

724J LOADER



JOHN DEERE

PARTS CATALOG

724J LOADER

PC9155 (Jan-07) English

Worldwide Construction and Forestry Division

Worldwide Edition
Litho in U.S.A. (Revised)
COPYRIGHT © 2007
DEERE & COMPANY
Moline, Illinois
All rights reserved

INTRODUCTION AND CUSTOMER INFORMATION

T196451A -UN-17NOV03



*LEFT SIDE VIEW OF JOHN DEERE 724J LOADER
(MANUFACTURED 2002-)*

TO THE CUSTOMER

THE PART NUMBERS IN THIS PARTS CATALOG WERE CORRECT AT THE TIME YOUR CATALOG WAS PUBLISHED. IT IS OUR POLICY TO CONSTANTLY IMPROVE OUR MACHINES, AND, THEREFORE, PART NUMBERS MAY CHANGE. WHEN ORDERING PARTS, VERIFY PART NUMBERS THROUGH YOUR DEALER.

(SPECIFICATIONS AND DESIGN SUBJECT TO CHANGE WITHOUT NOTICE)

SERIAL NUMBER LOCATION

EACH 724J LOADER MAY HAVE SIX SERIAL NUMBER PLATES: ONE FOR THE PRODUCT IDENTIFICATION NUMBER, ONE FOR THE TRANSMISSION, ONE FOR THE HYDRAULIC PUMP, ONE FOR THE ENGINE SERIAL NUMBER PLATE AND ONE FOR THE CAB.

THE PRODUCT IDENTIFICATION NUMBER PLATE IS LOCATED ON THE LEFT SIDE OF THE ENGINE FRAME NEAR THE HYDRAULIC OIL RESERVOIR.

THE TRANSMISSION SERIAL NUMBER PLATE IS LOCATED ON THE LOWER RIGHT-HAND SIDE OF THE REAR OF THE TRANSMISSION CASE.

THE HYDRAULIC PUMP SERIAL NUMBER PLATE IS LOCATED ON THE HYDRAULIC PUMP.

THE ENGINE SERIAL NUMBER PLATE IS LOCATED ON THE RIGHT SIDE OF THE ENGINE NEAR THE STARTER.

THE CAB SERIAL NUMBER IS LOCATED UNDER THE FLOORMAT INSIDE THE DOOR OF THE CAB.

THE AXLE SERIAL NUMBER PLATE IS LOCATED ON THE INPUT SIDE OF THE DIFFERENTIAL CASE.

LEFT SIDE AND RIGHT SIDE, FRONT AND REAR OF THE LOADER ARE VIEWED BY FACING IN THE DIRECTION OF LOADER FORWARD TRAVEL.

WHENEVER SERIAL NUMBERS ARE REQUIRED ON WARRANTY CLAIMS OR CORRESPONDENCE PERTAINING TO THIS PRODUCT, IT IS EXTREMELY IMPORTANT THAT ALL CHARACTERS BE FURNISHED. THIS POINT CANNOT BE OVEREMPHASIZED.

0001-3

724J LOADER

PRODUCT IDENTIFICATION NUMBER

T159798 -UN-26SEP02



T159798

1. DESIGNATES LOADER MANUFACTURER
2. DESIGNATES LOADER MODEL
3. DESIGNATES LOADER CONFIGURATION
4. DESIGNATES LOADER SERIAL NUMBER
5. DESIGNATES UNIT TYPE

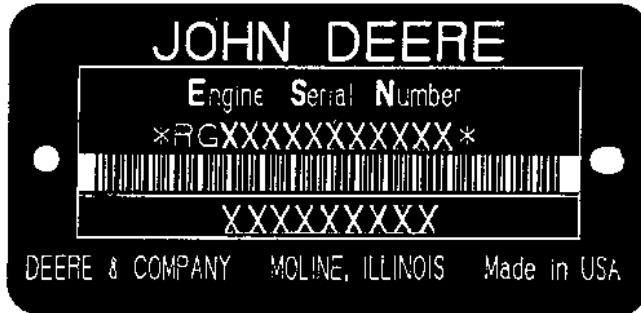
DW - JOHN DEERE DAVENPORT WORKS
724J
X STANDARD LOADER
ANYTHING ELSE IS DIFFERENT FROM STANDARD
123456
LOADER

000I-4

724J LOADER

TWO LINE BAR CODED ENGINE SERIAL NUMBER PLATE (LOCATED ON STARTER SIDE OF ENGINE)

RGP3513 -UN-01JAN94



RGP3513

FIRST LINE

RG - WATERLOO ENGINE WORKS

6

081 (8.1 LITERS)

H - AIR-TO-AIR

XXXXXX

SECOND LINE

6081HDW09

DEFINES

DESIGNATES ENGINE MANUFACTURER

DESIGNATES NUMBER OF CYLINDERS

DESIGNATES LITER DISPLACEMENT

DESIGNATES TYPE OF AIR INTAKE SYSTEM

DESIGNATES ENGINE SERIAL NUMBER

APPLICATION

724J

SERIAL NUMBER LISTING INFORMATION

SERIAL NUMBER INFORMATION IS LISTED TO SHOW ON WHICH MACHINES EACH PART CAN BE USED; FOR EXAMPLE:

- THE PART CAN BE USED ON ALL MACHINES.
- 000000- THE PART CAN BE USED ON ALL MACHINES BEGINNING WITH THE SERIAL NUMBER LISTED.
- 000000 THE PART CAN BE USED ON ALL MACHINES UP TO AND INCLUDING THE SERIAL NUMBER LISTED.
- 000000-000000 THE PART CAN BE USED ON ALL MACHINES BETWEEN AND INCLUDING THE SERIAL NUMBERS LISTED.

WHEN XXXXXX'S ARE LISTED IN PLACE OF A SERIAL NUMBER, A SERIAL NUMBER CHANGE WAS MADE BUT THE EXACT SERIAL NUMBER WAS NOT AVAILABLE WHEN THE CATALOG WAS PRODUCED.

DIRECTION ARROW

ARROWS ARE USED WITH ILLUSTRATIONS TO INDICATE THE FRONT OF THE UNIT. "RIGHT-HAND" AND "LEFT-HAND" SIDES ARE DETERMINED BY FACING IN THE DIRECTION OF MACHINE FORWARD TRAVEL.

EXCEPTION: FOR ALL BACKHOE PARTS, "RIGHT-HAND" AND "LEFT-HAND" SIDES, "FRONT" AND "REAR" ARE DETERMINED WHEN SEATED FOR BACKHOE OPERATION.

BOX-ENCLOSED ILLUSTRATIONS

A KEY NUMBER, SHOWN IN THE PARTS LIST, IS ASSIGNED TO A BOX ENCLOSING ALL PARTS SOLD AS A SERVICE ASSEMBLY.

COMPLETE GOODS LISTINGS

COMPLETE GOODS ARE LISTED IN BOLD FACE TYPE. ORDER SEPARATELY. DO NOT INCLUDE ON REPLACEMENT PARTS ORDER.

SI UNITS OF MEASURE

METRIC DIMENSIONS ARE GIVEN, WHERE APPLICABLE, THROUGHOUT THIS PARTS CATALOG.

CHANGE INDICATOR LINE (MICROFICHE CATALOGS ONLY)

CHANGES AFFECTING THE ORDERING OF PARTS ARE IDENTIFIED BY VERTICAL LINES MARKED IN THE LEFT-HAND MARGIN OF REVISED PARTS LISTING IMAGES. A LINE IS ALSO AT THE LEFT-HAND EDGE OF THE SAME PART NUMBER IN THE NUMERICAL INDEX TO SHOW THE LOCATION OF REVISED INFORMATION.

REMARKS AND ABBREVIATIONS

THE FOLLOWING REMARKS AND ABBREVIATIONS MAY APPEAR THROUGHOUT THE PARTS CATALOG. REFER TO THE FOLLOWING CHART FOR TRANSLATIONS TO LANGUAGES OTHER THAN ENGLISH.

REMARKS AND ABBREVIATIONS

TX1007193 -UN-04MAY06

PHRASE	ENGLISH	FRANCAIS	DEUTSCH	ITALIANO	ESPAÑOL	SVENSKA
ALSO ORDER, ORD W/	Also order	Commander aussi	Ebenso bestellen	Ordinare anche	Pedir también	Beställ även
AMP	Ampere	Ampère	Ampere	Ampere	Amperio	Ampere
APPL, APPL ONLY	This application only	Uniquement pour cette utilisation	Nur für diese Anwendung	Solo per questa applicazione	Solo para este propósito	Endast för denna användning
AR	As required	Selon le besoin	Nach Bedarf	Secondo necessità	Según necesidad	Vid behov
ASSY	Complete assembly	Ensemble complet	Kompl.-Zusammenbau	Gruppo completo	Montaje completo	Komplett montering
CA, CONVENIENCE ASSY	Convenience assembly	Ensemble convenance	Komfort-Zusammenbau	Montaggio pratico	Montaje de conveniencia	Lämplig montering
CCW	Counter-clockwise	Sens anti-horaire	Gegen Uhrzeigersinn	Senso antiorario	A la izquierda	Moturs
COMPLETE	Complete	Complet	Vollständig	Completo	Completo	Fullständig
COMPLETE GOODS	Complete goods	Compléter marchandises	Vollst. Waren	Merci complete	Mercancías completas	Kompleta varor
CTL CUT TO LENGTH	Cut to length	Couper à la longueur	Auf Länge zurechtschneiden	Tagliare alla lunghezza	Corte a la longitud	Skära till längd
CW	Clockwise	Sens horaire	Im Uhrzeigersinn	In senso orario	A la derecha	Medurs
FOR	For	Pour	Für	Per	Para	För
FRONT	Front	Avant	Vorn	Anteriore	Frente	Fram
GAS	Gasoline	Essence	Benzin	Benzina	Gasolina	Bensin
HP	Horsepower	Puissance en cv	Leistung	Potenza	Potencia	Hästkraft
HFWD	Hydraulic Front-wheel Drive	Traction Avant Hydraulique	Hydraulischer Vorderradantrieb	Trazione Anteriore Idraulica	Tracción Delantera Hidraulica	Hydraulisk Framhjulsdrift
HS, HEAD MARKED	High strength, head marked	Haute résistance, tête marquée	Hochfest, vorn gekennzeichnet	Contrassegnato in testa, ad alta resistenza	Alta fuerza, marca en cabeza	Hög styrka, huvudmärkt
ID	Inside diameter	Diamètre intérieur	Innendurchmesser	Diametro interno	Diá. interior	Innerdiameter
INCH	Inch	Pouce	In.	Pollice	Pulg.	Tum
INCL KEYS	Includes keys...	Comprend les positions...	Einschließlich Schlüssel...	Include le chiavette...	Incluye posiciones...	Inklusive nycklar...
INCL, INCLUDES	Includes...	Comprend...	Enthält...	Include...	Incluye...	Inkluderar...
INCLUDES PARTS/ ITEMS MARKED	Includes parts/items marked...	Comprend les pièces/articles marqués...	Enthält gekennzeichnete Teile/Pos. ...	Include i pezzi e gli elementi contrassegnati...	Incluye piezas marcadas...	Inkluderar markerade delar/artiklar...
INNER	Inner	Intérieur	Innerer	Interno	Interno	Inre, invändig
KIT	Kit	Kit	Kit	Kit	Juego	Sats
L	Number of links	Nombre de maillons	Anzahl der Glieder	Numero di maglie	Nº de eslabones	Antal länkar
LGTH	Length	Longueur	Länge	Lunghezza	Longitud	Längd
LGP	Low Ground Pressure	Faible Pression Au Sol	Niederer Bodendruck	Bassa Pressione Sul Suelo	Baja Presion Sobre El Suelo	Laagt Marktryck
LH	Left-hand	Gauche	Links	Sinistra	Izquierda	Vänster
LT	Long Track	Chenille Longue	Mit Langem Laufwerk	Cingolo Lungo	Cadena Largo	Laangt Larvband
LOW, LOWER	Lower	Inférieur	Unterer	Inferiore	Inferior	Nedre
MAKE FROM, MF MARKED	Make from Marked	Faireavec Marqué	Herstellen von Markiert	Fabbricare da Contrassegnato	Hacer de Marcado	Tillverka av Märkt

TX1007193

REMARKS AND ABBREVIATIONS

TX1007195

-UN-04MAY06

PHRASE	ENGLISH	FRANCAIS	DEUTSCH	ITALIANO	ESPAÑOL	SVENSKA
MATCHED SET	Matched set	Ensemble assorti	Passender Satz	Set abbinato	Sistema emparejado	Anpassad sats
MFWD	Mechanical Front-Wheel Drive	Pont Avant	Allradantrieb	Ruota Motrice Meccanica Anteriore	Traccion Delantera Mecanica	Mekanisk Framhjulsdrift
NA, NOT USED THIS APPL	Not used this application	Ne sert pas pour cette application	In dieser Anwendung nicht benutzt	Non usato in questa applicazione	No se usa en esta aplicación	Ej använd i detta sammanhang
NLA	No longer available	Epuisé	Nicht mehr lieferbar	Non più disponibile	Descontinuado	Ej längre tillgänglig
NSEP	Not supplied separately	Non livré séparément	Nicht einzeln lieferbar	Non fornito separatamente	No se suministra por separado	Kan ej erhållas separat
OD	Outside diameter	Diamètre extérieur	Außendurchmesser	Diametro esterno	Diá. exterior	Ytterdiameter
OPTIONAL	Optional	En option	Wahlweise	Opzionale	Opcional	Valfri
OR	Or	Ou	Oder	Oppure	O	Eller
ORD, ORDER	Order	Commander	Bestellen	Ordinare	Pídase	Order
OS	Oversize	Sur-dimension	Übergröße	Maggiorato	Sobretamaño	Överdimension
OUTER	Outer	Externe	Äußerer	Esterno	Externo	Yttre, utvändig
PKG, PACKG	Package, Packet of	Emballage, paquet de	Verpackung, verpackt mit	In confezione da	Paquete de	I sats; paket
PTO	Power Take Off	Prise De Force	Zapfwelle	Presa Di Forza	Toma De Fuerza	Kraftuttag
RATIO	Ratio	Rapport	Übersetzungsverhältnis	Rapporto	Índice	Förhållande
REAR	Rear	Arrière	Hinten	Posteriore	Trasero	Bak; bakre
REMAN	Remanufactured	Echange Standard	Generalveberholt	Refatto	Refabricador por	Renoverad
REPL	Replaces	Remplace	Ersetzt	Sostituisce	Sustituye	Ersätter
RH	Right-hand	Droit	Rechts	Destra	Derecha	Höger
SN	Serial number	Numéro de série	Seriennummer	Numero di serie	Nº de serie	Seriennummer
STD	Standard	Standard	Standard	Standard	Normal	Standard
SUB	Replaced by	Remplacé par	Ersetzt durch	Sostituito da	Sustituido por	Ersatt med
SUB COMPONENTS	Substitute components (of the kit or assy)	Substituer les composants (du kit ou de l'ensemble)	Komponenten ersetzen (des Kits oder der Baugruppe)	Sostituire i componenti (del kito del gruppo)	Sustituir los componentes	Ersätta komponenterna (i satsen eller monteringen)
SUB FOR	Substitutes for	Remplace	Ersatz für	Sostituisce	Sustitución para	Ersätter
TEETH, Z	Number of gear teeth	Nombre de dents d'engrenages	Zahl der Zahnradzähne	Numero di denti dell'ingranaggio	Nº de dientes de engranaje	Antal redskapständer
TK	Thickness	Épaisseur	Stärke	Spessore	Espesor	Tjocklek
UP, UPPER	Upper	Supérieur	Oberer	Superiore	Superior	Övre
US	Undersize	Sous-dimension	Untergröße	Minorato	Subtamaño	Underdimension
USE WITH	Use with	À utiliser avec	Verwenden mit	Usare con	Usar con	Använd med
USE UNTIL EXHAUSTED	Use until exhausted	Utilisation jusqu'à épuisé	Verwenden, bis erschöpft	Usare fino all'esaurimento	Usar hasta agotar	Använda till uttömd
W/	With	Avec	Mit	Con	Con	Med; inklusive
W/O	Without	Sans	Ohne	Senza	Sin	Utan; exklusive
WHOLE GOODS	Whole goods	Marchandises entières	Vollständige Waren	Merci intere	Mercancías enteras	Hela varor
XLT	Extra Long Track	Chenille Extra Longue	Mit Extra Langem Laufwerk	Cingolo Extra Lungo	Cadena Extra Larga	Extra Laangt Larvband
VEC	Vehicle Electronic Controller	Controlleur Electronique Du Vehicule	Elektronisches Steuergeraet Des Fahrzeugs	Unità Di Comando Elettronica Del Veicolo	Unidad de Control Electronico del Vehiculo	Elektronisk Fordonsstyrenhet
VLC	Vehicle Load Center	Coffret De Repartition Du Vehicule	Verteilerstation Des Fahrzeugs	Centro Di Carico Del Veicolo	Centro De Cargas Del Vehiculo	Fordonets Elcentral

TX1007195

ALPHABETICAL INDEX

PAGE

PAGE

A

<p>A/C AND HEATER BLOWER SWITCH.....1674-35</p> <p>A/C AND HEATER BLOWER WIRING HARNESS.....1674-35</p> <p>A/C AND HEATER THERMOSTAT SWITCH1830-3A</p> <p>A/C BLOWER MOTOR AND SWITCH.....1830-3A</p> <p>A/C COMPRESSOR.....1830-4</p> <p>A/C COMPRESSOR BRACKET.....1830-4</p> <p>A/C COMPRESSOR COMPONENTS.....1830-6</p> <p>A/C COMPRESSOR DRIVE BELT.....1830-4</p> <p>A/C COMPRESSOR HARDWARE KIT.....1830-8</p> <p>A/C COMPRESSOR HOSES.....1830-4</p> <p>A/C COMPRESSOR MANIFOLD.....1830-6</p> <p>A/C COMPRESSOR REPAIR KIT.....1830-6</p> <p>A/C CONDENSOR.....1830-10</p> <p>A/C CONDENSOR HOSES.....1830-10</p> <p>A/C RECEIVER DRYER.....1830-10</p> <p>A/C SHAFT SEAL KIT.....1830-7</p> <p>ACCESS PANEL.....1810-10</p> <p>ACCESS PLATFORM HANDRAILS.....1822-4</p> <p>ACCUMULATOR, BRAKE.....1064-6</p> <p>ACCUMULATOR, RIDE CONTROL.....3160-68</p> <p>ACTUATOR, RETURN-TO-DIG (SER. NO. -589893).....3166-2</p> <p>ACTUATOR, RETURN-TO-DIG (SER. NO. 589894-).....3166-3A</p> <p>ADAPTER, OIL COOLER.....0419-1</p> <p>ADAPTER, OIL COOLER BYPASS.....0419-2</p> <p>ADD JOYSTICK TO JOYSTICK CONVERSION KIT (SER. NO. 590068-).....3160-60</p> <p>ADJUSTER, LUMBAR.....1821-3A</p> <p>AIR CLEANER.....0520-2</p> <p>AIR CLEANER FILTER.....0520-2</p> <p>AIR CLEANER HOSE.....0520-2</p> <p>AIR CLEANER RESTRICTION SENSOR.....0520-2</p> <p>AIR CONDITIONER FIELD KIT.....1830-4</p> <p>AIR CONDITIONING DUCTS.....1830-12</p> <p>AIR HEATER, ENGINE.....0505-5</p> <p>AIR PRECLEANER.....0520-2</p> <p>AIR PRECLEANER KIT.....0520-2</p> <p>ALARM, BACK-UP.....2004-6</p> <p>ALTERNATOR (55 AMP).....1672-2</p> <p>ALTERNATOR (80 AMP).....1672-6</p> <p>ALTERNATOR BELT, HARSH ENVIRONMENT (100 AMP).....1672-10</p> <p>ALTERNATOR CAPACITOR (55 AMP).....1672-2</p> <p>ALTERNATOR DRIVE BELT (55 AMP).....1672-2</p> <p>ALTERNATOR DRIVE BELT (80 AMP).....1672-6</p> <p>ALTERNATOR MOUNTING BRACKETS (55 AMP).....1672-2</p> <p>ALTERNATOR MOUNTING BRACKETS (80 AMP).....1672-6</p> <p>ALTERNATOR REAR COVER (55 AMP).....1672-4</p> <p>ALTERNATOR REAR COVER (80 AMP).....1672-8</p> <p>ALTERNATOR, HARSH ENVIRONMENT (100 AMP).....1672-10</p> <p>ANTENNA, RADIO (SER. NO. -590067).....2001-2</p> <p>ANTENNA, RADIO (SERIAL NO.600741-).....2001-3C</p> <p>ANTENNA, RADIO (SER.NO. 590068-600740).....2001-3A</p>	<p>ARM REST.....1821-2</p> <p>ARM REST (SER. NO. 590068-).....1816-3A</p> <p>ARM REST (USE ONLY WITH TWO-LEVER CONTROLLERS)(SER. NO. -590067).....1816-2</p> <p>ARM REST, WRIST (SER. NO. 590068-).....1816-3A</p> <p>ARM, ROCKER.....0402-4</p> <p>ARM, WIPER (FRONT).....1810-20</p> <p>ARMREST KIT.....1821-2</p> <p>ASH TRAY.....2006-2</p> <p>ASSEMBLY, CLUTCH (STARTER) (24V).....0422-2</p> <p>ASSEMBLY, FIVE PIECE WHEEL RIM (25 X 17) (25 X 19.5).....0110-4</p> <p>ASSEMBLY, U-JOINT (SERIAL NO. 590068-).....3160-50</p> <p>AUX. CONTROLLER (FOR USE WITH SINGLE LEVER CONTROLLER (SER. NO. -590067).....3160-56</p> <p>AUX. TO TWO LEVER KIT (SER. NO. -590067).....3160-58</p> <p>AUXILIARY CONTROLLER DETENT KIT.....3160-40</p> <p>AUXILIARY CUTTING EDGE, BUCKET.....3102-1</p> <p>AUXILIARY DRIVE COVER.....4151-2</p> <p>AUXILIARY DRIVE HOUSING.....4151-2</p> <p>AUXILIARY DRIVE OIL LINE.....4151-2</p> <p>AUXILIARY JOY STICK PILOT CONTROLLER COMPONENTS.....3160-62</p> <p>AUXILIARY JOY STICK PILOT CONTROLLER LEVER.....3160-62</p> <p>AUXILIARY JOY STICK PILOT CONTROLLER REPAIR KIT.....3160-62</p> <p>AUXILIARY JOY STICK PILOT CONTROLLER SEAL KIT.....3160-62</p> <p>AUXILIARY SINGLE LEVER CONTROLLER (SER. NO. -590067).....3160-58</p> <p>AUXILIARY SINGLE LEVER CONTROLLER (SER. NO. 590068-).....3160-60</p> <p>AUXILIARY SINGLE LEVER CONTROLLER COMPONENTS.....3160-40</p> <p>AUXILIARY SINGLE LEVER CONTROLLER FITTINGS (SER. NO. 590068-).....3160-60</p> <p>AUXILIARY SINGLE LEVER CONTROLLER HOSE (SER. NO. -590067).....3160-58</p> <p>AUXILIARY SINGLE LEVER CONTROLLER MOUNTING PLATE(SER. NO. -590067).....3160-58</p> <p>AUXILIARY SINGLE LEVER CONTROLLER REPAIR KIT.....3160-40</p> <p>AUXILIARY SINGLE LEVER PILOT CONTROLLER FITTINGS (SER. NO. -590067).....3160-58</p> <p>AUXILIARY VALVE SECTION.....3160-10</p> <p>AUXILIARY VALVE SECTION.....3160-12</p> <p>AUXILIARY VALVE SECTION COMPONENTS.....3160-12</p> <p>AXLE ASSEMBLY, FRONT.....0210-34</p> <p>AXLE ASSEMBLY, REAR.....0210-36</p> <p>AXLE BREATHER KIT.....0260-7</p> <p>AXLE BREATHERS, HOSES AND FITTINGS.....0260-14</p> <p>AXLE COOLER, HOSES AND FITTINGS.....0511-4</p> <p>AXLE COOLER, HOSES AND FITTINGS.....0511-6</p> <p>AXLE DISCONNECT LINE (SER. NO. -XXXXXX).....0260-8</p> <p>AXLE DISCONNECT LINE (SERIAL NO. 590068-).....3160-76</p> <p>AXLE DISCONNECT VALVE (SERIAL NO. 590068-).....3160-76</p> <p>AXLE DRIVE SHAFTS.....0325-4</p> <p>AXLE HOUSING.....0210-24</p> <p>AXLE HOUSING.....0210-26</p>
--	---

ALPHABETICAL INDEX - CONTINUED

	PAGE		PAGE
AXLE HOUSING AND SHAFT (YZ120720).....	0210-42	BLOCK FITTINGS, CYLINDER.....	0404-2
AXLE HOUSING AND SHAFT (YZ120721).....	0210-44	BLOCK, ENGINE SHORT.....	0404-4
AXLE INPUT DISCONNECT.....	0210-30	BLOWER MOTOR AND SWITCH, HEATER AND A/C.....	1830-3A
AXLE MOUNTING, REAR (SN XXXXXX -).....	0210-20	BLOWER SWITCH, A/C AND HEATER.....	1674-35
AXLE OIL RECIRCULATION PUMP AND MOTOR.....	0260-22	BOOM CYLINDER	
AXLE RECIRCULATION HOSES AND FITTINGS.....	0260-20	(SERIAL NO. - XXXXXX).....	3165-2
AXLE SHAFT.....	0210-24	BOOM CYLINDER	
AXLE SHAFT.....	0210-26	(SERIAL NO. - XXXXXX).....	3165-4
AXLE STOP (9 DEGREE).....	0210-22	BOOM CYLINDER	
AXLE, FRONT.....	0201-2	(SERIAL NO. XXXXXX -).....	3165-6
AXLE, REAR.....	0201-2	BOOM CYLINDER	
		(SERIAL NO. XXXXXX -).....	3165-8
B		BOOM CYLINDER BARREL	
BACK-UP ALARM.....	2004-6	(SERIAL NO. - XXXXXX).....	3165-2
BACK, SEAT.....	1821-3A	BOOM CYLINDER BARREL	
BACKREST CUSHION.....	1821-2	(SERIAL NO. - XXXXXX).....	3165-4
BARREL, BOOM CYLINDER		BOOM CYLINDER BARREL	
(SERIAL NO. - XXXXXX).....	3165-2	(SERIAL NO. XXXXXX -).....	3165-6
BARREL, BOOM CYLINDER		BOOM CYLINDER BARREL	
(SERIAL NO. - XXXXXX).....	3165-4	(SERIAL NO. XXXXXX -).....	3165-8
BARREL, BOOM CYLINDER		BOOM CYLINDER FITTINGS.....	3165-14
(SERIAL NO. XXXXXX -).....	3165-6	BOOM CYLINDER HOSE TO CONTROL VALVE	
BARREL, BOOM CYLINDER		(FOUR SPOOL).....	3160-26
(SERIAL NO. XXXXXX -).....	3165-8	BOOM CYLINDER HOSE TO CONTROL VALVE	
BARREL, BUCKET CYLINDER		(THREE SPOOL).....	3160-24
(SERIAL NO. - XXXXXX).....	3165-2	BOOM CYLINDER HOSE TO CONTROL VALVE	
BARREL, BUCKET CYLINDER		(TWO SPOOL).....	3160-22
(SERIAL NO. - XXXXXX).....	3165-4	BOOM CYLINDER HYDRAULIC FITTINGS.....	3165-14
BARREL, BUCKET CYLINDER		BOOM CYLINDER LOCK.....	3140-4
(SERIAL NO. - XXXXXX).....	3165-4	BOOM CYLINDER PIN.....	3140-2
BARREL, BUCKET CYLINDER		BOOM CYLINDER PIN.....	3140-3A
(SERIAL NO. XXXXXX -).....	3165-6	BOOM CYLINDER PINS.....	3165-14
BARREL, BUCKET CYLINDER		BOOM CYLINDER REPAIR KIT	
(SERIAL NO. XXXXXX -).....	3165-8	(SERIAL NO. - XXXXXX).....	3165-2
BASE, FUEL FILTER		BOOM CYLINDER REPAIR KIT	
(ESN 249017-) (W/RE522687 & RE522688).....	0420-4	(SERIAL NO. - XXXXXX).....	3165-4
BASE, OIL FILTER.....	0407-6	BOOM CYLINDER REPAIR KIT	
BATTERY.....	1671-2	(SERIAL NO. XXXXXX -).....	3165-6
BATTERY CABLE.....	1671-2	BOOM CYLINDER REPAIR KIT	
BATTERY CLAMP.....	1671-2	(SERIAL NO. XXXXXX -).....	3165-8
BATTERY COVERS.....	1913-4	BOOM CYLINDER ROD	
BATTERY DISCONNECT CABLE.....	1671-3	(SERIAL NO. - XXXXXX).....	3165-2
BATTERY DISCONNECT SWITCH.....	1671-3	BOOM CYLINDER ROD	
BEARING KIT, ENGINE SPEED CONTROL		(SERIAL NO. - XXXXXX).....	3165-4
(SERIAL NO. -590067).....	0515-2	BOOM CYLINDER ROD	
BEARING, DRIVELINE/PARKING BRAKE.....	1115-2	(SERIAL NO. XXXXXX -).....	3165-6
BEARING, DRIVELINE/PARKING BRAKE.....	1115-4	BOOM CYLINDER ROD	
BEARING, PISTON CONNECTING ROD.....	0403-1	(SERIAL NO. XXXXXX -).....	3165-8
BEARINGS, ENGINE MAIN.....	0401-2	BOOM CYLINDER ROD GUIDE.....	3165-12
BELT TENSIONER		BOOM SECTION VALVE.....	3160-10
(55 AMP).....	1672-2	BOOM, LOADER.....	3140-6
BELT TENSIONER		BOOM, WASTE HANDLER LOADER.....	3140-7A
(80 AMP).....	1672-6	BOOT	
BELT, HARSH ENVIRONMENT ALTERNATOR (100		(SERIAL NO. 590068-).....	3160-50
AMP).....	1672-10	BOOT, TWO LEVER PILOT CONTROLLER.....	3160-32
BELT, SEAT, REPLACEMENT		BOTTOM FUEL TANK GUARD.....	1746-4
(THREE INCHES (76MM) WIDE).....	1821-1	BOTTOM GUARD, FRONT.....	1740-3A
BELT,A/C COMPRESSOR DRIVE.....	1830-4	BOTTOM GUARD, FRONT.....	1746-2
BELT,ALTERNATOR DRIVE		BOTTOM GUARD, FRONT.....	1746-3A
(55 AMP).....	1672-2	BOTTOM GUARD, TRANSMISSION.....	1740-3A
BELT,ALTERNATOR DRIVE		BOTTOM GUARD, TRANSMISSION.....	1746-2
(80 AMP).....	1672-6	BOTTOM GUARD, TRANSMISSION.....	1746-3A
BEVEL DRIVE GEAR.....	0210-2	BRACKET,A/C COMPRESSOR.....	1830-4
BLADE, WIPER.....	1810-18	BRACKET, BRAKE PEDAL.....	1062-2
BLADE, WIPER		BRACKET, BRAKE PEDAL.....	1062-3A
(FRONT).....	1810-20	BRACKET, FIRE EXTINGUISHER.....	2003-2
BLADE,FAN.....	0512-2	BRACKET, FUEL FILTER(ESN -249016).....	0420-2

000I-10

724J LOADER

ALPHABETICAL INDEX - CONTINUED

	PAGE		PAGE
BRACKET, LICENSE PLATE	1314-1	BUCKET CYLINDER HOSE TO CONTROL VALVE	
BRACKET, MUFFLER.....	0530-2	(FOUR SPOOL).....	3160-26
BRACKET, RETURN-TO-DIG COMPONENT		BUCKET CYLINDER HOSE TO CONTROL VALVE	
MOUNTING (SER. NO. -589893).....	3166-2	(THREE SPOOL).....	3160-24
BRACKET, STEERING VALVE	0962-4	BUCKET CYLINDER HOSE TO CONTROL VALVE	
BRACKET, THREE SPOOL CONTROL VALVE		(TWO SPOOL)	3160-22
PLUMBING MOUNTING	3160-24	BUCKET CYLINDER HYDRAULIC FITTINGS	3165-14
BRACKET, TWO SPOOL CONTROL VALVE		BUCKET CYLINDER PIN	3140-2
PLUMBING MOUNTING	3160-22	BUCKET CYLINDER PIN	3140-3A
BRACKETS, SEAT	1821-2	BUCKET CYLINDER PIN TO LOADER PIVOT LINK	3140-8
BRACKETS, WIPER MOUNTING	1810-24	BUCKET CYLINDER PINS.....	3165-14
BRAKE ACCUMULATOR.....	1064-6	BUCKET CYLINDER REPAIR KIT	
BRAKE ACCUMULATOR HOSES	1064-6	(SERIAL NO. - XXXXXX)	3165-2
BRAKE LINES		BUCKET CYLINDER REPAIR KIT	
(SER. NO. -590067)	1063-2	(SERIAL NO. - XXXXXX)	3165-4
BRAKE LINES		BUCKET CYLINDER REPAIR KIT	
(SER. NO. 590068-)	1063-4	(SERIAL NO. XXXXXX -)	3165-6
BRAKE LINES		BUCKET CYLINDER REPAIR KIT	
(SER. NO. 590068-)	1063-6	(SERIAL NO. XXXXXX -)	3165-8
BRAKE PEDAL	1062-2	BUCKET CYLINDER ROD	
BRAKE PEDAL	1062-3A	(SERIAL NO. - XXXXXX)	3165-2
BRAKE PEDAL BRACKET	1062-2	BUCKET CYLINDER ROD	
BRAKE PEDAL BRACKET	1062-3A	(SERIAL NO. - XXXXXX)	3165-4
BRAKE PLATES	1011-2	BUCKET CYLINDER ROD	
BRAKE VALVE	1062-2	(SERIAL NO. XXXXXX -)	3165-6
BRAKE VALVE	1062-3A	BUCKET CYLINDER ROD	
BRAKE VALVE FITTINGS.....	1062-2	(SERIAL NO. XXXXXX -)	3165-8
BRAKE VALVE FITTINGS.....	1062-3A	BUCKET CYLINDER ROD GUIDE	3165-10
BRAKE VALVE HYDRAULIC HOSES		BUCKET CYLINDER SEAL	3140-2
(SER. NO. -590067)	1063-2	BUCKET CYLINDER SEAL	3140-3A
BRAKE VALVE HYDRAULICS		BUCKET LINK PIN TO LOADER PIVOT LINK	3140-8
(SER. NO. 590068-)	1063-4	BUCKET TEETH, LOADER	3102-4
BRAKE VALVE HYDRAULICS		BUCKET VALVE SECTION.....	3160-10
(SER. NO. 590068-)	1063-6	BUCKET, LOADER (JAGZ).....	3102-3A
BRAKE VALVE SWITCH.....	1062-2	BUCKET, WASTE HANDLER	3102-6
BRAKE VALVE SWITCH.....	1062-3A	BUCKETS, LOADER.....	3102-2
BRAKE, PARKING	1115-2	BUSHING, CAMSHAFT	0402-8
BRAKE, PARKING	1115-4	BYPASS TUBES, OIL COOLER	0419-2
BRAKES	1011-2	BYPASS VALVE COMPONENTS, TRANSMISSION	
BRAKES, DUAL (YZ120724)	0210-51	THERMAL	0360-3A
BREAKER, CIRCUIT		BYPASS VALVE LINES, TRANSMISSION.....	0360-2
(S.N. -590067).....	1674-37	BYPASS VALVE, OIL FILTER.....	0407-6
BREATHING, FRONT AXLE	0210-34		
BREATHING, REAR AXLE.....	0210-36	C	
BREATHING, AXLES	0260-14	C.C.U.	
BUCKET AUXILIARY CUTTING EDGE.....	3102-1	(SER. NO. -590075)	1674-42
BUCKET CUTTING EDGE	3102-2	CAB	1810-10
BUCKET CUTTING EDGE	3102-3A	CAB BACK PLATE	1810-15C
BUCKET CUTTING EDGE	3102-4	CAB CONTROL UNIT HOUSING	
BUCKET CUTTING EDGE	3102-6	(SN -590067).....	1674-8
BUCKET CYLINDER		CAB CONTROL UNIT HOUSING	
(SERIAL NO. - XXXXXX)	3165-2	(SN XXXXXX-).....	1674-9E
BUCKET CYLINDER		CAB CONTROL UNIT HOUSING	
(SERIAL NO. - XXXXXX)	3165-4	(SN 590068-XXXXXX).....	1674-9A
BUCKET CYLINDER		CAB CONTROL UNIT HOUSING	
(SERIAL NO. XXXXXX -)	3165-6	(SN 590068-XXXXXX)(CONTINUED).....	1674-9C
BUCKET CYLINDER		CAB DOOR	1810-12
(SERIAL NO. XXXXXX -)	3165-8	CAB DOOR HOLD OPEN LATCH	1810-10
BUCKET CYLINDER BARREL		CAB FLOOR MAT	1810-17
(SERIAL NO. - XXXXXX)	3165-2	CAB GLASS.....	1810-14
BUCKET CYLINDER BARREL		CAB LABELS AND DECALS	
(SERIAL NO. - XXXXXX)	3165-4	(S.N. -590067)	1322-4
BUCKET CYLINDER BARREL		CAB LABELS AND DECALS (S.N. 590068-).....	1322-5A
(SERIAL NO. XXXXXX -)	3165-6	CAB LEFT SIDE CONSOLE COVER	1810-4
BUCKET CYLINDER BARREL		CAB MONITOR	1676-1
(SERIAL NO. XXXXXX -)	3165-8		
BUCKET CYLINDER FITTINGS.....	3165-14		

ALPHABETICAL INDEX - CONTINUED

	PAGE		PAGE
CAB MONITOR CONSOLE (SER. NO. -590067)	1830-14	COLD WEATHER STARTING AID SWITCH	0505-6
CAB MONITOR CONSOLE (SER. NO. 590068-)	1830-15A	COLUMN, LOWER STEERING	0962-4
CAB MOUNTS (FRONT AND REAR)	1810-2	COLUMN, STEERING (SER. NO. -590067)	0962-2
CAB PEDESTAL	1810-15A	COLUMN, STEERING (SER. NO. 590068-)	0962-3A
CAB REAR COVER	1810-30	COMPARTMENT, LOAD CENTER (SN -590067)	1674-8
CAB ROOF, PLASTIC	1810-16	COMPARTMENT, LOAD CENTER (SN XXXXXX-)	1674-9E
CAB WIRING HARNESS (SN -590067)	1674-8	COMPARTMENT, LOAD CENTER (SN 590068-XXXXXX)	1674-9A
CAB WIRING HARNESS (SN XXXXXX-)	1674-9E	COMPARTMENT, LOAD CENTER (SN 590068-XXXXXX)(CONTINUED)	1674-9C
CAB WIRING HARNESS (SN 590068-XXXXXX)	1674-9A	COMPONENTS, HVAC MODULE	1830-3A
CAB WIRING HARNESS (CONTINUED) (SN 590068-XXXXXX)	1674-9C	COMPONENTS, REVERSE FAN DRIVE SOLENOID	0567-12
CABLE, BATTERY	1671-2	COMPONENTS, SINGLE LEVER PILOT CONTROLLER (SER. NO. -590067)	3160-46
CABLE, BATTERY DISCONNECT	1671-3	COMPONENTS, SINGLE LEVER PILOT (CTD.) CONTROLLER (SER. NO. -590067)	3160-48
CABLE, HEATER CONTROL	1830-2	COMPONENTS, VALVE, PIN DISCONNECT	3160-80
CABLE, LEFT HAND DOOR HOLD OPEN	1810-26	COMPONENTS, HYDRAULIC OIL PRESSURE REGULATOR VALVE (SERIAL NO. 590068-)	2160-16
CAM FOLLOWER	0402-8	COMPRESSOR COMPONENTS, A/C	1830-6
CAMSHAFT	0402-8	COMPRESSOR, A/C	1830-4
CAMSHAFT GEAR	0402-8	COMPUTER UNIT, CHASSIS (SER. NO. -590075)	1674-42
CANOPY PEDESTAL	1810-15A	CONDENSER, A/C	1830-10
CAP, FUEL TANK	0560-2	CONDITIONER, COOLANT	1369-8
CAP, MAIN BEARING	0404-2	CONSOLE COVER, CAB LEFT SIDE	1810-4
CAP, RADIATOR	0511-2	CONSOLE, LEFT HAND	1810-26
CAP, WINDOW WASHER TANK	1810-6	CONSOLE, MONITOR (SER. NO. -590067)	1830-14
CAPACITOR, ALTERNATOR (55 AMP)	1672-2	CONSOLE, MONITOR (SER. NO. 590068-)	1830-15A
CARRIER, PLANET PINION	0210-28	CONSOLE, RIGHT SIDE (SER. NO. 590068-)	1810-23C
CARRY, RETURN TO	3166-4	CONSOLE, RIGHT SIDE (SINGLE LEVER CONTROLLERS)(SERIAL NO. -590067)	1810-23A
CASE, DIFFERENTIAL (YZ120948)	0210-52	CONSOLE, RIGHT SIDE (TWO-LEVER) (SER. NO. -590067)	1810-22
CASE, DIFFERENTIAL (YZ121182)	0210-56	CONTOLLER, AUXILIARY SINGLE LEVER	3160-40
CASE, FRONT, DIFF LOCK, DIFFERENTIAL	0210-6	CONTROL KNOB, SEAT	1821-3A
CASSETTE PLAYER (SER. NO. -590067)	2001-2	CONTROL KNOB, SPIN CONTROL	1674-36
CASSETTE PLAYER (SERIAL NO.600741-)	2001-3C	CONTROL UNIT HOUSING, CAB (SN -590067)	1674-8
CD PLAYER (SER. NO. -590067)	2001-2	CONTROL UNIT HOUSING, CAB (SN XXXXXX-)	1674-9E
CD PLAYER (SER.NO. 590068-600740)	2001-3A	CONTROL UNIT HOUSING, CAB (SN 590068-XXXXXX)	1674-9A
CD PLAYER (SERIAL NO.600741-)	2001-3C	CONTROL UNIT HOUSING, CAB (SN 590068-XXXXXX)(CONTINUED)	1674-9C
CHARGE AIR COOLER	0511-2	CONTROL UNIT, ENGINE (SN -590067)	1674-8
CHASSIS COMPUTER UNIT (SER. NO. -590075)	1674-42	CONTROL UNIT, ENGINE (SN XXXXXX-)	1674-9E
CHROME EXHAUST PIPE	0530-2	CONTROL UNIT, ENGINE (SN 590068-XXXXXX)	1674-9A
CIRCUIT BREAKERS (S.N. -590067)	1674-37	CONTROL UNIT, ENGINE (SN 590068-XXXXXX)(CONTINUED)	1674-9C
CLAMP, BATTERY	1671-2	CONTROL UNIT, TRANSMISSION (SER. NO. -590075)	1674-43
CLAMP, EXHAUST	0530-2	CONTROL UNIT, TRANSMISSION (SN -590067)	1674-8
CLEANER, AIR	0520-2	CONTROL UNIT, TRANSMISSION (SN XXXXXX-)	1674-9E
CLUTCH ASSEMBLY (HIGH GEAR FORWARD CLUTCH)	0350-10		
CLUTCH ASSEMBLY (LOW RANGE FORWARD CLUTCH)	0350-12		
CLUTCH ASSEMBLY (REVERSE CLUTCH)	0350-14		
CLUTCH ASSEMBLY (1ST GEAR)	0350-4		
CLUTCH ASSEMBLY (2ND GEAR)	0350-6		
CLUTCH ASSEMBLY (3RD GEAR)	0350-8		
CLUTCH ASSEMBLY (STARTER) (24)	0422-2		
COAT HOOK	1810-1		
COLD WEATHER STARTIG AID	0505-6		

ALPHABETICAL INDEX - CONTINUED

	PAGE		PAGE
CONTROL UNIT, TRANSMISSION (SN 590068-XXXXXX).....	1674-9A	COOLANT TEMPERATURE SENSOR.....	1674-7
CONTROL UNIT, TRANSMISSION (SN 590068-XXXXXX)(CONTINUED).....	1674-9C	COOLER, AXLE.....	0511-4
CONTROL VALVE TRANSMISSION.....	0350-16	COOLER, AXLE.....	0511-6
CONTROL VALVE FITTINGS (4-SPOOL).....	3160-6	COOLER, CHARGE AIR.....	0511-2
CONTROL VALVE HOSE TO PILOT CONTROLLER (SERIAL NO. -590067).....	3160-66	COOLER, ENGINE OIL.....	0419-1
CONTROL VALVE MANIFOLD, TRANSMISSION.....	0350-19	COOLING FLUID, ENGINE.....	1369-11
CONTROL VALVE, LOADER (2-SPOOL).....	3160-2	COUNTERWEIGHT.....	1749-2
CONTROL VALVE, LOADER (3-SPOOL).....	3160-4	COVER KIT WITH DUST CAP.....	1369-10
CONTROL VALVE, LOADER (4-SPOOL).....	3160-6	COVER, AUXILIARY DRIVE.....	4151-2
CONTROL VALVES,STEERING AND LOADER HYDRAULIC PUMP.....	2160-4	COVER, CAB LEFT SIDE CONSOLE.....	1810-4
CONTROL, TEMPERATURE.....	1830-2	COVER, CAB REAR.....	1810-30
CONTROL,RADIO REMOTE (SER. NO. -590067).....	2001-2	COVER, DIPSTICK.....	0407-4
CONTROL,RADIO REMOTE (SER.NO. 590068-600740).....	2001-3A	COVER, FRESH AIR HOUSING.....	1810-30
CONTROL,RADIO REMOTE (SERIAL NO.600741-).....	2001-3C	COVER, GRILLE HOUSING.....	1921-2
CONTROLLER COMPONENTS, AUXILIARY JOY STICK PILOT.....	3160-62	COVER, HVAC, LEFT HAND CAB.....	1810-26
CONTROLLER, AUX. (FOR USE WITH SINGLE LEVER CONTROLLER (SER. NO. -590067).....	3160-56	COVER, INPUT (YZ120722).....	0210-46
CONTROLLER, AUXILIARY SINGLE LEVER (SER. NO. 590068-).....	3160-60	COVER, OIL COOLER.....	0419-1
CONTROLLER, ENGINE.....	0413-2	COVER, REAR, ALTERNATOR (55 AMP).....	1672-4
CONTROLLER, ENGINE.....	0413-4	COVER, ROCKER ARM.....	0402-2
CONTROLLER, JOYSTICK PILOT (SERIAL NO. 590068-).....	3160-50	COVER, STEERING COLUMN.....	0962-6
CONTROLLER, PILOT, TWO LEVER WITH DUAL AUXILIARY CONTROLLERS(SER.NO. -590067).....	3160-38	COVER, TIMING GEAR.....	0402-6
CONTROLLER, SINGLE LEVER (SER. NO. -590067).....	3160-46	COVER, TRANSMISSION.....	0350-29
CONTROLLER, SINGLE LEVER (CONTINUED) (SER. NO. -590067).....	3160-48	COVER, VALVE.....	0402-2
CONTROLLER, TWO LEVER PILOT.....	3160-32	COVER,DRIVE DAMPER.....	0350-42
CONTROLLER, TWO LEVER PILOT WITH AUX. (SERIAL NO. 590068-).....	3160-36	COVER,GEARBOX HOUSING.....	0350-27
CONTROLLER,AUXILIARY SINGLE LEVER (SER. NO. -590067).....	3160-58	COVER,TORQUE CONVERTER HOUSING.....	0350-40
CONVERSION KIT, ADD AUX. TO TWO LEVER (SER. NO. -590067).....	3160-58	COVERS, BATTERY.....	1913-4
CONVERSION KIT, ADD JOYSTICK TO JOYSTICK (SER. NO. 590068-).....	3160-60	CRANKSHAFT.....	0401-2
CONVERSION KIT, JOYSTICK FNR.....	3160-64	CRANKSHAFT DAMPERS.....	0429-2
CONVERTER (24 TO 12 VOLT) (SER. NO. 590067-)(10 AMP).....	1674-10A	CRANKSHAFT PULLEY AND DAMPERS.....	0429-2
CONVERTER (24 TO 12 VOLT) (SER. NO. 590068-)(5 AMP).....	1674-10B	CUPHOLDER (SINGLE LEVER CONTROLLERS) (SERIAL NO. -590067).....	1810-23A
CONVERTER AND POWER PLUG (24 TO 12 VOLT) (SER. NO. -590067).....	1674-10	CUPHOLDER (TWO-LEVER) (SER. NO. -590067).....	1810-22
CONVERTER AND POWER PLUG (24 TO 12 VOLT) (SER. NO. 590068-)(10AMP).....	1674-10A	CUPHOLDER, RIGHT SIDE CONSOLE (SER. NO. 590068-).....	1810-23C
CONVERTER AND POWER PLUG (24 TO 12 VOLT) (SER. NO. 590068-)(5 AMP).....	1674-10B	CUSHION, BACKREST.....	1821-2
CONVERTER HARNESS (24 TO 12 VOLT) (SER. NO. -590067).....	1674-10	CUSHION, SEAT.....	1821-2
CONVERTER RELIEF VALVE.....	0350-20	CUSHIONS, STEERING, ENGINE FRAME.....	1740-4
CONVERTER, TORQUE.....	0350-18	CUTTING EDGE, BUCKET.....	3102-4
CONVERTER, 10 AMP.....	1674-40	CUTTING EDGE, BUCKET.....	3102-6
CONVERTER, 12 VOLT TO 24 VOLT.....	1674-40	CUTTING EDGE, INTERLOCKING.....	3102-3A
COOLANT CONDITIONER.....	1369-8	CUTTING EDGE, WASTE HANDLER BUCKET.....	3102-6
COOLANT HEATER, ENGINE.....	0505-2	CUTTING EDGE,BUCKET.....	3102-2
COOLANT OVERFLOW RESERVOIR.....	0511-2	CUTTING EDGE,BUCKET.....	3102-3A
		CUTTING EDGE,LOADER EDGE.....	3102-2
		CUTTING EDGE,LOADER EDGE.....	3102-3A
		CYLINDER BARREL (BOOM), HYDRAULIC.....	3165-12
		CYLINDER BARREL (BUCKET), HYDRAULIC.....	3165-10
		CYLINDER BLOCK FITTINGS.....	0404-2
		CYLINDER HEAD AND VALVES.....	0409-2
		CYLINDER HEAD GASKET.....	0409-2
		CYLINDER HEAD GASKET KIT.....	0452-2
		CYLINDER LINER.....	0403-1
		CYLINDER LOCK, BOOM.....	3140-4
		CYLINDER ROD GUIDE, BOOM.....	3165-12
		CYLINDER ROD GUIDE, BUCKET.....	3165-10
		CYLINDER-FITTING ROCK GUARD.....	1746-6
		CYLINDER, BOOM (SERIAL NO. - XXXXXX).....	3165-2
		CYLINDER, BOOM (SERIAL NO. - XXXXXX).....	3165-4
		CYLINDER, BOOM (SERIAL NO. XXXXXX -).....	3165-6
		CYLINDER, BOOM (SERIAL NO. XXXXXX -).....	3165-8

ALPHABETICAL INDEX - CONTINUED

	PAGE		PAGE
CYLINDER, BUCKET (SERIAL NO. XXXXXX -)	3165-6	DIFFERENTIAL, 4 PINION HYD ACTUATED	0210-16
CYLINDER, BUCKET (SERIAL NO. XXXXXX -)	3165-8	DIODES, VEC (S.N. 590068-)	1674-38
CYLINDER, REPLACEMENT BOOM	3165-12	DIPSTICK COVER	0407-4
CYLINDER, REPLACEMENT BUCKET	3165-10	DIPSTICK, ENGINE OIL	0407-3
CYLINDER, STEERING	0965-10	DISCONNECT VALVE, PIN	3160-80
CYLINDER, BUCKET (SERIAL NO. - XXXXXX)	3165-2	DISCONNECT, AXLE INPUT	0210-30
CYLINDER, BUCKET (SERIAL NO. - XXXXXX)	3165-4	DISKS, BRAKE	1011-2
D		DISPLAY UNIT, MONITOR	1676-1
DAMPER, DRIVE	0350-42	DOMELIGHT	1673-5
DAMPERS, CRANKSHAFT	0429-2	DOMELIGHT SWITCH, DOOR ACTIVATED	1810-8
DASH MODULE WIRING (SER. NO. -590067)	1674-24	DOOR	1674-11
DASH MODULE WIRING (SER. NO. 590068-)	1674-25A	DOOR	1810-12
DECALS AND LABELS (ENGLISH) (S.N. -590067)	1322-2	DOOR ACTIVATED DOMELIGHT SWITCH	1674-11
DECALS AND LABELS (ENGLISH) (S.N. 590068-)	1322-3A	DOOR GLASS	1810-12
DECALS AND LABELS (ENGLISH) (S.N. 590068-)	1322-3C	DOOR LIGHT SWITCH	1673-5
DECALS AND LABELS (FRENCH)	1322-7C	DOOR, ACCESS	1810-10
DECALS AND LABELS (FRENCH) (S.N. -590067)	1322-6	DOOR, ENGINE SIDE SHIELD	1910-4
DECALS AND LABELS (FRENCH) (S.N. -590067)	1322-8	DRAIN KIT, ENVIRONMENTAL	1369-12
DECALS AND LABELS (FRENCH) (S.N. 590068-)	1322-7A	DRIVE DAMPER	0350-42
DECALS AND LABELS (FRENCH) (S.N. 590068-)	1322-9A	DRIVE DAMPER COVER	0350-42
DECALS AND LABELS (SPANISH)	1322-10	DRIVE GEAR, OIL PUMP	0401-2
DECALS AND LABELS (SPANISH)	1322-12	DRIVE HI-BEAM LAMP	1673-2
DECALS AND LABELS, CAB (S.N. -590067)	1322-4	DRIVE HI-BEAM LAMP	1673-3A
DECALS AND LABELS, CAB (S.N. 590068-)	1322-5A	DRIVE SHAFT, ENGINE	0325-4
DEFROST SWITCH, FRONT WINDOW (SER. NO. -590067)	1674-1	DRIVE SHAFTS, AXLE DIFFERENTIALS	0325-4
DEFROST SWITCH, REAR WINDOW (SER. NO. -590067)	1674-1	DRIVE SHAFTS, TRANSMISSION	0325-4
DETENT KIT, AUXILIARY CONTROLLER	3160-40	DRIVE SHAFTS, TRANSMISSION TO DIFFERENTIALS(W/WITHOUT DISCONNECT)	0325-2
DIFF LOCK, OSCILLATING, REAR DIFFERENTIAL CASE	0210-4	DRIVE SHAFTS, TRANSMISSION TO ENGINE (WITH/WITHOUT DISCONNECT)	0325-2
DIFFERENTIAL CASE WITH DIFF LOCK, REAR	0210-4	DRIVE, FINAL (YZ120753)	0210-60
DIFFERENTIAL CASE 1400 SERIES (YZ120948)	0210-52	DRIVELINE BEARNG/PARKING BRAKE	1115-2
DIFFERENTIAL CASE, STANDARD AND LIMITED SLIP, REAR	0210-8	DRIVELINE BEARNG/PARKING BRAKE	1115-4
DIFFERENTIAL CASE, STANDARD, NON-OSCILLATING, FRONT	0210-10	DUAL BRAKES (YZ120724)	0210-51
DIFFERENTIAL DRIVE SHAFTS	0325-4	DUAL SINGLE LEVER CONTROLLER (SERIAL NO. -590067)	3160-58
DIFFERENTIAL LOCK LINE, FRONT & REAR	0260-4	DUAL SINGLE LEVER CONTROLLER (SERIAL NO. 590068-)	3160-60
DIFFERENTIAL LOCK LINES, FRONT AND REAR	0260-2	DUAL SINGLE LEVER CONTROLLER FITTINGS (SER. NO. -590067)	3160-58
DIFFERENTIAL LOCK SWITCH	0260-6	DUAL SINGLE LEVER CONTROLLER FITTINGS (SER. NO. 590068-)	3160-60
DIFFERENTIAL LOCK- 1400 CLOSED CIRCUIT	0210-58	DUAL SINGLE LEVER CONTROLLER MOUNTING PLATE AND HOSES (SER. NO. -590067)	3160-58
DIFFERENTIAL LOCK, FRONT	0210-6	DUAL SINGLE LEVER CONTROLLER MOUNTING PLATE AND HOSES (SER. NO. 590068-)	3160-60
DIFFERENTIAL SUPPORT LUBRICATION LINES	0210-18	DUCT, FRESH AIR	1830-2
DIFFERENTIAL SUPPORTS	0210-18	DUCTS, HEATING AND AIR CONDITIONING	1830-12
DIFFERENTIAL SUPPORTS AND LUBE LINES (SN XXXXXX-)	0210-20	DUST CAP WITH COVER KIT	1369-10
DIFFERENTIAL, LIMITED SLIP	0210-14		
DIFFERENTIAL, STANDARD	0210-12	E	
DIFFERENTIAL, STANDARD (YZ120983)	0210-54	ECU	0413-2
		ECU	0413-4
		ELECTRICAL CENTER, VEHICLE (S.N. 590068-)	1674-38
		ELEMENT, A/C FILTER	1830-2
		ELEMENT, ENGINE COOLANT HEATER	0505-2
		EMBLEM, SLOW MOVING VEHICLE	2008-2
		EMBLEM, SMV	2008-2
		ENGINE AIR HEATER	0505-5
		ENGINE COMPARTMENT STEP	1822-5A
		ENGINE CONTROL UNIT (SN -590067)	1674-8

ALPHABETICAL INDEX - CONTINUED

	PAGE		PAGE
ENGINE CONTROL UNIT (SN XXXXXX-)	1674-9E	F	
ENGINE CONTROL UNIT (SN 590068-XXXXXX)	1674-9A	FAN BLADE	0512-2
ENGINE CONTROL UNIT (SN 590068-XXXXXX)(CONTINUED)	1674-9C	FAN BLADE HUB	0512-2
ENGINE CONTROLLER	0413-2	FAN BLADE HUB SUPPORT	0512-2
ENGINE CONTROLLER	0413-4	FAN DRIVE HOSES (NON-REVERSING)	0567-6
ENGINE COOLANT HEATER	0505-2	FAN DRIVE HYDRAULIC PUMP (NON-REVERSING)	0567-4
ENGINE COOLANT TEMPERATURE SENDER	1674-7	FAN DRIVE MOTOR (NON-REVERSING)	0567-4
ENGINE COOLING FLUID	1369-11	FAN DRIVE MOTOR RELIEF VALVE (NON-REVERSING)	0567-4
ENGINE DRIVE SHAFT	0325-4	FAN DRIVE MOTOR SEAL KIT (NON-REVERSING)	0567-4
ENGINE FAN DRIVE HYDRAULIC HOSES (NON-REVERSING)	0567-6	FAN DRIVE PUMP SEAL KIT (NON-REVERSING)	0567-4
ENGINE FRAME	1740-2	FAN SHROUD	0511-2
ENGINE FRAME	1740-3A	FENDERS, FRONT (SERIAL NO. -588861)	1927-4
ENGINE FRAME LOCK BAR	1740-2	FENDERS, FRONT (FULL COVERAGE)(GRAY) (SERIAL NO. 588862-)	1927-5C
ENGINE FRAME LOCK BAR	1740-3A	FENDERS, FRONT(CHARCOAL) (SERIAL NO. XXXXXX-)	1927-5A
ENGINE FRAME PIN	1740-2	FENDERS, REAR	1927-2
ENGINE FRAME PIN	1740-3A	FENDERS, REAR FULL COVERAGE (SPRING PIN)	1927-6
ENGINE FRAME STEERING CUSHIONS	1740-4	FENDERS, REAR FULL COVERAGE (SPRING PIN)	1927-8
ENGINE FRAME WIRING HARNESS (SER. NO. -590067)	1674-22	FIELD	3160-65
ENGINE FRAME WIRING HARNESS (SER. NO. 590068-)	1674-23A	FIELD KIT	3160-65
ENGINE FRAME WIRING HARNESS (SER. NO. 590068-)	1674-23C	FIELD KIT, REVERSE FAN DRIVE	0567-8
ENGINE LIFT STRAPS	0409-4	FIFTH FUNCTION VALVE SECTION	3160-20
ENGINE MOUNTING SUPPORTS	0540-2	FILL TUBE, TRANSMISSION	0360-6
ENGINE OIL COOLER	0419-1	FILLER NECK, FUEL TANK	0560-2
ENGINE OIL DIPSTICK	0407-3	FILTER ELEMENT (ESN -249016)	0420-2
ENGINE OIL FILTER	0407-6	FILTER HEAD, HYDRAULIC	2160-8
ENGINE OIL PRESSURE SENSOR	1674-7	FILTER HEAD, HYDRAULIC	2160-9A
ENGINE OIL PUMP INTAKE	0407-2	FILTER HEAD, TRANSMISSION	0360-8
ENGINE OIL, TORQ GARD	1369-1	FILTER RESTRICTION SWITCH, TRANSMISSION OIL	0350-19
ENGINE OVERHAUL KIT	0404-6	FILTER, AIR	0520-2
ENGINE REBUILD GASKET KIT	0452-2	FILTER, ENGINE OIL	0407-6
ENGINE SHORT BLOCK	0404-4	FILTER, FINAL FUEL (ESN -249016)	0420-2
ENGINE SIDE SHIELD DOOR	1910-4	FILTER, FRESH AIR	1830-2
ENGINE SIDE SHIELD LATCH	1910-4	FILTER, FUEL (ESN -249016)	0420-2
ENGINE SIDE SHIELD LOCK	1910-4	FILTER, HVAC RECIRCULATION	1830-3A
ENGINE SIDE SHIELD PLATE	1910-4	FILTER, HYDRAULIC OIL	2160-8
ENGINE SIDE SHIELDS	1910-4	FILTER, HYDRAULIC OIL	2160-9A
ENGINE SPEED CONTROL PEDAL (SER. NO. 590076-)	0515-4	FILTER, OIL, TRANSMISSION	0360-8
ENGINE SPEED CONTROL PEDAL (SERIAL NO. -590067)	0515-2	FILTER, PRE- FUEL (ESN -249016)	0420-2
ENGINE SPEED CONTROL SENSOR (SER. NO. 590076-)	0515-4	FILTER, PRIMARY FUEL (ESN -249016)	0420-2
ENGINE SPEED CONTROL SENSOR (SERIAL NO. -590067)	0515-2	FILTER, AIR CLEANER	0520-2
ENGINE SPEED SENSOR	0402-7	FILTERS AND LINES, FUEL (ESN 249017-) (W/RE522687 & RE522688)	0420-4
ENGINE SUPPORT ISOLATOR	0540-2	FINAL DRIVE (YZ120753)	0210-60
ENGINE VENTILATOR OUTLET HOSE	0408-1	FINAL DRIVE SHAFT	0210-28
ENGINE WIRING HARNESS (SER. NO. -590067)	1674-22	FINAL FUEL FILTER (ESN -249016)	0420-2
ENVIRONMENTAL DRAIN KIT	1369-12	FIRE EXTINGUISHER	2003-2
ETHER START AID	0505-6	FIRE EXTINGUISHER BRACKET	2003-2
EXHAUST MANIFOLD GASKETS	0410-1	FITTING, CYLINDER BLOCK	0404-2
EXHAUST MANIFOLDS	0410-1	FITTINGS, AUXILIARY SINGLE LEVER CONTROLLER (SER. NO. -590067)	3160-58
EXHAUST PIPE	0530-2	FITTINGS, AUXILIARY SINGLE LEVER CONTROLLER (SER. NO. 590068-)	3160-60
EXHAUST PIPE, CHROME	0530-2	FITTINGS, CONTROL VALVE (4-SPOOL)	3160-6
EXTERNAL OIL LINES, TRANSMISSION	0360-2		
EXTINGUISHER, FIRE	2003-2		

ALPHABETICAL INDEX - CONTINUED

	PAGE		PAGE
FITTINGS, HYDRAULIC OIL PRESSURE REGULATOR VALVE (SER. NO. -590067)	2160-10	FRONT BOTTOM GUARD	1746-2
FITTINGS, HYDRAULIC OIL PRESSURE REGULATOR VALVE(SER. NO. 590068-)	2160-12	FRONT BOTTOM GUARD	1746-3A
FITTINGS, HYDRAULIC, BOOM CYLINDER	3165-14	FRONT CONSOLE HARNESS (SER. NO. -590067)	1674-24
FITTINGS, HYDRAULIC, BUCKET CYLINDER	3165-14	FRONT CONSOLE WIRING HARNESS (SER. NO. 590068-)	1674-25A
FITTINGS, SINGLE LEVER CONTROLLER (SER. NO. -590067)	3160-28	FRONT DASH MODULE WIRING HARNESS (SER. NO. -590067)	1674-24
FITTINGS, SINGLE LEVER CONTROLLER (SER. NO. -590067)	3160-42	FRONT DIFFERENTIAL CASE WITH DIFF LOCK, NON-OSCILLATING	0210-6
FITTINGS, SINGLE LEVER CONTROLLER (SER. NO. 590068-)	3160-44	FRONT DIFFERENTIAL LOCK LINE	0260-2
FITTINGS, SINGLE LEVER CONTROLLER W/AUX (SER. NO. -590067)	3160-52	FRONT FENDER SUPPORT (SERIAL NO. -588861)	1927-4
FITTINGS, SINGLE LEVER CONTROLLER W/AUX (SER. NO. 590068-)	3160-54	FRONT FENDER SUPPORT (CHARCOAL) (SERIAL NO. XXXXXX-)	1927-5A
FITTINGS, STEERING CYLINDER	0960-14	FRONT FENDER SUPPORT (FULL COVERAGE) (GRAY)(SERIAL NO. 588862-)	1927-5C
FITTINGS, STEERING VALVE	0962-8	FRONT FENDERS (SERIAL NO. -588861)	1927-4
FITTINGS, TRANSMISSION	0350-2	FRONT FENDERS (CHARCOAL) (SERIAL NO. XXXXXX-)	1927-5A
FITTINGS, TWO LEVER CONTROLLER (SER. NO. 590068-)	3160-30	FRONT FENDERS (FULL COVERAGE) (SERIAL NO. 588862-)	1927-5C
FITTINGS, TWO LEVER CONTROLLER W/AUX. (SER. NO. -590067)	3160-34	FRONT LIGHT	1673-2
FITTINGS, TWO LEVER PILOT CONTROLLER WITH AUX.(SERIAL NO. 590068-)	3160-36	FRONT LIGHT	1673-3A
FITTINGS,BOOM CYLINDER	3165-14	FRONT OIL SEAL	0402-6
FITTINGS,BUCKET CYLINDER	3165-14	FRONT STANDARD DIFFERENTIAL CASE, NON-OS CILLATING	0210-10
FITTINGS,HYDRAULIC OIL PRESSURE REGULATOR VALVE (SERIAL NO. XXXXXX-)	2160-13A	FRONT TURN AND MARKER LIGHT	1673-2
FITTINGS,HYDRAULIC OIL PRESSURE REGULATOR VALVE (SERIAL NO. XXXXXX-)	2160-17A	FRONT TURN AND MARKER LIGHT	1673-3A
FIVE PIECE WHEEL RIM ASSEMBLY (25 X 17) (25 X 19.5)	0110-4	FRONT WINDOW DEFROST SWITCH (SER. NO. -590067)	1674-1
FLASHER (S.N. -590067)	1674-37	FRONT WINDSHIELD WIPER	1810-20
FLAT FACE O-RING SEAL KIT	1369-9	FRONT, DIFF LOCK, DIFFERENTIAL CASE	0210-6
FLOOR MAT,CAB	1810-17	FUEL DOOR COVER	1921-2
FLUID, ENGINE COOLING	1369-11	FUEL FILL STRAINER	0560-4
FLUID,STARTING AID	0505-6	FUEL FILTER (ESN -249016)	0420-2
FLYWHEEL	0433-1	FUEL FILTER BRACKET (ESN -249016)	0420-2
FLYWHEEL RING GEAR	0433-1	FUEL FILTER LINES (ESN -249016)	0420-2
FNR CONVERSION KIT	3160-64	FUEL FILTERS AND LINES (ESN 249017-)(W/RE522687 & RE522688)	0420-4
FNR CONVERSION KIT	3160-65	FUEL HOSES	0560-2
FOLLOWER, CAMSHAFT	0402-8	FUEL INJECTION LINES	0413-2
FOUR SPOOL CONTROL VALVE HOSE	3160-26	FUEL INJECTION LINES	0413-4
FOUR SPOOL CONTROL VALVE PLUMBING MOUNTING PLATE	3160-26	FUEL INJECTION NOZZLE	0413-2
FRAME, ENGINE	1740-2	FUEL INJECTION NOZZLE	0413-4
FRAME, ENGINE	1740-3A	FUEL INJECTION PUMP CHECK VALVE	0413-2
FRAME, LOADER	3140-2	FUEL INJECTION PUMP CHECK VALVE	0413-4
FRAME, LOADER	3140-3A	FUEL INJECTION PUMP FLOW LIMITER VALVE	0413-2
FRENCH LABELS AND DECALS	1322-7C	FUEL INJECTION PUMP FLOW LIMITER VALVE	0413-4
FRESH AIR DUCT	1830-2	FUEL INJECTION PUMP GEAR	0413-2
FRESH AIR FILTER	1830-2	FUEL INJECTION PUMP GEAR	0413-4
FRESH AIR FILTER ELEMENT	1830-2	FUEL INJECTION PUMP HAND PRIMER	0413-2
FRESH AIR HOUSING COVER	1810-30	FUEL INJECTION PUMP HAND PRIMER	0413-4
FRONT & REAR DIFFERENTIAL LOCK LINE	0260-4	FUEL INJECTION PUMP OVERFLOW VALVE	0413-2
FRONT AND REAR WINDOW WASHER	1810-6	FUEL INJECTION PUMP OVERFLOW VALVE	0413-4
FRONT AND REAR WORK LAMP	1673-10	FUEL INJECTION PUMP POSITION SENSOR	0413-2
FRONT AXLE	0201-2	FUEL INJECTION PUMP POSITION SENSOR	0413-4
FRONT AXLE ASSEMBLY	0210-34	FUEL INJECTION PUMP PRESSURE LIMITER VALVE	0413-2
FRONT AXLE ASSEMBLY BREATHER	0210-34	FUEL INJECTION PUMP PRESSURE LIMITER VALVE	0413-4
FRONT AXLE CAPSCREWS	3140-2	FUEL INJECTION RAIL	0413-2
FRONT AXLE CAPSCREWS	3140-3A	FUEL INJECTION RAIL	0413-4
FRONT AXLE MOUNTING	3140-2	FUEL INJECTION SYSTEM	0413-2
FRONT AXLE MOUNTING	3140-3A	FUEL INJECTION SYSTEM	0413-4
FRONT BOTTOM GUARD	1740-3A	FUEL LEAK-OFF LINE TO RAIL	0413-2

ALPHABETICAL INDEX - CONTINUED

	PAGE		PAGE
FUEL LEAK-OFF LINE TO RAIL	0413-4	GUIDE ASSEMBLY	
FUEL MOISTURE SENSOR		(SERIAL NO. 590068-).....	3160-50
(ESN 249017-) (W/RE522687 & RE522688)	0420-4		
FUEL RAIL PRESSURE SENSOR.....	0413-2	H	
FUEL RAIL PRESSURE SENSOR.....	0413-4	HANDLE, FULL COVERAGE REAR FENDERS	
FUEL TANK.....	0560-2	(SPRING PIN)	1927-6
FUEL TANK CAP	0560-2	HANDLE, FULL COVERAGE REAR FENDERS	
FUEL TANK FILLER HOSE.....	0560-2	(SPRING PIN)	1927-8
FUEL TANK FILLER NECK.....	0560-2	HANDLE, PILOT CONTROLLER	
FUEL TANK GUARD, BOTTOM.....	1746-4	(SERIAL NO. 590068-).....	3160-50
FUEL TANK SENDING UNIT.....	0560-2	HANDLE, TWO LEVER PILOT CONTROLLER.....	3160-32
FUEL TEMPERATURE SENSOR (ESN -249016)	0420-2	HANDRAILS.....	1822-4
FUEL TEMPERATURE SENSOR		HARNESS, CONVERTER (24 TO 12 VOLT)	
(ESN 249017-) (W/RE522687 & RE522688)	0420-4	(SER. NO. -590067)	1674-10
FULL COVERAGE FENDERS (GRAY)		HARNESS, FRONT CONSOLE	
(SERIAL NO. 588862-).....	1927-5C	(SER. NO. -590067)	1674-24
FULL COVERAGE REAR FENDERS		HARNESS, MAIN WIRING	
(SPRING PIN)	1927-6	(SER. NO. 590068-)	1674-23A
FULL COVERAGE REAR FENDERS		HARNESS, MAIN WIRING	
(SPRING PIN)	1927-8	(SER. NO. 590068-)	1674-23C
FUSES		HARNESS, PIN DISCONNECT.....	1674-6
(S.N. -590067).....	1674-37	HARNESS, SPIN CONTROL.....	1674-36
FUSES, VEC		HARSH ENVIRONMENT ALTERNATOR (100 AMP).....	1672-10
(S.N. 590068-).....	1674-38	HEAD GASKET.....	0409-2
G		HEAD, CYLINDER AND VALVES	0409-2
GASKET KIT, CYLINDER HEAD	0452-2	HEADER, FUEL FILTER	
GASKET KIT, ENGINE REBUILD	0452-2	(ESN 249017-) (W/RE522687 & RE522688)	0420-4
GASKET KIT, SHORT BLOCK.....	0452-2	HEADLINER AND DOMELIGHT.....	1810-8
GASKET, CYLINDER HEAD.....	0409-2	HEADREST.....	1821-2
GASKET, HEAD.....	0409-2	HEATER AND A/C BLOWER SWITCH.....	1674-35
GASKET, INTAKE MANIFOLD.....	0414-1	HEATER AND A/C BLOWER WIRING HARNESS.....	1674-35
GASKET, OIL FILTER HOUSING	0407-6	HEATER BLOWER MOTOR AND SWITCH.....	1830-3A
GASKET, OIL PAN	0407-4	HEATER CONTROL CABLE.....	1830-2
GASKET, OIL PUMP.....	0407-8	HEATER HOSES	1830-16
GASKET, OIL PUMP INTAKE	0407-2	HEATER SHUT-OFF VALVE	1830-16
GASKET, REAR OIL SEAL.....	0401-1	HEATER, ENGINE AIR	0505-5
GASKET, ROCKER ARM COVER.....	0402-2	HEATER, ENGINE COOLANT.....	0505-2
GASKET, TIMING GEAR COVER	0402-6	HEATING DUCTS	1830-12
GASKET, TRANSMISSION	0350-29	HEAVY DUTY WHEEL RIM (FIVE PIECE)	
GASKET, TURBOCHARGER.....	0416-2	(25 X 17) (25 X 19.5).....	0110-4
GASKET, WATER MANIFOLD.....	0418-2	HIGH LIFT LABEL.....	3140-7A
GASKET, WATER PUMP	0417-2	HIGH LIFT LOADER LINK	3140-8
GASKETS, EXHAUST MANIFOLD.....	0410-1	HINGE, REAR FENDER	
GEAR SHIFT SYSTEM.....	0350-19	(SPRING PIN)	1927-6
GEAR, CAMSHAFT	0402-8	HINGE, REAR FENDER	
GEAR, FLYWHEEL RING.....	0433-1	(SPRING PIN)	1927-8
GEAR, FUEL INJECTION PUMP	0413-2	HOLD OPEN LATCH (LEFT HAND DOOR)	1810-27A
GEAR, FUEL INJECTION PUMP	0413-4	HOLD OPEN LATCH (RIGHT HAND DOOR).....	1810-28
GEAR, INPUT.....	0350-22	HOOD	1910-2
GEAR, OIL PUMP.....	0407-8	HOOK, COAT	1810-1
GEAR, OIL PUMP DRIVE.....	0401-2	HOOKS, LIFT	1330-4
GEAR, BEVEL DRIVE	0210-2	HORN.....	2004-1
GEARBOX HOUSING.....	0350-27	HORN SWITCH	
GEARBOX HOUSING COVER.....	0350-27	(SER. NO. -590067)	0962-2
GEARSHIFT SYSTEM, TRANSMISSION	0350-16	HORN SWITCH	
GLASS.....	1810-14	(SER. NO. 590068-)	0962-3A
GRILLE	1921-2	HOSE, ENGINE VENTILATOR OUTLET.....	0408-1
GRILLE HOUSING	1921-2	HOSE, FROM BOOM CYLINDER TO CONTROL	
GROUND STRAP.....	1671-2	VALVE (FOUR SPOOL).....	3160-26
GUARD, BOTTOM FUEL TANK.....	1746-4	HOSE, FROM BOOM CYLINDER TO CONTROL	
GUARD, ROCK, CYLINDER-FITTING.....	1746-6	VALVE (THREE SPOOL).....	3160-24
GUARD, LOADER BUCKET.....	3102-2	HOSE, FROM BOOM CYLINDER TO CONTROL	
GUARD, LOADER BUCKET	3102-3A	VALVE (TWO SPOOL).....	3160-22
		HOSE, FROM BUCKET CYLINDER TO CONTROL	
		VALVE (FOUR SPOOL).....	3160-26

ALPHABETICAL INDEX - CONTINUED

	PAGE		PAGE
HOSE, FROM BUCKET CYLINDER TO CONTROL VALVE (THREE SPOOL)	3160-24	HOSES, SINGLE LEVER CONTROLLER WITH AUX. (SER. NO. -590067)	3160-52
HOSE, FROM BUCKET CYLINDER TO CONTROL VALVE(TWO SPOOL)	3160-22	HOSES, TWO LEVER CONTROLLER (SERIAL NO. -590067)	3160-28
HOSE, FROM CONTROL VALVE TO BOOM CYLINDER (FOUR SPOOL)	3160-26	HOSES, TWO LEVER CONTROLLER W/AUX. (SER. NO. -590067)	3160-34
HOSE, FROM CONTROL VALVE TO BOOM CYLINDER (THREE SPOOL)	3160-24	HOSES, TWO LEVER CONTROLLER (SER. NO. 590068-)	3160-30
HOSE, FROM CONTROL VALVE TO BOOM CYLINDER (TWO SPOOL)	3160-22	HOSES, TWO LEVER PILOT CONTROLLER WITH AUX. (SERIAL NO. 590068-)	3160-36
HOSE, FROM CONTROL VALVE TO BUCKET CYLINDER (FOUR SPOOL)	3160-26	HOSES,A/C COMPRESSOR	1830-4
HOSE, FROM CONTROL VALVE TO BUCKET CYLINDER (THREE SPOOL)	3160-24	HOSES,WINDOW WASHER	1810-6
HOSE, FROM CONTROL VALVE TO BUCKET CYLINDER (TWO SPOOL)	3160-22	HOSES,WINDOW WASHER TANK	1810-6
HOSE, FROM CONTROL VALVE TO PILOT CONTROLLER (SERIAL NO. -590067)	3160-66	HOUSING AND SHAFT (YZ120720)	0210-42
HOSE, FROM FOUR SPOOL CONTROL VALVE	3160-26	HOUSING AND SHAFT (YZ120721)	0210-44
HOSE, FROM THREE SPOOL CONTROL VALVE	3160-24	HOUSING, AUXILIARY DRIVE	4151-2
HOSE, FROM TWO SPOOL CONTROL VALVE	3160-22	HOUSING, AXLE	0210-24
HOSE, FRONT & REAR DIFFERENTIAL LOCK	0260-4	HOUSING, AXLE	0210-26
HOSE, FUEL TANK FILLER	0560-2	HOUSING, CAB CONTROL UNIT (SN -590067)	1674-8
HOSE, PILOT CONTROLLER TO CONTROL VALVE (SERIAL NO. -590067)	3160-66	HOUSING, CAB CONTROL UNIT (SN XXXXXX-)	1674-9E
HOSE, QUICK COUPLER PIN DISCONNECT (SER. NO. -590067)	3160-72	HOUSING, CAB CONTROL UNIT (SN 590068-XXXXXX)	1674-9A
HOSE, QUICK COUPLER PIN DISCONNECT (SER. NO. 590068-)	3160-74	HOUSING, CAB CONTROL UNIT (SN 590068-XXXXXX)(CONTINUED)	1674-9C
HOSE, QUICK COUPLER PIN DISCONNECT (SERIAL NO. 590068-)	3160-76	HOUSING, GEARBOX	0350-27
HOSE, RADIATOR	0511-2	HOUSING, GRILLE	1921-2
HOSE,AIR CLEANER	0520-2	HOUSING, HVAC	1830-3A
HOSE,STEERING CYLINDER HYDRAULIC	0963-2	HOUSING, OIL FILTER	0407-6
HOSES, A/C CONDENSOR	1830-10	HOUSING, REAR OIL SEAL	0401-1
HOSES, BRAKE ACCUMULATOR	1064-6	HOUSING, STANDARD INPUT NON- OSC	0210-48
HOSES, DUAL SINGLE LEVER CONTROLLER (SER. NO. -590067)	3160-58	HOUSING, THERMOSTAT	0418-2
HOSES, ENVIRONMENTAL DRAIN	1369-12	HOUSING,TORQUE CONVERTER	0350-40
HOSES, FUEL	0560-2	HUB,FAN BLADE	0512-2
HOSES, HEATER	1830-16	HVAC HOUSING	1830-3A
HOSES, HYDRAULIC, AXLE COOLER	0511-4	HVAC MODULE COMPONENTS	1830-3A
HOSES, HYDRAULIC, AXLE COOLER	0511-6	HVAC RECIRCULATION FILTER	1830-3A
HOSES, HYDRAULIC, ENGINE FAN DRIVE (NON-REVERSING)	0567-6	HVAC WIRING	1674-35
HOSES, HYDRAULIC, SINGLE LEVER CONTROLLER (SER. NO. -590067)	3160-42	HYD ACTUATED 4 PINION DIFFERENTIAL	0210-16
HOSES, HYDRAULIC, SINGLE LEVER CONTROLLER (SER. NO. 590068-)	3160-44	HYDRAULIC CYLINDER BARREL (BOOM)	3165-12
HOSES, HYDRAULIC, SINGLE LEVER CONTROLLER W/AUX (SER. NO. -590067)	3160-52	HYDRAULIC CYLINDER BARREL (BUCKET)	3165-10
HOSES, HYDRAULIC, SINGLE LEVER CONTROLLER W/AUX (SER. NO. 590068-)	3160-54	HYDRAULIC FILTER HEAD	2160-8
HOSES, HYDRAULIC, TWO LEVER CONTROLLER (SER. NO. 590068-)	3160-30	HYDRAULIC FILTER HEAD	2160-9A
HOSES, HYDRAULIC, TWO LEVER CONTROLLER (SERIAL NO. -590067)	3160-28	HYDRAULIC HOSES, AXLE COOLER	0511-4
HOSES, HYDRAULIC, TWO LEVER CONTROLLER W/AUX (SER. NO. -590067)	3160-34	HYDRAULIC HOSES, AXLE COOLER	0511-6
HOSES, LUBRICATION, STEERING CYLINDER	0960-14	HYDRAULIC HOSES, ENGINE FAN DRIVE (NON-REVERSING)	0567-6
HOSES, SINGLE LEVER CONTROLLER (SER. NO. -590067)	3160-42	HYDRAULIC HOSES, REVERSE FAN DRIVE (FACTORY INSTALLED)	0567-10
HOSES, SINGLE LEVER CONTROLLER (SER. NO. 590068-)	3160-44	HYDRAULIC HOSES, REVERSE FAN DRIVE (FIELD INSTALLED)	0567-8
HOSES, SINGLE LEVER CONTROLLER W/AUX (SER. NO. 590068-)	3160-54	HYDRAULIC HOSES, RIDE CONTROL	3160-68
		HYDRAULIC HOSES,BRAKE VALVE (SER. NO. -590067)	1063-2
		HYDRAULIC HOSES,PIN DISCONNECT (SERIAL NO. 590068-)	3160-76
		HYDRAULIC LINES	2160-18
		HYDRAULIC LINES, PARK BRAKE SOLENOID VALVE	1163-2
		HYDRAULIC LINES, PARK BRAKE SOLENOID VALVE	1163-3A
		HYDRAULIC OIL COOLER	0511-2
		HYDRAULIC OIL FILTER	2160-8
		HYDRAULIC OIL FILTER	2160-9A
		HYDRAULIC OIL PRESSURE REGULATOR VALVE FITTINGS (SER. NO. -590067)	2160-10

ALPHABETICAL INDEX - CONTINUED

	PAGE		PAGE
HYDRAULIC OIL PRESSURE REGULATOR VALVE FITTINGS (SER. NO. 590068-)	2160-12	JOYSTICK PILOT CONTROLLER (SERIAL NO. 590068-)	3160-50
HYDRAULIC OIL PRESSURE REGULATOR VALVE (SERIAL NO. XXXXXX-)	2160-13A	JOYSTICK WITH AUX. TO TWO LEVER WITH AUX. CONVERSION KIT(SER. NO. 590068-)	3160-36
HYDRAULIC OIL PRESSURE REGULATOR VALVE (SERIAL NO. XXXXXX-)	2160-17A		
HYDRAULIC OIL PRESSURE REGULATOR VALVE (SERIAL NO. 590068-)	2160-16	K	
HYDRAULIC OIL PRESSURE REGULATOR VALVE COMPONENTS (SER. NO. -590067)	2160-14	KEY, IGNITION (SN 590067)	1674-8
HYDRAULIC OIL PRESSURE REGULATOR VALVE SOLENOID VALVE (SER. NO. -590067)	2160-14	KEY, IGNITION (SN XXXXXX-)	1674-9E
HYDRAULIC OIL RESERVOIR	2160-8	KEY, IGNITION (SN 590068-XXXXXX)	1674-9A
HYDRAULIC OIL RESERVOIR	2160-9A	KEY, IGNITION (SN 590068-XXXXXX)(CONTINUED)	1674-9C
HYDRAULIC PUMP, FAN DRIVE (NON-REVERSING)	0567-4	KICKDOWN SWITCH, TWO LEVER PILOT CONTROLLER	3160-32
HYDRAULIC PUMP,LOADER	2160-2	KICKOUT,LOADER BOOM	3166-4
HYDRAULIC PUMP,STEERING	2160-2	KIT, ADD AUX. TO JOYSTICK CONVERSION (SER. NO. 590068-)	3160-54
HYDRAULICS, BRAKE VALVE (SER. NO. 590068-)	1063-4	KIT, ADD AUX. TO SINGLE LEVER CONTROLLER (SER. NO. 590068-)	3160-54
HYDRAULICS, BRAKE VALVE (SER. NO. 590068-)	1063-6	KIT, ADD AUX. TO TWO LEVER (SER. NO. -590067)	3160-58
I		KIT, ADD JOYSTICK TO JOYSTICK CONVERSION (SER. NO. 590068-)	3160-60
IGNITION SWITCH (SER. NO. -590067)	1674-24	KIT, AUXILIARY JOY STICK PILOT CONTROLLER SEAL	3160-62
IGNITION SWITCH (SN -590067)	1674-8	KIT, BOOM CYLINDER REPAIR (SERIAL NO. - XXXXXX)	3165-2
IGNITION SWITCH (SN XXXXXX-)	1674-9E	KIT, BOOM CYLINDER REPAIR (SERIAL NO. - XXXXXX)	3165-4
IGNITION SWITCH (SN 590068-XXXXXX)	1674-9A	KIT, BOOM CYLINDER REPAIR (SERIAL NO. XXXXXX -)	3165-6
IGNITION SWITCH (SN 590068-XXXXXX)(CONTINUED)	1674-9C	KIT, BOOM CYLINDER REPAIR (SERIAL NO. XXXXXX -)	3165-8
INJECTION FUEL PUMP	0413-2	KIT, BUCKET CYLINDER REPAIR (SERIAL NO. XXXXXX -)	3165-6
INJECTION FUEL PUMP	0413-4	KIT, BUCKET CYLINDER REPAIR (SERIAL NO. XXXXXX -)	3165-8
INJECTION PUMP LUBE LINE	0413-2	KIT, ENGINE AIR HEATER	0505-5
INJECTION PUMP LUBE LINE	0413-4	KIT, ENGINE OVERHAUL	0404-6
INLET SECTION VALVE WITH RELIEF VALVE	3160-8	KIT, ENVIRONMENTAL DRAIN	1369-12
INLET VALVE	3160-8	KIT, FLAT FACE O-RING SEAL	1369-9
INLET VALVE SECTION	3160-8	KIT, JOYSTICK WITH AUX. TO TWO LEVER WITH AUX. CONVERSION(SER. NO. 590068-)	3160-36
INPUT COVER, OSCILLATING (YZ120722)	0210-46	KIT, O-RING	1369-2
INPUT GEAR	0350-22	KIT, OUTLET SECTION SEAL	3160-14
INPUT HOUSING, STANDARD NON- OSC	0210-48	KIT, PISTON/LINER	0403-1
INPUT PINION AND RING GEAR SET	0210-38	KIT, QUICK COUPLER PIN DISCONNECT (SER. NO. -590067)	3160-72
INPUT PINION AND RING GEAR SET	0210-39	KIT, QUICK COUPLER PIN DISCONNECT (SER. NO. 590068-)	3160-74
INPUT PINION, SPIRAL BEVEL	0210-38	KIT, RECLINER	1821-2
INPUT PINION, SPIRAL BEVEL	0210-39	KIT, REVERSE FAN DRIVE	0567-8
INPUT SHAFT	0350-22	KIT, SEAT MOUNTING PARTS (MECHANICAL SUSPENSION)	1821-8
INPUT YOKE	0210-1	KIT, SHORT BLOCK	0404-4
INPUT YOKE (YZ120751)	0210-40	KIT, SINGLE LEVER TO TWO LEVER CONVERSION (SER. NO. 590068-)	3160-30
INSIDE REAR VIEW MIRROR	2002-3A	KIT, STEERING COLUMN REPAIR (SER. NO. -590067)	0962-2
INTAKE MANIFOLD	0414-1	KIT, STEERING COLUMN REPAIR (SER. NO. 590068-)	0962-3A
INTAKE MANIFOLD GASKET	0414-1	KIT, STEERING VALVE SEAL	0962-10
INTAKE, ENGINE OIL PUMP	0407-2	KIT, TURBOCHARGER WASTEGATE	0416-2
INTERLOCKING CUTTING EDGE	3102-3A		
ISOLATOR,ENGINE SUPPORT	0540-2		
J			
JAGZ LOADER BUCKET	3102-3A		
JOYSTICK FNR CONVERSION KIT	3160-64		
JOYSTICK FNR CONVERSION KIT	3160-65		
JOYSTICK LABEL	3160-65		

ALPHABETICAL INDEX - CONTINUED

	PAGE		PAGE
KIT, TWO LEVER TO SINGLE LEVER CONVERSION (SER. NO. 590068-)	3160-44	LATCH, FULL COVERAGE REAR FENDERS (SPRING PIN)	1927-6
KIT, TWO LEVER WITH AUX. TO JOYSTICK WITH AUX. CONVERSION(SER. NO. 590068-)	3160-54	LATCH, FULL COVERAGE REAR FENDERS (SPRING PIN)	1927-8
KIT, WATER PUMP SEAL	0417-2	LATCH, LEFT HAND DOOR HOLD OPEN	1810-26
KIT,A/C COMPRESSOR HARDWARE	1830-8	LATCH,CAB DOOR HOLD-OPEN	1810-10
KIT,A/C COMPRESSOR REPAIR	1830-6	LEAKOFF LINE TO RAIL	0413-2
KIT,A/C SHAFT SEAL	1830-7	LEAKOFF LINE TO RAIL	0413-4
KIT,AUXILIARY JOY STICK REPAIR	3160-62	LEFT HAND COVER	1810-26
KIT,AUXILIARY SINGLE LEVER CONTROLLER REPAIR	3160-40	LEFT HAND DOOR HOLD OPEN CABLE	1810-26
KIT,AXLE BREATHER	0260-7	LEFT HAND DOOR HOLD OPEN LATCH	1810-26
KIT,BUCKET CYLINDER REPAIR (SERIAL NO. - XXXXXX)	3165-2	LEFT HAND DOOR, HOLD OPEN LATCH	1810-27A
KIT,BUCKET CYLINDER REPAIR (SERIAL NO. - XXXXXX)	3165-4	LEVER, AUXILIARY JOY STICK PILOT CONTROLLER	3160-62
KIT,PARK BRAKE BREATHER	0260-7	LEVER, SINGLE LEVER PILOT CONTROLLER (SER. NO. -590067)	3160-46
KIT,SINGLE LEVER CONTROLLER REPAIR (CONTINUED)(SER. NO. -590067)	3160-48	LEVER,SEAT SLIDE CONTROL	1821-3C
KIT,SINGLE LEVER CONTROLLER REPAIR (SER. NO. -590067)	3160-46	LICENSE PLATE BRACKET	1314-1
KIT,STEERING CYLINDER REPAIR	0965-10	LICENSE PLATE LIGHT	1314-1
KITM SEAT KNOB (MECHANICAL SUSPENSION)	1821-4	LICENSE PLATE LIGHT (SER. NO. 590068-)	1674-23A
KITS, SEAT SPRING (MECHANICAL SUSPENSION)	1821-8	LICENSE PLATE LIGHT (SER. NO. 590068-)	1674-23C
KITS, SEAT SUSPENSION (MECHANICAL SUSPENSION)	1821-4	LIFT HOOKS	1330-4
KITS, SEAT SUSPENSION (MECHANICAL SUSPENSION)	1821-8	LIFT STRAPS, ENGINE	0409-4
KNOB, CONTROL, SEAT	1821-3A	LIGHT COMPONENTS, DOME	1673-5
KNOB, SPIN CONTROL	1674-36	LIGHT, FRONT	1673-2
		LIGHT, FRONT	1673-3A
		LIGHT, STOP	1673-8
		LIGHT, TURN	1673-8
		LIGHT, TURN AND MARKER	1673-2
		LIGHT, TURN AND MARKER	1673-3A
		LIGHT,LICENSE PLATE	1314-1
		LIMITED SLIP DIFFERENTIAL	0210-14
		LIMITED SLIP DIFFERENTIAL CASE, REAR	0210-8
		LINE, AUXILIARY DRIVE OIL	4151-2
		LINE, AXLE DISCONNECT (SER. NO. -XXXXXX)	0260-8
		LINE, AXLE DISCONNECT (SERIAL NO. 590068-)	3160-76
		LINE, FRONT & REAR DIFFERENTIAL LOCK	0260-4
		LINE, FUEL LEAK-OFF TO RAIL	0413-2
		LINE, FUEL LEAK-OFF TO RAIL	0413-4
		LINE, INJECTION PUMP LUBE	0413-2
		LINE, INJECTION PUMP LUBE	0413-4
		LINE, PRE-FUEL FILTER(ESN -249016)	0420-2
		LINE, QUICK COUPLER PIN DISCONNECT OIL (SER. NO. -590067)	3160-72
		LINE, QUICK COUPLER PIN DISCONNECT OIL (SER. NO. 590068-)	3160-74
		LINER, CYLINDER	0403-1
		LINES AND FILTERS, FUEL (ESN 249017-) (W/RE522687 & RE522688)	0420-4
		LINES, DIFFERENTIAL LOCK, FRONT AND REAR	0260-2
		LINES, FUEL FILTER (ESN -249016)	0420-2
		LINES, FUEL INJECTION	0413-2
		LINES, FUEL INJECTION	0413-4
		LINES, MAIN HYDRAULIC	2160-18
		LINES, PILOT (SERIAL NO. -590067)	3160-66
		LINES, PILOT, DUAL SINGLE LEVER CONTROLLER (SER. NO. 590068-)	3160-60
		LINES, PILOT, SINGLE LEVER CONTROLLER (SER. NO. 590068-)	3160-44
		LINES, PILOT, SINGLE LEVER CONTROLLER WITH AUX. (SER. NO. 590068-)	3160-54
		LINES, PILOT, TWO LEVER CONTROLLER (SER. NO. 590068-)	3160-30

L

LABEL, HIGH LIFT	3140-7A
LABELS AND DECALS (ENGLISH) (S.N. -590067)	1322-2
LABELS AND DECALS (ENGLISH) (S.N. 590068-)	1322-3A
LABELS AND DECALS (ENGLISH) (S.N. 590068-)	1322-3C
LABELS AND DECALS (FRENCH)	1322-7C
LABELS AND DECALS (FRENCH) (S.N. -590067)	1322-6
LABELS AND DECALS (FRENCH) (S.N. -590067)	1322-8
LABELS AND DECALS (FRENCH) (S.N. 590068-)	1322-7A
LABELS AND DECALS (FRENCH) (S.N. 590068-)	1322-9A
LABELS AND DECALS (SPANISH)	1322-10
LABELS AND DECALS (SPANISH)	1322-12
LABELS AND DECALS(ENGLISH) (S.N. -590067)	1322-2
LABELS AND DECALS, CAB (S.N. 590068-)	1322-5A
LAMP, HI-BEAM, DRIVE	1673-2
LAMP, HI-BEAM, DRIVE	1673-3A
LAMP, STOP	1673-8
LAMP, TAIL	1673-8
LAMP, TURN	1673-8
LATCH HOLD OPEN (LEFT HAND DOOR)	1810-27A
LATCH HOLD OPEN (RIGHT HAND DOOR)	1810-28
LATCH, DOOR	1810-12
LATCH, ENGINE SIDE SHIELD	1910-4

ALPHABETICAL INDEX - CONTINUED

	PAGE		PAGE
LINES, PILOT, TWO LEVER CONTROLLER WITH AUX.(SER. NO. 590068-)	3160-36	LOCK,ENGINE SIDE SHIELD	1910-4
LINES, PIN DISCONNECT (SERIAL NO. 590068-)	3160-76	LOGGER RIM ASSEMBLY (ONE PIECE) (28 X 26)	0110-6
LINES, TRANSMISSION EXTERNAL OIL	0360-2	LOUVERS, HEAT AND A/C (SER. NO. -590067)	1830-14
LINES, TURBOCHARGER OIL	0416-2	LOUVERS, HEAT AND A/C (SER. NO. 590068-)	1830-15A
LINK, LOADER, HIGH LIFT	3140-8	LOWER STEERING COLUMN	0962-4
LINKAGE, ENGINE SPEED CONTROL (SERIAL NO. -590067)	0515-2	LUBRICATION LINES, DIFFERENTIAL SUPPORTS	0210-18
LINKAGE, STEERING COLUMN (SER. NO. -590067)	0962-2	LUBRICATION LINES, DIFFERENTIAL SUPPORTS (SN XXXXXX-)	0210-20
LINKAGE, STEERING COLUMN (SER. NO. 590068-)	0962-3A	LUMBAR ADJUSTER AND CONTROL KNOB	1821-3A
LOAD CENTER COMPARTMENT (SN -590067)	1674-8		
LOAD CENTER COMPARTMENT (SN XXXXXX-)	1674-9E	M	
LOAD CENTER COMPARTMENT (SN 590068-XXXXXX)	1674-9A	MAGNETIC PICK-UP SENSOR	0402-7
LOAD CENTER COMPARTMENT (SN 590068-XXXXXX)(CONTINUED)	1674-9C	MAIN BEARING CAPS	0404-2
LOAD CENTER WIRING HARNESS (SN -590067)	1674-8	MAIN BEARINGS, ENGINE	0401-2
LOAD CENTER WIRING HARNESS (SN XXXXXX-)	1674-9E	MAIN COUNTERWEIGHT	1749-2
LOAD CENTER WIRING HARNESS (SN 590068-XXXXXX)	1674-9A	MAIN HYDRAULIC LINES	2160-18
LOAD CENTER WIRING HARNESS (SN 590068-XXXXXX)(CONTINUED)	1674-9C	MAIN WIRING HARNESS (SER. NO. -590067)	1674-22
LOADER BOOM	3140-6	MAIN WIRING HARNESS (SER. NO. 590068-)	1674-23A
LOADER BOOM KICKOUT	3166-4	MAIN WIRING HARNESS (SER. NO. 590068-)	1674-23C
LOADER BOOM KICKOUT SENSOR	3166-4	MANIFOLD, INTAKE	0414-1
LOADER BUCKET (JAGZ)	3102-3A	MANIFOLD, TRANSMISSION CONTROL VALVE	0350-19
LOADER BUCKET CUTTING EDGE	3102-2	MANIFOLD, WATER, FRONT	0418-2
LOADER BUCKET CUTTING EDGE	3102-3A	MANIFOLD,A/C COMPRESSOR	1830-6
LOADER BUCKET CUTTING EDGE	3102-4	MANIFOLDS, EXHAUST	0410-1
LOADER BUCKET GUARD	3102-2	MIRROR, OUTSIDE	2002-2
LOADER BUCKET GUARD	3102-3A	MIRROR, REAR VIEW, INSIDE	2002-3A
LOADER BUCKET PINS	3102-2	MODULE, HVAC	1830-3A
LOADER BUCKET SHANKS	3102-4	MOISTURE SENSOR (ESN -249016)	0420-2
LOADER BUCKET TEETH	3102-4	MONITOR DISPLAY UNIT	1676-1
LOADER BUCKET, WASTE HANDLER	3102-6	MOTOR AND SWITCH, HEATER AND A/C BLOWER	1830-3A
LOADER BUCKETS	3102-2	MOTOR, REVERSE FAN DRIVE (FACTORY INSTALLED)	0567-10
LOADER CONTROL VALVE (2-SPOOL)	3160-2	MOTOR, REVERSE FAN DRIVE (FIELD INSTALLED)	0567-8
LOADER CONTROL VALVE (3-SPOOL)	3160-4	MOTOR,FAN DRIVE (NON-REVERSING)	0567-4
LOADER CONTROL VALVE (4-SPOOL)	3160-6	MOUNTING BRACKETS, ALTERNATOR (55 AMP)	1672-2
LOADER FRAME	3140-2	MOUNTING BRACKETS, ALTERNATOR (80 AMP)	1672-6
LOADER FRAME	3140-3A	MOUNTING PARTS KIT, SEAT (MECHANICAL SUSPENSION)	1821-8
LOADER FRAME LOCK	3140-4	MOUNTING SUPPORTS, ENGINE	0540-2
LOADER FRAME PIN	3140-2	MOUNTING SUPPORTS, TRANSMISSION	0342-2
LOADER FRAME PIN	3140-3A	MOUNTING, FRONT AXLE	3140-2
LOADER FRAME WIRING HARNESS (SER. NO. -590067)	1674-22	MOUNTING, FRONT AXLE	3140-3A
LOADER FRAME WIRING HARNESS (SER. NO. 590068-)	1674-23A	MOUNTS, CAB (FRONT AND REAR)	1810-2
LOADER FRAME WIRING HARNESS (SER. NO. 590068-)	1674-23C	MUFFLER	0530-2
LOADER HYRAULIC PUMP	2160-2	MUFFLER BRACKET	0530-2
LOADER LINKAGE CENTER PIVOT PIN	3140-6		
LOADER PIVOT LINK PIN TO BUCKET CYLINDER	3140-8	N	
LOADER PIVOT LINK PIN TO BUCKET LINK	3140-8	NON-OSCILLATING,FRONT DIFFERENTIAL CASE WITH DIFF LOCK	0210-6
LOCK BAR,ENGINE FRAME	1740-2	NOZZLE, FUEL INJECTION	0413-2
LOCK BAR,ENGINE FRAME	1740-3A	NOZZLE, FUEL INJECTION	0413-4
LOCK LINE, FRONT & REAR DIFFERENTIAL	0260-4		
LOCK, BOOM CYLINDER	3140-4		
LOCK, DIFFERENTIAL (YZ120947)	0210-58		
LOCK, LOADER FRAME	3140-4		

ALPHABETICAL INDEX - CONTINUED

	PAGE		PAGE
O			
O-RING KIT	1369-2	PARK BRAKE SOLENOID VALVE HYDRAULIC LINES	1163-2
O-RING, WATER PUMP	0417-2	PARK BRAKE SOLENOID VALVE HYDRAULIC LINES	1163-3A
OIL COOLER ADAPTER	0419-1	PARK BRAKE SWITCH (SER. NO. -590067)	1674-24
OIL COOLER BYPASS ADAPTER	0419-2	PARK BRAKE SWITCH (SER. NO. 590068-)	1674-25A
OIL COOLER BYPASS TUBES	0419-2	PARKING BRAKE/ DRIVELINE BEARING	1115-2
OIL COOLER COVER	0419-1	PARKING BRAKE/ DRIVELINE BEARING	1115-4
OIL COOLER TUBES	0419-1	PEDAL, BRAKE	1062-2
OIL COOLER, ENGINE	0419-1	PEDAL, BRAKE	1062-3A
OIL COOLER, HYDRAULIC	0511-2	PEDAL, ENGINE CONTROL (SERIAL NO. -590067)	0515-2
OIL COOLER, TRANSMISSION	0511-2	PEDAL, ENGINE SPEED CONTROL (SER. NO. 590076-)	0515-4
OIL DIPSTICK, ENGINE	0407-3	PEDESTAL, CAB	1810-15A
OIL FILL, TRANSMISSION	0360-6	PEDESTAL, CANOPY	1810-15A
OIL FILTER BASE	0407-6	PEDESTAL, OPERATOR STATION FRONT	1810-15A
OIL FILTER BYPASS VALVE	0407-6	PILOT CONTROLLER HANDLE (SERIAL NO. 590068-)	3160-50
OIL FILTER HOUSING	0407-6	PILOT CONTROLLER HOSE TO CONTROL VALVE (SERIAL NO. -590067)	3160-66
OIL FILTER HOUSING GASKET	0407-6	PILOT CONTROLLER, TWO LEVER WITH AUX. (SERIAL NO. 590068-)	3160-36
OIL FILTER RESTRICTION INDICATOR SWITCH TRANSMISSION	0350-19	PILOT CONTROLLER, TWO LEVER WITH DUAL AUX. CONTROLLERS (SER. NO. -590067)	3160-38
OIL FILTER, ENGINE	0407-6	PILOT LINES (SERIAL NO. -590067)	3160-66
OIL FILTER, TRANSMISSION	0360-8	PILOT LINES, DUAL SINGLE LEVER CONTROLLER (SER. NO. 590068-)	3160-60
OIL LINE, AUXILIARY DRIVE	4151-2	PILOT LINES, SINGLE LEVER CONTROLLER (SER. NO. 590068-)	3160-44
OIL LINE, QUICK COUPLER PIN DISCONNECT (SER. NO. -590067)	3160-72	PILOT LINES, SINGLE LEVER CONTROLLER AUX. (SER. NO. 590068-)	3160-54
OIL LINE, QUICK COUPLER PIN DISCONNECT (SER. NO. 590068-)	3160-74	PILOT LINES, TWO LEVER CONTROLLER (SER. NO. 590068-)	3160-30
OIL LINES, TRANSMISSION THERMAL BYPASS VALVE	0360-2	PILOT LINES, TWO LEVER CONTROLLER WITH AUX. (SER. NO. 590068-)	3160-36
OIL LINES, TRANSMISSION EXTERNAL	0360-2	PILOT PLUMBING (SERIAL NO. -590067)	3160-66
OIL LINES, TURBOCHARGER	0416-2	PIN DISCONNECT HARNESS	1674-6
OIL PAN	0407-4	PIN DISCONNECT LINES (SERIAL NO. 590068-)	3160-76
OIL PRESSURE REGULATING VALVE	0407-6	PIN DISCONNECT VALVE (SERIAL NO. - 590067)	3160-78
OIL PRESSURE SENSOR	1674-7	PIN DISCONNECT VALVE (SERIAL NO. 590068-)	3160-76
OIL PRESSURE SENSOR, ENGINE	1674-7	PIN DISCONNECT VALVE COMPONENTS	3160-80
OIL PUMP	0407-8	PIN DISCONNECT VALVE COMPONENTS (SERIAL NO. - 590067)	3160-78
OIL PUMP DRIVE GEAR	0401-2	PIN DISCONNECT VALVE HYDRAULIC HOSES (SERIAL NO. 590068-)	3160-76
OIL PUMP GASKET	0407-8	PIN DISCONNECT VALVE SOLENOID (SERIAL NO. - 590067)	3160-78
OIL PUMP GEAR	0407-8	PIN, LOADER LINKAGE CENTER PIVOT	3140-6
OIL PUMP INTAKE	0407-2	PIN, LOADER PIVOT LINK TO BUCKET CYLINDER	3140-8
OIL PUMP INTAKE GASKET	0407-2	PIN, LOADER PIVOT LINK TO BUCKET LINK	3140-8
OIL SEAL, FRONT	0402-6	PIN, WASTE HANDLER LINKAGE CENTER PIVOT	3140-7A
OIL SEAL, REAR	0401-1	PIN, BOOM CYLINDER	3140-2
OPERATOR ACCESS PLATFORM AND STEPS	1822-2	PIN, BOOM CYLINDER	3140-3A
OPERATOR ACCESS PLATFORM STEPS	1822-2	PIN, BUCKET CYLINDER	3140-2
OPERATOR STATION FRONT PEDESTAL	1810-15A	PIN, BUCKET CYLINDER	3140-3A
OSCILLATING DIFFERENTIAL SUPPORT	0210-18	PIN, ENGINE FRAME	1740-2
OSCILLATING DIFFERENTIAL SUPPORT (SN XXX XXX-)	0210-20	PIN, ENGINE FRAME	1740-3A
OSCILLATING INPUT COVER (YZ120722)	0210-46	PIN, LOADER FRAME	3140-2
OUTLET DUCTS	1830-12	PIN, LOADER FRAME	3140-3A
OUTLET SECTION	3160-14		
OUTLET SECTION COMPONENTS	3160-14		
OUTLET SECTION SEAL KIT	3160-14		
OUTPUT SHAFT, TRANSMISSION	0350-30		
OUTSIDE MIRROR	2002-2		
OVERHAUL KIT, ENGINE	0404-6		
P			
PAN, OIL	0407-4		
PAN, SEAT BACK	1821-3A		
PARK BRAKE BREATHER KIT	0260-7		
PARK BRAKE SOLENOID VALVE	1162-2		
PARK BRAKE SOLENOID VALVE	1162-4		

ALPHABETICAL INDEX - CONTINUED

	PAGE		PAGE
PIN, STEERING CYLINDER	3140-2	PRESSURE REGULATOR VALVE, HYDRAULIC OIL (SERIAL NO. XXXXXX-)	2160-13A
PIN, STEERING CYLINDER	3140-3A	PRESSURE REGULATOR VALVE, HYDRAULIC OIL (SERIAL NO. XXXXXX-)	2160-17A
PINS, BOOM CYLINDER	3165-14	PRESSURE REGULATOR VALVE, HYDRAULIC OIL (SERIAL NO. 590068-)	2160-16
PINS, BUCKET CYLINDER	3165-14	PRESSURE SENSOR, OIL	1674-7
PINS, LOADER BUCKET	3102-2	PRESSURE TRANSDUCER, SPIN CONTROL	1674-36
PIPE, EXHAUST	0530-2	PRIMARY FUEL FILTER (ESN -249016)	0420-2
PISTON	0403-1	PRV VALVE COMPONENTS (SERIAL NO. XXXXXX-)	2160-13A
PISTON CONNECTING ROD	0403-1	PRV VALVE COMPONENTS (SERIAL NO. XXXXXX-)	2160-17A
PISTON CONNECTING ROD BEARINGS	0403-1	PRV VALVE COMPONENTS (SERIAL NO. 590068-)	2160-16
PISTON RINGS	0403-1	PULLEY, CRANKSHAFT AND DAMPERS	0429-2
PISTON, BRAKE	1011-2	PUMP AND MOTOR RECIRCULATION, AXLE OIL	0260-22
PIVOT PIN ONLY (YZ120723)	0210-50	PUMP, FUEL INJECTION	0413-2
PLANET PINION CARRIER	0210-28	PUMP, FUEL INJECTION	0413-4
PLATE, AUXILIARY SINGLE LEVER CNTLR. MTG. (SER. NO. -590067)	3160-58	PUMP, HYDRAULIC, FAN DRIVE (NON-REVERSING)	0567-4
PLATE, AUXILIARY SINGLE LEVER CONTROLLER MOUNTING (SER. NO. 590068-)	3160-60	PUMP, OIL	0407-8
PLATE, ENGINE SIDE SHIELD	1910-4	PUMP, REVERSE FAN DRIVE (FACTORY INSTALLED)	0567-10
PLATE, FOUR SPOOL CONTROL VALVE PLUMBING MOUNTING	3160-26	PUMP, REVERSE FAN DRIVE (FIELD INSTALLED)	0567-8
PLATE, SINGLE LEVER CONTROLLER MOUNTING (SER. NO. 590068-)	3160-44	PUMP, TRANSMISSION	0350-28
PLATE, SINGLE LEVER CONTROLLER MOUNTING (SER. NO. -590067)	3160-42	PUMP, WATER	0417-2
PLATE, SINGLE LEVER CONTROLLER MOUNTING (SER. NO. 590068-)	3160-30	PUMP, WINDOW WASHER	1810-6
PLATE, SINGLE LEVER CONTROLLER W/AUX MOUNTING (SER. NO. 590068-)	3160-54	PUMP, SECONDARY STEERING (SER. NO. -590067)	0930-2
PLATE, SINGLE LEVER CONTROLLER W/AUX M MOUNTING (SER. NO. -590067)	3160-52	PUMP, SECONDARY STEERING (SER. NO. 590068-)	0930-4
PLATE, SINGLE LEVER PILOT CONTROLLER (SER. NO. -590067)	3160-46	PUSH PIN ASSEMBLY (SERIAL NO. 590068-)	3160-50
PLATE, SINGLE LEVER PILOT CONTROLLER MOUNTING (CONTINUED)(SER. NO. -590067)	3160-48	PUSH ROD	0402-4
PLATE, TWO LEVER PILOT CONTROLLER MOUNTING(SER. NO. -590067)	3160-34		
PLATE, TWO LEVER PILOT CONTROLLER WITH AUX. (SERIAL NO. 590068-)	3160-36	Q	
PLATE, TWO LEVER PILOT CONTROLLER WITH DUAL AUX. CONTROLLERS(SER.NO. -590067)	3160-38	QUICK COUPLER PIN DISCONNECT HOSE (SER. NO. -590067)	3160-72
PLATES, BRAKE	1011-2	QUICK COUPLER PIN DISCONNECT HOSE (SER. NO. 590068-)	3160-74
PLATFORM, OPERATOR ACCESS	1822-2	QUICK COUPLER PIN DISCONNECT HOSE (SERIAL NO. 590068-)	3160-76
PLUG, CYLINDER BLOCK	0404-2	QUICK COUPLER PIN DISCONNECT KIT (SER. NO. -590067)	3160-72
PLUMBING, AXLE COOLING	0260-20	QUICK COUPLER PIN DISCONNECT KIT (SER. NO. 590068-)	3160-74
PNEUMATIC PRESSURE VALVE (ESN -249016)	0420-2	QUICK COUPLER PIN DISCONNECT LINE (SERIAL NO. 590068-)	3160-76
POWER PLUG AND CONVERTER (24 TO 12 VOLT) (SER. NO. -590067)	1674-10	QUICK COUPLER PIN DISCONNECT SWITCH (SER. NO. -590067)	3160-72
POWER PLUG AND CONVERTER (24 TO 12 VOLT) (SER. NO. 590067-)(10 AMP)	1674-10A	QUICK COUPLER PIN DISCONNECT SWITCH (SER. NO. 590068-)	3160-74
POWER PLUG AND CONVERTER (24 TO 12 VOLT) (SER. NO. 590068-)(5 AMP)	1674-10B	QUICK COUPLER PIN DISCONNECT VALVE (SER. NO. -590067)	3160-72
POWER TAKE-OFF SHAFT	0350-32	QUICK COUPLER PIN DISCONNECT VALVE (SERIAL NO. 590068-)	3160-76
PRE-FILTER LINE (ESN -249016)	0420-2		
PRE-FUEL FILTER (ESN -249016)	0420-2	R	
PRECLEANER	0520-2	RADIATOR	0511-2
PRESSURE REDUCING VALVE, COMPONENTS (SERIAL NO. XXXXXX-)	2160-13A	RADIATOR CAP	0511-2
PRESSURE REDUCING VALVE, COMPONENTS (SERIAL NO. XXXXXX-)	2160-17A	RADIATOR COOLANT LEVEL SENSOR	0511-2
PRESSURE REDUCING VALVE, COMPONENTS (SERIAL NO. 590068-)	2160-16		
PRESSURE REGULATING VALVE COMPONENTS (SER. NO. -590067)	2160-14		
PRESSURE REGULATING VALVE FITTINGS (SER. NO. -590067)	2160-10		
PRESSURE REGULATOR VALVE FITTINGS (SER. NO. 590068-)	2160-12		

ALPHABETICAL INDEX - CONTINUED

	PAGE		PAGE
RADIATOR HOSE.....	0511-2	RELAYS, VEC	
RADIATOR OVERFLOW TANK.....	0511-2	(S.N. 590068-).....	1674-38
RADIO (SER. NO. -590067).....	2001-2	RELIEF VALVE FOR INLET SECTION VALVE.....	3160-8
RADIO (SER.NO. 590068-600740).....	2001-3A	RELIEF VALVE, FAN DRIVE MOTOR	
RADIO (SERIAL NO.600741-).....	2001-3C	(NON-REVERSING).....	0567-4
RADIO ANTENNA (SER. NO. -590067).....	2001-2	RELIEF VALVE, REVERSE FAN DRIVE.....	0567-12
RADIO ANTENNA (SER.NO. 590068-600740).....	2001-3A	REPAIR KITS, STEERING AND LOADER	
RADIO ANTENNA (SERIAL NO.600741-).....	2001-3C	HYDRAULIC PUMP.....	2160-6
RADIO REMOTE CONTROL		REPLACEMENT BOOM CYLINDER.....	3165-12
(SER. NO. -590067).....	2001-2	REPLACEMENT BUCKET CYLINDER.....	3165-10
RADIO REMOTE CONTROL		REPLACEMENT SEAT BELT	
(SER.NO. 590068-600740).....	2001-3A	(THREE INCHES (76MM) WIDE).....	1821-1
RADIO REMOTE CONTROL		RESERVOIR, COOLANT OVERFLOW.....	0511-2
(SERIAL NO.600741-).....	2001-3C	RESERVOIR, HYDRAULIC OIL.....	2160-8
RADIO SPEAKER		RESERVOIR, HYDRAULIC OIL.....	2160-9A
(SER. NO. -590067).....	2001-2	REST, ARM (SER. NO. 590068-).....	1816-3A
RADIO SPEAKER		REST, ARM (USE ONLY WITH TWO-LEVER	
(SERIAL NO.600741-).....	2001-3C	CONTROLLERS)(SER. NO. -590067).....	1816-2
RADIO SPEAKER (SER.NO. 590068-600740).....	2001-3A	RESTRICTION INDICATOR SWITCH,	
RAIL, FUEL INJECTION.....	0413-2	TRANSMISSION OIL FILTER.....	0350-19
RAIL, FUEL INJECTION.....	0413-4	RETURN HOSE, RESERVOIR.....	2160-8
REAR & FRONT DIFFERENTIAL LOCK LINES.....	0260-4	RETURN HOSE, RESERVOIR.....	2160-9A
REAR AXLE.....	0201-2	RETURN TO CARRY SENSOR.....	3166-4
REAR AXLE ASSEMBLY.....	0210-36	RETURN-TO-DIG ACTUATOR	
REAR AXLE ASSEMBLYBREATHER.....	0210-36	(SER. NO. -589893).....	3166-2
REAR AXLE MOUNTING (SN XXXXXX-).....	0210-20	RETURN-TO-DIG ACTUATOR	
REAR COVER, ALTERNATOR		(SER. NO. 589894-).....	3166-3A
(55 AMP).....	1672-4	RETURN-TO-DIG COMPONENT MOUNTING	
REAR COVER, ALTERNATOR		BRACKET (SER. NO. -589893).....	3166-2
(80 AMP).....	1672-8	RETURN-TO-DIG SENSOR	
REAR DIFFERENTIAL CASE WITH DIFF LOCK,		(SER. NO. -589893).....	3166-2
OSCILLATING.....	0210-4	RETURN-TO-DIG SENSOR	
REAR DIFFERENTIAL LOCK LINE.....	0260-2	(SER. NO. 589894-).....	3166-3A
REAR FENDERS.....	1927-2	REVERSE FAN DRIVE (FACTORY INSTALLED).....	0567-10
REAR FENDERS, FULL COVERAGE		REVERSE FAN DRIVE FIELD KIT.....	0567-8
(SPRING PIN).....	1927-6	REVERSE FAN DRIVE HYDRAULIC HOSES	
REAR FENDERS, FULL COVERAGE		(FACTORY INSTALLED).....	0567-10
(SPRING PIN).....	1927-8	REVERSE FAN DRIVE HYDRAULIC HOSES	
REAR FRAME WIRING HARNESS		(FIELD INSTALLED).....	0567-8
(SER. NO. -590067).....	1674-22	REVERSE FAN DRIVE MOTOR	
REAR FRAME WIRING HARNESS		(FACTORY INSTALLED).....	0567-10
(SER. NO. 590068-).....	1674-23A	REVERSE FAN DRIVE MOTOR	
REAR FRAME WIRING HARNESS		(FIELD INSTALLED).....	0567-8
(SER. NO. 590068-).....	1674-23C	REVERSE FAN DRIVE PUMP	
REAR OIL SEAL.....	0401-1	(FACTORY INSTALLED).....	0567-10
REAR OIL SEAL GASKET.....	0401-1	REVERSE FAN DRIVE PUMP	
REAR OIL SEAL HOUSING.....	0401-1	(FIELD INSTALLED).....	0567-8
REAR WINDOW DEFROST SWITCH		REVERSE FAN DRIVE RELIEF VALVE.....	0567-12
(SER. NO. -590067).....	1674-1	REVERSE FAN DRIVE SOLENOID VALVE	
REAR WINDSHIELD WIPER.....	1810-18	(FACTORY INSTALLED).....	0567-10
REAR, STANDARD AND LIMITED SLIP DIFFEREN		REVERSE FAN DRIVE SOLENOID VALVE	
TIAL CASE.....	0210-8	(FIELD INSTALLED).....	0567-8
RECEIVER DRIER,A/C.....	1830-10	REVERSE FAN DRIVE SOLENOID VALVE	
RECIRCULATION FILTER, HVAC.....	1830-3A	COMPONENTS.....	0567-12
RECIRCULATION PUMP AND MOTOR, AXLE OIL.....	0260-22	RIDE CONTROL ACCUMULATOR.....	3160-68
RECLINER KIT.....	1821-2	RIDE CONTROL HYDRAULIC HOSES.....	3160-68
REDUCING VALVE, COMPONENTS		RIDE CONTROL SOLENOID VALVE.....	3160-70
(SERIAL NO. 590068-).....	2160-16	RIDE CONTROL VALVE.....	3160-68
REGULATING VALVE		RIDE CONTROL VALVE.....	3160-70
(SERIAL NO. 590068-).....	3160-50	RIGHT HAND DOOR, HOLD OPEN LATCH.....	1810-28
REGULATOR,VOLTAGE		RIGHT SIDE CONSOLE	
(55 AMP).....	1672-2	(SER. NO. 590068-).....	1810-23C
RELAY, TURN SIGNAL FLASHER		RIGHT SIDE CONSOLE (SINGLE LEVER	
(S.N. -590067).....	1674-37	CONTROLLERS)(SERIAL NO. -590067).....	1810-23A
RELAYS		RIGHT SIDE CONSOLE (TWO-LEVER)	
(S.N. -590067).....	1674-37	(SER. NO. -590067).....	1810-22

ALPHABETICAL INDEX - CONTINUED

	PAGE		PAGE
RIM ASSEMBLY (FIVE PIECE RIM) (25 X 17) (25 X 19.5).....	0110-4	SEAT KNOB KIT (MECHANICAL SUSPENSION).....	1821-4
RIM, WHEEL (THREE PIECE RIM) (25 X 22).....	0110-2	SEAT MOUNTING PARTS KIT (MECHANICAL SUSPENSION).....	1821-8
RIM, WHEEL, LOGGER (ONE PIECE) (28 X 26).....	0110-6	SEAT SLIDE ASSEMBLY.....	1821-3C
RING, WATER PUMP RETAINING.....	0417-2	SEAT SLIDE CONTROL LEVER.....	1821-3C
RINGS, PISTON.....	0403-1	SEAT SLIDE LATCH KIT.....	1821-3C
ROCK GUARD, CYLINDER-FITTING.....	1746-6	SEAT SPRING KITS (MECHANICAL SUSPENSION).....	1821-8
ROCKER ARM.....	0402-4	SEAT SUSPENSION.....	1821-2
ROCKER ARM COVER.....	0402-2	SEAT SUSPENSION (AIR SUSPENSION).....	1821-10
ROCKER ARM COVER GASKET.....	0402-2	SEAT, SUSPENSION (AIR SUSPENSION).....	1821-10
ROCKER SWITCHES AND PLUG ASSEMBLY (SER. NO. -590067).....	1674-1	SEAT, SUSPENSION KITS (MECHANICAL SUSPENSION).....	1821-6
ROD, BOOM CYLINDER (SERIAL NO. - XXXXXX).....	3165-2	SEAT, SUSPENSION KITS (MECHANICAL SUSPENSION).....	1821-8
ROD, BOOM CYLINDER (SERIAL NO. - XXXXXX).....	3165-4	SECONDARY STEERING (SER. NO. -590067).....	0930-2
ROD, BOOM CYLINDER (SERIAL NO. XXXXXX -).....	3165-6	SECONDARY STEERING (SER. NO. 590068-).....	0930-4
ROD, BOOM CYLINDER (SERIAL NO. XXXXXX).....	3165-2	SECONDARY STEERING PUMP (SER. NO. -590067).....	0930-2
ROD, BUCKET CYLINDER (SERIAL NO. - XXXXXX).....	3165-4	SECONDARY STEERING PUMP (SER. NO. 590068-).....	0930-4
ROD, BUCKET CYLINDER (SERIAL NO. XXXXXX -).....	3165-6	SECONDARY STEERING SWITCH (SER. NO. -590067).....	0930-2
ROD, BUCKET CYLINDER (SERIAL NO. XXXXXX -).....	3165-8	SECONDARY STEERING SWITCH (SER. NO. 590068-).....	0930-4
ROD, PISTON CONNECTING.....	0403-1	SECONDARY STEERING WIRE HARNESS (SER. NO. -590067).....	0930-2
ROD, PUSH.....	0402-4	SECONDARY STEERING WIRE HARNESS (SER. NO. 590068-).....	0930-4
ROOF PLASTIC.....	1810-16	SECTION, AUXILIARY.....	3160-12
ROPS.....	1810-10	SECTION, VALVE, BOOM.....	3160-10
ROTARY KNOB, SPIN CONTROL.....	1674-36	SECTION, VALVE, FIFTH FUNCTION.....	3160-20
		SECTION, VALVE, INLET, WITH RELIEF VALVE.....	3160-8
S		SENDER, ENGINE COOLANT TEMPERATURE.....	1674-7
SEAL KIT, AUXILIARY JOY STICK PILOT CONTROLLER.....	3160-62	SENDER, FUEL TANK.....	0560-2
SEAL KIT, FAN DRIVE MOTOR (NON-REVERSING).....	0567-4	SENDER, TEMPERATURE, HYDRAULIC.....	2160-8
SEAL KIT, FAN DRIVE PUMP (NON-REVERSING).....	0567-4	SENDER, TEMPERATURE, HYDRAULIC.....	2160-9A
SEAL KIT, OUTLET SECTION.....	3160-14	SENSOR, AIR FILTER RESTRICTION.....	0520-2
SEAL, FRONT OIL.....	0402-6	SENSOR, ENGINE SPEED.....	0402-7
SEAL, REAR OIL.....	0401-1	SENSOR, ENGINE TEMPERATURE.....	0418-2
SEAL, TUBE.....	0417-2	SENSOR, FUEL INJECTION PUMP POSITION.....	0413-2
SEAL, WATER PUMP OIL.....	0417-2	SENSOR, FUEL INJECTION PUMP POSITION.....	0413-4
SEALED SWITCH MODULE (SN -590067).....	1674-8	SENSOR, FUEL MOISTURE (ESN 249017-) (W/RE522687 & RE522688).....	0420-4
SEALED SWITCH MODULE (SN XXXXXX-).....	1674-9E	SENSOR, FUEL RAIL PRESSURE.....	0413-2
SEALED SWITCH MODULE (SN 590068-XXXXXX).....	1674-9A	SENSOR, FUEL RAIL PRESSURE.....	0413-4
SEALED SWITCH MODULE (SN 590068-XXXXXX)(CONTINUED).....	1674-9C	SENSOR, FUEL TEMPERATURE (ESN -249016).....	0420-2
SEAT BACK.....	1821-3A	SENSOR, FUEL TEMPERATURE (ESN 249017-) (W/RE522687 & RE522688).....	0420-4
SEAT BACK PAN.....	1821-3A	SENSOR, LOADER BOOM KICKOUT.....	3166-4
SEAT BASE.....	1810-15C	SENSOR, MOISTURE(ESN -249016).....	0420-2
SEAT BELT, REPLACEMENT (THREE INCHES (76MM WIDE).....	1821-1	SENSOR, OIL PRESSURE.....	1674-7
SEAT BRACKETS.....	1821-2	SENSOR, PICK-UP, MAGNETIC.....	0402-7
SEAT CUSHION.....	1821-2	SENSOR, RETURN TO CARRY.....	3166-4
SEAT DECK.....	1810-15C	SENSOR, RETURN-TO-DIG (SER. NO. -589893).....	3166-2
		SENSOR, RETURN-TO-DIG (SER. NO. 589894-).....	3166-3A
		SENSOR, TRANSMISSION SPEED.....	0350-36
		SENSOR, TRANSMISSION TEMPERATURE.....	0350-16
		SENSOR,ENGINE SPEED CONTROL (SER. NO. 590076-).....	0515-4

ALPHABETICAL INDEX - CONTINUED

	PAGE		PAGE
SENSOR,ENGINE SPEED CONTROL (SERIAL NO. -590067).....	0515-2	SLIDE,SEAT ASSEMBLY.....	1821-3C
SENSOR,RADIATOR COOLANT LEVEL.....	0511-2	SLOW MOVING VEHICLE EMBLEM.....	2008-2
SHAFT AND AXLE HOUSING (YZ120720).....	0210-42	SMV EMBLEM.....	2008-2
SHAFT AND AXLE HOUSING (YZ120721).....	0210-44	SOLENOID ASSEMBLY (SERIAL NO. 590068-).....	3160-50
SHAFT AND SPIRAL BEVEL GEAR, FRONT.....	0210-2	SOLENOID VALVE COMPONENTS, REVERSE FAN DRIVE.....	0567-12
SHAFT AND SPIRAL BEVEL GEAR, FRONT.....	0210-3	SOLENOID VALVE LINES TO PARK BRAKE.....	1163-2
SHAFT AXLE DIFFERENTIALS.....	0325-4	SOLENOID VALVE, PARK BRAKE.....	1162-2
SHAFT, ENGINE DRIVE.....	0325-4	SOLENOID VALVE, PARK BRAKE.....	1162-4
SHAFT, FINAL DRIVE.....	0210-28	SOLENOID VALVE, REVERSE FAN DRIVE (FACTORY INSTALLED).....	0567-10
SHAFT, INPUT.....	0350-22	SOLENOID VALVE, REVERSE FAN DRIVE (FIELD INSTALLED).....	0567-8
SHAFT, TRANSMISSION DRIVE.....	0325-4	SOLENOID VALVE, RIDE CONTROL.....	3160-70
SHAFT,POWER TAKE-OFF.....	0350-32	SOLENOID VALVE,HYDRAULIC OIL PRESSURE REGULATOR VALVE (SER. NO. -590067).....	2160-14
SHAFT,TORQUE CONVERTER.....	0350-40	SOLENOID, PIN DISCONNECT VALVE (SERIAL NO. - 590067).....	3160-78
SHAFT,TRANSMISSION OUTPUT.....	0350-30	SOLENOID, TWO LEVER PILOT CONTROLLER.....	3160-32
SHANKS,LOADER BUCKET.....	3102-4	SPACER, WHEEL.....	0110-8
SHIELDS, TRANSMISSION.....	1913-3	SPANISH LABELS AND DECALS.....	1322-10
SHIELDS, TRANSMISSION.....	1913-3A	SPANISH LABELS AND DECALS.....	1322-12
SHIFTER ASSEMBLY (SER. NO. -590067).....	1674-24	SPEAKER, RADIO (SER. NO. -590067).....	2001-2
SHIFTER ASSEMBLY TO JOYSTICK FNR CONVERSION KIT.....	3160-64	SPEAKER, RADIO (SERIAL NO.600741-).....	2001-3C
SHORT BLOCK GASKET KIT.....	0452-2	SPEAKER, RADIO (SER.NO. 590068-600740).....	2001-3A
SHORT BLOCK KIT.....	0404-4	SPEED SENSOR, ENGINE.....	0402-7
SHROUD,FAN.....	0511-2	SPIN CONTROL PRESSURE TRANSDUCER.....	1674-36
SIDE SHIELDS, ENGINE.....	1910-4	SPIN CONTROL WIRING HARNESS.....	1674-36
SIGHT GAUGE, TRANSMISSION.....	0360-6	SPIRAL BEVEL.....	0210-38
SINGLE LEVER CONTROLL MOUNTING PLATE AND HOSES (SER. NO. 590068-).....	3160-44	SPIRAL BEVEL.....	0210-39
SINGLE LEVER CONTROLLER (SERIAL NO. -590067).....	3160-42	SPIRAL BEVEL GEAR AND SHAFT, FRONT.....	0210-2
SINGLE LEVER CONTROLLER (SERIAL NO. 590068-).....	3160-44	SPIRAL BEVEL GEAR AND SHAFT, FRONT.....	0210-3
SINGLE LEVER CONTROLLER COMPONENTS (SER. NO. -590067).....	3160-46	SPIRAL BEVEL INPUT PINION AND RING GEAR SET (RE35712).....	0210-38
SINGLE LEVER CONTROLLER COMPONENTS (SER. NO. -590067).....	3160-48	SPIRAL BEVEL INPUT PINION AND RING GEAR SET (YZ120718).....	0210-39
SINGLE LEVER CONTROLLER FITTINGS (SER. NO. -590067).....	3160-42	SPRING KITS, SEAT (MECHANICAL SUSPENSION).....	1821-8
SINGLE LEVER CONTROLLER FITTINGS (SER. NO. 590068-).....	3160-44	SPRING PIN LATCH, FULL COVERAGE REAR FENDERS.....	1927-6
SINGLE LEVER CONTROLLER MOUNTING PLATE AND HOSES (SER. NO. -590067).....	3160-42	SPRING PIN LATCH, FULL COVERAGE REAR FENDERS.....	1927-8
SINGLE LEVER CONTROLLER REPAIR KIT (CONTINUED)(SER. NO. -590067).....	3160-48	SPRING SEAT SUSPENSION KIT (MECHANICAL SUSPENSION).....	1821-4
SINGLE LEVER CONTROLLER REPAIR KIT (SER. NO. -590067).....	3160-46	STANDARD DIFFERENTIAL.....	0210-12
SINGLE LEVER CONTROLLER W/AUX FITTINGS (SER. NO. 590068-).....	3160-54	STANDARD DIFFERENTIAL (YZ121182).....	0210-56
SINGLE LEVER CONTROLLER W/AUX MOUNTING PLATE AND HOSES (SER. NO. 590068-).....	3160-54	STANDARD DIFFERENTIAL CASE (YZ120948).....	0210-52
SINGLE LEVER CONTROLLER W/AUX MTG. PLATE AND HOSES (SER. NO. -590067).....	3160-52	STANDARD DIFFERENTIAL CASE, NON-OSCILLAT ING, FRONT.....	0210-10
SINGLE LEVER CONTROLLER WITH AUX.(SERIAL NO. -590067).....	3160-52	STANDARD DIFFERENTIAL CASE, REAR.....	0210-8
SINGLE LEVER CONTROLLER WITH AUX.(SERIAL NO. 590068-).....	3160-54	STANDARD DIFFERENTIAL 1400 SERIES (YZ120983).....	0210-54
SINGLE LEVER PILOT CONTROLLER LEVER (SER. NO. -590067).....	3160-46	STANDARD INPUT HOUSING, NON-OSCILLATING (YZ121049).....	0210-48
SINGLE LEVER PILOT CONTROLLER MOUNTING PLATE (CONTINUED)(SER. NO. -590067).....	3160-48	STARING AID FLUID.....	0505-6
SINGLE LEVER TO TWO LEVER CONVERSION KIT (SER. NO. 590068-).....	3160-30	STARING AID,COLD WEATHER.....	0505-6
SINGLE-LEVER CONTROLLER WITH AUXILIARY FITTINGS (SER. NO. -590067).....	3160-52	START AID, ETHER.....	0505-6
SLIDE LATCH KIT, SEAT.....	1821-3C	STARTER (24V).....	0422-2
SLIDE PUCK KIT,SEAT.....	1821-3C	STARTER IGNITION SWITCH (CAB) (SN -590067).....	1674-8
		STARTER IGNITION SWITCH (CAB) (SN XXXXXX-).....	1674-9E
		STARTER IGNITION SWITCH (CAB) (SN 590068-XXXXXX).....	1674-9A

ALPHABETICAL INDEX - CONTINUED

	PAGE		PAGE
STARTER IGNITION SWITCH (CAB) (SN 590068-XXXXXX)(CONTINUED).....	1674-9C	SUSPENSION SEAT KITS (MECHANICAL SUSPENSION).....	1821-4
STARTER SWITCH (24V).....	0422-2	SUSPENSION SEAT KITS (MECHANICAL SUSPENSION).....	1821-8
STEERING AND LOADER HYDRAULIC PUMP CONTROL VALVES.....	2160-4	SUSPENSION SEAT SPRING KIT (MECHANICAL SUSPENSION).....	1821-4
STEERING AND LOADER HYDRAULIC PUMP REPAIR KITS.....	2160-6	SUSPENSION, SEAT.....	1821-2
STEERING COLUMN (SER. NO. -590067).....	0962-2	SWITCH INTERFACE, CONTROL PANEL (SN -590067).....	1674-8
STEERING COLUMN (SER. NO. 590068-).....	0962-3A	SWITCH INTERFACE, CONTROL PANEL (SN XXXXXX-).....	1674-9E
STEERING COLUMN CLAMP AND COVER (SER. NO. 590068-).....	1674-25A	SWITCH INTERFACE, CONTROL PANEL (SN 590068-XXXXXX).....	1674-9A
STEERING COLUMN COVER.....	0962-6	SWITCH INTERFACE, CONTROL PANEL (SN 590068-XXXXXX)(CONTINUED).....	1674-9C
STEERING COLUMN LINKAGE (SER. NO. -590067).....	0962-2	SWITCH WIPER.....	1810-24
STEERING COLUMN LINKAGE (SER. NO. 590068-).....	0962-3A	SWITCH, A/C AND HEATER BLOWER.....	1674-35
STEERING COLUMN REPAIR KIT (SER. NO. -590067).....	0962-2	SWITCH, A/C AND HEATER THERMOSTAT.....	1830-3A
STEERING COLUMN REPAIR KIT (SER. NO. 590068-).....	0962-3A	SWITCH, AIR CONDITIONING SHUTOFF (SER. NO. -590067).....	1674-1
STEERING COLUMN, LOWER.....	0962-4	SWITCH, AUTOMATIC TRANSMISSION (SER. NO. -590067).....	1674-1
STEERING CYLINDER.....	0965-10	SWITCH, BRAKE VALVE.....	1062-2
STEERING CYLINDER FITTINGS.....	0960-14	SWITCH, BRAKE VALVE.....	1062-3A
STEERING CYLINDER HYDRAULIC HOSES.....	0963-2	SWITCH, CAB WORK LIGHT (SER. NO. -590067).....	1674-1
STEERING CYLINDER LUBRICATION HOSES.....	0960-14	SWITCH, CLUTCH CUT-OFF (SER. NO. -590067).....	1674-1
STEERING CYLINDER PIN.....	3140-2	SWITCH, DIFFERENTIAL LOCK.....	0260-6
STEERING CYLINDER PIN.....	3140-3A	SWITCH, DOMELIGHT, DOOR ACTIVATED.....	1674-11
STEERING CYLINDER REPAIR KIT.....	0965-10	SWITCH, DOOR LIGHT.....	1673-5
STEERING HYDRAULIC PUMP.....	2160-2	SWITCH, DRIVE LIGHT (SER. NO. -590067).....	1674-1
STEERING VALVE.....	0962-8	SWITCH, FOUR-WAY FLASHER (SER. NO. -590067).....	1674-1
STEERING VALVE BRACKET.....	0962-4	SWITCH, FRONT WINDOW DEFROST (SER. NO. -590067).....	1674-1
STEERING VALVE FITTINGS.....	0962-8	SWITCH, HEATER AND A/C BLOWER MOTOR.....	1830-3A
STEERING VALVE SEAL KIT.....	0962-10	SWITCH, HORN (SER. NO. -590067).....	0962-2
STEERING WHEEL (SER. NO. -590067).....	0962-2	SWITCH, HORN (SER. NO. 590068-).....	0962-3A
STEERING WHEEL (SER. NO. 590068-).....	0962-3A	SWITCH, HYDRAULIC PILOT ENABLE/BOOM DOWN (SER. NO. -590067).....	1674-1
STEERING, SECONDARY (SER. NO. -590067).....	0930-2	SWITCH, IGNITION (SER. NO. -590067).....	1674-24
STEERING, SECONDARY (SER. NO. 590068-).....	0930-4	SWITCH, IGNITION (SN -590067).....	1674-8
STEP HANDRAILS.....	1822-4	SWITCH, IGNITION (SN XXXXXX-).....	1674-9E
STEP, ENGINE COMPARTMENT.....	1822-5A	SWITCH, IGNITION (SN 590068-XXXXXX).....	1674-9A
STEPS, OPERATOR ACCESS PLATFORM.....	1822-2	SWITCH, IGNITION (SN 590068-XXXXXX)(CONTINUED).....	1674-9C
STOP LAMP.....	1673-8	SWITCH, KICKDOWN, TWO LEVER PILOT CONTROLLER.....	3160-32
STOP LIGHT.....	1673-8	SWITCH, PARK BRAKE (SER. NO. -590067).....	1674-24
STOP, AXLE (9 DEGREE).....	0210-22	SWITCH, PARK BRAKE (SER. NO. 590068-).....	1674-25A
STRAINER, FUEL FILL.....	0560-4	SWITCH, PARK BRAKE RELEASE (SER. NO. -590067).....	1674-1
STRAP, GROUND.....	1671-2	SWITCH, PIN DISCONNECT (SER. NO. -590067).....	1674-1
STRAPS, ENGINE LIFT.....	0409-4	SWITCH, QUICK COUPLER PIN DISCONNECT (SER. NO. -590067).....	3160-72
SUN VISOR.....	2007-1		
SUPPORT, FAN BLADE HUB.....	0512-2		
SUPPORT, FRONT FENDER (SERIAL NO. -588861).....	1927-4		
SUPPORT, FRONT FENDER (CHARCOAL) (SERIAL NO. XXXXXX-).....	1927-5A		
SUPPORT, FRONT FENDER (FULL COVERAGE) (GRAY)(SERIAL NO. 588862-).....	1927-5C		
SUPPORTS, DIFFERENTIAL.....	0210-18		
SUPPORTS, DIFFERENTIAL (SN XXXXXX-).....	0210-20		
SUPPORTS, MOUNTING, TRANSMISSION.....	0342-2		
SUSPENSION SEAT (AIR SUSPENSION).....	1821-10		
SUSPENSION SEAT KITS (MECHANICAL SUSPENSION).....	1821-6		

ALPHABETICAL INDEX - CONTINUED

	PAGE		PAGE
SWITCH, QUICK COUPLER PIN DISCONNECT (SER. NO. 590068-)	3160-74	TRANSMISSION CONTROL UNIT (SN -590067)	1674-8
SWITCH, REAR WINDOW DEFROST (SER. NO. -590067)	1674-1	TRANSMISSION CONTROL UNIT (SN XXXXXX-)	1674-9E
SWITCH, RETURN TO CARRY (SER. NO. -590067)	1674-1	TRANSMISSION CONTROL UNIT (SN 590068-XXXXXX)	1674-9A
SWITCH, RIDE CONTROL (SER. NO. -590067)	1674-1	TRANSMISSION CONTROL UNIT (SN 590068-XXXXXX)(CONTINUED)	1674-9C
SWITCH, ROTARY BEACON (SER. NO. -590067)	1674-1	TRANSMISSION CONTROL VALVE	0350-16
SWITCH, SECONDARY STEERING (SER. NO. -590067)	0930-2	TRANSMISSION CONTROL VALVE MANIFOLD	0350-19
SWITCH, SECONDARY STEERING (SER. NO. 590068-)	0930-4	TRANSMISSION COVER	0350-29
SWITCH, SPIN CONTROL	1674-36	TRANSMISSION DRIVE SHAFTS	0325-4
SWITCH, START AID (SER. NO. -590067)	1674-1	TRANSMISSION EXTERNAL OIL LINES	0360-2
SWITCH, STARTER (24V)	0422-2	TRANSMISSION FILTER HEAD	0360-8
SWITCH, TRANSMISSION OIL FILTER RESTRICTION INDICATOR	0350-19	TRANSMISSION FITTINGS	0350-2
SWITCH, BATTERY DISCONNECT	1671-3	TRANSMISSION GASKET	0350-29
SWITCH, COLD WEATHER STARTING AID	0505-6	TRANSMISSION GEARSHIFT SYSTEM	0350-16
SWITCH, TRANSMISSION OIL FILTER RESTRICTION INDICATOR	0360-8	TRANSMISSION INTERNAL OIL LINES	0350-26
T			
T.C.U. (SER. NO. -590075)	1674-43	TRANSMISSION LINES, THERMAL BYPASS VALVE	0360-2
TANK, FUEL	0560-2	TRANSMISSION MOUNTING SUPPORTS	0342-2
TANK, WINDOW WASHER	1810-6	TRANSMISSION OIL COOLER	0511-2
TANK, RADIATOR OVERFLOW	0511-2	TRANSMISSION OIL FILL	0360-6
TEETH, LOADER BUCKET	3102-4	TRANSMISSION OIL FILTER	0360-8
TEMPERATURE CONTROL	1830-2	TRANSMISSION OIL FILTER RESTRICTION INDICATOR SWITCH	0350-19
TEMPERATURE SENDER, HYDRAULIC	2160-8	TRANSMISSION OIL FILTER RESTRICTION INDICATOR SWITCH	0360-8
TEMPERATURE SENDER, HYDRAULIC	2160-9A	TRANSMISSION OIL LINES, INTERNAL	0350-26
TEMPERATURE SENSOR, COOLANT	1674-7	TRANSMISSION PUMP	0350-28
TEMPERATURE SENSOR, ENGINE	0418-2	TRANSMISSION SHIELDS	1913-3
TEMPERATURE SENSOR, TRANSMISSION	0350-16	TRANSMISSION SHIELDS	1913-3A
TENSIONER, BELT (55 AMP)	1672-2	TRANSMISSION SIGHT GAUGE	0360-6
TENSIONER, BELT (80 AMP)	1672-6	TRANSMISSION SPEED SENSOR	0350-36
THERMAL BY-PASS VALVE COMPONENTS, TRANSMISSION	0360-3A	TRANSMISSION TEMPERATURE SENSOR	0350-16
THERMAL BYPASS VALVE LINES, TRANSMISSION	0360-2	TRANSMISSION THERMAL BYPASS VALVE	0360-2
THERMAL BYPASS VALVE, TRANSMISSION	0360-2	TRANSMISSION THERMAL BYPASS VALVE COMPONENTS	0360-3A
THERMOSTAT	0418-2	TRANSMISSION WIRING HARNESS (SER. NO. -590067)	1674-22
THERMOSTAT HOUSING	0418-2	TRANSMISSION WIRING HARNESS (SER. NO. 590068-)	1674-23A
THERMOSTAT, A/C AND HEATER SWITCH	1830-3A	TRANSMISSION WIRING HARNESS (SER. NO. 590068-)	1674-23C
THREE SPOOL CONTROL VALVE HOSE	3160-24	TRANSMISSION-TO-DIFFERENTIALS AND ENGINE DRIVE-SHAFTS (WITH/WITHOUT DISCONNECT)	0325-2
THREE SPOOL CONTROL VALVE PLUMBING MOUNTING BRACKET	3160-24	TRAY, ASH	2006-2
TIMING GEAR COVER	0402-6	TUBE SEAL	0417-2
TIMING GEAR COVER GASKET	0402-6	TUBE, ENGINE OIL DIPSTICK	0407-3
TORQ-GARD ENGINE OIL	1369-1	TUBES, OIL COOLER	0419-1
TORQUE CONVERTER	0350-18	TUBES, OIL COOLER BYPASS	0419-2
TORQUE CONVERTER DRIVE SHAFT	0350-40	TURBOCHARGER	0416-2
TORQUE CONVERTER HOUSING	0350-40	TURBOCHARGER GASKET	0416-2
TORQUE CONVERTER HOUSING COVER	0350-40	TURBOCHARGER OIL LINES	0416-2
TRANSDUCER, SPIN CONTROL PRESSURE	1674-36	TURBOCHARGER WASTEGATE KIT	0416-2
TRANSMISSION	0350-2	TURN AND MARKER LIGHT	1673-2
TRANSMISSION BOTTOM GUARD	1740-3A	TURN AND MARKER LIGHT	1673-3A
TRANSMISSION BOTTOM GUARD	1746-2	TURN LAMP	1673-8
TRANSMISSION BOTTOM GUARD	1746-3A	TURN LIGHT	1673-8
TRANSMISSION CONTROL UNIT (SER. NO. -590075)	1674-43	TURN SIGNAL FLASHER RELAY (S.N. -590067)	1674-37
		TWO LEVER CONTROLLER (SERIAL NO. - 590067)	3160-28
		TWO LEVER CONTROLLER (SERIAL NO. 590068-)	3160-30
		TWO LEVER CONTROLLER FITTINGS (SER. NO. -590067)	3160-28
		TWO LEVER CONTROLLER FITTINGS (SER. NO. 590068-)	3160-30

ALPHABETICAL INDEX - CONTINUED

	PAGE		PAGE
TWO LEVER CONTROLLER MOUNTING PLATE AND HOSES (SER. NO. -590067).....	3160-34	VALVE, FUEL INJECTION PUMP OVERFLOW	0413-2
TWO LEVER CONTROLLER MOUNTING PLATE AND HOSES (SER. NO. 590068-).....	3160-30	VALVE, FUEL INJECTION PUMP OVERFLOW	0413-4
TWO LEVER CONTROLLER MOUNTING PLATE AND HOSES (SER. NO. -590067).....	3160-28	VALVE, FUEL INJECTION PUMP PRESSURE LIMITER	0413-2
TWO LEVER CONTROLLER WITH AUX. (SERIAL NO. -590067).....	3160-34	VALVE, FUEL INJECTION PUMP PRESSURE LIMITER	0413-4
TWO LEVER CONTROLLER WITH AUX. FITTINGS (SER. NO. -590067).....	3160-34	VALVE, INLET	3160-8
TWO LEVER CONTROLLER WITH AUX.(SERIAL NO. 590068-).....	3160-36	VALVE, INLET SECTION WITH RELIEF VALVE	3160-8
TWO LEVER PILOT CONTROLLER	3160-32	VALVE, LOADER CONTROL (2-SPOOL)	3160-2
TWO LEVER PILOT CONTROLLER BOOT	3160-32	VALVE, LOADER CONTROL (3-SPOOL)	3160-4
TWO LEVER PILOT CONTROLLER COMPONENTS	3160-32	VALVE, LOADER CONTROL (4-SPOOL)	3160-6
TWO LEVER PILOT CONTROLLER SOLENOID.....	3160-32	VALVE, OIL COOLER BYPASS	0419-1
TWO LEVER PILOT CONTROLLER WITH AUX. AND HYDRAULIC HOSES (SER. NO. 590068-)	3160-36	VALVE, OIL FILTER BYPASS.....	0407-6
TWO LEVER PILOT CONTROLLER WITH DUAL AUX. CONTROLLERS (SER.NO. -590067)	3160-38	VALVE, OIL PRESSURE REGULATING.....	0407-6
TWO LEVER PILOT CONTROLLER WITH DUAL AUX (SER. NO. -590067)	3160-38	VALVE, PIN DISCONNECT (SERIAL NO. 590068-)	3160-76
TWO LEVER TO SINGLE LEVER CONVERSION KIT (SER. NO. 590068-)	3160-44	VALVE, PNEUMATIC PRESSURE (ESN -249016).....	0420-2
TWO LEVER WITH AUX. TO JOYSTICK WITH AUX. CONVERSION KIT (SER. NO. 590068-)	3160-54	VALVE, QUICK COUPLER PIN DISCONNECT (SER. NO. -590067)	3160-72
TWO SPOOL CONTROL VALVE HOSE.....	3160-22	VALVE, QUICK COUPLER PIN DISCONNECT (SERIAL NO. 590068-)	3160-76
TWO SPOOL CONTROL VALVE PLUMBING MOUNTING BRACKET	3160-22	VALVE, REGULATING (SERIAL NO. 590068-).....	3160-50
		VALVE, RIDE CONTROL	3160-70
U		VALVE, SOLENOID, PARK BRAKE	1162-2
U-JOINT ASSEMBLY (SERIAL NO. 590068-).....	3160-50	VALVE, SOLENOID, PARK BRAKE	1162-4
		VALVE, SOLENOID, REVERSE FAN DRIVE (FIELD INSTALLED).....	0567-8
		VALVE, STEERING	0962-8
		VALVE, STEERING, BRACKET	0962-4
		VALVE, STEERING, KIT	0962-10
		VALVE, TRANSMISSION THERMAL BYPASS.....	0360-2
		VALVE, CONVERTER RELIEF	0350-20
		VALVE, HEATER SHUT-OFF	1830-16
		VALVE, PIN DISCONNECT (SERIAL NO. - 590067)	3160-78
		VALVE, RIDE CONTROL	3160-68
		VALVES, ENVIRONMENTAL DRAIN	1369-12
		VEHICLE ELECTRICAL CENTER (S.N. 590068-).....	1674-38
		VENTILATING SYSTEM	0408-1
		VENTILATOR OUTLET HOSE	0408-1
		VISOR, SUN	2007-1
		VOLTAGE REGULATOR (55 AMP)	1672-2
		W	
		WASTE HANDLER BUCKET	3102-6
		WASTE HANDLER BUCKET CUTTING EDGE.....	3102-6
		WASTE HANDLER LINKAGE CENTER PIVOT PIN.....	3140-7A
		WASTE HANDLER LOADER BOOM.....	3140-7A
		WASTEGATE KIT, TURBOCHARGER	0416-2
		WATER MANIFOLD GASKET	0418-2
		WATER MANIFOLD, FRONT	0418-2
		WATER PUMP	0417-2
		WATER PUMP GASKET	0417-2
		WATER PUMP O-RING	0417-2
		WATER PUMP OIL SEAL	0417-2
		WATER PUMP RETAINING RING	0417-2
		WATER PUMP SEAL KIT	0417-2
		WATER TEMPERATURE SENSOR, ENGINE	0418-2
		WHEEL RIM (FIVE PIECE RIM) (25 X 17) (25 X 19.5).....	0110-4
		WHEEL RIM ASSEMBLY (FIVE PIECE RIM) (25 X 17) (25 X 19.5).....	0110-4
VALVE COMPONENTS, AUXILIARY SECTION	3160-12		
VALVE COMPONENTS, HYDRAULIC OIL PRESSURE REGULATOR (SER. NO. -590067)	2160-14		
VALVE COMPONENTS, PIN DISCONNECT	3160-80		
VALVE COMPONENTS, PIN DISCONNECT (SERIAL NO. - 590067).....	3160-78		
VALVE COMPONENTS, TRANSMISSION THERMAL BYPASS	0360-3A		
VALVE COVER.....	0402-2		
VALVE LINES, TRANSMISSION THERMAL BYPASS	0360-2		
VALVE MANIFOLD, TRANSMISSION CONTROL.....	0350-19		
VALVE SECTION, AUXILIARY	3160-10		
VALVE SECTION, BUCKET.....	3160-10		
VALVE STEM, WHEEL RIM (FIVE PIECE) (25 X 17) (25 X 19.5).....	0110-4		
VALVE STEM, WHEEL RIM (THREE PIECE RIM) (25 X 22).....	0110-2		
VALVE, AUXILIARY.....	3160-12		
VALVE, AXLE DISCONNECT (SERIAL NO. 590068-)	3160-76		
VALVE, BOOM SECTION	3160-10		
VALVE, BRAKE	1062-2		
VALVE, BRAKE	1062-3A		
VALVE, FIFTH FUNCTION SECTION	3160-20		
VALVE, FUEL INJECTION PUMP CHECK	0413-2		
VALVE, FUEL INJECTION PUMP CHECK	0413-4		
VALVE, FUEL INJECTION PUMP FLOW LIMITER	0413-2		
VALVE, FUEL INJECTION PUMP FLOW LIMITER	0413-4		

0001-29

724J LOADER

ALPHABETICAL INDEX - CONTINUED

	PAGE		PAGE
WHEEL RIM ASSEMBLY (THREE PIECE RIM) (25 X 22).....	0110-2	WIRING HARNESS, LOADER FRAME (SER. NO. 590068-)	1674-23C
WHEEL RIM VALVE STEM (THREE PIECE RIM) (25 X 22).....	0110-2	WIRING HARNESS, MAIN (SER. NO. -590067)	1674-22
WHEEL RIM, HEAVY DUTY (FIVE PIECE) (25 X 17) (25 X 19.5).....	0110-4	WIRING HARNESS, MAIN (SER. NO. 590068-)	1674-23A
WHEEL RIM, LOGGER (ONE PIECE) (28 X 26).....	0110-6	WIRING HARNESS, MAIN (SER. NO. 590068-)	1674-23C
WHEEL SPACER.....	0110-8	WIRING HARNESS, REAR FRAME (SER. NO. -590067)	1674-22
WHEEL, STEERING (SER. NO. -590067)	0962-2	WIRING HARNESS, REAR FRAME (SER. NO. 590068-)	1674-23A
WHEEL, STEERING (SER. NO. 590068-)	0962-3A	WIRING HARNESS, REAR FRAME (SER. NO. 590068-)	1674-23C
WINDOW WASHER PUMP	1810-6	WIRING HARNESS, SPIN CONTROL.....	1674-36
WINDOW WASHER TANK.....	1810-6	WIRING HARNESS, TRANSMISSION (SER. NO. -590067)	1674-22
WINDOW WASHER TANK CAP	1810-6	WIRING HARNESS, TRANSMISSION (SER. NO. 590068-)	1674-23A
WINDOW WASHER, FRONT AND REAR.....	1810-6	WIRING HARNESS, TRANSMISSION (SER. NO. 590068-)	1674-23C
WINDOWS.....	1810-14	WIRING HARNESS, TRANSMISSION (SER. NO. -590067)	1674-22
WINDSHIELD WIPER (FRONT).....	1810-20	WIRING HARNESS, TRANSMISSION (SER. NO. 590068-)	1674-23C
WINDSHIELD WIPER, REAR.....	1810-18	WIRING HARNESS,ENGINE FRAME (SER. NO. -590067)	1674-22
WIPER ARM (FRONT).....	1810-20	WIRING, A/C AND HEATER BLOWER.....	1674-35
WIPER BLADE	1810-18	WIRING, HVAC	1674-35
WIPER BLADE (FRONT).....	1810-20	WORK LAMP, FRONT AND REAR	1673-10
WIPER MOUNTING BRACKETS	1810-24	WRIST ARM REST (SER. NO. 590068-)	1816-3A
WIPER SWITCH.....	1810-24	WRIST ARM REST (USE ONLY WITH TWO-LEVER CONTROLLERS)(SER. NO. -590067)	1816-2
WIRE HARNESS,SECONDARY STEERING (SER. NO. -590067)	0930-2	Y	
WIRE HARNESS,SECONDARY STEERING (SER. NO. 590068-)	0930-4	YOKE WITH SLINGER (YZ120751).....	0210-40
WIRING HARNESS, CAB (SN -590067).....	1674-8	YOKE, INPUT.....	0210-1
WIRING HARNESS, CAB (SN XXXXXX-)	1674-9E	YOKE, INPUT (YZ120751).....	0210-40
WIRING HARNESS, CAB (SN 590068-XXXXXX)	1674-9A		
WIRING HARNESS, CAB (CONTINUED) (SN 590068-XXXXXX)	1674-9C		
WIRING HARNESS, ENGINE (SER. NO. -590067)	1674-22		
WIRING HARNESS, ENGINE (SER. NO. 590068-)	1674-23A		
WIRING HARNESS, ENGINE (SER. NO. 590068-)	1674-23C		
WIRING HARNESS, ENGINE FRAME (SER. NO. 590068-)	1674-23A		
WIRING HARNESS, ENGINE FRAME (SER. NO. 590068-)	1674-23C		
WIRING HARNESS, FRONT CONSOLE (SER. NO. -590067)	1674-24		
WIRING HARNESS, FRONT CONSOLE (SER. NO. 590068-)	1674-25A		
WIRING HARNESS, LOAD CENTER (SN -590067).....	1674-8		
WIRING HARNESS, LOAD CENTER (SN XXXXXX-)	1674-9E		
WIRING HARNESS, LOAD CENTER (SN 590068-XXXXXX)	1674-9A		
WIRING HARNESS, LOAD CENTER (SN 590068-XXXXXX)(CONTINUED).....	1674-9C		
WIRING HARNESS, LOADER FRAME (SER. NO. -590067)	1674-22		
WIRING HARNESS, LOADER FRAME (SER. NO. 590068-)	1674-23A		

0001-28

724J LOADER
724J LOADER

MEMORANDA
MEMORANDA
MEMORANDA

0110-1

WHEELS 1

POWERED WHEELS, TIRES AND FASTENINGS 0110

MEMORANDA
MEMORANDA
MEMORANDA

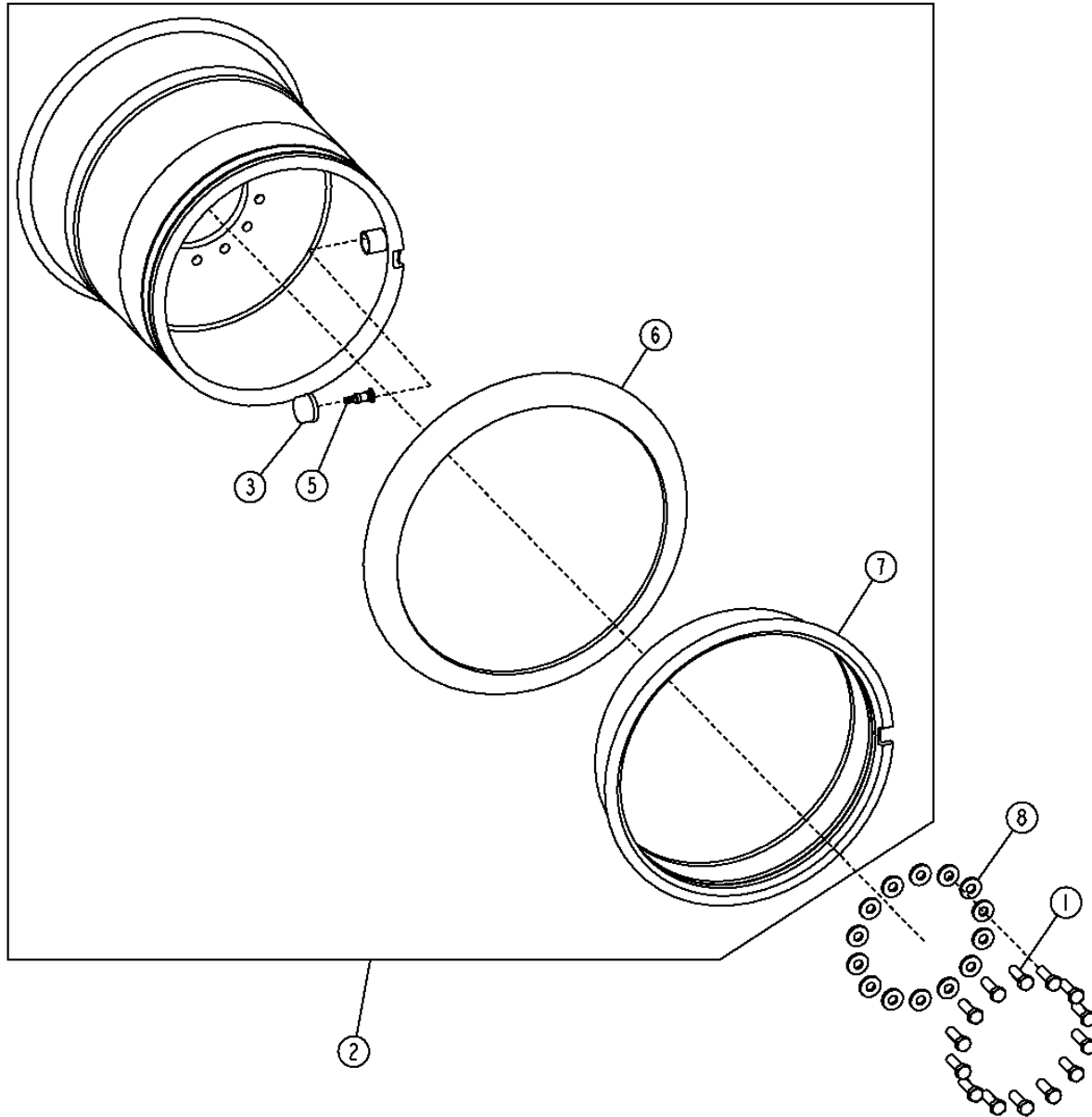
0110-2

WHEELS 1

POWERED WHEELS, TIRES AND FASTENINGS 0110
WHEEL RIM ASSEMBLY (HD 724) (25 X 22) (THREE PIECE)
JANTE DE ROUE (25 X 22) (TROIS PIECES)
CONJUNTO DE ARO DE RUEDA (25 X 22) (TRES PIEZAS)

TX1013149

-UN-16OCT06



TX1013149

0110-3

WHEELS 1

POWERED WHEELS, TIRES AND FASTENINGS 0110
WHEEL RIM ASSEMBLY (HD 724) (25 X 22) (THREE PIECE)
JANTE DE ROUE (25 X 22) (TROIS PIECES)
CONJUNTO DE ARO DE RUEDA (25 X 22) (TRES PIEZAS)

KEY	PART NO.	PART NAME	QTY.	SERIAL NO.	REMARKS
1	19M8224	CAP SCREW	14		M20 X 60
2	AT300679	WHEEL	1		
3	15H710	FITTING	1		1-1/2"
5	AT335172	TIRE VALVE STEM	1		
6	R29477	WHEEL RING	1		
7	U43961	WHEEL RING	1		
8	T151797	WASHER	14		

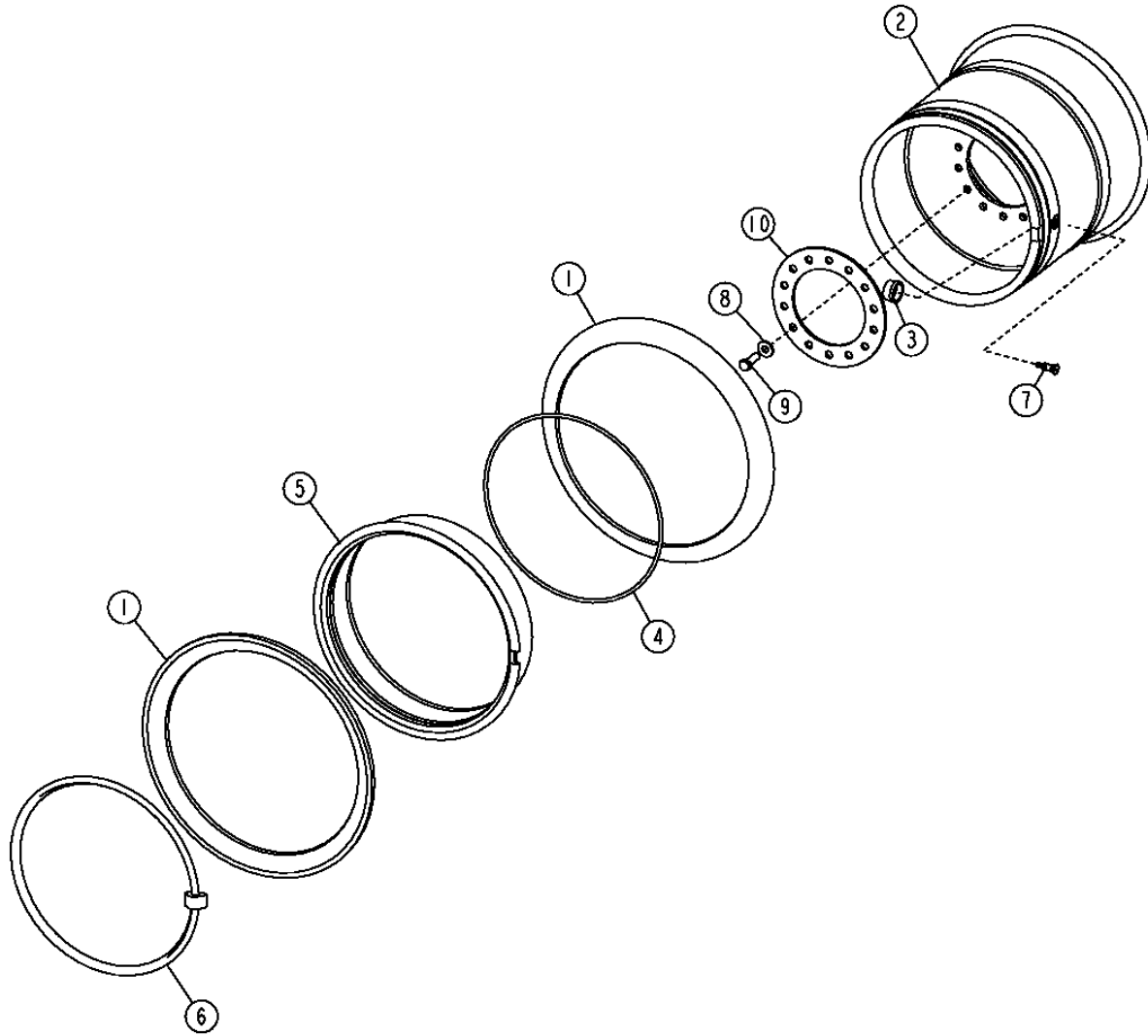
0110-4

WHEELS 1

POWERED WHEELS, TIRES AND FASTENINGS 0110
WHEEL RIM ASSEMBLY (FIVE PIECE)
JANTE DE ROUE (CINQ PIECES)
CONJUNTO DE ARO DE RUEDA (CINCO PIEZAS)

T204221

-UN-04NOV04



T204221

0110-5

WHEELS 1

POWERED WHEELS, TIRES AND FASTENINGS 0110
WHEEL RIM ASSEMBLY (FIVE PIECE)
JANTE DE ROUE (CINQ PIECES)
CONJUNTO DE ARO DE RUEDA (CINCO PIEZAS)

KEY	PART NO.	PART NAME	QTY.	SERIAL NO.	REMARKS
1	T174997	RING	2		(USE WITH 25"X17"X2.0 MP RIM)
	R29477	WHEEL RING	2		(USE WITH 25"X19.5"X2.5 MP RIM)
2	AT219855	WHEEL	1		(25"X17"X2.0 MP RIM) (20.5 INCH WIDE TIRE)
	AT225170	WHEEL	1		(25"X19.5"X2.5 MP RIM) (23.5 INCH WIDE TIRE) (HEAVY DUTY) (SUB FOR AT208156)
	AT103559	WHEEL	1		26XDW25A RIM YELLOW ENAMEL 29.5 INCH WIDE TIRE
	AT300679	WHEEL	1		(25"X22"X2.5 MP RIM)
3	15H710	FITTING	1		
4	R29480	O-RING	1		
5	U43961	WHEEL RING	1		(USE WITH 25"X17"X2.0 MP RIM AND 25"X19" X2.5" MP RIM)
6	R29479	WHEEL RING	1		
7	AT25226	TIRE VALVE STEM	1		(USE WITH 25"X17"X2.0 MP RIM)
	AT335172	TIRE VALVE STEM	1		(SUB FOR AT67275) (USE WITH 25"X19.5"X2.5 MP RIM)
8	T151797	WASHER	56		
9	19M8224	CAP SCREW	56		M20 X 60
10	T213146	RING	1		(SUB FOR T181909)

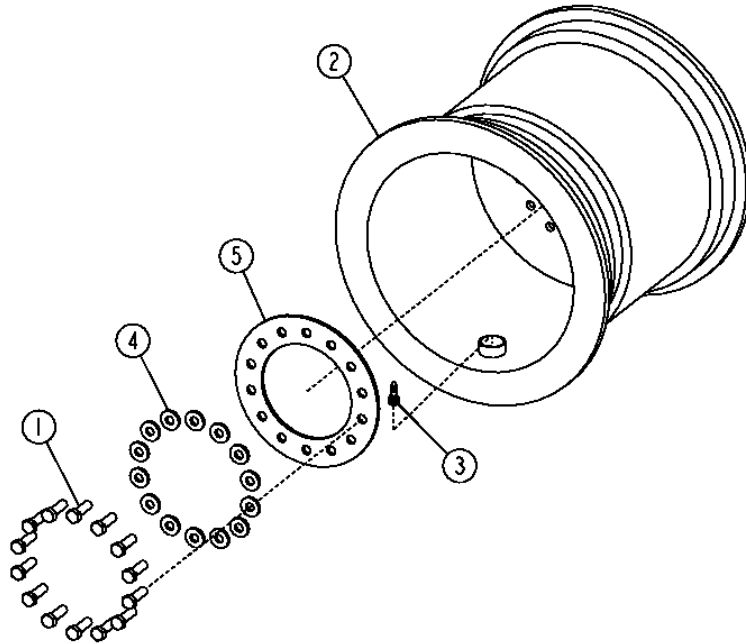
0110-6

WHEELS 1

POWERED WHEELS, TIRES AND FASTENINGS 0110
LOGGER RIM ASSEMBLY (28 X 26) (ONE PIECE)
JANTE DE FOURCHE A RONDINS (28 X 26) (MONOBLOC)
CONJUNTO DE ARO DE LA MANIPULADORA DE TRONCOS (28 X 26) (UNA PIEZA)

T195554

-UN-16OCT03



T195554

0110-7

WHEELS 1

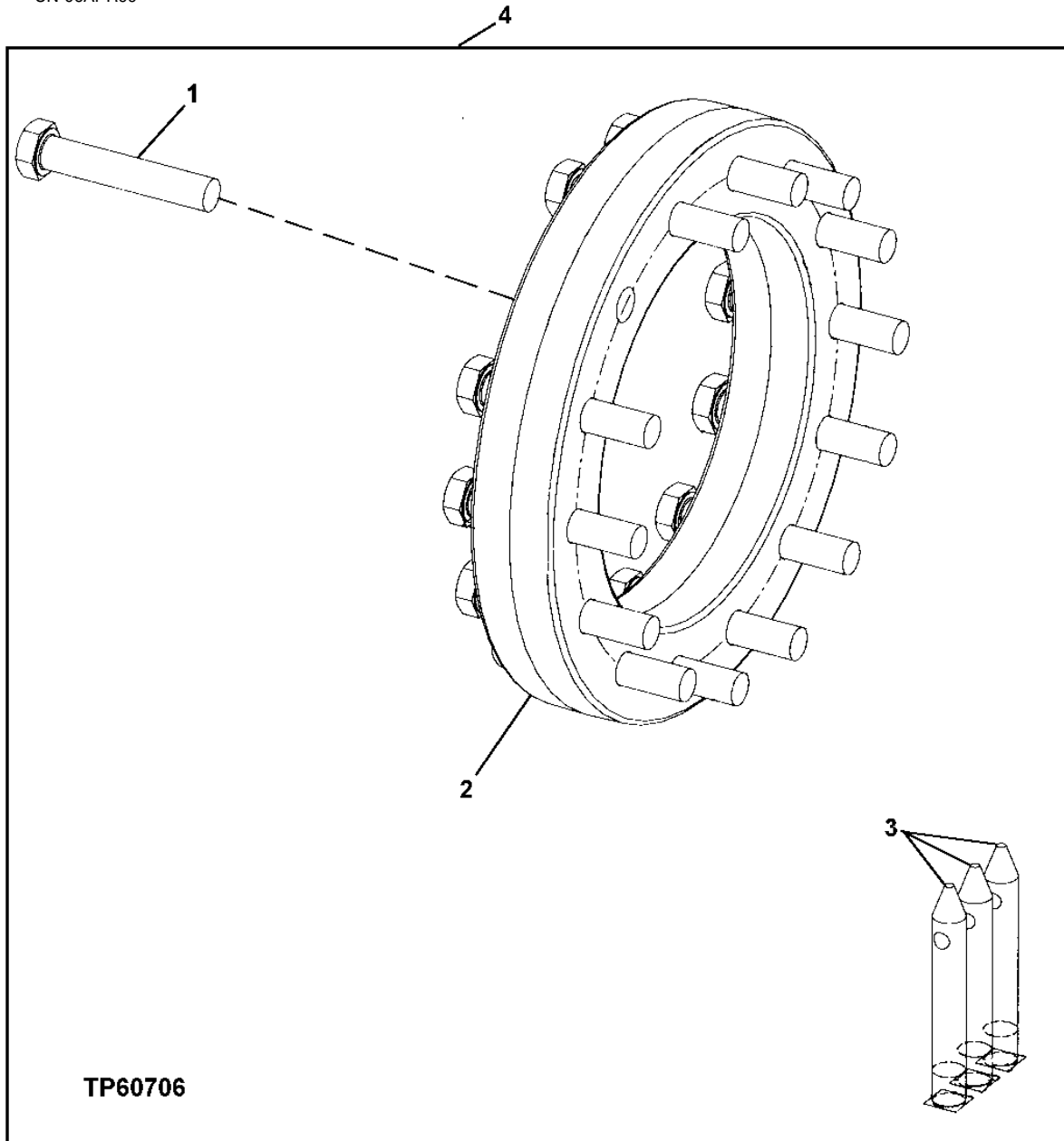
POWERED WHEELS, TIRES AND FASTENINGS 0110
LOGGER RIM ASSEMBLY (28 X 26) (ONE PIECE)
JANTE DE FOURCHE A RONDINS (28 X 26) (MONOBLOC)
CONJUNTO DE ARO DE LA MANIPULADORA DE TRONCOS (28 X 26) (UNA PIEZA)

KEY	PART NO.	PART NAME	QTY.	SERIAL NO.	REMARKS
1	19M8224	CAP SCREW	14		M20 X 60
2	AT103559	WHEEL	1		(711MM X 660MM) (28 X 26 INCH RIM) (30.5 INCH WIDE TIRE)
3	AT25226	TIRE VALVE STEM	1		
4	T151797	WASHER	14		0.812" X 1-7/8" X 0.245"
5	T213146	RING	1		(SUB FOR T181909)

0110-8

**WHEEL SPACER
ECARTEUR DE ROUE
ESPACIADOR DE LA RUEDA**

TP60706 -UN-06APR99



This as a preview PDF file from best-manuals.com



Download full PDF manual at best-manuals.com