

FENDT

FENDT 718 S4

740/00101-06000
WAM740XXX00F06001-99999



PARTS CATALOG

CONTENT

TABLE OF CONTENT	2
ENGINE, FUEL AND EXHAUST SYSTEM	3
CRANKCASE	6
SET OF GASKETS MOTOR	17
ENGINE MOUNTINGS	18
ENGINE BEARINGS	19
TRANSMITTER	20
CRANKCASE BREATHER	22
FRONT COVER	24
TRANSMITTER	26
GEARCASE	28
ADAPTER HOUSING	31
FEMALE	33
ENGINE MOUNTING	35
CYLINDER HEAD	36
VALVE COVER	37
ROCKER ARM	39
CYLINDER HEAD	40
HEAD GASKET	42
VALVE DRIVE	43
CAMSHAFT	44
PISTON	45
CONNECTING ROD	47
CRANKSHAFT	48
MAIN BEARING	49
CRANKSHAFT	50
FLYWHEEL	51
FLYWHEEL COVER	54
OIL PAN	55
OIL FILLER	56
FILLER CAP	57
OIL COOLER BOX	58
OIL FILTER	59

OIL COOLER	60
OIL COOLER BOX	61
COOL.WATER PIPING	63
EXHAUST BEND	64
EXHAUST BEND CONTROL PIPE	65
TURBO-SUPERCHARGER	67
HEATING-FLANGE	69
RELAY HEATING-FLANGE	70
ELECTRIC WIRING	71
ELECTRIC WIRING SHIELD CAP	73
ELECTRIC WIRING	74
CONSOLE FUEL FILTER	75
FUEL FILTER	76
FUEL LINES	77
FUEL PUMP	79
HIGH-PRESSURE PUMP	81
INJECTOR	84
HIGH-PRESSURE ACCUM..	86
METERING UNIT	87
FUEL PRESSURE LINES	90
CHARGED AIR	92
CHARGE AIR ELBOW	93
EGR-MODULE	95
EGR-MODULE SUPPORT BRACKET	97
EGR-MODULE COOL.WATER PIPING	99
WATER PUMP	100
WATER PUMP V-BELT PULLEY	101
WATER PUMP FIXING PARTS	102
WATER PUMP CONNECTING SOCKET	103
THERMOSTAT HOUSING	104
V-BELT	107
TENSION ROLLER	108
FAN SUPPORT	109
FUEL LINES	112
PREFILTER	114
FUEL TANK	115

FUEL TANK SUPPORT.....	116
WATER COOLED RADIATOR.....	117
FAN HOOD.....	118
COOL. WATER PIPING WATER COOLED RADIATOR.....	119
COOL. WATER PIPING EXPANSION TANK.....	120
COOL. WATER PIPING HEATING CONNECTION.....	121
AIR FILTER.....	123
AIR FILTER CLEAN AIR TUBE.....	124
BULKHEAD.....	125
STARTER INSTALLATION FENDER.....	126
CHARGE AIR COOLER.....	127
SILENCER.....	129
CONSOLE SILENCER.....	130
EXHAUST BRAKE.....	132
EXHAUST AFTER-TREATMENT.....	133
EXHAUST AFTER-TREATMENT PARTICLE FILTER.....	134
EXHAUST AFTER-TREATMENT TANK ADBLUE.....	138
EXHAUST AFTER-TREATMENT SUPPLY UNIT.....	139
EXHAUST AFTER-TREATMENT PIPING.....	140
SPEED CONTROL.....	141
VISCO FAN.....	142
ENGINE PRE-HEATER.....	144
AXLES.....	145
AXLE BRIDGE.....	146
DRIVE.....	147
LOCK DIFFERENTIAL.....	149
LOCKABLE DIFFERENTIAL GEAR.....	150
HOUSING DIFFERENTIAL 4WD.....	151
JOINT SHAFTS.....	152
PLANETARY DRIVE.....	153
JOINT HOUSING.....	154
BRACKET BOLT.....	155
STEERING CYLINDER ASSEMBLY.....	156
STEERING CYLINDER.....	157
STEERING CYL.GUARD.....	158
PIPES STEERING CYL.....	159

JOINT SHAFT	160
SHAFT PROTECTION	161
SPRING ASSEMBLY	162
SENSOR SWING ANGLE	163
SPRING CYLINDER	164
TUBES FR.AXLE SPRING	165
FRONT WEIGHT CARRIER	166
HOOP GUARD	167
FRONT WEIGHT CARRIER FRONT AXLE WEIGHT	168
FRONT BALLAST WEIGHT	169
CHASSIS	170
STEERING SYSTEM	171
STEERING WHEEL	172
STEERING COLUMN	173
MOUNTING UNIT	175
STEERING UNIT	177
DRIVE TRAIN SYSTEM	179
DRIVE TRAIN SYSTEM	179
04-0043 GEAR BOX LUBRICATION	179
GEARBOX-HOUSING	180
REAR AXLE HOUSING	181
REAR AXLE COVER	182
OIL LEVEL INDICATOR	183
DIFFERENTIAL	184
FINAL DRIVE	185
DISC BRAKE	189
FOOT BRAKE ACTUATING	190
SENSOR BRAKE PEDAL LOCK	192
BRAKE VALVE	193
ACTUATING CYLINDER	194
PIPES BRAKE SYSTEM	195
HAND BRAKE VALVE	201
PIPES BRAKE SYSTEM	202
CLUTCH ACTUATING	204
CLUTCH DISC	205
BEVEL DRIVE	206

GEARBOX.....	207
COVER.....	208
SUSPENDED GEAR.....	209
SUSPENSION TRANSMISSION.....	210
DUCT PLATE VALVES.....	211
ADJUSTING DEVICE.....	212
TUBES SYSTEM COMFORT.....	214
GROUP GEAR SHIFTING.....	215
P.T.O. CLUTCH.....	216
ENGINE P.T.O.....	217
PUMP DRIVE.....	220
PUMP INSTALLATION.....	221
LUBE OIL PUMP.....	222
GEAR BOX LUBRICATION.....	223
VALVE UNIT.....	225
FILTER.....	226
PIPE DIAGNOSTICS.....	227
OIL COOLER.....	228
VALVE UNIT.....	229
PIPES DIFF.LOCK FR.....	230
FRONT P.T.O. PROPEL.....	231
FRONT P.T.O. CLUTCH.....	232
FRONT P.T.O. TRANSMISSION.....	233
FRONT P.T.O. HOUSING.....	235
FRONT P.T.O.....	236
FRONT WHEEL DRIVE CONSTANT.....	237
FRONT WHEEL DRIVE.....	238
PUMP INSTALLATION.....	240
COMPRESSED AIR SYSTEM.....	241
AIR PRESSER.....	242
PRESSURE PIPES.....	243
AIR DRYER.....	244
AIR TANK.....	246
FITTINGS OPERATOR SEAT.....	247
BRAKE-ARMATURES INST.....	248
TRAILER VALVE.....	251

DOUBLE PIPE BRAKE	253
DOUBLE PIPE BRAKE DUOMATIC CLUTCH	254
DOUBLE PIPE BRAKE	255
AIR BRAKE SINGLE	256
HYDRAULIC SYSTEM	257
HYDRAULIC SYSTEM	257
06-0029 DIRECTIONAL C. VALVE POWER VERSION	257
JOINTS AND GASKETS PLUMBING ASSEMBLY	259
PISTON PUMP POWER VERSION	260
PISTON PUMP	261
PISTON PUMP PROFI VERSION	262
PUMP INSTALLATION	263
PIPES BASIC CIRCUIT	264
TRAILER BRAKE VALVE	268
PIPES HD.TRAIL.BRAKE	269
PIPES POWER-LIFT SINGLE ACTING	270
SHIFT SINGLE ACTING	271
PIPES POWERLIFT SOUBLE ACTING	272
PIPES POWER-LIFT SOUBLE ACTING	273
VALVE UNIT SOUBLE ACTING	274
PIPELINES SUPPORT	275
PIPES-WITH OIL COOL	276
PIPES HYDR. STEERING	277
PIPES EL.HYDR.STEER. VARIOGUIDE	278
VALVE INSTALLATION PROFI VERSION	279
VALVE INSTALLATION POWER VERSION	281
VALVE UNIT	283
VALVE BLOCK ASSEMBLY	284
DIRECTIONAL C. VALVE PROFI	285
DIRECTIONAL C. VALVE POWER VERSION	288
CONTROL VALVE SINGLE ACTING	291
CONTROL VALVE SOUBLE ACTING	294
DIRECTIONAL C. VALVE FRONT POWER LIFT	297
SPACER	300
END PLATE LOWER	301
END PLATE SIDE	303

EXT.PLESS.CONNECTION.....	305
HYDR. CONNECT.....	306
RETURFLOW REAR.....	307
HYDR.CONN. D.A. REAR.....	308
HYDR.CONN. D.A. REAR PROFI VERSION.....	312
COUPLING SLEEVE LEVER.....	313
LEAK OIL LINE LEVER.....	315
LEAK OIL LINE.....	317
HYDR.CONN. D.A.FRONT PROFI VERSION.....	319
HYDR.CONN. D.A.FRONT POWER VERSION.....	321
BOTTLE.....	322
RETURN FLOW FRONT.....	323
ELECTRICAL SYSTEM.....	324
ELECTRICAL SYSTEM.....	324
07-0030 CABLE LOOM MOTOR 1710737.....	324
DYNAMO.....	326
ALTERNATOR.....	327
HEADLIGHT.....	328
HEADLIGHT LED.....	329
LIGHTING FRONT.....	330
LIGHTING.....	331
LIGHTING ENTRY.....	333
LIGHTS CATSEYE.....	334
LICENCE PLATE HOLDER.....	335
CONTROL PART.....	336
CENTRAL ELECTRIC SYSTEM.....	337
SWITCH DRIVERS CAB.....	339
IGNITION SWITCH ID-MODULE.....	340
IGNITION SWITCH IMMOBILIZER SYSTEM.....	341
COLUMN ASSEMB.SWITCH.....	342
SWITCH MOTOR.....	343
TRANSMITTER MOTOR.....	344
TRANSMITTER EXHAUST AFTER-TREATMENT.....	345
SWITCH.....	346
TRANSMITTER GEAR.....	347
CABLE LOOM.....	348

CABLE LOOM VALVES	349
CABLE LOOM BODY RIGHT.....	350
CABLE LOOM BODY LEFT	352
CABLE LOOM MOTOR.....	354
CABLE LOOM SUPPLY	359
CABLE LOOM DRIVERS CAB.....	360
CABLE LOOM CABIN ROOF.....	362
CABLE LOOM CAMERA	363
DISCONNECTION POINTS.....	365
SOCKET F. IMPLEMENTS	370
CABLE LOOM EXTERNAL COUNTER.....	371
REVERSE BEEPER	372
SOCKET FOR ABS	373
BATTERY DISCONNECT RELAY.....	374
BATTERY INSTALLATION.....	375
STARTER INSTALLATION.....	376
STARTER INSTALLATION FIXING PARTS	377
STARTER MOTOR ADAPTOR.....	378
SOCKET FRONT.....	379
SOCKET REAR	380
ADDITIONAL LIGHTING.....	381
WORK LAMP CABIN-ROOF FRONT.....	382
WORK LAMP INDICATOR BRACKET.....	385
WORK LAMP CABIN-ROOF REAR	389
WORK LAMP REAR LIGHT CARRIER	391
SIGNAL LIGHT.....	393
SIGNAL LIGHT LED	394
EXTENDET VEHICLE WIDTH LIGHTING.....	395
EXTENDET VEHICLE WIDTH LIGHTS.....	396
EXTENDET VEHICLE WIDTH SIGNALING PANELS.....	397
DISPLAY	398
TERMINAL 7"	399
TERMINAL 10,4"	401
RADAR SENSOR.....	402
ELECTRONIC BOX	403
CONTROL GEARBOX	404

ARM REST	405
COMFORT SYSTEM.....	407
TACHOGRAPH.....	408
CONTROL UNIT MOTOR.....	409
CAB	411
CABIN FRAME	417
COLUMN PANELLING	419
CLAMPING PARTS	421
ROOF	422
ROOF HATCH.....	423
COATING ROOF	425
COATING.....	426
LEFT HAND DOOR.....	427
DOOR LOCK.....	429
RIGHT HAND DOOR.....	430
DOOR LOCK.....	431
WINDSCREEN	432
SIDE PANE.....	433
REAR WINDOW PANE.....	434
FLOOR COVERING	435
COATING.....	437
DRIVERS-CABIN OUTFIT	439
CELL PHONE SUPPORT BRACKET.....	440
SUPPORT BRACKET TERMINAL	441
INTERIOR LIGHTING	442
RADIO INSTALLATION KIT	443
HANDS-FREE SPEAKING	445
REAR VIEW MIRROR.....	446
REARVIEW MIRROR	449
SUN VISOR.....	450
WINDSHIELD WIPER	451
WINDSCREEN WASH-INST	455
TUBES HEATING.....	458
AERATION	459
INSTRUCTOR SEAT PROFI	463
INSTRUCTOR SEAT POWER VERSION	464

INSTRUCTOR SEAT	465
PIPING DRIVER SEAT	467
ARM SUPPORT	468
DRIVER SEAT	469
OPERATOR SEAT	470
DRIVER SEAT	471
COMPRESSOR	472
SEAT SPRING ASSY	473
SERVICE PACKAGE	476
SAFETY BELT OPERATOR SEAT	477
OPERATOR SEAT	479
DRIVER SEAT	481
SEAT SPRING ASSY	486
ARM REST	492
OPERATOR SEAT	493
SEAT SPRING ASSY	496
BASE PLATE	499
OPERATOR SEAT 3PKT BELT	500
SECURITY BELT 3PKT BELT	503
SEAT SPRING ASSY 3PKT BELT	504
OPERATOR SEAT	507
DRIVER SEAT	511
OPERATOR SEAT	512
SEAT SPRING ASSY	513
AIR CONDITIONING AND HEATING SYSTEM	516
COMPRESSOR INSTALL	517
TUBES F.REFRIG.FLUID	518
CONDENSER	519
CHASSIS	520
BODY	521
TRACTOR HOOD	523
CLAMPING PARTS	525
FRONT GRILL	526
FRONT MODULE	527
SIDE PART	528
FRONT MODULE	530

FRONT MODULE LED	531
ENTRY	533
COVER	535
TOOLS	537
TOOL BOX	538
BASE FOR FRAME	539
AIR PIPE	542
LABELING	544
WARNING PLATE	548
BASE	549
WHEELS	550
FRONT DISC WHEELS	551
REAR WHEELS	552
ADJUST. FRONT WHEELS 13 X 34	554
ADJUST. FRONT WHEELS	555
ADJUSTAB.REAR WHEELS	556
ADJUSTAB.REAR WHEELS 16 X 42	557
ADJUSTAB.REAR WHEELS 16 X 46	558
WHEEL HUB	559
ADAPTOR	561
MUDGUARD FRONT	562
ADDITIONAL PARTS	565
MUDGUARD REAR	566
MUDGUARD ENLARGEMENT	568
IMPLEMENT LIFT SYSTEM FRONT	571
CHASSIS FRONT POWER LIFT	572
DOUBLE ACTING HYDRAULIC CYLINDER	573
TUBE FRONT	574
TUBE CENTER	576
VALVE UNIT	578
SENSOR COMFORT SYSTEM	579
TOP LINK	580
TOP LINK SUPPORT BRACKET	581
BOTTOM LINK	582
IMPLEMENT LIFT SYSTEM REAR	583
POWER LIFT	584

DOUBLE ACTING HYDRAULIC CYLINDER.....	585
OIL TANK POWER VERSION.....	586
OIL TANK PROFI VERSION.....	587
OIL TANK CLAMPING PARTS.....	588
DRAFT PIN.....	589
SENSOR.....	590
EL.HD.REMOTE CONTROL.....	591
LIFT ARMS.....	592
SUPPORT.....	593
SUPPORT HYDRAULIC.....	595
UPPER LINK.....	597
LINK HOLDER.....	598
HYDR. UPPER LINK 90MM.....	599
LINK HOLDER HYDR. UPPER LINK.....	601
HYDR. UPPER LINK CLAMPING PARTS.....	602
LOWER LINKS.....	603
BALL RETAINER.....	604
LINKAGE.....	605
PTO GUARD.....	606
TOOLBAR.....	607
TRAILER HITCH.....	608
WAGON HITCH KIT.....	609
TRAILER HITCH.....	610
WAGON HITCH KIT.....	611
BALL TYPE CLEVIS.....	612
TRAILER HITCH ITALY.....	613
TRAILER HITCH "CUNA".....	614
MOUNT.....	615
BALL TYPE CLEVIS.....	616
BALL TYPE CLEVIS LONG.....	617
FORCED STEERING.....	618
PITON FIX.....	619
BOTTOM HITCH ASSY.....	620
DRAWBAR AND HITCH CAT 4.....	622
DRAWBAR AND HITCH CAT 3.....	624
PITON FIX DRAWBAR AND HITCH.....	625

BOTTOM HITCH ASSY.....	626
REMOTE CONTROL.....	629
FRONT/REAR LOADERS.....	630
FRONT/REAR LOADERS.....	630
15-0025 PIPING LIFT ARM.....	630
MOUNTING FRAME.....	632
HOOD PROTECTION.....	633
MOUNTING BRACKET.....	635
HOIST.....	637
JACK ASSEMBLY.....	639
PARALLELOGR.MOUNTING.....	640
REVERSING LEVER.....	642
DUMPING CYLINDER.....	643
DUMPING CYLINDER CARGO PROFESSIONAL.....	645
LIFT CYLINDER.....	646
FAST COUPL.FRAME MECHANICAL.....	649
FAST COUPL.FRAME HYDRAULIC.....	650
CYLINDER LATCHING.....	651
FAST COUPL.FRAME UNIVERSAL.....	652
CYLINDER LOCKING KIT.....	655
PIPING LIFT ARM.....	656
PIPING PARALLELOGRR.....	658
VALVE UNIT FAST COUPL.FRAME.....	660
VALVE BLOCK ASSEMBLY.....	661
VALVE BLOCK ASSEMBLY 3RD HYDR. CIRCUIT.....	662
VALVE BLOCK ASSEMBLY 3/4. HYDR. CIRCUIT.....	663
EQUIPMENT 3RD HYDR. CIRCUIT.....	664
EQUIPMENT 4TH HYDR. CIRCUIT.....	665
EQUIPMENT.....	666
MULTI-COUPLING EQUIPMENT.....	668
DAMPING.....	669
SOLENOID VALVE DAMPING.....	670
CONNECTING PIPE.....	671
MULTI-COUPLING.....	672
MULTI-COUPLING TUBE.....	673
ELECTRICAL KIT FRONTENDLOADER MOUNTED.....	674

ELECTRICAL KIT TRACTOR MOUNTED.....	675
ELECTRICAL EQUIPMENT CARGO PROFESSIONAL.....	676
ELECTRICAL KIT CARGO PROFESSIONAL.....	677
SILAGE BUCKET 1800.....	680
SILAGE BUCKET 2200.....	681
HYDRAULIC EQUIPMENT SILAGE GRAPPLE.....	682
HYDR. CYLINDER SILAGE GRAPPLE.....	683
BALE GRAB.....	684
HYDRAULIC EQUIPMENT BALE GRAB.....	685
HYDR. CYLINDER BALE GRAB.....	686
MANURE FORK.....	687
BALE FORK.....	688
UNIVERSAL SCOOP.....	689
HEAVY GOODS BUCKET.....	690
LIGHT GOODS BUCKET.....	692
PALLET FORK.....	693
PRECISION FARMING SYSTEMS.....	694
CABLE LOOM VARIOGUIDE.....	695
BASE STATION.....	696
DATA TRANSFER VARIO-DOC.....	697
DATA TRANSFER VARIO-GUIDE LIGHT.....	698
VARIOGUIDE TOPCON.....	699
VARIOGUIDE NOVATEL.....	701
VARIOGUIDE TRIMBLE.....	702
CABLE LOOM AGCO CONNECTIVITY MODULE (ACM).....	703
AGCO CONNECTIVITY MODULE (ACM).....	704
ACCESSORIES.....	705
WHEEL WEDGE MOUNTING.....	706
EMERGENCY PACK.....	707
FLANGE TAIL WHEEL.....	708
LOADING WEIGHT TAIL WHEEL.....	709
LOADING WEIGHT.....	711
CARRIER.....	714
HITCH LOADING WEIGHT.....	715

Fendt

FENDT 718 S4 (740/00101-06000) (WAM740XXX00F06001-99999)

F740000

TABLE OF CONTENT

Page00-TOC

Page Number	Page Title	Page Reference
01-000-TOC	ENGINE, FUEL AND EXHAUST SYSTEM	01-000-TOC
02-000-TOC	AXLES	02-000-TOC
03-000-TOC	STEERING SYSTEM	03-000-TOC
04-000-TOC	DRIVE TRAIN SYSTEM	04-000-TOC
05-000-TOC	COMPRESSED AIR SYSTEM	05-000-TOC
06-000-TOC	HYDRAULIC SYSTEM	06-000-TOC
07-000-TOC	ELECTRICAL SYSTEM	07-000-TOC
08-000-TOC	CAB	08-000-TOC
09-000-TOC	AIR CONDITIONING AND HEATING SYSTEM	09-000-TOC
10-000-TOC	CHASSIS	10-000-TOC
11-000-TOC	WHEELS	11-000-TOC
12-000-TOC	IMPLEMENT LIFT SYSTEM FRONT	12-000-TOC
13-000-TOC	IMPLEMENT LIFT SYSTEM REAR	13-000-TOC
14-000-TOC	LINKAGE	14-000-TOC
15-000-TOC	FRONT/REAR LOADERS	15-000-TOC
16-000-TOC	PRECISION FARMING SYSTEMS	16-000-TOC
17-000-TOC	ACCESSORIES	17-000-TOC

Fendt			F740000
FENDT 718 S4 (740/00101-06000) (WAM740XXX00F06001-99999)			Page01-000-TOC
Page Number	Page Title	Page Reference	
01-0001	CRANKCASE ENGINE --> 11615941	1711844	
01-0001	CRANKCASE ENGINE --> 11615941	1711844	
01-0002	CRANKCASE ENGINE <-- 11615942 --> 11851091	1711845	
01-0003	CRANKCASE ENGINE <-- 11851092 --> 11903823	1944004	
01-0004	CRANKCASE ENGINE <-- 11903824 --> 11922234	1970086	
01-0005	CRANKCASE ENGINE <-- 11922235 --> 12299950	2189022	
01-0006	CRANKCASE FROM ENGINE S/N 12299951	2595706	
01-0007	CRANKCASE BLANKING PARTS	1711846	
01-0008	CRANKCASE PISTON COOL.NOZZLE	1711847	
01-0009	CRANKCASE LOCKING PLUG	1711848	
01-0010	CRANKCASE BLANKING PARTS	1711849	
01-0011	CRANKCASE BLANKING PARTS FROM ENGINE S/N 12163344	2595955	
01-0012	SET OF GASKETS - MOTOR	1711850	
01-0013	ENGINE MOUNTINGS	1711851	
01-0014	ENGINE BEARINGS	1711852	
01-0015	TRANSMITTER ENGINE SPEED EDC	1711853	
01-0016	TRANSMITTER ENGINE SPEED FASTENINGS	1711854	
01-0017	CRANKCASE BREATHER	1711855	
01-0018	CRANKCASE BREATHER BREATHER TUBE	1711856	
01-0019	FRONT COVER INTEGRATED OIL PUMP	1711857	
01-0020	FRONT COVER FASTENINGS	1711858	
01-0021	TRANSMITTER ENGINE SPEED EDC	1711859	
01-0022	TRANSMITTER ENGINE SPEED EDC FASTENINGS	1711860	
01-0023	GEARCASE	1711861	
01-0024	GEARCASE FROM ENGINE S/N 12331677	2595998	
01-0025	GEARCASE LOCKING PLUG	2188626	
01-0026	ADAPTER HOUSING	1711862	
01-0027	ADAPTER HOUSING FASTENINGS	1711863	
01-0028	FEMALE FLANGE HOUSING/GEAR CASE ENGINE --> 11733420	1711864	

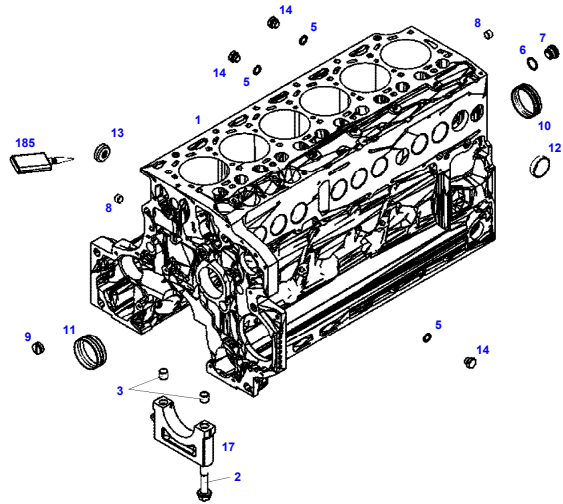
Fendt			F740000
FENDT 718 S4 (740/00101-06000) (WAM740XXX00F06001-99999)			Page01-000-TOC
Page Number	Page Title	Page Reference	
01-0029	FEMALE FLANGE HOUSING/GEAR CASE ENGINE <-- 11733421	1947318	
01-0030	ENGINE MOUNTING	1711865	
01-0031	CYLINDER HEAD TEMP. TRANSMITTER EDC	1711866	
01-0032	VALVE COVER ENGINE NUMBER --> 12045308	1711867	
01-0033	VALVE COVER ENGINE NUMBER <-- 12045309	2307116	
01-0034	ROCKER ARM	1711868	
01-0035	CYLINDER HEAD ENGINE --> 11857928	1711869	
01-0036	CYLINDER HEAD ENGINE <-- 11857929	1947629	
01-0037	HEAD GASKET	1711870	
01-0038	VALVE DRIVE	1711871	
01-0039	CAMSHAFT	1711872	
01-0040	PISTON UP TO ENGINE S/N 11939173	1711873	
01-0041	PISTON FROM ENGINE S/N 11939174	2189009	
01-0042	CONNECTING ROD	1711874	
01-0043	CRANKSHAFT	1711875	
01-0044	MAIN BEARING	1711876	
01-0045	CRANKSHAFT V-BELT PULLEY	1711877	
01-0046	FLYWHEEL	1711878	
01-0047	FLYWHEEL FASTENINGS	1711879	
01-0048	FLYWHEEL LOCKING PLUG	1711880	
01-0049	FLYWHEEL COVER	1711881	
01-0050	OIL PAN	1711882	
01-0051	OIL FILLER FILLER CAP	1711883	
01-0052	OIL DIPSTICK OIL COOLER BOX	1711884	
01-0053	OIL PRESS. TRANSMITT OIL FILTER	1711885	
01-0054	OIL FILTER	1711886	
01-0055	OIL COOLER	1711887	
01-0056	OIL COOLER BOX BLANKING PARTS	1711888	
01-0057	OIL COOLER BOX GASKET FASTENINGS	1711889	
01-0058	COOL.WATER PIPING OIL COOLER BOX	1711890	
01-0059	EXHAUST BEND	1711891	
01-0060	EXHAUST BEND - CONTROL PIPE ENGINE --> 11914455	1711892	
01-0061	EXHAUST BEND - CONTROL PIPE ENGINE <-- 11914456	1970114	
01-0062	TURBO-SUPERCHARGER	1711893	
01-0063	TURBO-SUPERCHARGER LUBE OIL LINE OIL RETURN TUBE	1711894	
01-0064	HEATING-FLANGE	1711895	
01-0065	RELAY - HEATING-FLANGE	1711896	
01-0066	ELECTRIC WIRING HEATING-FLANGE	1711897	

Fendt			F740000
FENDT 718 S4 (740/00101-06000) (WAM740XXX00F06001-99999)			F740000
ENGINE, FUEL AND EXHAUST SYSTEM			Page01-000-TOC
Page Number	Page Title	Page Reference	
01-0067	ELECTRIC WIRING	1711898	
	RELAY ALTERNATOR		
01-0068	ELECTRIC WIRING - SHIELD CAP	1711899	
01-0069	ELECTRIC WIRING	2596380	
	FASTENINGS		
01-0070	CONSOLE - FUEL FILTER	1711900	
01-0071	FUEL FILTER	1711901	
01-0072	FUEL LINES	1711902	
	RETURN FLOW		
	FCU		
01-0073	FUEL LINES	1711903	
	PRESSURE TRANSDUCER		
	FUEL		
01-0074	FUEL PUMP	1711904	
01-0075	FUEL PUMP	1711905	
	FASTENINGS		
01-0076	HIGH-PRESSURE PUMP	1711906	
01-0077	HIGH-PRESSURE PUMP	1711907	
	FASTENINGS		
01-0078	HIGH-PRESSURE PUMP	1711908	
	ROLLER TAPPET		
01-0079	INJECTOR	1711909	
	ENGINE		
	--> 11884809		
01-0080	INJECTOR	1947648	
	ENGINE		
	<-- 11884810		
01-0081	HIGH-PRESSURE ACCUM.	1711910	
	COMMON RAIL		
	PRESSURE RELIEF VALVE		
01-0082	METERING UNIT	1711911	
	ENGINE NUMBER		
	--> 11574527		
01-0083	METERING UNIT	1711912	
01-0084	METERING UNIT	1711913	
	FASTENINGS		
01-0085	FUEL PRESSURE LINES	1711914	
	HIGH PRESSURE PUMP/FUEL CONTROL UNIT		
	ENGINE NUMBER		
	--> 11574527		
01-0086	FUEL PRESSURE LINES	1711915	
	HIGH PRESSURE PUMP/FUEL CONTROL UNIT		
	ENGINE		
	<-- 11574528		
01-0087	CHARGED AIR	1711916	
	SENSOR		
	BUST PRESSUR		
	INTERCOOLER TEMPERATURE		
01-0088	CHARGE AIR ELBOW	1711917	
01-0089	CHARGE AIR ELBOW	1711918	
	PRESSURE TRANSDUCER		
	BACK PRESSURE		
01-0090	EGR-MODULE	1947792	
	UP TO ENGINE S/N		
	12252357		
01-0091	EGR-MODULE	2596402	
	FROM ENGINE S/N		
	12252358		
01-0092	EGR-MODULE - SUPPORT BRACKET	1711920	
	ENGINE		
	--> 11746923		
01-0093	EGR-MODULE - SUPPORT BRACKET	1947265	
	ENGINE		
	<-- 11746924		
01-0094	EGR-MODULE - COOL.WATER PIPING	1711921	
01-0095	WATER PUMP	1711922	
01-0096	WATER PUMP - V-BELT PULLEY	1711923	
01-0097	WATER PUMP - FIXING PARTS	1711924	
01-0098	WATER PUMP - CONNECTING SOCKET	1711925	
01-0099	THERMOSTAT HOUSING	1711926	
	ENGINE NUMBER		
	--> 11574527		

Fendt			F740000
FENDT 718 S4 (740/00101-06000) (WAM740XXX00F06001-99999)			F740000
ENGINE, FUEL AND EXHAUST SYSTEM			Page01-000-TOC
Page Number	Page Title	Page Reference	
01-0100	THERMOSTAT HOUSING	1711927	
	ENGINE NUMBER		
	<-- 11574528		
01-0101	THERMOSTAT HOUSING	1711928	
	HOSE CONNECTION		
	BLANKING PARTS		
01-0102	V-BELT	1711929	
01-0103	TENSION ROLLER	1711930	
01-0104	FAN SUPPORT	1711931	
	ENGINE		
	--> 11851091		
01-0105	FAN SUPPORT	1947666	
	ENGINE		
	<-- 11851092 --> 12195346		
01-0106	FAN SUPPORT	2596429	
	FROM ENGINE S/N		
	12195347		
01-0107	FUEL LINES	1711932	
	FROM - UP TO MACHINE S/N		
	740/0101 - 740/3456		
01-0108	FUEL LINES	2200610	
	FROM MACHINE S/N		
	740/3457		
01-0109	PREFILTER	1711933	
01-0110	FUEL TANK	1711934	
01-0111	FUEL TANK SUPPORT	1711935	
01-0112	WATER COOLED RADIATOR	1712865	
01-0113	FAN HOOD	1712800	
01-0114	COOL. WATER PIPING - WATER COOLED RADIATOR	1712749	
01-0115	COOL. WATER PIPING - EXPANSION TANK	1712632	
01-0116	COOL. WATER PIPING - HEATING CONNECTION	1712655	
	TANK ADBLUE		
01-0117	AIR FILTER	1713292	
01-0118	AIR FILTER - CLEAN AIR TUBE	1714079	
01-0119	BULKHEAD	1714091	
01-0120	STARTER INSTALLATION - FENDER	1891244	
01-0121	CHARGE AIR COOLER	1714531	
	FROM - UP TO MACHINE S/N		
	740/0101 - 740/3066		
01-0122	CHARGE AIR COOLER	1970336	
	FROM MACHINE S/N		
	740/3067		
01-0123	SILENCER	1714786	
01-0124	CONSOLE - SILENCER	1714805	
	FROM - UP TO MACHINE S/N		
	740/0101 - 740/3190		
01-0125	CONSOLE - SILENCER	1970420	
	FROM MACHINE S/N		
	740/3191		
01-0126	EXHAUST BRAKE	1714926	
01-0127	EXHAUST AFTER-TREATMENT	1716668	
	CATHAL. CONVERTER		
01-0128	EXHAUST AFTER-TREATMENT - PARTICLE FILTER	1711936	
	UP TO ENGINE S/N		
	12089640		
01-0129	EXHAUST AFTER-TREATMENT - PARTICLE FILTER	2596486	
	FROM ENGINE S/N		
	12089641		
01-0130	EXHAUST AFTER-TREATMENT - PARTICLE FILTER	1716734	
	SENDER		
	CLAMPING PARTS		
	UP TO MACHINE S/N		
	WAM740XXX00F10512		
01-0131	EXHAUST AFTER-TREATMENT - PARTICLE FILTER	2700397	
	SENDER		
	CLAMPING PARTS		
	FROM MACHINE S/N		
	WAM740XXX00F10513		
01-0132	EXHAUST AFTER-TREATMENT - TANK ADBLUE	1716654	
01-0133	EXHAUST AFTER-TREATMENT - SUPPLY UNIT	1716639	
01-0134	EXHAUST AFTER-TREATMENT - PIPING	1716623	
01-0135	SPEED CONTROL	1711937	

Fendt**FENDT 718 S4 (740/00101-06000) (WAM740XXX00F06001-99999)****F740000****ENGINE, FUEL AND EXHAUST SYSTEM****Page01-000-TOC**

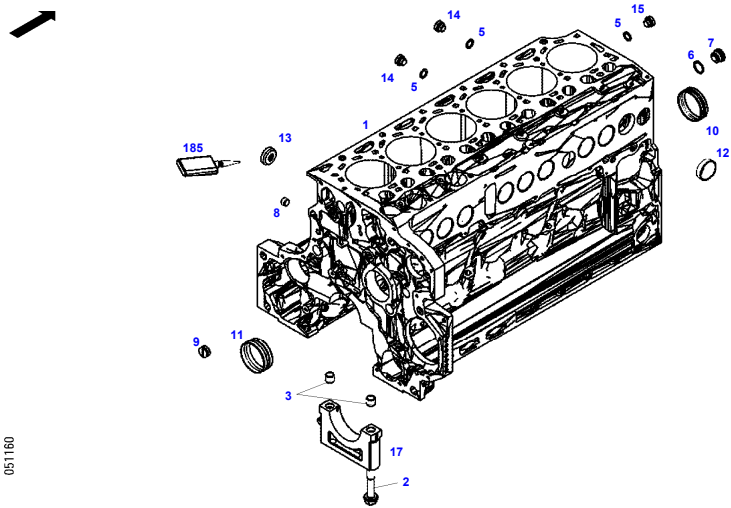
Page Number	Page Title	Page Reference
01-0136	VISCO FAN <-- 740/0101 --> 740/2566	1714938
01-0137	VISCO FAN <-- 740/2567	1940473
01-0138	ENGINE PRE-HEATER	1711843



051159

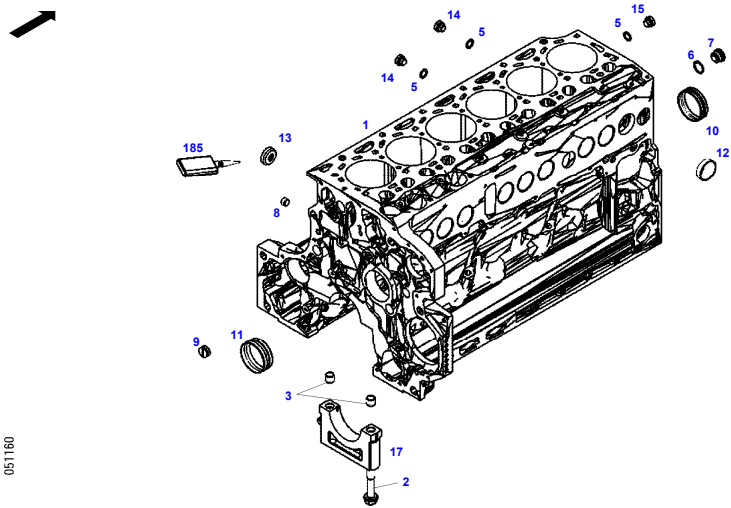
Item	Part Number	Qty	Description Comments	Technical Specification
			ENGINE -> 11615941	
1	72613865	1	ENGINE	TCD6.1L6
	72615412	1	CRANKCASE SERIES EXECUTION NO LONGER AVAILABLE ><2,3,5-14,17	
	72616334	1	CRANKCASE SUPERSESSION	
2	72416467	14	HEXAGONAL HEAD BOLT	
3	72344342	14	ADAPTER BUSH	
5	72456134	3	SEALING WASHER	DIN 7603 D14X20-CU-VERZINNT
6	72439874	1	SEALING WASHER	
7	72455559	1	PLUG SCREW	
8	72429347	2	SCREW	M14X1,5
9	72431135	1	LOCKING PLUG	
10	72497417	6	BEARING BUSHING	
11	72491822	1	BEARING BUSHING	
12	72325325	9	CORE HOLE PLUG	
13	72325326	6	CORE HOLE PLUG	
14	72315799	3	PLUG	DIN 7604 AM14X1,5-A3L
17			NOT AVAILABLE IN SINGLE PARTS	
185	72381391	1	THREADLOCKER	LOCTITE 243 10ML

Item	Part Number	Qty	Description Comments	Technical Specification
ENGINE				
← 11615942 → 11851091				
	72613865	1	ENGINE	TCD6.1L6
1	72615413	1	CRANKCASE ><2,3,5-15,17 SERIES EXECUTION NO LONGER AVAILABLE	
	72616334	1	CRANKCASE SUPERSESSION	
2	72416467	14	HEXAGONAL HEAD BOLT	
3	72344342	14	ADAPTER BUSH	
5	72456134	4	SEALING WASHER	DIN 7603 D14X20-CU-VERZINNT
6	72439874	1	SEALING WASHER	
7	72455559	1	PLUG SCREW	
8	72429347	1	SCREW	M14X1,5
9	72431135	1	LOCKING PLUG	
10	72615416	6	BEARING BUSHING	
11	72491822	1	BEARING BUSHING	
12	72325325	9	CORE HOLE PLUG	
13	72325326	6	CORE HOLE PLUG	
14	72315799	3	PLUG	DIN 7604 AM14X1,5-A3L
15	72315438	1	PLUG SCREW	DIN 908 M14X1,5-ST
17			NOT AVAILABLE IN SINGLE PARTS	
185	72381391	1	THREADLOCKER	LOCTITE 243 10ML



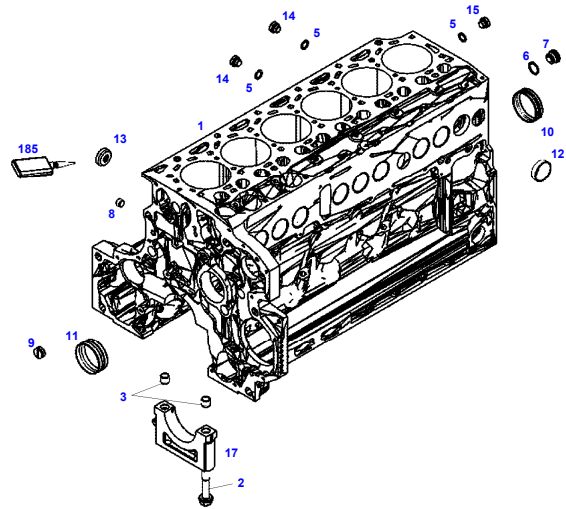
051160

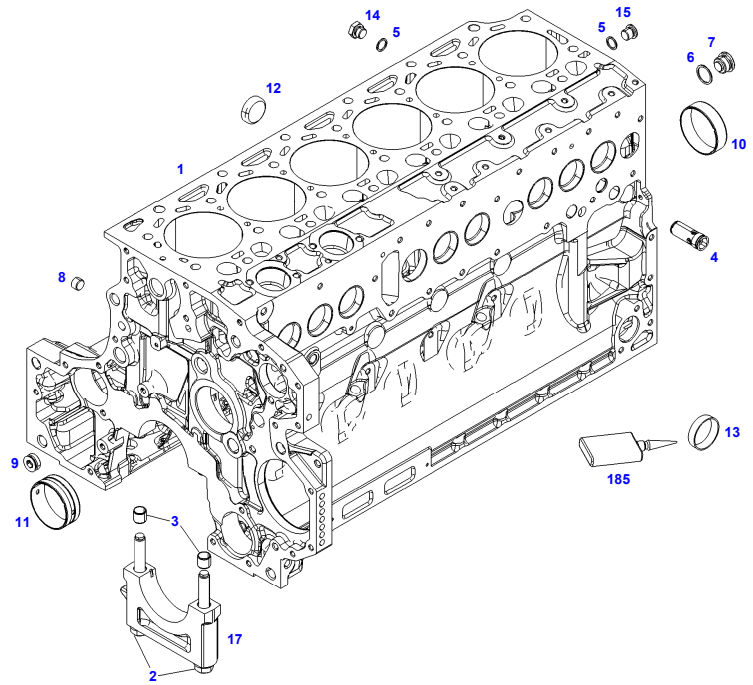
Item	Part Number	Qty	Description Comments	Technical Specification
ENGINE				
<- 11851092 -> 11903823				
	72621685	1	ENGINE	TCD6.1L6
1	72616334	1	CRANKCASE SUPERSESSION	
2	72416467	14	HEXAGONAL HEAD BOLT	
3	72344342	14	ADAPTER BUSH	
5	72456134	4	SEALING WASHER	DIN 7603 D14X20-CU-VERZINNT
6	72439874	1	SEALING WASHER	
7	72455559	1	PLUG SCREW	
8	72429347	1	SCREW	M14X1,5
9	72431135	1	LOCKING PLUG	
10	ACP0152940	6	FEMALE BEARING	
11	ACP0152930	1	FEMALE BEARING	
12	72325325	9	CORE HOLE PLUG	
13	72325326	6	CORE HOLE PLUG	
14	72315799	3	PLUG	DIN 7604 AM14X1,5-A3L
15	72315438	1	PLUG SCREW	DIN 908 M14X1,5-ST
17			NOT AVAILABLE IN SINGLE PARTS	
185	72381391	1	THREADLOCKER	LOCTITE 243 10ML



051160

Item	Part Number	Qty	Description Comments	Technical Specification
ENGINE				
←- 11903824 -> 11922234				
	72624069	1	ENGINE	TCD6.1L6
1	72625677	1	CRANKCASE	
2	72416467	14	HEXAGONAL HEAD BOLT	
3	72344342	14	ADAPTER BUSH	
5	72439867	4	SEALING WASHER	DIN7603-14X18-CU-VERZ
6	72439874	1	SEALING WASHER	
7	72455559	1	PLUG SCREW	
8	72429347	1	SCREW	M14X1,5
9	72431135	1	LOCKING PLUG	
10	ACP0152940	6	FEMALE BEARING	
11	ACP0152930	1	FEMALE BEARING	
12	72325325	9	CORE HOLE PLUG	
13	72325326	6	CORE HOLE PLUG	
14	72315799	3	PLUG	DIN 7604 AM14X1,5-A3L
15	72315438	1	PLUG SCREW	DIN 908 M14X1,5-ST
17			NOT AVAILABLE IN SINGLE PARTS	
185	72381391	1	THREADLOCKER	LOCTITE 243 10ML

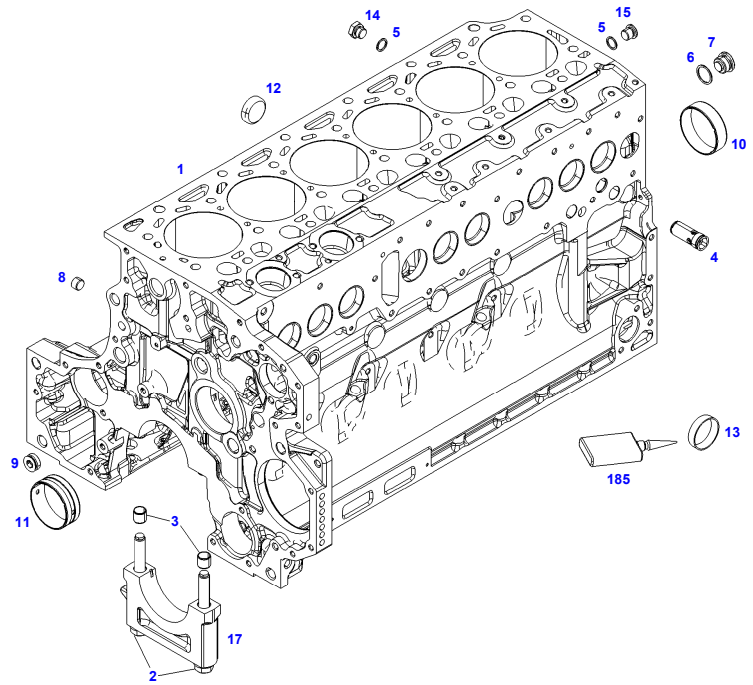




Item	Part Number	Qty	Description Comments	Technical Specification
ENGINE				
←- 11922235 →- 12299950				
	72624069	1	ENGINE UP TO MACHINE S/N WAM740XXX00F09000	TCD6.1L6
1	72625677	1	CRANKCASE	
2	72416467	14	HEXAGONAL HEAD BOLT	
3	72344342	14	ADAPTER BUSH	
4	72628299	1	DISCHARGE VALVE	
5	72439867	3	SEALING WASHER	DIN7603-14X18-CU-VERZ
6	72439874	1	SEALING WASHER	
7	72455559	1	PLUG SCREW	
8	72429347	1	SCREW	M14X1,5
9	72431135	1	LOCKING PLUG	
10	ACP0152940	6	FEMALE BEARING	
11	ACP0152930	1	FEMALE BEARING	
12	72325325	9	CORE HOLE PLUG	
13	72325326	6	CORE HOLE PLUG	
14	72315799	3	PLUG	DIN 7604 AM14X1,5-A3L
15	72315438	1	PLUG SCREW	DIN 908 M14X1,5-ST
17			NOT AVAILABLE IN SINGLE PARTS	
185	72416485	1	SAFE.LOCK AGENT	

F061603



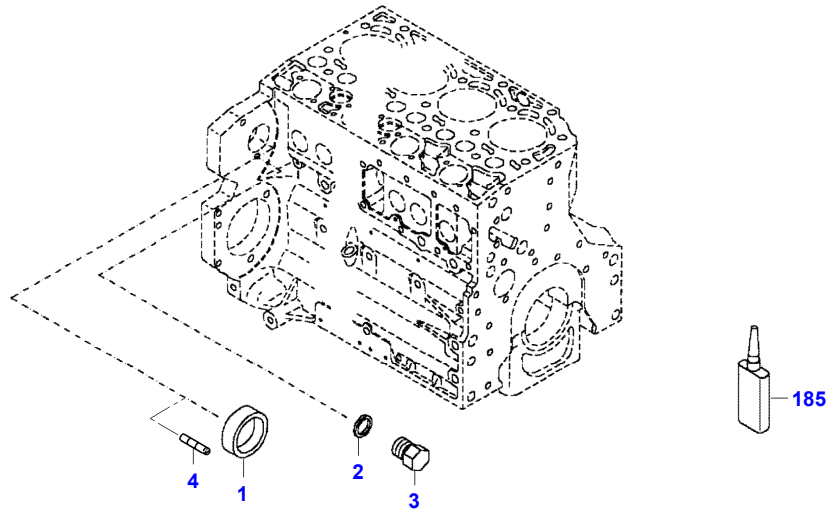


Item	Part Number	Qty	Description Comments	Technical Specification
			FROM ENGINE S/N 12299951	
	72649934	1	ENGINE FROM MACHINE S/N WAM740XXX00F09001	TCD6.1L6
1	72625677	1	CRANKCASE	
2	72416467	14	HEXAGONAL HEAD BOLT	
3	72344342	14	ADAPTER BUSH	
4	72628299	1	DISCHARGE VALVE	
5	72439867	3	SEALING WASHER	DIN7603-14X18-CU-VERZ
6	72439874	1	SEALING WASHER	
7	72455559	1	PLUG SCREW	
8	72429347	1	SCREW	M14X1,5
9	72431135	1	LOCKING PLUG	
10	ACP0152940	6	FEMALE BEARING	
11	ACP0152930	1	FEMALE BEARING	
12	72325325	9	CORE HOLE PLUG	
13	72325326	6	CORE HOLE PLUG	
14	72315799	3	PLUG	DIN 7604 AM14X1,5-A3L
15	72315438	1	PLUG SCREW	DIN 908 M14X1,5-ST
17			NOT AVAILABLE IN SINGLE PARTS	
185	72416485	1	SAFE.LOCK AGENT	

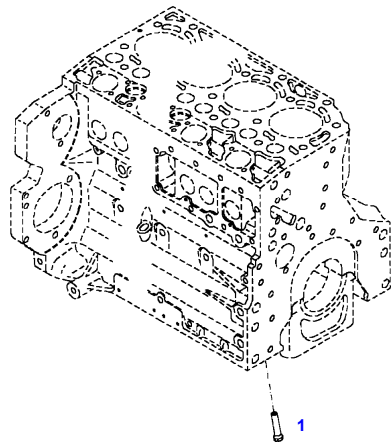
F061603



Item	Part Number	Qty	Description Comments	Technical Specification
BLANKING PARTS				
1	72627515	1	CORE HOLE PLUG UP TO ENGINE NUMBER 11981720	
	72628071	1	CAP COVER FROM ENGINE S/N 11981721	
2	72315088	2	SEALING WASHER	DIN 7603 A10X13,5-CU
3	72415952	2	SCREW	
	72657969	2	PLUG SCREW STARTING FROM ENGINE SERIAL NUMBER 12473741	
4	72631860	2	THREADED PIN UP TO ENGINE S/N 12473740	
185	72325403	1	SAFE LOCK AGENT UP TO ENGINE NUMBER 11981720	
	72493900	1	INSTALLATION AIDS FROM ENGINE S/N 11981721	

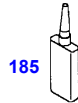
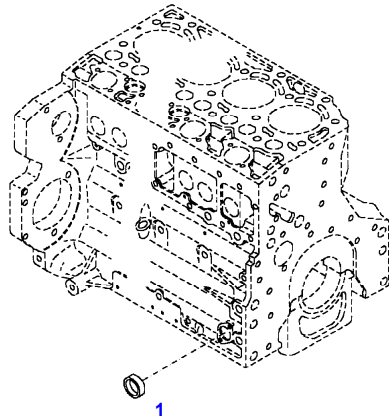


432327-M-1



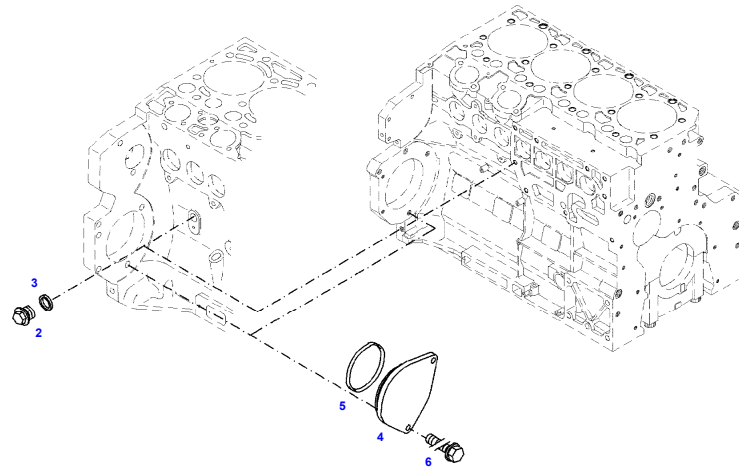
740000

Item	Part Number	Qty	Description	Comments
			PISTON COOL.NOZZLE	
1	72415140	6	PISTON COOLING JET	

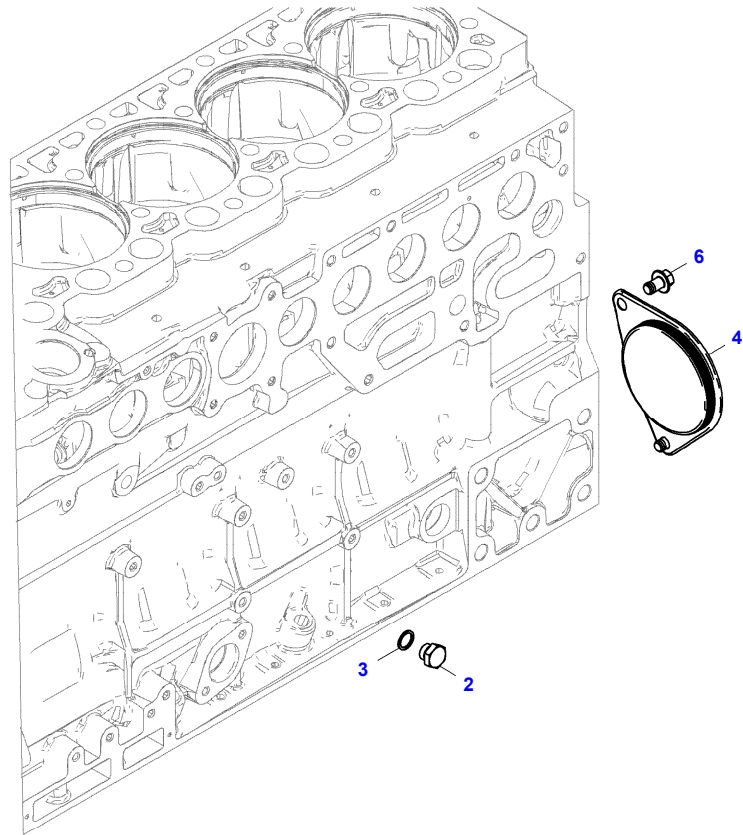


Item	Part Number	Qty	Description Comments
LOCKING PLUG			
1	72325326	1	CORE HOLE PLUG UP TO ENGINE NUMBER 11981720
	72628072	1	CAP COVER FROM ENGINE S/N 11981721
185	72325403	1	SAFE LOCK AGENT UP TO ENGINE NUMBER 11981720
	72493900	1	INSTALLATION AIDS FROM ENGINE S/N 11981721

Item	Part Number	Qty	Description Comments	Technical Specification
BLANKING PARTS				
2	72315799	1	PLUG NOT NEEDED WITH AIR BRAKE	DIN 7604 AM14X1,5-A3L
3	72439867	1	SEALING WASHER NOT NEEDED WITH AIR BRAKE	DIN7603-14X18-CU-VERZ
4	72431648	1	COVER NOT NEEDED WITH AIR BRAKE	
5	72416472	1	SEAL 96X4MM NOT NEEDED WITH AIR BRAKE	
6	72438057	1	HEXAGONAL HEAD BOLT NOT NEEDED WITH AIR BRAKE UP TO 2017-08	M10X20
	72657640	1	HEXAGONAL HEAD BOLT NOT NEEDED WITH AIR BRAKE FROM 2017-09	M10X16



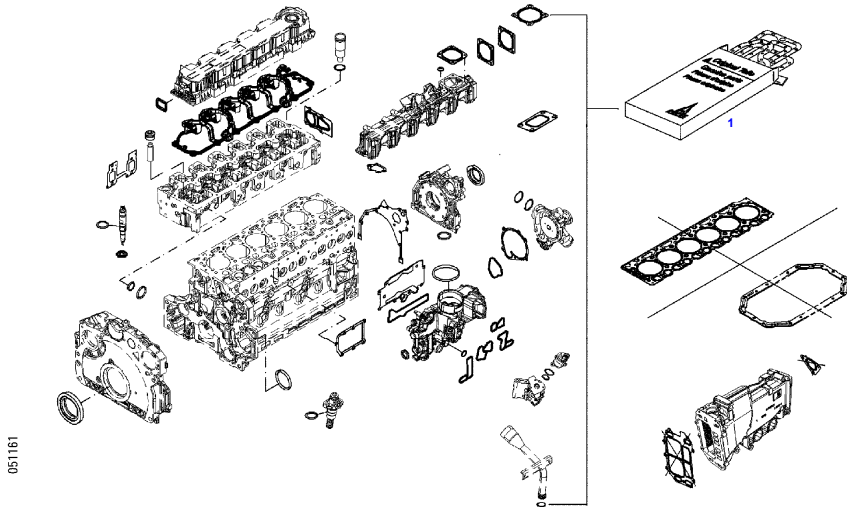
050702



25548786-M-1

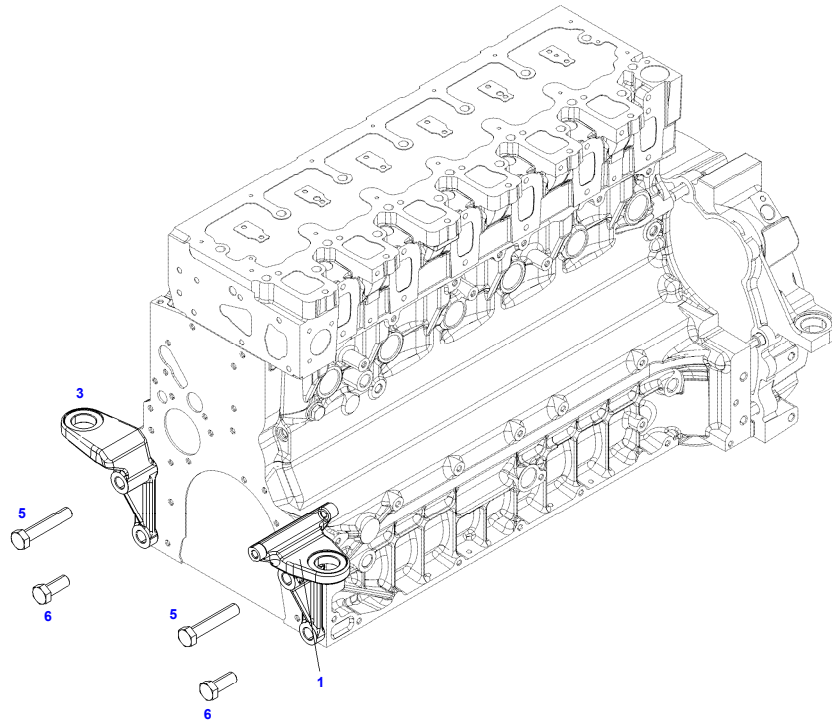
Item	Part Number	Qty	Description Comments	Technical Specification
BLANKING PARTS FROM ENGINE S/N 12163344				
2	72631866	1	PLUG SCREW NOT NEEDED WITH AIR BRAKE	
3	72439867	1	SEALING WASHER NOT NEEDED WITH AIR BRAKE	DIN7603-14X18-CU-VERZ
4	72657732	1	COVER NOT NEEDED WITH AIR BRAKE	
6	72657640	2	HEXAGONAL HEAD BOLT	M10X16

Item	Part Number	Qty	Description
1	72615421	1	SEAL KIT WITHOUT CYLINDER HEAD GASKET



051161

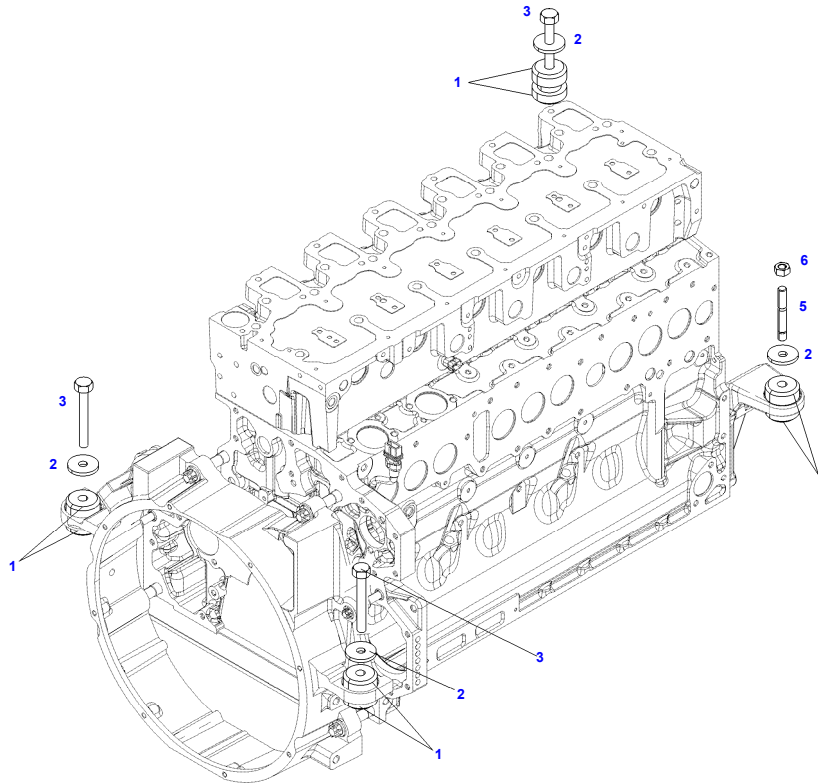
Item	Part Number	Qty	Description Comments	Technical Specification
1	72600590	1	ENGINE SUSPENSION	
3	72613694	1	ENGINE SUSPENSION	
5	72374294	2	HEXAGONAL HEAD BOLT	DIN 931-M16X85 GWA-10.9
6	72418408	2	HEXAGONAL HEAD BOLT	DIN 933 M16X40 GWA-10.9



051220

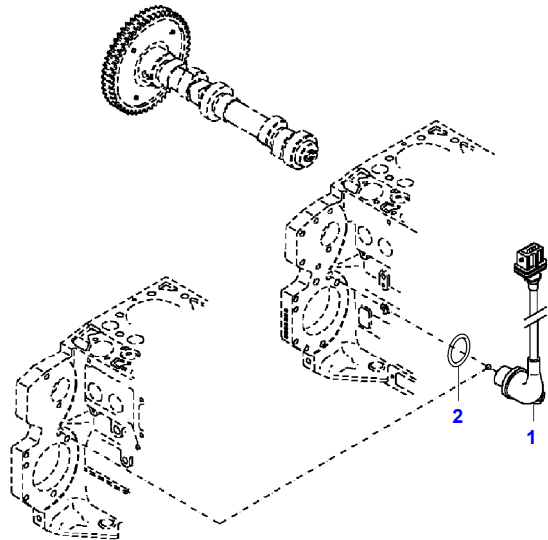


Item	Part Number	Qty	Description Comments	Technical Specification
1	72423991	4	ENGINE MOUNT	
2	72318110	4	DISC	
3	72315563	3	HEXAGONAL HEAD BOLT	DIN 931 M12X80-8.8A3L
5	72614203	1	SCREW	DIN 939 M12X70-8.8 A3L
6	72313276	1	NUT	DIN 934 M12-8A3L



051219



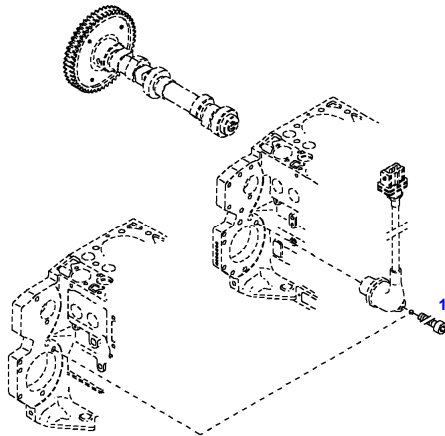


431755-M-1

Item	Part Number	Qty	Description	Comments
			ENGINE SPEED	
			EDC	
1	72626758	1	ENGINE SPEED SENSOR	
2	72628348	1	O-RING	

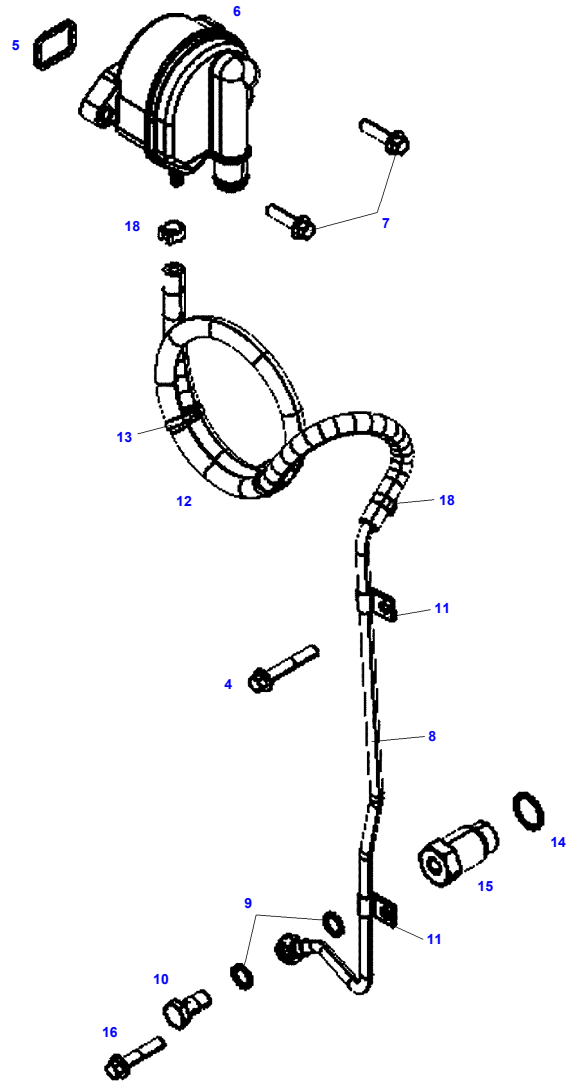


Item	Part Number	Qty	Description Comments	Technical Specification
			ENGINE SPEED FASTENINGS	
1	72315460	1	SOCKET HEAD BOLT	DIN 912 M6X16-8.8



035317

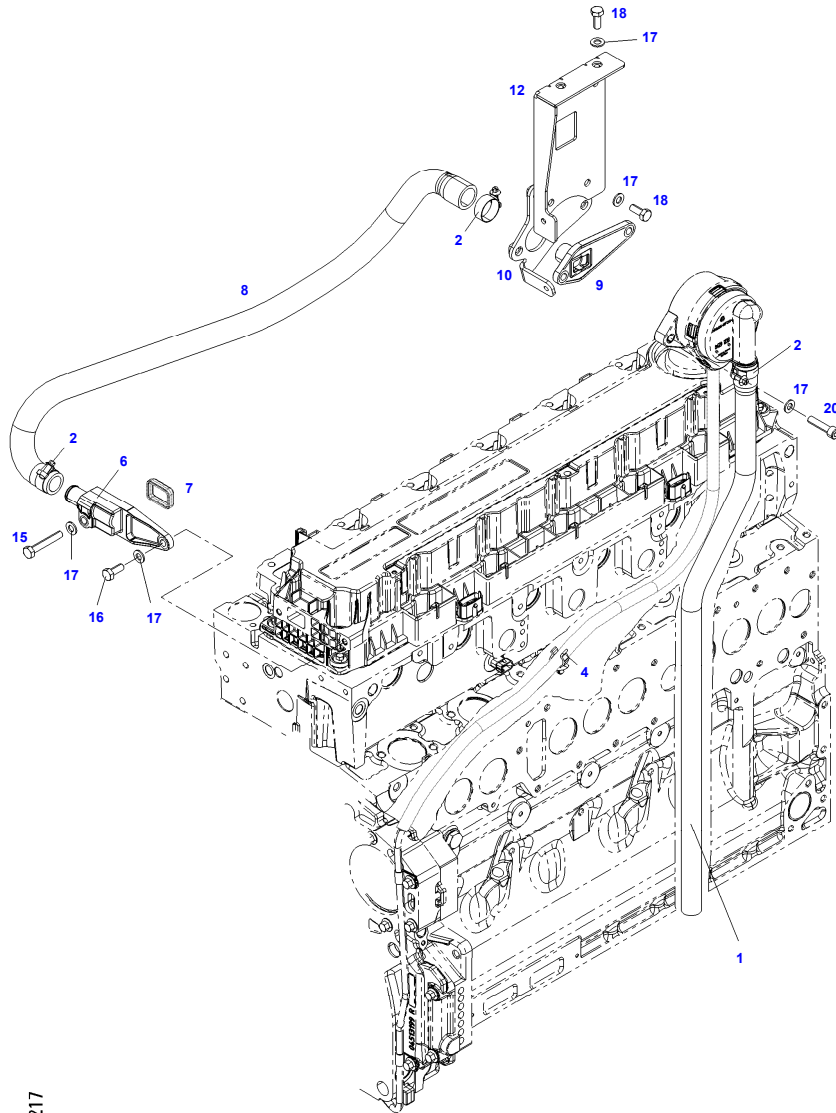
Item	Part Number	Qty	Description	Technical Specification
4	72325453	1	HEXAGONAL HEAD BOLT	
5	72455795	1	SEAL	
6	72437250	1	BREATHER	
7	72325293	2	HEXAGONAL HEAD BOLT	M8X30
8	72615422	1	OIL RETURN LINE	><9-13
9	72439873	2	SEALING WASHER	
10	72323517	1	BANJO BOLT	
11	72425772	2	PIPE CLAMP	
12	72479423	1	RUBBER HOSE	
13	72416001	2	RETAINING STRAP	
14	72439874	1	SEALING WASHER	
15	72425770	1	LOCK VALVE	
16	72325457	1	HEXAGONAL HEAD BOLT	M8X40
18	72479013	2	HOSE CLIP	



F060828

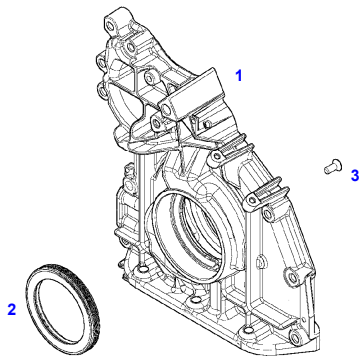


Item	Part Number	Qty	Description Comments	Technical Specification
BREATHER TUBE				
1	72648984	1	HOSE	
2	72311167	3	HOSE CLIP	
4	72488959	1	CLIP	SCHLAUCH POM
6	72455520	1	ADAPTER	
7	72455795	1	SEAL	
8	72648983	1	HOSE	
9	72437633	1	CONNECTING FLANGE	
10	72613957	1	BRACKET	
12	72613956	1	BRACKET	
15	72315665	1	HEXAGONAL HEAD BOLT	DIN 933 M8X45-8.8A3L
16	72315650	1	HEXAGONAL HEAD BOLT	DIN 933 M8 X 20-8.8A3L
17	72315053	8	SPLIT WASHER	FWN 65208-8-A3L
18	72315642	4	HEXAGONAL HEAD BOLT	DIN 933 M8 X 16-8.8A3L
20	72315478	2	SOCKET HEAD BOLT	DIN 912 M8X35-8.8



051217

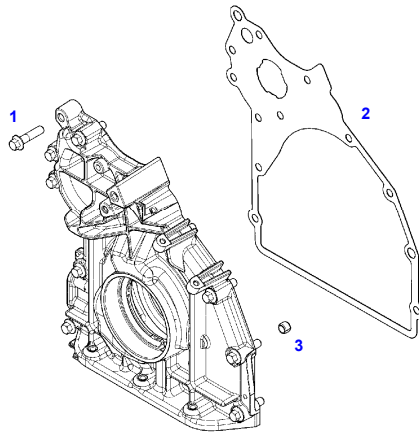




041199

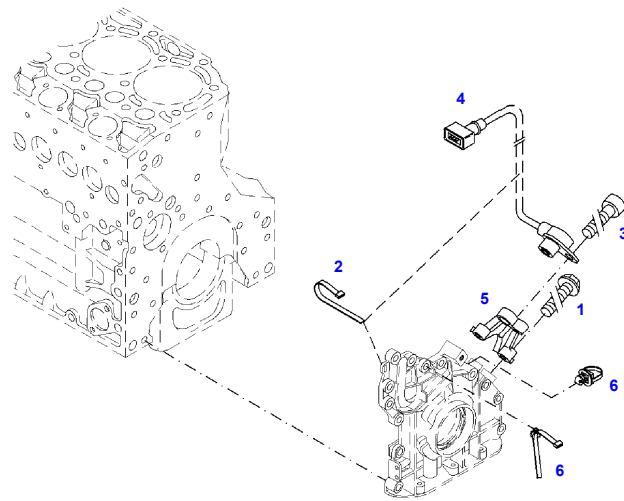
Item	Part Number	Qty	Description Comments
INTEGRATED OIL PUMP			
1	72648947	1	CRANKCASE END COVER INTEGRATED OIL PUMP ><2,3
2	72479487	1	SHAFT SEAL
3	72416228	8	COUNTERSUNK CAPSCREW M6X16

Item	Part Number	Qty	Description Comments	Technical Specification
FASTENINGS				
1	72605244	12	HEXAGONAL HEAD BOLT M8X35	M8X35
2	72486511	1	SEAL	
3	72325352	1	TENSIONER BUSHING	



01243

Item	Part Number	Qty	Description Comments	Technical Specification
ENGINE SPEED EDC				
1	72436834	2	HEXAGONAL HEAD BOLT M6X30	
2	72416001	3	RETAINING STRAP	
3	72315460	1	SOCKET HEAD BOLT	DIN 912 M6X16-8.8
4	72436872	1	ENGINE SPEED SENSOR ENGINE SPEED EDC	
5	72494073	1	RETAINER	
6	72455561	2	RETAINING STRAP	



041001

This as a preview PDF file from best-manuals.com



Download full PDF manual at best-manuals.com