

4

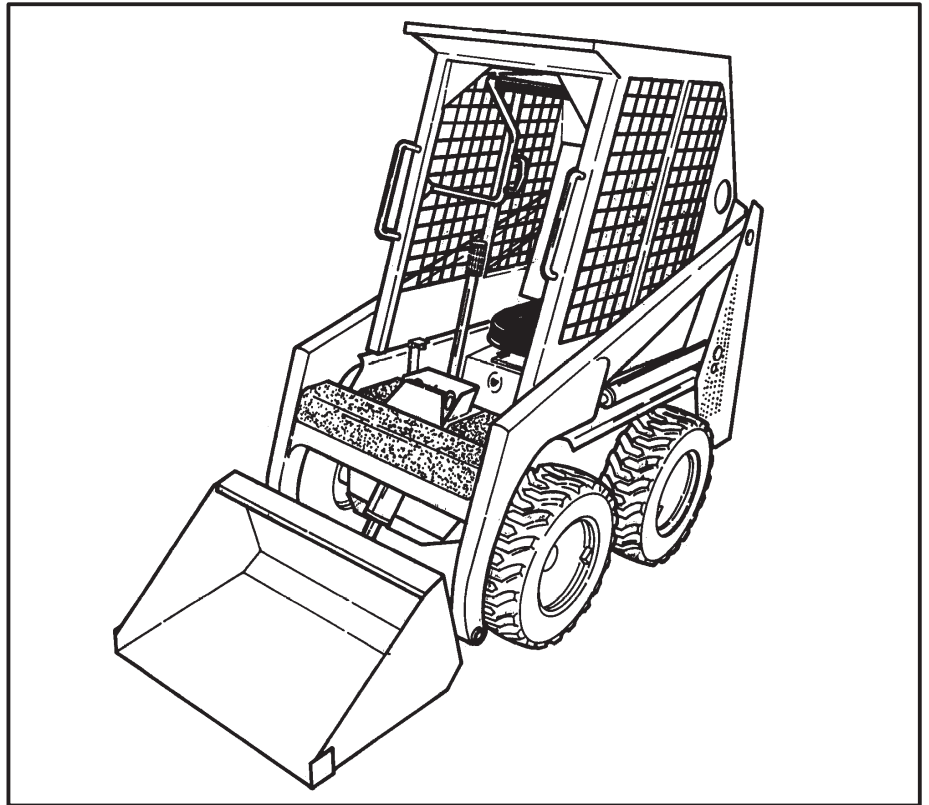
4

3

B



Operation & Maintenance Manual



Doosan purchased Bobcat Company from Ingersoll-Rand Company in 2007. Any reference to Ingersoll-Rand Company or use of trademarks, service marks, logos, or other proprietary identifying marks belonging to Ingersoll-Rand Company in this manual is historical or nominative in nature, and is not meant to suggest a current affiliation between Ingersoll-Rand Company and Bobcat Company or the products of either.

MELROE
INGERSOLL-RAND

6722481 (3-99) Revised (5-12)

Printed in U.S.A.



© Melroe Company 1999

OPERATOR SAFETY WARNINGS

! WARNING

Operator must have instructions before running the machine. Untrained operators can cause injury or death.

W-2001-1285

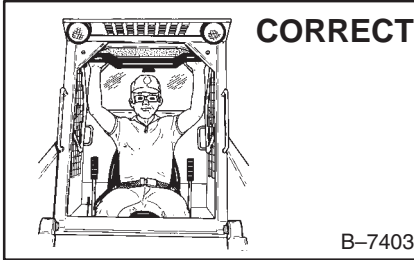
! **Safety Alert Symbol:** This symbol with a warning statement, means: "Warning, be alert! Your safety is involved!" Carefully read the message that follows.

CORRECT



B-10731

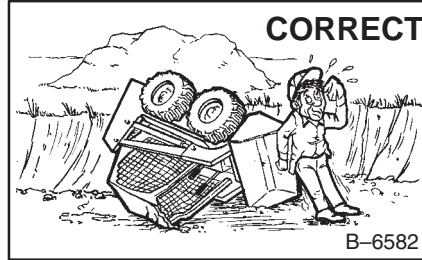
! Never use the loader without instructions. See machine signs (decals), Operations & Maintenance Manual and Handbook.



CORRECT

B-7403

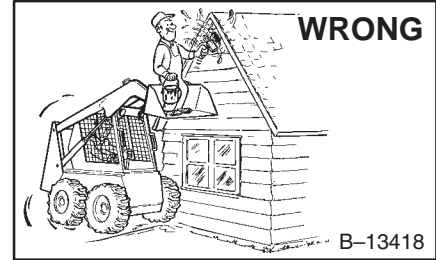
! Always use the seat bar and fasten seat belt snugly.
! Always keep feet on the pedals when operating loader.



CORRECT

B-6582

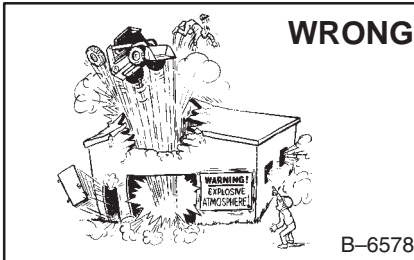
! Never use loader without operator cab with ROPS and FOPS approval. Fasten your seat belt.



WRONG

B-13418

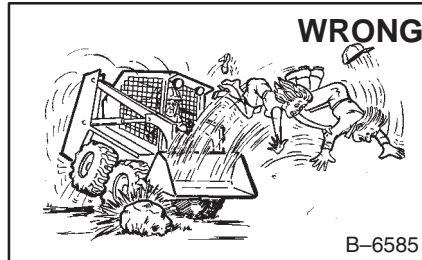
! Never use loader as man lift or elevating device for personnel.



WRONG

B-6578

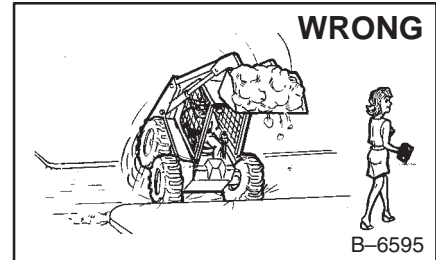
! Do not use loader in atmosphere with explosive dust or gas or where exhaust can contact flammable material.



WRONG

B-6585

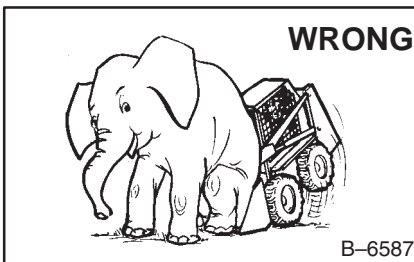
! Never carry riders.
! Keep bystanders away from work area.



WRONG

B-6595

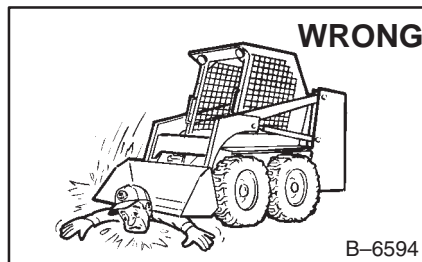
! Always carry bucket or attachments as low as possible.
! Do not travel or turn with lift arms up.
! Load, unload and turn on flat level ground.



WRONG

B-6587

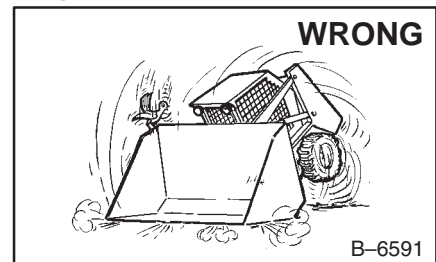
! Never exceed rated operating capacity.



WRONG

B-6594

! Never leave loader with engine running or with lift arms up.
! To park, engage parking brake and put attachment flat on the ground.



WRONG

B-6591

! Never modify equipment.
! Use only attachments approved by Melroe Company for this model loader.

SAFETY EQUIPMENT

The Bobcat loader must be equipped with safety items necessary for each job. Ask your dealer about attachments and accessories.

1. SEAT BELT: Check belt fasteners and check for damaged webbing or buckle.
2. SEAT BAR: When up, it must lock the pedals.
3. OPERATOR CAB (ROPS and FOPS): It must be on the loader with all fasteners tight.
4. HANDBOOK: Must be in the cab.
5. SAFETY SIGNS (DECALS): Replace if damaged.
6. SAFETY TREADS: Replace if damaged.
7. GRAB HANDLES: Replace if damaged.
8. LIFT ARM SUPPORT DEVICE
9. PARKING BRAKE

CONTENTS

| | |
|---------------------------------|-----|
| FOREWORD | iii |
| SAFETY | vii |
| OPERATING INSTRUCTIONS | 1 |
| PREVENTIVE MAINTENANCE | 25 |
| TROUBLESHOOTING | 47 |
| MAJOR PARTS | 53 |
| MACHINE SIGN TRANSLATIONS | 65 |
| SPECIFICATIONS | 73 |

REFERENCE INFORMATION

Write the correct information for YOUR Bobcat loader in the spaces below .
Always use these numbers when referring to your Bobcat loader.

Loader Serial Number _____
Engine Serial Number _____

NOTES: _____

YOUR BOBCAT LOADER DEALER: _____
ADDRESS: _____
PHONE: _____

FOREWORD

SAFETY

**OPERATING
INSTRUCTIONS**

**PREVENTIVE
MAINTENANCE**

**TROUBLE-
SHOOTING**

**MAJOR
PARTS**

**MACHINE SIGN
TRANSLATIONS**

SPECIFICATIONS



FOREWORD

FOREWORD

This Operation & Maintenance Manual was written to give the owner/operator instructions on the safe operation and maintenance of the Bobcat loader. **READ AND UNDERSTAND THIS OPERATION & MAINTENANCE MANUAL BEFORE OPERATING YOUR LOADER.** If you have any questions, see your Bobcat loader dealer.

SERIAL NUMBER LOCATIONSv...

DELIVERY REPORTv...

BOBCAT SKID STEER LOADER IDENTIFICATIONvi



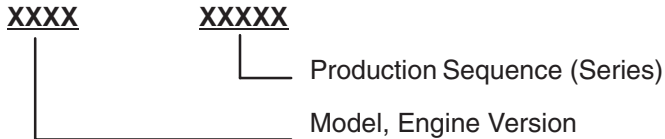
SERIAL NUMBER LOCATIONS

Always use the serial number of the loader when requesting service information or when ordering parts. Early or later models (identification made by serial number) may use different parts, or it may be necessary to use a different procedure in doing a specific service operation.

LOADER SERIAL NUMBER

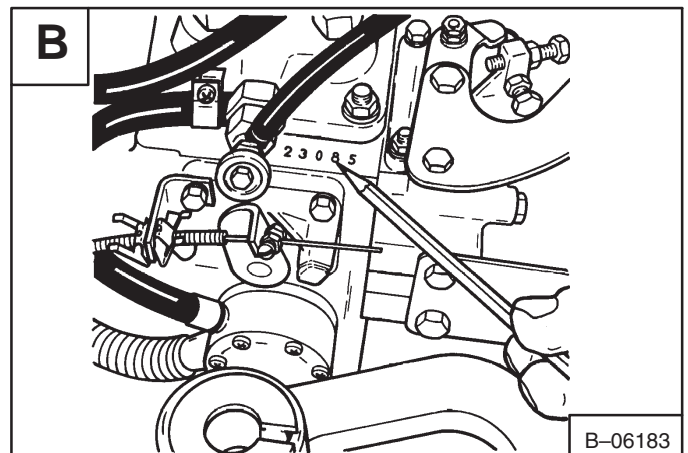
The Bobcat loader serial number plate location is on the inside of the operator cab on the right fender and in front of the seat **[A]**.

Explanation of loader Serial Number:



ENGINE SERIAL NUMBER

The engine serial number is located on the front of the engine on the fuel injection pump housing **[B]**. It is necessary to lift the operator cab to see the Engine Serial Number.

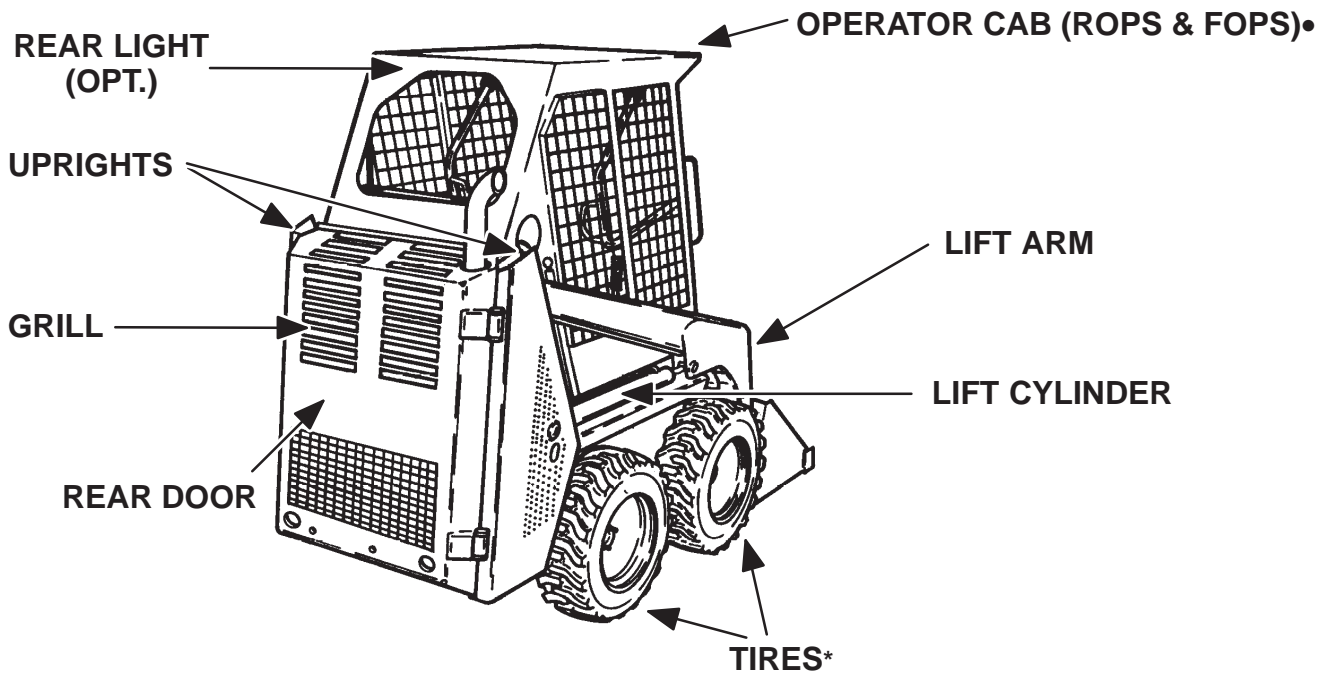
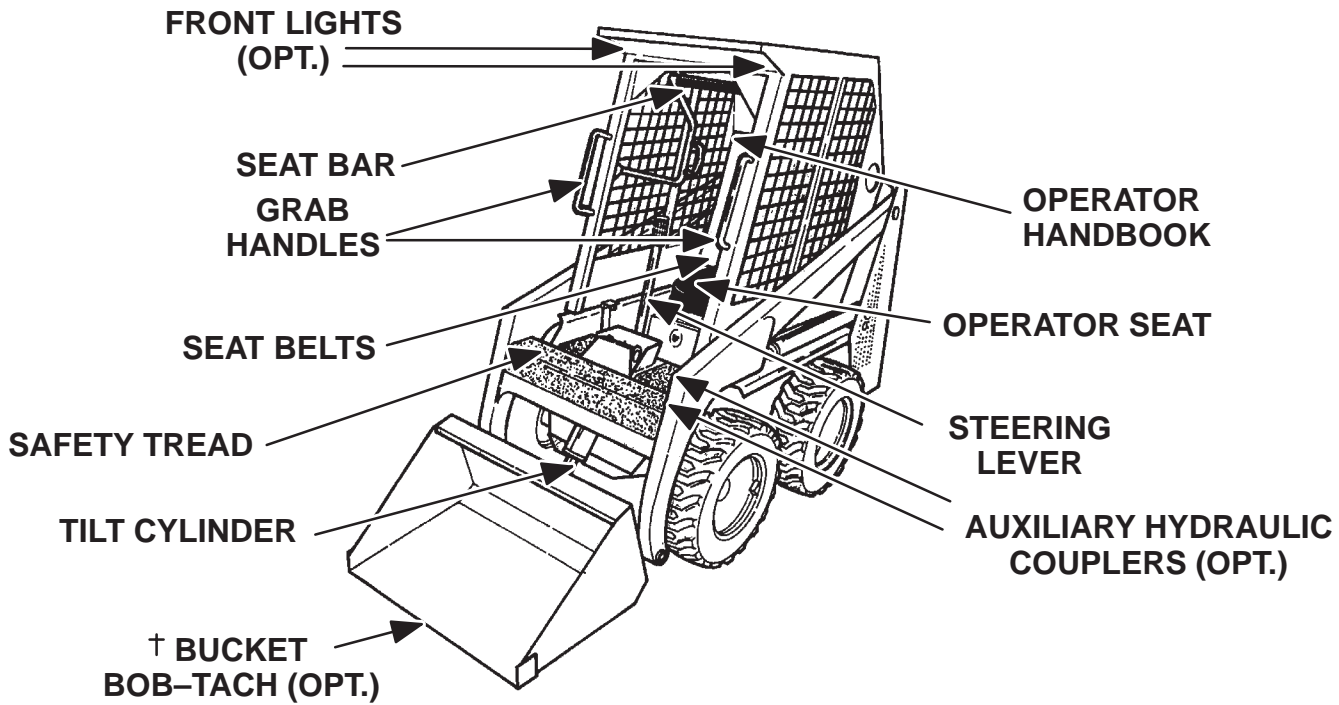


DELIVERY REPORT

The Delivery Report must be filled out by the dealer and signed by the owner or operator when the Bobcat loader is delivered. An explanation of the form must be given to the owner. Make sure it is filled out completely **[C]**.

A diagram of a 'DELIVERY REPORT' form. The form is divided into several sections. At the top right, it says 'DELIVERY REPORT'. Below that, there are several lines of text for information. On the left side, there is a section titled 'WARNING' with a dark background and white text. Below the 'WARNING' section, there are more lines of text. The letter 'C' is in a white box in the top left corner of the image.

BOBCAT LOADER IDENTIFICATION



B-09039
B-09040

- * TIRES – Flotation tires are shown. The Bobcat loader is base-equipped with standard tires.
- † BUCKET – Several different buckets and other attachments are available for the Bobcat loader.
- ROPS, FOPS – Roll-Over Protective Structure, Falling Object Protective Structure, per SAE J1040 and SAE J1043. The Bobcat loader is base-equipped with a standard operator cab as shown.

SAFETY

| | |
|------------------------------|-----------|
| SAFETY INSTRUCTIONS | ix, x |
| FIRE PREVENTION | xi |
| MACHINE SIGNS (DECALS) | xii, xiii |

SAFETY



This as a preview PDF file from best-manuals.com



Download full PDF manual at best-manuals.com