

AXION 850-810 (A09)

CLAAS

SN A0900050 - A0999999

Parts Catalog

Tractor




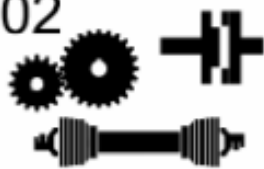


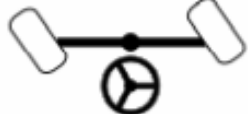




Service & Parts

CONTENT

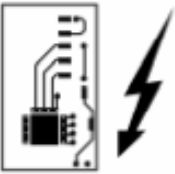


AXION 850-810 (SPL-ID ZT634)	2
01 ENGINE	4
02 COMPLETE COMPONENT	6
10 ENGINE HOUSING	19
15 ENGINE UNIT	32
20 CYLINDER HEAD - VALVES - IDLER GEAR	47
25 INJECTION - FUEL SYSTEM	62
30 LUBRICATING OIL SYSTEM	150
35 COOLING SYSTEM	159
40 EXHAUST SYSTEM	187
45 AIR INTAKE	201
50 ENGINE ATTACHMENT PARTS	216
55 ENGINE CONTROL	227
90 ACCESSORIES	238
02 GEARBOX - CLUTCH - UNIVERSAL DRIVE SHAFT	245
18 CLUTCH CONTROL	247
20 MECHANICAL REVERSER	250
28 REVERSER CONTROL	265
30 MECHANICAL GEARBOX	270
32 HYDRAULICAL GEARBOX	333
34 POWERSHIFT GEARBOX	344
38 GEARBOX CONTROL	357
40 REAR AXLE HOUSING	411
42 DIFFERENTIAL	467
48 REAR AXLE CONTROL	492
52 ELECTRO-HYDRAULICAL FRONT AXLE DRIVE	507
55 GEARBOX COOLING SYSTEM	532
90 ACCESSORIES	537
03 CHASSIS	569
25 DRIVEN STEERING AXLE, FRONT	570
40 FRONT WHEELS	721
45 REAR WHEELS	763
90 ACCESSORIES	835
04 BRAKE	838
05 SERVICE BRAKE	839
15 PARKING BRAKE	947
20 TRAILER AIR BRAKE	960
25 TRAILER HYDRAULIC BRAKE	1027
05 STEERING	1047
05 STEERING	1048
06 LIFT DEVICE	1087
05 REAR POWER LIFT	1088
10 FRONT POWER LIFT	1155
15 FRONT LOADER	1211
07 HITCH	1214
05 COUPLING FRAME	1215
20 HITCH	1262
08 DRIVES	1279
02 REAR PTO	1280
04 FRONT PTO	1360

09 HYDRAULIC SYSTEM	1373
10 PUMPS	1374
15 HYDRAULIC LINES	1379
15 HYDRAULIC LINES	1500
20 VALVES	1525
35 HYDRAULIC SYSTEM CONTROL - MONITORING	1603
90 ACCESSORIES	1636
10 ELECTRICAL - ELECTRONIC EQUIPMENT	1667
05 POWER SUPPLY	1668
10 CENTRAL ELECTRICS	1673
15 WIRING HARNESSSES	1703
20 DRIVING LIGHTS	1775
25 WORKING LIGHTS	1796
30 BOARD COMPUTER - INDICATORS	1803
35 OPERATION - MULTIFUNCTION CONTROL LEVER	1821
12 CAB - OPERATOR'S PLATFORM	1862
05 CAB SUSPENSION	1863
10 CAB	1887
25 MIRROR	1965
30 SEAT	1974
35 CAB HEATER	1996
40 AIR CONDITION	2009
90 ACCESSORIES	2032
80 VARIOUS COMPONENTS - MACHINE BODY	2035
05 FRAME	2036
25 PANELLINGS - HOODS	2039
30 MUD GUARDS	2064
35 BALLAST - ADDITIONAL WEIGHT	2085
45 LEGAL EQUIPMENT	2108
90 ACCESSORIES - INSTALATION KIT	2119

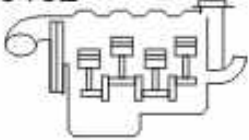
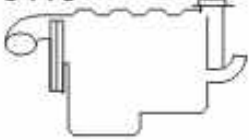
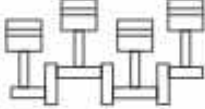
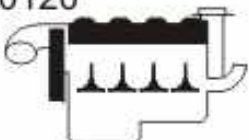




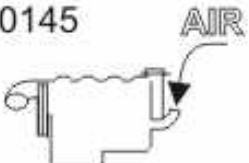
AXION 850-810

Picture	Description
01 	01 ENGINE
02 	02 GEARBOX / CLUTCH / UNIVERSAL DRIVE SHAFT
03 	03 CHASSIS
04 	04 BRAKE
05 	05 STEERING
06 	06 LIFT DEVICE
07 	07 HITCH
08 	08 DRIVES
09 	09 HYDRAULIC SYSTEM

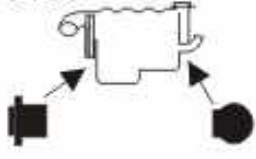
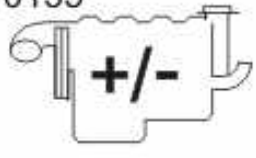
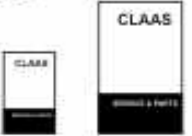
AXION 850-810

Picture	Description
10 	10 ELECTRICAL / ELECTRONIC EQUIPMENT
12 	12 CAB / OPERATOR'S PLATFORM
80 	80 VARIOUS COMPONENTS / MACHINE BODY




01 ENGINE

Picture	Description
0102 	02 COMPLETE COMPONENT
0110 	10 ENGINE HOUSING
0115 	15 ENGINE UNIT
0120 	20 CYLINDER HEAD / VALVES / IDLER GEAR
0125 	25 INJECTION - / FUEL SYSTEM
0130 	30 LUBRICATING OIL SYSTEM
0135 	35 COOLING SYSTEM
0140 	40 EXHAUST SYSTEM
0145 	45 AIR INTAKE

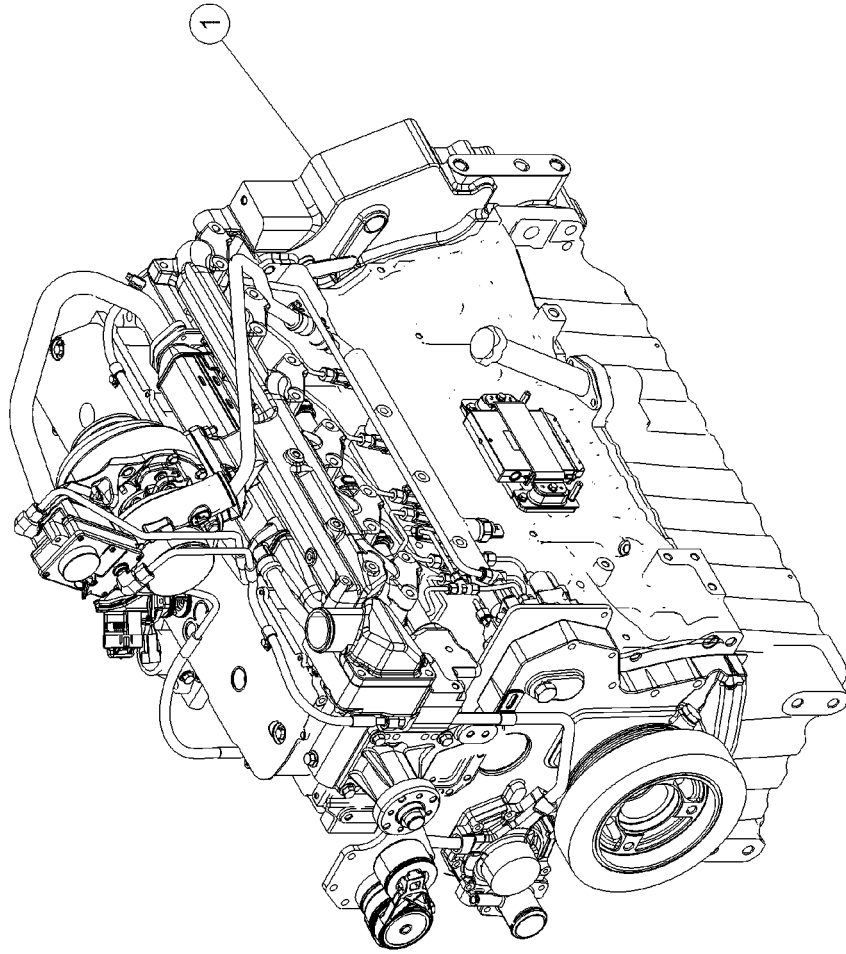
01 ENGINE

Picture	Description
0150 	50 ENGINE ATTACHMENT PARTS
0155 	55 ENGINE CONTROL
0190 	90 ACCESSORIES

02 COMPLETE COMPONENT

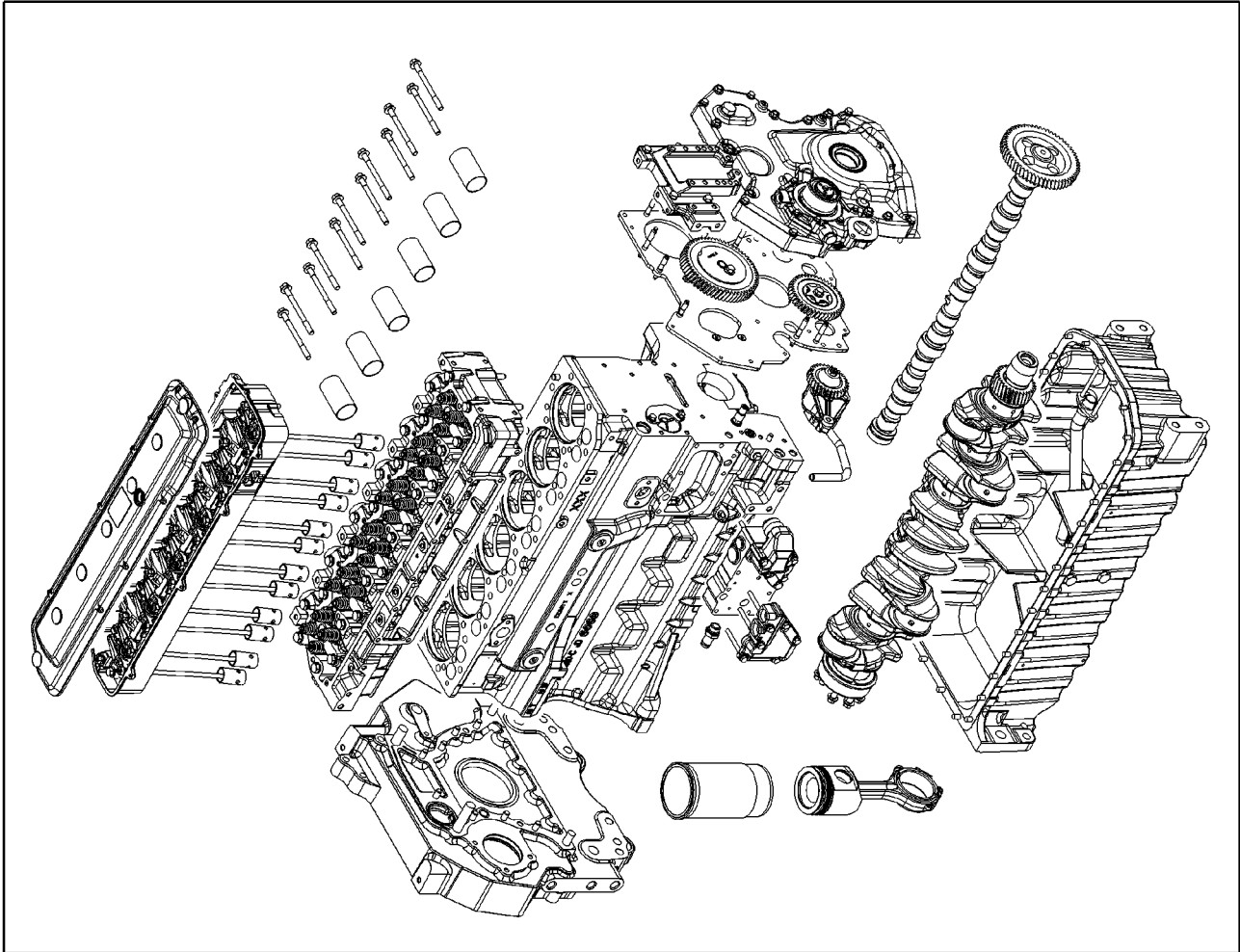
Picture	Description	Drawing number	BGZ	Conditions
	010 COMPLETE ENGINE	10101A	0102010	1)
	010 COMPLETE ENGINE	10101B	0102010	2)
	010 COMPLETE ENGINE	10101C	0102010	3)

1) Equipment	Equipment	TJ_060_0003	Without boost. Emission level TIER 3
	Equipment	TJ_064_0000	HEXASHIFT
	Equipment	TJ_064_0001	HEXASHIFT gearbox
	Equipment	TJ_101_0002	HEXACTIV automatic gearbox 24/24 4 range 6 powershift transmission
2) Equipment	Equipment	TJ_060_0004	With boost. Emissions level TIER 3
	Equipment	TJ_064_0000	HEXASHIFT
	Equipment	TJ_064_0001	HEXASHIFT gearbox
	Equipment	TJ_101_0002	HEXACTIV automatic gearbox 24/24 4 range 6 powershift transmission
3) Equipment	Equipment	TJ_060_0004	With boost. Emissions level TIER 3
	Equipment	TJ_064_0002	Management of the CVT transmission
	Equipment	TJ_101_0006	CVT transmission



010 COMPLETE ENGINE 1)

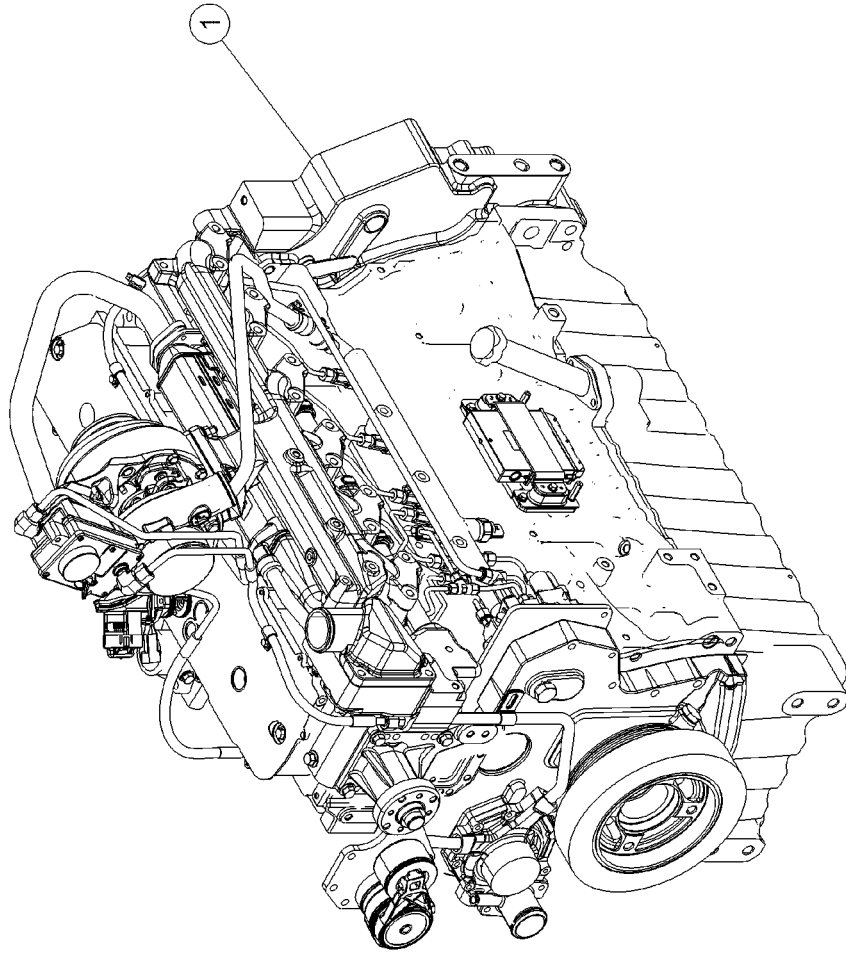
Pos.	Part No.	Description	Dimension	Quantity	Conditions
1	00 1100 801 0	ENGINE	124 KW	1	2)
1	00 1100 803 0	ENGINE	139 KW	1	3)
1	00 1100 805 1	ENGINE		1	4)
1)	Equipment				
	Equipment	TJ_060_0003	Without boost. Emission level TIER 3		
		TJ_064_0000	HEXASHIFT		
		TJ_064_0001	HEXASHIFT gearbox		
		TJ_101_0002	HEXACTIV automatic gearbox		
			24/24 4 range 6 powershift transmission		
2)	Homologationtype			+ 4702	
				163Ch	
3)	Homologationtype			+ 4712	
				183Ch	
4)	Homologationtype			+ 4722	
				196Ch	



1

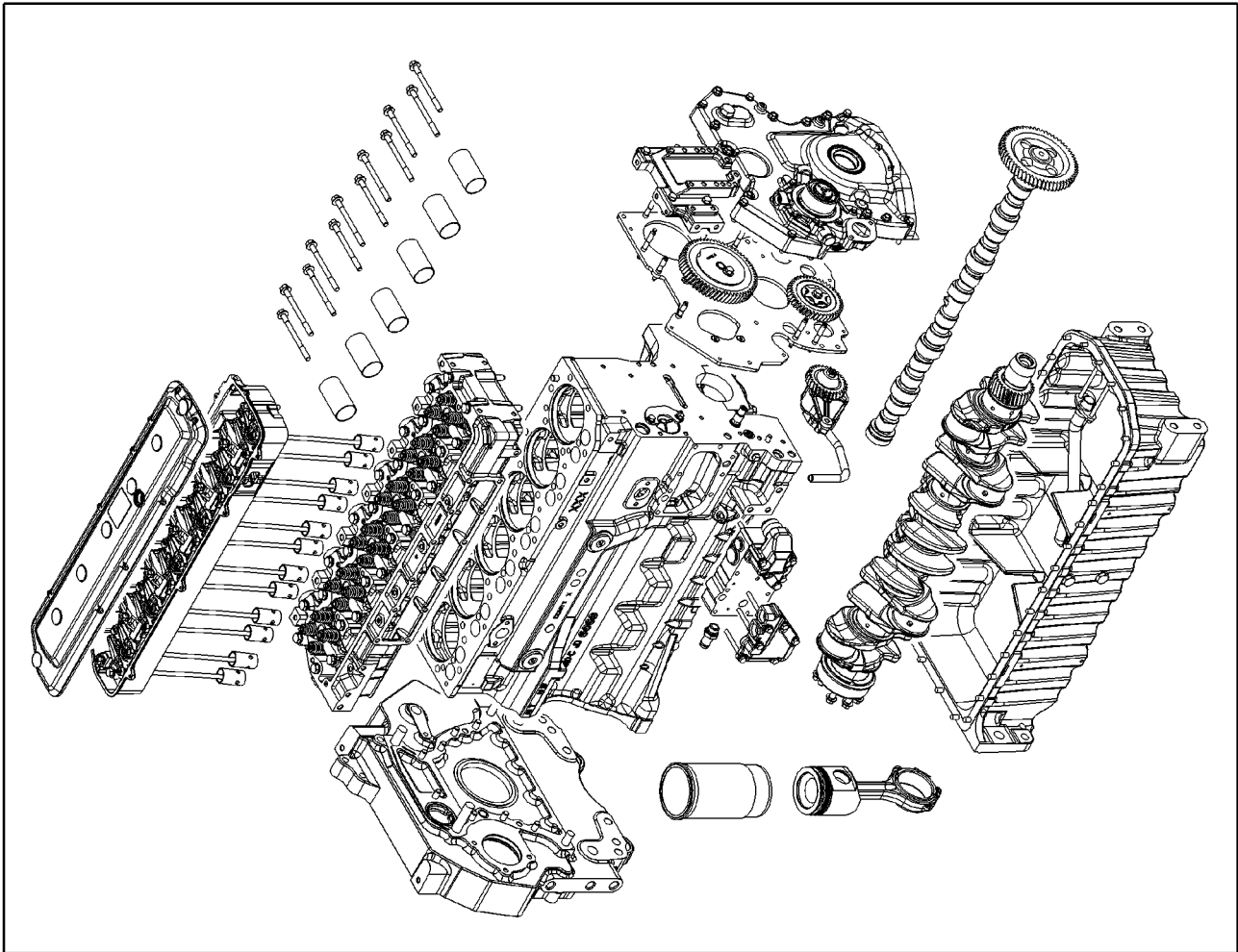
010 COMPLETE ENGINE 1)

Pos.	Part No.	Description	Dimension	Quantity	Conditions
1	00 1150 446 0	LONG BLOCK ENGINE		1	2)
1	00 1150 448 0	LONG BLOCK ENGINE		1	3)
1)	Equipment				
	Equipment	TJ_060_0003	Without boost. Emission level TIER 3 HEXASHIFT		
		TJ_064_0000	HEXASHIFT gearbox		
		TJ_064_0001	HEXACTIV automatic gearbox		
		TJ_101_0002	24/24 4 range 6 powershift transmission		
2)	Homologationtype			+ 4702	
3)	Homologationtype			+ 4712 + 4722	



010 COMPLETE ENGINE 1)

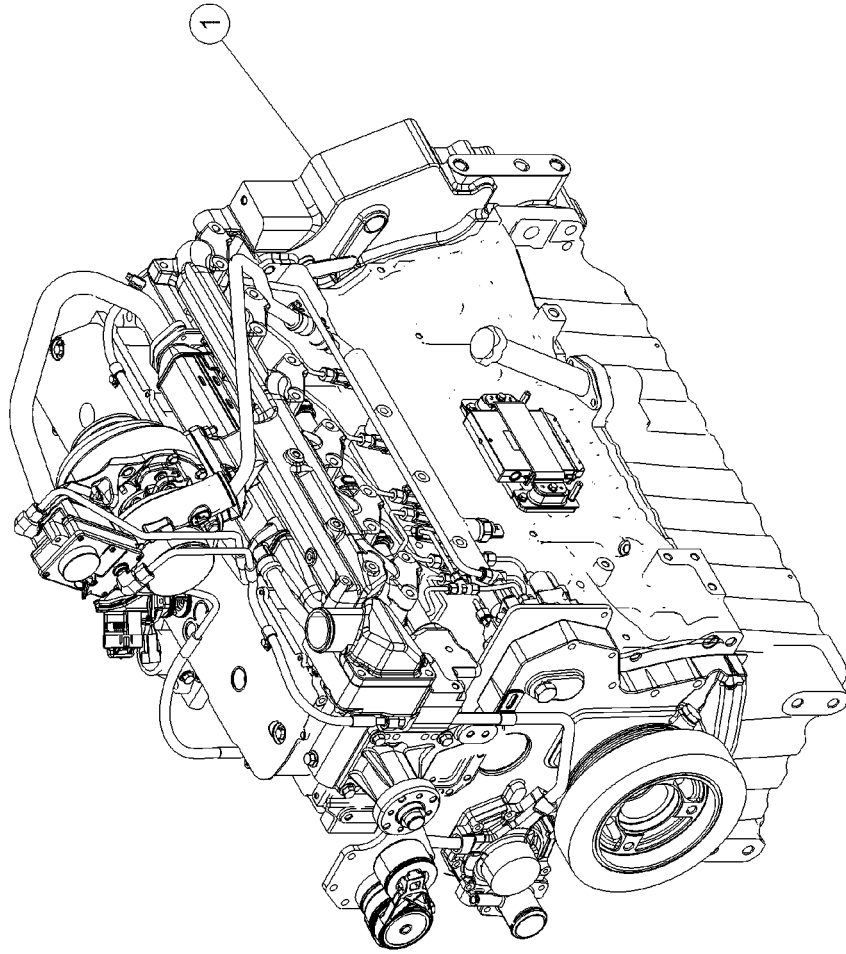
Pos.	Part No.	Description	Dimension	Quantity	Conditions
1	00 1114 481 1	ENGINE		1	2)
1	00 1114 482 1	ENGINE		1	3)
1	00 1100 806 1	ENGINE		1	4)
1	00 1100 807 1	ENGINE		1	5)
1)	Equipment				
	Equipment	TJ_060_0004	With boost. Emissions level TIER 3 HEXASHIFT		
		TJ_064_0000	HEXASHIFT gearbox		
		TJ_064_0001	HEXACTIV automatic gearbox		
		TJ_101_0002	24/24 4 range 6 powershift transmission		
2)	Homologationtype			+ 4702 165Ch	
3)	Homologationtype			+ 4712 185Ch	
4)	Homologationtype			+ 4722 205Ch	
5)	Homologationtype			+ 4732 225Ch	



1

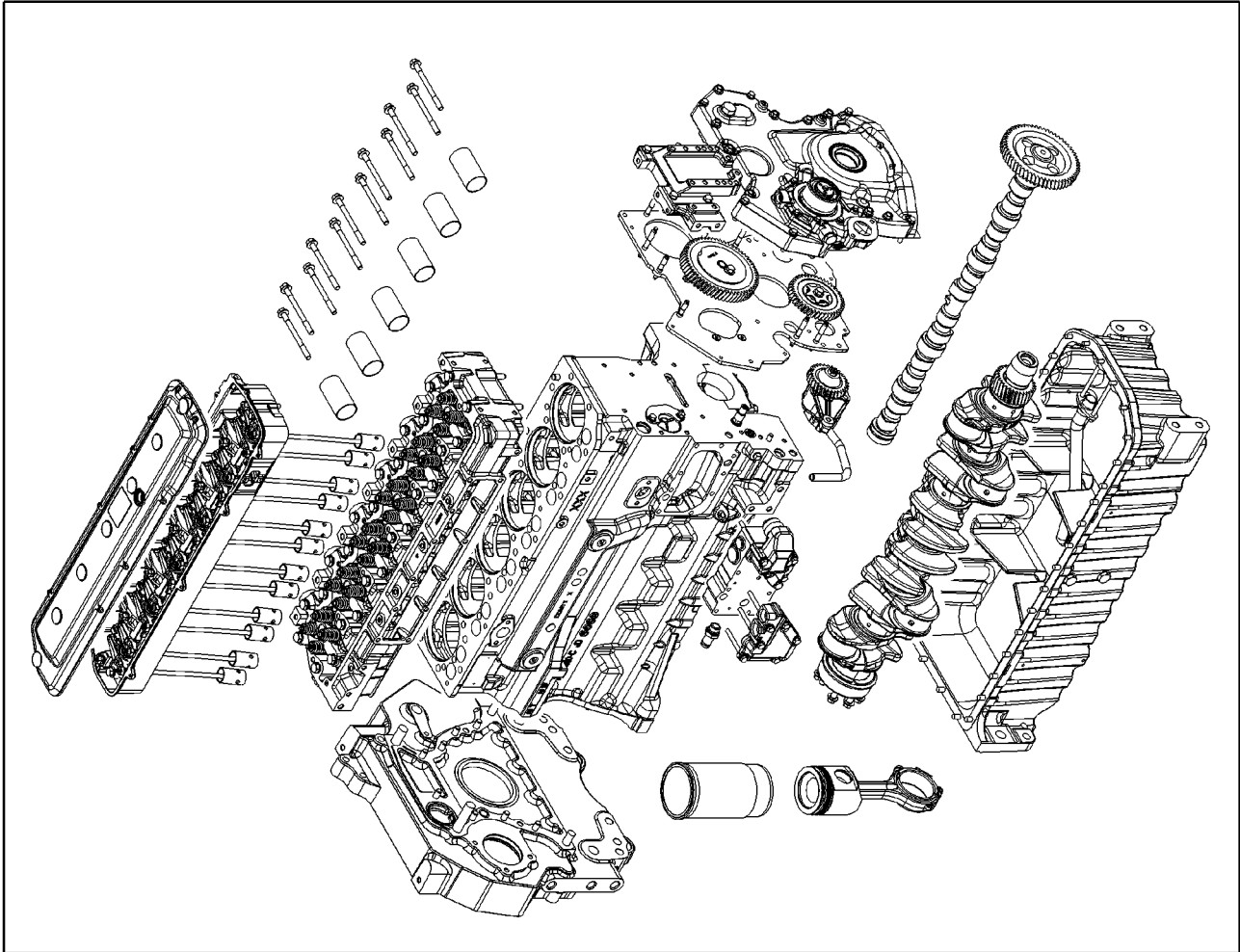
010 COMPLETE ENGINE 1)

Pos.	Part No.	Description	Dimension	Quantity	Conditions
1	00 1150 446 0	LONG BLOCK ENGINE		1	2)
1	00 1150 448 0	LONG BLOCK ENGINE		1	3)
1)	Equipment				
	Equipment	TJ_060_0004	With boost. Emissions level TIER 3 HEXASHIFT		
		TJ_064_0000	HEXASHIFT gearbox		
		TJ_064_0001	HEXACTIV automatic gearbox		
		TJ_101_0002	24/24 4 range 6 powershift transmission		
2)	Homologationtype			+ 4702	
3)	Homologationtype			+ 4712	
				+ 4722	
				+ 4732	



010 COMPLETE ENGINE 1)

Pos.	Part No.	Description	Dimension	Quantity	Conditions
1	00 1108 916 1	ENGINE		1	2)
1	00 1108 494 1	ENGINE		1	3)
1	00 1108 495 1	ENGINE		1	4)
1)	Equipment				
	Equipment	TJ_060_0004	With boost. Emissions level TIER 3		
		TJ_064_0002	Management of the CVT transmission		
		TJ_101_0006	CVT transmission		
2)	Homologationtype			+ 4702	
3)	Homologationtype			+ 4712	
4)	Homologationtype			+ 4722	








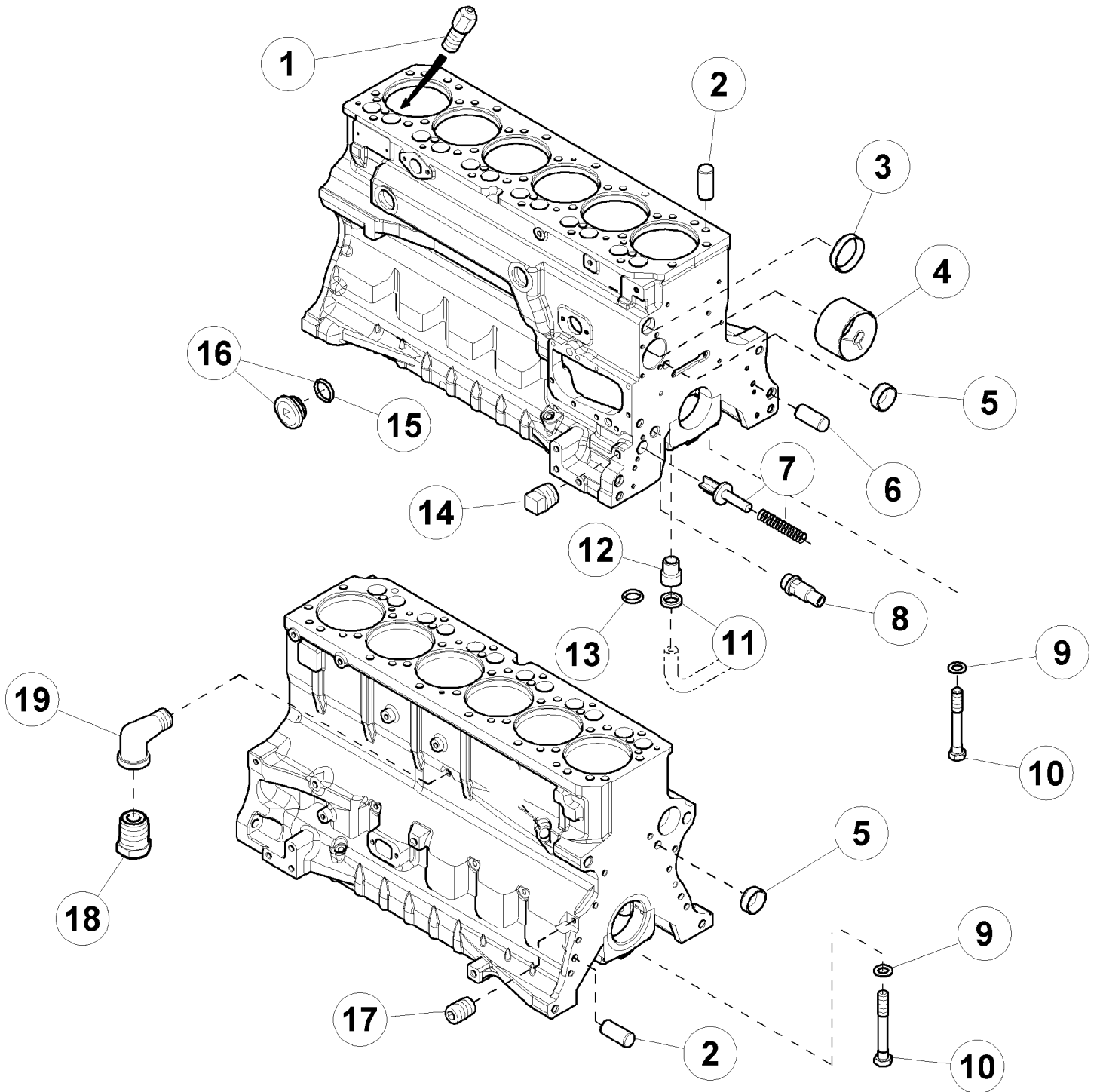
1

010 COMPLETE ENGINE 1)

Pos.	Part No.	Description	Dimension	Quantity	Conditions
1	00 1150 446 0	LONG BLOCK ENGINE		1	2)
1	00 1150 448 0	LONG BLOCK ENGINE		1	3)
1)	Equipment				
	Equipment	TJ_060_0004	With boost. Emissions level TIER 3		
		TJ_064_0002	Management of the CVT transmission		
		TJ_101_0006	CVT transmission		
2)	Homologationtype			+ 4702	
3)	Homologationtype			+ 4712	
				+ 4722	

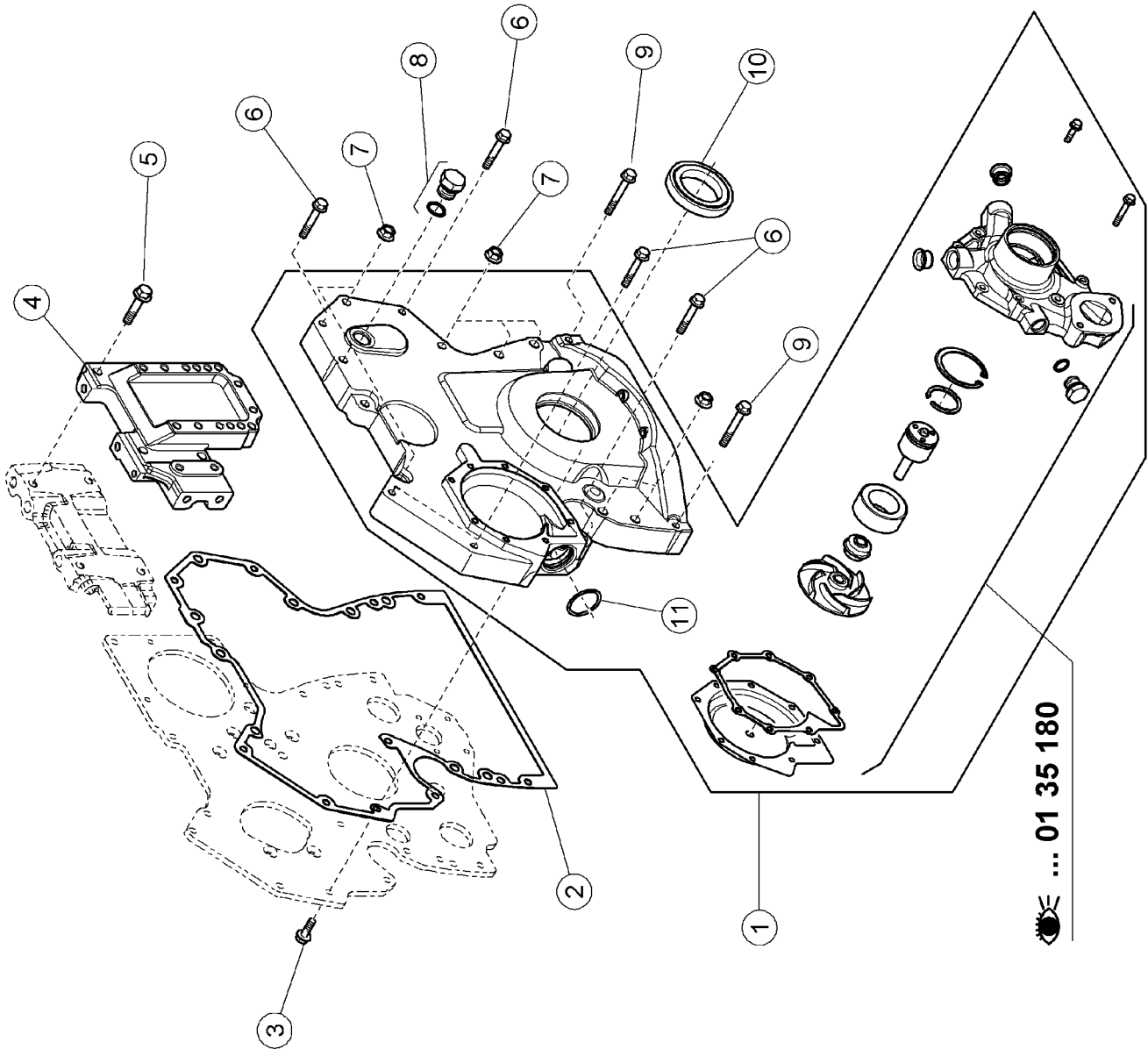
10 ENGINE HOUSING

Picture	Description	Drawing number	BGZ	Conditions
	100 CRANKCASE	11105A	0110100	
	120 TIMING CASE	11110A	0110120	
	140 FLYWHEEL HOUSING	11115A	0110140	
	160 OIL PAN	11120A	0110160	
	180 PLUGS	11107A	0110180	



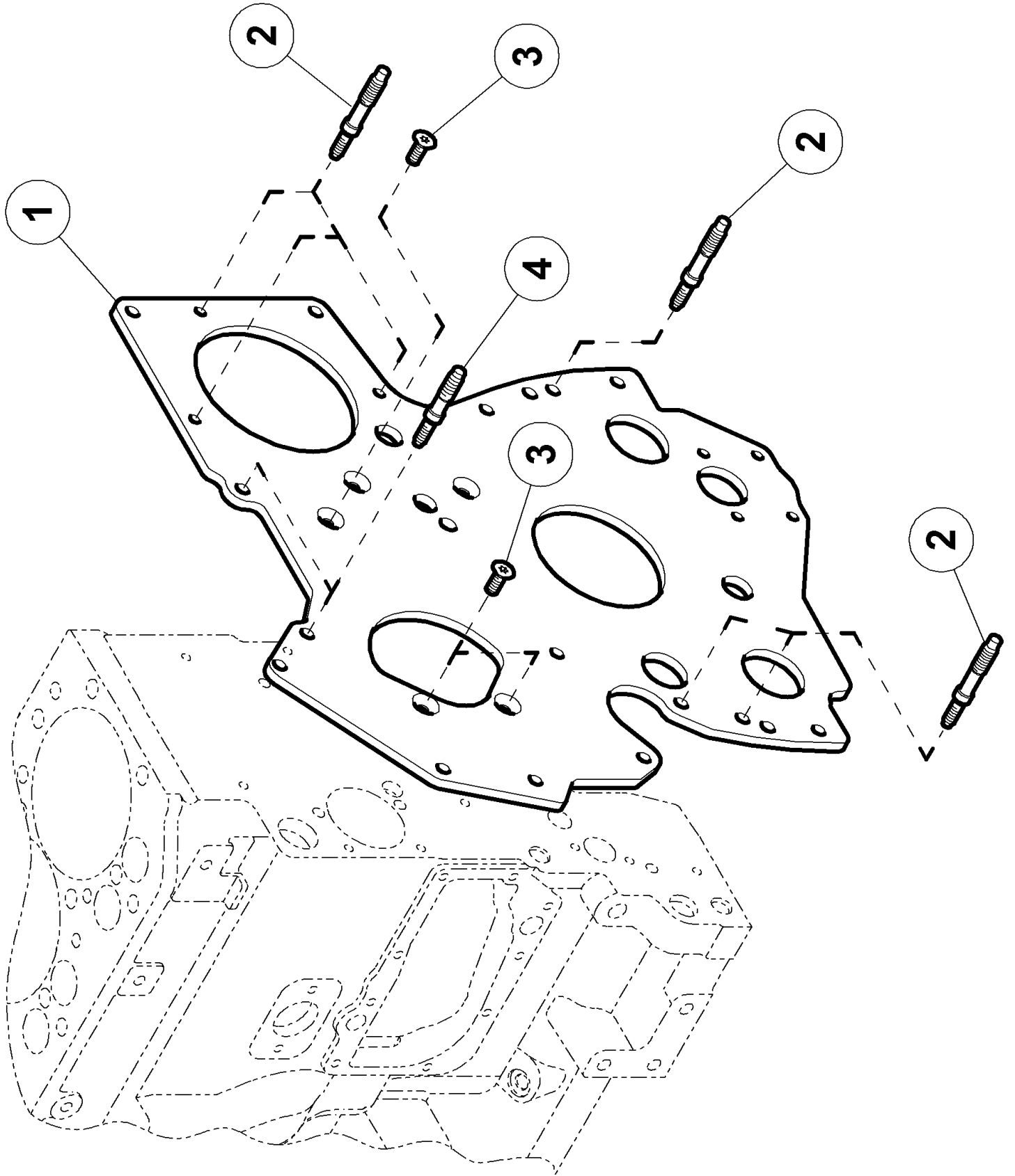
100 CRANKCASE

Pos.	Part No.	Description	Dimension	Quantity	Conditions
1	60 0502 143 6	SPRAY NOZZLE		6	
2	60 0501 317 4	LOCATING PIN		2	
3	60 0502 143 9	BLANKING COVER		1	
4	60 0501 294 1	BEARING		1	
5	60 0501 319 8	BLANKING COVER		2	
6	60 0501 319 6	LOCATING PIN		1	
7	60 0501 402 9	VALVE		1	
8	60 0502 869 1	VALVE		1	
9	60 0502 143 7	WASHER	13X22X2,5	14	
10	60 0501 320 6	SCREW		14	
11	60 0501 334 1	O-RING		1	
12	60 0501 597 2	SLEEVE		1	
13	60 0501 320 3	O-RING	15,47X3,53	1	
14	60 0501 597 1	LOCK		1	
15	60 0502 339 4	O-RING	37,77X2,62	1	
16	60 0502 905 2	LOCK		1	
17	60 0502 144 0	LOCK		1	
18	60 0502 665 3	LOCK		1	
19	00 1132 468 0	MANIFOLD CONNECTION		1	



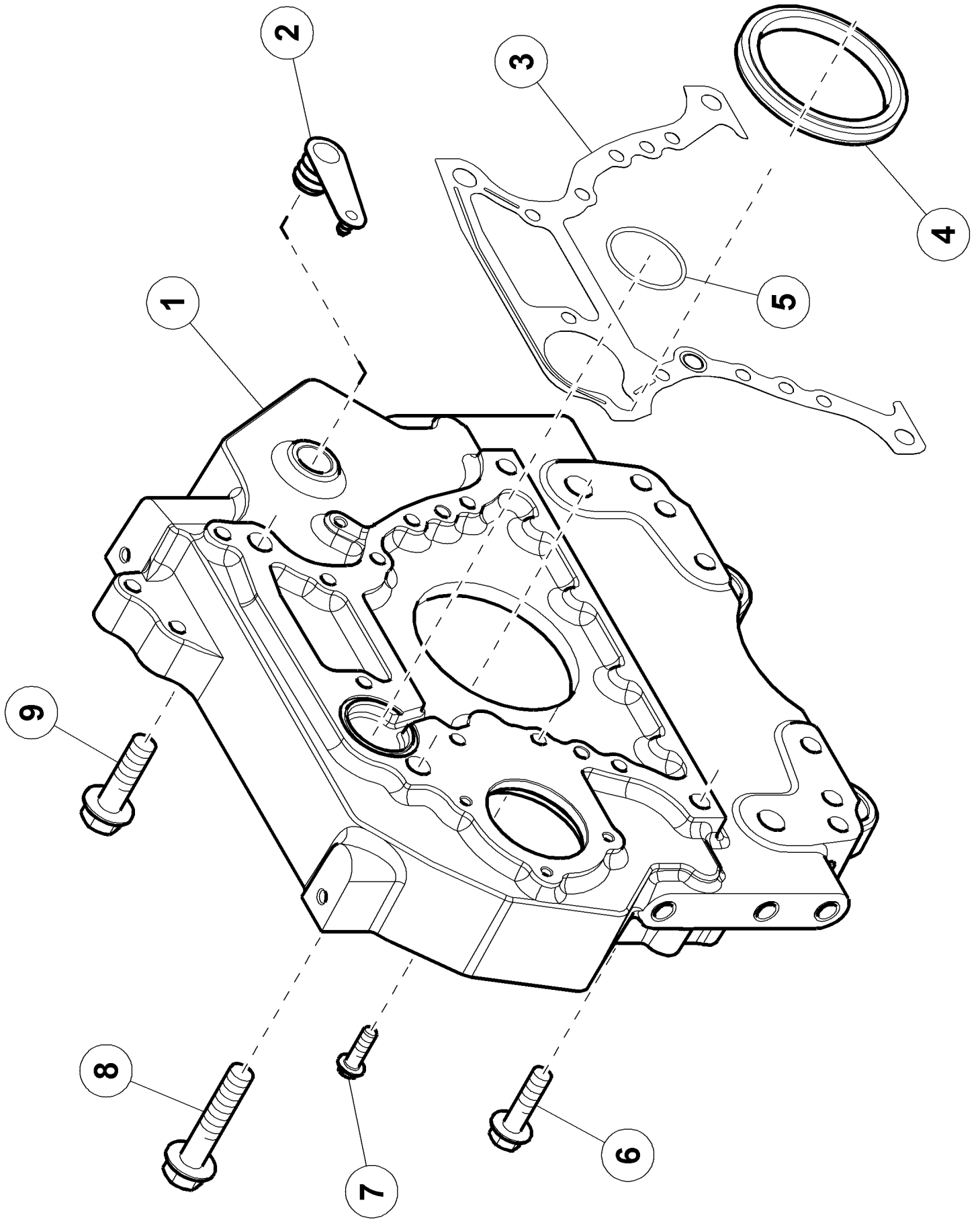
120 TIMING CASE

Pos.	Part No.	Description	Dimension	Quantity	Conditions
1	00 1162 415 0	BOX		1	
2	00 1162 416 0	FLAT SEAL		1	
3	60 0502 145 6	SCREW	M8X25	1	
4	00 1132 471 0	SUPPORT		4	
5	60 0502 716 2	SCREW	M10X45-LH	4	
6	60 0502 593 6	SCREW	M8X50	5	
7	60 0502 144 9	NUT	M10	9	
8	60 0502 160 3	LOCK	M22X1,5	1	
9	60 0502 145 0	SCREW	M08X60	3	
10	60 0503 024 7	SEALING RING		1	
11	60 0500 796 4	O-RING	37,69 X 3,53	1	



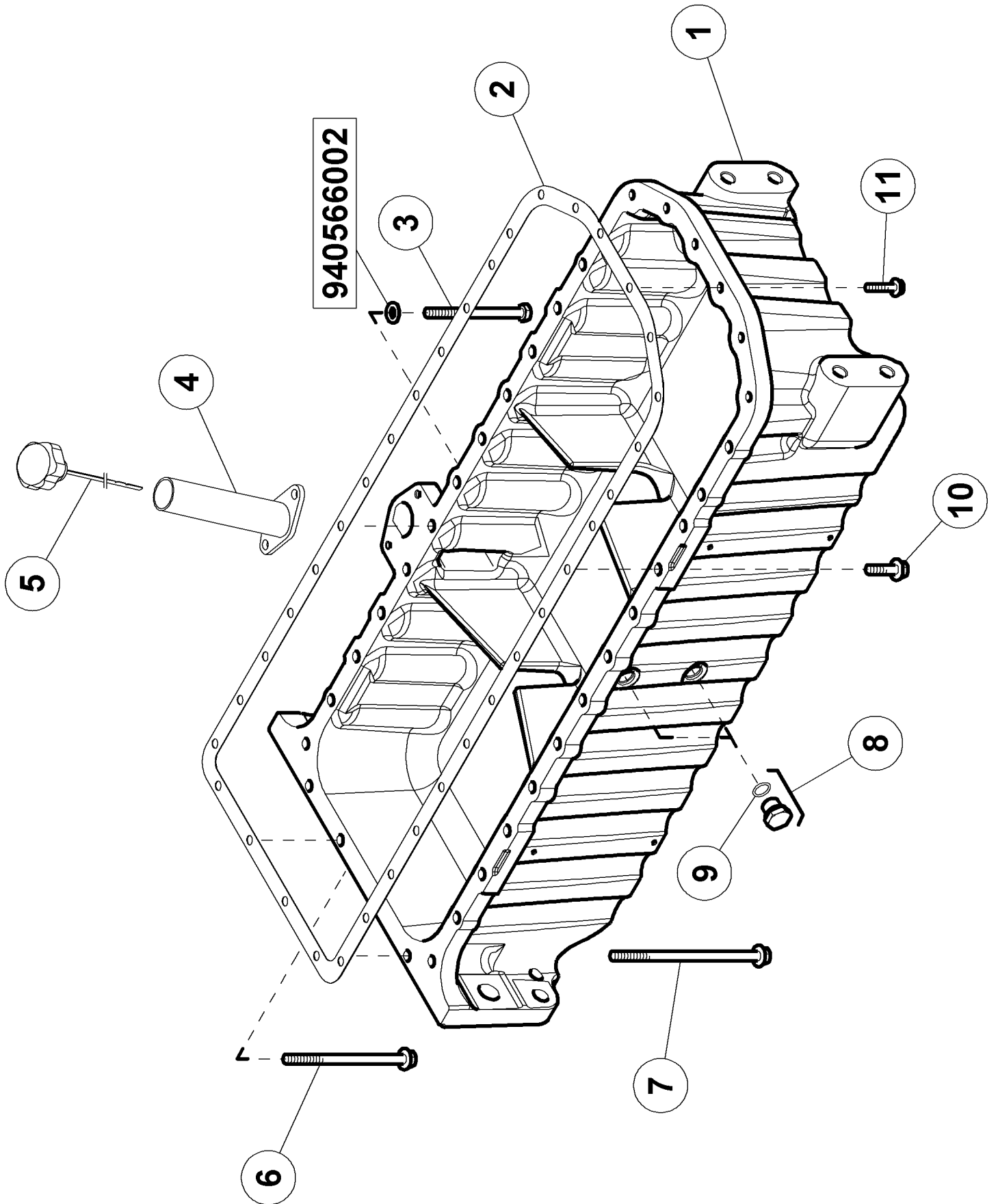
120 TIMING CASE

Pos.	Part No.	Description	Dimension	Quantity	Conditions
1	00 1132 472 0	PLATE		1	
2	00 1132 473 0	STUD BOLT		7	
3	60 0502 339 7	SCREW		5	
4	60 0502 339 8	STUD BOLT		2	



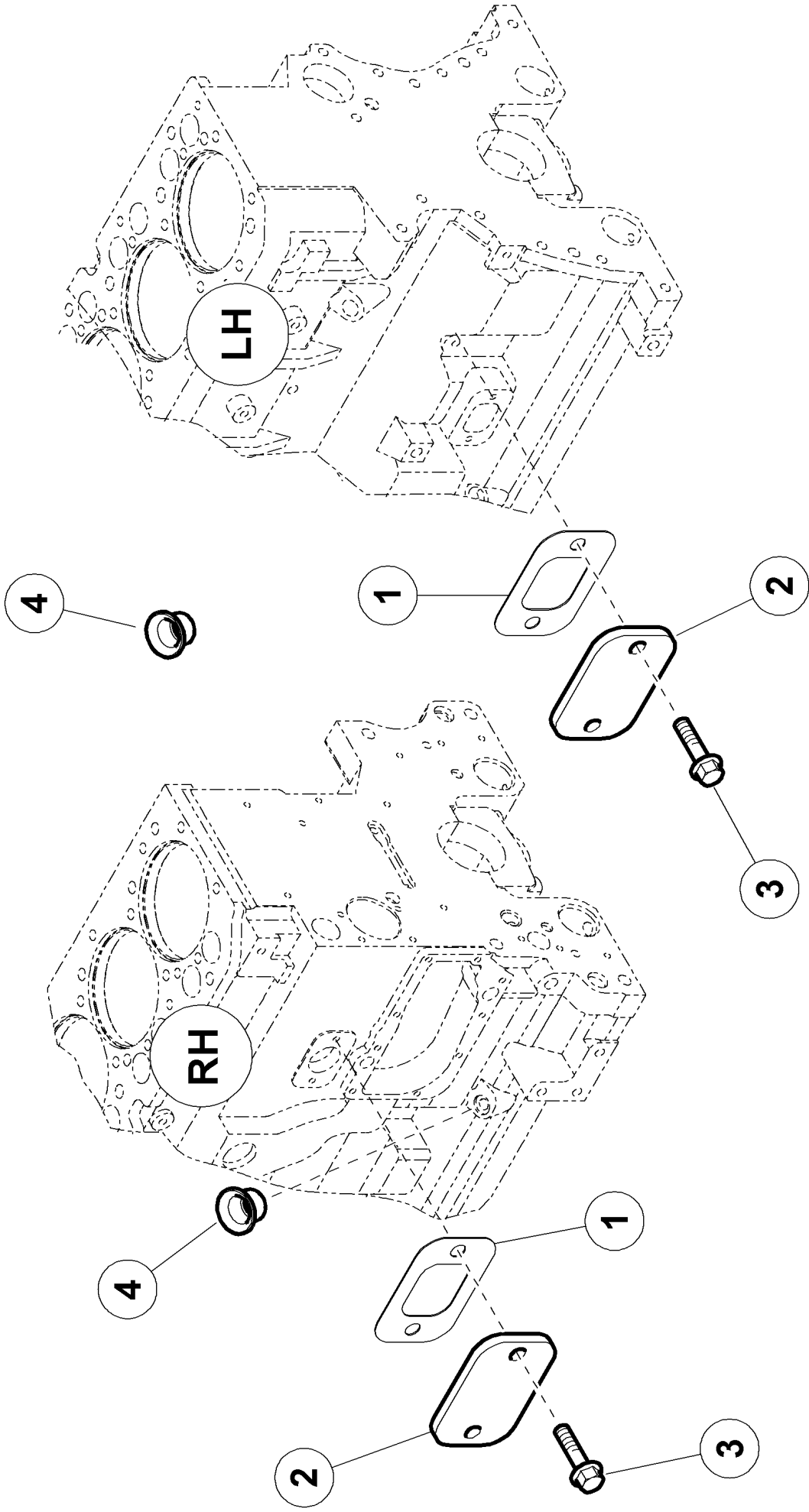
140 FLYWHEEL HOUSING

Pos.	Part No.	Description	Dimension	Quantity	Conditions
1	77 0007 440 4	CARTER VOLANT MOTEUR		1	
2	60 0501 611 6	BLANKING COVER		1	
3	77 0005 577 1	GASKET		1	
4	60 0501 279 0	SHAFT SEAL	118X146X15	1	
5	60 0501 604 9	O-RING		1	
6	60 0502 777 3	SCREW	M16X60	2	
7	60 0502 625 8	SCREW	12 X 1,75 -37 - M12X40	8	
8	00 1132 477 0	SCREW	M20X100	1	
9	00 1132 476 0	SCREW		1	



160 OIL PAN

Pos.	Part No.	Description	Dimension	Quantity	Conditions
1	00 1145 558 0	BOX		1	
2	60 0502 666 6	GASKET		1	
3	60 0502 147 1	SCREW		2	
4	60 0502 942 0	TUBE		1	
5	00 1131 807 0	LEVEL TRANSMITTER		1	
6	00 1132 474 0	SCREW		2	
7	00 1132 475 0	SCREW		2	
8	60 0502 160 7	SCREW PLUG	F-M18X1,5 ERS.D.7700054	2	
9	60 0502 160 8	O-RING	15,3X2,2-N	2	
10	60 0502 165 4	SCREW	M10X35	24	
11	60 0502 144 4	SCREW	M8X35	6	
94056 6002	77 0305 307 5	WASHER	10,4 X 20 X 2	2	



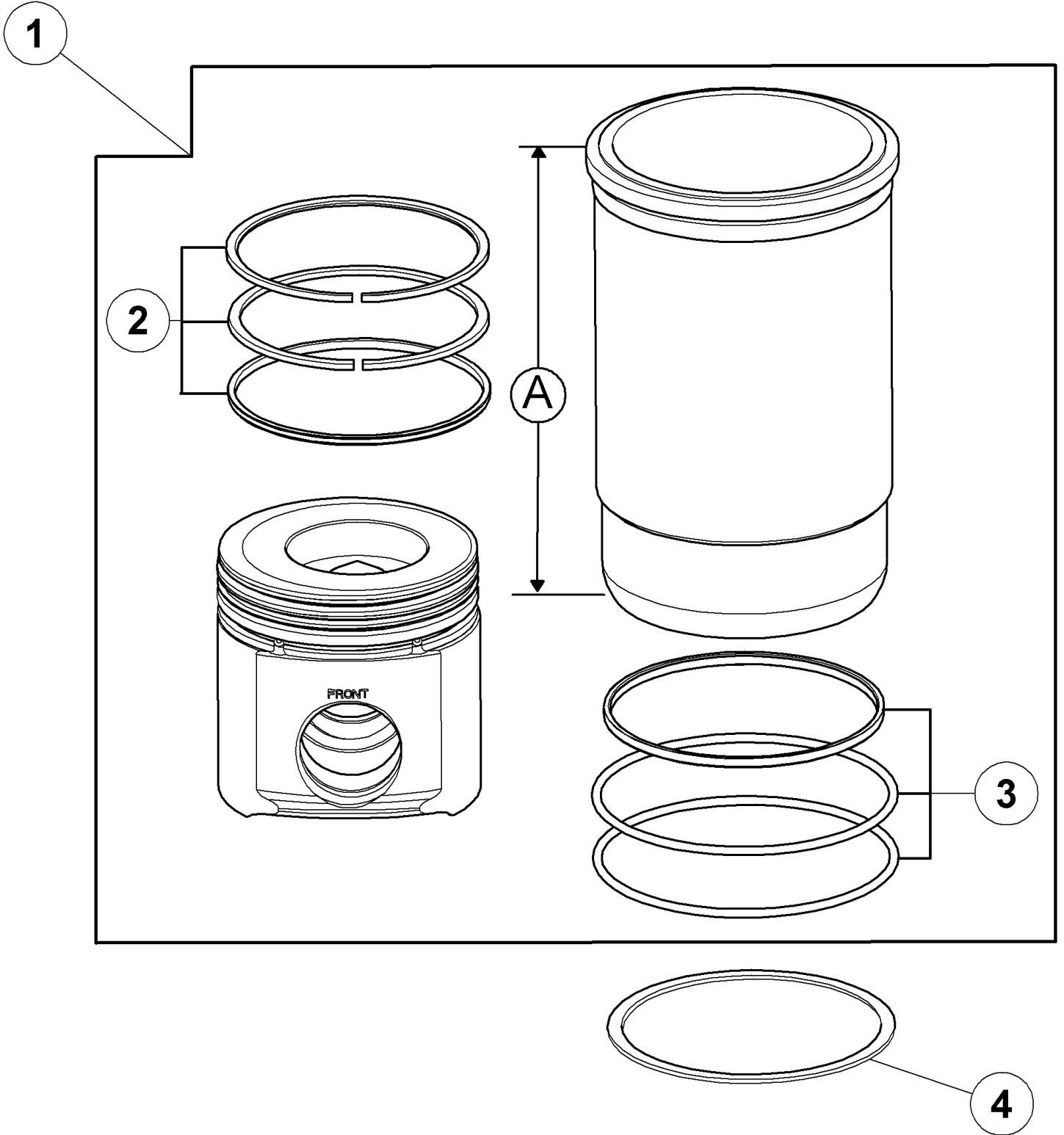
180 PLUGS

Pos.	Part No.	Description	Dimension	Quantity	Conditions
1	60 0502 470 4	GASKET		2	
2	60 0502 470 2	PLATE		2	
3	60 0502 149 8	SCREW	M8X20	4	
4	60 0502 662 4	LOCK		2	

15 ENGINE UNIT

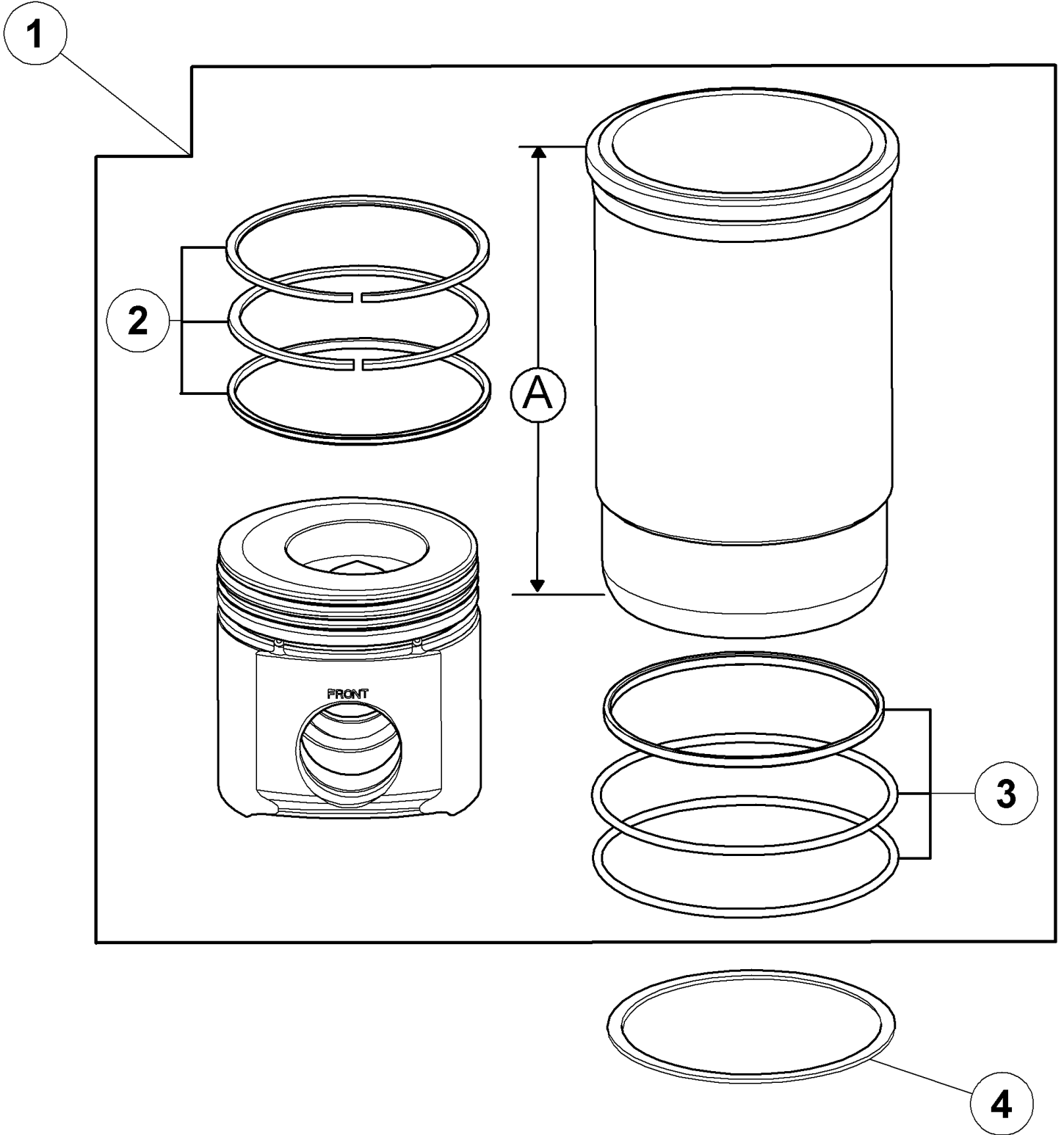
Picture	Description	Drawing number	BGZ	Conditions
	100 CYLINDER LINER, PISTON	12105A	0115100	1)
	100 CYLINDER LINER, PISTON	12105B	0115100	2)
	120 CONNECTING ROD, CONNECTING ROD BEARINGS	12110A	0115120	
	140 CRANKSHAFT	12120A	0115140	
	160 CRANKSHAFT PULLEY WHEEL	12125A	0115160	
	220 FLYWHEEL	12130A	0115220	3)
	220 FLYWHEEL	12130B	0115220	4)

1) Homologationtype		+ 4702
2) Homologationtype		- 4702
3) Equipment	TJ_064_0000 TJ_064_0001 TJ_101_0002	HEXASHIFT HEXASHIFT gearbox HEXACTIV automatic gearbox 24/24 4 range 6 powershift transmission
4) Equipment	TJ_064_0002 TJ_101_0006	Management of the CVT transmission CVT transmission



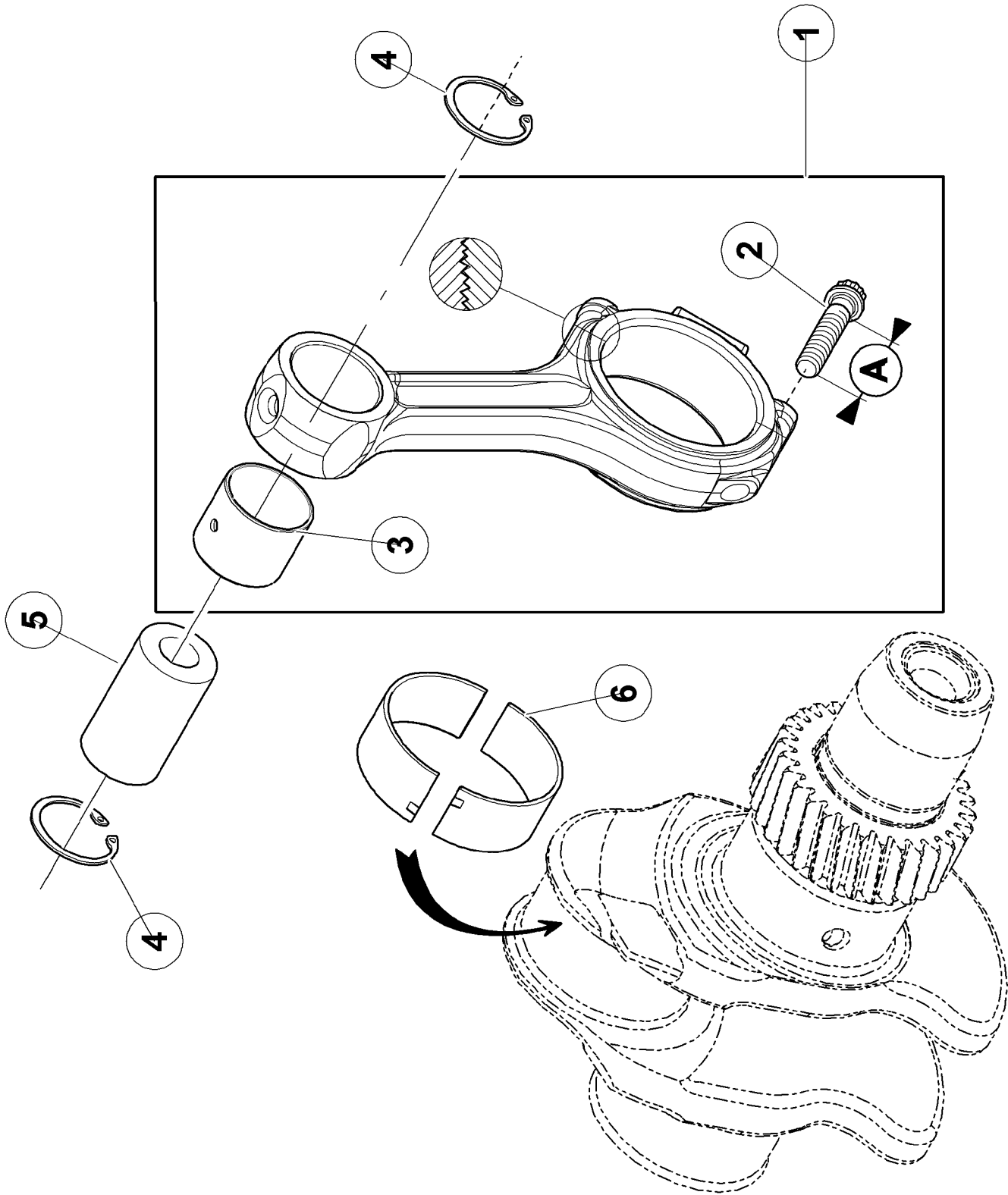
100 CYLINDER LINER, PISTON 1)

Pos.	Part No.	Description	Dimension	Quantity	Conditions
1	00 1132 478 0	PISTON-LINER		6	
2	00 1132 480 0	PISTON RING SET		6	
3	60 0501 280 9	SEALING RING SET		6	
4	60 0501 281 5	ADJUSTING DISC		6	2)
4	60 0501 281 6	ADJUSTING DISC		6	3)
1)	Homologationtype		+ 4702		
2)	Remarks		[SR] EP.0.05MM		
3)	Remarks		[SR] EP.0.10MM		



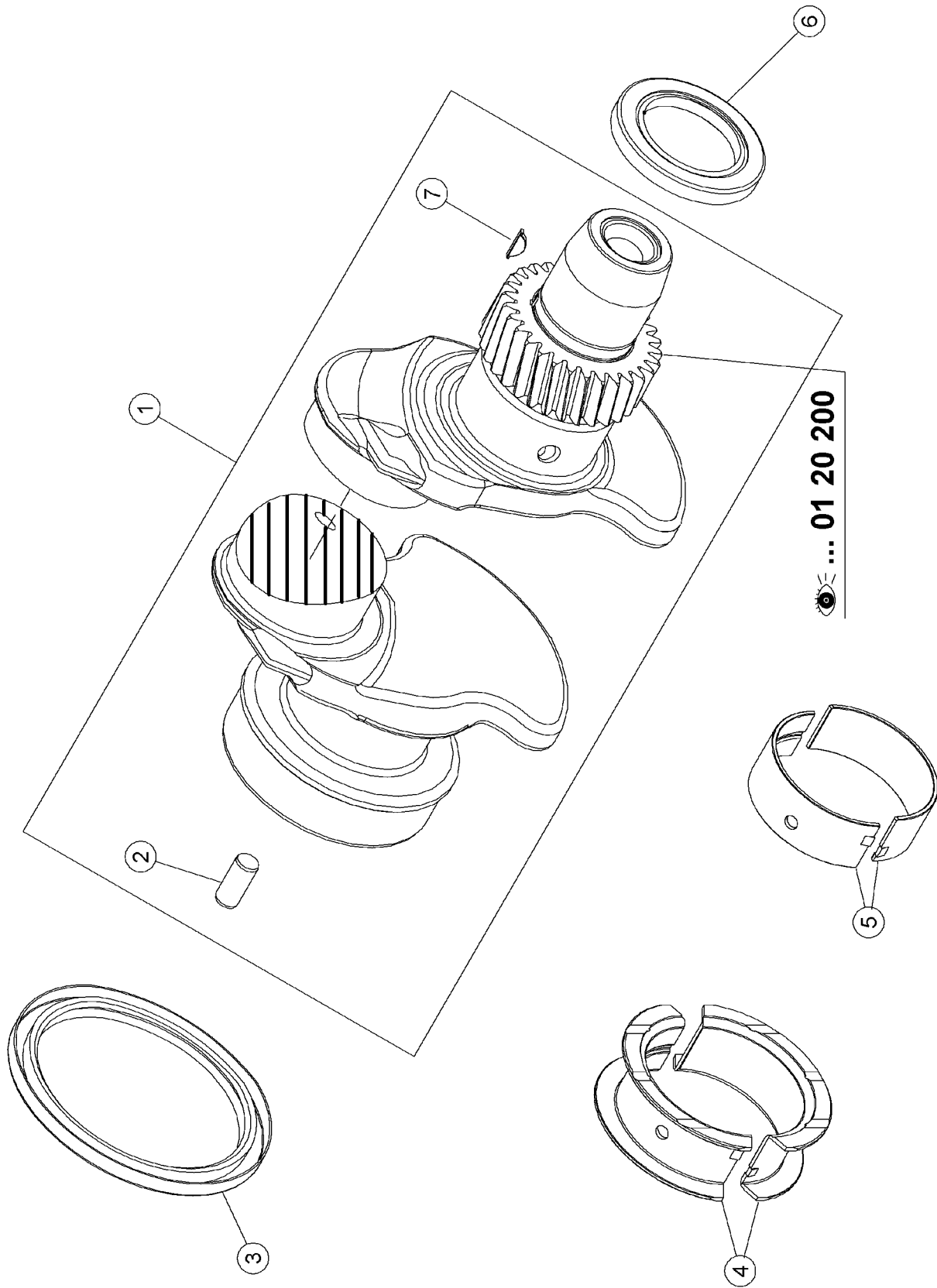
100 CYLINDER LINER, PISTON 1)

Pos.	Part No.	Description	Dimension	Quantity	Conditions
1	00 1132 479 0	CYLINDER/RAM		6	
2	00 1132 481 0	PISTON RING SET		6	
3	60 0501 280 9	SEALING RING SET		6	
4	60 0501 281 5	ADJUSTING DISC		6	2)
4	60 0501 281 6	ADJUSTING DISC		6	3)
1)	Homologationtype		- 4702		
2)	Remarks		[SR] EP.0.05MM		
3)	Remarks		[SR] EP.0.10MM		



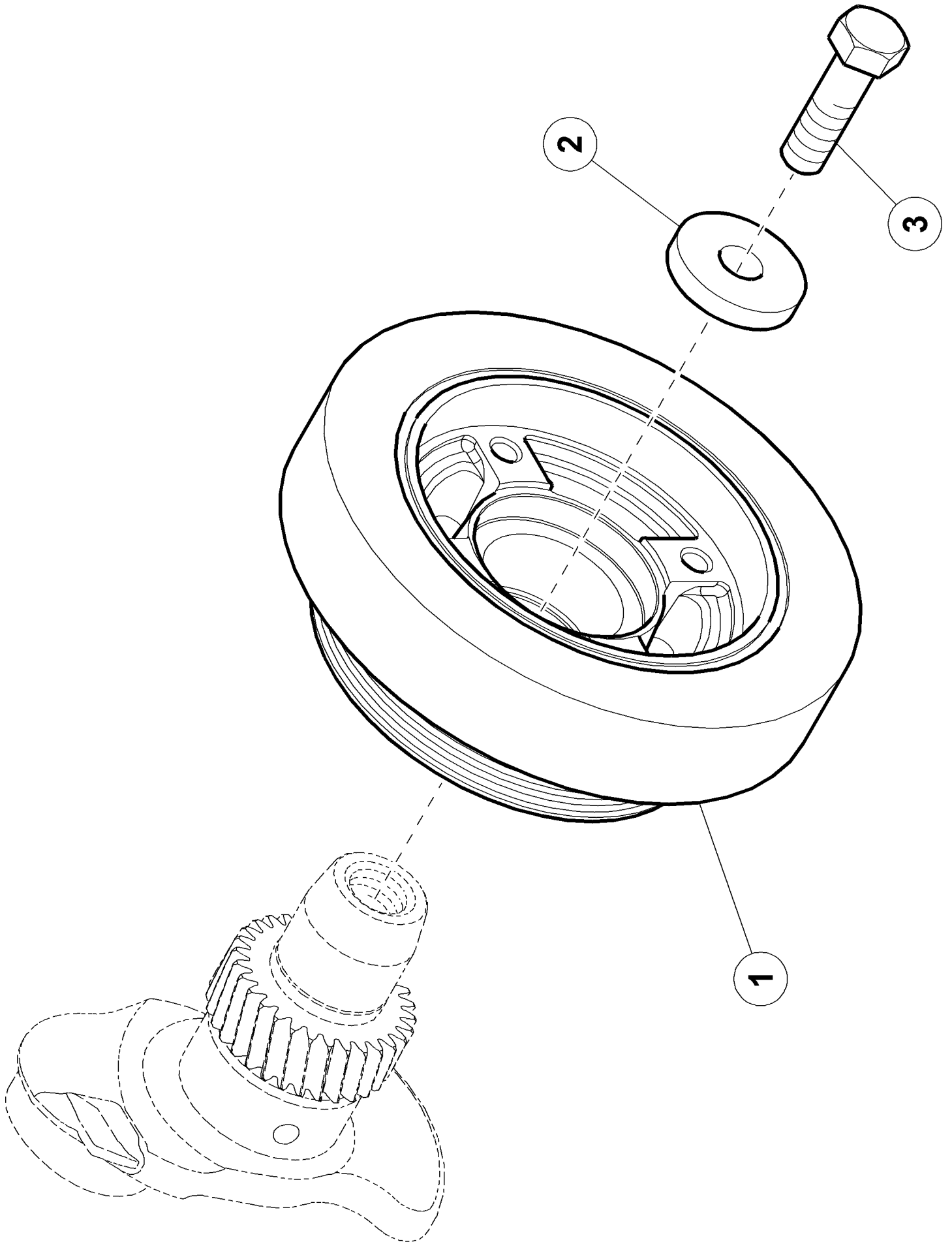
120 CONNECTING ROD, CONNECTING ROD BEARINGS

Pos.	Part No.	Description	Dimension	Quantity	Conditions
1	60 0502 453 6	CONNECTING ROD		6	
2	60 0502 453 7	SCREW	M12X1,25X61	12	
3	60 0502 147 6	RING		6	
4	60 0501 281 4	INNER CIRCLIP		12	
5	00 1132 482 0	AXLE		6	
6	60 0502 147 8	BEARING		6	
6	60 0502 147 9	BEARING		6	1)
1)	Remarks		-0.254MM		



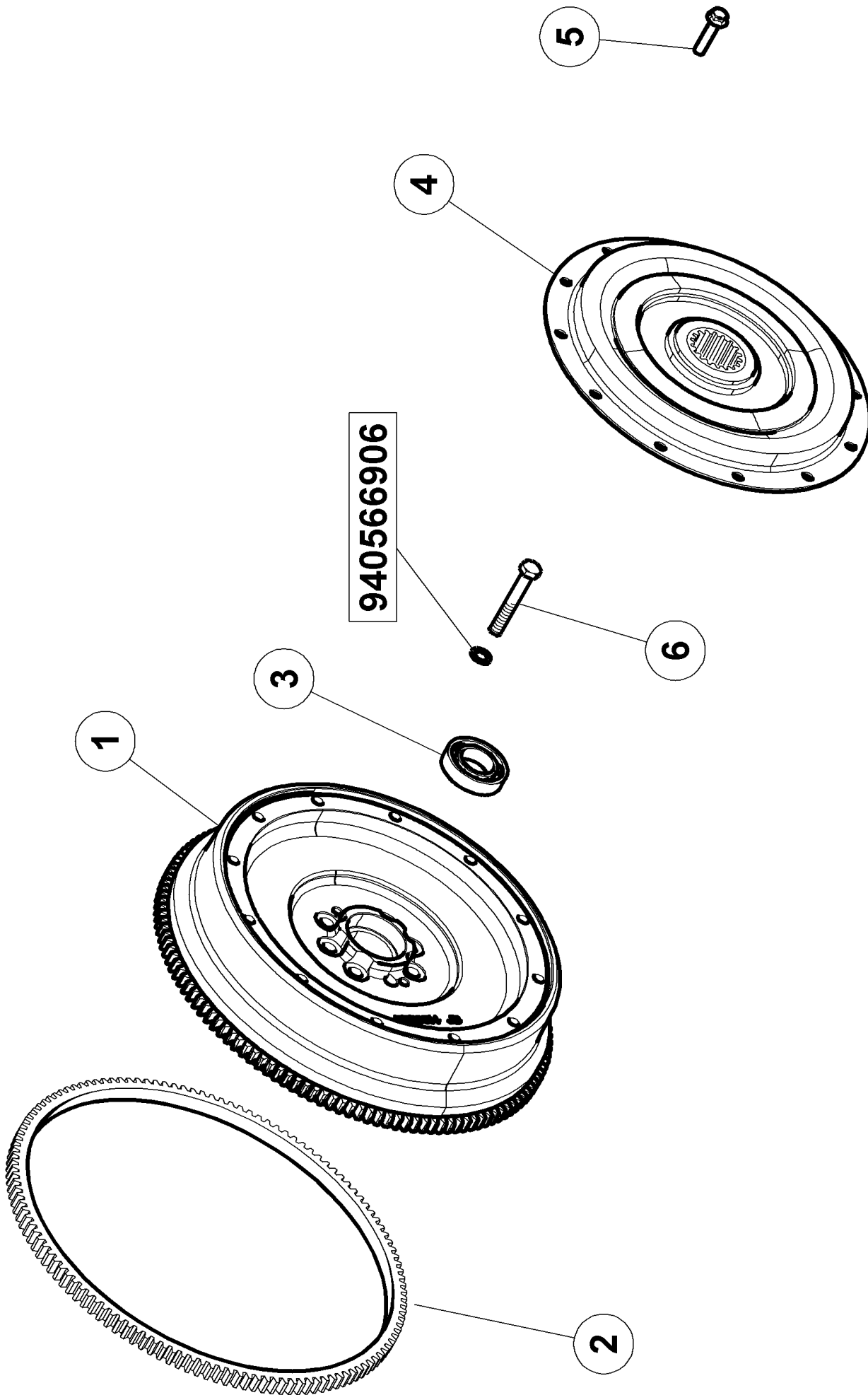
140 CRANKSHAFT

Pos.	Part No.	Description	Dimension	Quantity	Conditions
1	60 0502 869 6	CRANKSHAFT		1	
2	60 0501 317 4	LOCATING PIN		1	
3	60 0501 279 0	SHAFT SEAL	118X146X15	1	
4	60 0502 148 1	BEARING		1	
4	60 0502 148 2	BEARING		1	1)
5	60 0502 148 3	BEARING		6	
5	60 0502 148 4	BEARING		6	1)
6	60 0503 024 7	SEALING RING		1	
7	60 0502 869 7	V-SHAPED ELEMENT		1	
1)	Remarks				-0.254MM



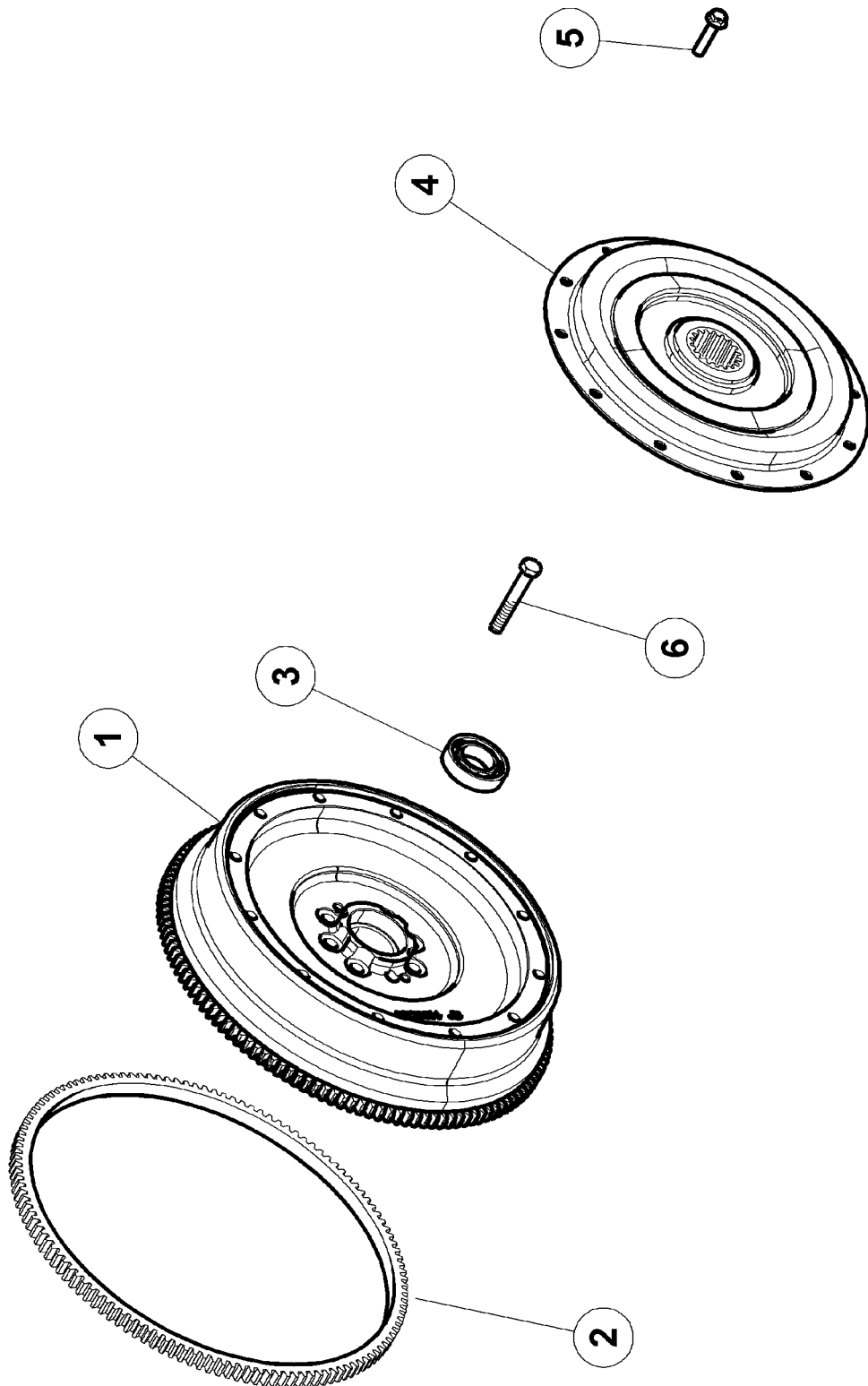
160 CRANKSHAFT PULLEY WHEEL

Pos.	Part No.	Description	Dimension	Quantity	Conditions
1	00 1137 796 0	V-BELT PULLEY		1	
2	60 0503 045 1	BRACE		1	
3	60 0502 866 8	SCREW	M20X70	1	



220 FLYWHEEL 1)

Pos.	Part No.	Description	Dimension	Quantity	Conditions
1	77 0007 440 5	FLYWHEEL		1	
2	77 0004 531 5	TOOTHED RIM		1	
3	07 7062 062 3	BEARING-1 BALL		1	
4	77 0005 791 8	HUB		1	
5	77 0005 997 8	HEXAGON HEAD BOLT	M10X40	12	
6	00 1135 310 0	SCREW	M12X80	6	
94056	FA-0000000N			6	
6906	FP				
1)	Equipment				
		TJ_064_0000	HEXASHIFT		
		TJ_064_0001	HEXASHIFT gearbox		
		TJ_101_0002	HEXACTIV automatic gearbox		
			24/24 4 range 6 powershift transmission		




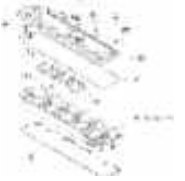




220 FLYWHEEL 1)

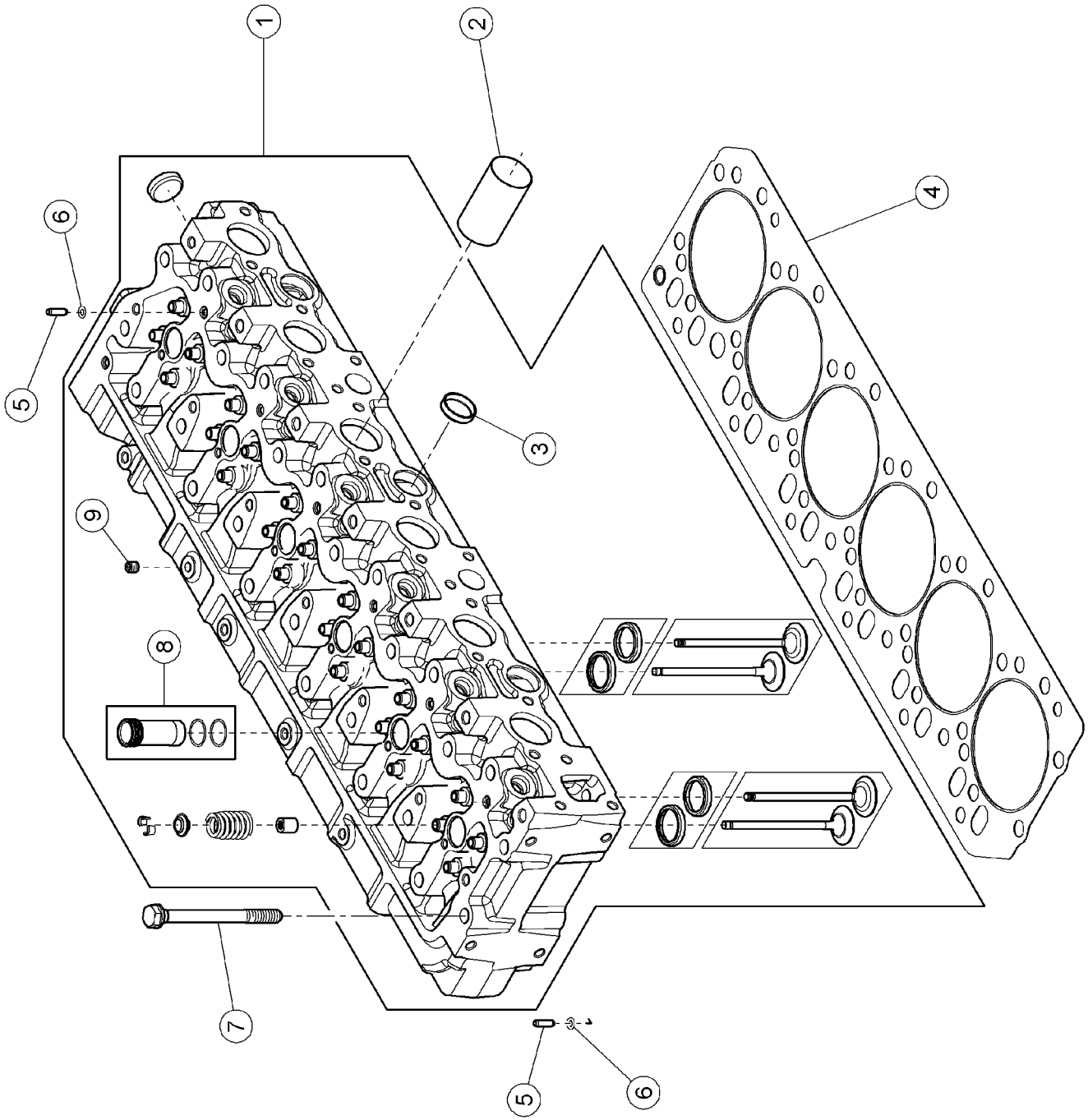
Pos.	Part No.	Description	Dimension	Quantity	Conditions
1	77 0007 440 5	FLYWHEEL		1	
2	77 0004 531 5	TOOTHED RIM		1	
3	07 7062 062 3	BEARING-1 BALL		1	
4	77 0005 791 8	HUB		1	2)
4	77 0006 562 0	HUB		1	
5	77 0005 997 8	HEXAGON HEAD BOLT	M10X40	8	
6	00 1135 310 0	SCREW	M12X80	6	

1) EquipmentTJ_064_0002
TJ_101_0006Management of the CVT transmission
CVT transmission**2) Remarks**

=> SI 11680

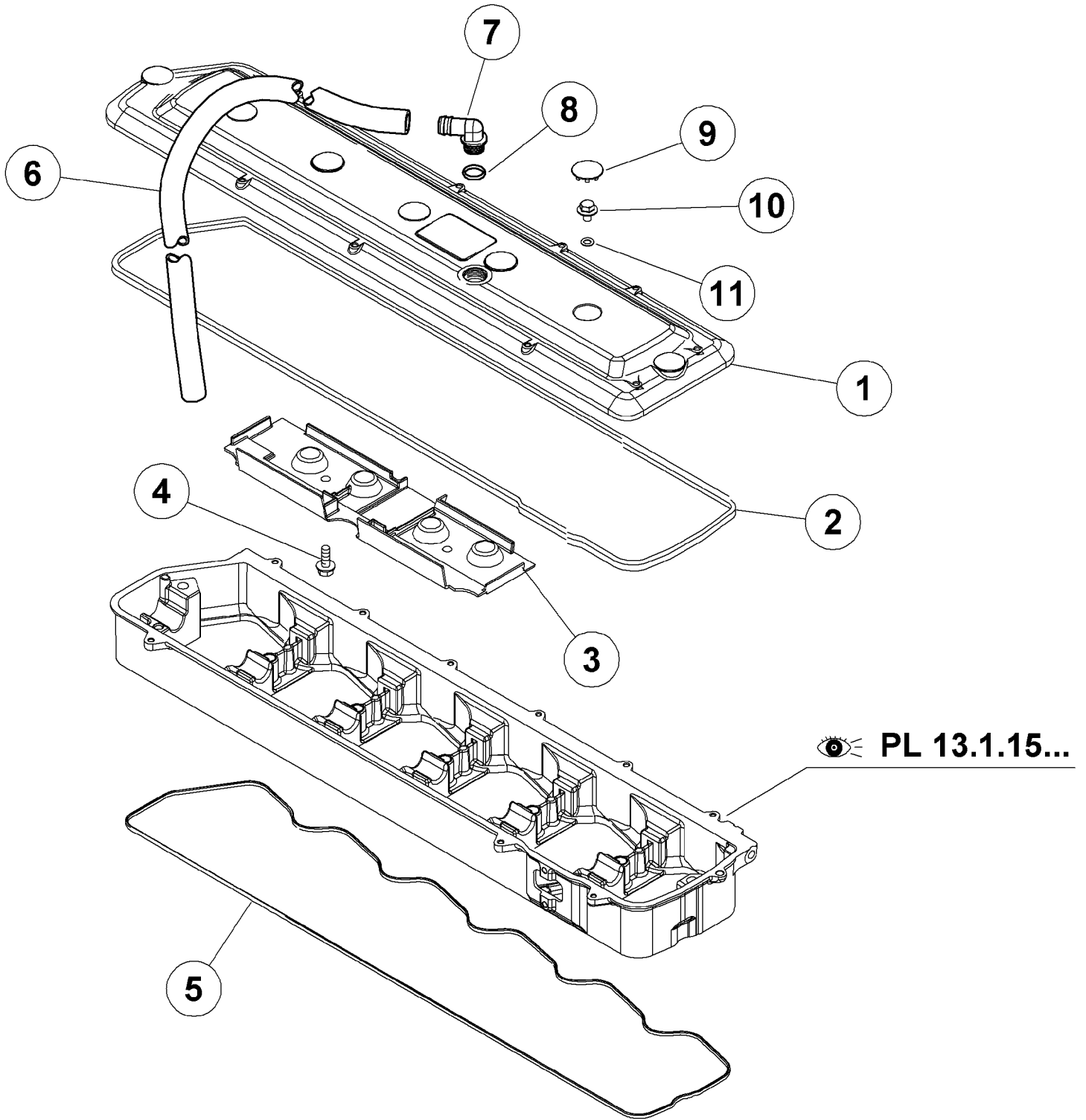
20 CYLINDER HEAD / VALVES / IDLER GEAR

Picture	Description	Drawing number	BGZ	Conditions
	100 CYLINDER HEAD	13105A	0120100	
	120 CYLINDER HEAD COVER	13107A	0120120	
	140 VALVES	13110A	0120140	
	160 ROCKER ARM	13115A	0120160	
	180 CAMSHAFT, CAMSHAFT BEARING BUSHES	13120A	0120180	
	200 IDLER GEAR	13125A	0120200	



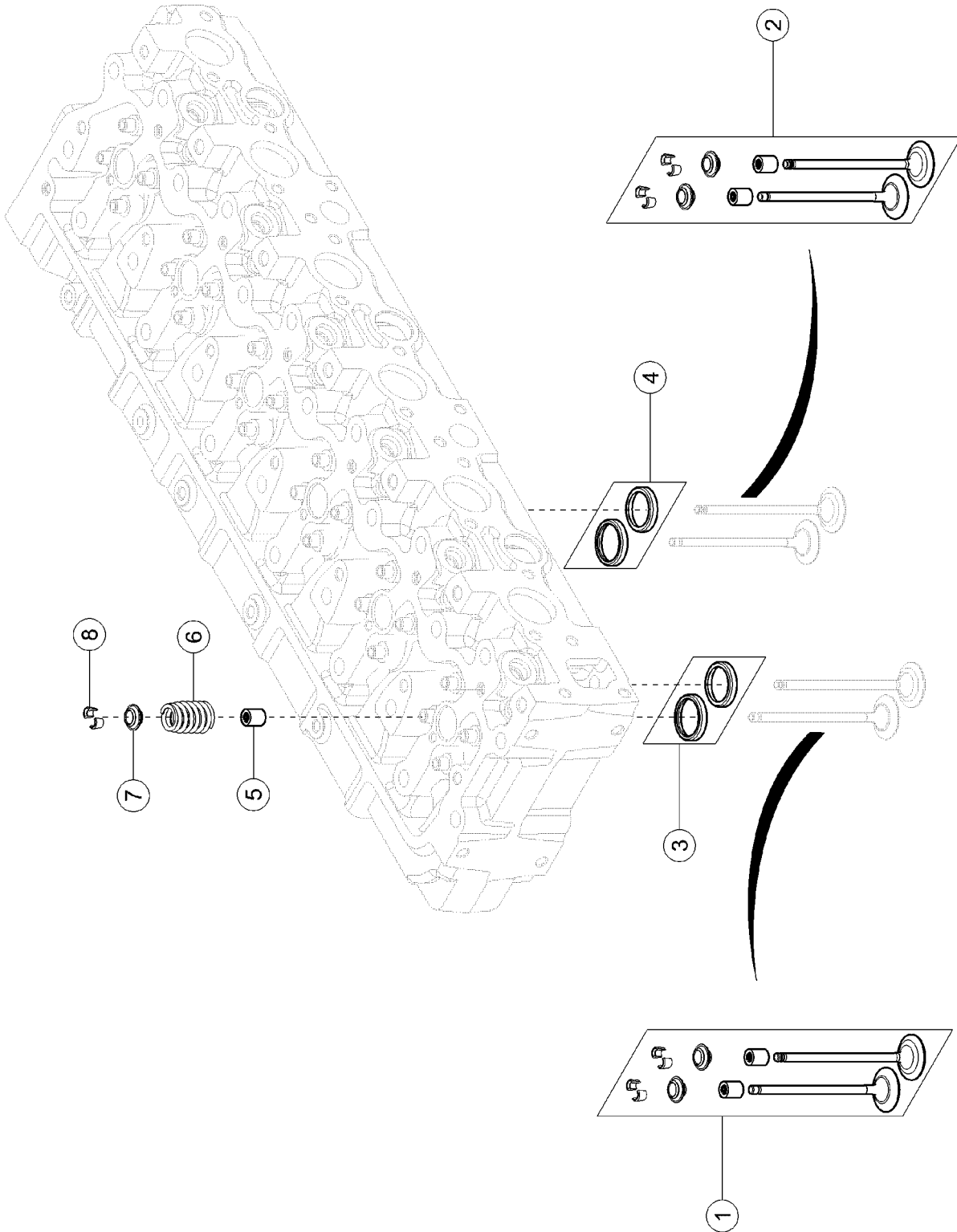
100 CYLINDER HEAD

Pos.	Part No.	Description	Dimension	Quantity	Conditions
1	00 1164 535 0	CYLINDER HEAD		1	
2	00 1132 502 0	CLADDING	75MM	6	
3	60 0501 288 3	LOCK		4	
4	00 1146 047 1	CYLINDER HEAD GASKET	94*32*3	1	
5	00 1132 503 0	PIN		2	
6	00 1145 929 0	O-RING		7	
7	00 1145 541 0	SCREW	1/2-13UNC-2AX5 1/3	26	
8	00 1132 505 0	LINER		6	
9	60 0502 144 0	LOCK		1	



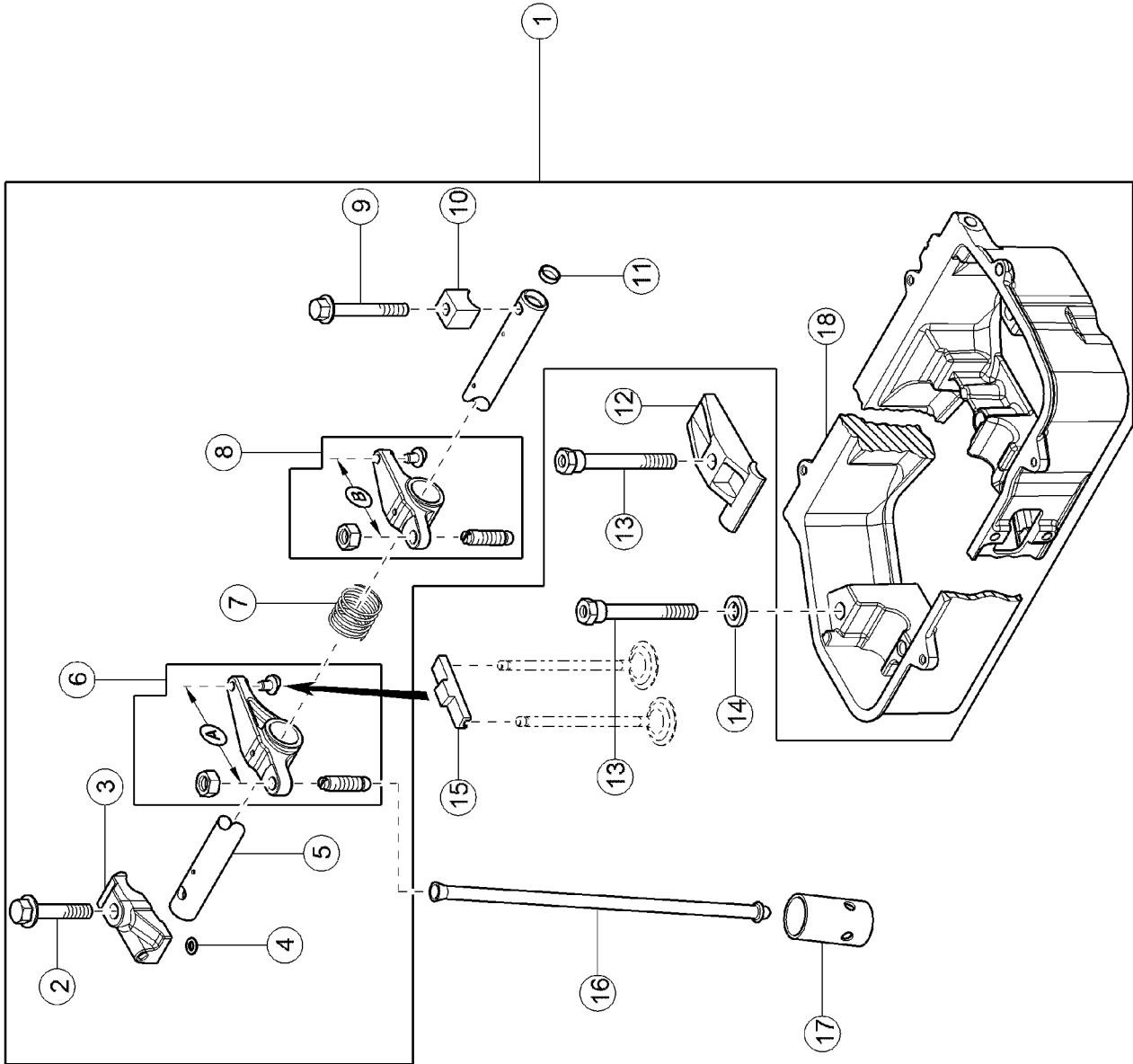
120 CYLINDER HEAD COVER

Pos.	Part No.	Description	Dimension	Quantity	Conditions
1	00 1133 936 0	VALVE COVER		1	
2	00 1137 973 0	SEALING RING		1	
3	00 1132 508 0	DEFLECTOR		1	
4	60 0502 144 8	SCREW	M6X16	2	
5	00 1131 838 0	SEALING RING		1	
6	60 0503 048 0	HOSE		1	
7	00 1133 935 0	ELBOW		1	
8	60 0502 160 4	O-RING	19X2,4	1	
9	60 0502 134 4	LOCK		7	
10	60 0502 594 5	SCREW		7	
11	60 0502 134 7	O-RING	W.ERS. D. 0219 147.0	7	



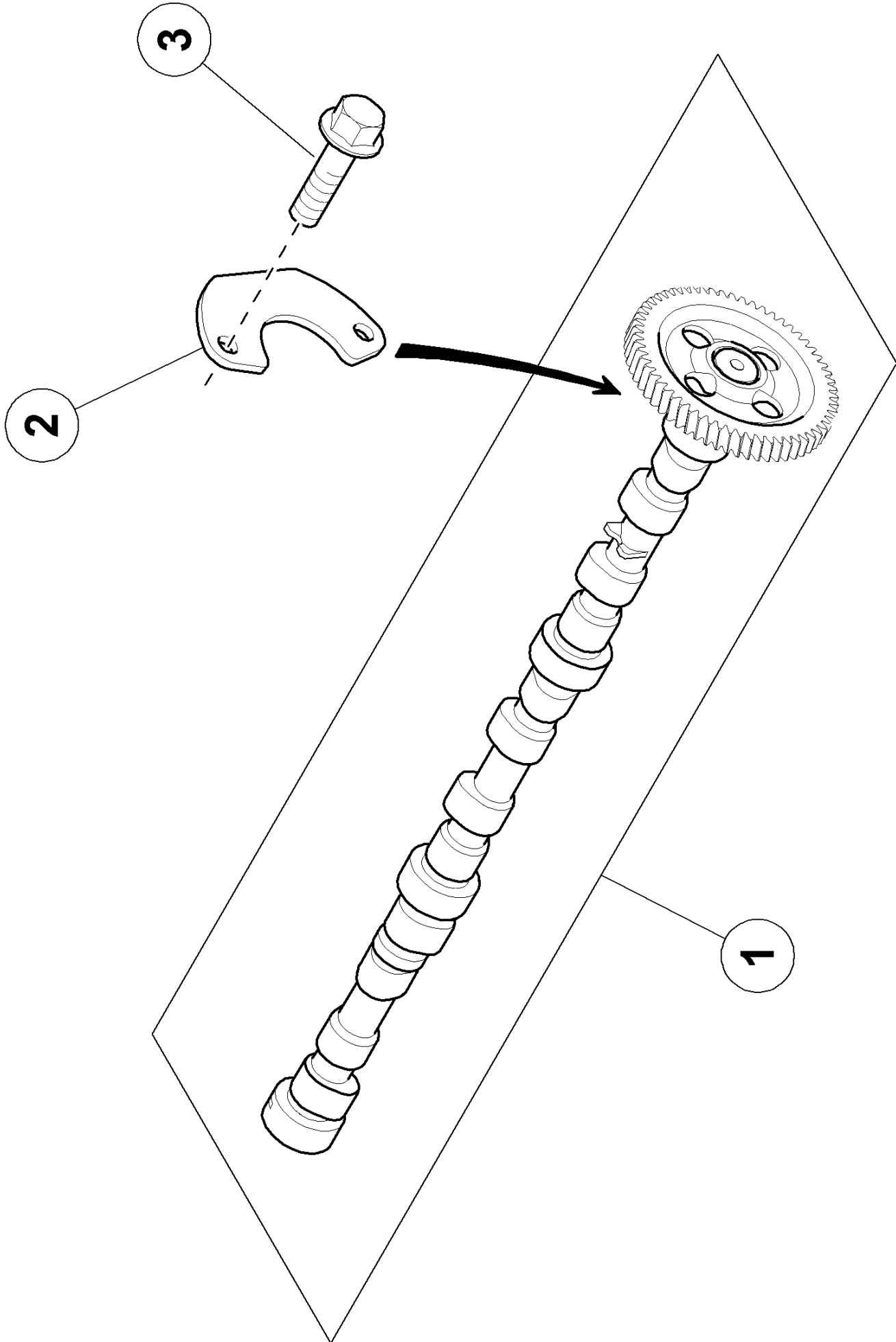
140 VALVES

Pos.	Part No.	Description	Dimension	Quantity	Conditions
1	00 1148 701 0	VALVE		6	1)
2	00 1148 700 0	VALVE		6	2)
3	00 1132 513 0	VALVE SEAT		6	1)
4	00 1132 514 0	VALVE SEAT		6	2)
5	00 1132 515 0	RING		24	
6	00 1132 517 0	SPRING		24	
7	00 1132 518 0	WASHER		24	
8	00 1132 520 0	HALF-CONE		48	
<hr/>					
1)	Remarks		Echapt		
<hr/>					
2)	Remarks		Adm.		
<hr/>					



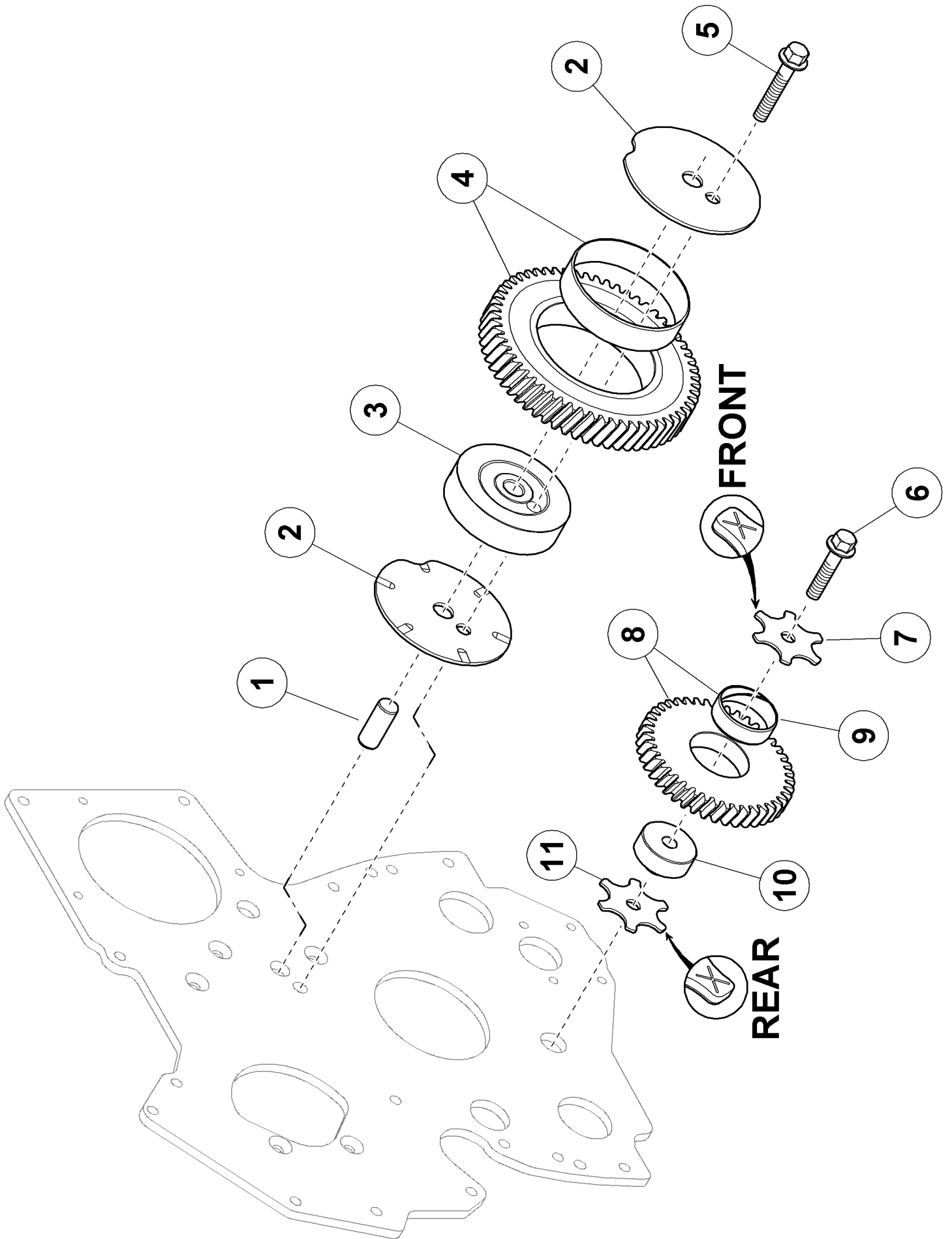
160 ROCKER ARM

Pos.	Part No.	Description	Dimension	Quantity	Conditions
1	00 1137 651 0	HOUSING		1	
2	60 0502 152 1	SCREW		1	
3	00 1132 524 0	FLANGE		1	
4	00 1145 929 0	O-RING		1	
5	00 1132 526 0	DRIVE SHAFT		1	
6	00 1132 528 0	TILT LEVER		6	
7	00 1132 530 0	SPRING		6	
8	00 1132 531 0	TILT LEVER		6	
9	60 0502 593 6	SCREW	M8X50	1	
10	00 1132 533 0	FLANGE		1	
11	00 1132 534 0	PLUG		2	
12	00 1132 535 0	FLANGE		5	
13	00 1132 536 0	SCREW		7	
14	60 0501 278 2	WASHER		2	
15	00 1132 537 0	SWING LEVER		12	
16	00 1132 538 0	ROD		12	
17	60 0502 150 7	PLUNGER		12	
18	00 1170 842 0	BOX		1	



180 CAMSHAFT, CAMSHAFT BEARING BUSHES

Pos.	Part No.	Description	Dimension	Quantity	Conditions
1	00 1132 540 0	CAM SHAFT		1	
2	60 0502 151 1	PLATE		1	
3	60 0502 145 6	SCREW	M8X25	2	



This as a preview PDF file from best-manuals.com



Download full PDF manual at best-manuals.com