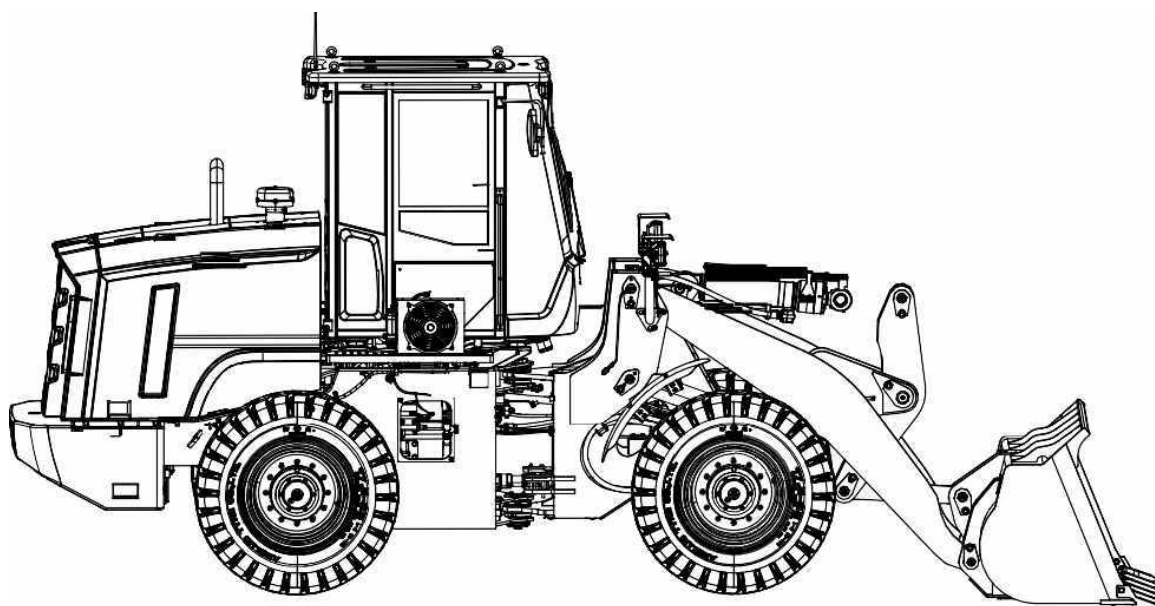


QUALITY CHANGES THE WORLD



Wheel Loader

SW936



Parts Book

Table of Contents

Group 1 Wheel Loader Body	1-1
SSW100000022 Wheel Loader Body.....	1-2
Group 2 Frame syetem	2-1
SSW006282755 Frame syetem	2-2
SSW006211454 Articulated system.....	2-4
14123117 Upper hinged seat.....	2-6
SSW006211374 Lower hinge	2-8
SSW006211926 Lubrication system.....	2-10
Group 3 work device	3-1
SSW006277050 work device.....	3-2
SSW006269948 Bucket.....	3-6
Group 4 Transmission system	4-1
SSW006132155 Transmission system.....	4-2
131401020782A Front axle.....	4-10
131401020782A036 Wheel assembly.....	4-12
131401020782A050 Gear spider assembly	4-14
131401020782A039 Main reducing gear assembly	4-16
131401020782A009 Differential case assembly.....	4-18
131401020782A042 Disc brake assembly	4-20
130201000179A Gearbox	4-22
130201000160B001 First axle assembly	4-24
130201000179A005 Power take-off components	4-26
130201000179A004 Take off and oil pump components.....	4-28
130201000160B054 Three axle assembly	4-30
130201000160B055 Four axle assembly	4-32
130201000160B056 Gear box housing.....	4-34
130201000179A002 Isolation frame components	4-36
130201000179A003 Oil pan assembly	4-38
130201000160B057 Two shaft assembly	4-40
130201000160B093 Large overrunning clutch assembly	4-42
130201000160B007 Reverse planetary carrier assembly	4-44
130201000160B015 First gear planetary carrier assembly	4-46
SSW006213642 Filling pipe installation	4-48
SSW006840761 Back oil tube assembly	4-50
131401020783A Rear axle.....	4-52
131401020782A036 Wheel assembly.....	4-54
131401020782A050 Gear spider assembly	4-56

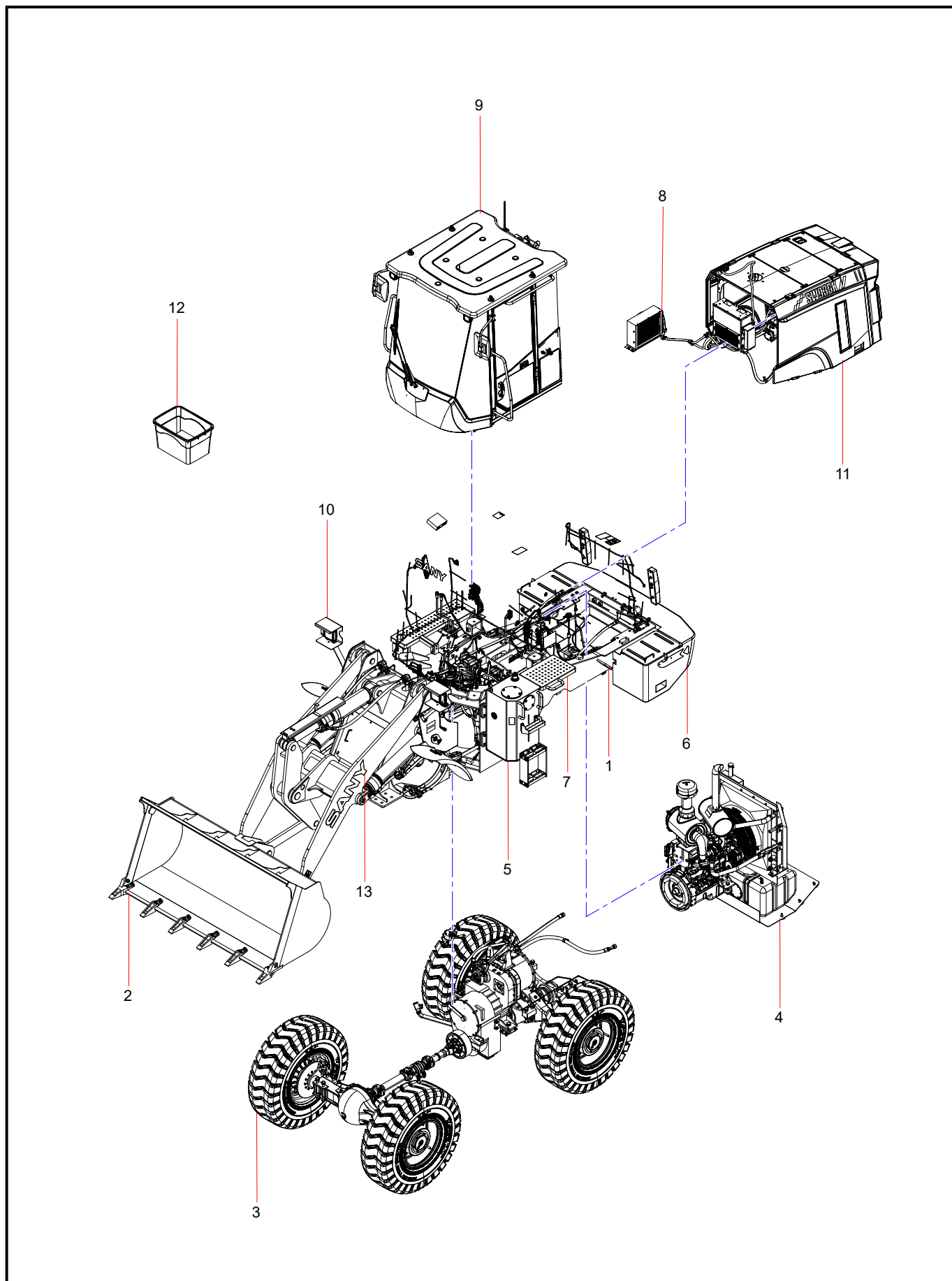
131401020783A008 Main reducing gear assembly	4-58
131401020782A009 Differential case assembly	4-60
131401020782A042 Disc brake assembly	4-62
131401020783A011 Rear swing rack assembly	4-64
131401020783A012 Front swing rack assembly	4-66
Group 5 POWER TRAIN	5-1
SSW006180154 POWER TRAIN	5-2
SSW006174004 ENGNE ASS'Y	5-4
SSW006180055 Cooling ass'y	5-6
SSW006179418 FUEL SYSTEM	5-8
Group 6 Hydraulic system	6-1
SSW006200739 Hydraulic system	6-2
SSW006182881 Main valve pipeline	6-4
14136219 cylinder	6-16
14136382 Bucket cylinder assembly	6-18
SSW006150939 Steering pipeline	6-20
14135698 Bucket Oil Cylinder	6-24
SSW006200531 Hydraulic heat dissipation pipeline	6-26
SSW006137007 Hydraulic oil tank.....	6-30
SSW006187615 Main pump pipeline	6-32
SSW006145737 Brake pipeline.....	6-36
SSW006198550 Brake pump pipeline.....	6-42
Group 7 counterweight	7-1
SSW006138088 counterweight	7-2
Group 8 platform and dashboard	8-1
SSW006130333 platform and dashboard	8-2
SSW006130326 platform assembly	8-4
SSW006130317 Left platform assembly	8-6
SSW006130325 Right platform assembly	8-8
SSW006130323 dashboard assembly	8-10
Group 9 AC system	9-1
SSW007528545 AC system.....	9-2
Group 10 Cab installation assembly	10-1
SSW006166315 Cab installation assembly	10-2
Group 11 Electrical System	11-1
SSW006156107 Electrical System	11-2
SSW006119102 Front frame harness assembly	11-4
SSW006130584 Rear frame	11-6

SSW006123188 Rear hood assembly	11-10
SSW006143046 Cab harness assembly	11-12
Group 12 Hood assembly	12-1
SSW006173318 Hood assembly	12-2
Group 13 Attached accessories.....	13-1
SSW006283578 Attached accessories	13-2
10442741 Attachment Tool.....	13-4
Group 14 Coating	14-1
SSW006284155 Coating	14-2

BLANK PAGE

Group 1

Wheel Loader Body

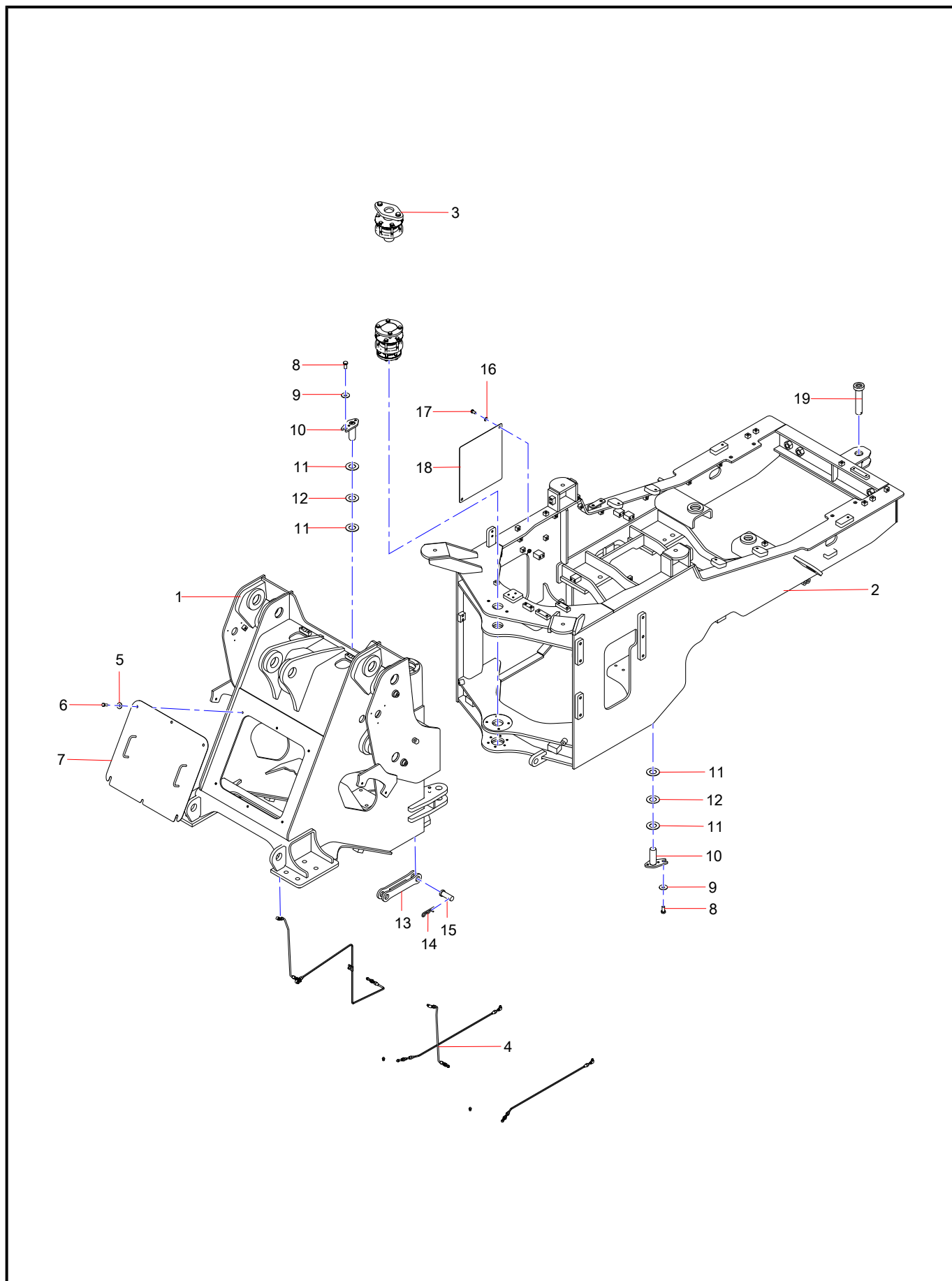


INDEX	PART NO.	DESCRIPTION	QTY	SEE PAGE
1	SSW006282755	Frame syetem	1	2-2
2	SSW006277050	work device	1	3-2
3	SSW006132155	Transmission system	1	4-2
4	SSW006180154	POWER TRAIN	1	5-2
5	SSW006200739	Hydraulic system	1	6-2
6	SSW006138088	counterweight	1	7-2
7	SSW006130333	platform and dashboard	1	8-2
8	SSW007528545	AC system	1	9-2
9	SSW006166315	Cab installation assembly	1	10-2
10	SSW006156107	Electrical System	1	11-2
11	SSW006173318	Hood assembly	1	12-2
12	SSW006283578	Attached accessories	1	13-2
13	SSW006284155	Coating	1	14-2

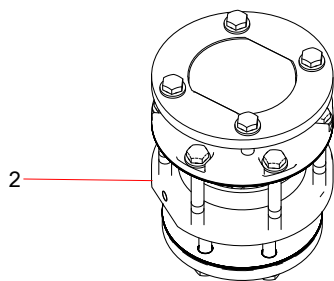
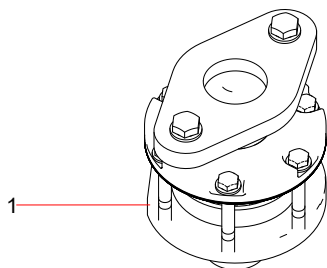
BLANK PAGE

Group 2

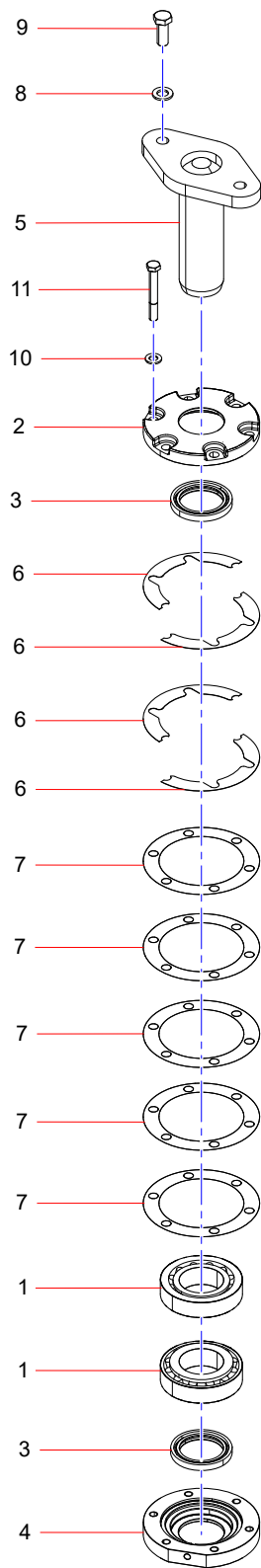
Frame syetem



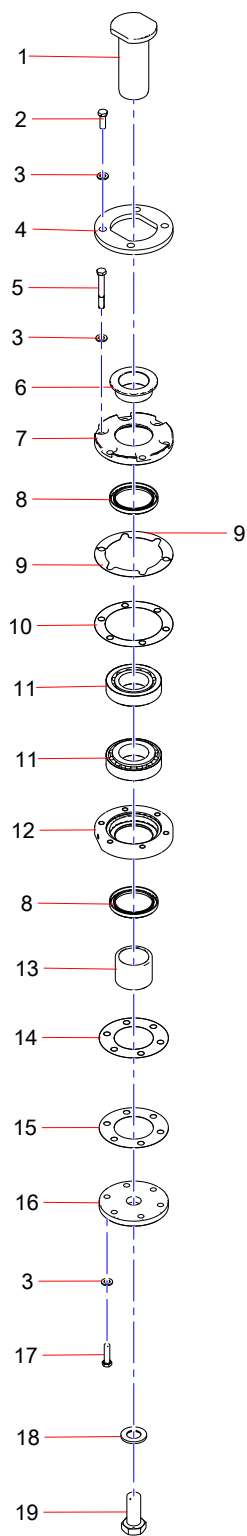
INDEX	PART NO.	DESCRIPTION	QTY	SEE PAGE
1	SSW006218216	Front	1	
2	SSW006278524	rear frame frame body	1	
3	SSW006211454	Articulated system	1	2-4
4	SSW006211926	Lubrication system	1	2-10
5	60060548	Washer	6	
6	A210111000039	Bolt	6	
7	14172052	Front carriage cover plate	1	
8	A210111000212	Bolt	4	
9	A210404000008	Washer	4	
10	SSW006210130	pin	4	
11	14180329	Trimmed Gasket	8	
12	14154781	adjusting spacer	4	
13	13042668	Bumper	1	
14	13042603	Pin	2	
15	13042602	Pin Mandrel	2	
16	A210405000001	Washer	2	
17	A210111000101	Bolt	2	
18	SSW006218601	Repair window panel	1	
19	14181504	traction pin	1	



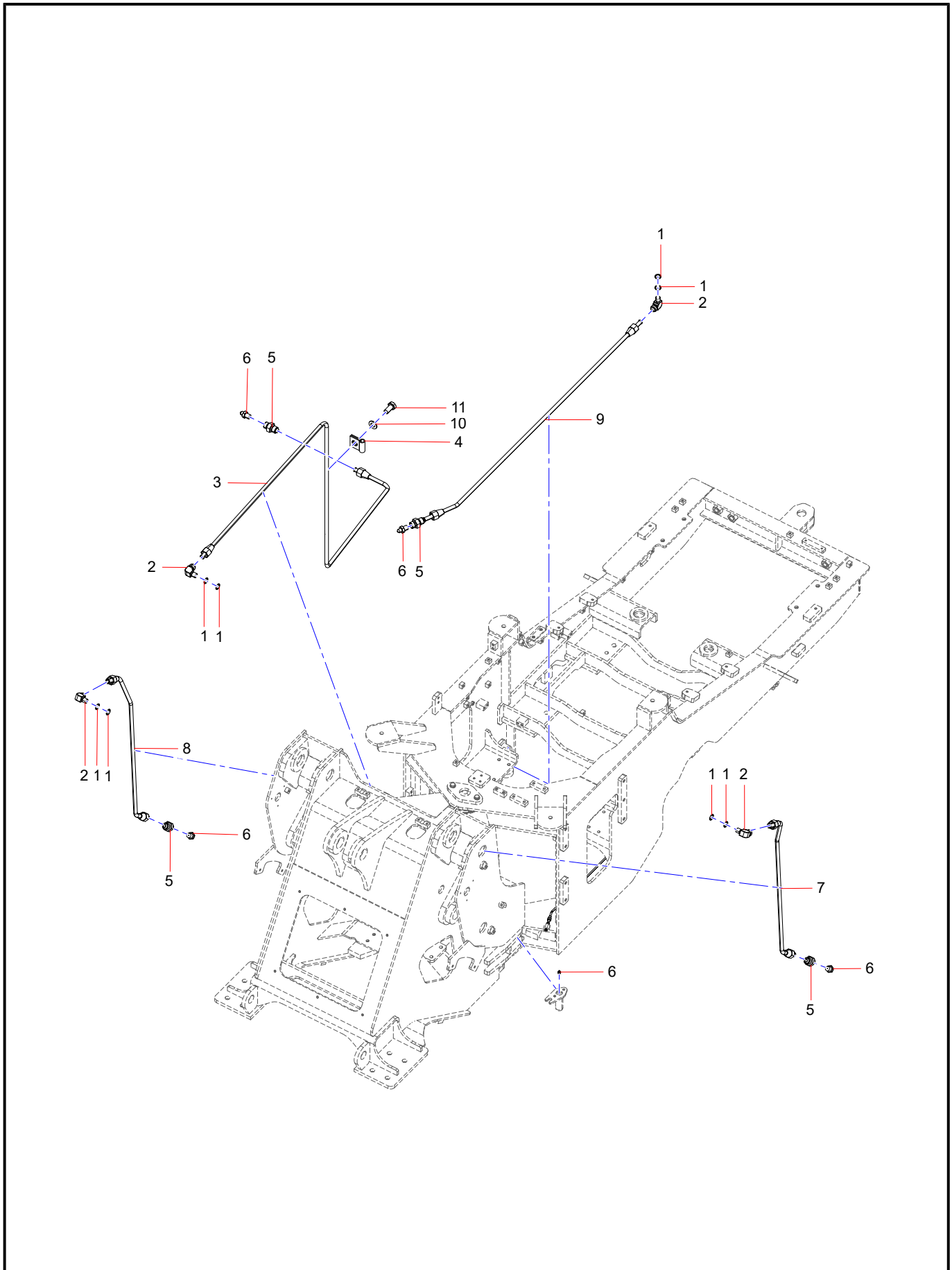
INDEX	PART NO.	DESCRIPTION	QTY	SEE PAGE
1	14123117	Upper hinged seat	1	2-6
2	SSW006211374	Lower hinge	1	2-8



INDEX	PART NO.	DESCRIPTION	QTY	SEE PAGE
1	29006023	Rolling bearing	2	
2	14123115	upper bearing seat	1	
3	60332779	Framework Oil Seal	2	
4	14123116	lower bearing seat	1	
5	14123120	pin	1	
6	14123128	adjusting spacer	4	
7	14123129	adjusting spacer	5	
8	24000642	Washer	2	
9	A210111000053	Bolt	2	
10	24000639	Washer	6	
11	A210110000323	Bolt	6	



INDEX	PART NO.	DESCRIPTION	QTY	SEE PAGE
1	SSW006210828	Lock pin	1	
2	A210111000203	Bolt	4	
3	24000639	Washer	16	
4	SSW006210829	Stop plate	1	
5	A210110000323	Bolt	6	
6	14123124	taper sleeve	1	
7	14123121	upper bearing seat	1	
8	24907380	oil seal	2	
9	14123128	adjusting spacer	4	
10	14123129	adjusting spacer	4	
11	29006023	Rolling bearing	2	
12	14123123	lower bearing seat	1	
13	14123125	bush	1	
14	14123122	adjusting spacer	5	
15	14123130	adjusting spacer	5	
16	SSW006210830	flange plate	1	
17	A210111000119	Bolt	6	
18	A210444000003	Washer	1	
19	A210111000114	Bolt	1	

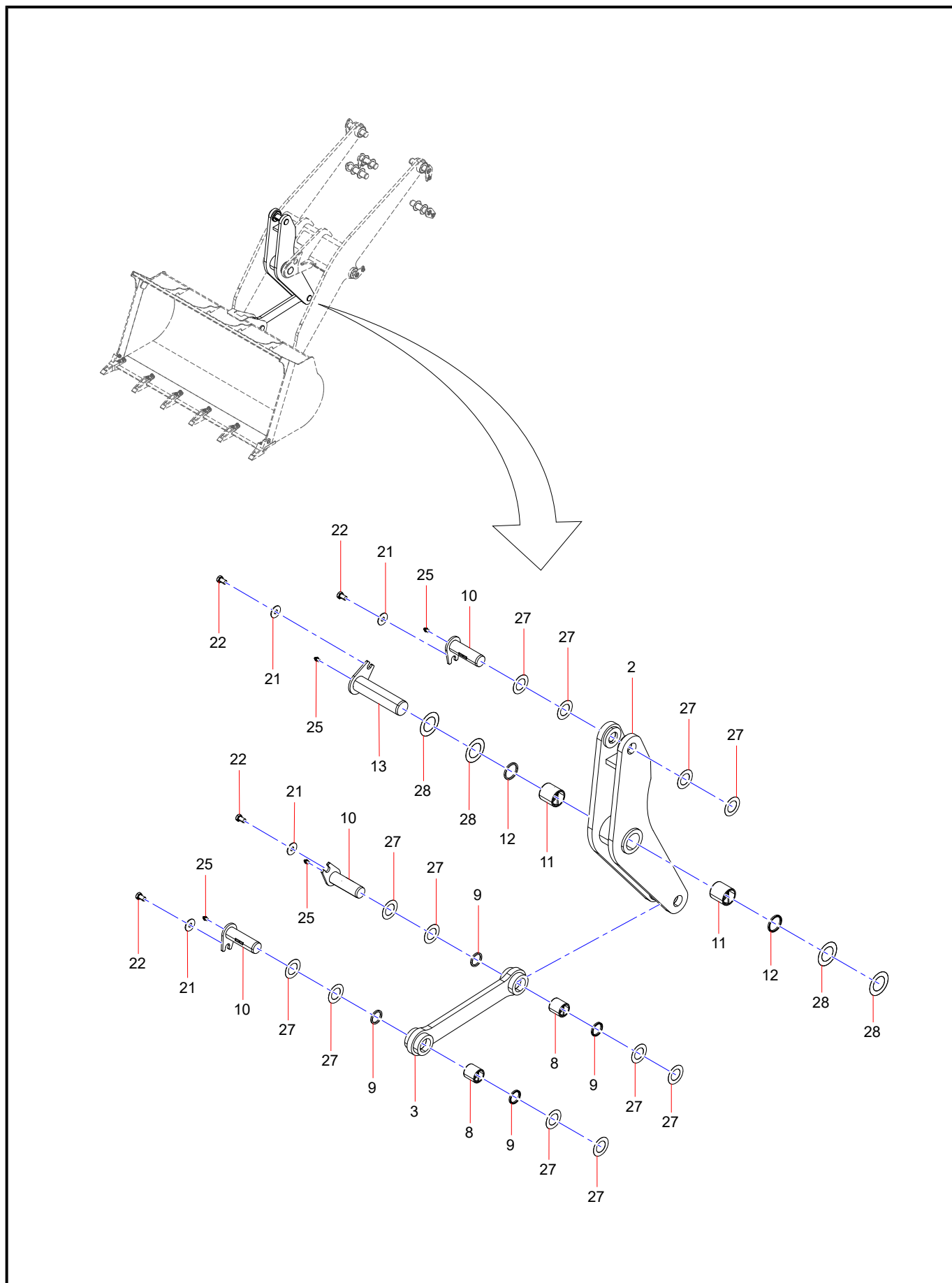


INDEX	PART NO.	DESCRIPTION	QTY	SEE PAGE
1	10668937	Washer	10	
2	12325478	Connection Fitting	5	
3	SSW006211506	lubricating pipeline	1	
4	A820101211947	Clip	1	
5	11102368	Fitting	5	
6	B229900000686	Oil Cup	7	
7	14153173	Left derrick oil cylinder pipeline	1	
8	14153477	Right derrick oil cylinder pipeline	1	
9	SSW006211541	Right lubricating pipeline	2	
10	24000637	Washer	1	
11	A210111000012	Bolt	1	

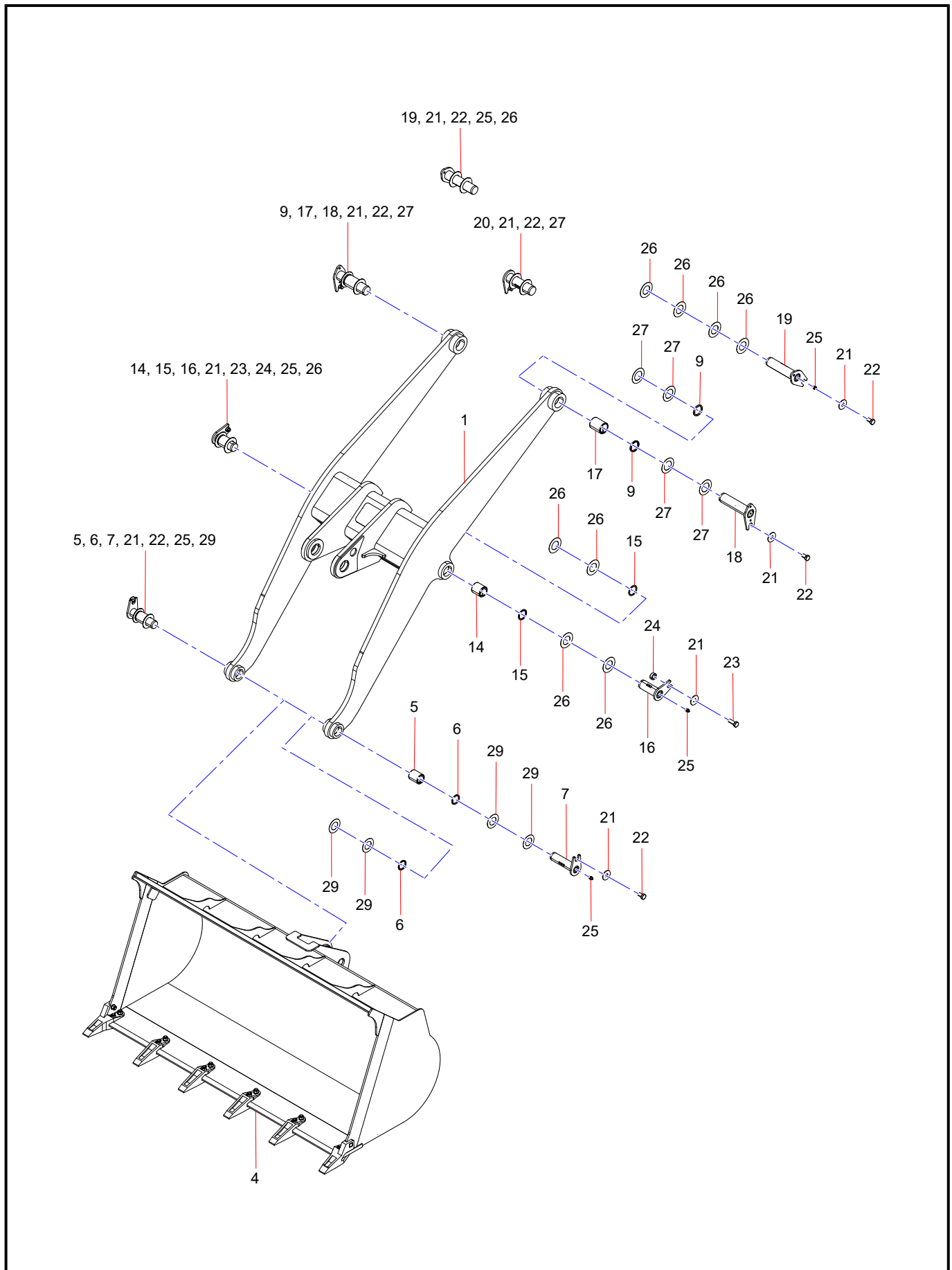
BLANK PAGE

Group 3

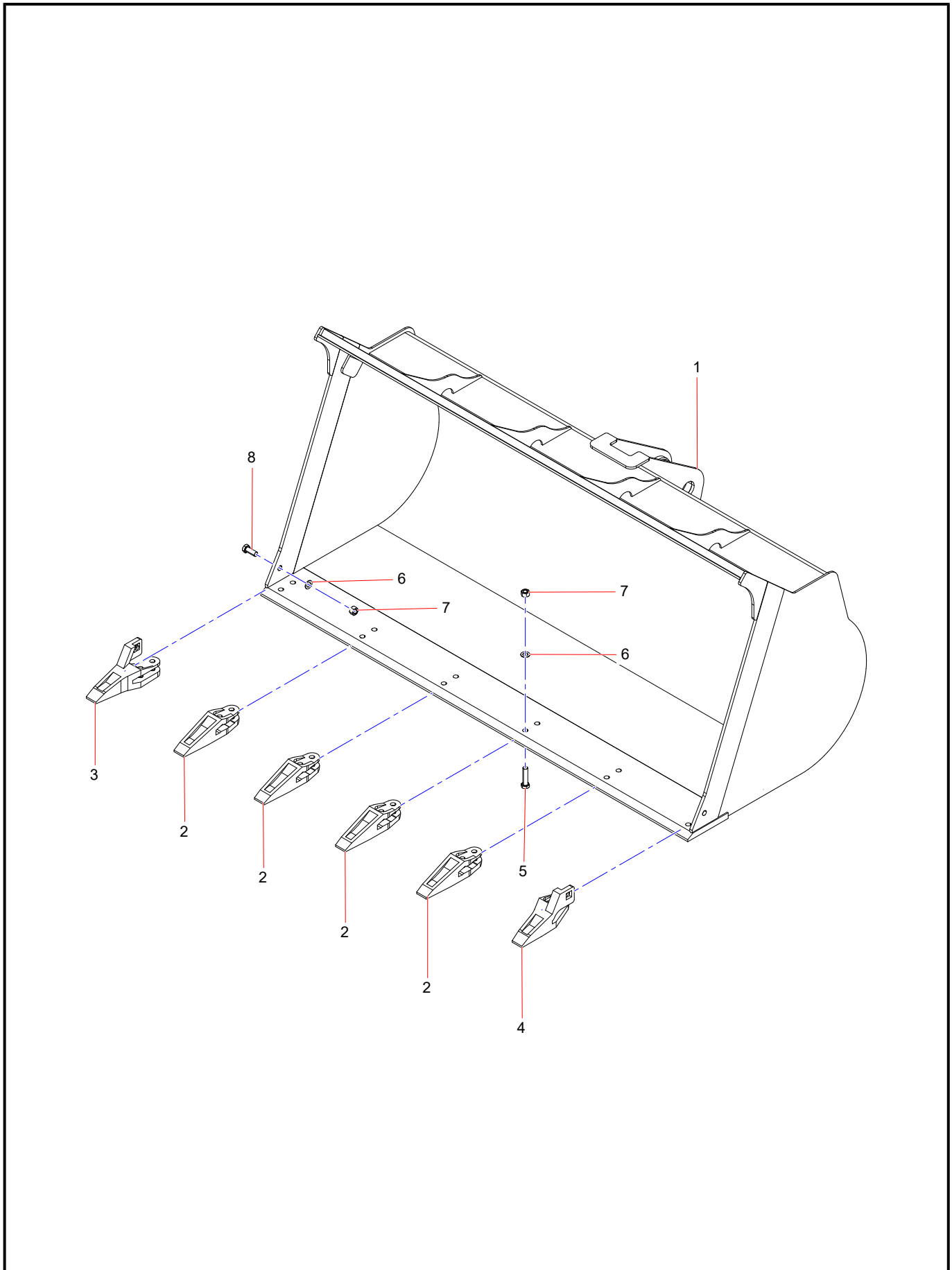
work device



INDEX	PART NO.	DESCRIPTION	QTY	SEE PAGE
2	SSW006268779	Pitman arm	1	
3	SSW006268999	Connecting rod	1	
8	14138263	Shaft sleeve	2	
9	B230101000622	Dust Ring	8	
10	14136102	PIN	3	
11	14138262	Shaft sleeve	2	
12	60055872	O-ring	2	
13	14136106	PIN	1	
21	60060553	Washer	13	
22	A210111000366	Bolt	11	
25	B229900000686	Oil Cup	10	
27	14141067	adjusting spacer	24	
28	14141068	adjusting spacer	4	



INDEX	PART NO.	DESCRIPTION	QTY	SEE PAGE
1	SSW006269325	dynamic arm	1	
4	SSW006269948	Bucket	1	3-6
5	14138261	Shaft sleeve	2	
6	B230101001118	Dust Ring	4	
7	14136259	PIN	2	
9	B230101000622	Dust Ring	8	
14	14138260	Shaft sleeve	2	
15	60215140	dust ring	4	
16	14136112	PIN	2	
17	14138259	Shaft sleeve	2	
18	14135964	PIN	2	
19	14135770	PIN	2	
20	14136232	PIN	1	
21	60060553	Washer	13	
22	A210111000366	Bolt	11	
23	A210111000053	Bolt	2	
24	13203266	Spacer	2	
25	B229900000686	Oil Cup	10	
26	14141066	adjusting spacer	16	
27	14141067	adjusting spacer	24	
29	14141069	adjusting spacer	8	



INDEX	PART NO.	DESCRIPTION	QTY	SEE PAGE
1	SSW006269008	Bucket body	1	
2	132799000377A	Mid tooth	4	
3	132799000378A	Right tooth	1	
4	132799000379A	Left tooth	1	
5	A210111000223	Hexagon Headed Bolt	12	
6	A210405000008	Washer	14	
7	A210307000005	Nut	14	
8	A210111000221	Bolt	2	

BLANK PAGE

Group 4

Transmission system

This as a preview PDF file from best-manuals.com



Download full PDF manual at best-manuals.com