

# 605C CRAWLER LOADER



**JOHN DEERE**

## PARTS CATALOG

605C CRAWLER LOADER

PC9549 (Jan-07) English

**Worldwide Construction and Forestry Division**

Worldwide Edition  
Litho In U.S.A (Revised)  
COPYRIGHT © 2007  
DEERE & COMPANY  
Moline, Illinois  
All rights reserved



## INTRODUCTION AND CUSTOMER INFORMATION

TX1005364A

-UN-24MAR06



*SIDE VIEW OF JOHN DEERE 605C CRAWLER LOADER  
(MANUFACTURED 2006- )  
TO THE CUSTOMER*

THE PART NUMBERS IN THIS PARTS CATALOG WERE CORRECT AT THE TIME YOUR CATALOG WAS PUBLISHED. IT IS OUR POLICY TO CONSTANTLY IMPROVE OUR MACHINES AND, THEREFORE, PART NUMBERS MAY CHANGE. WHEN ORDERING PARTS, VERIFY PART NUMBERS THROUGH YOUR DEALER.

*(SPECIFICATIONS AND DESIGN SUBJECT TO CHANGE WITHOUT NOTICE.)*

## SERIAL NUMBER LOCATIONS

EACH 605C CRAWLER HAS SEVEN SERIAL NUMBER PLATES:

A PRODUCT IDENTIFICATION NUMBER PLATE, AN ENGINE SERIAL NUMBER PLATE, A HYDRAULIC PUMP SERIAL NUMBER PLATE, A L.H. TRACK DRIVE MOTOR, A R.H. TRACK DRIVE MOTOR, A L.H. HYDROSTATIC PUMP, A R.H. HYDROSTATIC PUMP, AND A TCU SERIAL NUMBER PLATE.

- THE PRODUCT IDENTIFICATION PLATE IS LOCATED ON THE L.H. SIDE OF THE CRAWLER FRAME BELOW THE OPERATORS STATION
- THE ENGINE SERIAL NUMBER PLATE IS LOCATED ON THE R.H. SIDE OF THE CYLINDER BLOCK
- THE HYDRAULIC PUMP SERIAL NUMBER PLATE IS LOCATED NEAR THE FRONT OF THE HYDRAULIC PUMP.
- THE TRACK DRIVE MOTOR SERIAL NUMBER PLATE IS LOCATED ON THE END CAP OF THE DRIVE MOTOR.
- THE HYDROSTATIC PUMP SERIAL NUMBER PLATE IS LOCATED ON THE PUMP HOUSING.

IF PRODUCT IDENTIFICATION NUMBERS OR SERIAL NUMBERS ARE REQUIRED FOR WARRANTY CLAIMS OR CORRESPONDENCE PERTAINING TO THIS PRODUCT. IT IS EXTREMELY IMPORTANT THAT ALL CHARACTERS BE FURNISHED. THIS POINT CANNOT BE OVEREMPHASIZED.

## ORIENTATION REFERENCE

LEFT SIDE, RIGHT SIDE, FRONT AND REAR OF THE CRAWLER ARE VIEWED BY FACING IN THE DIRECTION OF THE CRAWLER FORWARD TRAVEL.

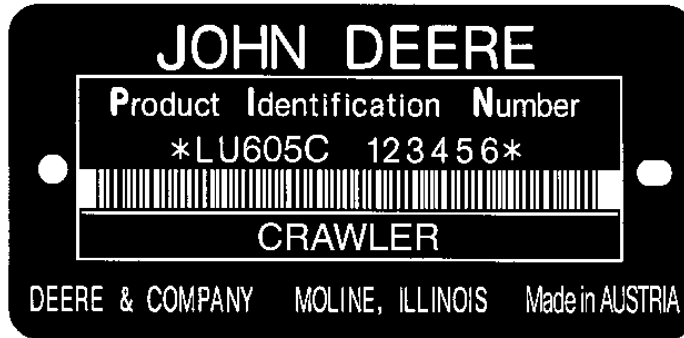
# 0001-3

605C CRAWLER LOADER

## PRODUCT IDENTIFICATION NUMBER

TX1001519

-UN-15DEC05



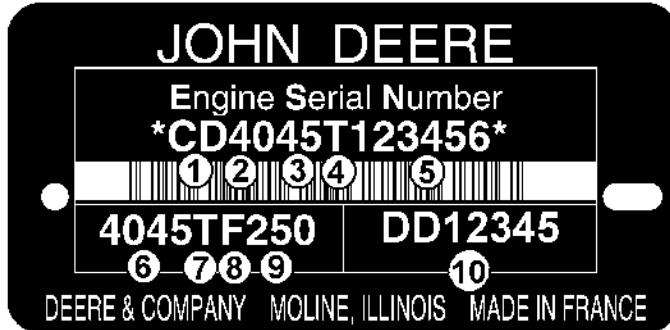
### TX1001519

1. DESIGNATES CRAWLER MANUFACTURER
2. DESIGNATES CRAWLER MODEL
3. DESIGNATES CRAWLER CONFIGURATION
4. DESIGNATES CRAWLER SERIAL NUMBER
5. DESIGNATES UNIT TYPE

LU - LIEBHERR  
605C  
X LOADER  
123456  
CRAWLER LOADER

## ENGINE SERIAL NUMBER PLATE

CDP46519B -UN-08JUN05



### ENGINE SERIAL NUMBER IS DEFINED BY 13 CHARACTERS

- 1- TWO LETTERS FOR ENGINE FACTORY DESIGNATION  
CD: SARAN-FRANCE, PE: TORREON-MEXICO, RG: WATERLOO-USA
- 2- ONE DIGIT FOR NUMBER OF CYLINDERS
- 3- THREE DIGITS FOR DISPLACEMENT IN LITERS (EG: 068 FOR 6.8L, 045 FOR 4.5L)
- 4- ONE LETTER TO DESIGNATE EMISSION LEVEL  
B: NON-CERTIFIED ENGINE  
C: TIER1/STAGE I EMISSION LEVEL  
G: TIER2/STAGE II EMISSION LEVEL  
L: TIER3/STAGE III EMISSION LEVEL
- 5- SIX DIGITS  
*! FOR THE SIX DIGITS OF THE ACTUAL ENGINE NUMBER (5) COUNTING STARTS WITH 000001*  
*! IN THE PARTS CATALOG PAGES, ONLY THESE SIX DIGITS ARE SHOWN*

### ENGINE TYPE IS DEFINED BY 9 ALPHA-NUMERICAL CHARACTERS

- 6- FOUR DIGITS WITH SAME DEFINITION AS SERIAL NUMBER
- 7- ONE LETTER FOR ASPIRATION TYPE (D, T, H OR A)
- 8- ONE OR TWO LETTERS FOR USER (EG: F= OEM, FM= MARINE)
- 9- TWO OR THREE DIGITS FOR VERSION (EG: 50 OR 270)
- 10- TWO LETTERS AND FIVE DIGITS FOR ENGINE NUMBER

### ENGINE APPLICATION CHART

CD4045TF278.....605C CRAWLER

## PLAQUETTE SIGNALÉTIQUE DU MOTEUR

CDP46519B

-UN-08JUN05



### LE NUMERO DE SERIE MOTEUR EST DEFINI PAR 13 CARACTERES

1- DEUX LETTRES POUR LA DESIGNATION DE L'USINE DE FABRICATION

CD: SARAN-FRANCE, PE: TORREON-MEXICO, RG: WATERLOO-USA

2- UN CHIFFRE POUR LE NOMBRE DE CYLINDRES

3- TROIS CHIFFRES POUR LA CYLINDREE (EX: 068 POUR 6.8L, 045 POUR 4.5L...)

4- UNE LETTRE POUR DEFINIR LE NIVEAU D'EMISSION

B: MOTEUR NON CERTIFIE

C: NIVEAU D'EMISSION TIER1/STAGE I

G: NIVEAU D'EMISSION TIER2/STAGE II

L: NIVEAU D'EMISSION TIER3/STAGE III

*! POUR LES SIX CHIFFRES CORRESPONDANT AU NUMERO DE SERIE MOTEUR (5),*

LE COMPTEUR DEBUTERA AVEC 000001

5- SIX CHIFFRES

*! SUR LES PAGES DU CATALOGUE, SEULS CES SIX CHIFFRES SONT IDENTIQUES*

### LE TYPE DE MOTEUR EST DEFINI PAR 9 CARACTERES

6- QUATRE CHIFFRES QUI CORRESPONDENT AUX QUATRE PREMIERS CHIFFRES DU NUMERO DE SERIE

7- **UNE LETTRE POUR LE TYPE D'ASPIRATION (D,T,H OU A)**

8- UNE OU DEUX LETTRE(S) POUR L'UTILISATEUR (EX : F= OEM, FM= MARINE)

9- DEUX OU TROIS CHIFFRES POUR LA VERSION (EX : 50 OU 270)

10- DEUX LETTRES ET CINQ CHIFFRES POUR LE NUMERO MOTEUR

### APPLICATION DES MOTEURS

CD4045TF278..... 605C CRAWLER

## PLACA DE NUMERO DE SERIE DEL MOTOR

CDP46519B -UN-08JUN05



### EL NUMERO DE SERIE DEL MOTOR SE DEFINE MEDIANTE 13 DIGITOS

- 1- DOS LETRAS PARA DESIGNAR EL FABRICANTE DEL MOTOR  
CD: SARAN-FRANCE, PE: TORREON-MEXICO, RG: WATERLOO-USA
- 2- UNA CIFRA PARA INDICAR EL NUMERO DE CILINDROS
- 3- TRES CIFRAS PARA INDICAR LA CILINDRADA EN LITROS (P.E. 068 PARA 6,8L, 045 PARA 4,5L...)
- 4- UNA LETRA PARA NIVEL DE EMISIONES  
B: MOTOR SIN CERTIFICACION  
C: NIVEL DE EMISIONES TIER1/NIVEL I  
G: NIVEL DE EMISIONES TIER2/NIVEL II  
L: NIVEL DE EMISIONES TIER3/NIVEL III  
! EN LO QUE SE REFIERE A LAS SEIS CIFRAS DEL NUMERO DEL MOTOR MISMO (5),  
NUMERACION COMIENZA CON 000001
- 5- SEIS CIFRAS  
! EN LAS PAGINAS DEL CATALOGO DE PIEZAS, SOLO APARECEN ESTAS SEIS CIFRAS

### EL TIPO DEL MOTOR SE DEFINE MEDIANTE 9 CARACTERES ALFANUMERICOS

- 6- CUATRO CIFRAS QUE CORRESPONDEN A LAS CUATRO PRIMERAS CIFRAS DEL NUMERO DE SERIE
- 7- UNA LETRA PARA DESIGNAR EL TIPO DE ASPIRACION (D, T, H O A)
- 8- UNA O DOS LETRAS PARA DESIGNAR EL TIPO DE USO (P.E.: F=OEM, FM= MARINO)
- 9- DOS O TRES CIFRAS PARA DESIGNAR LA VERSION (P.E.:50 O 270)
- 10- DOS LETRAS Y CINCO CIFRAS PARA NUMERO MOTOR

### CUADRO DE APLICACIONES PARA MOTORES

CD4045TF278..... 605C CRAWLER



## SERIAL NUMBER LISTING INFORMATION

SERIAL NUMBER INFORMATION IS LISTED TO SHOW ON WHICH MACHINES EACH PART CAN BE USED; FOR EXAMPLE:

- THE PART CAN BE USED ON ALL MACHINES.
- 000000- THE PART CAN BE USED ON ALL MACHINES BEGINNING WITH THE SERIAL NUMBER LISTED.
- 000000 THE PART CAN BE USED ON ALL MACHINES UP TO AND INCLUDING THE SERIAL NUMBER LISTED.
- 000000-000000 THE PART CAN BE USED ON ALL MACHINES BETWEEN AND INCLUDING THE SERIAL NUMBERS LISTED.

WHEN XXXXXX'S ARE LISTED IN PLACE OF A SERIAL NUMBER, A SERIAL NUMBER CHANGE WAS MADE BUT THE EXACT SERIAL NUMBER WAS NOT AVAILABLE WHEN THE CATALOG WAS PRODUCED.

## BOX-ENCLOSED ILLUSTRATIONS

A KEY NUMBER, SHOWN IN THE PARTS LIST, IS ASSIGNED TO A BOX ENCLOSING ALL PARTS SOLD AS A SERVICE ASSEMBLY.

## COMPLETE GOODS LISTINGS

COMPLETE GOODS ARE LISTED IN BOLD FACE TYPE. ORDER SEPARATELY. DO NOT INCLUDE ON REPLACEMENT PARTS ORDER.

## SI UNITS OF MEASURE

METRIC DIMENSIONS ARE GIVEN, WHERE APPLICABLE, THROUGHOUT THIS PARTS CATALOG.

## BUCKET TEETH

ADDITIONAL BUCKET TEETH CAN BE FOUND IN THE BUCKET TEETH CATALOG  
PC 9555 BUCKET TEETH

## REMARKS AND ABBREVIATIONS

MP30119 -UN-18DEC02

PHRASE	ENGLISH	FRANCAIS	DEUTSCH	ITALIANO	ESPAÑOL	SVENSKA
ALSO ORDER, ORD W/	Also order	Commander aussi	Ebenso bestellen	Ordinare anche	Pedir también	Beställ även
AMP	Ampere	Ampère	Ampere	Ampere	Amperio	Ampere
AND	And	Et	Und	E	Y	Och
APPL, APPL ONLY	This application only	Uniquement pour cette utilisation	Nur für diese Anwendung	Solo per questa applicazione	Solo para este propósito	Endast för denna användning
AR	As required	Selon le besoin	Nach Bedarf	Secondo necessità	Según necesidad	Vid behov
ASSY	Complete assembly	Ensemble complet	Kompl.-Zusammenbau	Gruppo completo	Montaje completo	Komplett montering
CA, CONVENIENCE ASSY	Convenience assembly	Ensemble convenance	Komfort-Zusammenbau	Montaggio pratico	Montaje de conveniencia	Lämplig montering
CCW	Counter-clockwise	Sens anti-horaire	Gegen Uhrzeigersinn	Senso antiorario	A la izquierda	Moturs
COMPLETE	Complete	Complet	Vollständig	Completo	Completo	Fullständig
COMPLETE GOODS	Complete goods	Compléter marchandises	Vollst. Waren	Merci complete	Mercancias completas	Kompleta varor
CUT TO LENGTH	Cut to length	Couper à la longueur	Auf Länge zurechtschneiden	Tagliare alla lunghezza	Corte a la longitud	Skära till längd
CW	Clockwise	Sens horaire	Im Uhrzeigersinn	In senso orario	A la derecha	Medurs
FOR	For	Pour	Für	Per	Para	För
FRONT	Front	Avant	Vorn	Anteriore	Frente	Fram
GAS	Gasoline	Essence	Benzin	Benzina	Gasolina	Bensin
HP	Horsepower	Puissance en cv	Leistung	Potenza	Potencia	Hästkraft
HS, HEAD MARKED	High strength, head marked	Haute résistance, tête marquée	Hochfest, vorn gekennzeichnet	Contrassegnato in testa, ad alta resistenza	Alta fuerza, marca en cabeza	Hög styrka, huvudmärkt
HS, SAE	High strength, SAE rating	Haute résistance, SAE	Hochfest, SAE-Nennwert	Ad alta resistenza, potencia SAE	Alta fuerza, SAE	Hög styrka, SAE
ID	Inside diameter	Diamètre intérieur	Innendurchmesser	Diametro interno	Diá. interior	Innerdiameter
INCH	Inch	Pouce	In.	Pollice	Pulg.	Tum
INCL KEYS	Includes keys...	Comprend les positions...	Einschließlich Schlüssel...	Include le chiavette...	Incluye posiciones...	Inklusive nycklar...
INCL, INCLUDES	Includes...	Comprend...	Enthält...	Include...	Incluye...	Inkluderar...
INCLUDES PARTS/ ITEMS MARKED	Includes parts/items marked...	Comprend les pièces/articles marqués...	Enthält gekennzeichnete Teile/Pos. ...	Include i pezzi e gli elementi contrassegnati...	Incluye piezas marcadas...	Inkluderar markerade delar/artiklar...
INNER	Inner	Intérieur	Innerer	Interno	Interno	Inre, invändig
KIT	Kit	Kit	Kit	Kit	Juego	Sats
L	Number of links	Nombre de maillons	Anzahl der Glieder	Numero di maglie	Nº de eslabones	Antal länkar
LGTH	Length	Longueur	Länge	Lunghezza	Longitud	Längd
LH	Left-hand	Gauche	Links	Sinistra	Izquierda	Vänster
LOW, LOWER	Lower	Inférieur	Unterer	Inferiore	Inferior	Nedre

MP30119

## REMARKS AND ABBREVIATIONS

T198617

-UN-05APR04

PHRASE	ENGLISH	FRANCAIS	DEUTSCH	ITALIANO	ESPAÑOL	SVENSKA
MAKE FROM, MF	Make from	Faireavec	Herstellen von	Fabbricare da	Hacer de	Tillverka av
MARKED	Marked	Marqué	Markiert	Contrassegnato	Marcado	Märkt
MATCHED SET	Matched set	Ensemble assorti	Passender Satz	Set abbinato	Sistema emparejado	Anpassad sats
NA, NOT USED THIS APPL	Not used this application	Ne sert pas pour cette application	In dieser Anwendung nicht benutzt	Non usato in questa applicazione	No se usa en esta aplicación	Ej använd i detta sammanhang
NLA	No longer available	Epuisé	Nicht mehr lieferbar	Non più disponibile	Descontinuado	Ej längre tillgänglig
NSEP	Not supplied separately	Non livré séparément	Nicht einzeln lieferbar	Non fornito separatamente	No se suministra por separado	Kan ej erhållas separat
OD	Outside diameter	Diamètre extérieur	Außendurchmesser	Diametro esterno	Diá. exterior	Ytterdiameter
OPTIONAL	Optional	En option	Wahlweise	Opzionale	Opcional	Valfri
OR	Or	Ou	Oder	Oppure	O	Eller
ORD, ORDER	Order	Commander	Bestellen	Ordinare	Pidase	Order
OS	Oversize	Sur-dimension	Übergröße	Maggiorato	Sobretamaño	Överdimension
OUTER	Outer	Externe	Äußerer	Esterno	Externo	Yttre, utvändig
PKG, PACKG	Package, Packet of	Emballage, paquet de	Verpackung, verpackt mit	In confezione da	Paquete de	I sats; paket
RATIO	Ratio	Rapport	Übersetzungsverhältnis	Rapporto	Índice	Förhållande
REAR	Rear	Arrière	Hinten	Posteriore	Trasero	Bak; bakre
REMAN	Remanufactured	Echange Standard	Generalveberholt	Refatto	Refabricador por	Renoverad
REPL	Replaces	Remplace	Ersetzt	Sostituisce	Sustituye	Ersätter
RH	Right-hand	Droit	Rechts	Destra	Derecha	Höger
SN	Serial number	Numéro de série	Seriennummer	Numero di serie	Nº de serie	Seriennummer
STD	Standard	Standard	Standard	Standard	Normal	Standard
SUB	Replaced by	Remplacé par	Ersetzt durch	Sostituito da	Sustituido por	Ersatt med
SUB COMPONENTS	Substitute components (of the kit or assy)	Substituer les composants (du kit ou de l'ensemble)	Komponenten ersetzen (des Kits oder der Baugruppe)	Sostituire i componenti (del kito del gruppo)	Sustituir los componentes	Ersätta komponenterna (i satsen eller monteringen)
SUB FOR	Substitutes for	Remplace	Ersatz für	Sostituisce	Sustitución para	Ersätter
TEETH, Z	Number of gear teeth	Nombre de dents d'engrenages	Zahl der Zahnradzähne	Numero di denti dell'ingranaggio	Nº de dientes de engranaje	Antal redskapständer
TK	Thickness	Épaisseur	Stärke	Spessore	Espesor	Tjocklek
UP, UPPER	Upper	Supérieur	Oberer	Superiore	Superior	Övre
US	Undersize	Sous-dimension	Untergröße	Minorato	Subtamaño	Underdimension
USE WITH	Use with	À utiliser avec	Verwenden mit	Usare con	Usar con	Använd med
USE UNTIL EXHAUSTED	Use until exhausted	Utilisation jusqu'à épuisé	Verwenden, bis erschöpft	Usare fino all'esaurimento	Usar hasta agotar	Använda till uttömd
W/	With	Avec	Mit	Con	Con	Med; inklusive
W/O	Without	Sans	Ohne	Senza	Sin	Utän; exklusiv
WHOLE GOODS	Whole goods	Marchandises entières	Vollständige Waren	Merci intere	Mercancías enteras	Hela varor

T198617

## ALPHABETICAL INDEX

PAGE

PAGE

### A

A/C AND HEATER CONTROLS .....	1830-6
A/C AND HEATER VENT DUCTS .....	1830-8
A/C COMPRESSOR, BELT, BRACKET, AND BELT TENSIONER .....	1832-2
A/C CONDENSER (COMPLETE) .....	1810-2
A/C CONDENSER (COMPONENTS) .....	1833-2
A/C CONDENSER WIRING HARNESS .....	1833-2
A/C VAPOR CONDENSER PLATE, BUSHING, PLUG AND CLAMPS .....	1833-2
ACCESS COVERS, MAIN FRAME .....	1913-2
ACCUMULATOR DECAL .....	1322-2
ACCUMULATOR LABEL .....	1322-2
ACCUMULATOR, PILOT ENABLE .....	0360-8
ADAPTER / OIL FILTER / OIL LINES .....	0407-6
ADAPTER, AIR CONDITIONER HOSE .....	1833-8
ADAPTER, TEETH, MULTI-PURPOSE BUCKET .....	3102-8
ADHESIVE, CAB SLIDING SIDE WINDOW .....	1814-10
ADJUSTER, TRACK .....	0133-4
ADJUSTER, TRACK CHAIN TENSION .....	0133-4
AEC VENT .....	1812-4
AIR CLEANER ASSEMBLY .....	0521-2
AIR CLEANER CANISTER ASSEMBLY .....	0521-2
AIR CLEANER ELEMENT .....	0521-2
AIR CLEANER HOSES AND PIPE .....	0521-2
AIR CONDITIONER AND HEATER CONTROLS .....	1830-6
AIR CONDITIONER AND HEATER VENT DUCTS .....	1830-8
AIR CONDITIONER COMPONENT PARTS .....	1830-4
AIR CONDITIONER COMPRESSOR, BELT, BRACKET AND BELT TENSIONER .....	1832-2
AIR CONDITIONER CONDENSER .....	1833-2
AIR CONDITIONER CONDENSER (COMPLETE) .....	1810-2
AIR CONDITIONER CONDENSER ASSEMBLY .....	1833-4
AIR CONDITIONER CONDENSER WIRING HARNESS .....	1833-2
AIR CONDITIONER HOSE ADAPTER, COUPLING, O-RING, COVER AND LINE .....	1833-8
AIR CONDITIONER VAPOR CONDENSER COVER, CLAMP, GUARD, GROMMET, AND HOUSING .....	1833-4
AIR CONDITIONER VAPOR CONDENSER PLATE, BUSHING, PLUG, AND CLAMPS .....	1833-2
AIR CONDITIONING CONDENSER FAN RELAY .....	1675-2
AIR CONDITIONING EVAPORATOR FAN RELAY .....	1675-2
AIR CONDITIONING EXPANSION VALVE .....	1830-4
AIR CONDITIONING HOSES .....	1833-8
AIR CONDITIONING SWITCH .....	1675-2
AIR CONDITIONING SYSTEM FUSE .....	1675-2
AIR CONDITIONING SYSTEM FUSE HOLDER .....	1675-2
AIR CONDITIONING WIRING HARNESS .....	1675-2
AIR FILTER DECAL .....	1322-2
AIR FILTER RESTRICTION INDICATOR LIGHT .....	1676-4
AIR FILTER, CAB RECIRCULATING .....	1833-6
AIR INTAKE RAIN CAP .....	0521-2
AIR INTAKE TEMPERATURE SENSOR .....	0578-2
AIR SUSPENSION SEAT .....	1821-4
AIR SUSPENSION SEAT COMPRESSOR MOTOR .....	1821-4
ALARM, BACKUP .....	2004-2
ALTERNATOR .....	1672-2
ALTERNATOR BRACKET .....	0423-2
ALTERNATOR CHARGE INDICATOR LIGHT .....	1676-4
ANALOG ENGINE OIL PRESSURE SENSOR .....	1674-10
ANALOG ENGINE OIL PRESSURE SWITCH .....	1674-10
ANTENNA, RADIO .....	2001-2
ARM, REAR WINDSHIELD WIPER .....	1814-4
ARM, WINDSHIELD WIPER (FRONT) .....	1814-2
ATTACHING HARDWARE, CAB .....	1810-2
AUTOMATIC BELT TENSIONER .....	0429-2

AUXILIARY CONTROL VALVE COMPONENTS .....	3163-8
AUXILIARY HYDRAULIC CONTROL FOR FRONT AND REAR ATTACHMENTS .....	3163-6
AUXILIARY PILOT CONTROLLER HANDLE, REAR .....	4215-2
AUXILIARY PILOT CONTROLLER HYDRAULIC HOSES, REAR .....	4215-2
AUXILIARY PILOT CONTROLLER ROD .....	4215-2
AUXILIARY PILOT CONTROLLER SHAFT .....	4215-2
AUXILIARY PILOT CONTROLLER, REAR .....	4215-2

### B

BACKREST EXTENSION, SEAT .....	1821-2
BACKUP ALARM .....	2004-2
BACKUP ALARM WIRE HARNESS .....	2004-2
BALANCER SHAFT .....	0415-1
BALANCER VALVE .....	2163-10
BALL BEARINGS, SPLITTER BOX .....	0841-4
BARREL, BOOM LIFT CYLINDER .....	3165-2
BARREL, BUCKET CYLINDER .....	3165-4
BARREL, MULTI-PURPOSE BUCKET .....	3165-6
BASE MAT, CANOPY FLOOR PLATE .....	1812-12
BASE, AIR SUSPENSION SEAT .....	1821-4
BASE, MECHANICAL SUSPENSION SEAT .....	1821-6
BASIC SERVICE TOOLS .....	2005-2
BATTERIES .....	1671-2
BATTERY .....	1671-2
BATTERY CABLES .....	1671-2
BATTERY COMPARTMENT .....	1913-6
BATTERY CUTOFF SWITCH .....	1674-10
BATTERY POWER CABLE .....	1671-2
BEARING (ROLLER), SPLITTER BOX .....	0841-4
BEARING, HYDROSTATIC PUMP SHAFT ROLLER .....	0355-12
BEARINGS (BALL), SPLITTER BOX .....	0841-4
BEARINGS / CONNECTING ROD .....	0403-2
BEARINGS / CRANKSHAFT .....	0401-2
BELLCRANK, LOADER BUCKET .....	3143-2
BELT TENSIONER COMPONENTS, AIR CONDITIONER CONDENSER .....	1832-2
BELT TENSIONER, AUTOMATIC .....	0429-2
BELT, A/C COMPRESSOR .....	1832-2
BELT, SEAT .....	1821-4
BELT, SERPENTINE (WITHOUT A/C) .....	0429-3
BELT, SERPENTINE, (WITH A/C) .....	1832-2
BLADE, MULTI-PURPOSE BUCKET .....	3102-6
BLADE, REAR WINDSHIELD WIPER .....	1814-4
BLADE, WINDSHIELD WIPER (FRONT) .....	1814-2
BLEED VALVE, HYDRAULIC OIL RESERVOIR .....	2164-2
BLOCK-CYLINDER .....	0404-2
BLOCK-SHORT .....	0404-4
BLOWER AND HEAT EXCHANGERS, HOUSING (HEATER/AIR CONDITIONER) .....	1830-4
BOOM FLOAT INDICATOR LIGHT .....	1676-4
BOOM FLOAT POSITION SWITCH .....	1676-2
BOOM FLOAT POSITION SWITCH INDICATOR LIGHT .....	1676-2
BOOM HEIGHT KICKOUT SENSOR .....	1674-6
BOOM LIFT CYLINDER .....	3163-2
BOOM LIFT CYLINDER COMPONENTS .....	3165-2
BOOM LIFT CYLINDER LOCK SUPPORT .....	3165-8
BOOM LIFT CYLINDER MOUNTING PARTS .....	3163-2
BOOM LIFT CYLINDER SHIELD .....	3165-10
BOOM LOCK WARNING DECAL .....	1322-2
BOOM, LOADER .....	3143-4
BOOT, AIR SUSPENSION SEAT .....	1821-4
BOOT, MECHANICAL SUSPENSION SEAT .....	1821-6

## ALPHABETICAL INDEX - CONTINUED

	PAGE		PAGE
BOOT, V-PATTERN CONTROLLER.....	0315-2	BUCKET, MULTI-PURPOSE.....	3102-6
BOTTOM GUARDS.....	1913-2	BUCKET, STANDARD.....	3102-2
BOTTOM SHIELDS.....	1913-2	BULB, CAB WORK LIGHTS (OPTIONAL).....	1673-4
BOX, SPLITTER.....	0841-4	BULB, DOME LIGHT.....	1674-14
BRACE, MAIN FRAME CROSSMEMBER PLATE.....	1740-2	BULB, INSTRUMENT PANEL INDICATOR LIGHTS.....	1676-4
BRACKET-ALTERNATOR.....	0423-2	BULKHEAD CONNECTOR CLAMP.....	1816-2
BRACKET, INSTRUMENT PANEL.....	1816-2	BUSHING, BELLCRANK, LOADER BUCKET.....	3143-2
BRACKET, TRACK ROLLER.....	0133-2	BUSHING, CAB MOUNT.....	1812-6
BRACKETS AND COVERS, CAB.....	1810-14	BUSHING, LINKAGE, LOADER BUCKET.....	3143-2
BRACKETS AND COVERS, CANOPY.....	1810-18	BUSHING, MAIN FRAME TO THREE SHANK RIPPER (LOWER).....	4201-4
BRACKETS WITH IDLER.....	0133-6	BUSHING, THREE SHANK RIPPER TO MAIN FRAME (LOWER).....	4201-4
BRACKETS, BOOM LIFT CYLINDER LOCK SUPPORT.....	3165-8	BUSHINGS, CAB MOUNT.....	1812-2
BRACKETS, CAB SPEAKERS.....	1810-14	BYPASS START DECAL.....	1322-2
BRAKE LEVER, PARK, CANOPY.....	1810-22	BYPASS VALVE, HYDRAULIC OIL FILTER RESTRICTION.....	2164-2
BRAKE OIL PRESSURE INDICATOR LIGHT.....	1676-4		
BRAKE PEDAL AND COMPONENT PARTS.....	1011-2	C	
BRAKE PEDAL ASSEMBLY.....	1011-2	CAB (COMPLETE).....	1810-2
BRAKE PEDAL COVERS.....	1011-4	CAB A/C AND HEATER VENT DUCTS.....	1830-8
BRAKE, FINAL DRIVES.....	0201-2	CAB A/C COMPONENT PARTS.....	1830-4
BRAKE, FINAL DRIVES (CONTINUED).....	0201-4	CAB ATTACHING HARDWARE.....	1810-2
BREAKER POWER SUPPLY, CIRCUIT.....	1671-2	CAB COAT HOOK.....	1810-8
BREATHER.....	0407-8	CAB COVERS AND BRACKETS.....	1810-14
BREATHING LINE, DUO CONE.....	2005-2	CAB DOOR HINGES.....	1810-16
BUCKET CONVERSION KIT, STANDARD BUCKET TO MULTI-PURPOSE BUCKET.....	3102-6	CAB DOOR KEY.....	1676-2
BUCKET CUTTING EDGE, EXTRA ATTACHMENT, STANDARD BUCKET.....	3102-2	CAB DOOR LATCH AND HEAD LINER SEALING TRIM.....	1813-4
BUCKET CUTTING EDGE, MULTI-PURPOSE BUCKET.....	3102-6	CAB DOOR LATCH COVERS AND CAB HEAD LINER.....	1813-4
BUCKET CUTTING EDGE, MULTI-PURPOSE BUCKET EXTRA ATTACHMENT.....	3102-8	CAB DOOR LATCH PIN.....	1813-4
BUCKET CUTTING EDGE, MULTI-PURPOSE BUCKET FRONT JAW.....	3102-10	CAB DOOR LATCH PLATE.....	1813-4
BUCKET CUTTING EDGE, STANDARD BUCKET.....	3102-4	CAB DOOR LOCKS.....	1810-8
BUCKET CYLINDER ATTACHMENTS.....	3143-6	CAB DOOR RIGHT AND LEFT.....	1810-16
BUCKET CYLINDER CLAMPS.....	3143-6	CAB DOOR SEALS.....	1810-8
BUCKET CYLINDER COMPONENTS.....	3165-4	CAB GROUND CABLE.....	1671-2
BUCKET CYLINDER GUARD KIT.....	3143-6	CAB HEAD LINER, CAB DOOR LATCH COVER.....	1813-4
BUCKET CYLINDER OIL LINES.....	3143-6	CAB HEATER AND A/C CONTROLS.....	1830-6
BUCKET CYLINDER, COMPLETE.....	3143-6	CAB HEATER AND A/C VENT DUCTS.....	1830-8
BUCKET END BITS, STANDARD BUCKET.....	3102-4	CAB HEATER AND AIR CONDITIONER MOUNTING PARTS.....	1830-2
BUCKET FRONT JAW COMPONENT PARTS, MULTI-PURPOSE BUCKET.....	3102-10	CAB HEATER COMPONENT PARTS.....	1830-4
BUCKET HINGE PIN, MULTI-PURPOSE BUCKET.....	3102-6	CAB HEATER HOSES.....	1830-2
BUCKET HYDRAULIC CYLINDER, MULTI-PURPOSE BUCKET.....	3102-6	CAB MAT.....	1810-6
BUCKET HYDRAULIC LINES, MULTI-PURPOSE.....	3163-12	CAB MOUNTS.....	1812-2
BUCKET KIT, COMPLETE STANDARD BUCKET.....	3102-2	CAB OVERHEAD PANEL FUSES.....	1674-14
BUCKET PIN FASTENER, MULTI-PURPOSE BUCKET.....	3102-8	CAB OVERHEAD PANEL SWITCHES.....	1674-14
BUCKET PINS FOR TEETH, STANDARD BUCKET.....	3102-2	CAB OVERHEAD PANEL WARNING LIGHT RELAY.....	1674-12
BUCKET PIVOT PIN, MULTI-PURPOSE BUCKET.....	3102-6	CAB OVERHEAD PANEL WIRING HARNESS AND RELAYS.....	1674-12
BUCKET TEETH ADAPTER, STANDARD BUCKET.....	3102-2	CAB OVERHEAD PANEL WIRING LEAD WIRING LEAD.....	1674-12
BUCKET TEETH, MULTI-PURPOSE BUCKET.....	3102-8	CAB OVERHEAD PANEL, FUSE HOLDER.....	1674-14
BUCKET TEETH, STANDARD BUCKET.....	3102-2	CAB OVERHEAD PANEL, WIRING HARNESS AND RELAYS.....	1674-12
BUCKET TOOTH ADAPTER, MULTI-PURPOSE BUCKET.....	3102-8	CAB RECIRCULATING AIR FILTER.....	1833-6
BUCKET TOOTH ADAPTER, STANDARD BUCKET.....	3102-2	CAB REMOVAL EYEBOLT.....	2005-2
BUCKET WEAR PLATE, MULTI-PURPOSE BUCKET FRONT JAW.....	3102-10	CAB SIDE COMPARTMENT DOORS.....	1913-4
BUCKET WEAR PLATES, MULTI-PURPOSE BUCKET.....	3102-6	CAB SLIDING SIDE WINDOW.....	1814-10
BUCKET WEAR PLATES, STANDARD BUCKET.....	3102-4	CAB SPEAKER BRACKETS.....	1810-14
BUCKET, COMPLETE FIELD KIT, STANDARD BUCKET.....	3102-2	CAB STORAGE COMPARTMENT.....	1810-10
		CAB STORAGE COMPARTMENT COVER, FOOTREST, AND DOOR STOPS.....	1810-12
		CAB STORAGE COMPARTMENT LATCH.....	1810-10
		CAB STORAGE COMPARTMENT MAT.....	1810-10

## ALPHABETICAL INDEX - CONTINUED

	<i>PAGE</i>		<i>PAGE</i>
CAB STORAGE COMPARTMENT SEALING TRIM .....	1810-10	CIRCUIT BREAKER DECAL .....	1322-2
CAB TILT LINK .....	1812-10	CIRCUIT BREAKER, POWER SUPPLY .....	1671-2
CAB TILT LOCK .....	1812-10	CIRCUIT RELIEF VALVE .....	2163-10
CAB TILT PUMP .....	1812-8	CLAMP, EXHAUST PIPE .....	0531-2
CAB TIPPING PROCEDURE DECAL .....	1322-2	CLAMP, WINDSHIELD WIPER (FRONT) .....	1814-2
CAB WINDOW GLASS AND WEATHER STRIP .....	1814-6	CLAMP, WINDSHIELD WIPER, REAR .....	1814-4
CAB WINDOW GLASS AND WEATHER STRIP GUARD .....	1814-6	CLAMPS, BUCKET CYLINDER .....	3143-6
CAB WINDOW GLASS AND WEATHER STRIP, ISOLATOR .....	1814-6	CLAMPS, FRONT AUXILIARY HYDRAULIC LINE .....	3163-14
CAB WINDOW GLASS AND WEATHER STRIP, WINDOWPANE .....	1814-6	CLEANOUT COVER, FUEL TANK .....	0564-2
CAB WINDSHIELD WIPER MOTOR COVER .....	1810-14	CLEANOUT COVER, HYDRAULIC OIL RESERVOIR .....	2164-2
CAB WORK LIGHT FRAME .....	1810-14	CLIMATE CONTROL KNOBS, HEATER AND A/C .....	1830-6
CAB WORK LIGHT WIRING HARNESS .....	1673-2	COAT HOOK, CAB .....	1810-8
CAB WORK LIGHTS .....	1673-2	COAT HOOK, CANOPY .....	1810-18
CAB WORK LIGHTS (OPTIONAL) .....	1673-4	COLD WEATHER STARTING AID .....	0505-2
CAB WORK LIGHTS BULB (OPTIONAL) .....	1673-4	COMPARTMENT, STORAGE, CAB .....	1810-10
CAB/CANOPY PLATFORM .....	1812-4	COMPONENTS, HYDROSTATIC MOTOR .....	0360-4
CAB, ATTACHING HARDWARE, AND A/C CONDENSER .....	1810-2	COMPRESSOR, A/C .....	1832-2
CAB, V-PATTERN CONTROL CONVERSION KIT .....	0315-6	COMPRESSOR, AIR SUSPENSION SEAT .....	1821-4
CABLE, CAB STORAGE COMPARTMENT .....	1810-10	CONDENSER FAN RELAY .....	1675-2
CABLE, STORAGE COMPARTMENT, CAB .....	1810-10	CONDENSER WIRING HARNESS, A/C .....	1833-2
CAM SHAFT .....	0404-2	CONDENSER, A/C (COMPLETE) .....	1810-2
CANOPY COVERS AND BRACKETS .....	1810-18	CONDENSER, A/C (COMPONENTS) .....	1833-2
CANOPY COVERS AND STORAGE COMPARTMENT .....	1810-20	CONDENSER, AIR CONDITIONER .....	1833-4
CANOPY FLOOR PLATE AND BASE MAT .....	1812-12	CONNECTING ROD AND PISTON-CYLINDER LINER KIT .....	0403-2
CANOPY HANDRAIL .....	1921-2	CONNECTOR TERMINAL, ELECTRICAL .....	1816-2
CANOPY HEAD LINER .....	1813-6	CONNECTOR, SPLITTER BOX DIPSTICK .....	0841-4
CANOPY MOUNTS .....	1810-18	CONTROL KNOBS, CLIMATE, HEATER AND A/C .....	1830-6
CANOPY OVERHEAD PANEL AND COMPONENTS .....	1674-16	CONTROL LEVER COMPONENTS, RIPPER .....	4215-2
CANOPY PARK BRAKE LEVER AND SHIELDS .....	1810-22	CONTROL LEVER HANDLE, RIPPER .....	4215-2
CANOPY SHIELDS .....	1810-22	CONTROL LEVER, RIPPER HYDRAULIC .....	4215-2
CANOPY/CAB PLATFORM .....	1812-4	CONTROL LEVER, V-PATTERN .....	0315-2
CANOPY, V-PATTERN CONTROL CONVERSION KIT .....	0315-6	CONTROL STAND STRIP .....	1810-10
CAP, FUEL .....	1740-4	CONTROL UNIT, ENGINE .....	0413-2
CAP, RADIATOR FILLER .....	0510-2	CONTROL UNIT, MAIN WIRING HARNESS AND TCU .....	1674-4
CAP, WINDOW WASHER RESERVOIR .....	1814-8	CONTROL VALVE COMPONENTS, FRONT AUXILIARY HYDRAULIC CONTROL .....	3163-8
CARRIER ROLLER COVER .....	0133-10	CONTROL VALVE, LOADER HOSES .....	2163-2
CARRIER ROLLER SUPPORT .....	0133-10	CONTROL VALVE, MAIN HYDRAULIC .....	2163-6
CARRIER ROLLER WITH SHAFT .....	0133-10	CONTROL, AUXILIARY HYDRAULIC, FOR FRONT AND REAR ATTACHMENTS .....	3163-6
CAUTION DECAL .....	1322-2	CONTROLLER VALVE, RIPPER .....	4215-2
CAUTION OPERATING DECAL .....	1322-2	CONTROLLER, AUXILIARY PILOT, REAR .....	4215-2
CERTIFICATION PLATE, ROPS .....	1322-2	CONTROLLER, RIPPER .....	4215-2
CHAIN BUSHINGS, TRACK .....	0132-2	CONTROLLER, TRANSMISSION .....	1674-4
CHAIN DRIVE SPROCKET, TRACK .....	0132-6	CONTROLLER, V-PATTERN .....	0315-2
CHAIN GUIDE SLIDE, FRONT .....	0131-2	CONTROLS, HEATER AND A/C .....	1830-6
CHAIN GUIDES .....	0131-4	CONVERSION KIT HYDRAULIC LINES, STANDARD BUCKET TO MULTI-PURPOSE BUCKET .....	3163-12
CHAIN MASTER LINK, TRACK .....	0132-2	CONVERSION KIT, STANDARD BUCKET TO MULTI-PURPOSE BUCKET .....	3102-6
CHAIN PINS, TRACK .....	0132-2	CONVERTER, 24 TO 12 V .....	1674-20
CHAIN SEALS, TRACK .....	0132-2	COOLANT TEMPERATURE SENSOR .....	0578-2
CHAIN SHOE, MASTER TRACK .....	0132-2	COOLANT TEMPERATURE SWITCH .....	1674-8
CHAIN, BOOM LIFT CYLINDER LOCK SUPPORT .....	3165-8	COOLANT, ENGINE .....	1369-2
CHAIN, TRACK ASSEMBLY WITHOUT .....	0132-2	COOLER-OIL, ENGINE .....	0419-1
CHARGE OIL FILTER HOSE .....	0363-8	COOLER, OIL, HYDRAULIC .....	0510-2
CHARGE OIL FILTER RETURN HOSES .....	0363-6	COOLING PACKAGE .....	0510-2
CHARGE OIL FILTER RETURN HOSES AND NEUTRAL CHARGE RELIEF VALVE .....	0363-4	COOLING PACKAGE MOUNTING .....	0510-6
CHARGE OIL FILTER TO NEUTRAL CHARGE RELIEF VALVE HOSE .....	0363-6	CORE, HEAT EXCHANGERS/BLOWERS (HEATER/AIR CONDITIONER) .....	1830-4
CHARGE OIL PRESSURE INDICATOR LIGHT .....	1676-4	COTTER PIN, BOOM LIFT CYLINDER LOCK SUPPORT .....	3165-8
CHARGE OIL PRESSURE TEST HOSE .....	0363-6	COUNTER BALANCE SHAFT .....	0415-1
CHARGE PRESSURE HOSE .....	0363-6	COUNTERWEIGHT, REAR .....	1749-2
CHARGE PUMP, HYDROSTATIC .....	0355-4	COUPLER, SPLITTER DRIVE .....	0841-2
CHARGE PUMP, HYDROSTATIC .....	0355-6		
CHARGE RELIEF VALVE, NEUTRAL .....	0363-4		
CHECK VALVE, HYDRAULIC CONTROL VALVE .....	2163-8		

## ALPHABETICAL INDEX - CONTINUED

	PAGE		PAGE
COUPLING, AIR CONDITIONER HOSE .....	1833-8	CYLINDER, BARREL, MULTI-PURPOSE BUCKET .....	3165-6
COUPLING, SPLITTER BOX TO ENGINE .....	0841-4	CYLINDER, BOOM LIFT .....	3163-2
COVER WITHOUT DIPSTICK / GUIDE .....	0407-4	CYLINDER, BOOM LIFT (COMPONENTS) .....	3165-2
COVER-THERMOSTAT .....	0418-2	CYLINDER, BUCKET COMPONENTS .....	3165-4
COVER-VALVE .....	0402-3	CYLINDER, BUCKET, COMPLETE .....	3143-6
COVER-VALVE (CONVERSION PARTS) .....	0402-4	CYLINDER, ENGINE COMPARTMENT DOOR .....	1910-2
COVER, AIR CONDITIONER HOSE .....	1833-8	CYLINDER, HYDRAULIC, THREE SHANK RIPPER (COMPLETE) .....	4201-4
COVER, AIR CONDITIONER VAPOR CONDENSER .....	1833-4	CYLINDER, OPERATOR STATION HYDRAULIC TILT .....	1812-10
COVER, CAB HEAD LINER, CAB DOOR LATCH .....	1813-4	CYLINDER, STARTING AID FLUID .....	0505-2
COVER, CARRIER ROLLER .....	0133-10	CYLINDER, THREE SHANK RIPPER (COMPLETE) .....	4265-2
COVER, ELECTRONIC OUTLET .....	1676-8	CYLINDERS, CAB SIDE COMPARTMENT DOORS .....	1913-4
COVER, GRILLE .....	1921-2		
COVER, HYDRAULIC OIL RESERVOIR FILTER .....	2164-2	<b>D</b>	
COVER, HYDROSTATIC MOTOR .....	0360-4	DDU, DIAGNOSTIC DISPLAY UNIT .....	1676-4
COVER, IGNITION SWITCH .....	1676-2	DECAL, ACCUMULATOR .....	1322-2
COVER, INSTRUMENT PANEL VANDALISM CANOPY .....	1816-2	DECAL, AIR FILTER .....	1322-2
COVER, MAIN HYDRAULIC CONTROL VALVE .....	2163-10	DECAL, BOOM LOCK WARNING .....	1322-2
COVER, RADIATOR .....	1921-2	DECAL, BYPASS START .....	1322-2
COVER, RADIATOR AND OIL COOLER .....	0510-2	DECAL, CAB TIPPING PROCEDURE .....	1322-2
COVER, SPEAKER .....	1674-20	DECAL, CAUTION .....	1322-2
COVER, TCU .....	1810-12	DECAL, CAUTION OPERATING .....	1322-2
COVERS AND BRACKETS, CAB .....	1810-14	DECAL, CIRCUIT BREAKER .....	1322-2
COVERS AND BRACKETS, CANOPY .....	1810-18	DECAL, DEERE .....	1322-2
COVERS, BRAKE PEDAL .....	1011-4	DECAL, DIESEL FUEL ONLY .....	1322-2
COVERS, CANOPY .....	1810-20	DECAL, EMERGENCY EXIT .....	1322-2
COVERS, FOOT PEDAL STEERING .....	0962-6	DECAL, ENGINE SPEED .....	1322-2
COVERS, MAIN FRAME ACCESS .....	1913-2	DECAL, ENGINE START AND STOP PROCEDURE .....	1322-2
COVERS, TRACK FRAME .....	0133-8	DECAL, FUSE BLOCK .....	1322-2
CRANK POSITION SENSOR .....	0578-2	DECAL, F32,F1 .....	1322-2
CRANKCASE OIL SEPARATOR .....	0521-2	DECAL, HYDRAULIC FLUID .....	1322-2
CRANKCASE BREATHER .....	0521-2	DECAL, HYDRAULIC LOADER CONTROL .....	1322-2
CRANKSHAFT / BEARINGS .....	0401-2	DECAL, IMPORTANT .....	1322-2
CRANKSHAFT OIL SEAL .....	0433-2	DECAL, LEAPING DEERE .....	1322-2
CRANKSHAFT PULLEY .....	0429-1	DECAL, MADE FOR JOHN DEERE .....	1322-2
CROSSMEMBER PLATE AND HARDWARE, MAIN FRAME .....	1740-2	DECAL, PARK BRAKE .....	1322-2
CUP HOLDER .....	1810-12	DECAL, PARK LOCK .....	1322-2
CURTAIN, SHADE, CAB FRONT .....	1810-6	DECAL, PEDAL STEER-JOYSTICK .....	1322-2
CUSHION, AIR SUSPENSION SEAT .....	1821-4	DECAL, RADIATOR CAP .....	1322-2
CUSHION, LEG .....	1812-4	DECAL, REFLECTIVE .....	1322-2
CUSHION, MECHANICAL SUSPENSION SEAT .....	1821-6	DECAL, ROPS CERTIFICATION .....	1322-2
CUTTING EDGE, EXTRA ATTACHMENT, STANDARD BUCKET .....	3102-2	DECAL, SAFETY SIGN .....	1322-2
CUTTING EDGE, MULTI-PURPOSE BUCKET .....	3102-6	DECAL, SEAT BELT WARNING .....	1322-2
CUTTING EDGE, MULTI-PURPOSE BUCKET EXTRA ATTACHMENT .....	3102-8	DECAL, SERIES II .....	1322-2
CUTTING EDGE, MULTI-PURPOSE BUCKET FRONT JAW .....	3102-10	DECAL, SERVICE .....	1322-2
CUTTING EDGE, STANDARD BUCKET .....	3102-4	DECAL, TIE DOWN POINTS .....	1322-2
CYLINDER BARREL, BOOM LIFT .....	3165-2	DECAL, WINDSHIELD WASHER .....	1322-2
CYLINDER BARREL, BUCKET .....	3165-4	DECAL, 24 VOLT .....	1322-2
CYLINDER BLOCK .....	0404-2	DECAL, 655C .....	1322-2
CYLINDER BLOCK, HYDROSTATIC MOTOR .....	0360-4	DECALS .....	1322-2
CYLINDER COMPONENTS, THREE SHANK RIPPER .....	4265-2	DECALS (FRENCH) .....	1322-6
CYLINDER GUARD KIT, BUCKET .....	3143-6	DECALS (SPANISH) .....	1322-4
CYLINDER GUARD, MULTI-PURPOSE BUCKET .....	3102-12	DEERE DECAL .....	1322-2
CYLINDER HEAD .....	0409-1	DE10, FUEL INJECTION PUMP .....	0413-4
CYLINDER LOCK SUPPORT, BOOM LIFT .....	3165-8	DIAGNOSTIC DISPLAY UNIT, DDU .....	1676-4
CYLINDER MULTI-PURPOSE BUCKET (COMPONENTS) .....	3165-6	DIAGNOSTIC HOSE, TRAVEL .....	0363-2
CYLINDER PISTON, THREE SHANK RIPPER (COMPLETE) .....	4265-2	DIAGNOSTIC TEST COUPLINGS .....	1913-6
CYLINDER PROTECTION FOR MULTI-PURPOSE BUCKET .....	3102-12	DIESEL FUEL ONLY DECAL .....	1322-2
CYLINDER ROD, THREE SHANK RIPPER .....	4265-2	DIODE PACK, INSTRUMENT PANEL .....	1676-8
CYLINDER SHIELD, BOOM LIFT .....	3165-10	DIPSTICK / GUIDE .....	0407-4
		DIPSTICK, SPLITTER BOX .....	0841-4
		DOME LIGHT .....	1674-14
		DOOR CYLINDERS, CAB SIDE COMPARTMENT .....	1913-4

## ALPHABETICAL INDEX - CONTINUED

	PAGE		PAGE
DOOR HINGE, LEFT .....	1810-16	ENGINE OVERHAUL KIT .....	0452-4
DOOR HINGE, RIGHT .....	1810-16	ENGINE SENSORS (SPEED, WATER, AIR) .....	0578-2
DOOR HINGES, CAB .....	1810-16	ENGINE SPEED CONTROL SWITCH.....	1674-10
DOOR KEY .....	1676-2	ENGINE SPEED DECAL .....	1322-2
DOOR KEY .....	2005-2	ENGINE SPEED POTENTIOMETER .....	1674-10
DOOR LATCH AND COMPONENTS.....	1813-2	ENGINE START AND STOP PROCEDURE DECAL.....	1322-2
DOOR LATCH COVERS AND CAB HEAD LINER, CAB .....	1813-4	ENGINE STARTER .....	0422-1
DOOR LOCK, CAB .....	1810-8	ENVIRONMENTAL DRAIN HOSE .....	2005-2
DOOR LOCK, CAB SIDE COMPARTMENT .....	1913-4	ERROR MESSAGE INDICATOR LIGHT .....	1676-4
DOOR SEALS, CAB .....	1810-8	ETHER START AID.....	0505-2
DOOR STOP, CAB SIDE COMPARTMENT .....	1913-4	ETHER START AID SWITCH.....	1676-2
DOOR STOPS .....	1810-12	EVAPORATOR FAN RELAY .....	1675-2
DOOR, CAB SIDE COMPARTMENT .....	1913-4	EVAPORATOR MOUNTING PLATE.....	1833-6
DOOR, ENGINE COMPARTMENT .....	1910-2	EVAPORATOR MOUNTING PLATE AND FILTER .....	1833-6
DOOR, RIGHT AND LEFT CAB .....	1810-16	EVAPORATOR, HEAT EXCHANGERS/BLOWERS (HEATER/AIR CONDITIONER).....	1830-4
DOUBLE-FLANGE TRACK ROLLER .....	0133-2	EXHAUST MANIFOLD .....	0410-1
DRAIN HOSE, ENVIRONMENTAL .....	2005-2	EXHAUST MANIFOLD GASKET .....	0410-1
DRAIN PLUG, RADIATOR .....	0510-2	EXHAUST PIPE .....	0531-2
DRAIN PLUG, SPLITTER BOX .....	0841-4	EXHAUST PIPE CLAMP .....	0531-2
DRIVE MOTOR, HYDROSTATIC (COMPLETE REMAN) .....	0360-2	EXHAUST SYSTEM.....	0531-2
DRIVE SHAFT, HYDROSTATIC MOTOR .....	0360-4	EXPANSION VALVE, AIR CONDITIONING .....	1830-4
DRIVE SHAFT, UNIVERSAL FINAL .....	0201-2	EXTENSION, SEAT BACKREST .....	1821-2
DRIVE SHAFT, UNIVERSAL FINAL (CONTINUED).....	0201-4	EXTRA ATTACHMENT CUTTING EDGE, STANDARD BUCKET .....	3102-2
DRIVE SPLITTER, ENGINE (GEAR BOX) .....	0841-4	EYEBOLT, CAB REMOVAL .....	2005-2
DRIVES, FINAL .....	0201-2		
DRIVES, FINAL (CONTINUED).....	0201-4	<b>F</b>	
DUO CONE, BREATHING LINE .....	2005-2	FAN CONTROL UNIT .....	1674-8
DUO CONE, REFILLING HOSE .....	2005-2	FAN COWL, RADIATOR.....	0510-4
		FAN DRIVE MOTOR, HYDRAULIC.....	0510-8
<b>E</b>		FAN GUARD, RADIATOR.....	0510-4
ECU .....	0413-2	FAN MOTOR PRESSURE REGULATING SOLENOID.....	0510-8
ELBOW FITTING, REAR WINDSHIELD WIPER.....	1814-4	FAN MOTOR, PROPORTIONAL SOLENOID .....	0510-8
ELBOW FITTING, WINDSHIELD WIPER (FRONT) .....	1814-2	FAN PUMP, HYDRAULIC .....	0355-4
ELECTRICAL CONNECTOR TERMINAL.....	1674-20	FAN, RADIATOR .....	0510-4
ELECTRICAL OUTLET COVER .....	0413-2	FASTENING KIT, WINDSHIELD WIPER (FRONT).....	1814-2
ELECTRONIC CONTROL UNIT, ENGINE.....	1676-8	FCU (FAN CONTROL UNIT).....	1674-8
ELECTRONIC FAULT INDICATOR RELAY .....	1676-8	FILLER CAP, RADIATOR .....	0510-2
ELECTRONIC OUTLET COVER .....	0420-2	FILLER NECK, OIL (1201).....	0407-3
ELEMENT, FINAL FUEL FILTER .....	0420-6	FILTER COVER, HYDRAULIC OIL RESERVOIR .....	2164-2
ELEMENT, PRIMARY FUEL FILTER .....	1322-2	FILTER ELEMENT, HYDRAULIC OIL RESERVOIR .....	2164-2
EMERGENCY EXIT DECAL .....	1676-2	FILTER HOUSING, HYDRAULIC OIL .....	0360-10
EMERGENCY STOP SWITCH.....	3102-10	FILTER-FUEL, FINAL.....	0420-1
END BIT, MULTI-PURPOSE BUCKET FRONT JAW .....	3102-4	FILTER-FUEL, FINAL (COMPONENTS) .....	0420-2
END BITS, STANDARD BUCKET .....	0355-10	FILTER-FUEL, PRIMARY.....	0420-5
END CAP ASSEMBLY, HYDROSTATIC PUMP .....	0404-2	FILTER-FUEL, PRIMARY (COMPONENTS) .....	0420-6
ENGINE BLOCK .....	0404-2	FILTER-OIL / ADAPTER / OIL LINES .....	0407-6
ENGINE BLOCK REMAN .....	1910-2	FILTER, AIR CLEANER .....	0521-2
ENGINE COMPARTMENT DOOR .....	1910-2	FILTER, EVAPORATOR MOUNTING PLATE.....	1833-6
ENGINE COMPARTMENT HOOD .....	0413-2	FILTER, HYDRAULIC AND HYDROSTATIC CASE DRAIN.....	2164-2
ENGINE CONTROL UNIT .....	1676-4	FILTER, HYDRAULIC OIL.....	0360-10
ENGINE COOLANT TEMPERATURE GAUGE .....	0521-2	FILTER, HYDRAULIC OIL (IN HYDRAULIC RESERVOIR) .....	2164-2
ENGINE CRANKCASE OIL SEPARATOR .....	0409-1	FILTER, HYDRAULIC OIL RESERVOIR .....	2164-2
ENGINE CYLINDER HEAD .....	0841-4	FILTER, HYDRAULIC OIL RETURN.....	2164-2
ENGINE DRIVE SPLITTER GEAR BOX .....	0413-2	FILTER, HYDROSTATIC OIL.....	0360-10
ENGINE ECU.....	0452-2	FINAL DRIVE BRAKE PISTON.....	0201-2
ENGINE GASKET SET .....	0540-2	FINAL DRIVE BRAKE PISTON (CONTINUED).....	0201-4
ENGINE MOUNTING BRACKETS .....	0540-2	FINAL DRIVE INNER HOUSING .....	0201-2
ENGINE MOUNTING ISOLATORS.....	0419-1	FINAL DRIVE INNER HOUSING (CONTINUED).....	0201-4
ENGINE OIL COOLER .....	0407-6	FINAL DRIVE INPUT GEAR.....	0201-2
ENGINE OIL FILTER .....	1676-4		
ENGINE OIL PRESSURE GAUGE.....	1674-3		



## ALPHABETICAL INDEX - CONTINUED

	PAGE		PAGE
FINAL DRIVE INPUT GEAR		FRONT PLATE AND UPPER IDLE GEAR	0401-3
(CONTINUED)	0201-4	FRONT TRACK CHAIN IDLER AND BRACKETS	0133-6
FINAL DRIVE OUTER HOUSING	0201-2	FRONT WINDSHIELD WIPER (COMPONENT	
FINAL DRIVE OUTER HOUSING		PARTS)	1814-2
(CONTINUED)	0201-4	FUEL CAP	1740-4
FINAL DRIVES	0201-2	FUEL FILTER, FINAL	0420-1
FINAL DRIVES (CONTINUED)	0201-4	FUEL FILTER, FINAL (COMPONENTS)	0420-2
FINAL DRIVES BRAKE	0201-2	FUEL FILTER, PRIMARY	0420-5
FINAL DRIVES BRAKE		FUEL FILTER, PRIMARY (COMPONENTS)	0420-6
(CONTINUED)	0201-4	FUEL GAUGE	1676-4
FINAL FUEL FILTER	0420-1	FUEL HOSES	0563-2
FINAL FUEL FILTER (COMPONENTS)	0420-2	FUEL INJECTION PUMP	0413-2
FITTING (ELBOW), REAR WINDSHIELD WIPER	1814-4	FUEL INJECTION PUMP, STANADYNE DE10	
FITTING (ELBOW), WINDSHIELD WIPER		SERVICE KITS	0413-4
(FRONT)	1814-2	FUEL INJECTION SYSTEM	0413-2
FITTINGS, FRONT AND REAR AUXILIARY		FUEL LINES	0413-2
HYDRAULIC CONTROL	3163-6	FUEL LINES, LOW PRESSURE	0420-8
FITTINGS, FRONT AUXILIARY PILOT HOSE	3163-10	FUEL SHUTOFF SOLENOID RELAY	1676-8
FITTINGS, LOADER BOOM	3143-4	FUEL STRAINER	1740-4
FLANGE, SPLITTER BOX	0841-4	FUEL TANK	0564-2
FLANGED AXLE SHAFT SEAL	0201-2	FUEL TANK CHECK VALVE	0564-2
FLANGED AXLE SHAFT SEAL		FUEL TANK PLUMBING	0563-2
(CONTINUED)	0201-4	FUEL TANK TO WATER SEPARATOR FUEL HOSES	0563-2
FLOAT POSITION RELAY	1676-8	FUEL TEMPERATURE SENSOR	0413-4
FLOAT POSITION SWITCH, BOOM	1676-2	FUEL TRANSFER PUMP	0421-2
FLOAT POSITION SWITCH, BOOM, INDICATOR		FUSE BLOCK DECAL	1322-2
LIGHT	1676-2	FUSE HOLDER, AIR CONDITIONING SYSTEM	1675-2
FLOOR MAT, CANOPY	1812-12	FUSE HOLDER, CAB OVERHEAD PANEL	1674-14
FLOOR PLATE ISOLATOR, CANOPY	1812-12	FUSE HOLDERS, INSTRUMENT PANEL	1676-6
FLUSHING VALVE	0360-4	FUSE, AIR CONDITIONING SYSTEM	1675-2
FLYWHEEL	0433-3	FUSES, CAB OVERHEAD PANEL	1674-14
FLYWHEEL DRIVE COUPLER	0841-2	FUSES, INSTRUMENT PANEL	1676-6
FLYWHEEL HOUSING	0433-2	FUSES, SPARE	2005-2
FNR CONTROL LEVER	1674-4	F32,F1 DECAL	1322-2
FNR CONTROL, V-PATTERN	0315-2	F32,F1 LABEL	1322-2
FNR MOUNTING PLATE	1812-2		
FNR STEERING TO SINGLE LEVER STEERING		<b>G</b>	
KIT	0315-4	GASKET SET, ENGINE	0452-2
FOOT PEDAL STEERING	0962-2	GASKET, CYLINDER HEAD	0409-1
FOOT PEDAL STEERING ATTACHING HARDWARE	0962-4	GASKET, EXHAUST MANIFOLD	0410-1
FOOT PEDAL STEERING COVERS	0962-6	GASKET, HYDROSTATIC PUMP END CAP	0355-10
FOOTBOARD, LEFT	1740-4	GASKET, INTAKE MANIFOLD	0414-1
FOOTBOARD, RIGHT	1740-6	GASKETS, INSTRUMENT PANEL	1816-2
FOOTREST	1810-12	GAUGE SEALING RINGS, INSTRUMENT PANEL	1676-4
FORWARD, NEUTRAL, REVERSE TRANSMISSION/		GAUGE, ENGINE COOLANT TEMPERATURE	1676-4
HYDROSTATIC CONTROL LEVER	0315-2	GAUGE, ENGINE OIL PRESSURE	1676-4
FORWARD, NEUTRAL, REVERSE STEERING TO		GAUGE, FUEL	1676-4
SINGLE LEVER STEERING KIT	0315-4	GAUGE, HYDRAULIC OIL TEMPERATURE	1676-4
FRAME (MAIN) CROSSMEMBER PLATE AND		GAUGES, INSTRUMENT PANEL	1676-4
HARDWARE	1740-2	GEAR-IDLE (UPPER)	0401-3
FRAME, AIR SUSPENSION SEAT	1821-4	GEARBOX FOR ENGINE DRIVE SPLITTER BOX	0841-4
FRAME, CAB SLIDING SIDE WINDOW	1814-10	GLASS WINDOW AND WEATHER STRIP, CAB	1814-6
FRAME, CAB WORK LIGHT	1810-14	GREASE FOR CAMSHAFT BUSHING	1369-2
FRAME, MECHANICAL SUSPENSION SEAT	1821-6	GRILLE	1921-2
FRAME, RADIATOR AND OIL COOLER	0510-2	GRILLE COVER	1921-2
FRAME, THREE SHANK RIPPER	4201-4	GRILLE LABEL, REAR, LEAPING DEER	1322-2
FRAME, TRACK	0131-2	GRILLE, AIR CONDITIONER VAPOR CONDENSER	1833-4
FRAME, VENT DUCTS, A/C AND HEATER	1830-8	GROMMET, AIR CONDITIONER VAPOR CONDENSER	1833-4
FRENCH LABELS AND DECALS	1322-6	GROUND CABLE, BATTERY	1671-2
FRONT AND REAR AUXILIARY HYDRAULIC		GROUND CABLE, CAB	1671-2
CONTROL	3163-6	GUARD, AIR CONDITIONER VAPOR CONDENSER	1833-4
FRONT AND REAR AUXILIARY HYDRAULIC		GUARD, CAB SLIDING SIDE WINDOW	1814-10
CONTROL HOSES AND FITTINGS	3163-6	GUARD, CAB WINDOW GLASS AND WEATHER	
FRONT AUXILIARY HYDRAULIC HOSES	3163-14	STRIP	1814-6
FRONT AUXILIARY HYDRAULIC LINES	3163-14	GUARD, CYLINDER, MULTI-PURPOSE BUCKET	3102-12
FRONT AUXILIARY VALVE FITTINGS	3163-10		
FRONT CHAIN GUIDE SLIDE	0131-2		

## ALPHABETICAL INDEX - CONTINUED

	PAGE		PAGE
GUARD, TRACK DRIVE SPROCKET.....	0132-4	HOSE, RETURN, SOLENOID VALVE TO	
GUARDS, BOTTOM.....	1913-2	RESERVOIR.....	3163-10
GUARDS, PILOT CONTROLLER.....	3163-4	HOSES (AIR CONDITIONING).....	1833-8
GUARDS, ROCK.....	0138-2	HOSES BETWEEN SOLENOID VALVES.....	3163-10
GUARDS, TRACK.....	0138-2	HOSES, AIR CLEANER.....	0521-2
GUIDE / DIPSTICK.....	0407-4	HOSES, BOOM LIFT CYLINDER.....	3163-2
GUIDE SLIDE, FRONT CHAIN.....	0131-2	HOSES, BUCKET PILOT/HYDRAULIC CONTROL	
GUIDE, BOOM LIFT CYLINDER.....	3165-2	VALVE.....	3163-4
GUIDE, CAB SLIDING SIDE WINDOW.....	1814-10	HOSES, FRONT AND REAR AUXILIARY	
GUIDE, IDLER.....	0133-6	HYDRAULIC CONTROL.....	3163-6
GUIDE, ROD, BUCKET CYLINDER.....	3165-4	HOSES, FRONT AUXILIARY PILOT.....	3163-10
GUIDE, ROD, MULTI-PURPOSE BUCKET.....	3165-6	HOSES, HYDRAULIC (MULTI-PURPOSE BUCKET).....	3163-12
GUIDES, CHAIN.....	0131-4	HOSES, HYDRAULIC (RIPPER CONTROL LEVER	
		TO CONTROL VALVE).....	4215-2
		HOSES, HYDRAULIC FAN DRIVE.....	0510-10
<b>H</b>		HOSES, HYDRAULIC, RIPPER CONTROLS.....	4215-2
HAND PUMP, OPERATOR STATION HYDRAULIC		HOSES, OPERATOR STATION HYDRAULIC TILT.....	1812-8
TILT.....	1812-8	HOSES, PILOT CONTROLLER.....	3163-4
HANDLE, AUXILIARY PILOT CONTROLLER, REAR.....	4215-2	HOSES, PILOT/HYDRAULIC CONTROL VALVE.....	3163-4
HANDLE, CAB SLIDING SIDE WINDOW.....	1814-10	HOSES, SOLENOID VALVE TO MAIN HYDRAULIC	
HANDLE, LOADER BOOM.....	3143-2	CONTROL VALVE.....	3163-10
HANDLE, RIPPER CONTROL LEVER.....	4215-2	HOSES, WINDOW WASHER.....	1814-8
HANDRAIL, CANOPY.....	1921-2	HOSE, WINDOW WASHER.....	1676-4
HANDRAIL, LOADER BOOM.....	3143-2	HOUSING-FLYWHEEL.....	0433-2
HARDWARE, MAIN FRAME CROSSMEMBER PLATE.....	1740-2	HOUSING-INTERMEDIATE (ENGINE OIL COOLER).....	0419-2
HARDWARE, REAR COUNTERWEIGHT.....	1749-2	HOUSING, AIR CONDITIONER VAPOR CONDENSER.....	1833-4
HARNESS, A/C CONDENSER WIRING.....	1833-2	HOUSING, HEAT EXCHANGERS AND BLOWERS	
HARNESS, AIR CONDITIONING WIRING.....	1675-2	(CAB HEATER/AIR CONDITIONER).....	1830-4
HARNESS, CAB OVERHEAD PANEL.....	1674-12	HOUSING, HYDRAULIC OIL FILTER.....	0360-10
HARNESS, CAB WORK LIGHTS (OPTIONAL).....	1673-4	HOUSING, HYDROSTATIC MOTOR REGULATOR	
HARNESS, RADIO WIRING.....	2001-2	VALVE.....	0360-6
HARNESS, ROPS OVERHEAD PANEL.....	1674-16	HOUSING, INNER FINAL DRIVE.....	0201-2
HEAD GASKET.....	0409-1	HOUSING, INNER FINAL DRIVE	
HEAD LINER, CAB DOOR LATCH COVER.....	1813-4	(CONTINUED).....	0201-4
HEAD LINER, CANOPY.....	1813-6	HOUSING, OUTER FINAL DRIVE.....	0201-2
HEAD-CYLINDER.....	0409-1	HOUSING, OUTER FINAL DRIVE	
HEADLIGHTS.....	1673-2	(CONTINUED).....	0201-4
HEADREST.....	1821-2	HOUSING, SPLITTER BOX.....	0841-4
HEAT EXCHANGERS AND BLOWERS, HOUSING		HYDRAULIC CASE DRAIN FILTERS.....	2164-2
(HEATER/AIR CONDITIONER).....	1830-4	HYDRAULIC CHARGE OIL FILTER HOSE.....	0363-8
HEATER AND A/C CONTROLS.....	1830-6	HYDRAULIC CONTROL LEVER.....	3163-4
HEATER AND A/C LOUVERS.....	1830-8	HYDRAULIC CONTROL LEVER MOUNTING PLATE.....	1812-2
HEATER AND A/C VENT DUCTS.....	1830-8	HYDRAULIC CONTROL LEVER, RIPPER.....	4215-2
HEATER AND AIR CONDITIONER MOUNTING		HYDRAULIC CONTROL VALVE.....	2163-10
PARTS, CAB.....	1830-2	HYDRAULIC CONTROL VALVE AND FITTINGS.....	2163-6
HEATER HOSES, CAB.....	1830-2	HYDRAULIC CONTROL VALVE COMPONENTS.....	2163-8
HEATER/AC COMPONENT PARTS.....	1830-4	HYDRAULIC CONTROL VALVE RELIEF VALVE AND	
HIGH PRESSURE RELIEF VALVE, HYDROSTATIC.....	0355-14	ORIFICE.....	2163-8
HINGE PIN.....	1813-4	HYDRAULIC CONTROL VALVE SEAL KITS.....	2163-10
HINGE PIN, MULTI-PURPOSE BUCKET.....	3102-6	HYDRAULIC CYLINDER COMPONENTS	
HINGE, ENGINE COMPARTMENT DOOR.....	1910-2	BOOM LIFT.....	3165-2
HINGE, INSTRUMENT PANEL.....	1816-2	HYDRAULIC CYLINDER COMPONENTS	
HOLDER (FUSE), INSTRUMENT PANEL.....	1676-6	BUCKET CYLINDER.....	3165-4
HOOD ISOLATOR, ENGINE COMPARTMENT.....	1910-2	HYDRAULIC CYLINDER COMPONENTS,	
HOOD SEALING TRIM, ENGINE COMPARTMENT.....	1910-2	MULTI-PURPOSE BUCKET.....	3165-6
HOOD, ENGINE COMPARTMENT.....	1910-2	HYDRAULIC CYLINDER, BOOM LIFT.....	3163-2
HOOK, COAT, CAB RIGHT SIDE.....	1810-8	HYDRAULIC CYLINDER, BUCKET - COMPLETE.....	3143-6
HOOK, COAT, CANOPY.....	1810-18	HYDRAULIC CYLINDER, MULTI-PURPOSE.....	3102-6
HORN.....	1674-6	HYDRAULIC CYLINDER, THREE SHANK RIPPER	
HORN SWITCH.....	1674-8	(COMplete).....	4201-4
HOSE, HYDRAULIC PUMP TO HYDROSTATIC		HYDRAULIC FAN DRIVE HOSE ROUTING.....	0510-10
MOTOR.....	0363-2	HYDRAULIC FAN DRIVE HOSES.....	0510-10
HOSE, HYDRAULIC SUPPLY.....	2163-4	HYDRAULIC FAN DRIVE MOTOR.....	0510-8
HOSE, PRESSURE, SOLENOID VALVE TO		HYDRAULIC FAN PUMP.....	0355-4
HYDRAULIC MANIFOLD.....	3163-10	HYDRAULIC FLUID DECAL.....	1322-2
HOSE, RADIATOR UPPER TANK.....	0510-2	HYDRAULIC FLUID LABEL.....	1322-2

## ALPHABETICAL INDEX - CONTINUED

	PAGE		PAGE
HYDRAULIC HOSES (RIPPER CONTROL LEVER TO CONTROL VALVE).....	4215-2	HYDROSTATIC PUMP RETURN HOSE.....	0363-8
HYDRAULIC HOSES, AUXILIARY PILOT CONTROLLER, REAR.....	4215-2	HYDROSTATIC PUMP ROTATE GROUP.....	0355-14
HYDRAULIC HOSES, RIPPER CONTROLS.....	4215-2	HYDROSTATIC PUMP SHAFT ROLLER BEARING.....	0355-12
HYDRAULIC LINES FOR CONVERSION KIT, STD BUCKET TO MULTI-PURPOSE BUCKET.....	3163-12	HYDROSTATIC PUMP TO CHARGE OIL FILTER HOSE.....	0363-8
HYDRAULIC LINES, FRONT AUXILIARY.....	3163-14	HYDROSTATIC PUMP, LEFT AND RIGHT.....	0355-2
HYDRAULIC LINES, MULTI-PURPOSE BUCKET.....	3163-12	HYDROSTATIC REAR PUMP SHAFT.....	0355-12
HYDRAULIC LOADER CONTROL DECAL.....	1322-2	HYDROSTATIC SERVO PISTON KIT.....	0355-12
HYDRAULIC LOADER CONTROL LABEL.....	1322-2	HYDROSTATIC SHAFT SEAL ASSEMBLY.....	0355-8
HYDRAULIC OIL FILTER.....	0360-10	HYDROSTATIC SIDE COVER INSERT.....	0355-12
HYDRAULIC OIL FILTER (IN HYDRAULIC RESERVOIR).....	2164-2	HYDROSTATIC SLIPPER GUIDE.....	0355-14
HYDRAULIC OIL FILTER HOUSING.....	0360-10	HYDROSTATIC SWASH PLATE GUIDE.....	0355-14
HYDRAULIC OIL RESERVOIR.....	2164-2		
HYDRAULIC OIL RETURN FILTER.....	2164-2	I	
HYDRAULIC OIL RETURN FILTER RESTRICTION BYPASS VALVE.....	2164-2	IDLE GEAR (UPPER).....	0401-3
HYDRAULIC OIL TEMPERATURE GAUGE.....	1676-4	IDLE GEAR (UPPER).....	0417-2
HYDRAULIC OIL TEMPERATURE SENSOR.....	1674-8	IDLER GUIDE.....	0133-6
HYDRAULIC OIL TEMPERATURE SENSOR.....	1674-10	IDLER WITH BRACKETS.....	0133-6
HYDRAULIC PUMP HOSE.....	0363-2	IDLER, FRONT TRACK CHAIN.....	0133-6
HYDRAULIC PUMP TO CONTROL VALVE HOSE.....	2163-4	IDLER, SHAFT.....	0133-6
HYDRAULIC PUMP, MAIN.....	0355-6	IGNITION KEY.....	1676-2
HYDRAULIC RETURN OIL FILTER RESTRICTION SWITCH.....	1674-6	IGNITION SWITCH.....	1676-2
HYDRAULIC RIPPER CONTROL LEVER.....	4215-2	IGNITION SWITCH COVER.....	1676-2
HYDRAULIC RIPPER CONTROL LEVER HOSES.....	4215-2	IGNITION SWITCH SEAL.....	1676-2
HYDRAULIC RIPPER JOYSTICK.....	4215-2	IMPORTANT DECAL.....	1322-2
HYDRAULIC SUPPLY HOSE.....	2163-4	INDICATOR LIGHT BULBS, INSTRUMENT PANEL.....	1676-4
HYDROSTATIC CASE DRAIN FILTER.....	2164-2	INDICATOR LIGHT REPLENISHING OIL FILTER CONTAMINATION.....	1676-4
HYDROSTATIC CHARGE PUMP, LEFT.....	0355-4	INDICATOR LIGHTS, INSTRUMENT PANEL.....	1676-4
HYDROSTATIC CHARGE PUMP, RIGHT.....	0355-6	INJECTION NOZZLE.....	0413-6
HYDROSTATIC CYLINDER BLOCK ASSEMBLY.....	0355-14	INJECTION-FUEL PUMP, STANADYNE DE10 SERVICE KITS.....	0413-4
HYDROSTATIC CYLINDER BLOCK KIT.....	0355-14	INJECTION-FUEL SYSTEM.....	0413-2
HYDROSTATIC DRIVE MOTOR COMPONENTS.....	0360-4	INPUT GEAR, FINAL DRIVE.....	0201-2
HYDROSTATIC DRIVE MOTOR HOSES.....	0363-2	INPUT GEAR, FINAL DRIVE (CONTINUED).....	0201-4
HYDROSTATIC DRIVE MOTOR, (COMPLETE REMAN).....	0360-2	INSTALLATION KIT, RADIO.....	2001-2
HYDROSTATIC FORWARD, NEUTRAL, REVERSE CONTROLLER.....	0315-2	INSTRUMENT CONTROL PANEL (COMPLETE).....	1674-4
HYDROSTATIC FRONT PUMP SHAFT.....	0355-12	INSTRUMENT LIGHT FUSE.....	
HYDROSTATIC HIGH PRESSURE RELIEF VALVE.....	0355-14	ROPS.....	1674-16
HYDROSTATIC MOTOR CONTROL PISTON.....	0360-4	INSTRUMENT PANEL (COMPONENT PARTS).....	1816-2
HYDROSTATIC MOTOR COVER.....	0360-4	INSTRUMENT PANEL BRACKET.....	1816-2
HYDROSTATIC MOTOR CYLINDER BLOCK.....	0360-4	INSTRUMENT PANEL DIODE PACK.....	1676-8
HYDROSTATIC MOTOR DRIVE SHAFT.....	0360-4	INSTRUMENT PANEL FUSE HOLDERS.....	1676-6
HYDROSTATIC MOTOR HOUSING.....	0360-4	INSTRUMENT PANEL FUSES.....	1676-6
HYDROSTATIC MOTOR REGULATOR VALVE.....	0360-6	INSTRUMENT PANEL GASKETS.....	1816-2
HYDROSTATIC MOTOR REGULATOR VALVE HOUSING.....	0360-6	INSTRUMENT PANEL GAUGES.....	1676-4
HYDROSTATIC MOTOR SPEED RING.....	0360-4	INSTRUMENT PANEL HINGE.....	1816-2
HYDROSTATIC MOTOR SPEED SENSOR.....	0360-4	INSTRUMENT PANEL INDICATOR LIGHTS.....	1676-4
HYDROSTATIC MOTOR SWASH PLATE.....	0360-4	INSTRUMENT PANEL PIN SOCKET.....	1816-2
HYDROSTATIC OIL FILTER.....	0360-10	INSTRUMENT PANEL PLATE.....	1816-2
HYDROSTATIC PISTON ASSEMBLY.....	0355-14	INSTRUMENT PANEL PLUGS.....	1676-2
HYDROSTATIC PUMP COMPRESSION SPRING.....	0355-12	INSTRUMENT PANEL RELAYS.....	1676-8
HYDROSTATIC PUMP DISPLACEMENT CONTROL VALVE.....	0355-16	INSTRUMENT PANEL SEALS.....	1816-2
HYDROSTATIC PUMP END CAP ASSEMBLY.....	0355-10	INSTRUMENT PANEL SOCKET.....	1816-2
HYDROSTATIC PUMP END CAP GASKET.....	0355-10	INSTRUMENT PANEL SWITCHES.....	1676-2
HYDROSTATIC PUMP INTERNAL COMPONENTS.....	0355-10	INSTRUMENT PANEL WIRE HARNESS CONNECTOR.....	1816-2
HYDROSTATIC PUMP LEVELER.....	0355-12	INTAKE MANIFOLD.....	0414-1
HYDROSTATIC PUMP PRESSURE CONTROL PILOT VALVE.....	0355-16	INTAKE MANIFOLD GASKET.....	0414-1
HYDROSTATIC PUMP RETAINING PLATE.....	0355-8	INTAKE, WATER PUMP.....	0417-4
		INTERMEDIATE HOUSING (ENGINE OIL COOLER).....	0419-2
		ISOLATOR, CAB MOUNT.....	1812-6
		ISOLATOR, CAB SLIDING SIDE WINDOW.....	1814-10

## ALPHABETICAL INDEX - CONTINUED

	PAGE		PAGE
ISOLATOR, CAB WINDOW GLASS AND WEATHER STRIP .....	1814-6	LATCH COVER AND CAB HEAD LINER, CAB DOOR .....	1813-4
ISOLATOR, ENGINE COMPARTMENT HOOD .....	1910-2	LATCH, CAB SLIDING SIDE WINDOW .....	1814-10
ISOLATOR, FLOOR PLATE, CANOPY .....	1812-12	LATCH, CAB STORAGE COMPARTMENT .....	1810-10
ISOLATORS, CAB MOUNT .....	1812-2	LATCH, DOOR .....	1813-2
ISOLATORS, ENGINE MOUNTING .....	0540-2	LATCH, STORAGE COMPARTMENT .....	1740-4
		LATCH, STORAGE COMPARTMENT, RIGHT .....	1740-6
<b>J</b>		LEAPING DEER, REAR GRILLE LABEL .....	1322-2
JAW COMPONENT PARTS, FRONT,		LEAPING DEERE DECAL .....	1322-2
MULTI-PURPOSE BUCKET .....	3102-10	LEFT DOOR HINGE .....	1810-16
JAW, MULTI-PURPOSE BUCKET .....	3102-6	LEFT FOOTBOARD .....	1740-4
JET, REAR WINDSHIELD WIPER .....	1814-4	LEFT HYDROSTATIC PUMP .....	0355-2
JOYSTICK, RIPPER CONTROLS .....	4215-2	LEFT TRAVEL FORWARD PRESSURE TEST HOSE .....	0363-2
JOYSTICK, RIPPER CONTROLS, HYDRAULIC HOSES .....	4215-2	LEFT TRAVEL REVERSE PRESSURE TEST HOSE .....	0363-2
		LEG CUSHION .....	1812-4
<b>K</b>		LEVELER, HYDROSTATIC PUMP .....	0355-12
KEY, CAB SIDE COMPARTMENT DOOR .....	1913-4	LEVER HANDLE, RIPPER CONTROL .....	4215-2
KEY, DOOR .....	1676-2	LEVER, OPERATOR STATION HYDRAULIC TILT .....	1812-8
KEY, IGNITION .....	1676-2	LEVER, PARK BRAKE, CANOPY .....	1810-22
KEYS, ENGINE COMPARTMENT DOOR .....	1910-2	LEVER, PARK LOCK, CAB .....	1812-4
KIT-OVERHAUL, ENGINE .....	0452-4	LEVER, PILOT CONTROL .....	3163-4
KIT, FASTENERS, WINDSHIELD WIPER (FRONT) .....	1814-2	LEVER, RIPPER HYDRAULIC CONTROL .....	4215-2
KIT, FNR STEERING TO SINGLE LEVER STEERING .....	0315-4	LEVER, V-PATTERN CONTROL .....	0315-2
KIT, FOWARD, NUETRAL, REVERSE STEERING TO SINGLE LEVER STEERING .....	0315-4	LIFT CHECK VALVE .....	2163-10
KIT, HYDROSTATIC CYLINDER BLOCK .....	0355-14	LIFT CYLINDER LOCK SUPPORT, BOOM .....	3165-8
KIT, HYDROSTATIC SERVO PISTON .....	0355-12	LIFT CYLINDER, BOOM, (COMPONENTS) .....	3165-2
KIT, SINGLE LEVER JOYSTICK CONVERSION .....	0315-4	LIGHT, DOME .....	1674-14
KIT, SINGLE LEVER STEERING TO FNR STEERING .....	0315-6	LIGHT, OPERATOR WARNING .....	1674-20
KIT, SINGLE LEVER STEERING TO FOWARD, NUETRAL, REVERSE STEERING .....	0315-6	LIGHTS, CAB WORK .....	1673-2
KIT, SINGLE LEVER STEERING TO V-PATTERN STEERING .....	0315-6	LIGHTS, WORK, CAB (OPTIONAL) .....	1673-4
KIT, V-PATTERN CONTROL CONVERSION .....	0315-6	LINE, AIR CONDITIONER HOSE .....	1833-8
KIT, V-PATTERN STEERING TO SINGLE LEVER STEERING .....	0315-4	LINE, OIL, BUCKET CYLINDER .....	3143-6
KITS-SERVICE, STANADYNE DE10, FUEL INJECTION PUMP .....	0413-4	LINER, CAB OVERHEAD, CAB DOOR LATCH COVER .....	1813-4
KITS, MAIN HYDRAULIC CONTROL VALVE SEAL .....	2163-10	LINES-OIL / ADAPTER / OIL FILTER .....	0407-6
KNOBS, A/C AND HEATER .....	1830-6	LINES, FRONT AUXILIARY HYDRAULIC .....	3163-14
		LINES, HYDRAULIC (MULTI-PURPOSE BUCKET) .....	3163-12
<b>L</b>		LINES, HYDRAULIC FAN DRIVE .....	0510-10
LABEL, ACCUMULATOR .....	1322-2	LINES, LOW PRESSURE (FUEL) .....	0420-8
LABEL, F32,F1 .....	1322-2	LINES, OPERATOR STATION HYDRAULIC TILT .....	1812-8
LABEL, HYDRAULIC FLUID .....	1322-2	LINK, TRACK CHAIN .....	0132-2
LABEL, HYDRAULIC LOADER CONTROL .....	1322-2	LINK, TRACK CHAIN MASTER .....	0132-2
LABEL, LIFT HOOK .....	4201-4	LINKAGE, LOADER BUCKET .....	3143-2
LABEL, PEDAL STEER-JOYSTICK .....	1322-2	LINKS, LOADER BOOM .....	3143-4
LABEL, REFLECTIVE .....	1322-2	LIQUID GASKET .....	1369-2
LABEL, SAFETY SIGN .....	1322-2	LOAD SENSE HOSE .....	2163-6
LABEL, WINDSHIELD WASHER .....	1322-2	LOAD SENSE SYSTEM RELIEF VALVE .....	2163-8
LABEL, 24 VOLT .....	1322-2	LOADER BOOM AND LINKS .....	3143-4
LABEL, 24 VOLT .....	1676-8	LOADER BUCKET LINKAGE AND PINS .....	3143-2
LABEL, 655C .....	1322-2	LOADER CONTROL VALVE HOSES .....	2163-2
LABELS .....	1322-2	LOCK, BOOM LIFT CYLINDER .....	3165-8
LABELS (FRENCH) .....	1322-6	LOCK, CAB DOOR .....	1810-8
LABELS (SPANISH) .....	1322-4	LOCK, CAB SIDE COMPARTMENT DOOR .....	1913-4
LAMPS, CAB WORK LIGHTS (OPTIONAL) .....	1673-4	LOCK, ENGINE COMPARTMENT DOOR .....	1910-2
		LOUVERS, A/C AND HEATER .....	1830-8
		LOW CHARGE PRESSURE SWITCH .....	1674-6
		LOW PRESSURE FUEL LINES .....	0420-8
		LOW RANGE SPEED SWITCH .....	1674-8
		LOW SPEED RANGE INDICATOR LIGHT .....	1676-4
		<b>M</b>	
		MADE FOR JOHN DEERE DECAL .....	1322-2
		MAIN FRAME ACCESS COVERS .....	1913-2
		MAIN FRAME CROSSMEMBER PLATE AND HARDWARE .....	1740-2

## ALPHABETICAL INDEX - CONTINUED

	PAGE		PAGE
MAIN HYDRAULIC CONTROL VALVE SOLENOIDS .....	2163-10	<b>O</b>	
MAIN HYDRAULIC CONTROL VALVE SPOOL.....	2163-10	OIL COOLER, ENGINE .....	0419-1
MAIN HYDRAULIC PUMP .....	0355-6	OIL COOLER, HYDRAULIC.....	0510-2
MAIN HYDRAULIC PUMP HOSES .....	2163-4	OIL COOLER, RADIATOR .....	0510-4
MAIN WIRING HARNESS COMPONENTS .....	1674-6	OIL DRAIN HOSE .....	2005-2
MAIN WIRING HARNESS COMPONENTS		OIL FILL TUBE AND CAP, SPLITTER DRIVE .....	0869-2
(CONTINUED).....	1674-8	OIL FILLER NECK (1201).....	0407-3
MAIN WIRING HARNESS COMPONENTS (PAGE 3).....	1674-10	OIL FILTER / ADAPTER / OIL LINES .....	0407-6
MAIN WIRING HARNESS, TCU, AND CONTROL		OIL FILTER HOUSING, HYDRAULIC .....	0360-10
UNIT .....	1674-4	OIL FILTER, HYDRAULIC.....	0360-10
MANIFOLD EXHAUST.....	0410-1	OIL FILTER, HYDROSTATIC.....	0360-10
MANIFOLD-INTAKE.....	0414-1	OIL LINE, BUCKET CYLINDER.....	3143-6
MASTER LINK, TRACK CHAIN.....	0132-2	OIL LINES / OIL FILTER / ADAPTER .....	0407-6
MASTER SHOE, TRACK CHAIN.....	0132-2	OIL LINES AND TURBOCHARGER.....	0416-2
MECHANICAL SUSPENSION SEAT COMPONENTS .....	1821-6	OIL LINES, BOOM LIFT CYLINDER.....	3163-2
METAL FACE SEAL.....	0133-6	OIL PAN .....	0407-2
METERING ORIFACE NOZZLE START AID .....	0505-2	OIL PAN PICK-UP TUBE .....	0407-2
MIRROR BRACKET, REAR VIEW .....	1810-6	OIL PRESSURE SENSOR, ENGINE.....	1674-3
MIRROR, REAR VIEW .....	1810-6	OIL PRESSURE SWITCH .....	1674-3
MIRROR, REARVIEW, CANOPY.....	1810-18	OIL PUMP .....	0407-5
MOTOR COVER, HYDROSTATIC .....	0360-4	OIL SEAL, REAR CRANKSHAFT.....	0433-2
MOTOR DRIVE SHAFT, HYDROSTATIC.....	0360-4	OPERATING CHARGE RELIEF VALVE.....	0360-4
MOTOR MOUNTS .....	0540-2	OPERATOR SEAT, AIR SUSPENSION .....	1821-4
MOTOR SHIFT SOLENOID VALVE .....	0360-6	OPERATOR SEAT, MECHANICAL SUSPENSION .....	1821-6
MOTOR, HYDRAULIC FAN DRIVE .....	0510-8	OPERATOR STATION FRONT MOUNTING LINK .....	1812-6
MOTOR, HYDROSTATIC .....	0360-4	OPERATOR STATION HYDRAULIC TILT .....	1812-8
MOTOR, HYDROSTATIC DRIVE		OPERATOR STATION HYDRAULIC TILT	
(COMPLETE REMAN) .....	0360-2	PLUMBING.....	1812-8
MOTOR, REAR WINDSHIELD WIPER.....	1814-4	OPERATOR STATION TILT CYLINDER AND	
MOTOR, ROTATING GROUP .....	0360-4	COMPONENTS .....	1812-10
MOTOR, WINDSHIELD WIPER (FRONT).....	1814-2	OPERATOR WARNING LIGHT.....	1674-20
MOUNT, CAB.....	1812-2	OPERATOR WARNING LIGHT FUSE .....	1674-14
MOUNTING BRACKET, A/C COMPRESSOR .....	1832-2	OPERATOR WARNING LIGHT FUSE	
MOUNTING BRACKET, FOOT PEDAL STEERING .....	0962-2	ROPS .....	1674-16
MOUNTING BRACKET, RADIO.....	2001-2	OPERATOR'S MANUAL COMPARTMENT .....	1810-10
MOUNTING BRACKETS, ENGINE .....	0540-2	OPERATOR'S SEAT .....	1821-2
MOUNTING PLATE, EVAPORATOR .....	1833-6	OPERATOR'S SEAT AIR RIDE WIRING HARNESS .....	1821-2
MOUNTING PLATE, FOOT PEDAL STEERING.....	0962-2	OPERATOR'S SEAT ARM REST.....	1821-2
MOUNTING, COOLING PACKAGE .....	0510-6	OPTIONAL CAB WORK LIGHTS.....	1673-4
MOUNTING, HEATER AND AIR CONDITIONER.....	1830-2	OPTIONAL CAB WORK LIGHTS WIRING,	
MOUNTS, CANOPY .....	1810-18	RELAYS, AND SWITCHES .....	1673-4
MUFFLER.....	0531-2	OPTIONAL CAB WORK LIGHTS, WIRING	
MULTI-PURPOSE BUCKET BLADE .....	3102-6	HARNESSES .....	1673-4
MULTI-PURPOSE BUCKET COMPONENTS.....	3102-6	OPTIONAL WORK LIGHTS WIRING COMPONENTS.....	1673-4
MULTI-PURPOSE BUCKET CONVERSION KIT,		ORIFACE NOZZLE, METERING START AID .....	0505-2
COMPLETE, (FOUR IN ONE).....	3102-6	ORIFICE, CONTROL VALVE .....	2163-8
MULTI-PURPOSE BUCKET CYLINDER		OUTER HOUSING FINAL DRIVE.....	0201-2
COMPONENTS.....	3165-6	OUTER HOUSING FINAL DRIVE	
MULTI-PURPOSE BUCKET CYLINDER GUARDS.....	3102-12	(CONTINUED).....	0201-4
MULTI-PURPOSE BUCKET FRONT JAW COMPONENT		OUTER HOUSING, FINAL DRIVE.....	0201-2
PARTS.....	3102-10	OUTER HOUSING, FINAL DRIVE	
MULTI-PURPOSE BUCKET HYDRAULIC LINES .....	3163-12	(CONTINUED).....	0201-4
MULTI-PURPOSE BUCKET JAW .....	3102-6	OVERHAUL KIT, ENGINE .....	0452-4
MULTIFUNCTION VALVE .....	0355-14	OVERHEAD PANEL WIRING HARNESS AND RELAYS.....	1674-12
		OVERHEAD PANEL WIRING HARNESS AND RELAYS	
		(ROPS).....	1674-16
<b>N</b>		<b>P</b>	
NEUTRAL CHARGE RELIEF VALVE .....	0363-4	PAD, LEG .....	1812-4
NEUTRAL CHARGE RELIEF VALVE .....	0363-6	PAN-OIL .....	0407-2
NOZZLE-INJECTION.....	0413-6	PANEL COMPONENT PARTS, INSTRUMENT.....	1816-2
NOZZLE, METERING ORIFACE START AID .....	0505-2	PANEL FUSES, INSTRUMENT .....	1676-6
NOZZLE, STARTING AID .....	0505-2	PANEL, WIRING HARNESS CANOPY .....	1674-16
NOZZLE, WINDSHIELD WIPER (FRONT).....	1814-2	PARK BRAKE DECAL.....	1322-2



## ALPHABETICAL INDEX - CONTINUED

	PAGE		PAGE
REFRIGERANT HOSE .....	1833-4	ROLLER (SINGLE- & DOUBLE-FLANGE), TRACK .....	0133-2
REFRIGERANT HOSE .....	1833-8	ROLLER BEARING, SPLITTER BOX .....	0841-4
REGULATOR, ALTERNATOR .....	1672-2	ROLLER SUPPORT, CARRIER .....	0133-10
RELAY (WARNING LIGHT), CAB OVERHEAD PANEL .....	1674-12	ROLLER WITH SHAFT, CARRIER .....	0133-10
RELAY (WARNING LIGHT), ROPS OVERHEAD PANEL .....	1674-16	ROPS CERTIFICATION DECAL .....	1322-2
RELAY (WORKING LIGHT), CAB OVERHEAD PANEL .....	1674-12	ROPS CERTIFICATION PLATE .....	1322-2
RELAY (WORKING LIGHT), ROPS OVERHEAD PANEL .....	1674-16	ROPS OVERHEAD PANEL WIRING HARNESS AND RELAYS .....	1674-16
RELAY, AIR CONDITIONING CONDENSER FAN .....	1675-2	ROPS OVERHEAD PANEL WORKING LIGHT RELAY .....	1674-16
RELAY, AIR CONDITIONING EVAPORATOR FAN .....	1675-2	ROTATE GROUP, HYDROSTATIC PUMP .....	0355-14
RELAY, CAB WORK LIGHTS (OPTIONAL) .....	1673-4	ROTATOR / VALVE / VALVE SEAT / SPRING .....	0409-2
RELAY, ELECTRONIC FAULT INDICATOR .....	1676-8	RUBBER MOUNTS, RADIATOR MOUNTING .....	0510-6
RELAY, FLOAT POSITION .....	1676-8		
RELAY, FUEL SHUTOFF SOLENOID .....	1676-8	S	
RELAY, POWER SUPPLY .....	1676-8	SAFETY LOCK .....	1812-4
RELAY, TRAVEL SPEED .....	1676-8	SAFETY SIGN DECAL .....	1322-2
RELAY, WARNING LIGHT .....	1674-12	SEAL ASSEMBLY HYDROSTATIC SHAFT .....	0355-8
RELAYS, INSTRUMENT PANEL .....	1676-8	SEAL KITS, MAIN HYDRAULIC CONTROL VALVE .....	2163-10
RELIEF SOLENOID, HYDRAULIC FAN DRIVE MOTOR .....	0510-8	SEAL TRIM, ENGINE COMPARTMENT DOOR .....	1910-2
RELIEF VALVE, CIRCUIT .....	2163-10	SEAL, FLANGED AXLE SHAFT SEAL .....	0201-2
RELIEF VALVE, HYDROSTATIC HIGH PRESSURE .....	0355-14	SEAL, FLANGED AXLE SHAFT SEAL (CONTINUED) .....	0201-4
RELIEF VALVE, LOAD SENSE .....	2163-8	SEAL, IGNITION SWITCH .....	1676-2
REMAN ENGINE BLOCK .....	0404-2	SEAL, METAL FACE .....	0133-6
REMAN HYDROSTATIC DRIVE MOTOR .....	0360-2	SEAL, REAR WINDSHIELD WIPER .....	1814-4
REPLENISHING OIL FILTER CONTAMINATION INDICATOR LIGHT .....	1676-4	SEALED TRACK CHAIN DRIVE SPROCKET .....	0132-6
RESERVOIR CAP, WINDOW WASHER .....	1814-8	SEALING TRIM, CAB DOOR LATCH AND HEAD LINER .....	1813-4
RESERVOIR, HYDRAULIC OIL .....	2164-2	SEALING TRIM, HEAT EXCHANGERS/BLOWERS (HEATER/AIR CONDITIONER) .....	1830-4
RESERVOIR, WINDSHIELD WASHER .....	1814-8	SEALS, CAB DOOR .....	1810-8
RETAINER, PARK BRAKE SPRING .....	0201-2	SEALS, INSTRUMENT PANEL .....	1816-2
RETAINER, PARK BRAKE SPRING (CONTINUED) .....	0201-4	SEALS, TRACK CHAIN .....	0132-2
RETAINER, REAR COUNTERWEIGHT .....	1749-2	SEAT BACKREST EXTENSION .....	1821-2
RETURN FILTER, HYDRAULIC OIL (IN HYDRAULIC RESERVOIR) .....	2164-2	SEAT BELT WARNING DECAL .....	1322-2
RETURN HOSE, SOLENOID VALVE TO RESERVOIR .....	3163-10	SEAT CUSHION, AIR SUSPENSION .....	1821-4
RETURN TO DIG SENSOR .....	1674-6	SEAT CUSHION, MECHANICAL SUSPENSION SEAT .....	1821-6
RETURN TO DIG, BUCKET CYLINDER .....	3143-6	SEAT EXTENSION, BACKREST .....	1821-2
RIGHT DOOR HINGE .....	1810-16	SEAT FRAME, AIR SUSPENSION .....	1821-4
RIGHT HYDROSTATIC PUMP .....	0355-2	SEAT FRAME, MECHANICAL SUSPENSION SEAT .....	1821-6
RIGHT TRAVEL FORWARD PRESSURE TEST HOSE .....	0363-2	SEAT HEADREST .....	1821-2
RIGHT TRAVEL REVERSE PRESSURE TEST HOSE .....	0363-2	SEAT LINKAGE, MECHANICAL SUSPENSION SEAT .....	1821-6
RIPPER AUXILIARY HYDRAULIC CONTROL .....	3163-6	SEAT SHOCK ABSORBER, AIR SUSPENSION .....	1821-4
RIPPER COMPONENTS, THREE SHANK .....	4201-4	SEAT SHOCK ABSORBER, MECHANICAL SUSPENSION SEAT .....	1821-6
RIPPER CONTROL LEVER .....	4215-2	SEAT SUSPENSION KIT, MECHANICAL SUSPENSION SEAT .....	1821-6
RIPPER CONTROL LEVER COMPONENTS .....	4215-2	SEAT SUSPENSION, AIR SUSPENSION .....	1821-4
RIPPER CONTROL LEVER HANDLE .....	4215-2	SEAT-VALVE / SPRING / ROTATOR / VALVE .....	0409-2
RIPPER CONTROLLER .....	4215-2	SEAT, AIR SUSPENSION COMPONENT PARTS .....	1821-4
RIPPER CONTROLS .....	4215-2	SEAT, MECHANICAL SUSPENSION .....	1821-6
RIPPER CYLINDER, THREE SHANK (COMPLETE) .....	4265-2	SEAT, OPERATOR'S .....	1821-2
RIPPER HYDRAULIC CONTROL LEVER .....	4215-2	SENDING UNIT, FUEL TANK .....	0564-2
RIPPER HYDRAULIC CONTROL LEVER HOSES .....	4215-2	SENSOR, BOOM HEIGHT KICKOUT .....	1674-6
RIPPER JOYSTICK CONTROL .....	4215-2	SENSOR, ENGINE OIL PRESSURE SENSOR .....	1674-3
RIPPER LEVER HOSES .....	4215-2	SENSOR, HEAT EXCHANGERS/BLOWERS (HEATER/AIR CONDITIONER) .....	1830-4
RIPPER LEVER, HYDRAULIC CONTROL .....	4215-2	SENSOR, HYDRAULIC OIL TEMPERATURE .....	1674-8
RIPPER, THREE SHANK (COMPLETE ASSEMBLY) .....	4201-2	SENSOR, HYDROSTATIC MOTOR SPEED .....	0360-4
ROCK GUARDS .....	0138-2	SENSOR, RETURN TO DIG .....	1674-6
ROCKER ARM / SHAFT / TAPPET / PUSH ROD .....	0402-2	SENSOR, WATER TEMPERATURE .....	1674-2
ROD GUIDE, BOOM LIFT CYLINDER .....	3165-2	SENSORS ENGINE (SPEED, WATER, AIR) .....	0578-2
ROD GUIDE, BUCKET CYLINDER .....	3165-4	SERIES II DECAL .....	1322-2
ROD GUIDE, MULTI-PURPOSE BUCKET .....	3165-6	SERPENTINE BELT (WITHOUT A/C) .....	0429-3
ROD, THREE SHANK RIPPER CYLINDER .....	4265-2	SERPENTINE BELT, (WITH A/C) .....	1832-2

## ALPHABETICAL INDEX - CONTINUED

	PAGE		PAGE
SERVICE DECAL .....	1322-2	SPRING, SWASH PLATE .....	0355-14
SERVICE DOOR .....	1913-4	SPRING, TRACK ADJUSTER COMPRESSION .....	0133-4
SERVICE TOOLS, BASIC .....	2005-2	SPROCKET GUARD, TRACK DRIVE .....	0132-4
SERVO PISTON KIT, HYDROSTATIC .....	0355-12	SPROCKET, TRACK CHAIN DRIVE .....	0132-6
SHADE CURTAIN, CAB FRONT .....	1810-6	STANDARD BUCKET .....	3102-2
SHADE CURTAIN, MIRROR, AND CAB MAT .....	1810-6	STANDARD BUCKET CUTTING EDGE .....	3102-4
SHAFT / TAPPET / PUSH ROD / ROCKER ARM .....	0402-2	STANDARD BUCKET WEAR PLATES .....	3102-4
SHAFT-BALANCER .....	0415-1	START AID, ETHER .....	0505-2
SHAFT, AUXILIARY PILOT CONTROLLER .....	4215-2	START KEY .....	1676-2
SHAFT, CAM .....	0404-2	STARTER .....	0422-1
SHAFT, CARRIER ROLLER .....	0133-10	STARTER CABLE .....	1671-2
SHAFT, HYDROSTATIC FRONT PUMP .....	0355-12	STARTER MOTOR .....	0422-1
SHAFT, HYDROSTATIC MOTOR .....	0360-4	STARTER SOLENOID .....	0422-1
SHAFT, HYDROSTATIC PUMP .....	0355-8	STARTING AID .....	0505-2
SHAFT, HYDROSTATIC REAR PUMP .....	0355-12	STARTING AID FLUID CYLINDER .....	0505-2
SHAFT, IDLER .....	0133-6	STARTING AID METERING ORIFACE ELBOW .....	0505-2
SHIELD, BOOM LIFT CYLINDER .....	3165-10	STARTING AID NOZZLE .....	0505-2
SHIELDS, BOTTOM .....	1913-2	STARTING AID SOLENOID .....	0505-2
SHIELDS, CANOPY .....	1810-22	STARTING AID, COLD WEATHER .....	0505-2
SHOCK ABSORBER, AIR SUSPENSION SEAT .....	1821-4	STEERING ASSEMBLY AND MOUNTING, FOOT PEDALS .....	0962-2
SHOCK ABSORBER, MECHANICAL SUSPENSION SEAT .....	1821-6	STEP, REAR .....	1921-2
SHOE, MASTER TRACK CHAIN .....	0132-2	STOP ENGINE WARNING LIGHT .....	1676-4
SHOES, TRACK CHAIN .....	0132-2	STOP SWITCH, EMERGENCY .....	1676-2
SHORT BLOCK .....	0404-4	STOP, CAB SLIDING SIDE WINDOW .....	1814-10
SIDE COMPARTMENT DOORS AND CYLINDERS .....	1913-4	STORAGE COMPARTMENT AND FOOTBOARD ASSEMBLY, RIGHT .....	1740-6
SIDE CONSOLE .....	1674-4	STORAGE COMPARTMENT AND FOOTBOARD, LEFT .....	1740-4
SIDE COVER INSERT, HYDROSTATIC .....	0355-12	STORAGE COMPARTMENT COVER, CAB .....	1810-12
SINGLE LEVER JOYSTICK CONVERSION KIT .....	0315-4	STORAGE COMPARTMENT, CAB .....	1810-10
SINGLE LEVER STEERING TO FNR STEERING KIT .....	0315-6	STORAGE COMPARTMENT, CANOPY .....	1810-20
SINGLE LEVER STEERING TO FOWARD, NUETRAL, REVERSE STEERING KIT .....	0315-6	STRAINER, FUEL .....	1740-4
SINGLE LEVER STEERING TO V-PATTERN STEERING KIT .....	0315-6	STRIP (WEATHER) AND GLASS WINDOW, CAB .....	1814-6
SINGLE-FLANGE TRACK ROLLER .....	0133-2	STRIP, WEAR .....	0131-2
SLIDE, FRONT CHAIN GUIDE .....	0131-2	SUPPLY HOSE, HYDRAULIC PUMP .....	2163-4
SLIDER, AIR SUSPENSION SEAT .....	1821-4	SUPPORT, BOOM LIFT CYLINDER LOCK .....	3165-8
SLIDING SIDE WINDOW, CAB .....	1814-10	SUPPORT, CARRIER ROLLER .....	0133-10
SLIPPER GUIDE, HYDROSTATIC .....	0355-14	SUPPORT, MAIN FRAME CROSSMEMBER PLATE .....	1740-2
SOCKET (PIN), INSTRUMENT PANEL .....	1816-2	SUSPENSION, SEAT, AIR .....	1821-4
SOCKET, INSTRUMENT PANEL .....	1816-2	SWASH PLATE GUIDE, HYDROSTATIC .....	0355-14
SOLENOID VALVE MANIFOLD .....	0360-8	SWASH PLATE LEVELING T-BAR COMPONENTS .....	0355-10
SOLENOID VALVES AND FRONT AUXILIARY PILOT HOSES .....	3163-10	SWASH PLATE SPRING .....	0355-14
SOLENOID, HYDROSTATIC MOTOR REGULATOR VALVE .....	0360-6	SWASH PLATE, HYDROSTATIC MOTOR .....	0360-4
SOLENOID, MOTOR SHIFT .....	0360-6	SWITCH, A/C AND HEATER .....	1830-6
SOLENOID, STARTING AID .....	0505-2	SWITCH, AIR CONDITIONING .....	1675-2
SOLENOIDS, MAIN HYDRAULIC CONTROL VALVE .....	2163-10	SWITCH, AIR SUSPENSION SEAT .....	1821-4
SPACER, REAR WINDSHIELD WIPER .....	1814-4	SWITCH, BOOM FLOAT POSITION .....	1676-2
SPANISH LABELS AND DECALS .....	1322-4	SWITCH, BOOM FLOAT POSITION INDICATOR LIGHT .....	1676-2
SPARE FUSES .....	2005-2	SWITCH, COOLANT TEMPERATURE .....	1674-8
SPEAKER BRACKETS, CAB .....	1810-14	SWITCH, EMERGENCY STOP .....	1676-2
SPEAKER COVER .....	1674-20	SWITCH, HYDRAULIC RETURN OIL FILTER RESTRICTION .....	1674-6
SPEAKER, RADIO .....	2001-2	SWITCH, IGNITION .....	1676-2
SPLITTER BOX .....	0841-4	SWITCH, OIL PRESSURE .....	1674-3
SPLITTER BOX COUPLER .....	0841-2	SWITCH, WINDSHIELD WIPER .....	1674-14
SPLITTER BOX DIPSTICK .....	0841-4	SWITCH, WORKING LIGHT .....	1674-14
SPLITTER DRIVE COUPLER .....	0841-2	SWITCHES, CAB WORK LIGHTS (OPTIONAL) .....	1673-4
SPLITTER DRIVE OIL FILL TUBE AND CAP .....	0869-2	SWITCHES, INSTRUMENT PANEL .....	1676-2
SPOOL, MAIN HYDRAULIC CONTROL VALVE .....	2163-10		
SPRING / ROTATOR / VALVE / VALVE SEAT .....	0409-2	T	
SPRING PIN, BRAKE PEDAL .....	1011-2	T-BAR, HYDROSTATIC PUMP .....	0355-10
SPRING PIN, FOOT PEDAL STEERING .....	0962-2	TANK, RADIATOR UPPER .....	0510-2
SPRING, BRAKE PEDAL STOP .....	1011-2	TAPPET / PUSH ROD / ROCKER ARM / SHAFT .....	0402-2
SPRING, HYDROSTATIC COMPRESSION .....	0355-12	TCL (TRANSMISSION CONTROL LEVER) .....	1674-4



## ALPHABETICAL INDEX - CONTINUED

	PAGE		PAGE
TCL MOUNTING PLATE.....	1812-2	TRAVEL SPEED RELAY.....	1676-8
TCU (TRANSMISSION CONTROL UNIT).....	1674-4	TRIM (SEALING), CAB DOOR LATCH AND HEAD LINER.....	1813-4
TCU COVER.....	1810-12	TRIM, CAB DOOR SEALS.....	1810-8
TCU, MAIN WIRING HARNESS, AND CONTROL UNIT.....	1674-4	TRIM, ENGINE COMPARTMENT DOOR SEAL.....	1910-2
TEETH ADAPTER, STANDARD BUCKET.....	3102-2	TURBOCHARGER AND OIL LINES.....	0416-2
TEETH, MULTI-PURPOSE BUCKET.....	3102-8		
TEETH, STANDARD BUCKET.....	3102-2	U	
TEMPERATURE GAUGE, ENGINE COOLANT.....	1676-4	UNIVERSAL FINAL DRIVE SHAFT.....	0201-2
TEMPERATURE GAUGE, HYDRAULIC OIL.....	1676-4	UNIVERSAL FINAL DRIVE SHAFT (CONTINUED).....	0201-4
TENSIONER, A/C COMPRESSOR BELT.....	1832-2		
TENSIONER, AUTOMATIC BELT.....	0429-2	V	
TENSIONER, TRACK CHAIN.....	0133-4	V-PATTERN CONTROL CONVERSION KIT.....	0315-6
TERMINAL, ELECTRICAL CONNECTOR.....	1816-2	V-PATTERN CONTROLLER.....	0315-2
TEST COUPLINGS, DIAGNOSTIC.....	1913-6	V-PATTERN STEERING TO SINGLE LEVER STEERING KIT.....	0315-4
TEST HOSE, CHARGE OIL PRESSURE.....	0363-6	VALVE / VALVE SEAT / SPRING / ROTATOR.....	0409-2
TEST HOSE, TRAVEL.....	0363-2	VALVE COVER.....	0402-3
THERMOSTAT.....	0418-3	VALVE COVER (CONVERSION PARTS).....	0402-4
THERMOSTAT COVER.....	0418-2	VALVE SEAL KITS, MAIN HYDRAULIC CONTROL.....	2163-10
THERMOSTAT, HEAT EXCHANGERS/BLOWERS (HEATER/AIR CONDITIONER).....	1830-4	VALVE SOLENOIDS, MAIN HYDRAULIC CONTROL.....	2163-10
THREE SHANK RIPPER (COMPLETE ASSEMBLY).....	4201-2	VALVE SPOOL, MAIN HYDRAULIC CONTROL.....	2163-10
THREE SHANK RIPPER COMPONENTS.....	4201-4	VALVE, (DRAIN), SPLITTER BOX.....	0841-4
THREE SHANK RIPPER CYLINDER COMPONENTS (COMPLETE).....	4265-2	VALVE, AIR CONDITIONING EXPANSION.....	1830-4
THREE SHANK RIPPER CYLINDER PISTON (COMPLETE).....	4265-2	VALVE, AUXILIARY CONTROL (FRONT AND REAR).....	3163-6
THREE SHANK RIPPER CYLINDER ROD.....	4265-2	VALVE, FLUSHING.....	0360-4
THREE SHANK RIPPER FRAME.....	4201-4	VALVE, HEAT EXCHANGER/BLOWERS (HEATER/AIR CONDITIONER).....	1830-4
THREE SHANK RIPPER HYDRAULIC CYLINDER (COMPLETE).....	4201-4	VALVE, HYDRAULIC OIL FILTER RESTRICTION BYPASS.....	2164-2
TIE BOLT, HYDRAULIC CONTROL VALVE.....	2163-10	VALVE, HYDROSTATIC MOTOR REGULATOR.....	0360-6
TIE DOWN POINTS DECAL.....	1322-2	VALVE, HYDROSTATIC PUMP DISPLACEMENT CONTROL.....	0355-16
TIMING GEAR COVER.....	0417-2	VALVE, HYDROSTATIC PUMP PRESSURE CONTROL PILOT.....	0355-16
TIMING WHEEL (ENGINE).....	0401-2	VALVE, LOAD SENSE SYSTEM RELIEF.....	2163-8
TOOL CARRIER, THREE SHANK RIPPER.....	4201-4	VALVE, MULTIFUNCTION.....	0355-14
TOOLBOX, LEFT.....	1740-4	VALVE, OPERATING CHARGE RELIEF.....	0360-4
TOOLBOX, RIGHT.....	1740-6	VALVE, PARK BRAKE.....	0360-8
TOOTH ADAPTER, MULTI-PURPOSE BUCKET.....	3102-8	VALVE, PILOT ENABLE.....	0360-8
TOOTH ADAPTER, STANDARD BUCKET.....	3102-2	VALVE, TRACK ADJUSTER RELIEF OR CHECK.....	0133-4
TOOTH, MULTI-PURPOSE BUCKET.....	3102-8	VALVE, WINDOW WASHER HOSE.....	1814-8
TRACK ADJUSTER.....	0133-4	VANDALISM COVER, INSTRUMENT PANEL CANOPY.....	1816-2
TRACK ADJUSTER PISTON.....	0133-4	VAPOR CONDENSER ASSEMBLY,AIR CONDITIONER.....	1833-4
TRACK ADJUSTER RELIEF OR CHECK VALVE.....	0133-4	VAPOR CONDENSER, A/C.....	1833-2
TRACK ADJUSTER SPRING COMPRESSION.....	0133-4	VAPOR CONDENSER, A/C (COMPLETE).....	1810-2
TRACK ADJUSTER YOKE.....	0133-4	VENT DUCT FILTER ELEMENTS, A/C & HEATER.....	1830-8
TRACK CHAIN ASSEMBLY WITH SHOES.....	0132-2	VENT DUCT FRAME, A/C AND HEATER.....	1830-8
TRACK CHAIN ASSEMBLY WITHOUT SHOES.....	0132-2	VENT DUCTS, A/C AND HEATER.....	1830-8
TRACK CHAIN BUSHING.....	0132-2		
TRACK CHAIN BUSHINGS.....	0132-2	W	
TRACK CHAIN DRIVE SPROCKET.....	0132-6	WARNING LIGHT RELAY, CAB OVERHEAD PANEL.....	1674-12
TRACK CHAIN LINK.....	0132-2	WARNING LIGHT RELAY, ROPS OVERHEAD PANEL.....	1674-16
TRACK CHAIN MASTER LINK.....	0132-2	WARNING LIGHT, OPERATOR.....	1674-20
TRACK CHAIN MASTER SHOE.....	0132-2	WASHER HOSES, WINDOW.....	1814-8
TRACK CHAIN PINS.....	0132-2	WATER COOLER, RADIATOR.....	0510-4
TRACK CHAIN SEALS.....	0132-2	WATER PUMP.....	0417-2
TRACK CHAIN SHOES.....	0132-2	WATER PUMP INTAKE.....	0417-4
TRACK CHAIN TENSION ADJUSTER.....	0133-4		
TRACK DRIVE SPROCKET GUARD.....	0132-4		
TRACK FRAME.....	0131-2		
TRACK FRAME COVERS.....	0133-8		
TRACK GUARDS.....	0138-2		
TRACK ROLLERS, SINGLE- & DOUBLE-FLANGE.....	0133-2		
TRANSFER DEVICE, ENGINE DRIVE SPLITTER.....	0841-4		
TRANSMISSION CONTROL LEVER, FORWARD, NEUTRAL, REVERSE.....	0315-2		
TRANSMISSION CONTROLLER.....	1674-4		

## ALPHABETICAL INDEX - CONTINUED

	PAGE	PAGE	
WATER PUMP PULLEY .....	0417-5	WIRING HARNESS, CAB OVERHEAD PANEL.....	1674-12
WATER TEMPERARURE SENSOR.....	1674-2	WIRING HARNESS, CAB WORK LIGHTS .....	1673-2
WEAR PLATE, MULTI-PURPOSE BUCKET FRONT		WIRING HARNESS, OPERATOR'S SEAT AIR RIDE .....	1821-2
JAW .....	3102-10	WIRING HARNESS, OPTIONAL CAB WORK	
WEAR PLATES, MULTI-PURPOSE BUCKET .....	3102-6	LIGHTS.....	1673-4
WEAR PLATES, STANDARD BUCKET .....	3102-4	WIRING HARNESS, ROPS OVERHEAD PANEL .....	1674-16
WEAR STRIP .....	0131-2	WIRING LEAD, CAB OVERHEAD PANEL .....	1674-12
WEATHER STRIP AND GLASS WINDOW, CAB.....	1814-6	WIRING LEAD, ROPS OVERHEAD PANEL .....	1674-16
WEATHER STRIP, RADIATOR AND RADIATOR		WIRING, OPTIONAL WORK LIGHTS.....	1673-4
MOUNTING.....	0510-6	WORK LIGHT FRAME, CAB.....	1810-14
WEIGHT, REAR .....	1749-2	WORK LIGHT FUSE	
WINDOW FRAME, SLIDING SIDE WINDOW .....	1814-10	ROPS .....	1674-16
WINDOW GLASS AND WEATHER STRIP, CAB.....	1814-6	WORK LIGHT FUSE, FRONT AND REAR .....	1674-14
WINDOW GUARD, SLIDING SIDE WINDOW .....	1814-10	WORK LIGHTS, CAB .....	1673-2
WINDOW GUIDE, SLIDING SIDE WINDOW .....	1814-10	WORK LIGHTS, CAB (OPTIONAL) .....	1673-4
WINDOW HANDLE, CAB SLIDING SIDE WINDOW .....	1814-10	WORKING LIGHT RELAY, CAB OVERHEAD PANEL .....	1674-12
WINDOW ISOLATOR, CAB SLIDING SIDE WINDOW .....	1814-10	WORKING LIGHT RELAY, ROPS OVERHEAD PANEL.....	1674-16
WINDOW LATCH, CAB SLIDING SIDE WINDOW .....	1814-10	WORKING LIGHT SWITCH .....	1674-14
WINDOW WASHER RESERVOIR.....	1814-8	WORKING LIGHT SWITCH	
WINDOW WASHER RESERVOIR CAP .....	1814-8	ROPS .....	1674-16
WINDOWPANE, CAB SLIDING SIDE WINDOW .....	1814-10		
WINDOWPANE, CAB WINDOW GLASS AND WEATHER		Y	
STRIP.....	1814-6	YOKE, TRACK ADJUSTER .....	0133-4
WINDSHIELD WASHER DECAL .....	1322-2		
WINDSHIELD WASHER HOSES .....	1814-8		
WINDSHIELD WASHER LABEL.....	1322-2		
WINDSHIELD WASHER RESERVOIR.....	1814-8		
WINDSHIELD WASHER RESERVOIR PUMP.....	1814-8		
WINDSHIELD WIPER ARM.....	1814-2		
WINDSHIELD WIPER ARM, REAR.....	1814-4		
WINDSHIELD WIPER BLADE (FRONT) .....	1814-2		
WINDSHIELD WIPER BLADE, REAR.....	1814-4		
WINDSHIELD WIPER CLAMP (FRONT).....	1814-2		
WINDSHIELD WIPER CLAMP, REAR .....	1814-4		
WINDSHIELD WIPER COMPONENT PARTS (REAR) .....	1814-4		
WINDSHIELD WIPER ELBOW FITTING (FRONT) .....	1814-2		
WINDSHIELD WIPER ELBOW FITTING, REAR.....	1814-4		
WINDSHIELD WIPER FRONT (COMPONENT			
PARTS).....	1814-2		
WINDSHIELD WIPER HOSE (FRONT).....	1814-2		
WINDSHIELD WIPER HOSE, REAR .....	1814-4		
WINDSHIELD WIPER JET, REAR.....	1814-4		
WINDSHIELD WIPER MOTOR (FRONT).....	1814-2		
WINDSHIELD WIPER MOTOR COVER, CAB.....	1810-14		
WINDSHIELD WIPER MOTOR, REAR.....	1814-4		
WINDSHIELD WIPER NOZZLE (FRONT).....	1814-2		
WINDSHIELD WIPER SEAL, REAR .....	1814-4		
WINDSHIELD WIPER SPACER, REAR .....	1814-4		
WINDSHIELD WIPER/WASHER SWITCHES .....	1674-14		
WINDSHIELD WIPERAND WASHER FUSE			
FRONT AND REAR .....	1674-14		
WIPER ARM, REAR WINDSHIELD.....	1814-4		
WIPER ARM, WINDSHIELD WIPER (FRONT) .....	1814-2		
WIPER BLADE, REAR WINDSHIELD .....	1814-4		
WIPER BLADE, WINDSHIELD WIPER (FRONT) .....	1814-2		
WIPER COMPONENT PARTS, REAR WINDSHIELD .....	1814-4		
WIPER FRONT WINDSHIELD (COMPONENT			
PARTS).....	1814-2		
WIPER JET, REAR WINDSHIELD.....	1814-4		
WIPER MOTOR COVER, CAB .....	1810-14		
WIPER MOTOR, REAR WINDSHIELD.....	1814-4		
WIRE HARNESS CONNECTOR, INSTRUMENT			
PANEL.....	1816-2		
WIRE HARNESS, BACKUP ALARM .....	2004-2		
WIRING HARNESS, A/C CONDENSER .....	1833-2		
WIRING HARNESS, AIR CONDITIONING.....	1675-2		
WIRING HARNESS, ALTERNATOR .....	1672-2		

# 0131-1

WHEELS, TIRES & TRACKS 1

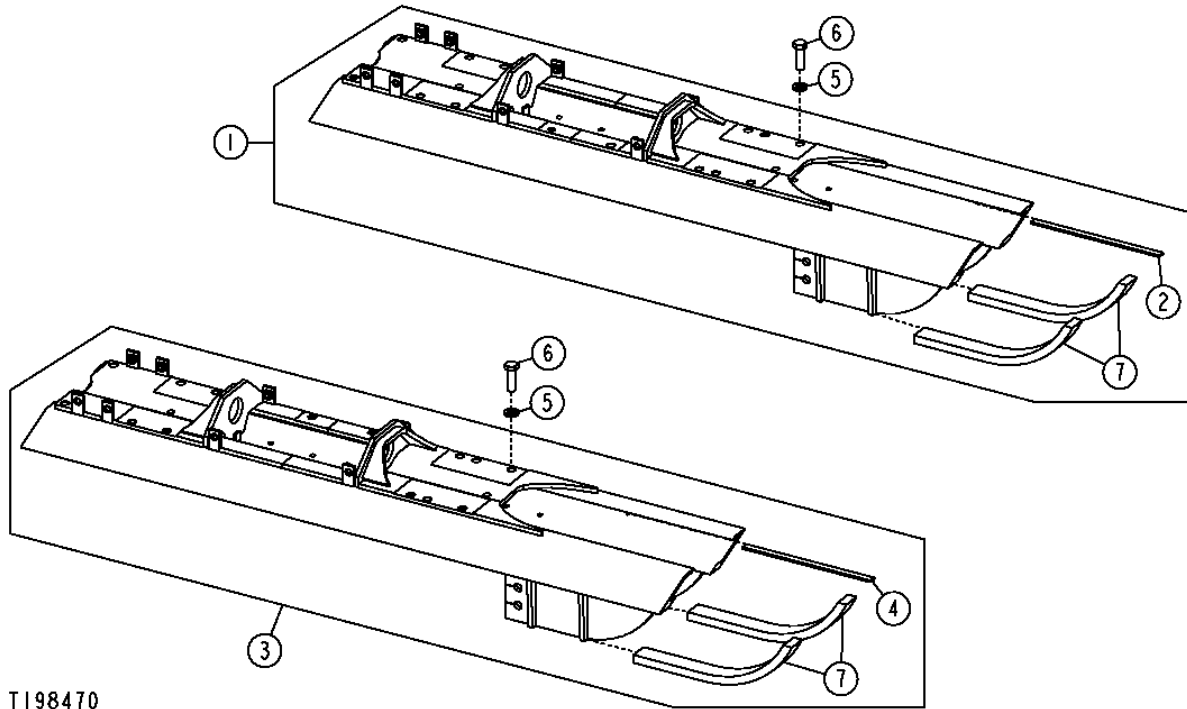
TRACK FRAMES AND UNDERCARRIAGE 0131

MEMORANDA  
MEMORANDA  
MEMORANDA

# 0131-2

## TRACK FRAME BATI DE CHENILLE BASTIDOR DE CADENAS

T198470 -UN-16MAR04



T198470

# 0131-3

WHEELS, TIRES & TRACKS 1

TRACK FRAMES AND UNDERCARRIAGE 0131

## TRACK FRAME BATI DE CHENILLE BASTIDOR DE CADENAS

KEY	PART NO.	PART NAME	QTY.	SERIAL NO.	REMARKS
1	AT210880	FRAME	1		(A) (C) (LH)
2	T105530	REINFORCEMENT	2		(B)
3	AT211481	FRAME	1		(A) (C) (RH)
4	T105530	REINFORCEMENT	2		(B)
5	T83426	WASHER	20		
6	19M8224	CAP SCREW	20		M20 X 60
7	T204192	GUIDE	4		(WELDED ON COMPONENT) (FRONT CHAIN GUIDE SLIDE) (COMPOSANT SOUDE) (COMPONENTES SOLDADO) (COULISSE DE GUIDE DE CHAINE AVANT) (DESLIZADOR GUIA DE CADENA DELANTERA)

(A) CONVENIENCE ASSEMBLY  
(A) ENSEMBLE AUXILIAIRE  
(A) CONJUNTO DE COMODIDAD

(B) WEAR  
(B) FROTTEMENT  
(B) DESGASTE

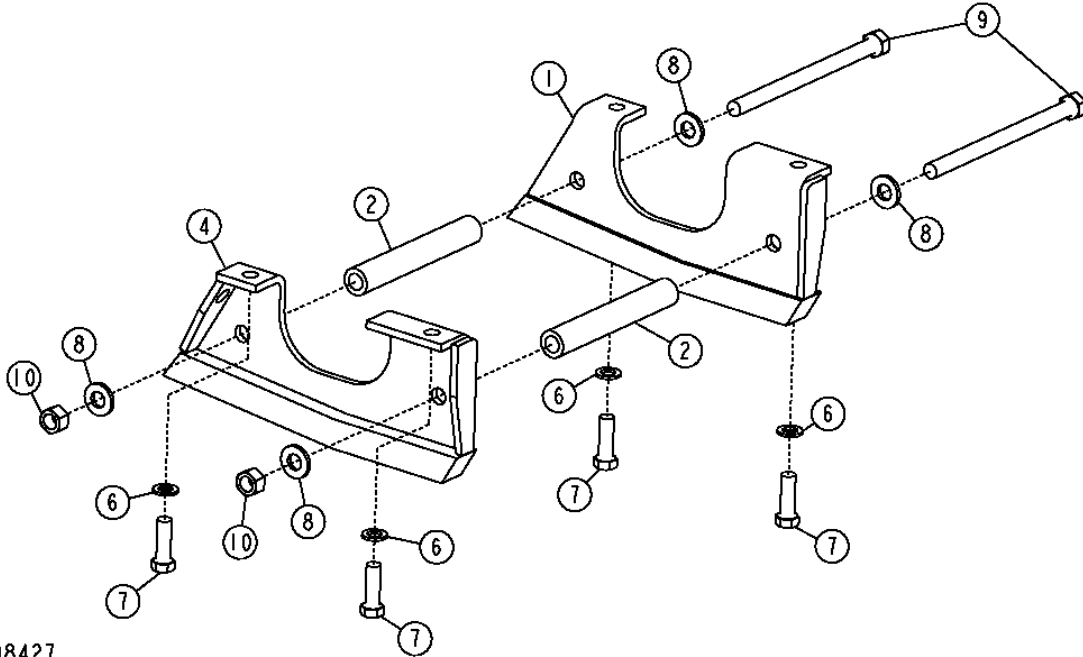
(C) TRACK  
(C) CHENILLE  
(C) ORUGA

# 0131-4

## CHAIN GUIDES GUIDES DE CHAÎNE GUIAS DE CADENA

T198427

-UN-07APR04



T198427

This as a preview PDF file from [best-manuals.com](http://best-manuals.com)



Download full PDF manual at [best-manuals.com](http://best-manuals.com)