

LEXION 485 / R

CLAAS

(C56800011 - C56899999)

Parts Catalog

Combine



Service & Parts

LEXION 485 / R

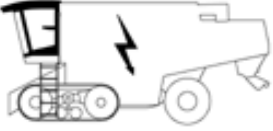
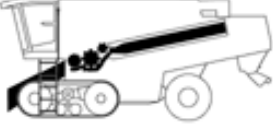


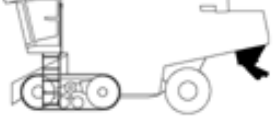


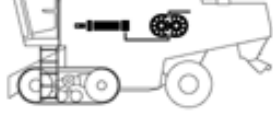

Picture	Description
	Drivers platform
	threshing mechanism
	Cleaning
	Grain delivery
	Straw discharge
	drives
	Engine housing
	Hydraulics
	Engine

Table of Content

- LEXION 485/R Parts Catalog 11**
- Drivers platform 13**
 - Cabin 14**
 - CAB, FRONT 18
 - WINDSCREEN WASHER 20
 - CAB, REAR PANEL 22
 - CAB, LINING 24
 - CABSIDE, RIGHT HAND WITH DOOR 26
 - CAB, SIDE PANEL, L.H. - DOOR 28
 - CAB, ROOF 31
 - CAB, MOUNTING PARTS 42
 - CAB HEATER 44
 - AIR CONDITIONER 50
 - AUTOMATIC AIR CONDITIONING 52
 - AIR CONDITIONER, COMPRESSOR 54
 - "SANDEN" COMPRESSOR FOR AIR CONDITIONING 60
 - AIR CONDITIONER, CONDENSER 62
 - Drivers platform 65**
 - RAILING WITH MIRROR 69
 - OPERATER'S PLATFORM 72
 - SEAT SUPPORT 74
 - DRIVERS SEAT, PNEUMATICALLY ADJUSTABLE 76
 - DRIVER'S SEAT, MECHANICALLY ADJUSTABLE 84
 - PASSENGER SEAT 88
 - STEERING COLUMN 90
 - STEERING COLUMN COVERING 95
 - GROUND DRIVE CONTROL 99
 - BRAKE GP. 104
 - FOOT BRAKE CONTROL 106
 - FOOT BRAKE CONTROL, BRAKE LINES 108
 - GEAR SHIFT ASSEMBLY 110
 - Electrics 111**
 - CENTRAL ELECTRICS 121
 - CENTRAL ELECTR. (PRINTED CIRCUIT BOARD) 124
 - CENTRAL ELECTRICS, RELAYS AND FUSES 131
 - CENTRAL ELECTRICS, PLUG-IN TYPE MODULE 135

CONNECTORS ON CENTRAL ELECTRICS.....	141
SWITCHES ON CONTROL PANEL.....	143
SWITCHES IN CAB ROOF.....	149
ELECTRIC POWER SUPPLY.....	151
"CEBIS" OPERATING AND INDICATOR SYSTEM.....	154
SAT-RECEIVER / SAT-ANTENNA.....	158
PRINTER FOR "CEBIS".....	160
"IMO" OPERATING AND INDICATOR SYSTEM.....	162
POSITION INDICATOR, CUTTERBAR CYLINDER.....	165
POSITION INDICATOR, FEEDER HOUSING.....	169
POSITION INDICATOR, THRESHING CONCAVE.....	173
POSITION INDICATOR, THRESHING CONCAVE,.....	175
POSITION INDICATOR, THRESHING CONCAVE.....	177
ELECTRICS, PERFORMANCE MONITOR.....	179
ELECTRICS, L.H. MAIN WIRING LOOM CONNEC.....	184
ELECTRICS, GRAIN TANK.....	186
ELECTRICS, QUANTIMETER - MOISTURE SENSOR.....	189
ELECTRICS, QUANTIMETER - HILLSIDE ANGLE SENSOR.....	194
ELECTRICS, QUANTIMETER - YIELD METER.....	198
ELECTRICS, QUANTIMETER.....	200
ELECTR. COLLECTION OF TAILINGS QUANTITY.....	203
ELECTRICS, MULTIFUNCTION LEVER.....	205
ELECTRICS, SERVO SHIFT ASSEMBLY.....	211
ELECTRICS, STEERING COLUMN.....	213
RADIO CONNECTION IN CAB ROOF.....	217
REAR VIEW MIRROR, ELECTICALLY ADJUSTABLE.....	219
ELECTRICS, FEEDER HOUSING.....	221
ELECTRICS, QUICK-CONNECT PLUG.....	223
ELECTRICS, L.H. MAIN WIRING LOOM CONNEC.....	225
ELECTRICS, SIEVE ADJUSTMENT.....	229
ELECTRICS, R.H. MAIN WIRING LOOM CONNEC.....	233
ELECTRICS, L.H. MAIN WIRING LOOM CONNEC.....	235
ELECTRICS, CLAAS AUTOPILOT.....	239
ENGINE ELECTRICS,.....	243
ENGINE ELECTRICS.....	246
ELECTRICS, AIR CONDITIONING SYSTEM.....	249
ELECTRICS, L.H. MAIN WIRING LOOM CONNEC.....	251
ELECTRICS, R.H. MAIN WIRING LOOM CONNEC.....	253
ELECTRICS, HYDRAULIC CONTROLS.....	256

ELECTRICS, HYDRAULIC CONTROLS, LOW PRES.....	258
ELECTRICS, BRAKE RESTRICTOR VALVE.....	260
ELECTRICS, TENSION OF CRAWLER BAND.....	262
TERMINALS AND CONNECTORS.....	264
WIRING LOOM / HARNESS FASTENERS.....	270
FRONT LIGHTING AND PLATFORM ELECTRICS.....	274
CAB LIGHTING.....	277
YELLOW WARNING BEACONS.....	279
ELECTRICS, L.H. MAIN WIRING LOOM CONNEC.....	281
FLASH LIGHT L.H.....	283
FLASH LIGHT R.H.....	285
Threshing mechanism.....	287
Feeder channel.....	288
FEEDER HOUSING.....	290
FEEDER HOUSE, ANTI-WRAPPING DEVICES, WEA.....	293
FEEDER HOUSING; CONVEYOR SHAFT AND CHAIN.....	295
FEEDER HOUSING; ROLLER.....	297
FEEDER HOUSING; GUIDE ROLLER.....	299
FEEDER HOUSING; SUPPORT ROLLER.....	301
FEEDER HOUSING; COUNTERSHAFT.....	303
FEEDER HOUSING, HEADER REVERSER.....	305
SIDE PANELLING, L.H.....	307
Drum house.....	308
DRUM INSPECTION COVER.....	312
STONE THROUG.....	314
LUBRICATING LINES, L.H.....	318
LUBRICATING LINES, R.H.....	320
INSPECTION DOORS.....	322
ACCELERATOR.....	324
THRESHING DRUM / AM.CYLINDER.....	326
SPIKE TOOTH THRESHING DRUM.....	329
PRE-CONCAVE.....	331
DISAWNING.....	335
PRE-CONCAVE FOR RICE.....	339
CONCAVE.....	341
SPIKE TOOTH CONCAVE.....	343
CONCAVE ADJUSTMENT, L.H.....	345
CONCAVE ADJUSTMENT, R.H.....	347

IMPELLER DRUM	349
Axial threshing unit	350
ROTOR FEED HEAD	352
BEARING ARMS FOR ROTORS	354
ROTORS	356
ROTOR HOUSING	360
DISCHARGE HOUSING	362
DISCHARGE CHUTE	364
Cleaning	365
Conveyor floor	366
PREPARATION FLOOR	368
STEP FLOOR	371
PREPARATION FLOOR DEFLECTORS	373
ROCKER ARM	375
Return floor	376
RETURN PAN	378
Sieve box	379
SIEVE FRAME SUSPENSION	382
TOP SIEVE LINKING	384
SIEVE PAN	389
SIEVE FRAM	392
SIEVES	394
ELECTRIC SIEVE ADJUSTMENT	397
MECHANICAL SIEVE ADJUSTMENT	401
ROCKER ARM DRIVE	403
Fan	405
FAN HOUSING	407
FAN	414
FAN BLAST REDUCTION KIT	416
FAN HOUSING	420
FAN AND ELEVATOR GUARDS	422
Grain delivery	423
Returns elevator	424
RETURNS AUGER	426
RETURNS ELEVATOR WITH FOOT	428
RETURNS ELEVATOR HEAD	431
RETURN OUTLET	434
Chaff spreader	435

CHAFF SPREADER, MOUNTING.....	437
CHAFF SPREADER, FAN.....	439
CHAFF SPREADER, APPROPRIATE FOR MAIZE.....	441
Guard Rail.....	443
Grain elevator.....	444
GRAIN AUGER.....	446
CLEAN GRAIN ELEVATOR WITH FOOT.....	449
CLEAN GRAIN ELEVATEUR HEAD.....	453
GRAIN TANK FILLING AUGER.....	457
Grain tank room.....	461
GRAIN TANK COVER.....	463
GRAIN TANK COVER ADJUSTMENT.....	465
GRAIN TANK EXTENSION.....	467
GRAIN TANK BOTTOM.....	469
GRAIN TANK SIDE PANELS.....	471
ELECTRIC BOX.....	473
Grain tank unloading.....	474
GRAIN TANK UNLOADING.....	477
GRAIN TANK UNLOADING TUBE SPECIAL.....	479
GRAIN TANK UNLOADING AUGERS.....	490
GREASE LINES TO GRAIN TANK UNLOAD. SYST.....	498
GRAIN TANK UNLOADING DRIVE.....	500
AUTOMATIC CHAIN LUBRICATION.....	505
CHAIN LUBRICATING PUMP.....	507
Straw discharge.....	508
Strawguide curtain.....	509
STRAW GUIDE APRON.....	511
Straw spreader.....	512
STRAW SPREADER.....	514
STRAW SPREADER, SIEVE COVER.....	516
STRAW SPREADER.....	518
Straw chopper.....	520
STRAW CHOPPER, BODY.....	523
NORTH-AMERICA CHOPPER BODY.....	525
STRAW CHOPPER, GUIDE PLATE.....	528
STRAW CHOPPER GUIDE PLAT., NORTH-AMERICA.....	530
STRAW CHOPPER, HINGED PLATE WITH DEFLEC.....	532
STRAW CHOPPER, CHOPPING UNIT.....	534

CHOPPING UNIT-KNIFE DRUM NIT, NORTH-AMER.....	537
STRAW CHOPPER, SPREADER UNIT.....	539
STRAW CHOPPER-SPREADER UNIT, NORTH-AMERI.....	541
STRAW CHOPPER, DEFLECTOR ADJUSTMENT.....	543
SIDE PANELLING, L.H.....	545
Drives.....	547
Threshing mechanism drive.....	548
COUNTERSHAFT.....	556
TENSION. FOR THRESH.MECHANISM DRIVE BELT.....	558
THRESHING MECHANISM DRIVE.....	560
IMPELLER DRUM DRIVE.....	563
DRUM VARIABLE SPEED DRIVE.....	566
THRESHING DRUM DRIVE.....	571
TENSIONER FOR THRESHING DRUM DRIVE BELT.....	573
THRESHING DRUM DRIVE WITH MOUNTINGS.....	575
SPEED REDUC.GEAR BOX F.THRESH.DRUM/DISAS.....	577
ACCELERATOR DRIVE.....	581
CLUTCH FOR CUTTERBAR DRIVE.....	583
CUTTERBAR DRIVE,.....	586
CUTTERBAR DRIVE, WITHOUT VARIABLE SPEED DRIVE.....	588
CUTTERBAR VARIABLE SPEED DRIVE.....	591
CUTTERBAR DRIVE, WITH VARIABLE SPEED DR.....	596
TENSIONER FOR HEADER DRIVE, W.VARIABLE S.....	598
CUTTERBAR DRIVE.....	600
HYDRAULIC REEL DRIVE.....	603
HYBRID DRIVE,.....	607
HYBRID INTERMEDIATE DRIVE.....	612
HYBRID DRIVE,.....	616
300 RPM.....	618
HYBRID STEP DRIVE,.....	620
HYBRID DRIVE,.....	622
HYBRID STEP DRIVE, GREASE PIPES.....	624
HYBRID VARIABLE SPEED DRIVE.....	626
HYBRID VARIABLE SPEED, GREASE PIPES.....	633
HYBRID DRIVE.....	635
GEARBOX, R.H., FOR ROTOR DRIVE.....	639
GEAR BOX L.H., FOR ROTOR DRIVE.....	641
SIEVE PAN DRIVE,.....	643
FAN DRIVE,.....	650


FAN INTERMEDIATE DRIVE	652
FAN SPEED ADJUSTMENT	654
FAN VARIABLE SPEED DRIVE	656
GRAIN TANK UNLOADING DRIVE	658
LOWER ANGLE DRIVE FOR GRAIN TANK UNLOADI	661
UPPER ANGLE DRIVE FOR GRAIN TANK UNLOADI	665
TENSIONER FOR CHOPPER DRIVE,	669
STRAW CHOPPER DRIVE,	671
HYDRAULIC PUMP DRIVE	678
DRIVE GP-FAN	680
ROTARY SCREEN DRIVE	684
DRIVE FOR SUCTION BLOWER FOR RADIATOR CH	689
Axle	690
DRIVE AXLE	694
GEAR SHIFT LINKAGE	697
GEARBOX	699
GROUND DRIVE TRANSMISSION; SERVO SHIFT A	702
DIFFERENTIAL	704
BRAKES	709
CRAWLER TRACK ASSEMBLY WITH DRIVE, L.H.	712
CRAWLER TRACK ASSEMBLY WITH DRIVE, R.H.	716
FRAME, L.H.	720
FRAME, R.H.	724
SUPPORT WHEEL ASSEMBLY	728
SUPPORT WHEELS	730
CRAWLER DRIVE, L.H.	732
CRAWLER DRIVE, R.H.	736
ROCKER ARM	739
REAR WHEEL DRIVE SYSTEM "MUD HOG",	743
REAR WHEEL DRIVE SYSTEM "MUD HOG", WHEEL	747
REAR WHEEL DRIVE SYSTEM "MUD HOG", VALVE	750
TRACK ROLLER UNIT	752
TIRES AND WHEELS	754
Engine housing	755
Climbing device	756
LADDER, FRONT	758
EXTENSION WITH RAILING	761
Drivers platform	762

OPERATER'S PLATFORM	764
Side panel	765
SIDE PANELLING, L.H.	769
PANELLING L. H. SIDE	771
SIDE PANELLING, L.H.	773
PANELLING L. H. SIDE	778
MOUNTING COLUMN, L.H.	780
SIDE PANELLING, L.H.	782
MUD GUARD R.H.	784
SIDE PANELLING, R.H.	786
ENGINE COVER	795
ENGINE COMPARTMENT BACK	799
REAR PLATFORM	803
REAR LADDER	808
LADDER HOOK-UP BAR	810
BRACKET FOR FUEL TANK	812
Rear hood	813
FEAR HOOD	815
GUARD RAIL	818
Sticker	819
DECALS, SAFETY SIGNS	821
DECALS, LUBRICATION POINTS	829
DECALS	831
Hydraulics	836
Hydraulic pumps	837
HYDRAULIC OIL TANK	839
COOLER GP-ENGINE OIL	844
HYDRAULIC PUMPS	846
FAN PUMP	851
HYDROSTATIC GROUND DRIVE	853
Hydraulic control valves	854
SOLENOID-OPERATED VALVE BLOCK (LOW PRES.	858
SOLENOID-OPERATED VALVE; MOISTURE METER.	861
SOLENOID VALVE BLOCK (LOW PRESSURE)	863
MAIN VALVE	865
DAMPING VALVE	868
VALVE GP-SOLENOID	883
PRESSURE RELIEF VALVE (.....	887

150 BAR)	889
PENDULUM CONTROL	891
FLOW CONTROL VALVE	893
SOLENOID VALVE WITH PISTON	895
Brake restrictor valve	897
Lifting cylinder	898
CONTROL CYLINDER, THRESHING MECHANISM	903
CONTROL CYLINDER, GRAIN TANK UNLOADING	907
CONTROL CYLINDER, STRAW CHOPPER	911
CONTROL CYLINDER, HEADER REVERSER	915
CUTTERBAR CYLINDER	917
CONTROL CYLINDER	921
HYDRAULIC CYLINDER; GRAIN TANK UNLOAD.T	935
CONTROL CYLINDER	937
HYDRAULIC CYLINDER; MOISTURE METER	940
CONTROL CYLINDER	942
STEERING CYLINDER	944
STEERING CYLINDER FOR AUTOPILOT	946
HYDRAULIC CYLINDER, TENSION OF TRACK BEL	950
Hydraulic lines	951
HYDRAULIC LINES, HIGH PRESSURE	960
HYDRAULIC LINES, LOW PRESSURE	1022
HYDRAULIC LINES; MOISTURE METER	1034
HYDRAULIC LINES, HYDR.CHAIN TENSION, GRAI	1036
HYDRAULIC LINES, LOW PRESSURE	1038
HYDRAULIC LINES, GROUND DRIVE SAUER MOT	1040
HYDRAULIC LINES; SERVO SHIFT ASSEMBLY	1044
HYDRAULIC LINES, OIL COOLING	1046
HYDRAULIC LINES, ROTARY SCREEN DRIVE	1050
HYDRAULIC LINES; BRAKE RESTRICTOR VALVE	1054
HYDRAULIC LINES, GROUND DRIVE SAUER MOT	1056
HYDRAULC LINES, STEERING	1058
HYDRAULIC LINES, TENSION OF TRACK BELT	1068
LINE CONNECTORS AND JOINTS	1073
LINE FASTENERS	1076
Engine	1078
Engine output drive	1079
ENGINE OUTPUT ASSEMBLY	1081

AUXILIARY GEARBOX	1085
Fuel tank	1089
FUEL TANK	1091
FUEL SYSTEM	1093
ENGINE CAT C12; FUEL SYSTEM, FUEL COOLER 1)	1095
ENGINE 3176-ATAAC; FUEL SYSTEM, FUEL CO 1)	1097
ENGINE CAT C12; FUEL SYSTEM, FUEL COOLER 1)	1099
Engine Accessories Caterpillar 3176-Ataa	1103
ENGINE	1105
ENGINE CAT C	1107
RADIATOR CHAFF SCREEN	1109
ROTARY SCREEN EXTRACTOR FAN	1111
RADIATOR CHAFF SCREEN	1113
ROTARY SCREEN EXTRACTOR FAN	1115
SUPPORT FOR RADIATOR ROTARY SCREEN	1117
AIR INTAKE HOUSING	1121
ENGINE CAT C12; AIR INTAKE HOUSING	1123
ENGINE 3176-ATAAC; COOLING SYSTEM 1)	1127
ENGINE CAT C12; COOLING WATER SYSTEM 1)	1131
ENGINE 3176-ATAAC; COOLING SYSTEM 1)	1135
ENGINE CAT C12; COOLING WATER SYSTEM 1)	1139
ENGINE 3176-ATAAC; COOLING WATER SYSTEM 1)	1141
ENGINE CAT C12; COMPENSATING TANK 1)	1143
ENGINE 3176-ATAAC; CHARGE AIR SYSTEM 1)	1146
ENGINE CAT C12; CHARGE AIR SYSTEM 1)	1148
ENGINE 3176-ATAAC; AIR FILTER SYSTEM W. 1)	1150
ENGINE CAT C	1157
ENGINE CAT C12; AIR FILTER SYSTEM W.DUS 1)	1162
ENGINE CAT C12; EXHAUST SYSTEM 1)	1164
ENGINE 3176-ATAAC; ALTERNATOR 1)	1166
BRUSH FOR RADIATOR ROTARY SCREEN	1168
Overview	1169
Drive belts and drive chains Parts list	1170
CHAIN AND BELT DRIVES	1172

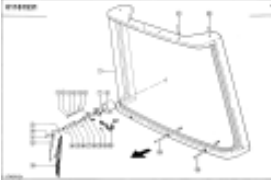
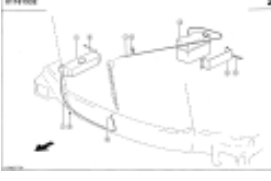

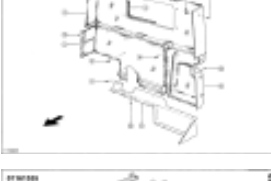




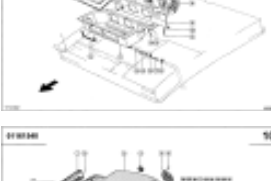

LEXION 485 / R

Picture	Description
	Overview


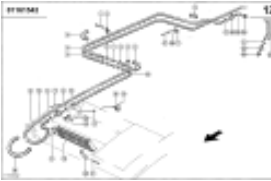
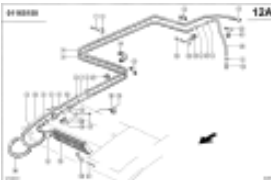
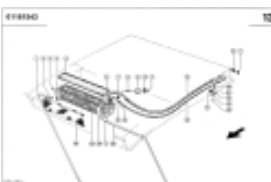
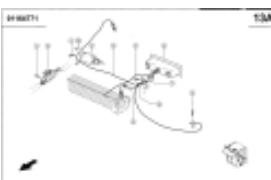
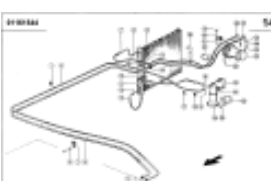
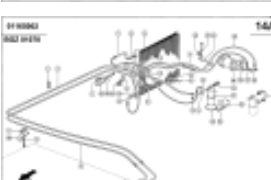
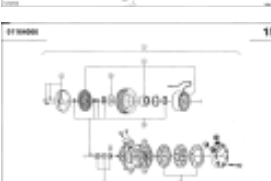
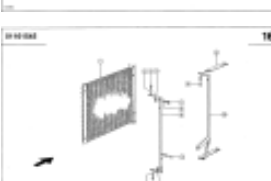
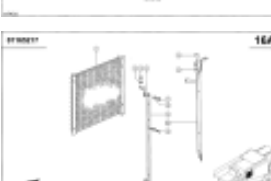
Drivers platform

Picture	Description
	Cabin
	Drivers platform
	Electrics

Cabin

Picture	Description	Drawing number	BGZ	Conditions
	1 CAB, FRONT	001	01050	
	2 WINDSCREEN WASHER	002	01050	1)
	3 CAB, REAR PANEL	003	01050	
	4 CAB, LINING	004	01050	
	5 CABSIDE, RIGHT HAND WITH DOOR	005	01050	
	6 CAB, SIDE PANEL, L.H. - DOOR	006	01050	
	7 CAB, ROOF	007	01050	
	8 CAB, ROOF	008	01050	
	9 CAB, ROOF	009	01050	
	10 CAB, ROOF	010	01050	

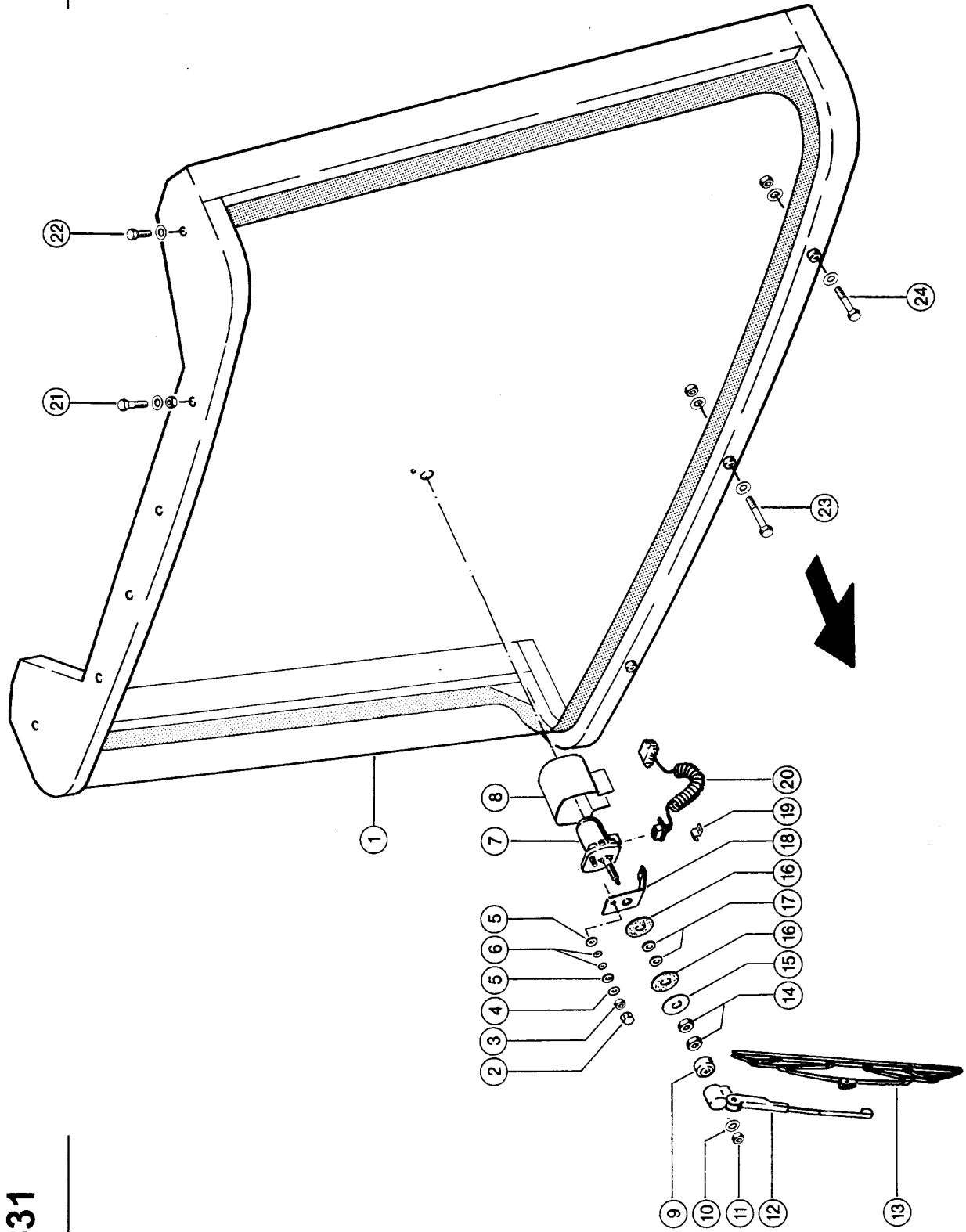
Cabin

Picture	Description	Drawing number	BGZ	Conditions
	11 CAB, MOUNTING PARTS	011	01050	
	12 CAB HEATER	012	01050	2)
	12A CAB HEATER	012A	01060	3)
	13 AIR CONDITIONER	013	01070	4)
	13A AUTOMATIC AIR CONDITIONING	013A	01070	5)
	14 AIR CONDITIONER, COMPRESSOR	014	01070	6)
	14A AIR CONDITIONER, COMPRESSOR	014A	01070	7)
	15 "SANDEN" COMPRESSOR FOR AIR CONDITIONING	015	01070	8)
	16 AIR CONDITIONER, CONDENSER	016	01070	6)
	16A AIR CONDITIONER, CONDENSER	016A	01070	9)

Cabin

1) Remarks	Q 03 / 70
2) Remarks	Q 04 / 10 Up To Serial No. 56800799
3) Remarks	From Serial No. 56800800
4) Remarks	Q 02 / 50, 70 - 90
5) Remarks	Q 02 / 70
6) Remarks	Q 02 / 50 Up To Serial No. 56800799
7) Remarks	Q 02/ 70 - 90 From Serial No. 56800800
8) Remarks	Q 02 / 50
9) Remarks	Q 02 / 70, 80 From Serial No. 56800800

1



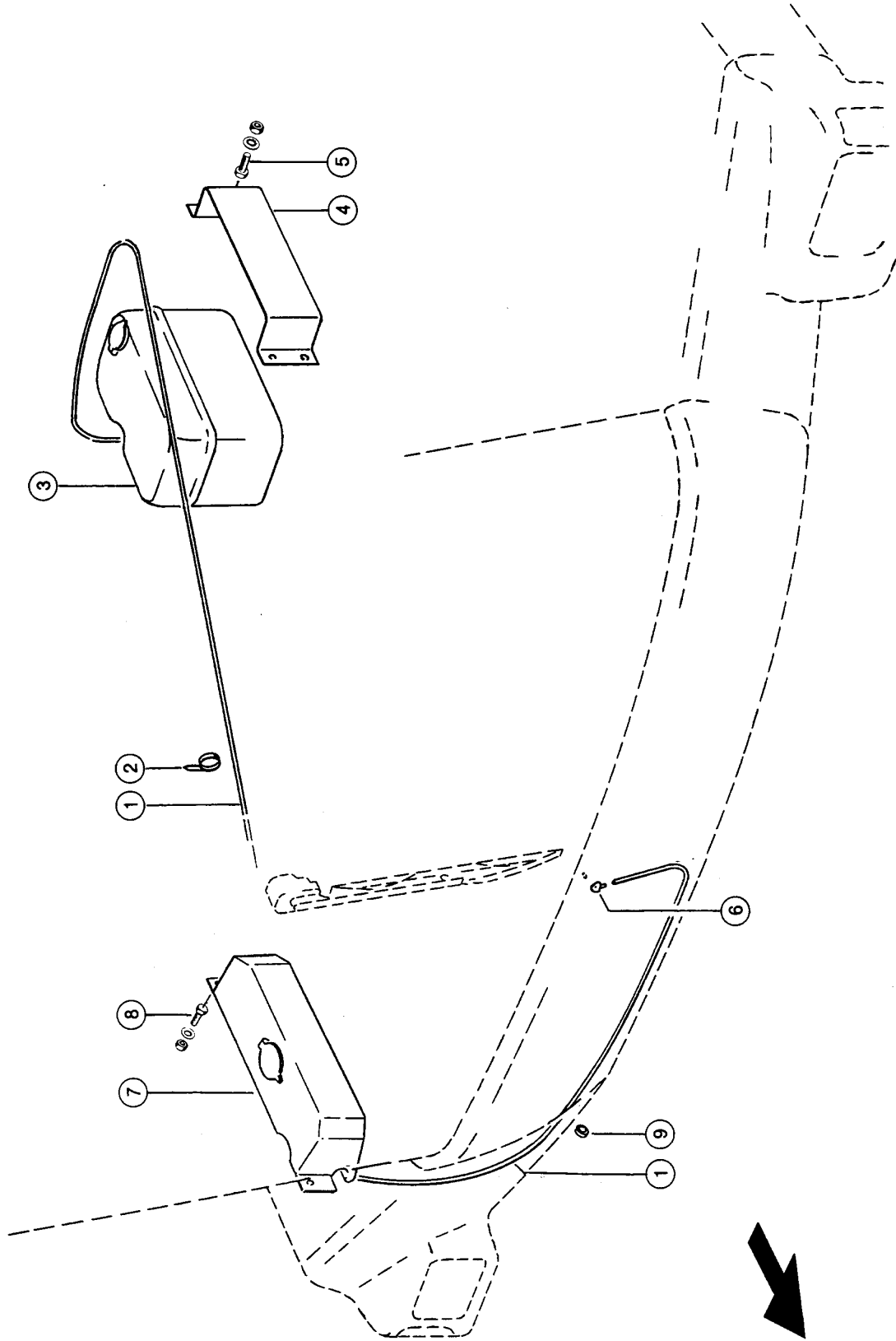
01161531

117406/01

CAB, FRONT

Pos.	Part No.	Description	Dimension	Quantity	Conditions
1	00 0625 505 1	FRONT FRAME		1	
2	00 0215 431 0	GUARD CAP	SW 8-M 5	1	
3	00 0237 216 0	HEXAGONAL NUT	M05	1	
4	00 0236 910 2	FLAT WASHER	5 -5,3X10X1	1	
5	00 0622 642 0	RUBBER DISC		2	
6	00 0622 673 0	RUBBER DISC		2	
7	00 0625 826 0	WIPER MOTOR		1	
8	00 0625 824 0	CAP	F.WISCHERMOTOR	1	
9	00 0622 641 0	CAP		1	
10	00 0215 034 0	SERRATED L.WASHER	A 6,4	1	
11	00 0236 169 0	HEXAGONAL NUT	M6	1	
12	00 0625 503 0	WIPER ARM		1	1)
12	00 0622 636 0	WIPER ARM		1	2)
13	00 0622 637 1	WIPER BLADE		1	
14	00 0622 640 0	HEXAGONAL NUT	M14X1	2	
15	00 0622 639 0	WASHER	14,5X50X2	1	
16	00 0622 638 0	RUBBER DISC		2	
17	00 0622 644 0	RUBBER DISC		2	
18	00 0010 136 0	ANGLE	1,5X40X144,5	1	
19	00 0236 400 0	ATTACHING CLAMP	1X 8-5,2	1	
20	00 0013 141 0	WIRE	SCHEIBENWISCHER	1	
21	00 0237 340 0	HEXAGON HEAD BOLT	M08X40	4	
21	00 0236 170 0	HEXAGONAL NUT	M8	4	
21	00 0239 393 1	CONTACT WASHER	B8 -8.2X22X1,9	4	
22	00 0236 200 0	HEXAGON HEAD BOLT	M8X20	2	
22	00 0239 393 1	CONTACT WASHER	B8 -8.2X22X1,9	2	
23	00 0235 540 0	HEXAGON HEAD BOLT	M10X80	1	
23	00 0236 171 0	HEXAGONAL NUT	M10	1	
23	00 0236 831 0	WASHER	10,5X25X2	2	
24	00 0237 844 0	HEXAGON HEAD BOLT	M10X65	2	
24	00 0236 171 0	HEXAGONAL NUT	M10	2	
24	00 0236 831 0	WASHER	10,5X25X2	4	
1)	Remarks	From No. 56800480			
2)	Remarks	Up To No. 56800479			

2



01161532

117407/01

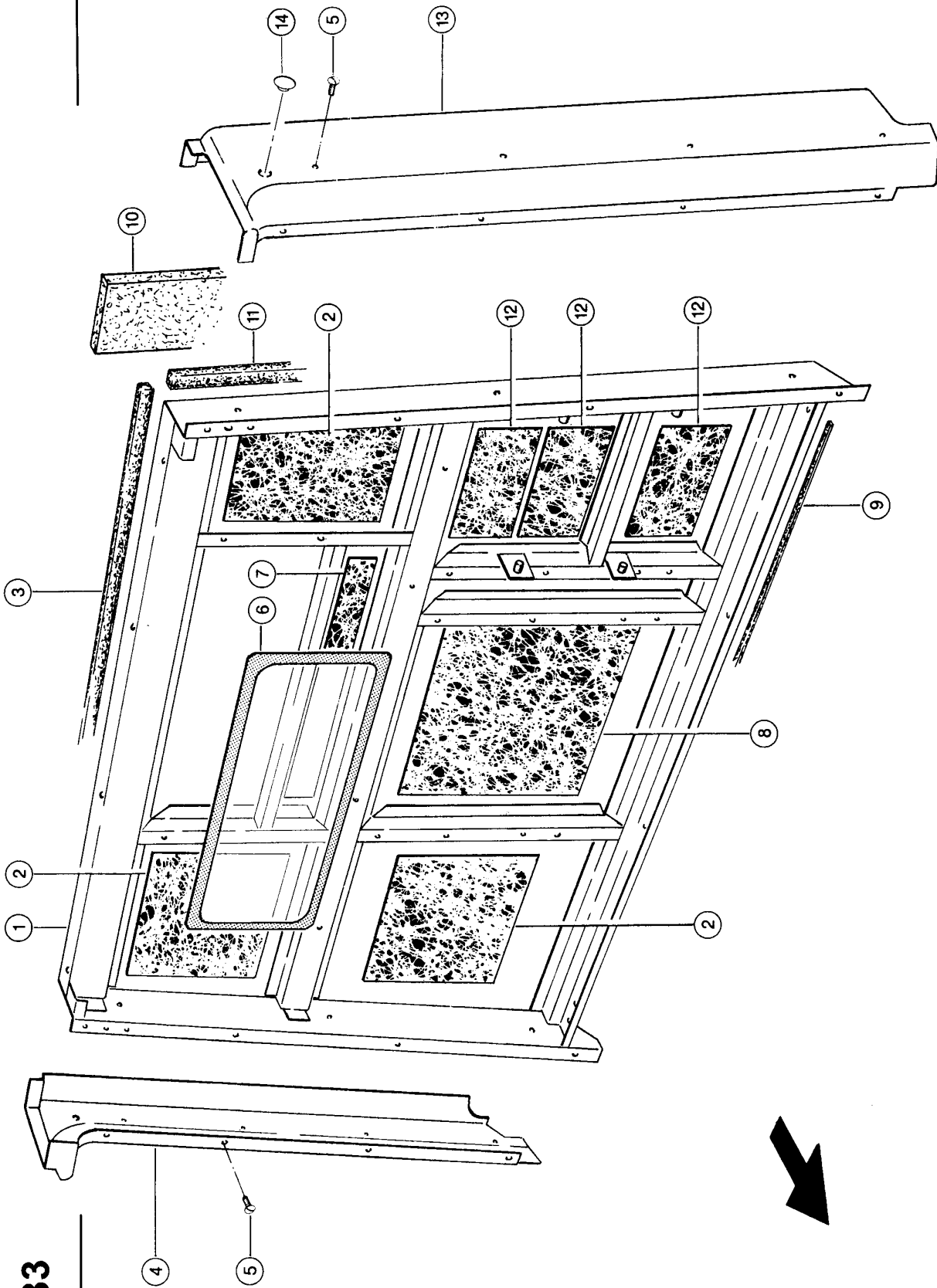
WINDSCREEN WASHER 1)

Pos.	Part No.	Description	Dimension	Quantity	Conditions
1	00 0205 294 0	PVC-HOSE	4X1	1	2)
2	00 0755 646 0	CABLE TIE	3,5X150	17	3)
3	00 0748 898 0	WATER CONTAINER		1	3)
4	00 0748 897 0	CAP PROFILE	2X100X486,1	1	3)
5	00 0237 442 0	HEXAGON HEAD BOLT	M8X25	4	3)
5	00 0238 132 0	LOCK NUT	M8	4	3)
5	00 0239 387 0	CONTACT WASHER	A8 -8,2X18X1,4	4	3)
6	00 0736 443 0	NOZZLE		1	
7	00 0074 879 1	CONTAINER	4,0 L	1	4)
7	00 0546 165 0	COVER		1	4)
7	00 0546 236 0	ENGINE		1	5)
7	00 0546 157 0	GASKET		1	5)
8	00 0237 466 0	HEXAGON HEAD BOLT	M06X20	4	4)
8	00 0237 983 0	HEXAGONAL NUT	M6	4	4)
8	00 0239 392 0	CONTACT WASHER	B6 -6,1X18X1,4	4	4)
9	00 0215 160 0	CABLE RING	A 10X13,5X4	1	4)

1) Remarks	Q 03 / 70
2) Remarks	1320 mm long
3) Remarks	Up To No. 56800461
4) Remarks	From No. 56800462
5) Remarks	FROM NO. 56800462

3

00292z01



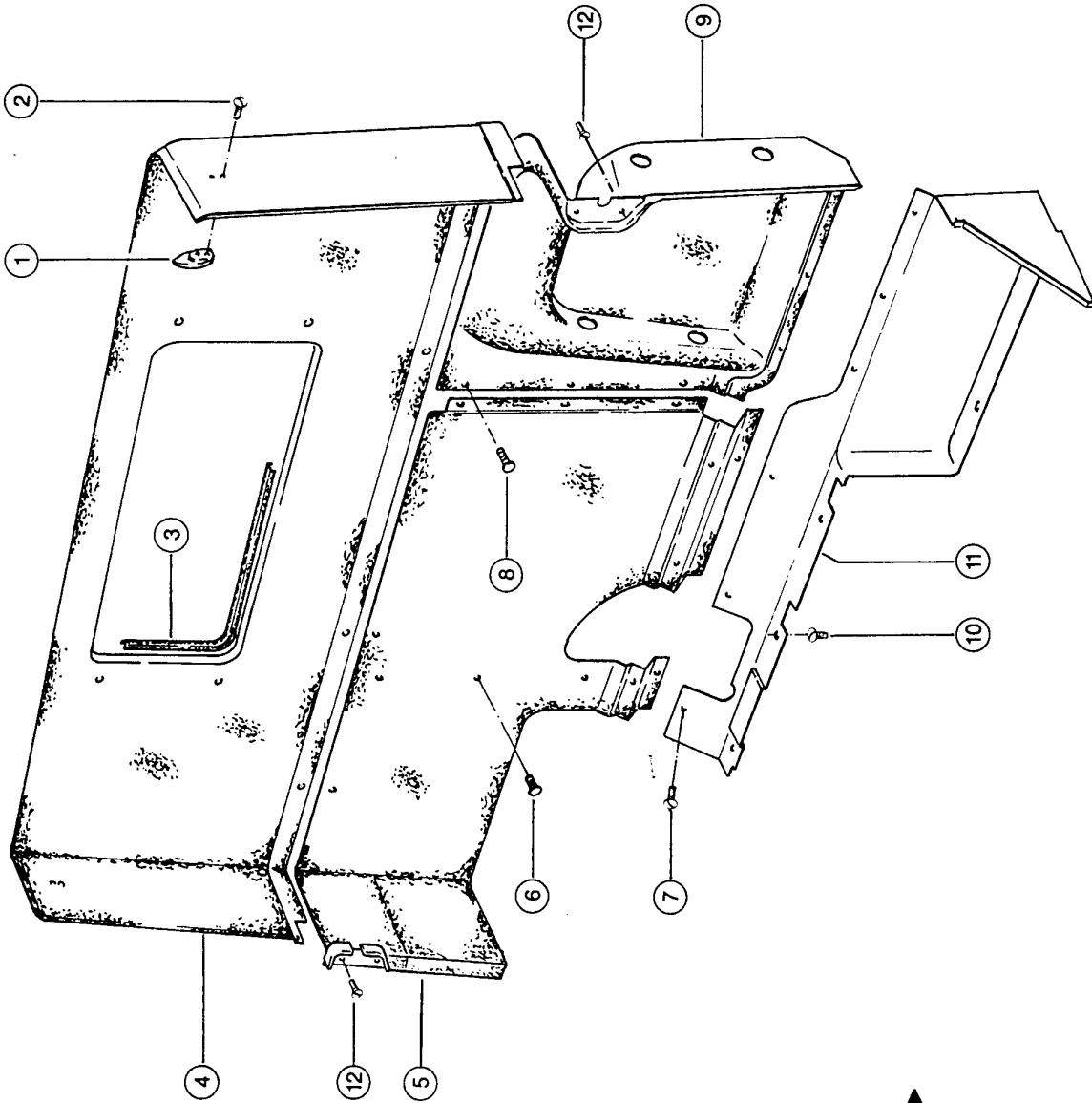
01161533

117408/01

CAB, REAR PANEL

Pos.	Part No.	Description	Dimension	Quantity	Conditions
1	00 0625 783 0	REAR PANEL		1	
2	00 0622 745 0	INSULATION	2X330X400	3	
3	00 0625 788 0	MOLDING	30X20X1400	1	
4	00 0350 886 0	COLUMN R.H.	CAT, RECHTS	1	
5	00 0215 720 0	FILL.HEAD SCREW	ST4,2X13-C-KFR-Z	16	
6	00 0625 781 1	REAR WINDOW	6 X 332X 637	1	
7	00 0622 743 1	INSULATION	2X100X530	1	
8	00 0622 746 1	INSULATION	2X500X530	1	
9	00 0201 480 0	WOOD PULP STRIP	12X4 SELBSTKLEB	1	1)
10	00 0625 787 1	MOLDING	25X150X300	2	
11	00 0205 350 0	SEALING PROFILE	19X30X2000	1	1)
12	00 0625 808 0	INSULATION	2X 165X 350	3	
13	00 0350 885 0	COLUMN L.H.	CAT, LINKS	1	
14	00 0625 757 0	PLUG	D16,5	2	
1)	Remarks	3500 mm long			

4



01161534

117409/01

CAB, LINING

Pos.	Part No.	Description	Dimension	Quantity	Conditions
1	00 0215 813 0	COAT HOOK	42X17	2	
2	00 0242 713 1	FILL.HEAD SCREW	ST3,9X16-C-H	4	
3	00 0205 350 0	SEALING PROFILE	19X30X2000	1	
4	00 0625 802 4	REAR PANEL COVER		1	
5	00 0625 805 6	REAR PANEL COVER		1	
6	00 0215 587 0	PLASTIC PLUG	D 8 22,75LG	13	
7	00 0216 229 0	FILL-HEAD SCREW	M4X20-KOMBI-KREU ZSCHLITZ	6	
8	00 0215 988 0	PLASTIC PLUG	D 7 34LG	5	
9	00 0350 903 2	REAR PANEL	UNTEN LINKS	1	
10	00 0215 720 0	FILL.HEAD SCREW	ST4,2X13-C-KFR-Z	5	
11	00 0546 580 2	SUPPORT		1	1)
11	00 0625 810 1	SUPPORT		1	2)
12	00 0242 506 1	COUNTERSUNK BOLT	M4X20	4	3)
13	00 0546 429 0	SUPPORT	420X209X1.5	1	1)
14	00 0238 456 0	CABLE RING	A 30X38X1,6	2	1)
15	00 0734 779 0	CABLE RING	C 20-35X50X2	1	1)

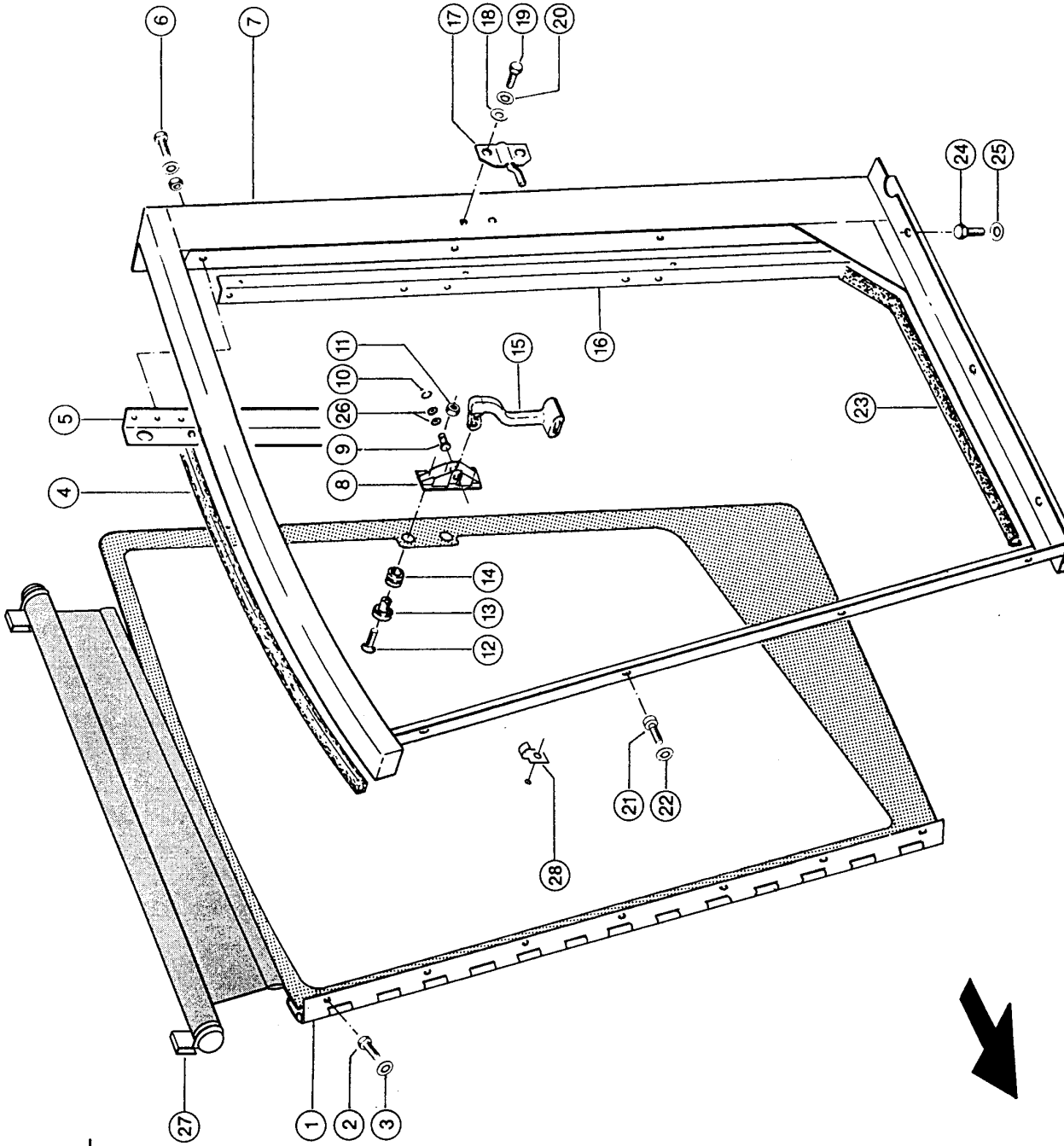
1) Remarks from No. 56800800

2) Remarks up to No. 56800799

3) Remarks From No. 56800516

5

00293z02



01161535

117410/03

CABSIDE, RIGHT HAND WITH DOOR

Pos.	Part No.	Description	Dimension	Quantity	Conditions
1	00 0625 687 2	DOOR R.H.		1	
2	00 0237 465 0	HEXAGON HEAD BOLT	M6X16	7	
3	00 0239 392 0	CONTACT WASHER	B6 -6,1X18X1,4	7	
4	00 0205 593 0	PROFILE	20X30X1100	1	
5	00 0354 390 0	ANGLE	40X4X510	1	1)
5	00 0625 677 0	ANGLE	40X40X4X90	1	2)
6	00 0236 200 0	HEXAGON HEAD BOLT	M8X20	5	
6	00 0236 170 0	HEXAGONAL NUT	M8	5	
6	00 0239 393 1	CONTACT WASHER	B8 -8.2X22X1,9	5	
7	00 0625 653 0	SIDE WALL R.H.		1	
8	00 0625 817 0	SUPPORT		1	
9	00 0625 819 0	PIN	8X23X20,5	1	
10	00 0235 752 0	LOCK WASHER	6	1	
11	00 0236 170 0	HEXAGONAL NUT	M8	2	
12	00 0237 069 0	COUNTERSUNK BOLT	M 8X 30	2	
13	00 0625 821 0	SPACER GLASS	8,5X30X17	2	
14	00 0625 820 0	GROMMET	A 14X19X5,5	2	
15	00 0625 818 0	HANDLE		1	
16	00 0625 902 0	ANGLE	1,5X53X1334	1	
17	00 0625 843 3	LOCKING PLATE		1	
18	00 0236 913 2	FLAT WASHER	10-10,5X20X2	2	
19	00 0236 987 0	SOCKET HEAD SCREW	M 8X 20	2	3)
19	00 0236 200 0	HEXAGON HEAD BOLT	M8X20	2	4)
20	00 0239 393 1	CONTACT WASHER	B8 -8.2X22X1,9	1	
21	00 0242 227 1	SOCKET HEAD SCREW	M8X16	4	
22	00 0239 393 1	CONTACT WASHER	B8 -8.2X22X1,9	4	
23	00 0205 554 0	SEAL STRIP		1	5)
24	00 0236 200 0	HEXAGON HEAD BOLT	M8X20	3	
25	00 0239 393 1	CONTACT WASHER	B8 -8.2X22X1,9	3	
26	00 0236 357 0	SHIM	8,5X14X0,25	1	6)
27	00 0069 543 1	ROLLER BLIND	RECHTS/1025X910	1	7)
28	00 0069 542 0	SPRING HOOK		1	7)

1) Remarks from No. 56800810

2) Remarks up to No. 56800809

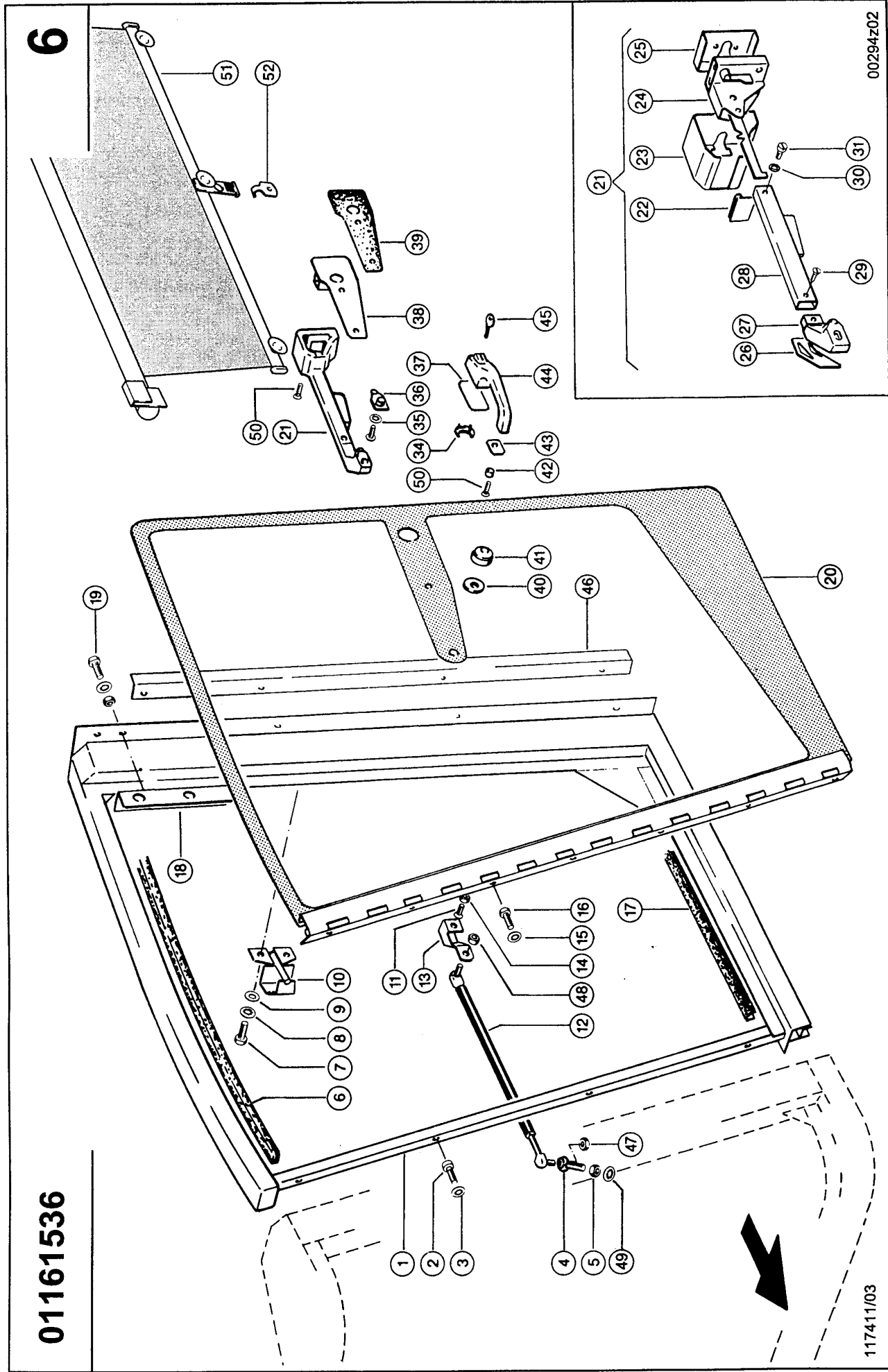
3) Remarks From No. 56800513

4) Remarks Up To No. 56800512

5) Remarks 4700 mm long

6) Remarks From No. 56800462

7) Remarks option



6

00294z02

01161536

117411/03

CAB, SIDE PANEL, L.H. - DOOR

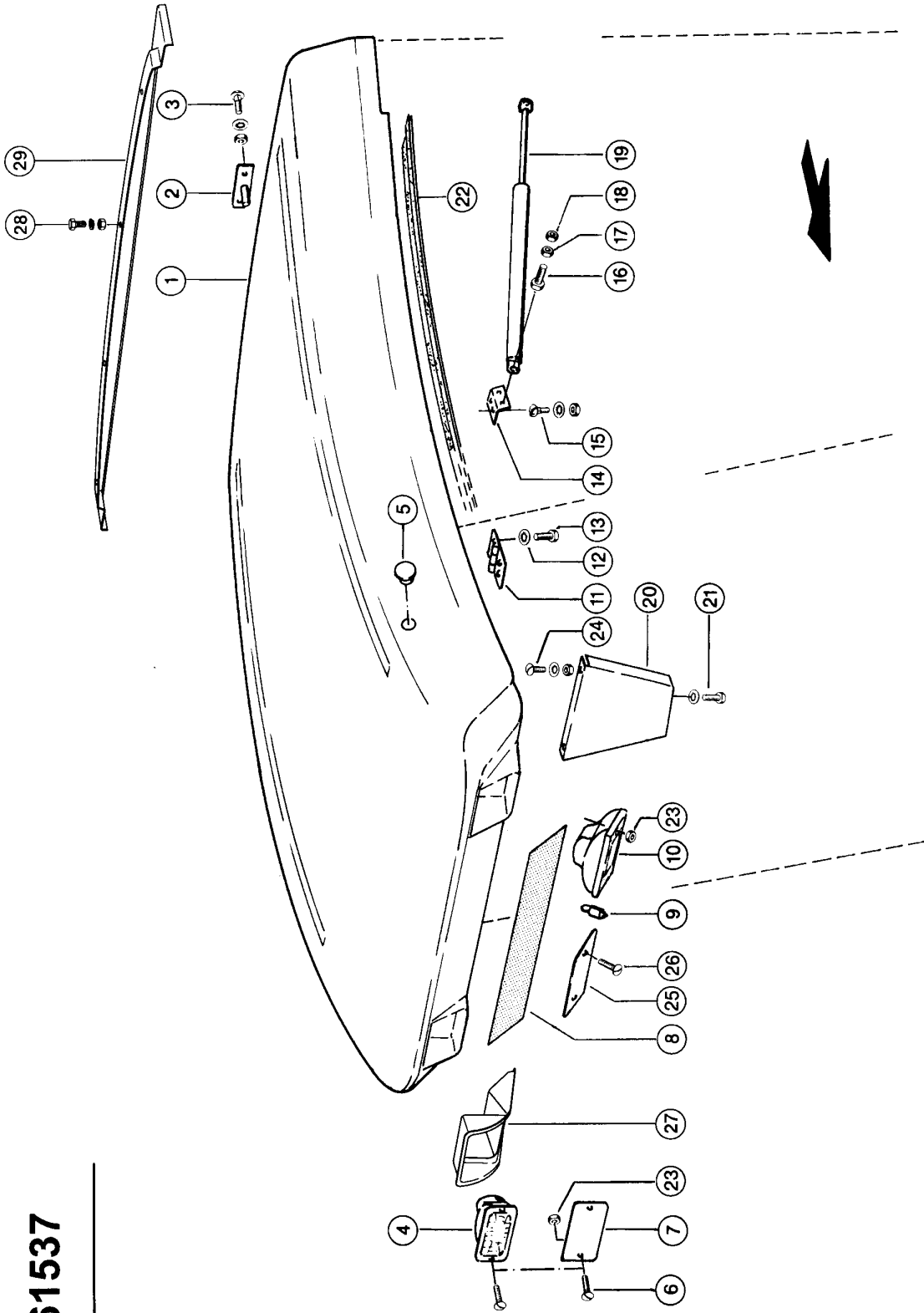
Pos.	Part No.	Description	Dimension	Quantity	Conditions
1	00 0625 652 0	SIDE WALL L.H.	S	1	
2	00 0242 227 1	SOCKET HEAD SCREW	M8X16	4	
3	00 0239 393 1	CONTACT WASHER	B8 -8.2X22X1,9	4	
4	00 0216 026 0	EYE BOLT	BM 8X50X30 ERS.D.21602	1	
5	00 0236 170 0	HEXAGONAL NUT	M8	1	
6	00 0205 593 0	PROFILE	20X30X1100	1	
7	00 0236 200 0	HEXAGON HEAD BOLT	M8X20	2	
8	00 0239 393 1	CONTACT WASHER	B8 -8.2X22X1,9	2	
9	00 0236 913 2	FLAT WASHER	10-10,5X20X2	4	
10	00 0625 823 1	LOCKING PLATE		1	
11	00 0241 253 0	COUNTERSUNK BOLT	M 6X40	1	
12	00 0625 835 0	GAS PRESS. SPRING		1	
13	00 0625 832 1	SUPPORT		1	
14	00 0236 169 0	HEXAGONAL NUT	M6	1	
15	00 0239 392 0	CONTACT WASHER	B6 -6,1X18X1,4	7	
16	00 0237 465 0	HEXAGON HEAD BOLT	M6X16	7	
17	00 0205 554 0	SEAL STRIP		1	1)
18	00 0354 390 0	ANGLE	40X4X510	1	2)
18	00 0625 677 0	ANGLE	40X40X4X90	1	3)
19	00 0236 200 0	HEXAGON HEAD BOLT	M8X20	5	
19	00 0236 170 0	HEXAGONAL NUT	M8	5	
19	00 0239 393 1	CONTACT WASHER	B8 -8.2X22X1,9	5	
20	00 0625 575 2	DOOR L.H.		1	
21	00 0625 730 0	DOOR HANDLE		1	
22	00 0625 735 0	INSIDE COVER		1	
23	00 0625 736 0	CAP		1	
24	00 0625 731 0	LOCK		1	
25	00 0625 732 0	ADJUSTING PLATE		1	
26	00 0625 740 0	COVERING		1	
27	00 0625 734 0	END PIECE		1	
28	00 0625 733 0	DOOR HANDLE		1	
29	00 0241 236 0	COUNTERSUNK BOLT	M 5X10	1	
30	00 0215 031 0	SERRATED L.WASHER	A 5,3	1	
31	00 0242 043 0	SOCKET HEAD SCREW	M 5X10	1	
34	00 0625 726 0	DISTANCE PLATE		1	
35	00 0216 059 0	FLAT HEAD BOLT	M 6X 25	1	
35	00 0236 911 2	FLAT WASHER	6 -6,4X12X1,6	1	
36	00 0625 751 0	INSERT		1	
37	00 0625 723 0	SHIM LARGE		1	
38	00 0625 727 1	MOUNTING PLATE		1	
39	00 0625 750 0	SHIM		1	
40	00 0625 753 0	RUBBER DISC		1	
41	00 0625 752 0	CAP		1	
42	00 0625 725 0	SPACER TUBE		1	
43	00 0625 724 0	SHIM		1	
44	00 0625 814 0	HANDLE, EXTERIOR		1	
45	00 0013 142 0	MASTER KEY		1	
46	00 0625 902 0	ANGLE	1,5X53X1334	1	
47	00 0237 928 0	HEXAGONAL NUT	M 8	1	
48	00 0238 132 0	LOCK NUT	M8	1	
49	00 0239 393 1	CONTACT WASHER	B8 -8.2X22X1,9	1	
50	00 0216 057 0	COUNTERSUNK BOLT	M 6X 20	3	
51	00 0069 540 1	ROLLER BLIND		1	4)

CAB, SIDE PANEL, L.H. - DOOR

Pos.	Part No.	Description	Dimension	Quantity	Conditions
52	00 0069 542 0	SPRING HOOK		1	4)
1)	Remarks		4700 mm long		
2)	Remarks		from No. 56800810		
3)	Remarks		up to No. 56800809		
4)	Remarks		option		

7

00213z02



01161537

117412/03

CAB, ROOF

Pos.	Part No.	Description	Dimension	Quantity	Conditions
1	00 0354 370 0	ROOF HOOD		1	1)
1	00 0350 884 0	ROOF HOOD		1	2)
2	00 0625 685 0	HOOD HOLDER		1	
3	00 0636 792 1	COACH BOLT	M6X 16	2	
3	00 0236 169 0	HEXAGONAL NUT	M6	2	
3	00 0239 392 0	CONTACT WASHER	B6 -6,1X18X1,4	2	
4	00 0013 731 0	WORK LIGHT		2	3)
4	00 0625 914 0	WORK LIGHT		2	4)
4	00 0238 091 0	LAMP		2	
5	00 0215 502 0	COVER CAP	27,0-33,0	2	
6	00 0215 720 0	FILL.HEAD SCREW	ST4,2X13-C-KFR-Z	1	
7	00 0351 552 0	HEADLIGHT PANEL	1,5X90X174	1	
8	00 0515 309 1	STICKER	CATERPILLAR, KABINE - 69	1	
9	00 0216 453 0	LAMP		2	1)
9	00 0238 091 0	LAMP		2	2)
10	00 0014 531 0	WORKING LIGHT		2	1)
10	00 0625 719 0	HEADLIGHTS		2	2)
11	00 0625 642 0	HINGE		2	
12	00 0239 392 0	CONTACT WASHER	B6 -6,1X18X1,4	4	
13	00 0237 466 0	HEXAGON HEAD BOLT	M06X20	4	
14	00 0622 781 1	GAS SPRING BEAR.		2	
15	00 0636 792 1	COACH BOLT	M6X 16	4	
15	00 0236 169 0	HEXAGONAL NUT	M6	4	
15	00 0239 392 0	CONTACT WASHER	B6 -6,1X18X1,4	4	
16	00 0244 378 0	HEXAGON HEAD BOLT	M 8X25	2	
17	00 0236 170 0	HEXAGONAL NUT	M8	2	
18	00 0238 132 0	LOCK NUT	M8	2	
19	00 0625 695 0	GAS PRESS. SPRING		1	5)
19	00 0625 696 0	GAS PRESS. SPRING		1	6)
20	00 0625 643 0	GUSSET PLATE L.H.		1	5)
20	00 0625 644 0	GUSSET PLATE R.H.		1	6)
21	00 0237 466 0	HEXAGON HEAD BOLT	M06X20	4	
21	00 0239 392 0	CONTACT WASHER	B6 -6,1X18X1,4	4	
22	00 0625 694 0	LIP PROFILE	CLAMPING WIDT 3-4MM	2	7)
23	00 0216 447 0	NUT	ST3,9 -3,0-4,0	8	1)
23	00 0215 738 0	NUT	ST4,2 - 3,0-4,5	8	2)
24	00 0636 792 1	COACH BOLT	M6X 16	4	
24	00 0236 169 0	HEXAGONAL NUT	M6	4	
24	00 0239 392 0	CONTACT WASHER	B6 -6,1X18X1,4	4	
25	00 0351 552 0	HEADLIGHT PANEL	1,5X90X174	2	8)
26	00 0215 720 0	FILL.HEAD SCREW	ST4,2X13-C-KFR-Z	4	8)
27	00 0546 589 0	HEADLIGHT PANEL		1	9)
27	00 0546 591 0	HEADLIGHT PANEL		1	10)
28	00 0636 792 1	COACH BOLT	M6X 16	4	11)
28	00 0239 392 0	CONTACT WASHER	B6 -6,1X18X1,4	4	11)
28	00 0236 169 0	HEXAGONAL NUT	M6	4	11)
29	00 0354 386 0	GRAIN TANK COVER	1620X176X30	1	11)

1) Remarks from No. 56800800

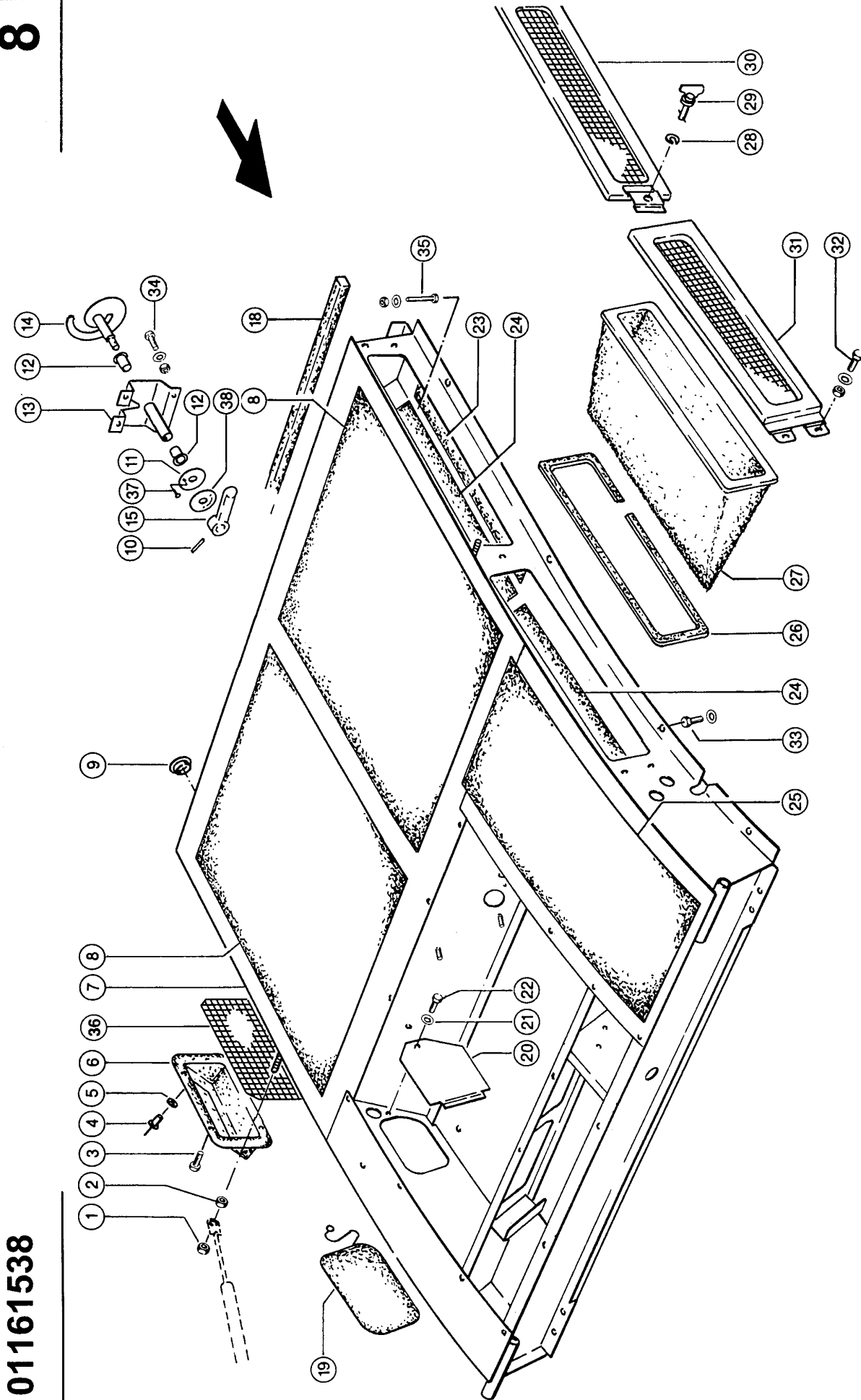
2) Remarks up to No. 56800799

3) Remarks From No. 56800500

CAB, ROOF

4) Remarks	Up To No. 56800499
5) Remarks	L.h. Side
6) Remarks	R.h. Side
7) Remarks	1960 mm long
8) Remarks	No. 56800500-56800799
9) Remarks	L.h. No. 56800800-56800823
10) Remarks	R.h. No. 56800800-56800823
11) Remarks	from No. 56800810

8



01161538

117413/03

CAB, ROOF

Pos.	Part No.	Description	Dimension	Quantity	Conditions
1	00 0238 132 0	LOCK NUT	M8	2	
2	00 0236 170 0	HEXAGONAL NUT	M8	2	
3	00 0242 499 1	SHEET METAL SCREW	ST4,8X 9,5-C ERS.D.24249	4	
4	00 0238 018 1	BLIND RIVET	A 4X9	3	
5	00 0236 979 1	FLAT WASHER	4 -4,3X9X0,8	3	
6	00 0625 549 0	VENTILATION		1	
7	00 0625 760 4	ROOF		1	
8	00 0625 614 0	SOUND PROOFING M.	2X 570X 670	2	
9	00 0238 886 2	PLUG	D30,5-F	5	
9	00 0238 457 0	PLUG	D38,4-F	1	
10	00 0237 600 0	SPRING PIN	3 X 36	1	
11	00 0069 539 0	WASHER	D64XD10X1	1	1)
11	00 0239 071 0	WASHER	10,5X 60 X1	1	2)
12	00 0008 505 0	BUSHING	13 X 16 X32	2	
13	00 0755 950 0	BRACKET PLATE		1	3)
14	00 0755 945 0	CURVED METAL SHEE		1	
15	00 0755 951 0	LEVER		1	
18	00 0205 368 0	SEALING FOAM	15X20X1985	1	4)
18	00 0201 480 0	WOOD PULP STRIP	12X4 SELBSTKLEB	1	5)
19	00 0701 740 3	INSPEC.HOLE DOOR		1	
20	00 0625 873 0	COVER		1	6)
21	00 0239 392 0	CONTACT WASHER	B6 -6,1X18X1,4	1	7)
22	00 0237 465 0	HEXAGON HEAD BOLT	M6X16	1	7)
23	00 0622 743 1	INSULATION	2X100X530	1	
24	00 0622 744 1	INSULATION	2X200X530	2	
25	00 0625 613 0	SOUND PROOFING M.	2X 330X 700	1	
26	00 0201 354 0	SEALING PROFILE	2,0-3,5	1	8)
27	00 0071 525 1	POCKET FILTER		2	
28	00 0601 243 0	SUPPORTING WASHER	10,8X25X0,6	1	
29	00 0601 248 0	LOCK TRUNNION		1	
30	00 0625 533 1	FILTER FRAME		1	
31	00 0625 534 1	FILTER FRAME		1	
32	00 0237 464 0	HEXAGON HEAD BOLT	M06X12	4	
32	00 0236 169 0	HEXAGONAL NUT	M6	4	
32	00 0239 392 0	CONTACT WASHER	B6 -6,1X18X1,4	4	
33	00 0236 200 0	HEXAGON HEAD BOLT	M8X20	12	
33	00 0239 393 1	CONTACT WASHER	B8 -8.2X22X1,9	12	
34	00 0237 465 0	HEXAGON HEAD BOLT	M6X16	4	3)
34	00 0236 169 0	HEXAGONAL NUT	M6	4	3)
34	00 0239 392 0	CONTACT WASHER	B6 -6,1X18X1,4	4	3)
35	00 0237 553 1	HEXAGON HEAD BOLT	M6X45	1	
35	00 0236 169 0	HEXAGONAL NUT	M6	1	
35	00 0239 392 0	CONTACT WASHER	B6 -6,1X18X1,4	1	
36	00 0625 649 0	GUARD SCREEN	230X135	1	9)
37	00 0242 713 1	FILL.HEAD SCREW	ST3,9X16-C-H	1	1)
38	00 0515 470 1	STICKER	D 63	1	1)

1) Remarks From No. 56800513

2) Remarks Up To No. 56800512

3) Remarks Up To No. 56800461

4) Remarks 2600 mm long

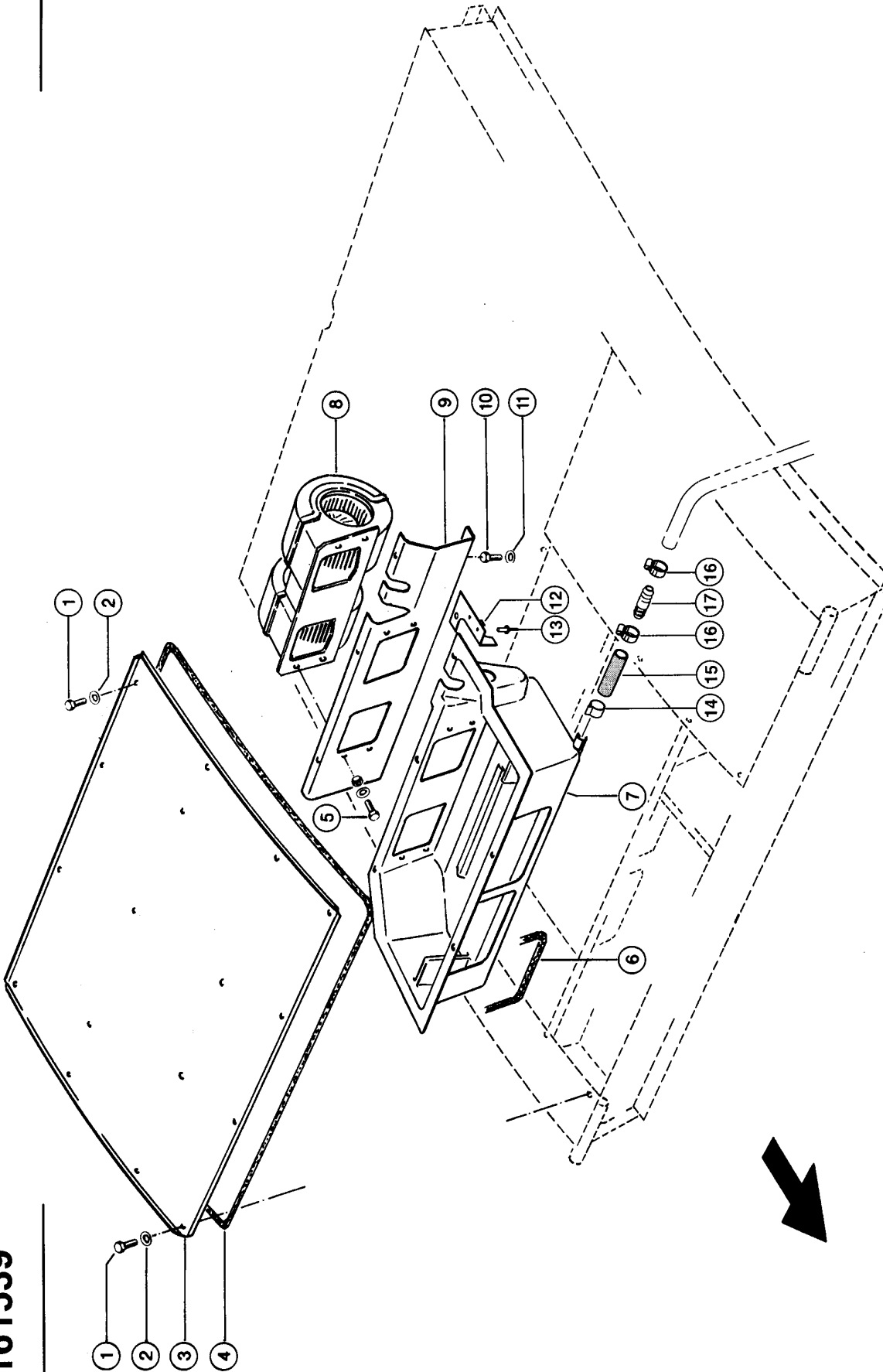
5) Remarks 600 mm long

CAB, ROOF

6) Remarks	Not With Conditioner up to No. 56800799
7) Remarks	up to No. 56800799
8) Remarks	2500 mm long
9) Remarks	From No. 56800500

9

00230z01



01161539

- 1
- 2
- 3
- 4

117414/02

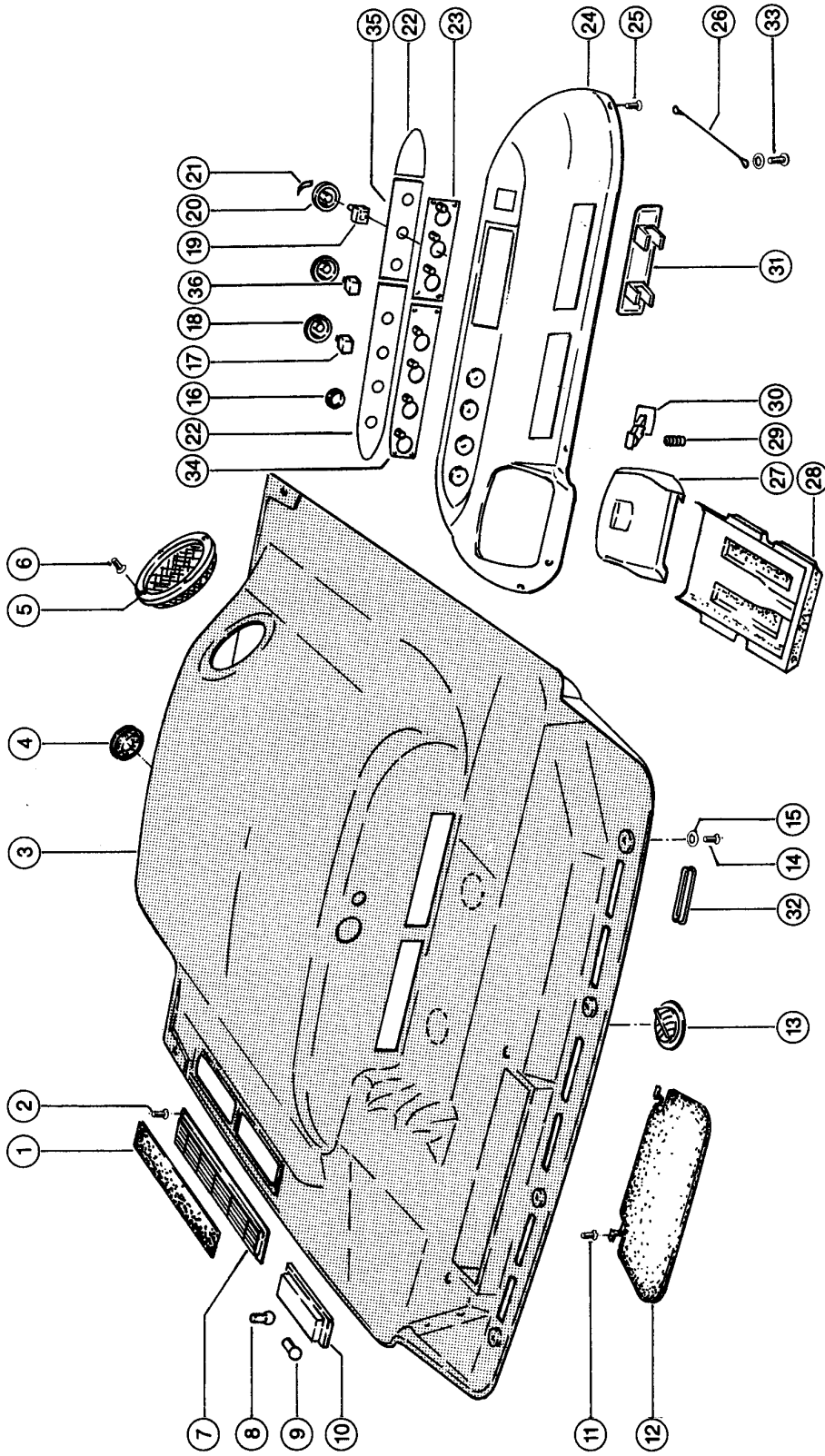
CAB, ROOF

Pos.	Part No.	Description	Dimension	Quantity	Conditions
1	00 0237 465 0	HEXAGON HEAD BOLT	M6X16	17	
2	00 0239 392 0	CONTACT WASHER	B6 -6,1X18X1,4	17	
3	00 0625 770 0	COVER	1X754X799	1	
4	00 0201 480 0	WOOD PULP STRIP	12X4 SELBSTKLEB	1	1)
5	00 0237 466 0	HEXAGON HEAD BOLT	M06X20	4	
5	00 0236 170 0	HEXAGONAL NUT	M8	4	
5	00 0239 392 0	CONTACT WASHER	B6 -6,1X18X1,4	4	
6	00 0201 354 0	SEALING PROFILE	2,0-3,5	1	2)
7	00 0625 850 2	HOUSING	KLIMA	1	
7	00 0241 692 0	SEAL BAND	10X15	1	3)
7	00 0411 704 1	SEAL BAND	40X2 - (ROLLE 64M)	1	4)
8	00 0546 585 3	FAN	O.WIDERSTAND/ENTSTÖRT	1	5)
8	00 0625 861 3	FAN	ENTSTÖRT	1	6)
8	00 0546 235 0	RESISTANCE		1	7)
8	00 2900 723 0	RESISTANCE	GEBLÄSE 12V	1	
9	00 0625 840 0	SUPPORT PLATE		1	
10	00 0237 877 0	HEXAGON HEAD BOLT	M6X10	2	
11	00 0239 392 0	CONTACT WASHER	B6 -6,1X18X1,4	2	
12	00 0762 065 0	REPAIR SHEET	105X58X1	1	8)
13	00 0241 640 0	BLIND RIVET	A 4,0X10,3 - DK=12	3	8)
14	00 0216 413 0	1-EAR-CLAMP	16-18	2	8)
15	00 0136 564 0	HOSE	12X18X3100	1	8)
16	00 0408 552 2	HOSE CLAMP	A-12-22X9	4	8)
17	00 0216 474 0	CONNECTING PIECE	GS 12	2	8)

1)	Remarks	3000 mm long
2)	Remarks	1200 mm long
3)	Remarks	1900 MM LONG 2100 MM LONG
4)	Remarks	250 MM LONG
5)	Remarks	from No. 56800800
6)	Remarks	up to No. 56800799
7)	Remarks	NOT WITH "AUTOMATIC AIR CONDITIONER"
8)	Remarks	in case of repair

10

00370z01



01161540

117415/03



CAB, ROOF

Pos.	Part No.	Description	Dimension	Quantity	Conditions
1	00 0622 844 2	FILTER MAT		1	
2	00 0242 713 1	FILL.HEAD SCREW	ST3,9X16-C-H	6	
3	00 0625 915 4	SKYLIGHT		1	
4	00 0625 699 0	GROMMET	40X5	1	
5	00 0625 828 1	LOUDSPEAKER GRILL	LAUTSPRECHER	2	
6	00 0242 713 1	FILL.HEAD SCREW	ST3,9X16-C-H	8	
7	00 0622 843 1	GRILLE	503X 80	1	
8	00 0244 982 0	LAMP		1	
9	00 0233 546 0	LAMP		1	
10	00 0625 586 0	LIGHT		1	
11	00 0236 994 0	SOCKET HEAD SCREW	M 4X16 ERS.D. 236994.1	2	
12	00 0625 827 0	SUN VISOR		1	
13	00 0606 235 0	GRILL		2	
14	00 0242 804 1	SHEET METAL SCREW	ST3,9X32-C-H	4	
15	00 0244 897 0	WASHER	5,3	4	
16	00 0216 011 0	COVER CAP	22,0-25,5	4	
17	00 0013 137 1	SWITCH	SCHALTFOLGE 0-1-2	1	
18	00 0625 921 0	ROTARY BUTTON	D 40	2	
19	00 0622 765 0	FAN SWITCH		1	1)
20	00 0625 920 0	ROTARY BUTTON	D. 40	1	1)
21	00 0625 925 0	INSERT	D 40	3	1)
22	00 0516 513 2	STICKER	LUFTDRUCK T583, 8600L - Q	1	2)
22	00 0515 411 0	STICKER	DACHBLENDE	1	3)
22	00 0514 864 2	STICKER	BEDIENBLENDE	1	4)
23	00 0546 587 1	COVER	NACHTDESIGN	1	5)
23	00 0625 919 2	COVER	NACHTDESIGN	1	6)
23	00 0216 008 0	STARLOCK WASHER	2,5X9,5X1,5	5	7)
24	00 0546 325 2	PANEL		1	8)
24	00 0625 916 5	PANEL		1	9)
25	00 0211 291 0	COUNTERSUNK BOLT	M4X8	6	
26	00 0625 926 0	ROPE, SUPPORTING	D2 8FACH GEFLOCHTE2		
27	00 0546 315 0	COVER		1	8)
27	00 0625 917 0	COVER		1	9)
28	00 0625 895 0	INSERT		1	
29	00 0215 965 0	COMPRESS.SPRING	0,5 X 6,3X 30	1	
30	00 0546 316 0	LOCK		1	8)
30	00 0625 918 0	LOCK		1	9)
31	00 0622 998 0	COVER		2	
32	00 0625 897 0	NOZZLE		6	
32	00 0762 107 0	AIR LOUVRE COVER		6	10)
33	00 0215 720 0	FILL.HEAD SCREW	ST4,2X13-C-KFR-Z	2	
33	00 0244 897 0	WASHER	5,3	2	
34	00 0546 588 0	COVER	NACHTDESIGN	1	5)
35	00 0546 114 0	ANGLE	F. VERST.-SCHIENE	1	5)
36	00 0013 867 1	SWITCH	SCHALTF.0-1-2-3	1	11)
36	00 0013 137 1	SWITCH	SCHALTFOLGE 0-1-2	1	4)

1) Remarks Q 02/50+80

2) Remarks FROM NO. 56800542

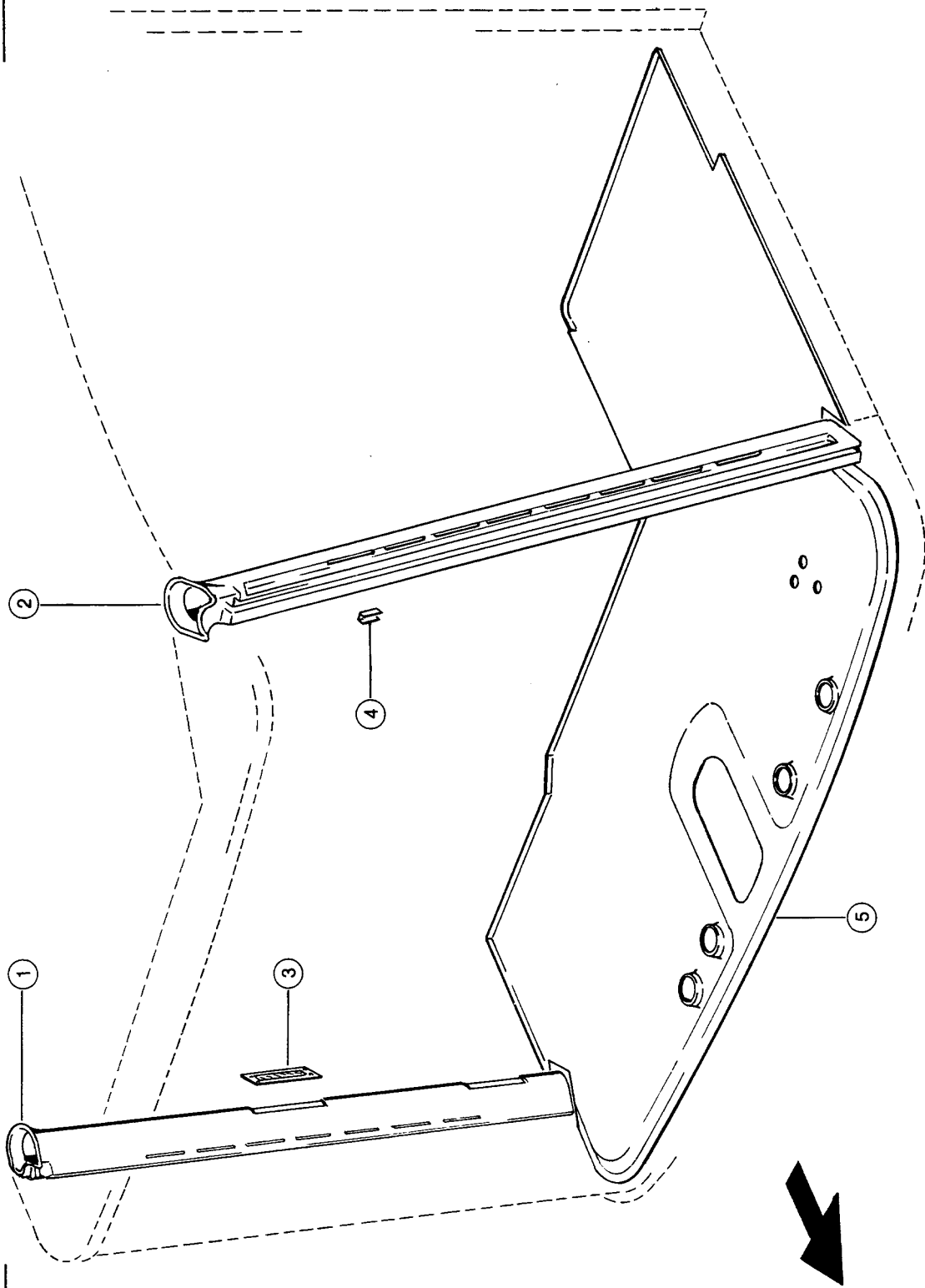
3) Remarks No. 56800500-56800541

4) Remarks Up To No. 56800499

CAB, ROOF

5) Remarks	from No. 56800542
6) Remarks	up to No. 56800541
7) Remarks	(7)
8) Remarks	from No. 56800800
9) Remarks	up to No. 56800799
10) Remarks	CLOSED AIR LOURRE OPTION -
11) Remarks	From No. 56800500

11



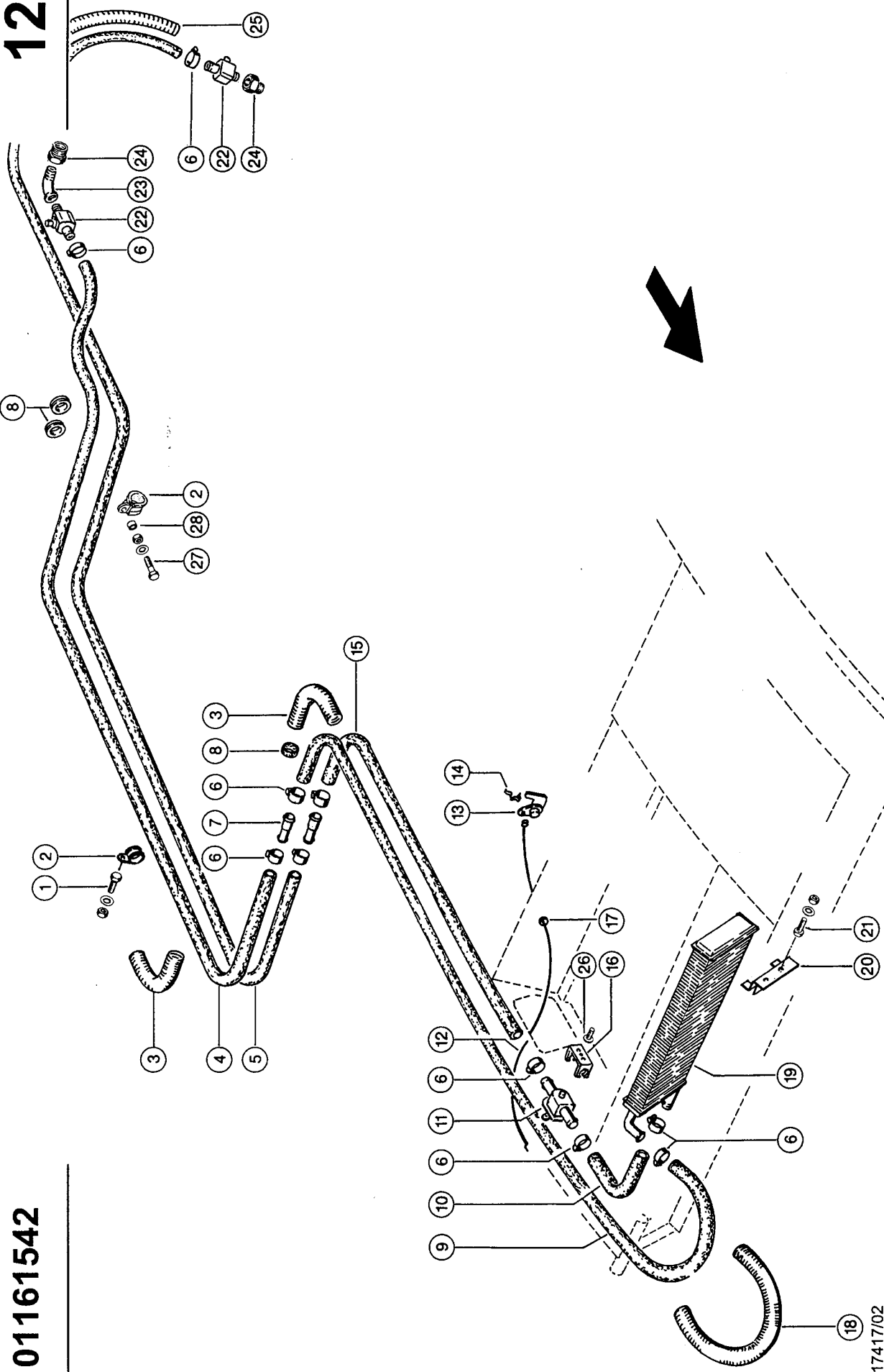
01161541

117416

CAB, MOUNTING PARTS

Pos.	Part No.	Description	Dimension	Quantity	Conditions
1	00 0546 574 0	AIR GUIDE		1	1)
1	00 0625 905 1	AIR GUIDE, R.H.		1	2)
2	00 0546 293 1	AIR GUIDE, L.H.		1	1)
2	00 0625 904 3	AIR GUIDE, L.H.		1	2)
3	00 0622 770 0	LOUVRE		4	
3	00 0215 764 0	SPRING BUSHING	D3	16	
4	00 0215 946 0	CLAMP	12X20	10	
5	00 0354 363 0	FLOOR MAT	1092X1506	1	1)
5	00 0350 790 1	FLOOR MAT	1092X1490	1	2)
1)	Remarks	from No. 56800800			
2)	Remarks	up to No. 56800799			

12



01161542

117417/02

CAB HEATER 1)

Pos.	Part No.	Description	Dimension	Quantity	Conditions
1	00 0237 442 0	HEXAGON HEAD BOLT	M8X25	5	
1	00 0236 200 0	HEXAGON HEAD BOLT	M8X20	2	
1	00 0236 170 0	HEXAGONAL NUT	M8	6	
1	00 0239 393 1	CONTACT WASHER	B8 -8,2X22X1,9	7	
2	00 0215 394 0	HOLDER CLAMP	D1-24X20	15	
3	00 0205 590 0	CORRUGAT. CONDUIT	NW 26 / PRO ROLLE = 4 25M	4	2)
4	00 0205 351 0	HOSE	15X3,5 ROLLE, LSN NOTWEN	1	3)
5	00 0205 351 0	HOSE	15X3,5 ROLLE, LSN NOTWEN	1	4)
5	00 0409 724 1	INSULATING MAT	0,15X25 X 25000	1	
6	00 0215 408 1	HOSE CLAMP	W.ERS.D.2154082	10	
7	00 0625 848 0	PIPE FITTING	D20XD17XD15	2	
8	00 0238 250 0	GROMMET	A 24X30X3,5	4	
9	00 0205 574 0	HOSE	18X3,5 ROLLE, LSN NOTWEN	1	5)
10	00 0625 847 0	ELBOW		1	
11	00 0625 880 0	CONTROL VALVE		1	
12	00 0625 846 0	CABLE	836 LG	1	
13	00 0625 619 1	HEATER CONTROL		1	6)
13	00 0625 860 0	HEATER CONTROL		1	7)
14	00 0625 881 0	SPRING CLIP		1	
15	00 0205 574 0	HOSE	18X3,5 ROLLE, LSN NOTWEN	1	8)
15	00 0409 724 1	INSULATING MAT	0,15X25 X 25000	1	
16	00 0625 882 0	SUPPORT	F.REGULIERVENT.	1	
17	00 0755 648 0	CABLE RING	A 8X11X1	1	
18	00 0205 590 0	CORRUGAT. CONDUIT	NW 26 / PRO ROLLE = 1 25M	1	9)
19	00 0625 883 0	HEATER CORE		1	
20	00 0625 893 0	ANGLE	1,5X0063X0100	1	
21	00 0237 464 0	HEXAGON HEAD BOLT	M06X12	2	
21	00 0236 169 0	HEXAGONAL NUT	M6	2	
21	00 0239 392 0	CONTACT WASHER	B6 -6,1X18X1,4	2	
22	00 0622 875 2	BALL-TYPE TAP	DN 8 PN16	2	
23	00 0405 126 0	ANGULAR PIECE	3/8Z A4	1	
24	00 0405 243 0	REDUCING NIPPLE	1/2ZX3/8Z N4	2	
25	00 0205 590 0	CORRUGAT. CONDUIT	NW 26 / PRO ROLLE = 1 25M	1	9)
26	00 0237 729 1	HEXAGON SHEET METAL SCREW	ST4,8X16-C	1	
27	00 0235 505 0	HEXAGON HEAD BOLT	M06X30	1	10)
27	00 0239 392 0	CONTACT WASHER	B6 -6,1X18X1,4	1	11)
27	00 0236 169 0	HEXAGONAL NUT	M6	1	
27	00 0239 392 0	CONTACT WASHER	B6 -6,1X18X1,4	1	
28	00 0608 803 0	SPACER RING	10X 20X10	1	10)
28	00 0200 699 0	SEAL BAND	FRP - 12,5X0, 08X12000	1	

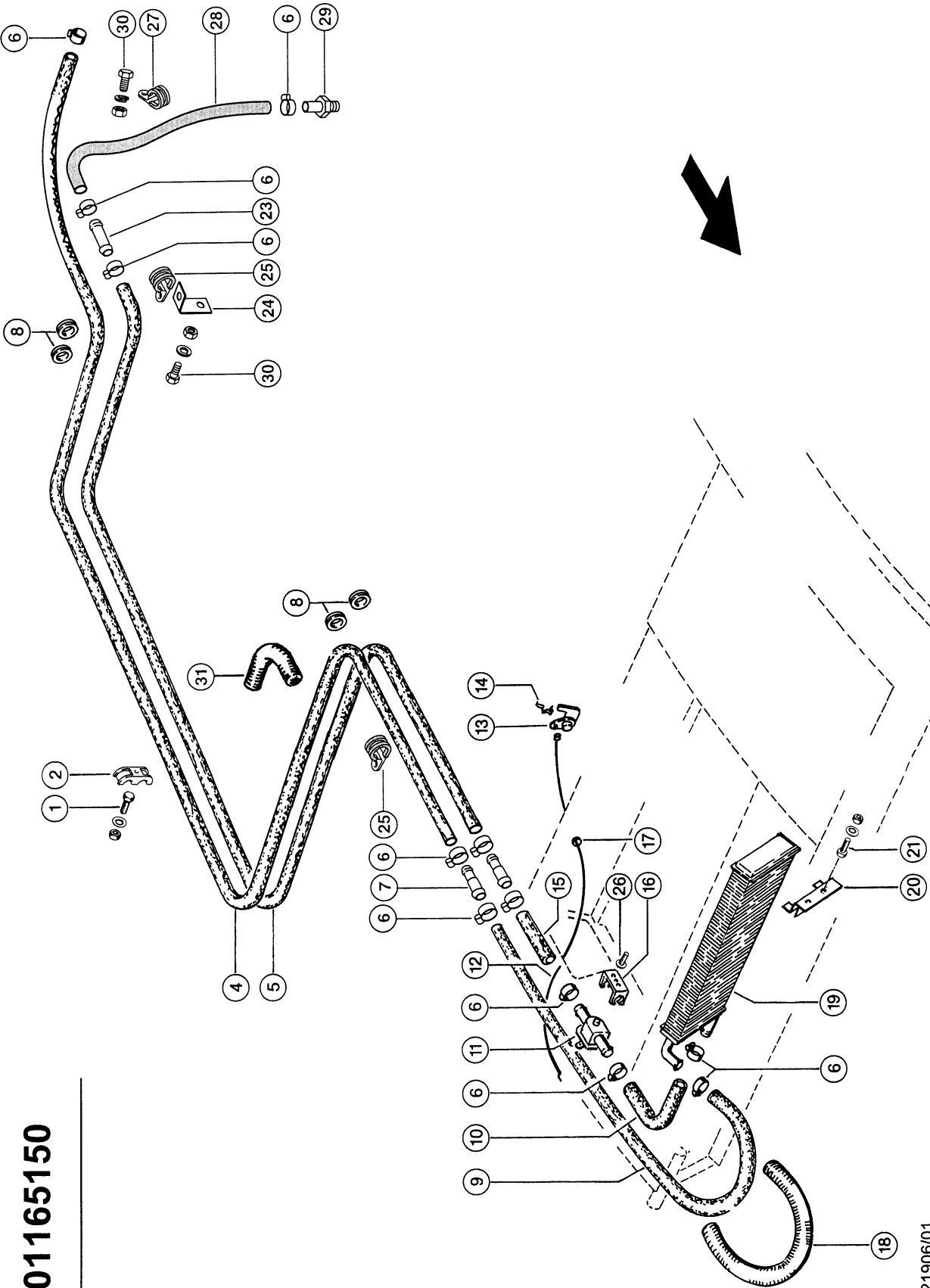
1) Remarks	Q 04 / 10 Up To Serial No. 56800799
2) Remarks	200 mm long
3) Remarks	4990 mm long
4) Remarks	4040 mm long
5) Remarks	1840 mm long

CAB HEATER 1)

6) Remarks	From No. 56800462
7) Remarks	Up To No. 56800461
8) Remarks	1270 mm long
9) Remarks	350 mm long
10) Remarks	From No. 56800500
11) Remarks	Up To No. 56800499

12A

00387z01



01165150

121906/01

CAB HEATER 1)

Pos.	Part No.	Description	Dimension	Quantity	Conditions
1	00 0059 202 0	HEXAGON HEAD BOLT	M 6X75	2	2)
1	00 0242 374 0	HEXAGON HEAD BOLT	M 6X80	2	3)
1	00 0242 444 1	HEXAGON HEAD BOLT	M06X50	1	
1	00 0235 343 1	COACH BOLT	M 6X40	3	
1	00 0236 170 0	HEXAGONAL NUT	M8	6	
1	00 0239 393 1	CONTACT WASHER	B8 -8,2X22X1,9	6	
2	00 0762 137 0	DOUBLE CLAMP	22/22	6	
4	00 0205 351 0	HOSE	15X3,5 ROLLE, LSN NOTWEN	1	4)
5	00 0205 351 0	HOSE	15X3,5 ROLLE, LSN NOTWEN	1	5)
5	00 0409 724 1	INSULATING MAT	0,15X25 X 25000	1	
6	00 0215 408 1	HOSE CLAMP	W.ERS.D.2154082	12	6)
7	00 0625 848 0	PIPE FITTING	D20XD17XD15	2	7)
8	00 0622 932 0	CABLE RING	C21-28X38X1,5	4	
9	00 0205 574 0	HOSE	18X3,5 ROLLE, LSN NOTWEN	1	8)
10	00 0625 847 0	ELBOW		1	
11	00 0625 880 0	CONTROL VALVE		1	9)
11	00 0014 538 2	SOLENOID VALVE	HEIZUNG	1	10)
12	00 0625 559 0	CABLE	1450 LG	1	
13	00 0625 619 1	HEATER CONTROL		1	9)
14	00 0625 881 0	SPRING CLIP		1	9)
15	00 0205 574 0	HOSE	18X3,5 ROLLE, LSN NOTWEN	1	11)
15	00 0409 724 1	INSULATING MAT	0,15X25 X 25000	1	
16	00 0625 882 0	SUPPORT	F.REGULIERVENT.	1	
17	00 0755 648 0	CABLE RING	A 8X11X1	1	
18	00 0205 410 0	CORRUGAT. CONDUIT	ROL25	1	12)
18	00 0136 568 0	CORRUGAT. CONDUIT	M-NW29-PG29/M40 NW 26 1000 LG	1	3)
19	00 0625 883 0	HEATER CORE		1	
20	00 0625 893 0	ANGLE	1,5X0063X0100	1	
21	00 0237 464 0	HEXAGON HEAD BOLT	M06X12	2	
21	00 0236 169 0	HEXAGONAL NUT	M6	2	
21	00 0239 392 0	CONTACT WASHER	B6 -6,1X18X1,4	2	
23	00 0622 876 0	UNION	15X1,5X60	2	
24	00 0713 846 0	SUPPORT ANGLE	25X5X82	1	
25	00 0238 247 0	HOLDER CLAMP	D2-23-23X15	2	
26	00 0237 729 1	HEXAGON SHEET METAL SCREW	ST4,8X16-C	1	
27	00 0215 394 0	HOLDER CLAMP	D1-24X20	1	
28	00 0205 351 0	HOSE	15X3,5 ROLLE, LSN NOTWEN	1	13)
29	00 0796 106 0	ADAPTER	1/2" - DN15	1	
30	00 0237 442 0	HEXAGON HEAD BOLT	M8X25	3	
30	00 0236 170 0	HEXAGONAL NUT	M8	3	
30	00 0239 387 0	CONTACT WASHER	A8 -8,2X18X1,4	3	
31	00 0205 590 0	CORRUGAT. CONDUIT	NW 26 / PRO ROLLE = 1 25M		
31	00 0200 699 0	SEAL BAND	FRP - 12,5X0, 08X12000	1	

1) Remarks From Serial No. 56800800

2) Remarks From No. 56800822

3) Remarks Up to No. 56800821

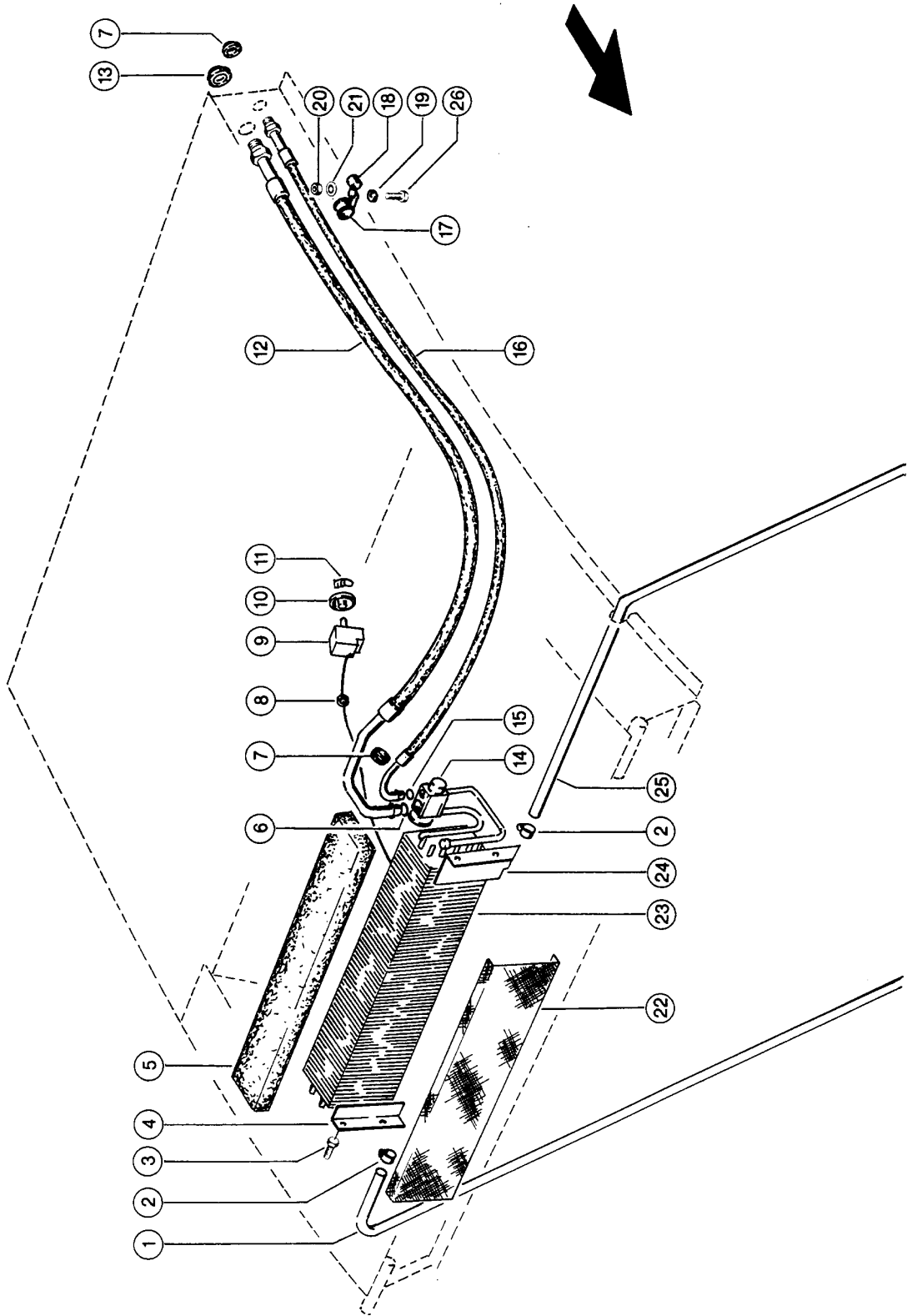
4) Remarks 5050 mm long

CAB HEATER 1)

5) Remarks	4850 mm long
6) Remarks	(10)
7) Remarks	(1)
8) Remarks	700 mm long
9) Remarks	Q 02/80
10) Remarks	Q 02/70
11) Remarks	60 mm long With Heater Only
12) Remarks	350 mm long From No. 56800822
13) Remarks	850 mm long

13

01161543



117418/01

This as a preview PDF file from best-manuals.com



Download full PDF manual at best-manuals.com