

**2140 / 2150 / 2160 / 2170 / 2170XD / 2190
2140CE / 2150CE / 2160CE / 2170CE / 2170XD CE / 2190CE
Large Rectangular Baler
REPAIR TIME SCHEDULE**

Form Number 4283391M4

Contents

Section	Description
1	Drives
2	Pickup
3	Electrical
4	Charge an Plunger
5	Knotter and Lube
6	Frame Wheels and Shields
7	Hydraulics
8	Decal and Kits
9	Accumulator

Large Rectangular Baler RTS

A. TIME ALLOWANCE

The times listed in this publication are the result of careful study of the operation concerned; they represent the average time ONE trained dealer mechanic, of normal ability has taken to carry out the operation in a typical dealership, using standard workshop tooling and equipment including air tools, located for reasonable access and working conditions. They DO NOT include any traveling to or from the farm or site.

The machine is assumed to be clean and to be bare of any extra equipment or attachment of non "AGCO" manufacture, and delivered to an authorized and duly equipped workshop where trained personnel and spare parts required to perform the operations are immediately available.

The times given include difficulties encountered working on used as opposed to new machines, and are based on methods and recommended tools shown in the workshop manual.

The times are based on a second hand machine in reasonable condition properly maintained using approved parts. Extra time may be required to deal with seized, rusted or damaged parts.

Allowances are included in the operation times quoted for obtaining all tools and parts, cleaning and testing after repair. Diagnostic time is included in the time allowance unless a separate code is listed for diagnostic time.

The times given in this Repair Time Schedule are for a complete job from start to finish, including allowances for intermediate operations.

B. TIMES

All the operating times are presented in hours and the decimal parts of an hour. Decimal times must be used on all warranty claims.

The times given in this repair time schedule are for a complete job from start to finish. Where access has been gained for an adjacent repair only the additional time for the second repair will be accepted and not the total time for the two failures.

C. REVIEW OF TIMES

If you find any improvement in the method which reduces the time of an operation or you find you cannot meet an operation time after more than three attempts using the recommended method, a "Request for Review of Time" form (see next page) must be submitted quoting all relevant details. Photo copy the form and fax it to the following address:

AGCO Corporation

Attn: Technical Services and Support

FAX (620) 327-5713

D. AMENDMENTS

All times contained in this schedule are based on the latest information available at the time of this publication. The right is reserved to publish revision at any time. All operation times are subject to amendment if the design, method or technique changes result in alteration of time taken.

E. REQUEST FOR REVIEW OF TIME SCHEDULE

Request for Review of Time Schedule

Dealer Name: _____ Date: _____

Address: _____

RTS Publication No.: _____ Failure Code No.: _____

Machine Model: _____ Serial No.: _____

We disagree with your time allowance against the above failure code number. We have observed and accurately timed this operation as carried out by a trained mechanic using recommended procedures and special tools. Our findings are detailed below:

Analysis of Time		
Work Performed	Time	Remarks
Remove Component		
Dismantle		
Clean and Inspect		
Obtain Parts and tools		
Reassemble		
Reinstall		
Adjust and test		
TOTAL OF TIME		
Number of mechanics used on job.		

Printed Name: _____ Signed: _____

Fax To:
AGCO Corporation
Attn: Technical Services and Support
(620) 327-5713

LARGE RECTANGULAR BALER / ACCUMULATOR

ACCUMULATOR

ACCUMULATOR LUBE KIT (700710808 ACCUMULATOR LUBE KIT)	221
BALE SHIFT BAR AND LINKAGE	212
BALE WEIGHT KIT (BK41118 BALE WEIGHT KIT)	219
BALE WEIGHT KIT (W/ BC ELEC.) (Continued)	220
CART ASSEMBLY (UNLATCHING)	211
CART-LEFT	213
CART-RIGHT	214
DECALS-ACCUMULATOR	217
ELECTRICAL (SWITCH AND SOLENOID)	210
ELECTRICAL CONTROL BOX ASSEMBLY (6811137 CONTROL BOX ASSEMBLY)	209
FRAME AND PANEL (REAR)	215
HITCH AND BALE SUPPORT	206
HYDRAULIC AND ELECTRICAL MOUNTING	207
HYDRAULIC CYLINDER ASSEMBLY (7896079 HYDRAULIC CYLINDER ASSEMBLY)	208
LUBE ASM. (CENTRALIZED FOR ACCUMULATOR)	216
MAINFRAME	204
MAINFRAME AND CASTER MOUNTING	203
ROAD LIGHT MOUNTING	218
WHEEL ASSEMBLY (CASTER)	205

CHARGE AND PLUNGER

BRAKE ASSEMBLY	86
DOG CLUTCH ASSEMBLY	85
EJECTOR MOUNTING (S.N. HS74101 THRU HT74461)	96
EJECTOR MOUNTING (S.N. HT74462 AND LATER)	97
FEEDER CHUTE (S.N. HS74101 THRU HT74262)	87
FEEDER CHUTE (S.N. HT74263 AND LATER)	88
HOLDING FINGER (STUFFER CHAMBER)	92
PACKER AND AUGER MOUNTING (S.N. HT74101 AND LATER)	78
PACKER AND AUGER MOUNTING (S.N. HS74101 THRU HT74100)	77
PACKER AND AUGER MOUNTING (S.N. HS74101 THRU HT74100) (Continued)	79
PACKER AND AUGER MOUNTING (S.N. HT74101 AND LATER) (Continued)	80
PACKER CRANK	82
PACKER CRANK MOUNTING	81
PACKER STRUTS AND WRAPPERS (S.N. HS74101 THRU HT74262)	89
PACKER STRUTS AND WRAPPERS (S.N. HT74263 AND LATER)	90
PLUNGER ASSEMBLY	94
PLUNGER STRIPPER MOUNTING	95
ROD ARM MOUNTING	93
STUFFER CLUTCH LINKAGE	91
STUFFER DRIVE (LEFT)	83
STUFFER DRIVE (RIGHT)	84

DECAL AND KITS

ACCUMULATOR MOUNTING KIT (MK41207 ACCUMULATOR MOUNTING KIT)	193
BALE CHUTE KIT (MK41208 BALE CHUTE KIT)	189
BALE CHUTE-ROLLER KIT (Continued)	191
BALE CHUTE-ROLLER KIT (MK41281 BALE CHUTE-ROLLER KIT)	190
BLOWER	202
DECALS-LOGO	184
DECALS-OPERATIONAL (CE)	187
DECALS-OPERATIONAL (CE) (Continued)	188
DECALS-OPERATIONAL (NON CE)	185
DECALS-OPERATIONAL (NON CE) (Continued)	186
DRIVELINE KIT, PRIMARY (NON CE) (MK41212 DRIVELINE KIT) (1-3/8 INCH X 21 SPLINE TRAC- TOR)	196
DRIVELINE KIT, PRIMARY (NON CE) (MK41213 DRIVELINE KIT) (1-3/4 INCH X 20 SPLINE TRAC- TOR)	197
GTA I CONSOLE KIT (NON CE) (MK51261 GTA I CONSOLE KIT)	198
GTA II CONSOLE KIT (NON CE) (MK41262 GTA II CONSOLE KIT)	199
GTA II CONSOLE KIT (NON CE) (MK41264 GTA II CONSOLE KIT W/O MONITOR)	200
HYDRAULIC BLOWER KIT (MK41278 KNOTTER BLOW KIT)	201
SHEAR BOLT KITS	195
VALVE ASSEMBLY (ACCUMULATOR MOUNTING) (700727447 VALVE ASSEMBLY)	194

DRIVES

CUTTER DRIVE	25
CUTTER GEARBOX ASSEMBLY	26
CUTTER SLIP CLUTCH ASSEMBLY (700140066 CLUTCH ASSEMBLY-SLIP)	27
DRIVE SHAFT	11
DRIVE-AUXILIARY (LEFT) (S.N. HS74101 THRU HT74262)	20
DRIVE-AUXILIARY (LEFT) (S.N. HT74263 AND LATER)	21
DRIVE-RIGHT (AUXILIARY)	22
DRIVELINE ASSEMBLY, PRIMARY (1-3/4 INCH X 20 SPLINE TRACTOR) (NON CE)	14
DRIVELINE ASSEMBLY, PRIMARY (1-3/8 INCH X 21 SPLINE TRACTOR) (NON CE)	13
DRIVELINE ASSEMBLY, PRIMARY (CE) (1-3/4 INCH X 20 SPLINE TRACTOR)	16
DRIVELINE ASSEMBLY, PRIMARY (CE) (1-3/8 INCH X 21 SPLINE TRACTOR)	15
DRIVELINE ASSEMBLY, SECONDARY	12
FLYWHEEL BRAKE	17
FLYWHEEL CLUTCH ASSEMBLY	10
GEARBOX ASSEMBLY (700723443 GEARBOX ASSEMBLY)	19
GEARBOX MOUNTING AND FLYWHEEL	18
HITCH AND JACK MOUNTING	7
HITCH AND MOUNTING (CE)	8
MAIN DRIVE	9
SHAFT AND SPROCKET (AUXILIARY)	23
SLIP CLUTCH (AUXILIARY)	24

ELECTRICAL

CUTTER WIRING	67
ELECTRICAL KIT (BOX OF SERVICE PARTS) (700154471 BOX OF SERVICE PARTS)	66
ELECTRICAL-LIGHTS (CE)	72
ELECTRICAL-LIGHTS (CE) (Continued)	73
ELECTRICAL-LIGHTS (NON CE)	68
ELECTRICAL-LIGHTS (NON CE) (Continued)	69
ELECTRICAL-LIGHTS (NON CE) (Continued) (S.N. HS74101 THRU HT74115)	70
ELECTRICAL-LIGHTS (NON CE) (Continued) (S.N. HT74116 AND LATER)	71
GTA I CONSOLE AND MOUNTING (CE)	60
GTA I CONSOLE AND MOUNTING (NON CE)	58
GTA II CONSOLE AND MOUNTING (CE)	61
GTA II CONSOLE AND MOUNTING (NON CE)	59
GTA MOUNTING (OPTIONAL PARTS)	62
UPPER WIRING	64
WIRING-CONTROL BOX	63
WIRING-LOWER CONTROL	65

FRAMEWHEELS AND SHIELDS

ACTUATOR ASSEMBLY-PARK BRAKE (700721855 ACTUATOR ASSEMBLY)	166
AIR BRAKES-SINGLE AXLE	167
AIR BRAKES-TANDEM AXLE	168
AXLE ASSEMBLY (TANDEM)	156
AXLE MOUNTING-SINGLE AXLE	151
AXLE-RIGID WITHOUT BRAKES (TANDEM)	160
BALE DENSITY DOORS AND ARMS	123
BRAKE ASSEMBLY-LEFT (SINGLE AXLE) (700144079 BRAKE AND SPINDLE ASSEMBLY)	154
BRAKE ASSEMBLY-RIGHT (SINGLE AXLE) (700144078 BRAKE AND SPINDLE ASSEMBLY)	155
BRAKE MOUNTING-SINGLE AXLE	153
BRAKES AND RIGID AXLE (TANDEM) (LEFT SIDE SHOWN, RIGHT SIDE OPPOSITE)	157
DOOR-LEFT	137
DOOR-RIGHT	138
DUST COVER-BRAKES (700730760 DUST COVER KIT)	159
HANDRAIL MOUNTING	149
HUB AND SPINDLE-SINGLE AXLE (WITHOUT BRAKES)	152
HUB ASSEMBLY (TANDEM) (LEFT SIDE SHOWN, RIGHT SIDE OPPOSITE)	161
KNOTTER SHIELD LATCHES (CE)	129
KNOTTER SHIELD LATCHES (NON CE)	128
KNOTTER SHIELD-WITHOUT BLOWER	130
KNOTTER SHIELDS	125

FRAMEWHEELS AND SHIELDS (CONTINUED)

KNOTTER SHIELDS (S.N. HS74101 THRU HS74130)	126
KNOTTER SHIELDS (S.N. HS74131 AND LATER)	127
LOWER SHIELDS-SINGLE AXLE	147
LOWER SHIELDS-TANDEM AXLE	148
PARK BRAKE-SINGLE AXLE	164
PARK BRAKE-TANDEM AXLE	165
PLUNGER RAILS, KNIVES AND HAY DOG	122
SHIELD ASSEMBLY-FRONT, LEFT (700143291 SHIELD ASSEMBLY-FRONT, LEFT)	139
SHIELD ASSEMBLY-FRONT, RIGHT (700143292 SHIELD ASSEMBLY-FRONT, RIGHT)	140
SHIELD SUPPORT-LEFT	135
SHIELD SUPPORT-RIGHT	136
SHIELDS-FRONT	124
SHIELDS-LOWER, SINGLE, CUTTER	141
SHIELDS-LOWER, SINGLE, NO CUTTER (S.N. HS74101 THRU HT74100)	142
SHIELDS-LOWER, SINGLE, NO CUTTER (S.N. HT74101 AND LATER)	143
SHIELDS-LOWER, TANDEM, CUTTER	144
SHIELDS-LOWER, TANDEM, NO CUTTER (S.N. HS74101 THRU HT74100)	145
SHIELDS-LOWER, TANDEM, NO CUTTER (S.N. HT74101 AND LATER)	146
STEERING AXLE (TANDEM)	162
STEERING AXLE BRAKES (TANDEM) (LEFT SIDE SHOWN, RIGHT SIDE OPPOSITE)	158
TOOL BOX ASSEMBLY	150
TWINEBOX AND LADDER MOUNTING-LEFT	131
TWINEBOX MOUNTING-RIGHT	132
TWINEBOX-LEFT	133
TWINEBOX-RIGHT	134
WHEELS	163

HYDRAULICS

BALE EJECTOR HYDRAULIC	182
BLOWER	179
BLOWER HYDRAULICS	178
HYDRAULIC AUTO BRAKE (CE)	183
HYDRAULIC BALE DENSITY	174
HYDRAULIC CYLINDER (PICKUP LIFT) (700726996 HYDRAULIC CYLINDER ASSEMBLY)	170
HYDRAULIC CYLINDER ASSEMBLY (700720351 HYDRAULIC CYLINDER ASSEMBLY)	181
HYDRAULIC RESERVOIR	173
HYDRAULIC VALVE ASSEMBLY (BALE DENSITY) (700723497 VALVE ASSEMBLY)	172
HYDRAULIC-FRONT	171
HYDRAULICS-BRAKE, SINGLE AXLE	175
HYDRAULICS-BRAKE, TANDEM AXLE (LEFT SIDE SHOWN, RIGHT SIDE OPPOSITE)	176
HYDRAULICS-CUTTER	180
PICKUP HYDRAULICS	169
STEERING LOCK-TANDEM AXLE	177

KNOTTER AND LUBE

KNOTTER	99
KNOTTER (BOX OF SERVICE PARTS) (700150670 BOX OF SERVICE PARTS)	121
KNOTTER ARM MOUNTING	113
KNOTTER BRAKE	105
KNOTTER CLUTCH	104
KNOTTER HEAD ASSEMBLY (700113321 KNOTTER HEAD ASSEMBLY)	102
KNOTTER HEAD ASSEMBLY-Continued	103
KNOTTER LUBE	118
KNOTTER LUBE PUMP MOUNTING	117
KNOTTER LUBE VALVE (PRIMARY)	119
KNOTTER LUBE VALVE (SECONDARY)	120
KNOTTER MONITOR	116
KNOTTER SLACKER-UPPER	100
KNOTTER TWINE FINGER AND HAY DOG	106
MAIN KNOTTER SHAFT ASSEMBLY (700141371 MAIN KNOTTER SHAFT ASSEMBLY)	101
NEEDLE MOUNTING	98
STARWHEEL	111
STARWHEEL LINKAGE	110

KNOTTER AND LUBE (CONTINUED)

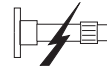
STARWHEEL MOUNTING	108
STARWHEEL TOWER	109
STARWHEEL U-JOINT	112
TENSION ARM ASSEMBLY	115
TENSIONER ASSEMBLY (700139336 TENSIONER ASSEMBLY) (700139338 TENSIONER ASSEMBLY) 107	
TENSIONER ASSEMBLY (LOWER)	114

PICKUP

CUTTER (S.N. HS74101 THRU HT74100)	53
CUTTER (S.N. HT74101 AND LATER)	54
CUTTER KNIVES	56
CUTTER KNIVES (Continued)	57
CUTTER MOUNTING (S.N. HS74101 THRU HT74262)	51
CUTTER MOUNTING (S.N. HT74263 AND LATER)	52
PICKUP ADAPTER-AUGER (CUTTER) (S.N. HS74101 THRU HT74100)	47
PICKUP ADAPTER-AUGER (CUTTER) (S.N. HS74101 THRU HT74100) (Continued)	49
PICKUP ADAPTER-AUGER (CUTTER) (S.N. HT74101 AND LATER)	48
PICKUP ADAPTER-AUGER (CUTTER) (S.N. HT74101 AND LATER) (Continued)	50
PICKUP AUGERS AND MOUNTING	33
PICKUP CLUTCH ASSEMBLY	38
PICKUP DRIVE (LEFT) (S.N. HS74101 THRU HT74100)	34
PICKUP DRIVE (LEFT) (S.N. HT74101 AND LATER)	35
PICKUP DRIVE (RIGHT) (S.N. HS74101 THRU HT74100)	36
PICKUP DRIVE (RIGHT) (S.N. HT74101 AND LATER)	37
PICKUP FLOTATION	32
PICKUP GAUGE WHEEL	46
PICKUP ROTOR ASSEMBLY	39
PICKUP SHIELDS (LEFT) (S.N. HS74101 THRU HT74100)	40
PICKUP SHIELDS (LEFT) (S.N. HT74101 AND LATER)	41
PICKUP SHIELDS (RIGHT) (S.N. HS74101 THRU HT74100)	43
PICKUP SHIELDS (RIGHT) (S.N. HT74101 AND LATER)	44
ROTOR ASSEMBLY	55
SHIELD-LEFT MOUNTING (700142860 SHIELD ASSEMBLY LEFT)	42
SHIELD-RIGHT MOUNTING (700142861 SHIELD ASSEMBLY-RIGHT)	45
WINDGUARD (S.N. HS74101 THRU HT74100)	28
WINDGUARD (S.N. HT74101 AND LATER)	29
WRAPPER, WEARPLATE AND SCRAPER MOUNTING (S.N. HS74101 THRU HT74100)	30
WRAPPER, WEARPLATE AND SCRAPER MOUNTING (S.N. HT74101 AND LATER)	31

LARGE RECTANGULAR BALER / ACCUMULATOR DRIVES

Item



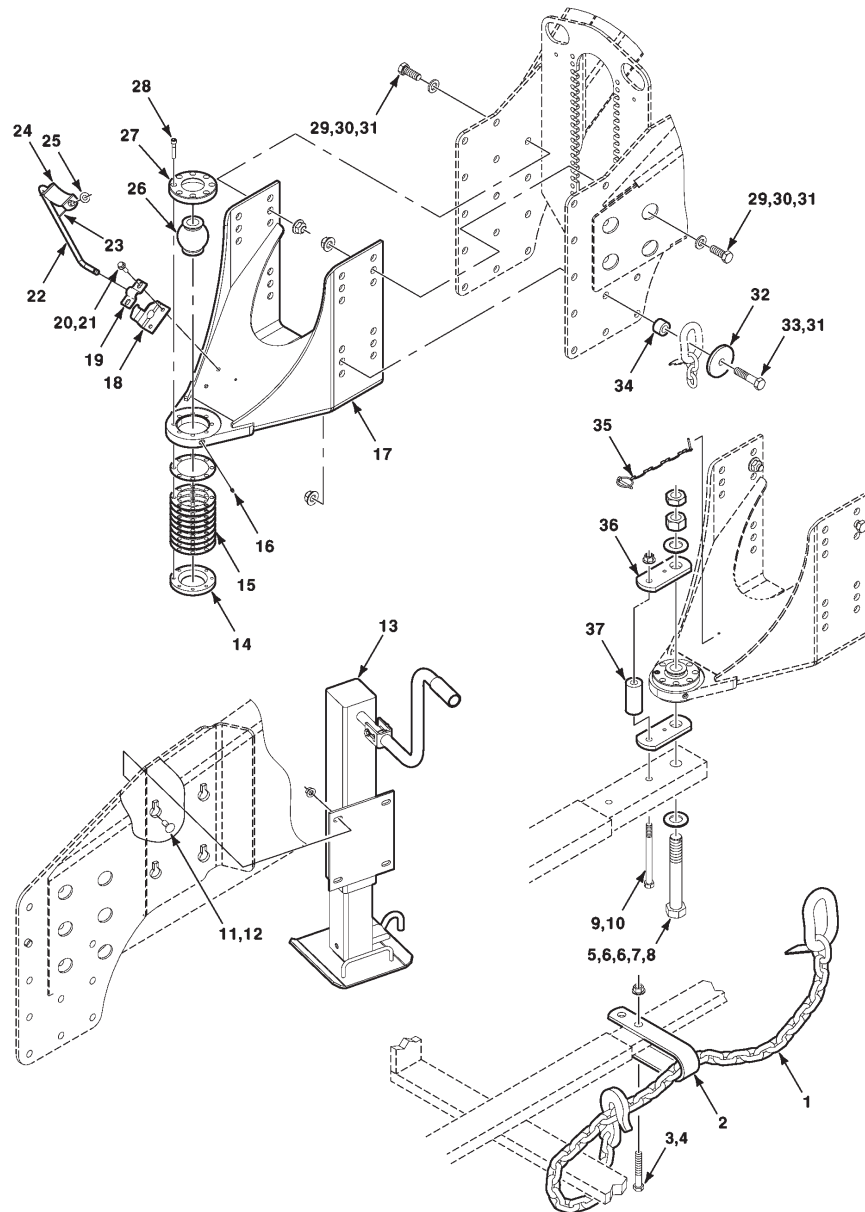
Description

7

HITCH AND JACK MOUNTING

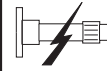
- 1 MF 20 01 0.5 CHAIN-SAFETY
- 2 MF 20 02 0.5 CLEVIS-SAFETY CHAIN
- 13 MF 20 03 0.5 JACK ASSEMBLY
- 17 MF 20 04 1.8 HITCH WA-BALL
- 22 MF 20 05 0.5 ROD-SUPPORT
- 26 MF 20 06 1.2 BALL-HITCH

700141095-0



**LARGE RECTANGULAR BALER / ACCUMULATOR
DRIVES**

Item



Description

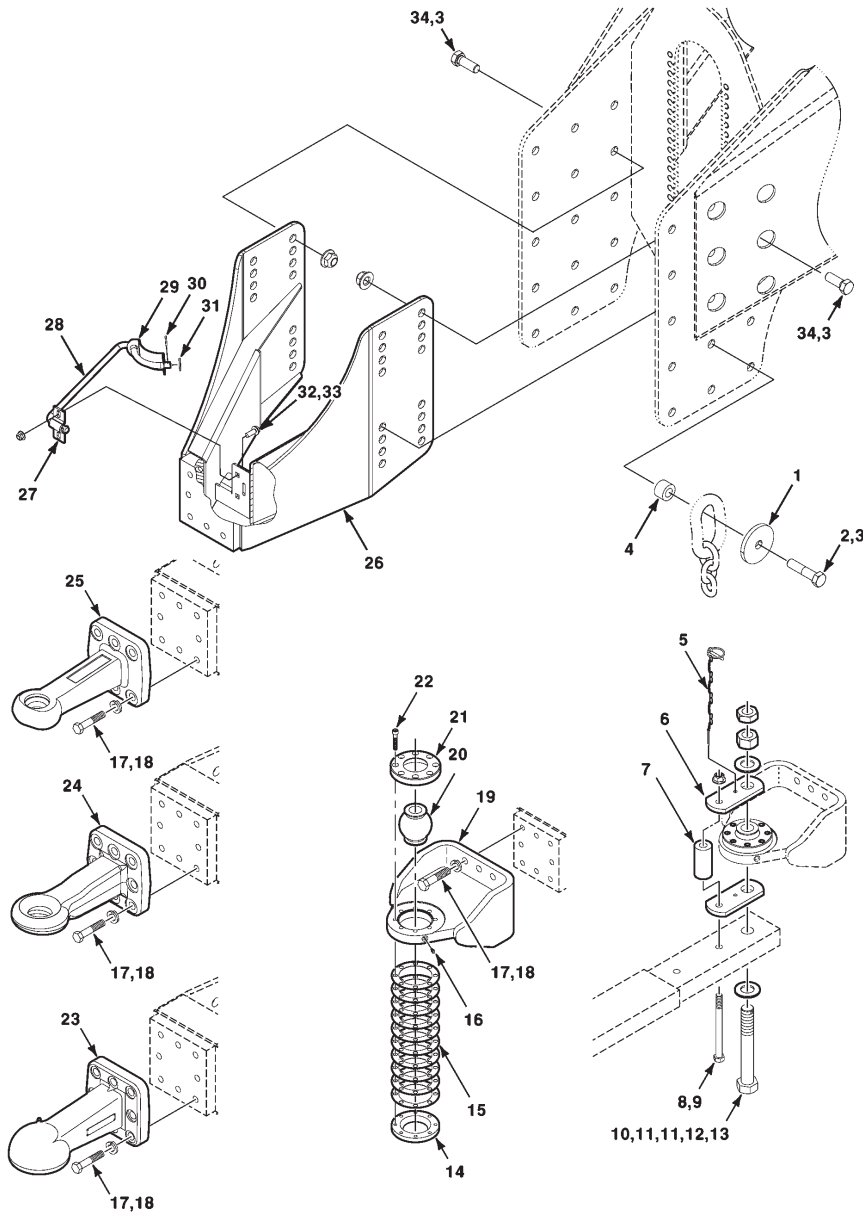
8

HITCH AND MOUNTING (CE)

- 19 MF 20 93 0.5
- 20 MF 20 06 1.2
- 23 MF 20 94 0.5
- 24 MF 20 95 0.5
- 25 MF 20 96 0.5
- 26 MF 20 97 1.8
- 28 MF 20 05 0.5

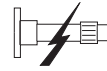
- HITCH WA
- BALL HITCH
- COUPLING-BALL
- COUPLING-50mm RING
- COUPLING-40mm RING
- HITCH ASSEMBLY-HIGH/LOW
- ROD-SUPPORT

700953841-0



**LARGE RECTANGULAR BALER / ACCUMULATOR
DRIVES**

Item



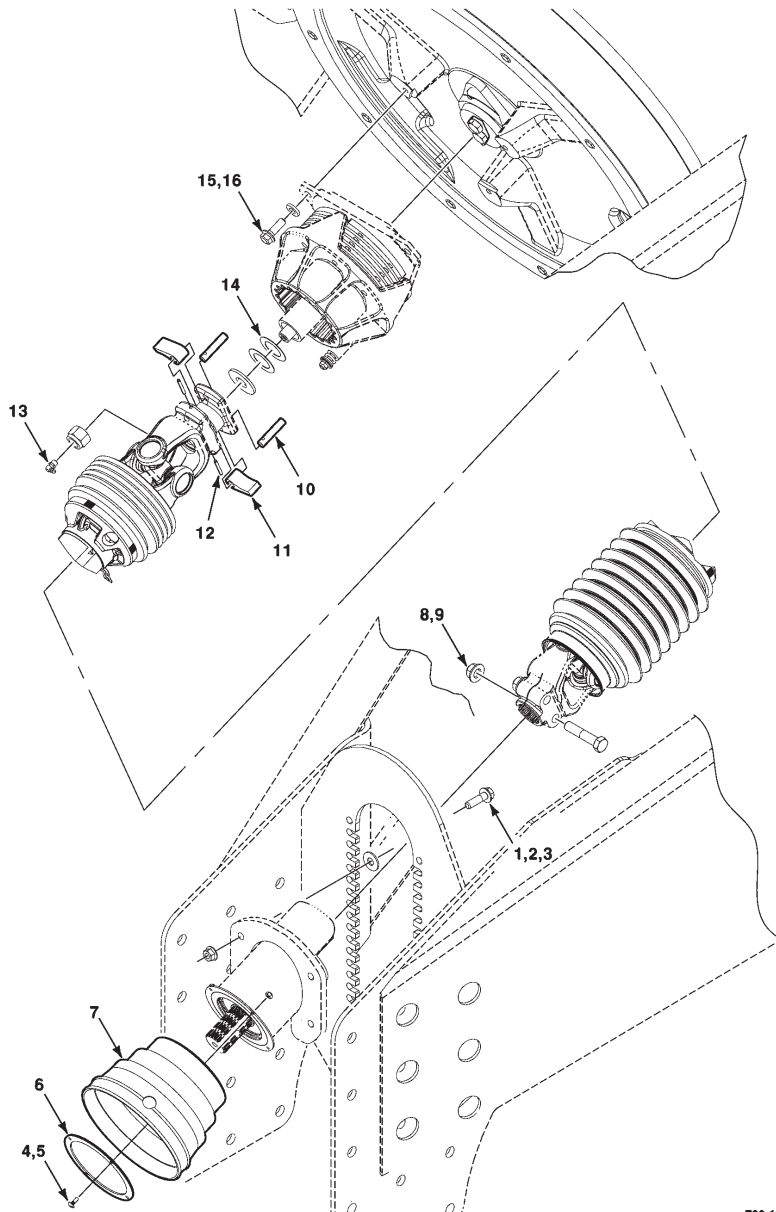
Description

9

MAIN DRIVE

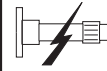
- 10 DR 20 01 1.8 PIN-PAWL
- 11 DR 20 02 1.8 PAWL-CLUTCH
- 12 DR 20 03 1.8 PIN-SLOTTED SPRING, 3/16 X 1-1/2
- 14 DR 20 04 1.5 SHIM-CLUTCH

700141012-0



**LARGE RECTANGULAR BALER / ACCUMULATOR
DRIVES**

Item



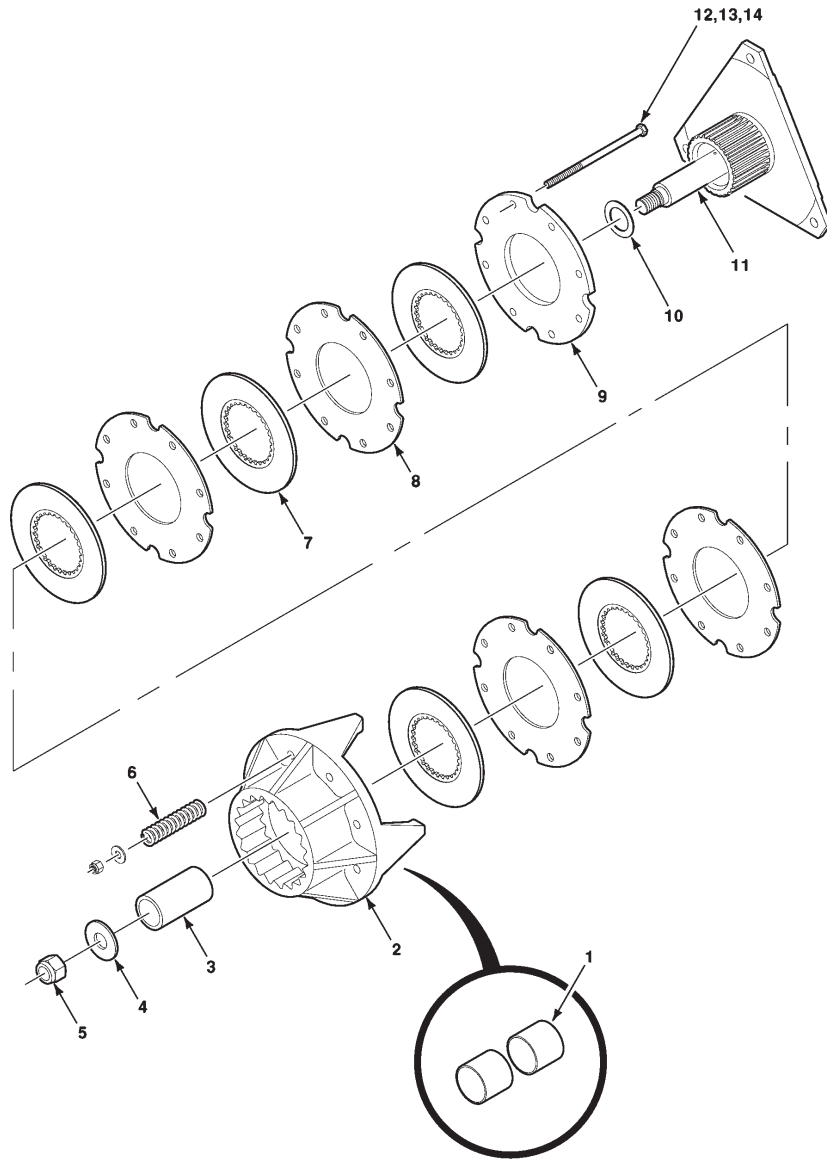
Description

10

FLYWHEEL CLUTCH ASSEMBLY

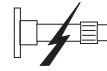
- 1 DR 20 05 2.5 BUSHING-BRONZE
- 2 DR 20 06 2.5 HOUSING ASSEMBLY-CLUTCH
- 3 DR 20 07 1.5 TUBE-HEADER, PICKUP
- 6 DR 20 08 0.5 SPRING-COMPRESSION
- 7 DR 20 09 2.5 DISC ASSEMBLY-FRICTION
- 8 DR 20 10 2.5 PLATE-CLUTCH
- 9 DR 20 11 2.5 PLATE-CLUTCH
- 11 DR 20 12 2.0 PILOT WA-CLUTCH

700141152-0



**LARGE RECTANGULAR BALER / ACCUMULATOR
DRIVES**

Item



Description

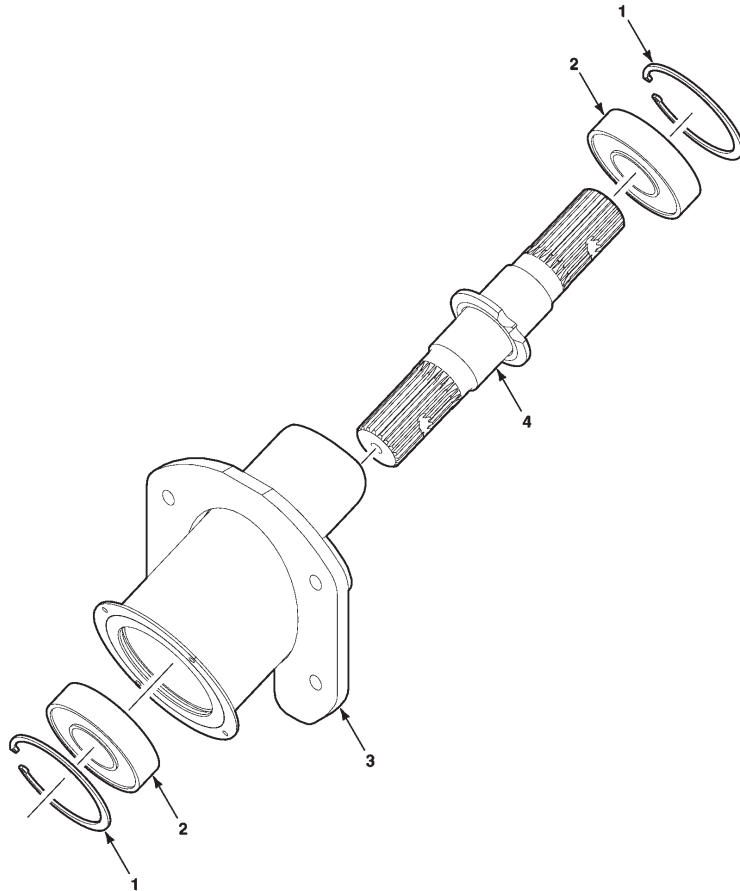
11

DRIVE SHAFT

- 1 DR 10 01
- 2 DR 70 01
- 3 DR 70 02
- 4 DR 10 02

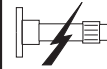
- 1.0 RING-RETAINING
- 2.0 BEARING-CYLINDRICAL
- 2.0 SUPPORT WA-SHAFT
- 2.0 SHAFT WA-DRIVE

700141156-0



LARGE RECTANGULAR BALER / ACCUMULATOR DRIVES

Item



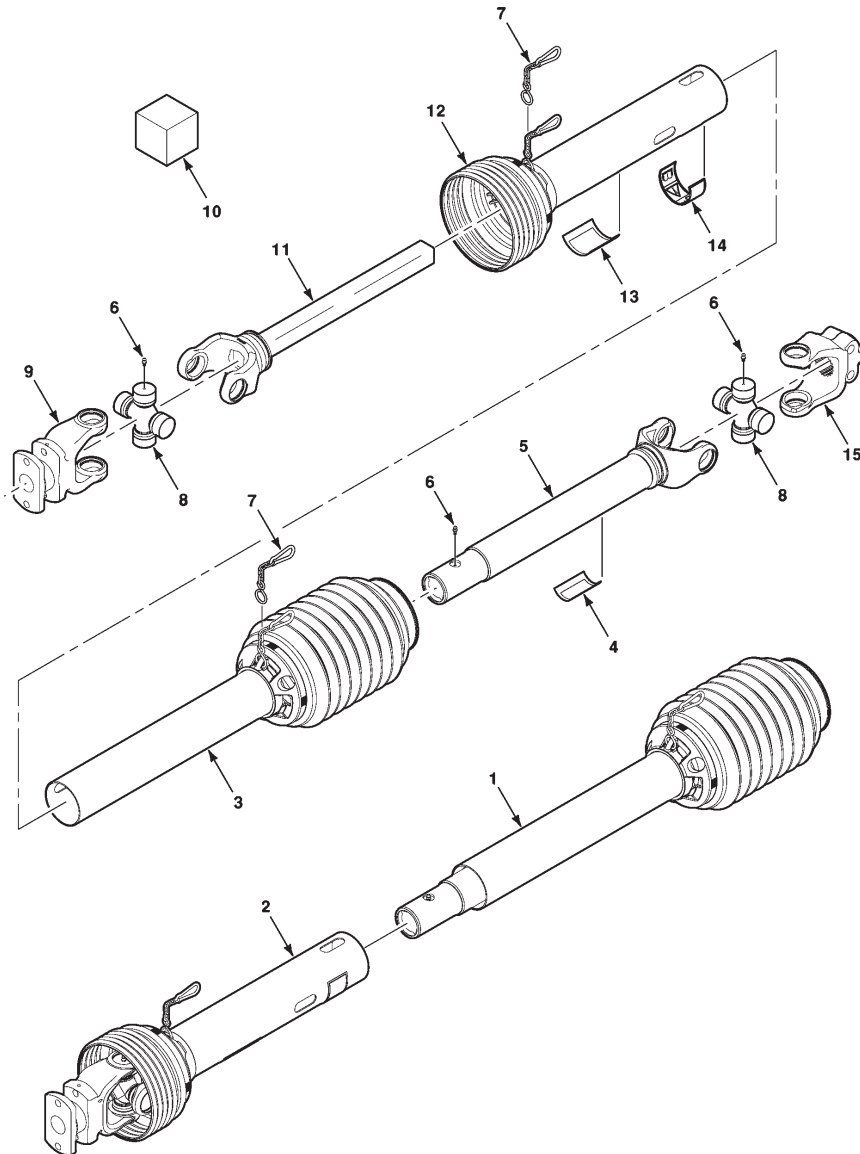
Description

12

DRIVELINE ASSEMBLY, SECONDARY

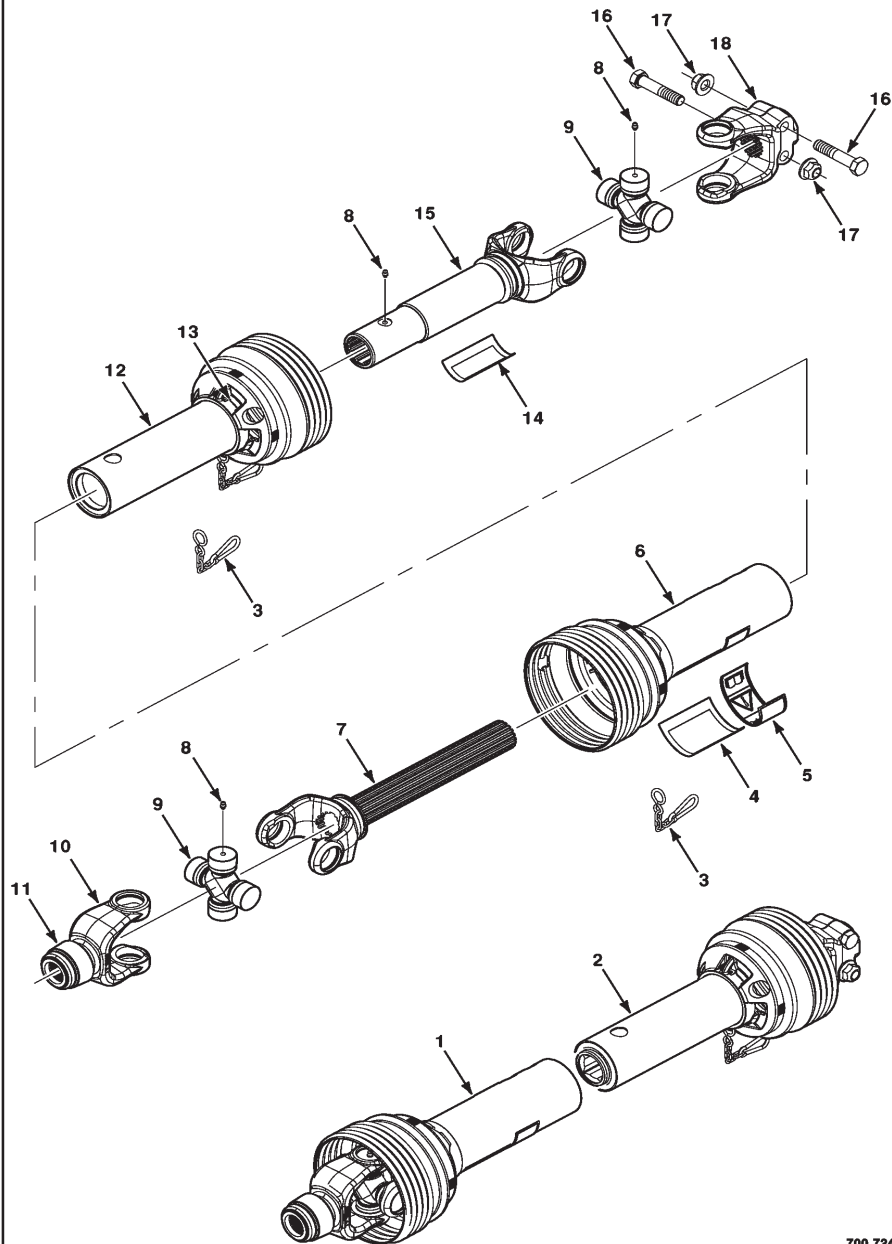
- 1 DR 10 03 0.5 U-JOINT AND TUBE HALF WITH GUARD
- 2 DR 10 04 0.5 U-JOINT AND SHAFT HALF WITH GUARD
- 3 DR 10 05 1.0 INNER GUARD
- 4 SH 30 01 0.5 DECAL-DANGER, SHIELD MISSING
- 5 DR 10 06 1.5 YOKE, TUBE AND SLIP SLEEVE [A]
- 7 DR 70 03 0.5 CHAIN KIT
- 8 DR 10 07 1.2 CROSS AND BEARING KIT
- 9 DR 10 08 2.5 YOKE
- 10 DR 10 09 1.0 NYLON REPAIR KIT
- 11 DR 10 10 2.5 YOKE AND SHAFT
- 12 DR 10 11 1.0 OUTER GUARD [A]
- 13 SH 30 02 0.5 DECAL-DANGER, PTO
- 14 SH 30 03 0.5 DECAL-WARNING CE
- 15 DR 10 12 1.2 YOKE

700724035-0



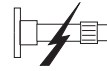
LARGE RECTANGULAR BALER / ACCUMULATOR DRIVES

DRIVELINE ASSEMBLY, PRIMARY
 (1-3/8 INCH X 21 SPLINE TRACTOR)
 (NON CE)



700 724 036-0

Item



Description

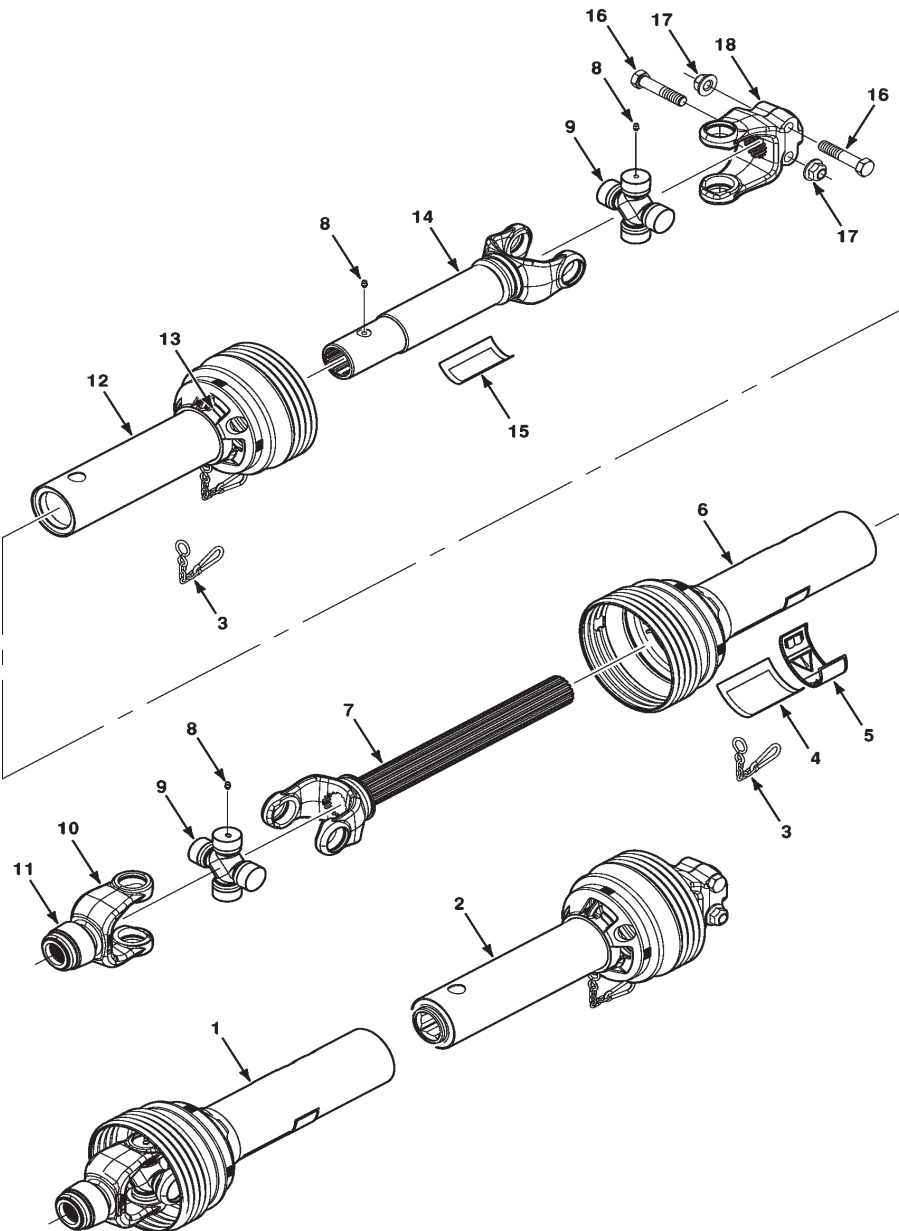
13

1	DR 10 13	0.5	U-JOINT AND SHAFT HALF WITH GUARD
2	DR 10 14	0.5	U-JOINT AND TUBE HALF WITH GUARD
3	DR 70 04	0.5	CHAIN KIT
4	SH 30 02	0.5	DECAL-DANGER, PTO
5	SH 30 03	0.5	DECAL-WARNING CE
6	DR 10 15	0.5	OUTER GUARD [A]
7	DR 10 16	1.2	YOKE AND SHAFT
9	DR 10 17	1.2	CROSS AND BEARING KIT
10	DR 10 18	1.0	AUTO-LOCK YOKE, 1-3/8 - 21
11	DR 10 19	0.5	AUTO LOCK REPAIR KIT
12	DR 10 20	0.5	INNER GUARD
13	DR 10 21	0.5	GUARD REPAIR KIT
14	SH 30 01	0.5	DECAL-DANGER, SHIELD MISSING
15	DR 10 22	1.2	YOKE, TUBE, AND SLIP SLEEVE [A]
18	DR 10 23	1.2	YOKE

700724036-0

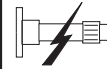
LARGE RECTANGULAR BALER / ACCUMULATOR DRIVES

DRIVELINE ASSEMBLY, PRIMARY
 (1-3/4 INCH X 20 SPLINE TRACTOR)
 (NON CE)



700 724 037-0

Item



Description

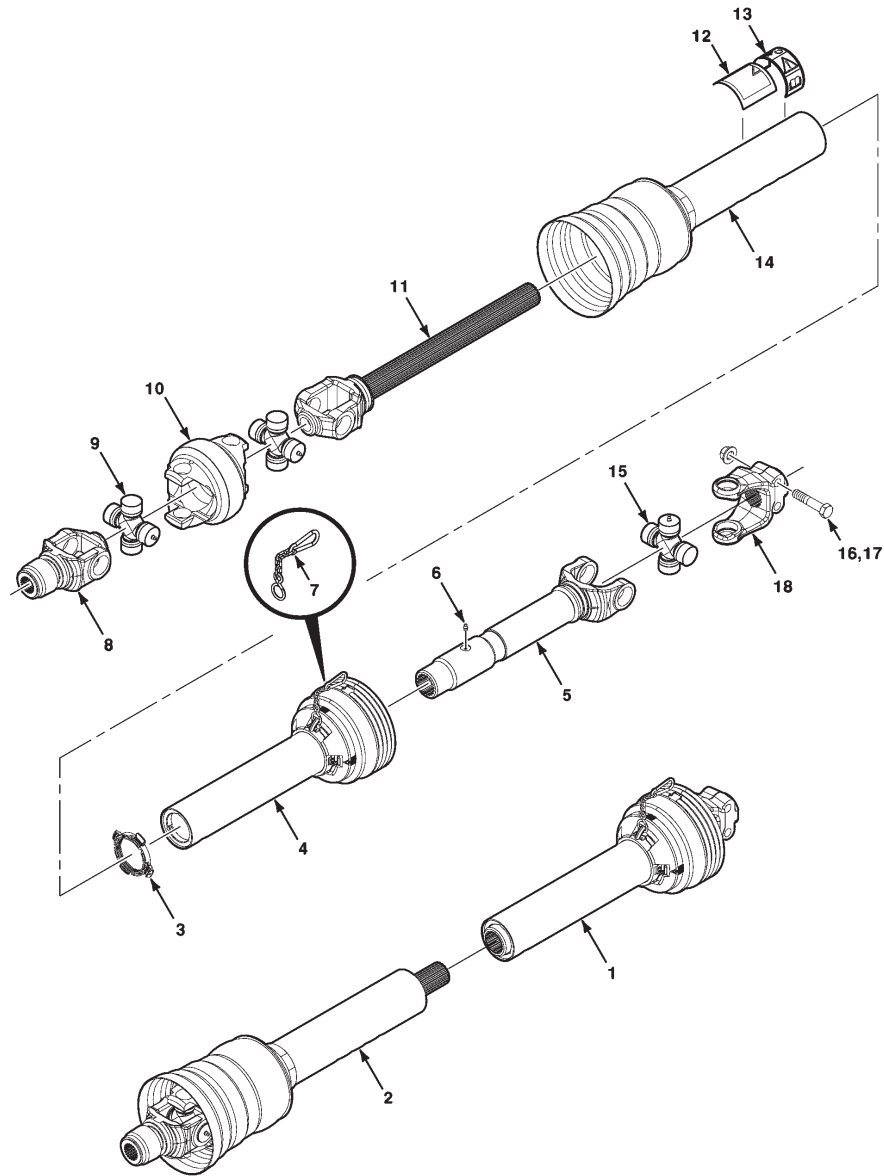
14

- | | | | |
|----|----------|-----|-----------------------------------|
| 1 | DR 10 24 | 0.5 | U-JOINT AND SHAFT HALF WITH GUARD |
| 2 | DR 10 25 | 0.5 | U-JOINT AND TUBE HALF WITH GUARD |
| 3 | DR 70 05 | 0.5 | CHAIN KIT |
| 4 | SH 30 02 | 0.5 | DECAL-DANGER, PTO |
| 5 | SH 30 03 | 0.5 | DECAL-WARNING CE |
| 6 | DR 10 26 | 0.5 | OUTER GUARD [A] |
| 7 | DR 10 27 | 1.2 | YOKE AND SHAFT |
| 9 | DR 10 28 | 1.2 | CROSS AND BEARING KIT |
| 10 | DR 10 29 | 1.0 | AUTO-LOK YOKE |
| 11 | DR 10 30 | 0.5 | AUTO LOC REPAIR KIT |
| 12 | DR 10 31 | 0.5 | INNER GUARD |
| 13 | DR 10 32 | 0.5 | GUARD REPAIR KIT |
| 14 | DR 10 33 | 1.2 | YOKE, TUBE, AND SLIP SLEEVE [A] |
| 15 | SH 30 01 | 0.5 | DECAL-DANGER, SHIELD MISSING |
| 18 | DR 10 34 | 1.2 | YOKE |

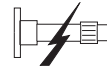
700724037-0

**LARGE RECTANGULAR BALER / ACCUMULATOR
DRIVES**

DRIVELINE ASSEMBLY, PRIMARY (CE)
(1-3/8 INCH X 21 SPLINE TRACTOR)



Item



Description

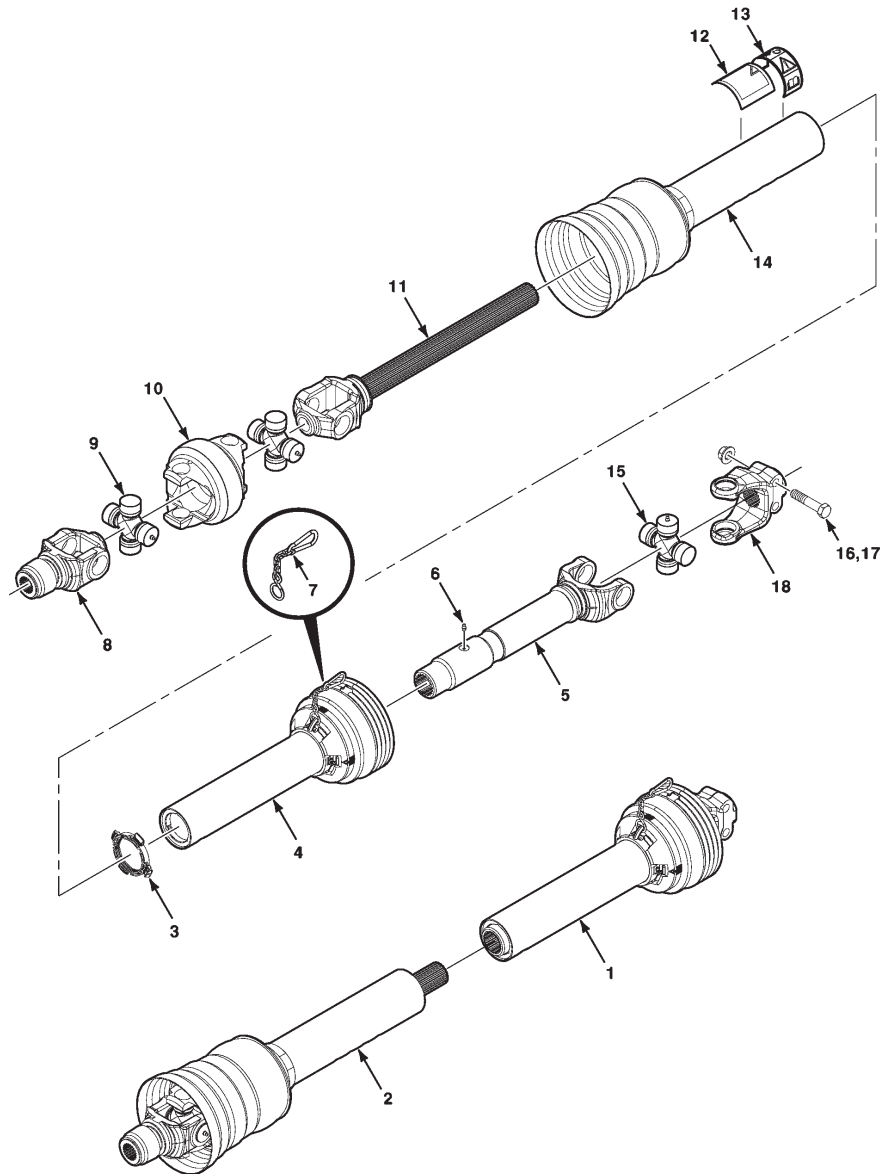
15

1	DR 10 48	0.5	JOINT and TUBE HALF
2	DR 10 49	0.5	JOINT AND SHAFT HALF
3	DR 10 59	0.5	GUARD REPAIR KIT
4	DR 10 50	0.5	GUARD-INNER
5	DR 10 51	1.2	YOKE-TUBE, SPLINED
7	DR 70 05	0.5	KIT-CHAIN
8	DR 10 52	1.2	YOKE-AUTO LOCK, TYPE 2
9	DR 10 53	1.2	CROSS AND BEARING KIT
10	DR 10 54	2.0	CENTER HOUSING
11	DR 10 55	1.2	YOKE-SPLINED SHAFT
12	SH 30 02	0.5	DECAL-DANGER, PTO
13	SH 30 03	0.5	CE WARNING DECAL
14	DR 10 56	0.5	GUARD-OUTER
15	DR 10 17	1.2	CROSS and BEARING KIT
18	DR 10 12	1.2	YOKE

700727272-0

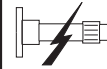
**LARGE RECTANGULAR BALER / ACCUMULATOR
DRIVES**

DRIVELINE ASSEMBLY, PRIMARY (CE)
(1-3/4 INCH X 20 SPLINE TRACTOR)



700 727 273-0

Item



Description

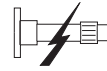
16

1	DR 10 48	0.5	JOINT and TUBE HALF
2	DR 10 57	0.5	JOINT AND SHAFT HALF
3	DR 10 59	0.5	GUARD REPAIR KIT
4	DR 10 50	0.5	GUARD-INNER
5	DR 10 51	1.2	YOKE-TUBE, SPLINED
7	DR 70 05	0.5	KIT-CHAIN
8	DR 10 58	1.2	YOKE-AUTO LOCK, TYPE 3
9	DR 10 53	1.2	CROSS AND BEARING KIT
10	DR 10 54	2.0	CENTER HOUSING
11	DR 10 55	1.2	YOKE-SPLINED SHAFT
12	SH 30 02	0.5	DECAL-DANGER, PTO
13	SH 30 03	0.5	CE WARNING DECAL
14	DR 10 56	0.5	GUARD-OUTER
15	DR 10 17	1.2	CROSS and BEARING KIT
18	DR 10 12	1.2	YOKE

700727273-0

**LARGE RECTANGULAR BALER / ACCUMULATOR
DRIVES**

Item



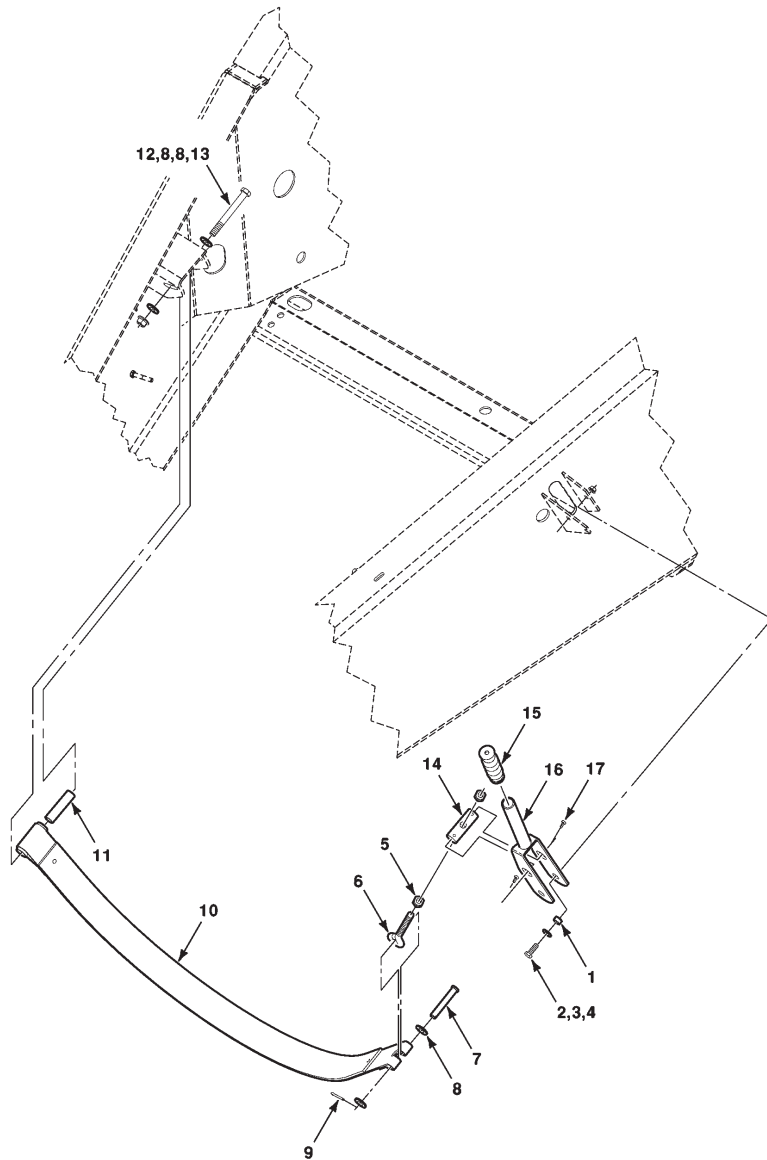
Description

17

FLYWHEEL BRAKE

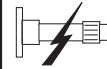
6	DR 70 06	0.5	BOLT-EYE, 1/2-13 X 10
10	DR 70 07	0.5	BRAKE ASSEMBLY
14	DR 70 08	0.5	PIN-BRAKE
15	DR 70 09	0.5	HANDLE GRIP
16	DR 70 10	0.5	HANDLE WA

700142000-2



LARGE RECTANGULAR BALER / ACCUMULATOR DRIVES

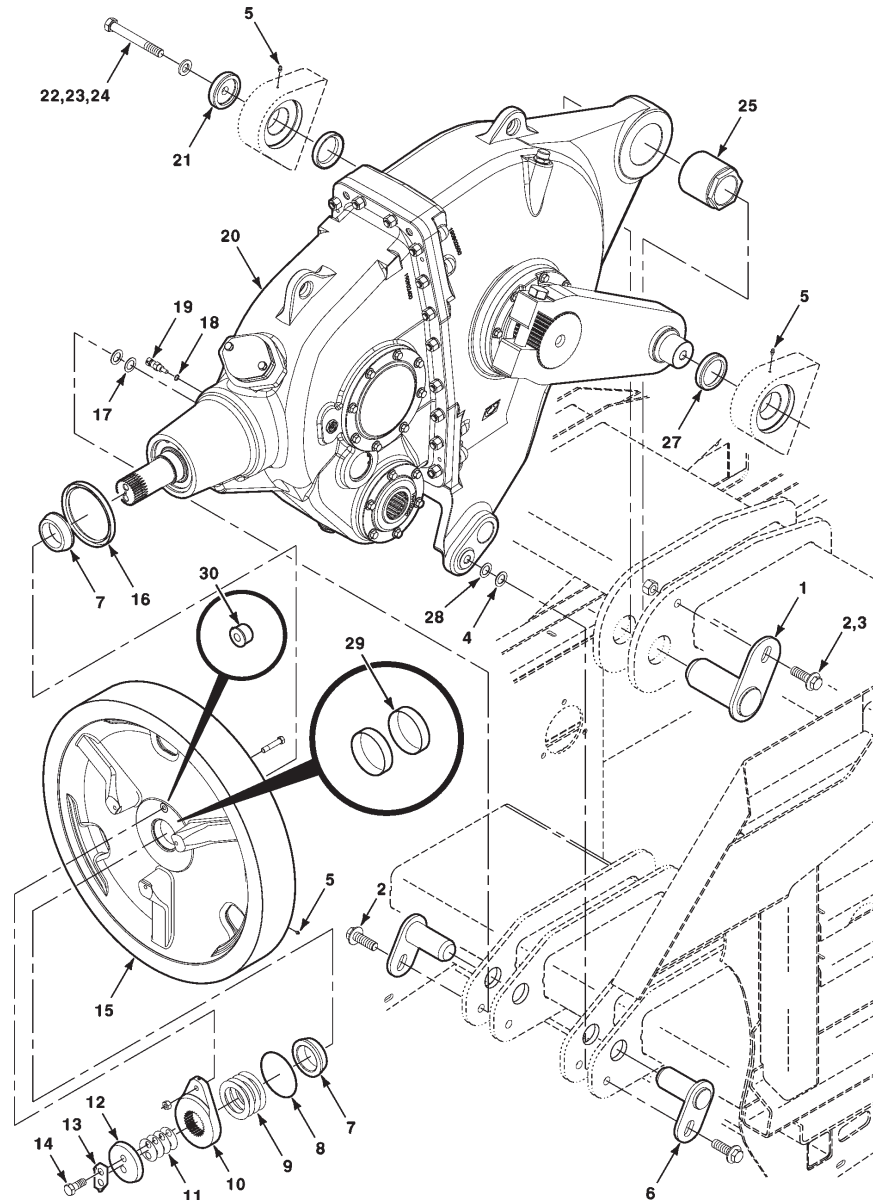
Item



Description

18

GEARBOX MOUNTING AND FLYWHEEL



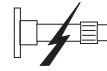
700 142 070-0

1	DR 70 11	2.0	PIN WA-UPPER, GEARBOX
2	DR 70 42	1.0	R & R BROKEN BOLT
2	DR 70 43	0.5	INSTALL BOLT AND WASHER
6	DR 70 12	2.0	PIN WA-LOWER, GEARBOX
7	DR 60 01	3.0	CONE-BEARING
8	DR 60 02	2.0	O-RING, 4-1/4 I.D.
10	DR 60 03	2.0	HUB ASSEMBLY-SHEAR
12	DR 60 04	2.5	CAP-RETAINER
13	DR 60 05	2.5	TAB-LOCK
15	DR 60 06	2.5	FLYWHEEL ASSEMBLY
16	DR 60 07	2.8	SEAL
18	DR 60 08	0.5	O-RING, .414 I.D.
19	EL 60 01	0.5	SENSOR-TEMPERATURE
20	DR 60 09	18.0	GEARBOX ASSEMBLY
21	DR 60 10	1.0	WASHER-SPECIAL, 7/8 X 3-11/32 X 23/32
25	DR 70 13	2.5	ECCENTRIC-GEARBOX
27	DR 60 11	3.0	SPACER-BEARING, CRANK ARM
30	DR 60 12	0.5	SLEEVE-SHEAR

700142070-0

LARGE RECTANGULAR BALER / ACCUMULATOR DRIVES

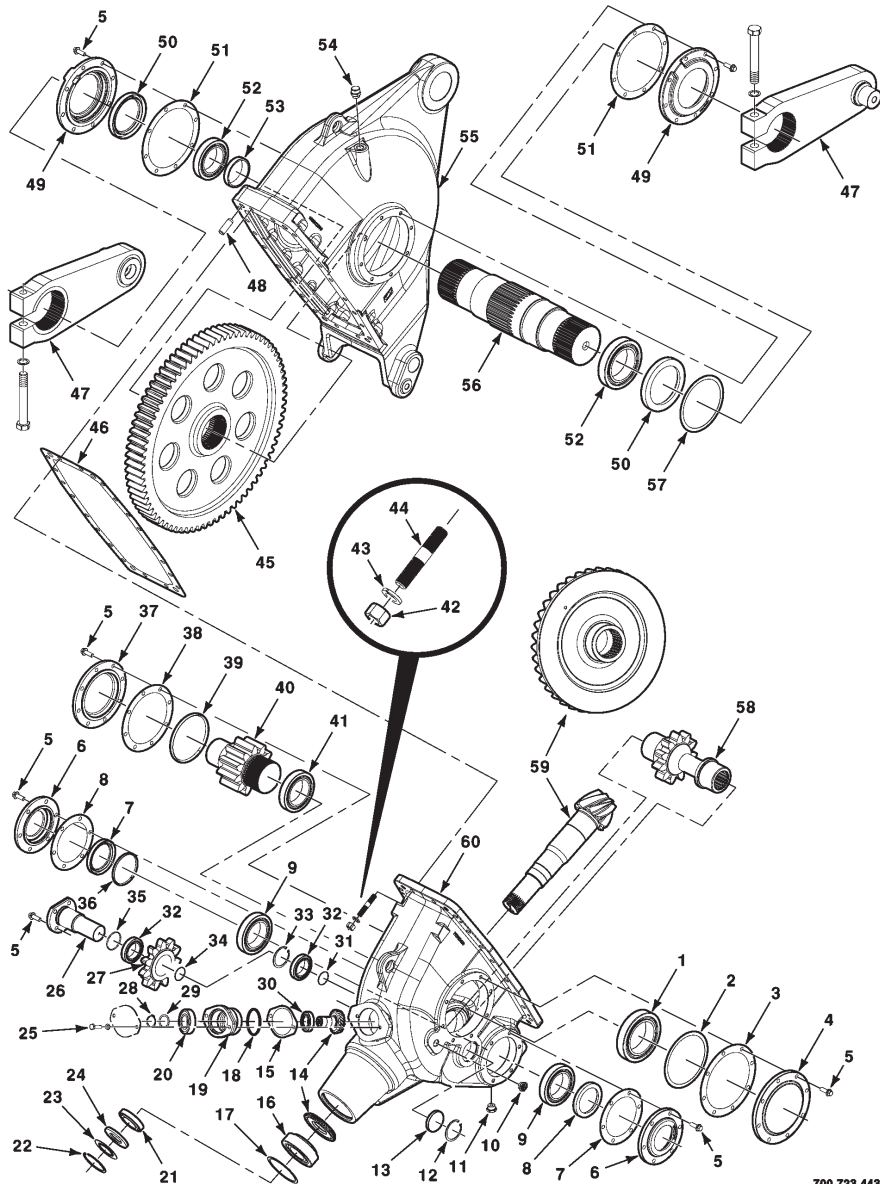
Item



Description

19

GEARBOX ASSEMBLY
(700723443 GEARBOX ASSEMBLY)

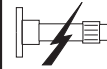


-	DR 60 13	18.0	GEARBOX ASSEMBLY
1	DR 60 14	2.5	BEARING
3	DR 60 15	1.0	GASKET, INTERMEDIATE SHAFT END CAP-LEFT
4	DR 60 16	1.0	CAP, INTERMEDIATE SHAFT-LEFT
6	DR 60 17	1.0	CAP, 2nd OUTPUT SHAFT LEFT SIDE
6	DR 60 18	3.4	CAP, 2nd OUTPUT SHAFT R SIDE & CUTTER L
7	DR 60 19	1.0	OIL SEAL LEFT SIDE
7	DR 60 20	3.4	OIL SEAL RIGHT SIDE & CUTTER LEFT
8	DR 60 21	1.0	GASKET, 2nd OUTPUT SHAFT COVER LEFT SIDE
8	DR 60 22	3.4	GSKT, 2nd OUT SHAFT CVR R SIDE & CUTR L
9	DR 60 23	2.5	BEARING LEFT SIDE
9	DR 60 24	4.9	BEARING RIGHT SIDE & CUTTER LEFT
10	DR 60 25	0.5	OIL PLUG, SIGHT
11	DR 60 26	0.5	OIL PLUG, MAGNETIC
13	DR 60 27	0.6	CAP
23	DR 60 28	3.5	SEALING PLATE, INPUT SHAFT
24	DR 60 29	3.5	OIL SEAL
37	DR 60 30	4.5	END CAP, INTERMEDIATE SHAFT-RIGHT
38	DR 60 31	4.5	GASKET, INTERMEDIATE SHAFT END CAP-RIGHT
47	DR 60 32	3.0	CRANK ARM KIT WITH BOLT AND WASHER
49	DR 60 33	4.0	END CAP, PRIMARY OUTPUT SHAFT
50	DR 60 34	4.0	OIL SEAL
51	DR 60 35	4.0	GASKET, PRIMARY OUTPUT SHAFT END CAP
54	DR 60 36	0.5	OIL PLUG, VENT

700723443-0

**LARGE RECTANGULAR BALER / ACCUMULATOR
DRIVES**

Item



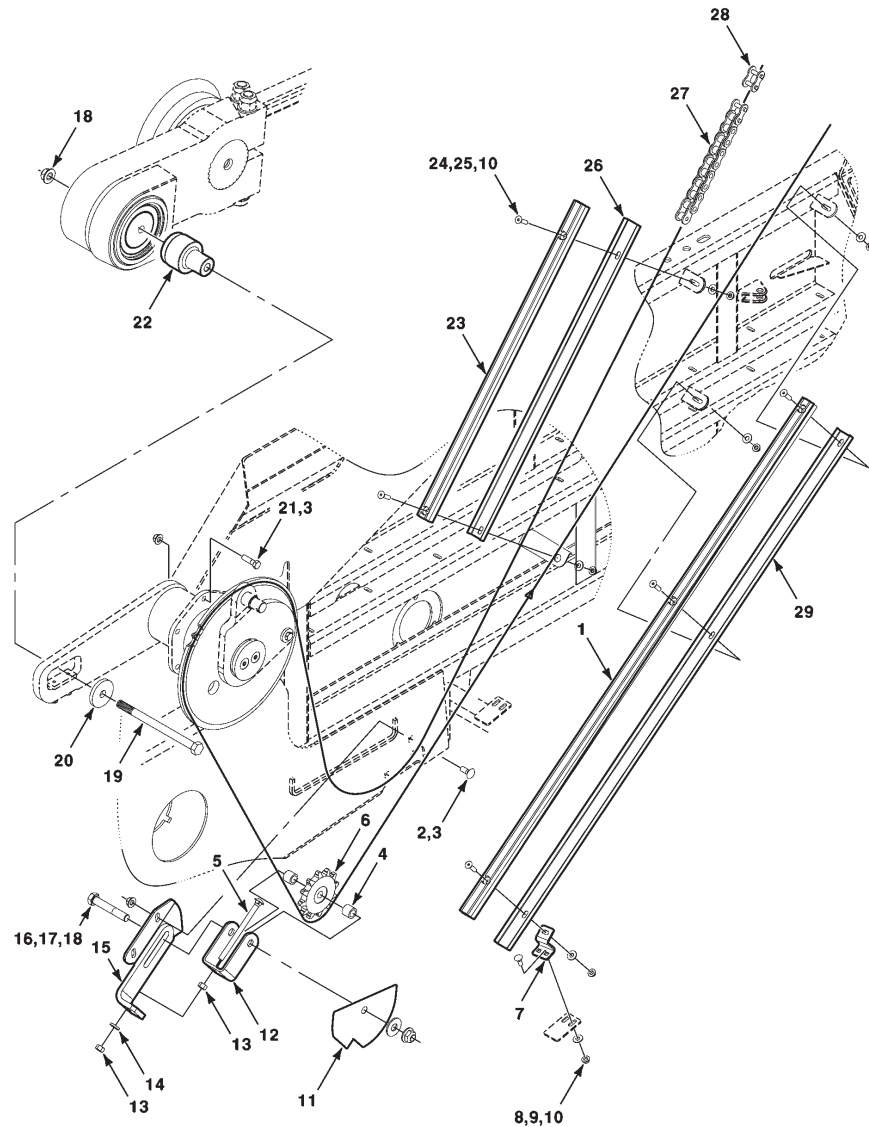
Description

20

DRIVE-AUXILIARY (LEFT)
(S.N. HS74101 THRU HT74262)

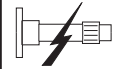
- 1 DR 30 01 0.5 GUIDE-CHAIN, No. 100
- 5 DR 70 14 0.5 BOLT-CARRIAGE, FULL THREAD, 1/2-13 X 7
- 6 DR 30 02 0.5 SPROCKET-100A12 TOOTH
- 11 SH 10 01 0.5 SHIELD-LEFT
- 12 DR 70 15 0.5 CLEVIS
- 15 DR 70 16 0.5 IDLER SLOT WA
- 19 DR 70 17 0.5 BOLT, 3/4-10 X 10-1/2
- 20 DR 70 18 0.5 PLATE-CAP
- 22 DR 70 19 1.0 BUSHING-SLAVE ARM DRIVE
- 23 DR 30 03 0.5 GUIDE-CHAIN, No. 100
- 26 DR 70 20 0.5 SUPPORT-CHAIN GUIDE, UPPER
- 27 DR 30 04 1.5 CHAIN-ROLLER, No. 100 (219 Pitches)
- 29 DR 70 21 0.5 SUPPORT-CHAIN GUIDE, LOWER

700142013-1



LARGE RECTANGULAR BALER / ACCUMULATOR DRIVES

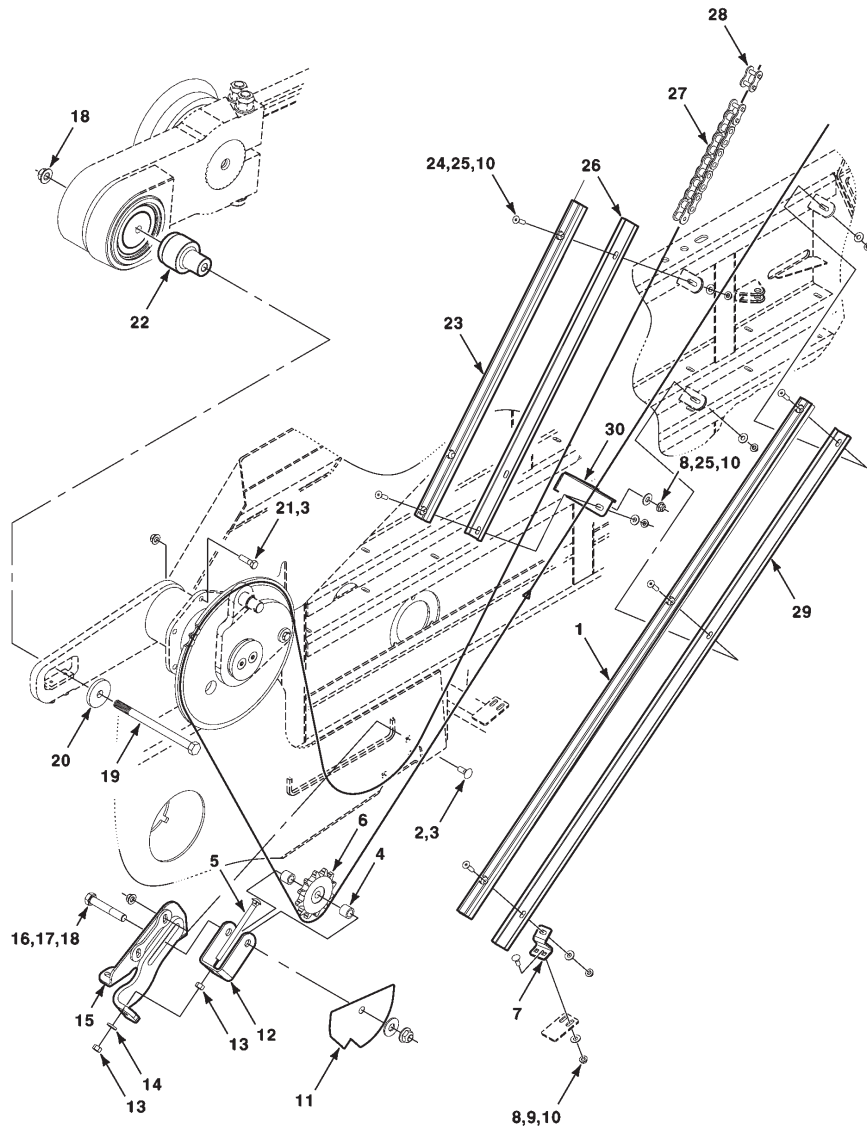
Item



Description

21

DRIVE-AUXILIARY (LEFT)
(S.N. HT74263 AND LATER)

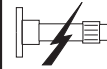


- | | | | |
|----|----------|-----|--|
| 1 | DR 30 05 | 0.5 | GUIDE-CHAIN, No. 100 |
| 5 | DR 70 22 | 0.5 | BOLT-CARRIAGE, FULL THREAD, 1/2-13 X 7 |
| 6 | DR 30 06 | 0.5 | SPROCKET-100A12 TOOTH |
| 11 | SH 10 01 | 0.5 | SHIELD-LEFT |
| 12 | DR 70 23 | 0.5 | CLEVIS |
| 15 | DR 70 24 | 0.5 | IDLER SLOT WA |
| 19 | DR 70 25 | 0.5 | BOLT, 3/4-10 X 10-1/2 |
| 20 | DR 70 26 | 0.5 | PLATE-CAP |
| 22 | DR 70 27 | 1.0 | BUSHING-SLAVE ARM DRIVE |
| 23 | DR 30 07 | 0.5 | GUIDE-CHAIN, No. 100 |
| 26 | DR 70 28 | 0.5 | SUPPORT-CHAIN GUIDE, UPPER |
| 27 | DR 30 08 | 1.5 | CHAIN-ROLLER, No. 100 (219 Pitches) |
| 29 | DR 70 29 | 0.5 | SUPPORT-CHAIN GUIDE, LOWER |
| 30 | DR 70 30 | 0.5 | BRACKET-GUIDE |

700142013-2

**LARGE RECTANGULAR BALER / ACCUMULATOR
DRIVES**

Item



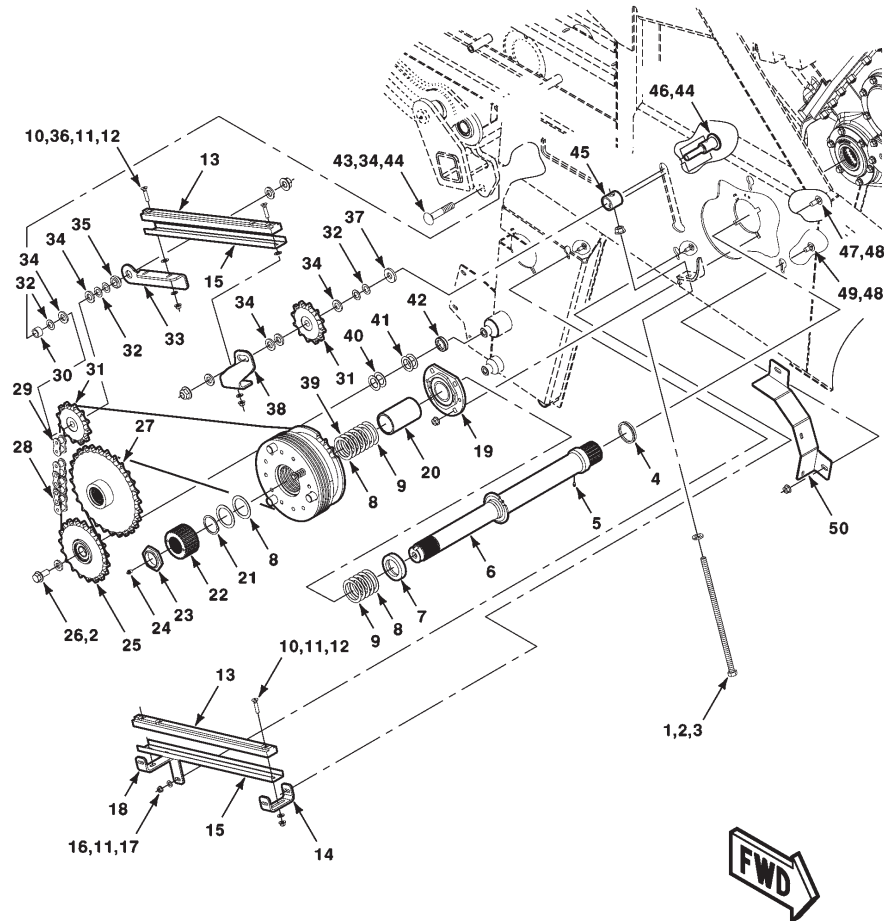
Description

22

DRIVE-RIGHT (AUXILIARY)

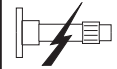
- 1 DR 30 09 0.5 CAPSCREW-FULL THREAD, 5/8-11 X 15
- 4 DR 60 55 2.5 SEAL-V-RING
- 6 DR 10 35 2.5 SHAFT WA
- 13 DR 30 10 0.5 GUIDE-CHAIN, No. 100
- 14 DR 70 31 0.5 BRACKET-CHAIN GUIDE
- 15 DR 70 32 0.5 SUPPORT-CHAIN GUIDE, UPPER
- 18 DR 70 33 0.5 BRACKET-CHAIN GUIDE
- 19 DR 10 36 2.5 BEARING ASSEMBLY-FLANGED
- 22 DR 20 13 1.0 HUB-SPLINED
- 23 DR 20 14 0.5 NUT-STAKE, 1-31/32-18
- 25 DR 30 11 0.7 SPROCKET WA-100C19 TOOTH
- 27 DR 30 12 2.5 SPROCKET WA-100C28 TOOTH
- 28 DR 30 13 0.5 CHAIN-ROLLER, No. 100 (119 Pitches)
- 31 DR 30 14 0.7 SPROCKET-100A12
- 33 DR 70 34 0.5 BRACKET-CHAIN GUIDE
- 38 DR 70 35 0.5 BRACKET-CHAIN GUIDE
- 45 DR 70 36 1.0 SLEEVE
- 46 DR 70 37 1.0 STUD-SLIDE
- 50 SH 10 02 0.5 GUARD-CHAIN CATCH

700142014-0



LARGE RECTANGULAR BALER / ACCUMULATOR DRIVES

Item



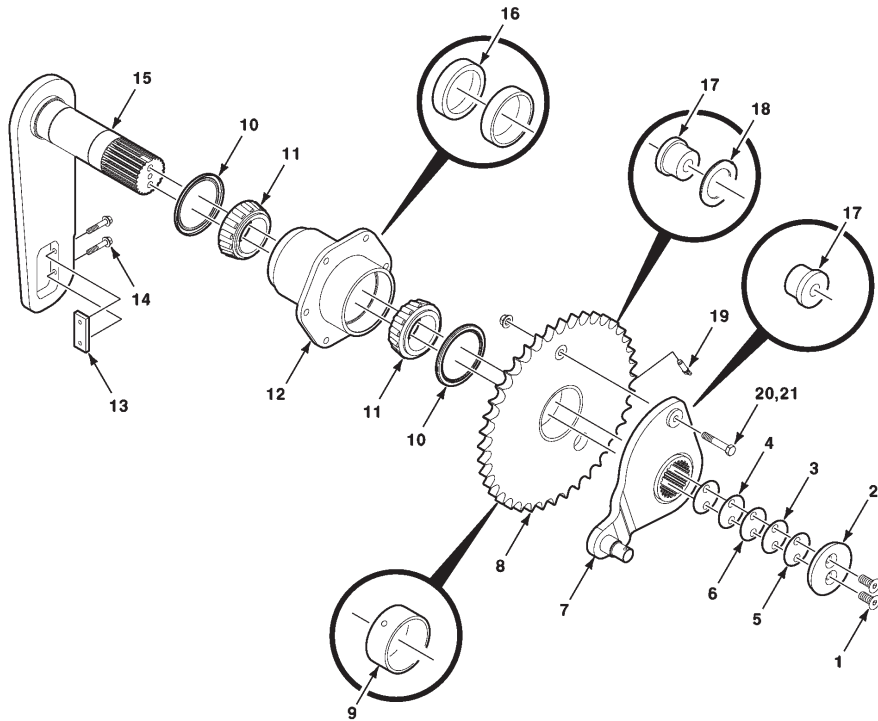
Description

23

SHAFT AND SPROCKET (AUXILIARY)

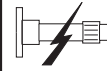
7	DR 10 37	1.5	HUB ASSEMBLY
8	DR 30 15	1.5	SPROCKET ASSEMBLY-100B40 TOOTH
9	DR 30 16	2.0	BUSHING-BRONZE
10	DR 10 38	2.0	SEAL-EXCLUDER
11	DR 10 39	2.5	CONE-BEARING
12	DR 70 38	2.5	HUB ASSEMBLY
13	DR 10 40	0.7	PLATE-WEAR
15	DR 10 41	3.0	ARM WA
16	DR 10 42	2.5	CUP-BEARING
17	DR 10 43	0.5	SLEEVE-SHEAR BOLT
20	DR 10 44	0.5	CAPSCREW, GR8, 1/2-13 X 2-3/4

700142244-0



**LARGE RECTANGULAR BALER / ACCUMULATOR
DRIVES**

Item



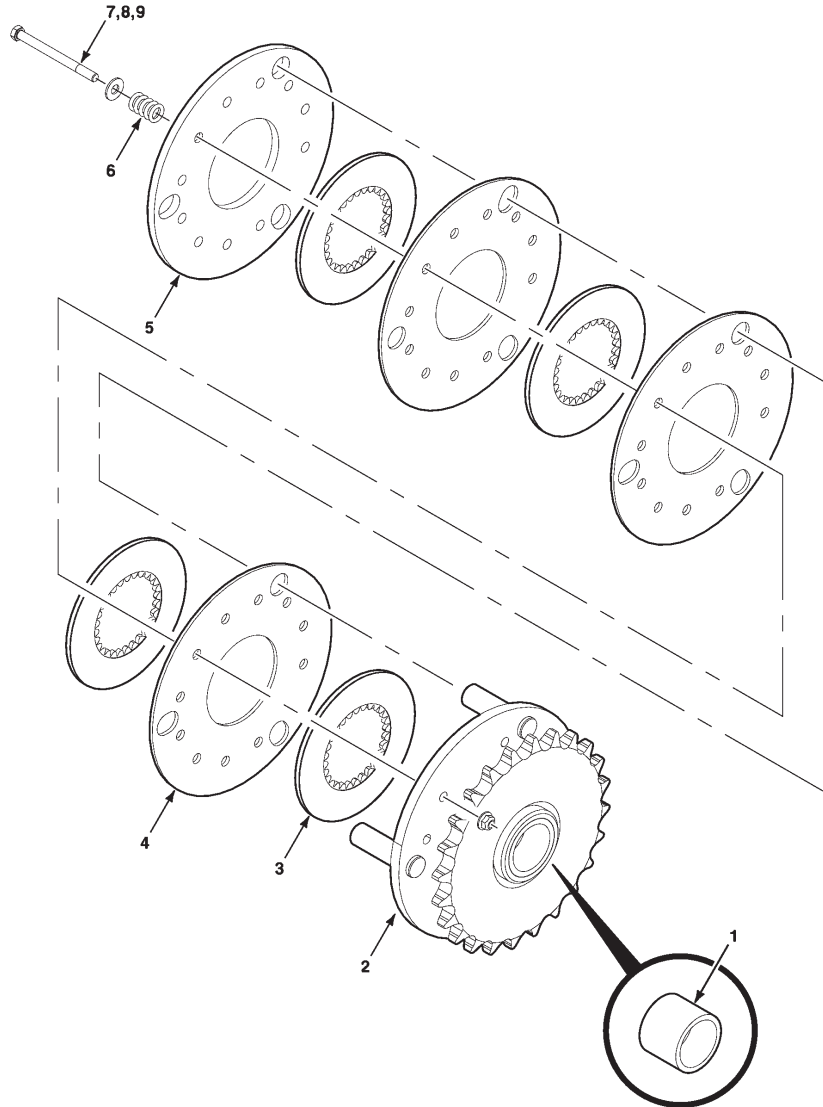
Description

24

SLIP CLUTCH (AUXILIARY)

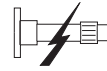
- 1 DR 20 15 2.3 BUSHING-BRONZE
- 2 DR 20 16 2.0 HUB ASSEMBLY
- 3 DR 20 17 1.2 DISC-FRICTION
- 4 DR 20 18 1.2 PLATE-CLUTCH
- 5 DR 20 19 1.2 PLATE-CLUTCH
- 6 DR 20 20 0.5 SPRING-COMPRESSION
- 7 DR 20 21 0.5 CAPSCREW, 3/8-16 X 4-1/2

700142263-0



**LARGE RECTANGULAR BALER / ACCUMULATOR
DRIVES**

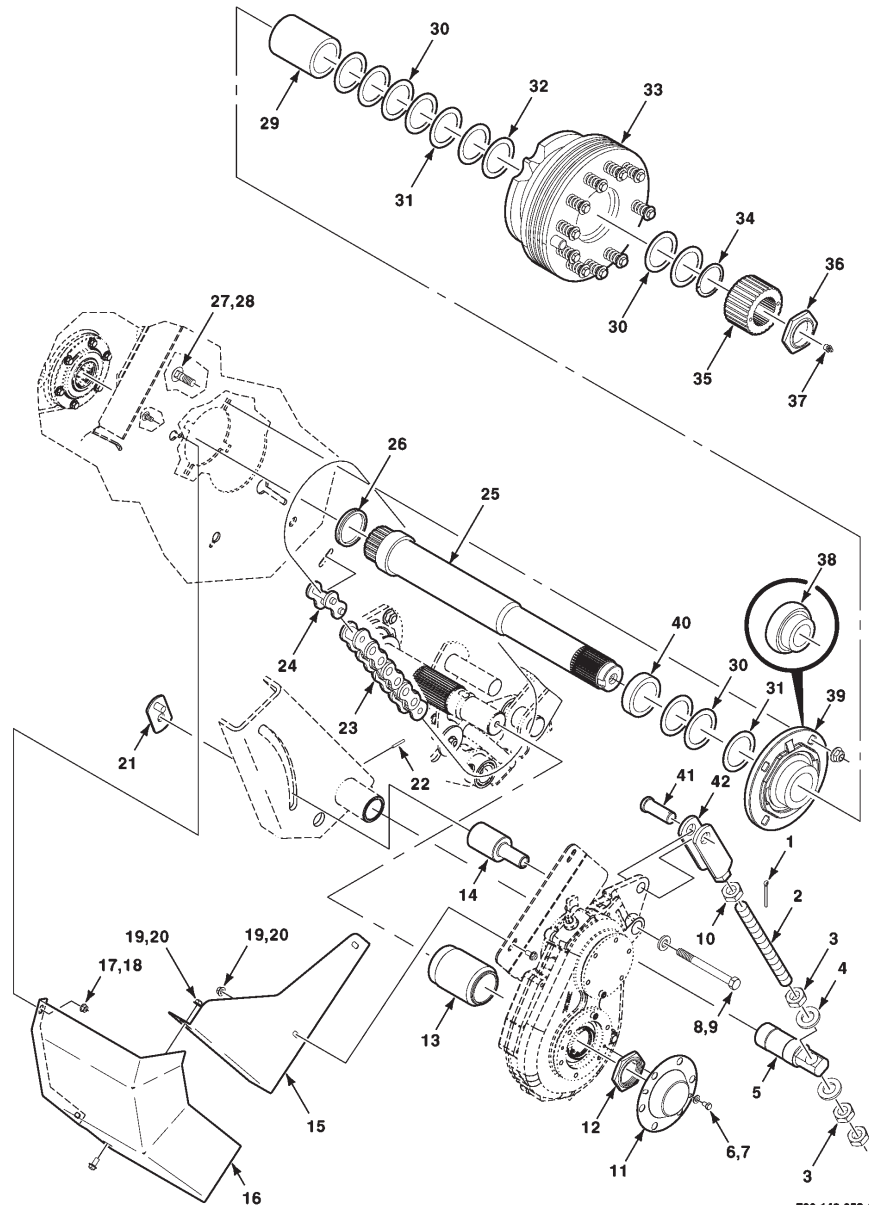
Item



Description

25

CUTTER DRIVE



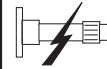
700 142 053-0

2	DR 70 39	0.5	ROD-THREADED
5	DR 70 40	0.5	SHAFT-ANCHOR
11	DR 60 56	0.5	CAP
12	DR 60 57	0.5	NUT-STAKE, 2-23/64 - 18
13	DR 60 58	1.5	SPACER-GEARBOX
14	DR 60 59	1.0	STUD
15	SH 10 03	0.5	SHIELD-CHAIN
16	SH 10 04	0.5	SHIELD-CLUTCH
21	DR 60 60	0.5	PLATE-NUT
23	DR 30 17	0.5	CHAIN-ROLLER, No. 120H (55 Pitches)
25	DR 10 45	2.5	SHAFT ASSEMBLY
26	DR 60 61	2.5	SEAL-V RING
29	DR 20 22	2.0	SPACER
33	DR 20 23	2.0	CLUTCH ASSEMBLY-SLIP
35	DR 20 24	1.0	HUB-SPLINED
36	DR 20 25	0.5	NUT-STAKE, 1-31/32-18
38	DR 10 46	2.5	BEARING-SPHERICAL
39	DR 10 47	2.5	BEARING ASSEMBLY
42	DR 70 41	0.5	CLEVIS, 1-8

700142053-0

**LARGE RECTANGULAR BALER / ACCUMULATOR
DRIVES**

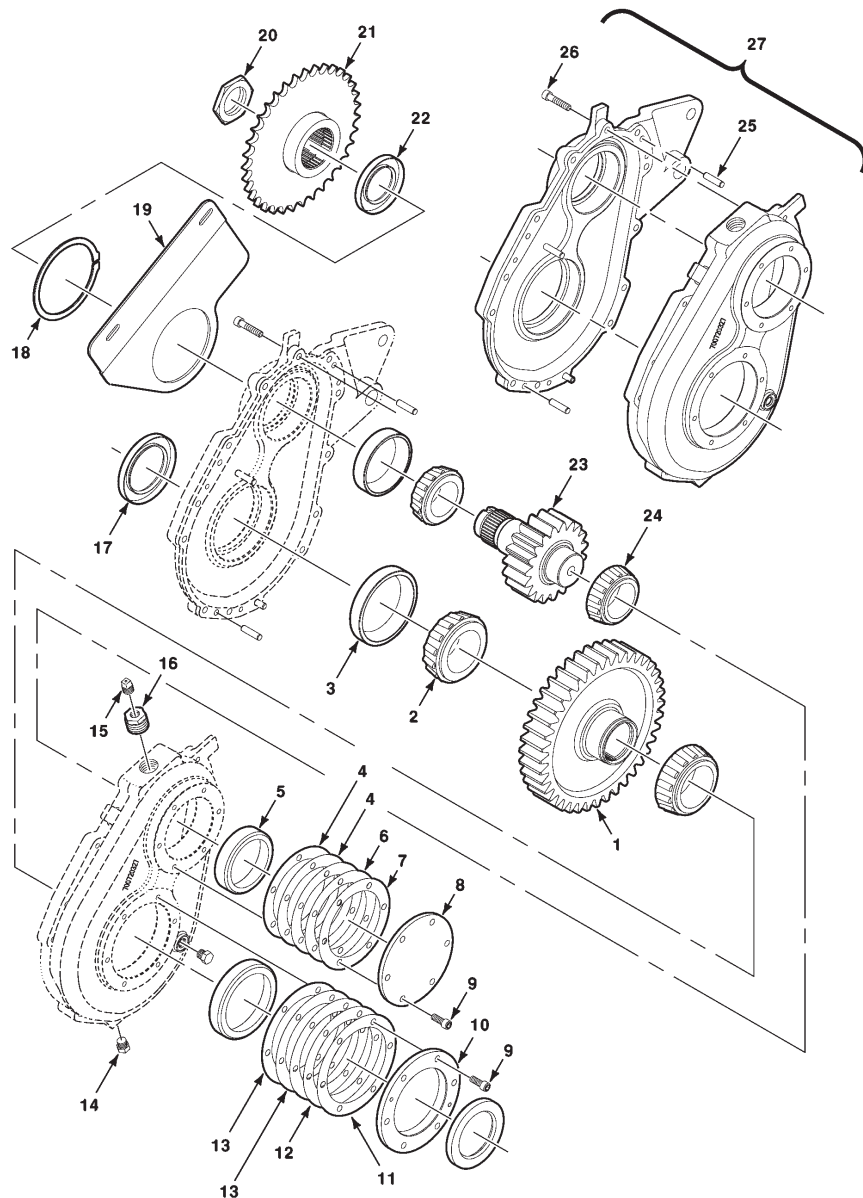
Item



Description

26

CUTTER GEARBOX ASSEMBLY

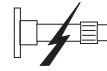


- 1 DR 60 62 1.7 GEAR-CUTTER DRIVE
- 15 DR 60 63 0.5 PLUG-VENTED
- 17 DR 60 64 3.0 SEAL
- 19 DR 30 18 1.2 PLATE-CHAIN GUIDE RING
- 20 DR 60 65 0.5 NUT-STAKE, 1-31/32-18
- 21 DR 30 19 1.8 SPROCKET ASSEMBLY
- 22 DR 60 66 1.8 SEAL
- 23 DR 60 67 2.1 PINION-CUTTER DRIVE
- 27 DR 60 68 2.5 HOUSING ASSEMBLY-GEARBOX

700142381-0

**LARGE RECTANGULAR BALER / ACCUMULATOR
DRIVES**

Item



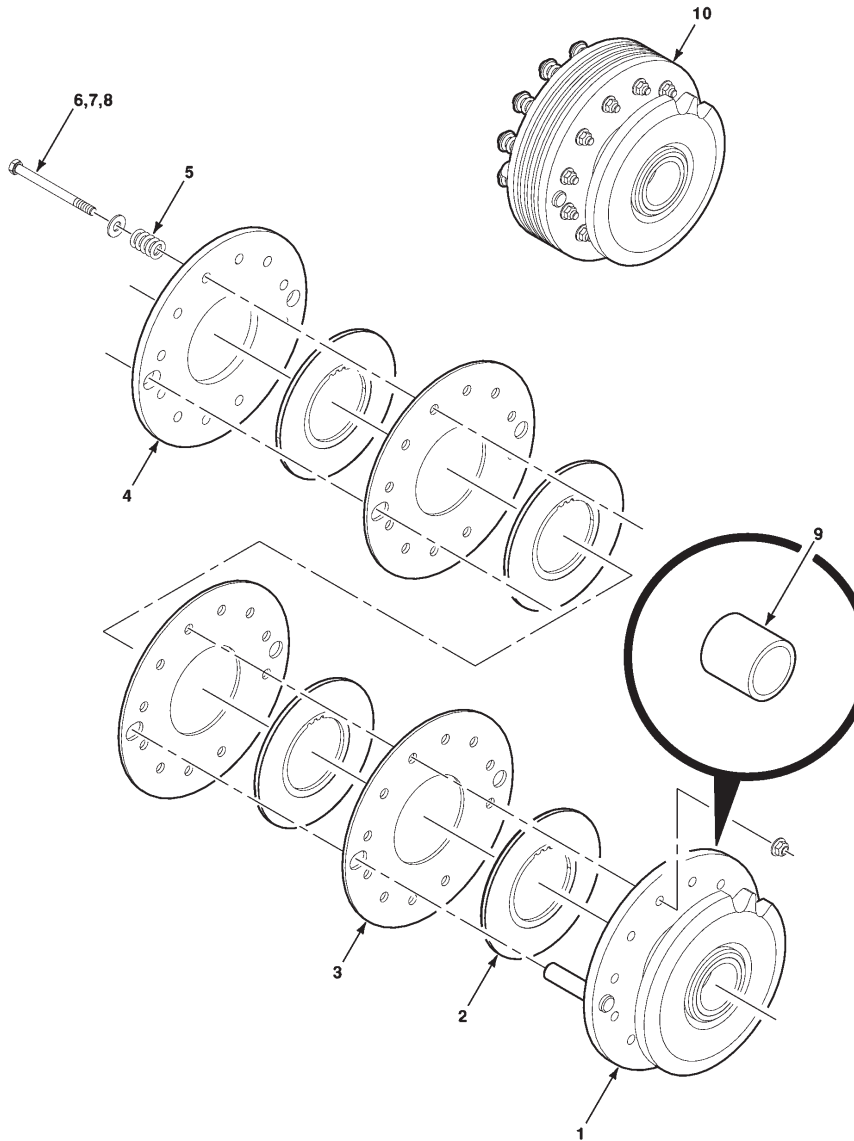
Description

27

**CUTTER SLIP CLUTCH ASSEMBLY
(700140066 CLUTCH ASSEMBLY-SLIP)**

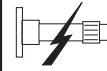
- | | | | |
|----|----------|-----|--------------------------|
| 1 | DR 20 26 | 2.2 | HUB WA |
| 2 | DR 20 27 | 1.2 | DISC ASSEMBLY-FRICTION |
| 3 | DR 20 28 | 1.2 | PLATE-CLUTCH |
| 4 | DR 20 29 | 1.2 | PLATE-CLUTCH |
| 5 | DR 20 30 | 0.5 | SPRING-COMPRESSION |
| 6 | DR 20 31 | 0.5 | CAPSCREW, 3/8-16 X 4-1/2 |
| 9 | DR 20 32 | 2.2 | BUSHING-BRONZE |
| 10 | DR 20 33 | 2.0 | CLUTCH ASSEMBLY-SLIP |

700140066-0



**LARGE RECTANGULAR BALER / ACCUMULATOR
PICKUP**

Item



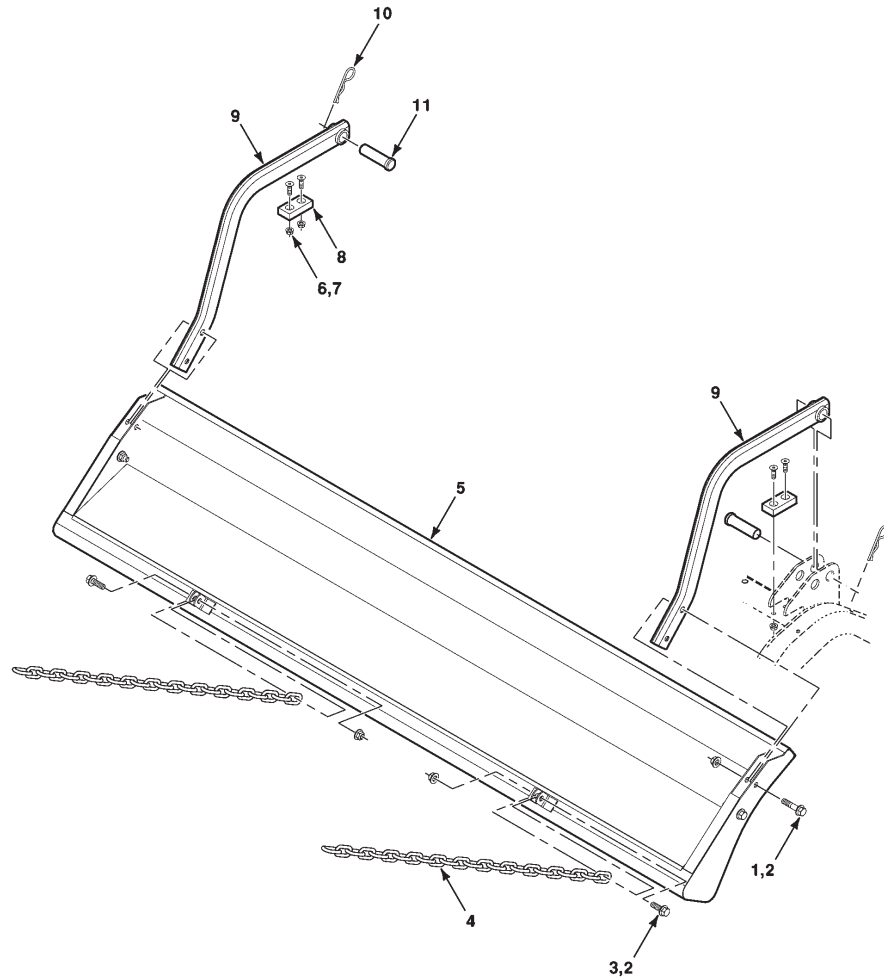
Description

28

WINDGUARD
(S.N. HS74101 THRU HT74100)

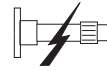
- 4 PU 10 01 0.5 CHAIN
- 5 PU 10 02 0.5 WINDGUARD WA
- 8 PU 10 03 0.5 STOP
- 9 PU 10 04 0.5 ARM WA

700141883-0



**LARGE RECTANGULAR BALER / ACCUMULATOR
PICKUP**

Item



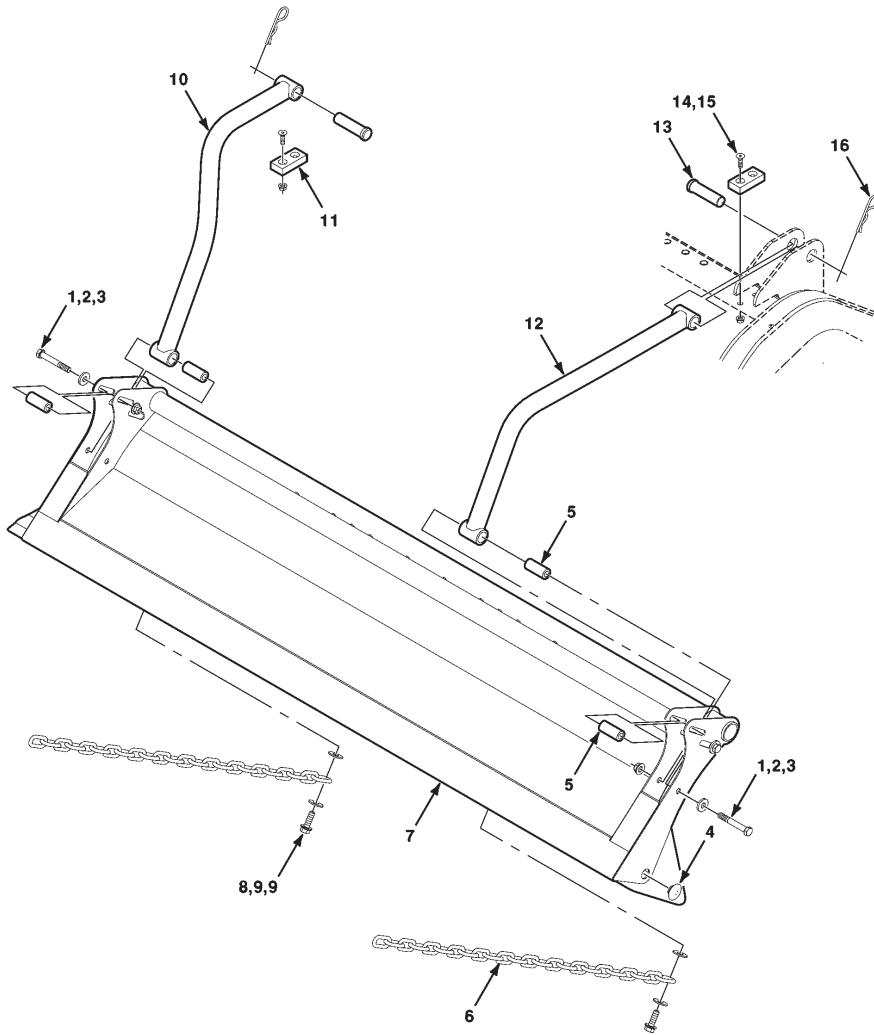
Description

29

WINDGUARD
(S.N. HT74101 AND LATER)

- 6 PU 10 05 0.5 CHAIN-COIL 7/0
- 7 PU 10 06 0.5 WINDGUARD WA
- 10 PU 10 07 0.5 ARM WA-RIGHT
- 11 PU 10 08 0.5 STOP
- 12 PU 10 09 0.5 ARM WA-LEFT

700143957-0



This as a preview PDF file from best-manuals.com



Download full PDF manual at best-manuals.com