

**624J UTILITY LOADER
(S.N. -611796)**



JOHN DEERE

PARTS CATALOG

**624J UTILITY LOADER
(S.N. -611796)**

PC9340 (Mar-07) English

Worldwide Construction and Forestry Division

Worldwide Edition
Litho In U.S.A. (Revised)
COPYRIGHT © 2007
DEERE & COMPANY
Moline, Illinois
All rights reserved

INTRODUCTION AND CUSTOMER INFORMATION

T194008A -UN-13NOV03



*LEFT SIDE VIEW OF JOHN DEERE 624J LOADER
(MANUFACTURED 2004-2007)*

TO THE CUSTOMER

THE PART NUMBERS IN THIS PARTS CATALOG WERE CORRECT AT THE TIME YOUR CATALOG WAS PUBLISHED. IT IS OUR POLICY TO CONSTANTLY IMPROVE OUR MACHINES, AND THEREFORE, PART NUMBERS MAY CHANGE. WHEN ORDERING PARTS, VERIFY PART NUMBERS THROUGH YOUR DEALER.

(SPECIFICATIONS AND DESIGN SUBJECT TO CHANGE WITHOUT NOTICE)

SERIAL NUMBER LOCATION

EACH 624J LOADER HAS SIX SERIAL NUMBER PLATES: ONE FOR THE PRODUCT IDENTIFICATION NUMBER, ONE FOR THE TRANSMISSION, ONE FOR THE HYDRAULIC PUMP, ONE FOR THE ENGINE SERIAL NUMBER, ONE FOR EACH AXLE, AND ONE FOR THE CONTROL VALVE.

THE PRODUCT IDENTIFICATION NUMBER PLATE IS LOCATED ON THE LEFT SIDE OF THE ENGINE FRAME NEAR THE TRANSMISSION OIL FILL.

THE TRANSMISSION SERIAL NUMBER PLATE IS LOCATED ON THE LOWER RIGHT REAR OF THE TRANSMISSION CASE.

THE HYDRAULIC PUMP SERIAL NUMBER PLATE IS LOCATED ON THE LOWER LEFT OF THE HYDRAULIC PUMP.

THE ENGINE SERIAL NUMBER PLATE IS LOCATED ON THE LEFT SIDE OF THE ENGINE NEAR THE WATER SEPERATOR.

THE AXLE SERIAL NUMBER PLATES ARE LOCATED ON THE INPUT SIDE OF EACH DIFFERENTIAL CASE.

THE CONTROL VALVE SERIAL NUMBER PLATE IS LOCATED ON THE REAR CENTER OF THE CONTROL VALVE.

LEFT, RIGHT, FRONT, AND REAR OF THE LOADER ARE REFERENCED BY FACING THE DIRECTION OF LOADER FORWARD TRAVEL.

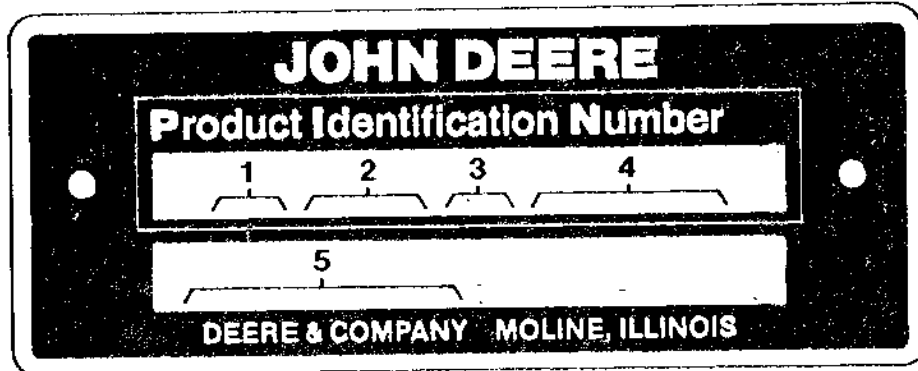
WHENEVER SERIAL NUMBERS ARE REQUIRED ON WARRANTY CLAIMS OR CORRESPONDENCE PERTAINING TO THIS PRODUCT, IT IS EXTREMELY IMPORTANT THAT ALL CHARACTERS BE FURNISHED. THIS POINT CANNOT BE EMPHASIZED ENOUGH.

000I-3

624J UTILITY LOADER (S.N. -611796)

PRODUCT IDENTIFICATION NUMBER PLATE

TP16004 -UN-01JAN94



TP16004

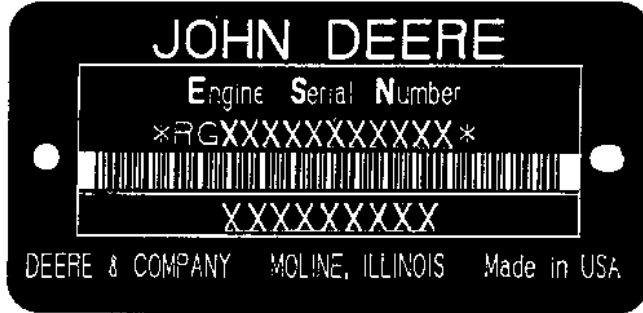
1. DESIGNATES LOADER MANUFACTURER
2. DESIGNATES LOADER MODEL
3. DESIGNATES LOADER CONFIGURATION

4. DESIGNATES LOADER SERIAL NUMBER
5. DESIGNATES UNIT TYPE

DW - JOHN DEERE DAVENPORT WORKS
624J
Z WITH ZBAR
H WITH HIGH LIFT
T WITH TOOL CARRIER
XXXXXX
LOADER

ENGINE SERIAL NUMBER PLATE

RGP3513 -UN-01JAN94



RGP3513

FIRST LINE (ENGINE SERIAL NUMBER)

PE - JOHN DEERE TORREON ENGINE WORKS

6

068 (6.8 LITERS)

H - TURBOCHARGED DIESEL WITH AIR-TO-AIR INTERCOOLER

XXXXXX

SECOND LINE (ENGINE MODEL NUMBER)

6068HDW57

DW - JOHN DEERE DAVENPORT WORKS

57

DEFINES

MANUFACTURER

NUMBER OF CYLINDERS

TOTAL DISPLACEMENT

TYPE OF ASPIRATION

ENGINE SERIAL NUMBER

DEFINES

624J UTILITY LOADER

USER FACTORY

SPECIFIC APPLICATION

SERIAL NUMBER LISTING INFORMATION

SERIAL NUMBER INFORMATION IS LISTED TO SHOW ON WHICH MACHINES EACH PART CAN BE USED; FOR EXAMPLE:

-	THE PART CAN BE USED ON ALL MACHINES.
XXXXXX	THE PART CAN BE USED ON ALL MACHINES BEGINNING WITH THE SERIAL NUMBER LISTED.
-XXXXXX	THE PART CAN BE USED ON ALL MACHINES UP TO AND INCLUDING THE SERIAL NUMBER LISTED.
XXXXXX-XXXXXX	THE PART CAN BE USED ON ALL MACHINES BETWEEN AND INCLUDING THE SERIAL NUMBERS LISTED.

WHEN XXXXXX'S ARE LISTED IN PLACE OF A SERIAL NUMBER, A SERIAL NUMBER CHANGE WAS MADE BUT THE EXACT SERIAL NUMBER WAS NOT AVAILABLE WHEN THE CATALOG WAS PRODUCED.

DIRECTION ARROW

ARROWS ARE USED WITH ILLUSTRATIONS TO INDICATE THE FRONT OF THE UNIT. "RIGHT-HAND" AND "LEFT-HAND" SIDES ARE DETERMINED BY FACING IN THE DIRECTION OF MACHINE FORWARD TRAVEL.

BOX-ENCLOSED ILLUSTRATIONS

A KEY NUMBER, SHOWN IN THE PARTS LIST, IS ASSIGNED TO A BOX ENCLOSING ALL PARTS SOLD AS A SERVICE ASSEMBLY.

COMPLETE GOODS LISTINGS

COMPLETE GOODS ARE LISTED IN BOLD FACE TYPE. ORDER SEPARATELY. DO NOT INCLUDE ON REPLACEMENT PARTS ORDER.

SI UNITS OF MEASURE

METRIC DIMENSIONS ARE GIVEN, WHERE APPLICABLE, THROUGHOUT THIS PARTS CATALOG.

REMARKS AND ABBREVIATIONS

THE FOLLOWING REMARKS AND ABBREVIATIONS MAY APPEAR THROUGHOUT THE PARTS CATALOG. REFER TO THE FOLLOWING CHART FOR TRANSLATIONS TO LANGUAGES OTHER THAN ENGLISH.

REMARKS AND ABBREVIATIONS

TX1007193 -UN-04MAY06

PHRASE	ENGLISH	FRANCAIS	DEUTSCH	ITALIANO	ESPAÑOL	SVENSKA
ALSO ORDER, ORD W/	Also order	Commander aussi	Ebenso bestellen	Ordinare anche	Pedir también	Beställ även
AMP	Ampere	Ampère	Ampere	Ampere	Amperio	Ampere
APPL, APPL ONLY	This application only	Uniquement pour cette utilisation	Nur für diese Anwendung	Solo per questa applicazione	Solo para este propósito	Endast för denna användning
AR	As required	Selon le besoin	Nach Bedarf	Secondo necessità	Según necesidad	Vid behov
ASSY	Complete assembly	Ensemble complet	Kompl.-Zusammenbau	Gruppo completo	Montaje completo	Komplett montering
CA, CONVENIENCE ASSY	Convenience assembly	Ensemble convenance	Komfort-Zusammenbau	Montaggio pratico	Montaje de conveniencia	Lämplig montering
CCW	Counter-clockwise	Sens anti-horaire	Gegen Uhrzeigersinn	Senso antiorario	A la izquierda	Moturs
COMPLETE	Complete	Complet	Vollständig	Completo	Completo	Fullständig
COMPLETE GOODS	Complete goods	Compléter marchandises	Vollst. Waren	Merci complete	Mercancías completas	Kompleta varor
CTL CUT TO LENGTH	Cut to length	Couper à la longueur	Auf Länge zurechtschneiden	Tagliare alla lunghezza	Corte a la longitud	Skära till längd
CW	Clockwise	Sens horaire	Im Uhrzeigersinn	In senso orario	A la derecha	Medurs
FOR	For	Pour	Für	Per	Para	För
FRONT	Front	Avant	Vorn	Anteriore	Frente	Fram
GAS	Gasoline	Essence	Benzin	Benzina	Gasolina	Bensin
HP	Horsepower	Puissance en cv	Leistung	Potenza	Potencia	Hästkraft
HFWD	Hydraulic Front-wheel Drive	Traction Avant Hydraulique	Hydraulischer Vorderradantrieb	Trazione Anteriore Idraulica	Tracción Delantera Hidraulica	Hydraulisk Framhjulsdrift
HS, HEAD MARKED	High strength, head marked	Haute résistance, tête marquée	Hochfest, vorn gekennzeichnet	Contrassegnato in testa, ad alta resistenza	Alta fuerza, marca en cabeza	Hög styrka, huvudmärkt
ID	Inside diameter	Diamètre intérieur	Innendurchmesser	Diametro interno	Diá. interior	Innerdiameter
INCH	Inch	Pouce	In.	Pollice	Pulg.	Tum
INCL KEYS	Includes keys...	Comprend les positions...	Einschließlich Schlüssel...	Include le chiavette...	Incluye posiciones...	Inklusive nycklar...
INCL, INCLUDES	Includes...	Comprend...	Enthält...	Include...	Incluye...	Inkluderar...
INCLUDES PARTS/ ITEMS MARKED	Includes parts/items marked...	Comprend les pièces/articles marqués...	Enthält gekennzeichnete Teile/Pos. ...	Include i pezzi e gli elementi contrassegnati...	Incluye piezas marcadas...	Inkluderar markerade delar/artiklar...
INNER	Inner	Intérieur	Innerer	Interno	Interno	Inre, invändig
KIT	Kit	Kit	Kit	Kit	Juego	Sats
L	Number of links	Nombre de maillons	Anzahl der Glieder	Numero di maglie	Nº de eslabones	Antal länkar
LGTH	Length	Longueur	Länge	Lunghezza	Longitud	Längd
LGP	Low Ground Pressure	Faible Pression Au Sol	Niederer Bodendruck	Bassa Pressione Sul Suelo	Baja Presion Sobre El Suelo	Laagt Marktryck
LH	Left-hand	Gauche	Links	Sinistra	Izquierda	Vänster
LT	Long Track	Chenille Longue	Mit Langem Laufwerk	Cingolo Lungo	Cadena Largo	Laangt Larvband
LOW, LOWER	Lower	Inférieur	Unterer	Inferiore	Inferior	Nedre
MAKE FROM, MF MARKED	Make from Marked	Faireavec Marqué	Herstellen von Markiert	Fabbricare da Contrassegnato	Hacer de Marcado	Tillverka av Märkt

TX1007193

REMARKS AND ABBREVIATIONS

TX1007195

-UN-04MAY06

PHRASE	ENGLISH	FRANCAIS	DEUTSCH	ITALIANO	ESPAÑOL	SVENSKA
MATCHED SET	Matched set	Ensemble assorti	Passender Satz	Set abbinato	Sistema emparejado	Anpassad sats
MFWD	Mechanical Front-Wheel Drive	Pont Avant	Allradantrieb	Ruota Motrice Meccanica Anteriore	Traccion Delantera Mecanica	Mekanisk Framhjulsdrift
NA, NOT USED THIS APPL	Not used this application	Ne sert pas pour cette application	In dieser Anwendung nicht benutzt	Non usato in questa applicazione	No se usa en esta aplicación	Ej använd i detta sammanhang
NLA	No longer available	Epuisé	Nicht mehr lieferbar	Non più disponibile	Descontinuado	Ej längre tillgänglig
NSEP	Not supplied separately	Non livré séparément	Nicht einzeln lieferbar	Non fornito separatamente	No se suministra por separado	Kan ej erhållas separat
OD	Outside diameter	Diamètre extérieur	Außendurchmesser	Diametro esterno	Diá. exterior	Ytterdiameter
OPTIONAL	Optional	En option	Wahlweise	Opzionale	Opcional	Valfri
OR	Or	Ou	Oder	Oppure	O	Eller
ORD, ORDER	Order	Commander	Bestellen	Ordinare	Pídase	Order
OS	Oversize	Sur-dimension	Übergröße	Maggiorato	Sobretamaño	Överdimension
OUTER	Outer	Externe	Äußerer	Esterno	Externo	Yttre, utvändig
PKG, PACKG	Package, Packet of	Emballage, paquet de	Verpackung, verpackt mit	In confezione da	Paquete de	I sats; paket
PTO	Power Take Off	Prise De Force	Zapfwelle	Presa Di Forza	Toma De Fuerza	Kraftuttag
RATIO	Ratio	Rapport	Übersetzungsverhältnis	Rapporto	Índice	Förhållande
REAR	Rear	Arrière	Hinten	Posteriore	Trasero	Bak; bakre
REMAN	Remanufactured	Echange Standard	Generalveberholt	Refatto	Refabricador por	Renoverad
REPL	Replaces	Remplace	Ersetzt	Sostituisce	Sustituye	Ersätter
RH	Right-hand	Droit	Rechts	Destra	Derecha	Höger
SN	Serial number	Numéro de série	Seriennummer	Numero di serie	Nº de serie	Seriennummer
STD	Standard	Standard	Standard	Standard	Normal	Standard
SUB	Replaced by	Remplacé par	Ersetzt durch	Sostituito da	Sustituido por	Ersatt med
SUB COMPONENTS	Substitute components (of the kit or assy)	Substituer les composants (du kit ou de l'ensemble)	Komponenten ersetzen (des Kits oder der Baugruppe)	Sostituire i componenti (del kito del gruppo)	Sustituir los componentes	Ersätta komponenterna (i satsen eller monteringen)
SUB FOR	Substitutes for	Remplace	Ersatz für	Sostituisce	Sustitución para	Ersätter
TEETH, Z	Number of gear teeth	Nombre de dents d'engrenages	Zahl der Zahnradzähne	Numero di denti dell'ingranaggio	Nº de dientes de engranaje	Antal redskapständer
TK	Thickness	Épaisseur	Stärke	Spessore	Espesor	Tjocklek
UP, UPPER	Upper	Supérieur	Oberer	Superiore	Superior	Övre
US	Undersize	Sous-dimension	Untergröße	Minorato	Subtamaño	Underdimension
USE WITH	Use with	À utiliser avec	Verwenden mit	Usare con	Usar con	Använd med
USE UNTIL EXHAUSTED	Use until exhausted	Utilisation jusqu'à épuisé	Verwenden, bis erschöpft	Usare fino all'esaurimento	Usar hasta agotar	Använda till uttömd
W/	With	Avec	Mit	Con	Con	Med; inklusive
W/O	Without	Sans	Ohne	Senza	Sin	Utan; exklusive
WHOLE GOODS	Whole goods	Marchandises entières	Vollständige Waren	Merci intere	Mercancías enteras	Hela varor
XLT	Extra Long Track	Chenille Extra Longue	Mit Extra Langem Laufwerk	Cingolo Extra Lungo	Cadena Extra Larga	Extra Laangt Larvband
VEC	Vehicle Electronic Controller	Controlleur Electronique Du Vehicule	Elektronisches Steuergeraet Des Fahrzeugs	Unità Di Comando Elettronica Del Veicolo	Unidad de Control Electronico del Vehiculo	Elektronisk Fordonsstyrenhet
VLC	Vehicle Load Center	Coffret De Repartition Du Vehicule	Verteilerstation Des Fahrzeugs	Centro Di Carico Del Veicolo	Centro De Cargas Del Vehiculo	Fordonets Elcentral

TX1007195

ALPHABETICAL INDEX

PAGE

PAGE

A

A/C AND HEATER BLOWER SWITCH.....	1674-11
A/C AND HEATER BLOWER WIRING HARNESS.....	1674-11
A/C AND HEATER THERMOSTAT SWITCH.....	1830-4
A/C BLOWER MOTOR AND SWITCH.....	1830-4
A/C BRACKET.....	1830-12
A/C COMPRESSOR.....	1830-12
A/C CONDENSER.....	1830-14
A/C DELETE COVER.....	1830-10
A/C DUCTS.....	1830-11
ABSORPTION, SOUND.....	1913-6
ACCESS PANEL.....	1810-2
ACCESS PLATFORM AND STEPS.....	1822-2
ACCESS STEPS.....	1822-2
ACCESS STEPS, CLOSE MOUNTED.....	1822-4
ACCUMULATOR.....	2160-8
ACCUMULATOR, BRAKE.....	1060-6
ACCUMULATOR, RIDE CONTROL (S.N. -595139).....	3160-98
ACCUMULATOR, RIDE CONTROL (S.N. 595140-).....	3160-100
ACTUATOR, RETURN-TO-DIG.....	3166-2
ACTUATOR, RETURN-TO-DIG (FOR USE WITH POWER LINKAGE).....	3166-10
ACTUATOR, RETURN-TO-DIG (TOOL CARRIER).....	3166-6
ADAPTER, ENGINE OIL COOLER.....	0419-2
ADAPTER, FUEL INJECTION PUMP.....	0413-2
ADAPTER, OIL PRESSURE SENSOR.....	1674-14
ADDITION OF AUXILIARY JOYSTICK TO JOYSTICK CONTROLLER KIT.....	3160-94
ADDITION OF AUXILIARY JOYSTICK TO TOOL CARRIER JOYSTICK CONTROLLER KIT.....	3160-94
ADDITION OF AUXILIARY TO JOYSTICK CONTROLLER KIT.....	3160-90
ADDITION OF AUXILIARY TO TOOL CARRIER JOYSTICK CONTROLLER KIT.....	3160-90
ADDITION OF AUXILIARY TO TOOL CARRIER TWO LEVER CONTROLLER KIT.....	3160-82
ADDITION OF AUXILIARY TO TWO LEVER CONTROLLER KIT.....	3160-82
AIR CLEANER.....	0520-2
AIR CLEANER FILTER.....	0520-2
AIR CLEANER HOSE.....	0520-2
AIR CLEANER SENSOR.....	0520-2
AIR COOLER, CHARGE.....	0510-2
AIR COOLER, CHARGE.....	0510-3A
AIR DUCT.....	1830-2
AIR FILTER RESTRICTION INDICATOR SENSOR.....	0520-2
AIR INTAKE.....	0414-2
AIR PRECLEANER.....	0520-4
ALARM AND CAB MONITOR.....	1674-10
ALARM, BACKUP.....	1810-36
ALTERNATOR (55 AMP).....	1672-2
ALTERNATOR (80 AMP).....	1672-6
ALTERNATOR BRACKET, UPPER.....	0423-2
ALTERNATOR CAPACITOR (55 AMP).....	1672-2
ALTERNATOR CAPACITOR (80 AMP).....	1672-6
ALTERNATOR DRIVE BELT (55 AMP).....	1672-2
ALTERNATOR DRIVE BELT (80 AMP).....	1672-6
ALTERNATOR MOUNTING BRACKETS (55 AMP).....	1672-2
ALTERNATOR MOUNTING BRACKETS (80 AMP).....	1672-6
ALTERNATOR REAR COVER (55 AMP).....	1672-4
ALTERNATOR REAR COVER (80 AMP).....	1672-8
ANTENNA, RADIO (SER. NO. -590067).....	2001-6

ANTENNA, RADIO (SERIAL NO.600741-).....	2001-7C
ANTENNA, RADIO (SER.NO. 590068-600740).....	2001-7A
ANTI-SKID MAT, COUNTERWEIGHT.....	1749-2
ARM REST.....	1821-2
ARM REST, RIGHT.....	1821-6
ARM, WINDSHIELD WIPER (FRONT).....	1810-26
ASH TRAY.....	1810-41
ASSEMBLY, CLUTCH, FIRST GEAR.....	0350-30
ASSEMBLY, CLUTCH, HIGH GEAR.....	0350-36
ASSEMBLY, CLUTCH, SECOND GEAR.....	0350-32
ASSEMBLY, CLUTCH, THIRD GEAR.....	0350-34
ASSEMBLY, U-JOINT.....	3160-88
ASSEMBLY,CLUTCH (FORWARD CLUTCH).....	0350-26
ASSEMBLY,CLUTCH (REVERSE CLUTCH).....	0350-28
ATTACHMENT COUPLER CYLINDER (POWERLLEL LINKAGE).....	3104-8
ATTACHMENT COUPLER CYLINDER (Z-BAR LINKAGE).....	3104-6
ATTACHMENT COUPLER HYDRAULIC CYLINDER (POWERLLEL AND Z-BAR LINKAGE).....	3104-14
ATTACHMENT COUPLER HYDRAULIC CYLINDER (POWERLLEL AND Z-BAR LINKAGE).....	3104-16
ATTACHMENT COUPLER, HI-VIS (Z-BAR LINKAGE).....	3104-12
ATTACHMENT COUPLER, TOOL CARRIER.....	3104-2
ATTACHMENT COUPLER, Z-BAR LINKAGE.....	3104-6
ATTACHMENT HI-VIS COUPLER HYDRAULIC CYLINDER (POWERLLEL AND Z-BAR LINKAGE).....	3104-18
ATTACHMENT LINKAGE, COUPLER, HI-VIS (POWERLLEL).....	3104-10
AUXILIARY CONTROLLER DETENT KIT.....	3160-84
AUXILIARY DRIVE COVER.....	0404-4
AUXILIARY HYD, THIRD FUNCTION, HIGH LIFT BOOM TO COUPLER (Z-BAR LINKAGE).....	3163-4
AUXILIARY HYDRAULICS, FOURTH FUNCTION (POWERLLEL LINKAGE).....	3160-70
AUXILIARY HYDRAULICS, FOURTH FUNCTION (Z-BAR LINKAGE) (S.N. -595139).....	3160-58
AUXILIARY HYDRAULICS, FOURTH FUNCTION (Z-BAR LINKAGE) (S.N. 595140-).....	3160-60
AUXILIARY HYDRAULICS, THIRD FUNCTION (POWERLLEL LINKAGE).....	3160-70
AUXILIARY HYDRAULICS, THIRD FUNCTION (POWERLLEL LINKAGE) (BOOM TO COUPLER).....	3163-6
AUXILIARY HYDRAULICS, THIRD FUNCTION (Z-BAR LINKAGE) (S.N. -595139).....	3160-54
AUXILIARY HYDRAULICS, THIRD FUNCTION (Z-BAR LINKAGE) (S.N. 595140-).....	3160-60
AUXILIARY JOYSTICK PILOT CONTROLLER COMPONENTS.....	3160-96
AUXILIARY JOYSTICK PILOT CONTROLLER REPAIR KIT.....	3160-96
AUXILIARY SINGLE LEVER CONTROLLER COMPONENTS.....	3160-84
AUXILIARY SINGLE LEVER CONTROLLER REPAIR KIT.....	3160-84
AUXILIARY VALVE SECTION LOADER CONTROL VALVE (S.N. -595139).....	3160-42
AUXILIARY VALVE SECTION LOADER CONTROL VALVE (S.N. 595140-).....	3160-44
AUXILIARY VALVE SECTION COMPONENTS LOADER CONTROL VALVE (S.N. -595139).....	3160-42
AUXILIARY VALVE SECTION COMPONENTS LOADER CONTROL VALVE (S.N. 595140-).....	3160-44

ALPHABETICAL INDEX - CONTINUED

	PAGE	PAGE	
AUXILIARY VALVE, FIFTH FUNCTION (SER. NO. - XXXXXX).....	3160-50	BELT, ALTERNATOR DRIVE (80 AMP).....	1672-6
AUXILIARY VALVE, FIFTH FUNCTION (SER. NO. XXXXXX -).....	3160-52	BELT, HARSH ENVIRONMENT ALTERNATOR (100 AMP).....	1672-10
AXLE BREATHER EXTENSION KIT	0260-19	BKT AND BM CYLS HYDRAULICS TO LOADER CONTROL VALVE(FOR USE WITH TC).....	3160-74
AXLE BREATHERS, HOSES AND FITTINGS.....	0260-18	BLADE, WINDSHIELD WIPER (FRONT)	1810-26
AXLE COOLER, HOSES AND FITTINGS (FACTORY INSTALLED AXLE COOLER)	0260-8	BLADE, WINDSHIELD WIPER (REAR).....	1810-28
AXLE COOLER, HOSES AND FITTINGS (FIELD INSTALLED AXLE COOLER)	0260-12	BLOCK HEATER.....	0505-1
AXLE DISCONNECT.....	0260-14	BLOCK, CYLINDER.....	0404-2
AXLE DISCONNECT LINE.....	0260-16	BLOCK, ENGINE SHORT.....	0450-2
AXLE DISCONNECT VALVE COMPONENTS	3160-103	BLOCK, REMANUFACTURED ENGINE.....	0450-2
AXLE DRIVE SHAFTS.....	0325-2	BLOWER MOTOR AND SWITCH, HEATER.....	1830-8
AXLE HOUSING, REAR.....	0210-24	BLOWER MOTOR AND SWITCH, HEATER AND A/C	1830-4
AXLE INPUT DISCONNECT.....	0260-14	BLOWER SWITCH, A/C AND HEATER.....	1674-11
AXLE OIL CIRCULATION HOSES	0260-10	BOOM CYLINDER.....	3165-4
AXLE OIL CIRCULATION PUMP AND MOTOR	0260-6	BOOM CYLINDER (FOR USE WITH POWERLLEL LINKAGE).....	3165-16
AXLE OIL COOLER (FACTORY INSTALLED AXLE COOLER)	0260-8	BOOM CYLINDER (FOR USE WITH TC)	3165-10
AXLE OIL COOLER (FIELD INSTALLED AXLE COOLER)	0260-12	BOOM CYLINDER HYDRAULIC FITTINGS	3165-2
AXLE OIL COOLER HYDRAULIC HOSES (FACTORY INSTALLED AXLE COOLER)	0260-8	BOOM CYLINDER HYDRAULICS (S.N. -595139) (FOR USE WITH Z-BAR LINKAGE).....	3160-54
AXLE OIL COOLER HYDRAULIC HOSES (FIELD INSTALLED AXLE COOLER)	0260-12	BOOM CYLINDER HYDRAULICS (S.N. 595140-) (FOR USE WITH Z-BAR LINKAGE).....	3160-56
AXLE SHAFT, REAR.....	0210-24	BOOM CYLINDER LOCK.....	3140-24
AXLE STOP (8 DEGREE).....	0242-4	BOOM CYLINDER PIN, LOADER FRAME (POWERLLEL LINKAGE).....	3140-6
AXLE, FRONT.....	0210-1	BOOM CYLINDER PIN, LOADER FRAME (TOOL CARRIER)	3140-4
AXLE, REAR.....	0210-1	BOOM CYLINDER PIN, LOADER FRAME (Z-BAR LINKAGE).....	3140-2
 B 		BOOM CYLINDER PINS AND FITTINGS.....	3165-2
BACKREST CUSHION.....	1821-2	BOOM CYLINDER PINS AND FITTINGS, POWERLLEL LINKAGE.....	3165-14
BACKUP ALARM.....	1810-36	BOOM CYLINDER PINS AND FITTINGS, TOOL CARRIER.....	3165-8
BAFFLE, ABSORBER.....	1913-6	BOOM CYLINDER ROD.....	3165-4
BAR, FRAME LOCK.....	1913-2	BOOM CYLINDER ROD (FOR USE WITH POWERLLEL LINKAGE).....	3165-16
BARREL ASSEMBLY, COUPLER CYLINDER (POWERLLEL AND Z-BAR LINKAGE)	3104-14	BOOM CYLINDER ROD SEAL KIT	3165-4
BARREL ASSEMBLY, COUPLER CYLINDER (POWERLLEL AND Z-BAR LINKAGE)	3104-16	BOOM CYLINDER ROD SEAL KIT (FOR USE WITH POWERLLEL LINKAGE).....	3165-16
BARREL ASSEMBLY, HI-VIS COUPLER CYLINDER (POWERLLEL AND Z-BAR LINKAGE)	3104-18	BOOM KICKOUT/RETURN TO CARRY	3166-4
BARREL, BOOM CYLINDER (FOR USE WITH TC).....	3165-10	BOOM KICKOUT/RETURN TO CARRY (TOOL CARRIER).....	3166-8
BARREL, TILT CYLINDER (FOR USE WITH TC).....	3165-12	BOOM KICKOUT/RETURN TO CARRY, LOADER (POWERLLEL LINKAGE).....	3166-12
BASE SEAT.....	1810-18	BOOM LINKAGE, HIGH LIFT LOADER BOOM.....	3140-16
BASE, OIL FILTER, ENGINE.....	0407-8	BOOM LINKAGE, LOADER.....	3140-16
BASE, SEAT.....	1810-20	BOOM LINKAGE, POWERLLEL.....	3140-20
BATTERY (625 CCA).....	1671-2	BOOM LINKAGE, TOOL CARRIER.....	3140-18
BATTERY (950 CCA).....	1671-2	BOOM PIVOT PIN (POWERLLEL LINKAGE).....	3140-6
BATTERY BOX.....	1913-4	BOOM PIVOT PIN (Z-BAR LINKAGE).....	3140-2
BATTERY CABLES.....	1671-2	BOOM PIVOT PIN (TOOL CARRIER)	3140-4
BATTERY COVERS.....	1913-4	BOOM SECTION VALVE LOADER CONTROL VALVE (S.N. -595139).....	3160-38
BATTERY DISCONNECT.....	1671-2	BOOM SECTION VALVE LOADER CONTROL VALVE (S.N. 595140-).....	3160-40
BATTERY DISCONNECT SWITCH.....	1671-2	BOOM TO COUPLER PIN DISCONNECT HOSES (POWERLLEL LINKAGE).....	3160-126
BEARING, DRIVELINE/PARKING BRAKE	1060-12	BOOM TO COUPLER PIN DISCONNECT HOSES (Z-BAR LINKAGE).....	3160-118
BEARINGS, CONNECTING ROD	0403-2	BOOM TO COUPLER THIRD FUNCTION HYDRAULIC HOSES (POWERLLEL LINKAGE)	3163-6
BEARINGS, MAIN.....	0401-1		
BELT TENSIONER (55 AMP)	1672-2		
BELT TENSIONER (80 AMP)	1672-6		
BELT TENSIONER, ENGINE.....	0429-1		
BELT TENSIONER, HARSH ENVIRONMENT ALTERN ATOR (100 AMP).....	1672-10		
BELT, ALTERNATOR DRIVE (55 AMP)	1672-2		

ALPHABETICAL INDEX - CONTINUED

	PAGE		PAGE
BOOM, HIGH LIFT, TO COUPLER, THIRD FUNCTION HOSES (Z-BAR LINKAGE).....	3163-4	BUCKET CYLINDER (FOR USE WITH POWERLLEL LINKAGE).....	3165-18
BOOM, LOADER	3140-8	BUCKET CYLINDER BORE KIT.....	3165-4
BOOM, POWERLLEL LINKAGE.....	3140-12	BUCKET CYLINDER BORE KIT.....	3165-6
BOOM, TOOL CARRIER	3140-10	BUCKET CYLINDER BORE KIT (FOR USE WITH POWERLLEL LINKAGE).....	3165-16
BOOT	3160-88	BUCKET CYLINDER BORE KIT (FOR USE WITH POWERLLEL LINKAGE).....	3165-18
BOOT, TWO LEVER PILOT CONTROLLER.....	3160-80	BUCKET CYLINDER HYDRAULIC FITTINGS	3165-2
BORE KIT, BOOM CYLINDER (FOR USE WITH TC).....	3165-10	BUCKET CYLINDER HYDRAULICS TO LOADER CONTROL VALVE(POWERLLEL LINKAGE)	3160-68
BORE KIT, BUCKET CYLINDER.....	3165-4	BUCKET CYLINDER HYDRAULICS(S.N. -595139) (FOR USE WITH Z-BAR LINKAGE).....	3160-54
BORE KIT, BUCKET CYLINDER.....	3165-6	BUCKET CYLINDER HYDRAULICS(S.N. 595140-) (FOR USE WITH Z-BAR LINKAGE).....	3160-56
BORE KIT, BUCKET CYLINDER (FOR USE WITH POWERLLEL LINKAGE)	3165-16	BUCKET CYLINDER PIN, LOADER FRAME (POWERLLEL LINKAGE).....	3140-6
BORE KIT, BUCKET CYLINDER (FOR USE WITH POWERLLEL LINKAGE)	3165-18	BUCKET CYLINDER PIN, LOADER FRAME (Z-BAR LINKAGE).....	3140-2
BORE KIT, TILT CYLINDER (FOR USE WITH TC).....	3165-12	BUCKET CYLINDER PINS AND FITTINGS	3165-2
BORE SEAL KIT, COUPLER CYLINDER (POWERLLEL AND Z-BAR LINKAGE)	3104-14	BUCKET CYLINDER ROD.....	3165-6
BORE SEAL KIT, COUPLER CYLINDER (POWERLLEL AND Z-BAR LINKAGE)	3104-16	BUCKET CYLINDER ROD (FOR USE WITH POWERLLEL LINKAGE).....	3165-18
BORE SEAL KIT, HI-VIS COUPLER CYLINDER (POWERLLEL AND Z-BAR LINKAGE)	3104-18	BUCKET CYLINDER ROD SEAL KIT.....	3165-6
BOTTOM GUARD, ABSORBER,	1913-6	BUCKET CYLINDER ROD SEAL KIT (FOR USE WITH POWERLLEL LINKAGE).....	3165-18
BOTTOM GUARD, FRONT	1746-4	BUCKET LINKAGE.....	3140-16
BOTTOM GUARD, FUEL TANK.....	1746-2	BUCKET LINKAGE (POWERLLEL LINKAGE).....	3140-20
BOTTOM GUARD, TRANSMISSION	1746-4	BUCKET SECTION VALVE LOADER CONTROL VALVE (S.N. -595139).....	3160-34
BOX, BATTERY.....	1913-4	BUCKET SECTION VALVE LOADER CONTROL VALVE (S.N. 595140-).....	3160-36
BRACKET EXTENSIONS, FRONT FENDER (TOOL CARRIER).....	1927-10	BUCKET TEETH, LOADER	3102-8
BRACKET, A/C.....	1830-12	BUCKET VALVE SECTION LOADER CONTROL VALVE (S.N. -595139).....	3160-34
BRACKET, BRAKE PEDAL.....	1060-2	BUCKET VALVE SECTION LOADER CONTROL VALVE (S.N. 595140-).....	3160-36
BRACKET, FIRE EXTINGUISHER	1810-18	BUCKET, LOADER (ATTACHMENT COUPLER).....	3102-4
BRACKET, FIRE EXTINGUISHER	1810-20	BUCKET, LOADER (HI-VIS COUPLER)	3102-6
BRACKET, FUEL INJECTION PUMP	0413-2	BUCKET, WASTE HANDLER	3102-12
BRACKET, LICENSE PLATE	1673-8	BUCKETS, LOADER.....	3102-2
BRACKET, MUFFLER.....	0530-2	BUMPER, BUTTON	1910-4
BRACKET, STEERING VALVE	1810-50	BUSHING, HI-VIS LINKAGE ATTACHMENT COUPLER (POWERLLEL).....	3104-10
BRACKET, UPPER ALTERNATOR	0423-2	BUSHING, LOADER BOOM.....	3140-8
BRACKETS, ENGINE MOUNTING	0540-2	BUSHING, PULLEY, TORSIONAL DAMPER.....	0429-2
BRACKETS, MOUNTING, TRANSMISSION	0342-2	BUSHING, Z-BAR LINKAGE ATTACHMENT, HI-VIZ COUPLER.....	3104-12
BRACKETS, SEAT	1821-2	BUSHINGS, POWERLLEL LINKAGE BOOM.....	3140-12
BRACKETS, WIPER MOUNTING	1810-30	BUTTON BUMPER	1910-4
BRAKE ACCUMULATOR.....	1060-6	BYPASS VALVE LINES, TRANSMISSION.....	0360-4
BRAKE ASSEMBLY, DUAL FRONT.....	1011-2	BYPASS VALVE, ENGINE OIL.....	0404-2
BRAKE ASSEMBLY, REAR DUAL	1011-3	BYPASS VALVE, OIL FILTER.....	0407-8
BRAKE LINE	1060-10		
BRAKE PEDAL	1060-2	C	
BRAKE PEDAL BRACKET	1060-2	CAB.....	1810-2
BRAKE VALVE	1060-2	CAB BACK PLATE	1810-18
BRAKE VALVE FITTINGS.....	1060-2	CAB CONTROL UNIT HOUSING	1674-6
BRAKE VALVE HYDRAULICS.....	1060-10	CAB DOOR	1810-6
BRAKE VALVE SWITCH.....	1060-2	CAB DOOR HOLD OPEN LATCH	1810-2
BRAKE, FRONT ASSEMBLY.....	1011-2	CAB FLOOR	1810-18
BRAKE, PARKING	1060-12	CAB FLOOR MAT	1810-46
BRAKE, REAR ASSEMBLY	1011-3	CAB GLASS.....	1810-4
BREATHER, AXLE	0260-18	CAB LABELS AND DECALS	1322-4
BUCKET CONVERSION PIVOT PLATE (HI-VIS LINKAGE).....	3104-22		
BUCKET CONVERSION PIVOT PLATE (POWERLLEL LINKAGE).....	3104-20		
BUCKET CUTTING EDGE	3102-2		
BUCKET CUTTING EDGE	3102-12		
BUCKET CUTTING EDGE (ATTACHMENT COUPLER).....	3102-4		
BUCKET CUTTING EDGE, LOADER.....	3102-10		
BUCKET CYLINDER	3165-6		

ALPHABETICAL INDEX - CONTINUED

	PAGE		PAGE
CAB LEFT SIDE CONSOLE COVER	1810-42	COMPARTMENT, LOAD CENTER	1674-6
CAB MONITOR AND ALARM	1674-10	COMPONENTS, AUXILIARY JOYSTICK PILOT	
CAB MONITOR CONSOLE	1810-8	CONTROLLER	3160-96
CAB MOUNTS (FRONT AND REAR)	1810-22	COMPONENTS, AUXILIARY VALVE SECTION	
CAB PEDESTAL	1810-12	LOADER CONTROL VALVE (S.N. -595139)	3160-42
CAB ROOF, PLASTIC	1810-34	COMPONENTS, AUXILIARY VALVE SECTION	
CAB SHIELDS	1810-32	LOADER CONTROL VALVE (S.N. 595140-)	3160-44
CAB WIRING HARNESS	1674-6	COMPONENTS, FIFTH FUNCTION VALVE	
CABLE, HEATER CONTROL	1830-2	(SER. NO. - XXXXXX)	3160-50
CABLE, HEATER CONTROL	1830-6	COMPONENTS, FIFTH FUNCTION VALVE	
CABLE, HI-VIS COUPLER HYDRAULIC HOSES	3163-2	(SER. NO. XXXXXX -)	3160-52
CABLES, BATTERY	1671-2	COMPONENTS, HVAC MODULE	1830-4
CAMSHAFT	0404-1	COMPONENTS, SINGLE AND DUAL AUXILIARY	
CAMSHAFT GEAR	0404-1	CONTROLLER	3160-84
CANOPY	1810-16	COMPONENTS, VALVE, PIN AND AXLE DISCON	3160-103
CANOPY FLOOR	1810-20	COMPONENTS, HYDRAULIC OIL PRESSURE	
CANOPY FLOOR MAT	1810-46	REGULATOR VALVE	2160-10
CANOPY FRAME	1810-16	COMPRESSOR, A/C	1830-12
CANOPY HEADLINER	1810-16	CONDENSER, A/C	1830-14
CANOPY LABELS AND DECALS	1322-10	CONNECTING ROD	0403-2
CANOPY MONITOR CONSOLE	1810-10	CONSOLE CAB	1810-54
CANOPY MONITOR HOUSING	1810-10	CONSOLE COVER, CAB LEFT SIDE	1810-42
CANOPY PEDESTAL	1810-12	CONSOLE, CANOPY MONITOR	1810-10
CANOPY REAR WINDOW	1810-16	CONSOLE, CUPHOLDER	1810-54
CANOPY ROOF, PLASTIC	1810-34	CONSULE, MONITOR	1810-8
CANOPY ROPS	1810-16	CONTOLLER, AUXILIARY SINGLE LEVER	3160-84
CAP, ENGINE OIL FILLER	0407-2	CONTROL UNIT HOUSING, CAB	1674-6
CAP, FUEL TANK	0560-2	CONTROL UNIT, ENGINE	1674-6
CAP, MAIN BEARING	0404-2	CONTROL UNIT, TRANSMISSION	1674-6
CAP, RADIATOR	0510-2	CONTROL VALVE COVER, ABSORBER	1913-6
CAP, RADIATOR	0510-3A	CONTROL VALVE MANIFOLD, TRANSMISSION	0350-16
CAP, WINDOW WASHER	1810-24	CONTROL VALVE STUD ASSEMBLY	
CAP, HYDRAULIC OIL RESERVOIR FILLER	2160-6	LOADER CONTROL VALVE (S.N. -595139)	3160-20
CAPACITOR, ALTERNATOR (55 AMP)	1672-2	CONTROL VALVE STUD ASSEMBLY, LOADER	
CAPACITOR, ALTERNATOR (80 AMP)	1672-6	(2-SPOOL) (S.N. 595140-)	3160-4
CARRIER, FRONT PLANETARY PINION	0210-26	CONTROL VALVE STUD ASSEMBLY, LOADER	
CARRIER, REAR PLANETARY PINION	0210-28	(4-SPOOL) (S.N. 595140-)	3160-16
CASE, FRONT STANDARD DIFFERENTIAL	0210-10	CONTROL VALVE TIE BOLTS, LOADER	
CASE, REAR STANDARD DIFFERENTIAL	0210-12	(2-SPOOL) (S.N. 595140-)	3160-4
CASSETTE PLAYER		CONTROL VALVE TIE BOLTS, LOADER	
(SER. NO. -590067)	2001-6	(3-SPOOL) (S.N. 595425-)	3160-10
CASSETTE PLAYER		CONTROL VALVE TIE BOLTS, LOADER	
(SERIAL NO.600741-)	2001-7C	(4-SPOOL) (S.N. 595140-)	3160-16
CASSETTE PLAYER (SER.NO. 590068-600740)	2001-7A	CONTROL VALVE, LOADER (2-SPOOL)	
CD PLAYER (SER. NO. -590067)	2001-6	(S.N. -595139)	3160-2
CD PLAYER (SER.NO. 590068-600740)	2001-7A	CONTROL VALVE, LOADER (2-SPOOL)	
CD PLAYER (SERIAL NO.600741-)	2001-7C	(S.N. 595140-)	3160-4
CHARGE AIR COOLER	0510-2	CONTROL VALVE, LOADER (2-SPOOL)	
CHARGE AIR COOLER	0510-3A	TOOL CARRIER	3160-6
CIRCULATION PUMP AND MOTOR, AXLE OIL	0260-6	CONTROL VALVE, LOADER (3-SPOOL)	
CLAMP, HI LIFT BOOM TO COUPLER, THIRD		(S.N. -595139)	3160-8
FUNCTION HYD HOSES (Z-BAR LINKAGE)	3163-4	CONTROL VALVE, LOADER (3-SPOOL)	
CLAMP, HI-VIS COUPLER HYDRAULIC HOSES	3163-2	(S.N. 595140-)	3160-10
CLEANER, AIR	0520-2	CONTROL VALVE, LOADER (3-SPOOL)	
CLOSE MOUNTED STEPS	1822-4	TOOL CARRIER	3160-12
CLUTCH ASSEMBLY		CONTROL VALVE, LOADER (4-SPOOL)	
(FORWARD CLUTCH)	0350-26	(S.N. -595139)	3160-14
CLUTCH ASSEMBLY		CONTROL VALVE, LOADER (4-SPOOL)	
(REVERSE CLUTCH)	0350-28	(S.N. 595140-)	3160-16
CLUTCH ASSEMBLY, FIRST GEAR	0350-30	CONTROL VALVE, TRANSMISSION	0350-18
CLUTCH ASSEMBLY, HIGH GEAR	0350-36	CONTROL VALVE STUD ASSEMBLY, LOADER	
CLUTCH ASSEMBLY, SECOND GEAR	0350-32	(3-SPOOL) (S.N. 595425-)	3160-10
CLUTCH ASSEMBLY, THIRD GEAR	0350-34	CONTROL, TEMPERATURE	1830-2
CLUTCH, STARTING MOTOR	0422-2	CONTROL, TEMPERATURE	1830-6
COAT HOOK	1810-40	CONTROL, RADIO REMOTE	
COLUMN, LOWER STEERING	1810-50	(SER. NO. -590067)	2001-6
COLUMN, STEERING	1810-48		

ALPHABETICAL INDEX - CONTINUED

	PAGE		PAGE
CONTROL, RADIO REMOTE		COVER, TIMING GEAR.....	0417-2
(SER.NO. 590068-600740).....	2001-7A	COVER, TRANSMISSION.....	0350-13
CONTROL, RADIO REMOTE		COVER, TRANSMISSION HOUSING.....	0350-8
(SERIAL NO.600741-).....	2001-7C	COVER, VALVE.....	0402-1
CONTROLLER, AUXILIARY JOYSTICK PILOT.....	3160-96	COVER, VANDAL.....	1810-20
CONTROLLER, JOYSTICK PILOT.....	3160-88	COVER, Z-BAR LINKAGE ATTACHMENT, COUPLER.....	3104-12
CONTROLLER, TWO LEVER PILOT.....	3160-80	COVER, DRIVE DAMPER.....	0350-38
CONVERSION BUCKET PIVOT PLATE		COVER, GEARBOX HOUSING.....	0350-8
(HI-VIS LINKAGE).....	3104-22	COVER, TORQUE CONVERTER HOUSING.....	0350-4
CONVERSION BUCKET PIVOT PLATE		COVERS, BATTERY.....	1913-4
(POWERLLEL LINKAGE).....	3104-20	CRANKSHAFT AND BEARINGS.....	0401-1
CONVERSION KIT, JOYSTICK FNR.....	3160-92	CRANKSHAFT GEAR.....	0401-1
CONVERTER (10 AMP)		CUPHOLDER CONSOLE.....	1810-54
(24 VOLT TO 12 VOLT).....	1674-13	CUSHION, BACKREST.....	1821-2
CONVERTER (5 AMP)		CUSHION, SEAT.....	1821-2
(24 VOLT TO 12 VOLT).....	1674-12	CUSHIONS, STEERING, ENGINE FRAME.....	1740-4
CONVERTER AND POWER PLUG (10 AMP)		CUTTING EDGE.....	3102-10
(24 VOLT TO 12 VOLT).....	1674-13	CUTTING EDGE, BUCKET.....	3102-12
CONVERTER AND POWER PLUG (5 AMP)		CUTTING EDGE, LOADER BUCKET.....	3102-2
(24 VOLT TO 12 VOLT).....	1674-12	CUTTING EDGE, LOADER BUCKET.....	3102-10
CONVERTER RELIEF VALVE.....	0350-22	CUTTING EDGE, WASTE HANDLER BUCKET.....	3102-12
CONVERTER, TORQUE.....	0350-4	CUTTING EDGE, BUCKET.....	3102-2
COOLANT HEATER, ENGINE.....	0505-1	CUTTING EDGE, BUCKET (ATTACHMENT COUPLER).....	3102-4
COOLANT MANIFOLD.....	0418-2	CYLINDER BLOCK.....	0404-2
COOLANT RECOVERY TANK.....	0510-2	CYLINDER HEAD.....	0409-2
COOLANT RECOVERY TANK.....	0510-3A	CYLINDER LINER.....	0403-2
COOLANT TEMPERATURE SENSOR.....	0418-2	CYLINDER LOCK, BOOM.....	3140-24
COOLANT TEMPERATURE SENSOR.....	1674-14	CYLINDER-FITTING ROCK GUARD.....	1746-6
COOLER, AXLE		CYLINDER, ATTACHMENT COUPLER	
(FACTORY INSTALLED AXLE COOLER).....	0260-8	(POWERLLEL AND Z-BAR LINKAGE).....	3104-14
COOLER, AXLE		CYLINDER, ATTACHMENT COUPLER	
(FIELD INSTALLED AXLE COOLER).....	0260-12	(POWERLLEL AND Z-BAR LINKAGE).....	3104-16
COOLER, CHARGE AIR.....	0510-2	CYLINDER, ATTACHMENT COUPLER	
COOLER, CHARGE AIR.....	0510-3A	(POWERLLEL LINKAGE).....	3104-8
COOLER, ENGINE OIL.....	0419-2	CYLINDER, ATTACHMENT COUPLER	
COOLER, HYDRAULIC OIL.....	0510-2	(Z-BAR LINKAGE).....	3104-6
COOLER, HYDRAULIC OIL.....	0510-3A	CYLINDER, ATTACHMENT HI-VIS COUPLER	
COOLER, TRANSMISSION OIL.....	0510-2	(POWERLLEL AND Z-BAR LINKAGE).....	3104-18
COOLER, TRANSMISSION OIL.....	0510-3A	CYLINDER, BOOM.....	3165-4
COOLING SYSTEM ACCESS PANELS.....	1910-6	CYLINDER, BOOM	
COUNTERWEIGHT, LINKAGE COUPLER		(FOR USE WITH POWERLLEL LINKAGE).....	3165-16
(NEW VERSION).....	1520-4	CYLINDER, BOOM	
COUNTERWEIGHT, LINKAGE COUPLER		(FOR USE WITH TC).....	3165-10
(OLD VERSION).....	1520-2	CYLINDER, BUCKET.....	3165-6
COUNTERWEIGHT, MAIN.....	1749-2	CYLINDER, BUCKET	
COUPLER HYDRAULIC CYLINDER, ATTACHMENT		(FOR USE WITH POWERLLEL LINKAGE).....	3165-18
(POWERLLEL AND Z-BAR LINKAGE).....	3104-14	CYLINDER, HI-VIS LINKAGE ATTACHMENT	
COUPLER HYDRAULIC CYLINDER, ATTACHMENT		COUPLER (POWERLLEL).....	3104-10
(POWERLLEL AND Z-BAR LINKAGE).....	3104-16	CYLINDER, POWERLLEL LINKAGE COUPLER.....	3104-8
COUPLER, ATTACHMENT		CYLINDER, STEERING.....	0960-10
(Z-BAR LINKAGE).....	3104-6	CYLINDER, TILT	
COUPLER, HI-VIS, Z-BAR LINKAGE.....	3104-12	(FOR USE WITH TC).....	3165-12
COUPLER, POWERLLEL LINKAGE.....	3104-8	CYLINDER, TOOL CARRIER ATTACHMENT	
COUPLER, TOOL CARRIER ATTACHMENT.....	3104-2	COUPLER.....	3104-4
COVER, A/C DELETE.....	1830-10	CYLINDER, Z-BAR ATTACHMENT COUPLER.....	3104-6
COVER, ACCESS, INJECTION PUMP.....	0417-2	CYLINDER, Z-BAR LINKAGE ATTACHMENT,	
COVER, AIR INTAKE.....	0414-2	HI-VIZ COUPLER.....	3104-12
COVER, AUXILIARY DRIVE.....	0404-4		
COVER, CAB LEFT SIDE CONSOLE.....	1810-42		
COVER, CONSOLE SWITCH.....	1810-54		
COVER, FRESH AIR HOUSING.....	1810-44		
COVER, HI-VIS LINKAGE ATTACHMENT COUPLER			
(POWERLLEL).....	3104-10		
COVER, REAR, ALTERNATOR (55 AMP).....	1672-4		
COVER, REAR, ALTERNATOR (80 AMP).....	1672-8		
COVER, STEERING COLUMN.....	1810-52		
COVER, THERMOSTAT HOUSING.....	0418-2		

D

DAMPER, DRIVE.....	0350-38
DASH MODULE WIRING WITH JOYSTICK.....	1674-9
DECALS AND LABELS (CANOPY).....	1322-10
DECALS AND LABELS (FRENCH).....	1322-6
DECALS AND LABELS (SPANISH).....	1322-8
DECALS AND LABELS, CAB.....	1322-4

ALPHABETICAL INDEX - CONTINUED

	PAGE		PAGE
DECALS AND TRADEMARKS (ENGLISH)	1322-2	ELECTRIC FIFTH FUNCTION.....	3160-30
DETENT KIT, AUXILIARY CONTROLLER.....	3160-84	ELECTRICAL CENTER, VEHICLE.....	1674-18
DIFFERENTIAL CASE, FRONT	0210-6	ELEMENT, A/C FILTER.....	1830-2
DIFFERENTIAL CASE, FRONT, STANDARD.....	0210-10	ELEMENT, AIR CLEANER FILTER.....	0520-2
DIFFERENTIAL CASE, REAR.....	0210-8	ELEMENT, ENGINE OIL FILTER.....	0407-8
DIFFERENTIAL CASE, REAR, STANDARD	0210-12	ELEMENT, FUEL FILTER	0420-2
DIFFERENTIAL DRIVE SHAFTS	0325-2	ELEMENT, TRANSMISSION OIL FILTER	0350-2
DIFFERENTIAL LOCK.....	0210-17	EMBLEM, SLOW MOVING VEHICLE.....	1810-37
DIFFERENTIAL LOCK CASE, FRONT.....	0210-6	EMBLEM, SMV	1810-37
DIFFERENTIAL LOCK CASE, REAR.....	0210-8	ENGINE AIR PLENUM	1910-4
DIFFERENTIAL LOCK LINE, FRONT	0260-2	ENGINE COMPARTMENT STEP	1822-6
DIFFERENTIAL LOCK LINES, FRONT AND REAR	0260-4	ENGINE CONTROL UNIT.....	1674-6
DIFFERENTIAL LOCK SWITCH	0260-20	ENGINE COOLANT HEATER.....	0505-1
DIFFERENTIAL SUPPORT LUBRICATION LINES	0242-2	ENGINE COOLANT TEMPERATURE AND OIL PRESSURE SENSORS	1674-14
DIFFERENTIAL SUPPORTS.....	0242-2	ENGINE COOLANT TEMPERATURE SENSOR	1674-14
DIFFERENTIAL, FRONT HYDRAULIC ACTUATED.....	0210-14	ENGINE DOOR, ABSORBER.....	1913-6
DIFFERENTIAL, FRONT STANDARD.....	0210-18	ENGINE DRIVE SHAFT.....	0325-2
DIFFERENTIAL, FRT. FOUR PINION HYDRAULIC	0210-14	ENGINE FAN DRIVE HYDRAULIC MOTOR.....	0510-6
DIFFERENTIAL, REAR FOUR PINION HYDRAULIC	0210-16	ENGINE FAN DRIVE HYDRAULIC PUMP.....	0510-6
DIFFERENTIAL, REAR HYDRAULIC ACTUATED	0210-16	ENGINE FRAME.....	1740-2
DIFFERENTIAL, REAR STANDARD	0210-20	ENGINE FRAME PIN.....	1740-2
DIFFERENTIAL, 4 PINION HYD ACTUATED.....	0210-17	ENGINE FRAME STEERING CUSHIONS	1740-4
DIODE, PIN DISCONNECT HARNESS	1674-15	ENGINE FRAME WIRING HARNESS (FOR USE WITH POWERLELL LINKAGE).....	1674-4
DIODES, VEC.....	1674-18	ENGINE FRAME WIRING HARNESS (SN -603805).....	1674-2
DIPSTICK, ENGINE OIL.....	0407-7	ENGINE FRAME WIRING HARNESS(SN 603806-)	1674-3A
DISCONNECT VALVE COMPONENTS,PIN AND AXLE.....	3160-103	ENGINE FRONT PLATE	0404-4
DISCONNECT VALVE, AXLE AND PIN (S.N. 595140-).....	3160-110	ENGINE MOUNTING BRACKETS.....	0540-2
DISCONNECT, AXLE INPUT.....	0260-14	ENGINE OIL BYPASS VALVE	0404-2
DISCONNECT, BATTERY.....	1671-2	ENGINE OIL COOLER	0419-2
DOMELIGHT AND HEADLINER	1810-14	ENGINE OIL DIPSTICK.....	0407-7
DOMELIGHT SWITCH, DOOR ACTIVATED	1673-5	ENGINE OIL FILLER	0407-2
DOOR	1810-6	ENGINE OIL FILTER & HEADER	0407-8
DOOR ACTIVATED DOMELIGHT SWITCH	1673-5	ENGINE OIL PRESSURE REGULATING VALVE.....	0404-2
DOOR GLASS	1810-6	ENGINE OIL PRESSURE SENSOR.....	1674-14
DOOR LATCH, BATTERY COVERS.....	1913-4	ENGINE OVERHAUL GASKET KIT	0452-2
DOOR, ACCESS.....	1810-2	ENGINE OVERHAUL KIT	0404-6
DOOR, BATTERY COVERS	1913-4	ENGINE SHORT BLOCK.....	0450-2
DOOR, ENGINE SERVICE.....	1910-4	ENGINE SIDE SHIELD LATCH.....	1910-4
DOOR, FAN	0510-4	ENGINE SIDE SHIELD PLATE	1910-4
DRAIN KIT, ENVIRONMENTAL	1369-2	ENGINE SIDE SHIELDS.....	1910-4
DRAIN VALVE, ENGINE OIL PAN	0407-4	ENGINE SPEED CONTROL LINKAGE	0515-2
DRIP RAIL	1810-17A	ENGINE SPEED CONTROL PEDAL	0515-2
DRIVE BELT TENSIONER	0429-1	ENGINE SPEED CONTROL SENSOR.....	0515-2
DRIVE DAMPER.....	0350-38	ENGINE THERMOSTAT AND HOUSING	0418-2
DRIVE DAMPER COVER	0350-38	ENGINE VENTILATING SYSTEM	0408-1
DRIVE HI-BEAM LAMP (SN -603805).....	1673-2	ENVIRONMENTAL DRAIN KIT	1369-2
DRIVE HI-BEAM LAMP (SN 603806-).....	1673-3A	EXHAUST MANIFOLD.....	0410-2
DRIVE SHAFT, ENGINE	0325-2	EXHAUST PIPE	0530-2
DRIVE SHAFTS, AXLE DIFFERENTIALS.....	0325-2	EXHAUST VALVE	0409-2
DRIVE SHAFTS, TRANSMISSION.....	0325-2	EXTENSION KIT, AXLE BREATHER.....	0260-19
DRIVELINE BEARING/PARKING BRAKE.....	1060-12	EXTENSION KIT, PARKING BRAKE	0260-19
DUAL BRAKE ASSEMBLY, FRONT	1011-2	EXTENSIONS, BRACKET, FRONT FENDER (TOOL CARRIER)	1927-10
DUAL BRAKE ASSEMBLY, REAR.....	1011-3	EXTERNAL OIL LINES, TRANSMISSION.....	0360-4
DUAL JOYSTICK PILOT CONTROLLER AND HYDRAULIC HOSES	3160-94	EXTIGUISHER, FIRE.....	1810-20
DUCT, AIR	1830-2	EXTINGUISHER, FIRE	1810-18
DUCT, FRESH AIR	1830-2		
DUCT, FRESH AIR	1830-6	F	
DUCTS, HEATER AND A/C.....	1830-11	FAN	0510-4
		FAN DOOR.....	0510-4
E		FAN DRIVE HYDRAULIC HOSES	0510-6
EDGE, CUTTING.....	3102-10	FAN DRIVE HYDRAULIC PUMP	0510-6

ALPHABETICAL INDEX - CONTINUED

	PAGE		PAGE
FAN DRIVE MOTOR	0510-6	FITTINGS, TWO LEVER PILOT CONTROLLER	
FAN DRIVE, REVERSE, HYDRAULIC PUMP	0510-8	WITH AUXILIARY	3160-82
FAN DRIVE, REVERSE, MOTOR	0510-8	FLOOR MAT, CAB	1810-46
FAN GUARD	0510-4	FLOOR MAT, CANOPY	1810-46
FAN SHROUD	0510-4	FLOOR, CAB	1810-18
FAN SUPPORT	0510-4	FLOOR, CANOPY	1810-20
FENDER BRACKET EXTENSIONS		FLYWHEEL	0433-1
(TOOL CARRIER)	1927-10	FLYWHEEL HOUSING	0433-2
FENDERS, FRONT	1927-2	FNR CONVERSION KIT	3160-92
FENDERS, FRONT		FNR CONVERSION KIT	3160-93
FULL COVERAGE	1927-6	FORKS, GUARD	3103-6
FENDERS, REAR	1927-4	FORKS, PALLET	3103-2
FENDERS, REAR		FORKS, PALLET (HI-VIS)	3103-4
FULL COVERAGE	1927-8	FORWARD CLUTCH ASSEMBLY	0350-26
FENDERS, REAR (W/LATCH)		FOUR SPOOL CONTROL VALVE	
FULL COVERAGE	1927-9A	(S.N. -595139)	3160-14
FIELD	3160-93	FOUR SPOOL CONTROL VALVE, LOADER	
FIELD KIT	3160-93	(S.N. 595140-)	3160-16
FIELD KIT, PIN DISCONNECT		FOUR SPOOL LOADER CONTROL VALVE	
(Z-BAR LINKAGE) (S.N. -595139)	3160-114	(S.N. -595139)	3160-14
FIELD KIT, PIN DISCONNECT		FOUR SPOOL LOADER CONTROL VALVE	
(Z-BAR LINKAGE) (S.N. 595140-)	3160-116	(S.N. 595140-)	3160-16
FIFTH FUNCTION VALVE SECTION		FOUR SPOOL VALVE, LOADER	
(SER. NO. - XXXXXX)	3160-50	(S.N. -595139)	3160-14
FIFTH FUNCTION VALVE SECTION		FOUR SPOOL VALVE, LOADER CONTROL	
(SER. NO. XXXXXX -)	3160-52	(S.N. 595140-)	3160-16
FIFTH FUNTION KIT	3160-30	FOURTH FUNCTION AUXILIARY HYDRAULICS	
FILL TUBE, TRANSMISSION	0360-2	(FOR USE WITH TC)	3160-76
FILLER NECK, ENGINE OIL	0407-2	FOURTH FUNCTION AUXILIARY HYDRAULICS	
FILTER ELEMENT, TRANSMISSION OIL	0350-2	(POWERLLEL LINKAGE)	3160-70
FILTER HEAD, TRANSMISSION OIL	0350-2	FOURTH FUNCTION AUXILIARY HYDRAULICS	
FILTER RESTRICTION SWITCH, TRANSMISSION		(Z-BAR LINKAGE) (S.N. -595139)	3160-58
OIL	0350-16	FOURTH FUNCTION AUXILIARY HYDRAULICS	
FILTER, AIR CLEANER	0520-2	(Z-BAR LINKAGE) (S.N. 595140-)	3160-60
FILTER, ENGINE OIL	0407-8	FRAME LOCK BAR	1913-2
FILTER, FINAL FUEL	0420-2	FRAME, CANOPY	1810-16
FILTER, FRESH AIR	1830-2	FRAME, ENGINE	1740-2
FILTER, FRESH AIR	1830-6	FRAME, FAN GUARD	0510-4
FILTER, HVAC RECIRCULATION	1830-4	FRAME, GUARD	3103-6
FILTER, HVAC RECIRCULATION	1830-8	FRAME, LOADER	
FILTER, HYDRAULIC OIL	2160-6	(POWERLLEL LINKAGE)	3140-6
FILTER, PRIMARY FUEL	0420-2	FRAME, LOADER	
FILTER, TRANSMISSION OIL	0350-2	(Z-BAR LINKAGE)	3140-2
FINAL DRIVE SHAFT, FRONT	0210-26	FRAME, PALLET FORK	3103-2
FINAL DRIVE SHAFT, REAR	0210-28	FRAME, PALLET FORK (HI-VIS)	3103-4
FIRE EXTINGUISHER AND BRACKET	1810-18	FRAME, TOOL CARRIER	3140-4
FIRE EXTINGUISHER AND BRACKET	1810-20	FRENCH LABELS AND DECALS	1322-6
FIRST GEAR CLUTCH ASSEMBLY	0350-30	FRESH AIR DUCT	1830-2
FITTINGS, DUAL JOYSTICK PILOT CONTROLLER	3160-94	FRESH AIR DUCT	1830-6
FITTINGS, HEATER	1830-16	FRESH AIR FILTER	1830-2
FITTINGS, HI-VIS COUPLER HYDRAULIC HOSES	3163-2	FRESH AIR FILTER	1830-6
FITTINGS, HYDRAULIC, BOOM CYLINDER	3165-2	FRESH AIR FILTER ELEMENT	1830-2
FITTINGS, HYDRAULIC, BUCKET CYLINDER	3165-2	FRESH AIR FILTER ELEMENT	1830-6
FITTINGS, JOYSTICK PILOT CONTROLLER	3160-86	FRESH AIR HOUSING COVER	1810-44
FITTINGS, JOYSTICK PILOT CONTROLLER WITH		FRONT AND REAR CAB MOUNTS	1810-22
AUXILIARY	3160-90	FRONT AND REAR DIFFERENTIAL LOCK LINES	0260-4
FITTINGS, POWERLLEL LINKAGE		FRONT AND REAR WINDOW WASHER	1810-24
BOOM CYLINDER	3165-14	FRONT AND REAR WORK LAMP	1673-4
FITTINGS, POWERLLEL LINKAGE		FRONT AXLE	0210-1
TILT CYLINDER	3165-14	FRONT AXLE CAPSCREWS	
FITTINGS, PRESSURE REGULATOR VALVE	2160-8	(POWERLLEL LINKAGE)	3140-6
FITTINGS, STEERING CYLINDER	0960-8	FRONT AXLE CAPSCREWS	
FITTINGS, STEERING VALVE	0960-2	(TOOL CARRIER)	3140-4
FITTINGS, TOOL CARRIER BOOM CYLINDER	3165-8	FRONT AXLE CAPSCREWS	
FITTINGS, TOOL CARRIER TILT CYLINDER	3165-8	(Z-BAR LINKAGE)	3140-2
FITTINGS, TRANSMISSION	0350-2	FRONT AXLE DISCONNECT	0260-14
FITTINGS, TWO LEVER PILOT CONTROLLER	3160-78	FRONT AXLE HOUSING	0210-22

ALPHABETICAL INDEX - CONTINUED

	PAGE		PAGE
HI-VIS LINKAGE CONVERSION BUCKET		HOSES, HYDRAULIC, THIRD FUNCTION	
PIVOT PLATE	3104-22	(POWERLLEL LINKAGE) (BOOM TO COUPLER)	3163-6
HI-VIS LINKAGE COUPLER (POWERLLEL)	3104-10	HOSES, HYDRAULIC, THIRD FUNCTION	
HIGH GEAR CLUTCH ASSEMBLY	0350-36	(Z-BAR LINKAGE) (S.N. -595139)	3160-54
HIGH LIFT BOOM TO COUPLER THIRD		HOSES, HYDRAULIC, THIRD FUNCTION	
FUNCTION HOSES (Z-BAR LINKAGE).....	3163-4	(Z-BAR LINKAGE) (S.N. 595140-)	3160-60
HIGH LIFT LOADER BOOM LINKAGE	3140-16	HOSES, JOYSTICK PILOT CONTROLLER.....	3160-86
HINGE, REAR FULL COVERAGE FENDER	1927-9A	HOSES, JOYSTICK PILOT CONTROLLER WITH	
HITCH ASSEMBLY (NEW VERSION)	1520-4	AUXILARY	3160-90
HITCH ASSEMBLY (OLD VERSION)	1520-2	HOSES, LUBRICATION, STEERING CYLINDER	0960-8
HITCH ASSEMBLY WITH 8" PROTECTION BUMPER		HOSES, PIN DISCONNECT HYDRAULIC	
(NEW VERSION)	1520-4	(BOOM TO COUPLER)(POWERLLEL LINKAGE)	3160-126
HITCH ASSEMBLY WITH 8" PROTECTION BUMPER		HOSES, PIN DISCONNECT HYDRAULIC	
(OLD VERSION)	1520-2	(BOOM TO COUPLER)(Z-BAR LINKAGE)	3160-118
HOOD	1910-2	HOSES, TURBOCHARGER	0416-1
HOOD, ABSORBER.....	1913-6	HOSES, TWO LEVER PILOT CONTROLLER.....	3160-78
HOOK, COAT	1810-40	HOSES, TWO LEVER PILOT CONTROLLER	
HOOKS, LIFT	1330-2	WITH AUXILARY	3160-82
HORN	1810-35	HOSES, WINDOW WASHER	1810-24
HORN SWITCH	1810-48	HOSES,BOOM AND BUCKET CYLINDER HYDRAULIC	
HOSE, A/C	1830-12	(Z-BAR LINKAGE) (S.N. -595139)	3160-54
HOSE, AIR CLEANER	0520-2	HOSES,BOOM AND BUCKET CYLINDER HYDRAULIC	
HOSE, FUEL TANK FILLER	0560-2	(Z-BAR LINKAGE) (S.N. 595140-)	3160-56
HOSE, HYD, THIRD FUNCTION, BOOM		HOUSING, CAB CONTROL UNIT	1674-6
TO COUPLER (Z-BAR LINKAGE)	3163-4	HOUSING, CANOPY MONITOR	1810-10
HOSE, HYD, THIRD FUNCTION, HIGH LIFT		HOUSING, ENGINE OIL COOLER.....	0419-2
BOOM TO COUPLER (Z-BAR LINKAGE)	3163-4	HOUSING, FLYWHEEL.....	0433-2
HOSE, HYDRAULIC, AUXILARY HYDRAULICS		HOUSING, FRONT AXLE	0210-22
(FOR USE WITH TC).....	3160-76	HOUSING, FRONT AXLE DISCONNECT	0260-14
HOSE, HYDRAULIC, CONTROL VALVE TO		HOUSING, FRONT DIFFERENTIAL LOCK.....	0210-6
BOOM CYLINDER(FOR USE WITH TC).....	3160-74	HOUSING, FRONT STANDARD DIFFERENTIAL	0210-10
HOSE, HYDRAULIC, CONTROL VALVE TO		HOUSING, GEARBOX.....	0350-8
BUCKET CYLINDER (FOR USE WITH TC)	3160-74	HOUSING, HVAC	1830-4
HOSE, HYDRAULIC, CONTROL VALVE TO		HOUSING, HVAC.....	1830-8
BUCKET CYLINDER (POWERLLEL LINKAGE)	3160-68	HOUSING, MONITOR.....	1810-8
HOSE, HYDRAULIC, CONTROL VALVE TO BOOM		HOUSING, REAR AXLE	0210-24
CYLINDER (POWERLLEL LINKAGE)	3160-68	HOUSING, REAR DIFFERENTIAL LOCK	0210-8
HOSE, RADIATOR	0510-2	HOUSING, REAR STANDARD DIFFERENTIAL	0210-12
HOSE, RADIATOR	0510-3A	HOUSING, THERMOSTAT	0418-2
HOSE, VALVE COVER VENT	0408-1	HOUSING, TRANSMISSION.....	0350-8
HOSE,STEERING CYLINDER HYDRAULIC	0960-6	HOUSING, TORQUE CONVERTER.....	0350-4
HOSES AND FITTINGS, AXLE CIRCULATION	0260-10	HVAC HOUSING	1830-4
HOSES AND FITTINGS, AXLE COOLING	0260-10	HVAC HOUSING	1830-8
HOSES, DUAL JOYSTICK PILOT CONTROLLER	3160-94	HVAC MODULE COMPONENTS	1830-4
HOSES, ENVIRONMENTAL DRAIN.....	1369-2	HVAC RECIRCULATION FILTER	1830-4
HOSES, FUEL	0560-2	HVAC RECIRCULATION FILTER.....	1830-8
HOSES, HEATER	1830-16	HVAC WIRING	1674-11
HOSES, HYDRAULIC FAN DRIVE	0510-6	HYDRAULIC CYLINDER, ATTACHMENT COUPLER	
HOSES, HYDRAULIC PIN DISCONNECT AND AXLE		(POWERLLEL AND Z-BAR LINKAGE)	3104-14
DISONNECT VALVE (S.N. 595140-).....	3160-110	HYDRAULIC CYLINDER, ATTACHMENT COUPLER	
HOSES, HYDRAULIC, FOURTH FUNCTION		(POWERLLEL AND Z-BAR LINKAGE)	3104-16
(Z-BAR LINKAGE) (S.N. -595139)	3160-58	HYDRAULIC CYLINDER, ATTACHMENT HI-VIS	
HOSES, HYDRAULIC, FOURTH FUNCTION		COUPLER (POWERLLEL AND Z-BAR LINKAGE)	3104-18
(Z-BAR LINKAGE) (S.N. 595140-)	3160-60	HYDRAULIC CYLINDER, HI-VIS LINKAGE	
HOSES, HYDRAULIC, HI-VIS COUPLER	3163-2	ATTACHMENT COUPLER (POWERLLEL)	3104-10
HOSES, HYDRAULIC, PIN DISCONNECT		HYDRAULIC CYLINDER, HI-VIZ LINKAGE	
(FOR USE WITH POWERLLEL LINKAGE)	3160-124	ATTACHMENT COUPLER.....	3104-12
HOSES, HYDRAULIC, PIN DISCONNECT		HYDRAULIC DIFFERENTIAL, FRT. FOUR PINION	0210-14
(FOR USE WITH TOOL CARRIER)	3160-112	HYDRAULIC DIFFERENTIAL, REAR FOUR PINION	0210-16
HOSES, HYDRAULIC, PIN DISCONNECT		HYDRAULIC HOSE, AXLE BREATHER	0260-18
(Z-BAR LINKAGE) (S.N. -595139)	3160-114	HYDRAULIC HOSES, AXLE COOLER	
HOSES, HYDRAULIC, PIN DISCONNECT		(FACTORY INSTALLED AXLE COOLER)	0260-8
(Z-BAR LINKAGE) (S.N. 595140-)	3160-116	HYDRAULIC HOSES, AXLE COOLER	
HOSES, HYDRAULIC, RIDE CONTROL		(FIELD INSTALLED AXLE COOLER)	0260-12
(S.N. -595139)	3160-98	HYDRAULIC HOSES, FAN DRIVE	0510-6
HOSES, HYDRAULIC, RIDE CONTROL		HYDRAULIC HOSES, HI-VIS COUPLER	3163-2
(S.N. 595140-).....	3160-100		

ALPHABETICAL INDEX - CONTINUED

	PAGE		PAGE
HYDRAULIC HOSES, PIN DISCONNECT (BOOM TO COUPLER)(POWERLLEL LINKAGE)	3160-126	INTAKE MANIFOLD	0414-2
HYDRAULIC HOSES, PIN DISCONNECT (BOOM TO COUPLER)(Z-BAR LINKAGE)	3160-118	INTAKE VALVE	0409-2
HYDRAULIC HOSES, REVERSE FAN DRIVE	0510-8	INTAKE, ENGINE OIL PUMP	0407-6
HYDRAULIC HOSES, THIRD FUNCTION BOOM TO COUPLER (POWERLLEL LINKAGE)	3163-6	J	
HYDRAULIC HOSES, THIRD FUNCTION, HIGH LIFT BOOM TO COUPLER, (Z-BAR LINKAGE)	3163-4	JOYSTICK FNR CONVERSION KIT	3160-92
HYDRAULIC HOSES, PIN AND AXLE DISCONNECT VALVE (S.N. -595139)	3160-106	JOYSTICK FNR CONVERSION KIT	3160-93
HYDRAULIC LINES, MAIN	2160-12	JOYSTICK LABEL	3160-93
HYDRAULIC LINES, PARK BRAKE SOLENOID VALVE	1060-8	JOYSTICK PILOT CONTROLLER	3160-86
HYDRAULIC OIL COOLER	0510-2	JOYSTICK PILOT CONTROLLER	3160-88
HYDRAULIC OIL COOLER	0510-3A	JOYSTICK PILOT CONTROLLER WITH AUXILIARY	3160-90
HYDRAULIC OIL FILTER	2160-6	JOYSTICK TO TWO LEVER CONVERSION KIT	3160-78
HYDRAULIC OIL LEVEL GAUGE	2160-6	JOYSTICK WITH AUX. TO TWO LEVER WITH AUX. CONVERSION KIT	3160-82
HYDRAULIC OIL PRESSURE REGULATOR VALVE	2160-10	K	
HYDRAULIC OIL RESERVOIR	2160-6	KEY, IGNITION	1674-6
HYDRAULIC OIL RESERVOIR FILLER CAP	2160-6	KICKDOWN SWITCH, TWO LEVER PILOT CONTROLLER	3160-80
HYDRAULIC OIL TEMPERATURE SENSOR	2160-6	KICKOUT, LOADER BOOM	3166-4
HYDRAULIC PUMP, STEERING	2160-2	KICKOUT, LOADER BOOM (POWERLLEL LINKAGE)	3166-12
HYDRAULIC PUMP, FAN DRIVE	0510-6	KICKOUT, LOADER BOOM (TOOL CARRIER)	3166-8
HYDRAULIC PUMP, LOADER	2160-2	KIT, ADDITION OF AUXILIARY JOYSTICK TO JOYSTICK CONTROLLER	3160-94
HYDRAULIC PUMP, LOADER AND STEERING	2160-2	KIT, ADDITION OF AUXILIARY JOYSTICK TO TOOL CARRIER JOYSTICK CONTROLLER	3160-94
HYDRAULIC PUMP, REVERSE FAN DRIVE	0510-8	KIT, ADDITION OF AUXILIARY TO JOYSTICK CONTROLLER	3160-90
HYDRAULICS, BKT AND BM CYLS TO LOADER CONTROL VALVE (FOR USE WITH TC)	3160-74	KIT, ADDITION OF AUXILIARY TO TOOL CARRIER JOYSTICK CONTROLLER	3160-90
HYDRAULICS, BOOM CYLINDER (S.N. -595139) (FOR USE WITH Z-BAR LINKAGE)	3160-54	KIT, ADDITION OF AUXILIARY TO TOOL CARRIER TWO LEVER CONTROLLER	3160-82
HYDRAULICS, BOOM CYLINDER (S.N. 595140-) (FOR USE WITH Z-BAR LINKAGE)	3160-56	KIT, ADDITION OF AUXILIARY TO TWO LEVER CONTROLLER	3160-82
HYDRAULICS, BRAKE VALVE	1060-10	KIT, AIR PRECLEANER	0520-4
HYDRAULICS, BUCKET CYLINDER TO LOADER CONTROL VALVE (POWERLLEL LINKAGE)	3160-68	KIT, AUXILIARY JOYSTICK PILOT CONTROLLER REPAIR	3160-96
HYDRAULICS, FOURTH FUNCTION (Z-BAR LINKAGE) (S.N. -595139)	3160-58	KIT, AUXILIARY SINGLE LEVER CONTROLLER REPAIR	3160-84
HYDRAULICS, THIRD AND FOURTH FUNCTION AUX. HYDRAULICS (FOR USE WITH TC)	3160-76	KIT, AXLE BREATHER	0260-19
HYDRAULICS, THIRD FUNCTION (Z-BAR LINKAGE) (S.N. -595139)	3160-54	KIT, BOOM CYLINDER BORE (FOR USE WITH TC)	3165-10
HYDRAULICS, BUCKET CYLINDER (S.N. -595139) (FOR USE WITH Z-BAR LINKAGE)	3160-54	KIT, BOOM CYLINDER ROD SEAL	3165-4
HYDRAULICS, BUCKET CYLINDER (S.N. 595140-) (FOR USE WITH Z-BAR LINKAGE)	3160-56	KIT, BOOM CYLINDER ROD SEAL (FOR USE WITH POWERLLEL LINKAGE)	3165-16
I		KIT, BOOM CYLINDER ROD SEAL (FOR USE WITH TC)	3165-10
IGNITION SWITCH	1674-6	KIT, BOOM TO COUPLER, THIRD FUNCTION HYD HOSES (Z-BAR LINKAGE)	3163-4
INJECTION NOZZLE, FUEL	0413-2	KIT, BUCKET CYLINDER BORE	3165-4
INJECTION PUMP ACCESS COVER	0417-2	KIT, BUCKET CYLINDER BORE	3165-6
INLET SECTION VALVE WITH RELIEF VALVE LOADER CONTROL VALVE (S.N. -595139)	3160-20	KIT, BUCKET CYLINDER BORE (FOR USE WITH POWERLLEL LINKAGE)	3165-16
INLET SECTION VALVE WITH RELIEF VALVE LOADER CONTROL VALVE (S.N. 595140-)	3160-32	KIT, BUCKET CYLINDER BORE (FOR USE WITH POWERLLEL LINKAGE)	3165-18
INLET, WATER PUMP	0417-4	KIT, BUCKET CYLINDER ROD SEAL	3165-6
INPUT DRIVE YOKE	0350-4	KIT, BUCKET CYLINDER ROD SEAL (FOR USE WITH POWERLLEL LINKAGE)	3165-18
INPUT GEAR, TRANSMISSION	0350-6	KIT, CYLINDER LINER AND PISTON	0403-2
INPUT PINION SHAFT	0210-4	KIT, CYLINDER LINER O-RING	0403-2
INPUT SHAFT	0350-4	KIT, ENGINE OVERHAUL GASKET	0452-2
INPUT SHAFT, TRANSMISSION	0350-6	KIT, ENVIRONMENTAL DRAIN	1369-2
INPUT YOKE, FRONT	0210-2		
INPUT YOKE, REAR	0210-3		
INSERT, VALVE SEAT	0409-2		
INSIDE REAR VIEW MIRROR	1810-39A		

ALPHABETICAL INDEX - CONTINUED

	PAGE		PAGE
KIT, FITTING, QUICK-DISCONNECT (POWERLLEL LINKAGE).....	3160-70	LIGHT, FRONT (SN 603806-).....	1673-3A
KIT, FUEL FILTER SEAL	0420-2	LIGHT, LICENSE PLATE.....	1673-8
KIT, HI LIFT BOOM TO COUPLER, THIRD FUNCTION HYD HOSES (Z-BAR LINKAGE).....	3163-4	LIGHT, STOP	1673-6
KIT, JOYSTICK TO TWO LEVER CONVERSION	3160-78	LIGHT, TURN	1673-6
KIT, JOYSTICK WITH AUX. TO TWO LEVER WITH AUX. CONVERSION.....	3160-82	LIGHT, TURN AND MARKER (SN -603805).....	1673-2
KIT, OUTLET VALVE SECTION LOADER CONTROL VALVE (S.N. -595139).....	3160-46	LIGHT, TURN AND MARKER (SN 603806-).....	1673-3A
KIT, OUTLET VALVE SECTION LOADER CONTROL VALVE (S.N. 595140-).....	3160-48	LINE, AXLE DISCONNECT	0260-16
KIT, PARKING BRAKE BREATHER.....	0260-19	LINE, DIFFERENTIAL LOCK, FRONT.....	0260-2
KIT, PIN DISCONNECT (Z-BAR LINKAGE) (S.N. -595139)	3160-114	LINE, FUEL	0420-4
KIT, PIN DISCONNECT (Z-BAR LINKAGE) (S.N. 595140-).....	3160-116	LINE, HYDRAULIC, CONTROL VALVE TO BOOM CYLINDER (FOR USE WITH TC).....	3160-74
KIT, REAR PLATFORM.....	1927-4	LINE, HYDRAULIC, CONTROL VALVE TO BUCKET CYLINDER (FOR USE WITH TC)	3160-74
KIT, REVERSE FAN DRIVE.....	0510-8	LINER, CYLINDER	0403-2
KIT, STEERING VALVE SEAL	0960-4	LINES, DIFFERENTIAL LOCK, FRONT AND REAR.....	0260-4
KIT, TILT CYLINDER BORE (FOR USE WITH TC).....	3165-12	LINES, FOURTH FUNCTION HYDRAULIC (Z-BAR LINKAGE) (S.N. -595139)	3160-58
KIT, TILT CYLINDER ROD SEAL (FOR USE WITH TC).....	3165-12	LINES, HYDRAULIC, PIN DISCONNECT (BOOM TO COUPLER)(POWERLLEL LINKAGE)	3160-126
KIT, TWO LEVER TO JOYSTICK CONVERSION	3160-86	LINES, HYDRAULIC, PIN DISCONNECT (BOOM TO COUPLER)(Z-BAR LINKAGE)	3160-118
KIT, TWO LEVER WITH AUX. TO JOYSTICK WITH AUX. CONVERSION.....	3160-90	LINES, HYDRAULIC, PIN DISCONNECT (FOR USE WITH POWERLLEL LINKAGE).....	3160-124
KIT,STEERING CYLINDER REPAIR	0960-10	LINES, HYDRAULIC, PIN DISCONNECT (FOR USE WITH TOOL CARRIER)	3160-112
KITS, HI-VIS COUPLER HYDRAULIC HOSES.....	3163-2	LINES, HYDRAULIC, PIN DISCONNECT (Z-BAR LINKAGE) (S.N. -595139)	3160-114
KITS, REAR AXLE CENTER SERVICE.....	0210-30	LINES, HYDRAULIC, PIN DISCONNECT (Z-BAR LINKAGE) (S.N. 595140-)	3160-116
KITS, SERVICE, AXLE CENTER, REAR.....	0210-30	LINES, HYDRAULIC, RIDE CONTROL (S.N. -595139)	3160-98
L			
LABEL AND DECALS (CANOPY)	1322-10	LINES, HYDRAULIC, RIDE CONTROL (S.N. 595140-)	3160-100
LABELS AND DECALS (FRENCH).....	1322-6	LINES, JOYSTICK PILOT CONTROLLER.....	3160-86
LABELS AND DECALS (SPANISH).....	1322-8	LINES, JOYSTICK PILOT CONTROLLER WITH AUXILARY	3160-90
LABELS AND DECALS, CAB	1322-4	LINES, MAIN HYDRAULIC	2160-12
LABELS AND TRADEMARKS (ENGLISH).....	1322-2	LINES, THIRD FUNCTION HYDRAULIC (Z-BAR LINKAGE) (S.N. -595139)	3160-54
LAMP, HI-BEAM, DRIVE (SN -603805).....	1673-2	LINES, TRANSMISSION EXTERNAL OIL.....	0360-4
LAMP, HI-BEAM, DRIVE (SN 603806-).....	1673-3A	LINES, TURBOCHARGER OIL.....	0416-1
LAMP, LICENSE PLATE.....	1673-8	LINES, TWO LEVER PILOT CONTROLLER WITH AUXILARY	3160-82
LAMP, STOP	1673-6	LINKAGE COUPLER COUNTERWEIGHT (NEW VERSION).....	1520-4
LAMP, TAIL.....	1673-6	LINKAGE COUPLER COUNTERWEIGHT (OLD VERSION).....	1520-2
LAMP, TURN.....	1673-6	LINKAGE COUPLER, HI-VIS (POWERLLEL)	3104-10
LATCH, BATTERY COVERS DOOR.....	1913-4	LINKAGE COUPLER, POWERLLEL LINKAGE	3104-8
LATCH, DOOR.....	1810-6	LINKAGE, BUCKET	3140-16
LATCH, ENGINE SIDE SHIELD	1910-4	LINKAGE, BUCKET (POWERLLEL LINKAGE).....	3140-20
LATCH, HOOD.....	1910-2	LINKAGE, HIGH LIFT LOADER BOOM.....	3140-16
LATCH, REAR FULL COVERAGE FENDER	1927-9A	LINKAGE, LOADER BOOM	3140-16
LATCH,CAB DOOR HOLD-OPEN	1810-2	LINKAGE, POWERLLEL.....	3140-20
LEFT SIDE CONSOLE COVER (CAB).....	1810-42	LINKAGE, STEERING COLUMN.....	1810-48
LICENSE PLATE BRACKET AND LIGHT.....	1673-8	LINKAGE, TOOL CARRIER BOOM.....	3140-18
LICENSE PLATE LAMP.....	1673-8	LINKAGE, Z-BAR, HI-VIS COUPLER	3104-12
LICENSE PLATE LIGHT	1673-8	LINKAGE,ENGINE SPEED CONTROL	0515-2
LICENSE PLATE LIGHT (FOR USE WITH POWERLLEL LINKAGE)	1674-4	LOAD CENTER COMPARTMENT.....	1674-6
LICENSE PLATE LIGHT (SN -603805).....	1674-2	LOAD CENTER WIRING HARNESS	1674-6
LICENSE PLATE LIGHT (SN 603806-)	1674-3A	LOAD SENSE RELIEF VALVE LOADER CONTROL VALVE (S.N. -595139).....	3160-46
LIFT HOOKS.....	1330-2		
LIFT STRAPS, ENGINE.....	0404-5		
LIGHT, FRONT (SN -603805).....	1673-2		

ALPHABETICAL INDEX - CONTINUED

	<i>PAGE</i>		<i>PAGE</i>
LOADER ATTACHMENT COUPLER (Z-BAR LINKAGE).....	3104-6	LOADER FRAME (POWERLLEL LINKAGE).....	3140-6
LOADER ATTACHMENT COUPLER BUCKET.....	3102-4	LOADER FRAME (Z-BAR LINKAGE).....	3140-2
LOADER BOOM.....	3140-8	LOADER FRAME BOOM CYLINDER PIN (POWERLLEL LINKAGE).....	3140-6
LOADER BOOM BUSHING.....	3140-8	LOADER FRAME BOOM CYLINDER PIN (Z-BAR LINKAGE).....	3140-2
LOADER BOOM KICKOUT SENSOR.....	3166-4	LOADER FRAME BUCKET CYLINDER PIN (POWERLLEL LINKAGE).....	3140-6
LOADER BOOM KICKOUT SENSOR (POWERLLEL LINKAGE).....	3166-12	LOADER FRAME BUCKET CYLINDER PIN (Z-BAR LINKAGE).....	3140-2
LOADER BOOM KICKOUT SENSOR (TOOL CARRIER).....	3166-8	LOADER FRAME WIRING HARNESS (FOR USE WITH POWERLLEL LINKAGE).....	1674-4
LOADER BOOM KICKOUT/RETURN TO CARRY.....	3166-4	LOADER FRAME WIRING HARNESS (SN -603805).....	1674-2
LOADER BOOM KICKOUT/RETURN TO CARRY (POWERLLEL LINKAGE).....	3166-12	LOADER FRAME WIRING HARNESS(SN 603806-).....	1674-3A
LOADER BOOM KICKOUT/RETURN TO CARRY (TOOL CARRIER).....	3166-8	LOADER LINKAGE.....	3140-16
LOADER BOOM LINKAGE.....	3140-16	LOADER LINKAGE (POWERLLEL LINKAGE).....	3140-20
LOADER BOOM LINKAGE (POWERLLEL LINKAGE).....	3140-20	LOADER SHANKS.....	3102-8
LOADER BOOM LINKAGE, HIGH LIFT.....	3140-16	LOCK BAR, FRAME.....	1913-2
LOADER BOOM PIN.....	3140-8	LOCK MECHANISM, GUARD FORK.....	3103-6
LOADER BOOM POWERLLEL LINKAGE.....	3140-20	LOCK MECHANISM, PALLET FORK (HI-VIS).....	3103-4
LOADER BUCKET (ATTACHMENT COUPLER).....	3102-4	LOCK, BOOM CYLINDER.....	3140-24
LOADER BUCKET (HI-VIS COUPLER).....	3102-6	LOGGER RIM ASSEMBLY (ONE PIECE) (28 X 26).....	0110-6
LOADER BUCKET CUTTING EDGE.....	3102-2	LOUVERS, HEATING AND A/C.....	1810-8
LOADER BUCKET CUTTING EDGE.....	3102-10	LOUVERS, VENTILATION.....	1810-8
LOADER BUCKET GUARD.....	3102-2	LOWER STEERING COLUMN.....	1810-50
LOADER BUCKET PINS.....	3102-2	LUBRICATION LINES, DIFFERENTIAL SUPPORTS.....	0242-2
LOADER BUCKET TEETH.....	3102-8		
LOADER BUCKET, WASTE HANDLER.....	3102-12	M	
LOADER BUCKETS.....	3102-2	MAIN BEARING CAP.....	0404-2
LOADER CONTROL VALVE (FIFTH FUNCTION) (SER. NO. - XXXXXX).....	3160-50	MAIN BEARINGS.....	0401-1
LOADER CONTROL VALVE (FIFTH FUNCTION) (SER. NO. XXXXXX -).....	3160-52	MAIN COUNTERWEIGHT.....	1749-2
LOADER CONTROL VALVE (2-SPOOL) (S.N. -595139).....	3160-2	MAIN HYDRAULIC LINES.....	2160-12
LOADER CONTROL VALVE (2-SPOOL) (S.N. 595140-).....	3160-4	MAIN WIRING HARNESS (FOR USE WITH POWERLLEL LINKAGE).....	1674-4
LOADER CONTROL VALVE (2-SPOOL) TOOL CARRIER.....	3160-6	MAIN WIRING HARNESS (SN -603805).....	1674-2
LOADER CONTROL VALVE (3-SPOOL) (S.N. -595139).....	3160-8	MAIN WIRING HARNESS (SN 603806-).....	1674-3A
LOADER CONTROL VALVE (3-SPOOL) (S.N. 595140-).....	3160-10	MANIFOLD, COOLANT.....	0418-2
LOADER CONTROL VALVE (3-SPOOL) TOOL CARRIER.....	3160-12	MANIFOLD, EXHAUST.....	0410-2
LOADER CONTROL VALVE (4-SPOOL) (S.N. -595139).....	3160-14	MANIFOLD, INTAKE.....	0414-2
LOADER CONTROL VALVE (4-SPOOL) (S.N. 595140-).....	3160-16	MANIFOLD, TRANSMISSION CONTROL VALVE.....	0350-16
LOADER CONTROL VALVE STUD ASSEMBLY (2-SPOOL) (S.N. 595140-).....	3160-4	MAT, ANTI-SKID, COUNTERWEIGHT.....	1749-2
LOADER CONTROL VALVE STUD ASSEMBLY (3-SPOOL) (S.N. 595425-).....	3160-10	MIRROR, OUTSIDE.....	1810-38
LOADER CONTROL VALVE STUD ASSEMBLY (4-SPOOL) (S.N. 595140-).....	3160-16	MIRROR, REAR VIEW, INSIDE.....	1810-39A
LOADER CONTROL VALVE TIE BOLTS (2-SPOOL) (S.N. 595140-).....	3160-4	MODULE, HVAC.....	1830-4
LOADER CONTROL VALVE TIE BOLTS (3-SPOOL) (S.N. 595425-).....	3160-10	MODULE, HVAC.....	1830-8
LOADER CONTROL VALVE TIE BOLTS (4-SPOOL) (S.N. 595140-).....	3160-16	MONITOR CONSULE, CAB.....	1810-8
LOADER CONTROL VALVE TO BKT AND BM CYLS HYDRAULICS(FOR USE WITH TC).....	3160-74	MONITOR CONS0LE, CANOPY.....	1810-10
LOADER CONTROL VALVE TO BUCKET CYLINDER HYDRAULICS(POWERLLEL LINKAGE).....	3160-68	MONITOR HOUSING.....	1810-8
		MONITOR HOUSING, CANOPY.....	1810-10
		MONITOR, CAB.....	1674-10
		MOTOR AND SWITCH, HEATER.....	1830-8
		MOTOR AND SWITCH, HEATER AND A/C BLOWER.....	1830-4
		MOTOR, REVERSE FAN DRIVE.....	0510-8
		MOTOR, STARTING.....	0422-2
		MOTOR, WINDSHIELD WIPER (FRONT).....	1810-26
		MOTOR, WINDSHIELD WIPER (REAR).....	1810-28
		MOTOR,FAN DRIVE.....	0510-6
		MOUNTING BRACKETS, ALTERNATOR (55 AMP).....	1672-2
		MOUNTING BRACKETS, ALTERNATOR (80 AMP).....	1672-6

ALPHABETICAL INDEX - CONTINUED

	PAGE		PAGE
MOUNTING BRACKETS, ENGINE	0540-2	OUTSIDE MIRROR.....	1810-38
MOUNTING BRACKETS, HARSH ENVIRONMENT ALT ERNATOR (100 AMP)	1672-10	OUTSIDE REAR VIEW MIRROR.....	1810-38
MOUNTING BRACKETS, TRANSMISSION.....	0342-2	OVERHAUL KIT, ENGINE.....	0404-6
MOUNTING CAPSCREWS, FRONT AXLE (TOOL CARRIER).....	3140-4		
MOUNTING, FRONT AXLE (POWERLLEL LINKAGE).....	3140-6	P	
MOUNTING, FRONT AXLE (Z-BAR LINKAGE).....	3140-2	PALLET FORK ASSEMBLY	3103-2
MOUNTS, CAB (FRONT AND REAR).....	1810-22	PALLET FORK FRAME.....	3103-2
MUFFLER	0530-2	PALLET FORKS.....	3103-2
MUFFLER BRACKET	0530-2	PALLET FORKS (HI-VIS).....	3103-4
		PAN, ENGINE OIL.....	0407-4
N		PARK BRAKE SOLENOID VALVE	1060-4
NOZZLE, FUEL INJECTION.....	0413-2	PARK BRAKE SOLENOID VALVE HYDRAULIC LINES	1060-8
		PARKING BRAKE BREATHER EXTENSION KIT.....	0260-19
O		PARKING BRAKE SWITCH	1674-8
O'RINGS, HI-VIS COUPLER HYDRAULIC HOSES.....	3163-2	PARKING BRAKE SWITCH	1674-9
OIL COOLER, AXLE (FACTORY INSTALLED AXLE COOLER)	0260-8	PARKING BRAKE/DRIVELINE BEARING	1060-12
OIL COOLER, AXLE (FIELD INSTALLED AXLE COOLER)	0260-12	PEDAL, BRAKE	1060-2
OIL COOLER, HYDRAULIC	0510-2	PEDAL, ENGINE SPEED CONTROL	0515-2
OIL COOLER, HYDRAULIC	0510-3A	PEDESTAL, CAB	1810-12
OIL COOLER, TRANSMISSION.....	0510-2	PEDESTAL, CANOPY.....	1810-12
OIL COOLER, TRANSMISSION.....	0510-3A	PEDESTAL, OPERATOR STATION FRONT	1810-12
OIL DIPSTICK, ENGINE	0407-7	PILOT CONTROLLER HANDLE.....	3160-88
OIL FILL, TRANSMISSION.....	0360-2	PILOT CONTROLLER WITH AUXILIARY, JOYSTICK	3160-90
OIL FILLER, ENGINE	0407-2	PILOT CONTROLLER, DUAL JOYSTICK.....	3160-94
OIL FILTER & BASE, ENGINE	0407-8	PILOT CONTROLLER, JOYSTICK	3160-86
OIL FILTER BYPASS VALVE	0407-8	PILOT CONTROLLER, TWO LEVER	3160-78
OIL FILTER ELEMENT, TRANSMISSION	0350-2	PILOT CONTROLLER, TWO LEVER WITH AUXILIARY	3160-82
OIL FILTER HEAD, TRANSMISSION	0350-2	PILOT LINES, JOYSTICK PILOT CONTROLLER.....	3160-86
OIL FILTER RESTRICTION INDICATOR SWITCH, TRANSMISSION	0350-16	PILOT LINES, JOYSTICK PILOT CONTROLLER WITH AUXILIARY	3160-90
OIL FILTER, TRANSMISSION.....	0350-2	PILOT LINES, TWO LEVER PILOT CONTROLLER	3160-78
OIL LINES, TRANSMISSION EXTERNAL.....	0360-4	PILOT LINES, TWO LEVER PILOT CONTROLLER WITH AUXILIARY	3160-82
OIL LINES, TRANSMISSION INTERNAL.....	0350-14	PIN AND AXLE DISCONNECT VALVE AND HYDRAULIC HOSES (S.N. -595139).....	3160-106
OIL LINES, TRANSMISSION THERMAL BYPASS VALVE	0360-4	PIN AND AXLE DISCONNECT VALVE AND HYDRAULIC HOSES (S.N. 595140-).....	3160-110
OIL PAN, ENGINE	0407-4	PIN AND AXLE DISCONNECT VALVE COMPONENTS.....	3160-103
OIL PRESSURE REGULATING VALVE, ENGINE.....	0404-2	PIN DISCONNECT HARNESS	1674-15
OIL PRESSURE SENSOR	1674-14	PIN DISCONNECT HYDRAULIC HOSES (BOOM TO COUPLER)(POWERLLEL LINKAGE)	3160-126
OIL PUMP, ENGINE.....	0407-6	PIN DISCONNECT HYDRAULIC HOSES (BOOM TO COUPLER)(Z-BAR LINKAGE)	3160-118
OPERATOR ACCESS PLATFORM.....	1822-2	PIN DISCONNECT HYDRAULIC LINES (FOR USE WITH POWERLLEL LINKAGE).....	3160-124
OPERATOR ACCESS PLATFORM STEPS.....	1822-2	PIN DISCONNECT HYDRAULIC LINES (FOR USE WITH TOOL CARRIER)	3160-112
OPERATOR STATION FRONT PEDESTAL	1810-12	PIN DISCONNECT HYDRAULIC LINES (Z-BAR LINKAGE) (S.N. -595139)	3160-114
ORIFICE, PISTON COOLING.....	0404-2	PIN DISCONNECT HYDRAULIC LINES (Z-BAR LINKAGE) (S.N. 595140-)	3160-116
OSCILLATING DIFFERENTIAL SUPPORT	0242-2	PIN DISCONNECT KIT (FOR USE WITH POWERLLEL LINKAGE).....	3160-124
OUTLET SECTION LOADER CONTROL VALVE (S.N. -595139).....	3160-46	PIN DISCONNECT VALVE COMPONENTS.....	3160-103
OUTLET SECTION LOADER CONTROL VALVE (S.N. 595140-).....	3160-48	PIN, BOOM CYLINDER, LOADER FRAME (TOOL CARRIER)	3140-4
OUTLET SECTION COMPONENTS LOADER CONTROL VALVE (S.N. -595139).....	3160-46	PIN, BOOM PIVOT (POWERLLEL LINKAGE).....	3140-6
OUTLET SECTION COMPONENTS LOADER CONTROL VALVE (S.N. 595140-).....	3160-48	PIN, BOOM PIVOT (Z-BAR LINKAGE).....	3140-2
OUTLET SECTION SEAL KIT LOADER CONTROL VALVE (S.N. -595139).....	3160-46	PIN, BOOM PIVOT (TOOL CARRIER)	3140-4
OUTLET SECTION SEAL KIT LOADER CONTROL VALVE (S.N. 595140-).....	3160-48	PIN, HI-VIS LINKAGE ATTACHMENT COUPLER (POWERLLEL)	3104-10
OUTPUT SHAFT, TRANSMISSION.....	0350-20		

ALPHABETICAL INDEX - CONTINUED

	PAGE		PAGE
PIN, HITCH (NEW VERSION)	1520-4	PLATE, TWO LEVER PILOT CONTROLLER	
PIN, HITCH (OLD VERSION)	1520-2	WITH AUXILIARY	3160-82
PIN, LOADER BOOM	3140-8	PLATE, ENGINE FRONT	0401-2
PIN, LOADER FRAME BOOM CYLINDER		PLATFORM, OPERATOR ACCESS	1822-2
(POWERLLEL LINKAGE)	3140-6	PLATFORM, REAR	1927-4
PIN, LOADER FRAME BOOM CYLINDER		PLENUM, ENGINE AIR	1910-4
(Z-BAR LINKAGE)	3140-2	PLUG, AIR HEATER	0414-2
PIN, LOADER FRAME BUCKET CYLINDER		PLUG, TRANSMISSION DRAIN	0350-8
(POWERLLEL LINKAGE)	3140-6	PLUMBING, AXLE COOLING	0260-10
PIN, LOADER FRAME BUCKET CYLINDER		PLUMBING, AXLE DISCONNECT	0260-16
(Z-BAR LINKAGE)	3140-2	POWER PLUG AND CONVERTER (10 AMP)	
PIN, STEERING CYLINDER		(24 VOLT TO 12 VOLT)	1674-13
(Z-BAR LINKAGE)	3140-2	POWER PLUG AND CONVERTER (5 AMP)	
PIN, STEERING CYLINDER (TOOL CARRIER)	3140-4	(24 VOLT TO 12 VOLT)	1674-12
PIN, TOOL CARRIER FRAME PIVOT	3140-4	POWER TAKE-OFF	0350-24
PIN, Z-BAR LINKAGE ATTACHMENT COUPLER,		POWER TAKE-OFF SHAFT	0350-24
HI-VIS	3104-12	POWERLLEL LINKAGE	3140-20
PIN, ENGINE FRAME	1740-2	POWERLLEL LINKAGE BOOM	3140-12
PIN, STEERING CYLINDER		POWERLLEL LINKAGE BOOM CYLINDER PINS AND	
(POWERLLEL LINKAGE)	3140-6	FITTINGS	3165-14
PINION CARRIER, FRONT PLANET	0210-26	POWERLLEL LINKAGE CONVERSION BUCKET	
PINION CARRIER, REAR PLANET	0210-28	PIVOT PLATE	3104-20
PINION SHAFT	0210-4	POWERLLEL LINKAGE COUPLER	3104-8
PINS, BOOM CYLINDER	3165-2	POWERLLEL LINKAGE CYLINDER PINS AND	
PINS, BUCKET CYLINDER	3165-2	FITTINGS	3165-14
PINS, LOADER BUCKET	3102-2	PRECLEANER, AIR	0520-4
PINS, POWERLLEL LINKAGE BOOM CYLINDER	3165-14	PRESSURE REDUCING VALVE, COMPONENTS	2160-10
PINS, POWERLLEL LINKAGE TILT CYLINDER	3165-14	PRESSURE REGULATOR VALVE FITTINGS	2160-8
PINS, TOOL CARRIER BOOM CYLINDER	3165-8	PRESSURE REGULATOR VALVE, HYDRAULIC OIL	2160-10
PINS, TOOL CARRIER TILT CYLINDER	3165-8	PRIMARY FUEL FILTER	0420-2
PIPE, EXHAUST	0530-2	PRV FITTINGS	2160-8
PISTON COOLING ORIFICE	0404-2	PRV VALVE COMPONENTS	2160-10
PISTON RINGS	0403-2	PULLEY AND CLUTCH KIT, A/C	1830-12
PISTON, ENGINE	0403-2	PULLEY, TENSIONER	0429-1
PIVOT PIN, BOOM		PULLEY, TORSIONAL DAMPER	0429-2
(POWERLLEL LINKAGE)	3140-6	PULLEY, WATER PUMP	0417-4
PIVOT PIN, BOOM		PUMP AND MOTOR CIRCULATION, AXLE OIL	0260-6
(Z-BAR LINKAGE)	3140-2	PUMP, ENGINE OIL	0407-6
PIVOT PIN, BOOM (TOOL CARRIER)	3140-4	PUMP, FUEL INJECTION	0413-2
PIVOT PIN, LOADER FRAME		PUMP, FUEL TRANSFER	0421-2
(POWERLLEL LINKAGE)	3140-6	PUMP, HYDRAULIC, FAN DRIVE	0510-6
PIVOT PIN, LOADER FRAME		PUMP, HYDRAULIC, LOADER	2160-2
(Z-BAR LINKAGE)	3140-2	PUMP, HYDRAULIC, STEERING	2160-2
PIVOT PIN, TOOL CARRIER FRAME	3140-4	PUMP, TRANSMISSION	0350-12
PIVOT PLATE, HI-VIS LINKAGE		PUMP, WATER	0417-2
BUCKET CONVERSION	3104-22	PUMP, WINDOW WASHER	1810-24
PIVOT PLATE, POWERLLEL LINKAGE		PUMP, SECONDARY STEERING	0930-2
BUCKET CONVERSION	3104-20	PUMP, SECONDARY STEERING	0930-4
PLANET PINION GEAR, FRONT	0210-26	PUSH PIN ASSEMBLY	3160-88
PLANET PINION GEAR, REAR	0210-28	PUSH ROD	0402-2
PLANETARY FINAL DRIVE, FRONT	0210-26	PUSH ROD, FUEL TRANSFER PUMP	0421-2
PLANETARY FINAL DRIVE, REAR	0210-28		
PLANETARY PINION CARRIER, FRONT	0210-26	Q	
PLANETARY PINION CARRIER, REAR	0210-28	QUICK-DISCONNECT FITTING KIT	
PLASTIC HANDLE, REAR	1910-6	(POWERLLEL LINKAGE)	3160-70
PLATE, CONVERSION BUCKET PIVOT			
(HI-VIS LINKAGE)	3104-22	R	
PLATE, CONVERSION BUCKET PIVOT		RADIATOR	0510-2
(POWERLLEL LINKAGE)	3104-20	RADIATOR	0510-3A
PLATE, DUAL JOYSTICK PILOT CONTROLLER	3160-94	RADIATOR CAP	0510-2
PLATE, ENGINE FRONT	0404-4	RADIATOR CAP	0510-3A
PLATE, ENGINE SIDE SHIELD	1910-4	RADIATOR HOSE	0510-2
PLATE, JOYSTICK PILOT CONTROLLER	3160-86	RADIATOR HOSE	0510-3A
PLATE, JOYSTICK PILOT CONTROLLER WITH			
AUXILIARY	3160-90		
PLATE, TWO LEVER PILOT CONTROLLER	3160-78		

ALPHABETICAL INDEX - CONTINUED

	PAGE		PAGE
RADIO (SER. NO. -590067)	2001-6	RELIEF VALVE, VALVE INLET SECTION	
RADIO (SER.NO. 590068-600740)	2001-7A	LOADER CONTROL VALVE (S.N. 595140-)	3160-32
RADIO (SERIAL NO.600741-)	2001-7C	REMANUFACTURED ENGINE BLOCK	0450-2
RADIO ANTENNA (SER. NO. -590067)	2001-6	RESERVOIR, HYDRAULIC OIL	2160-6
RADIO ANTENNA (SER.NO. 590068-600740)	2001-7A	REST, RIGHT ARM	1821-6
RADIO ANTENNA (SERIAL NO.600741-)	2001-7C	RESTRICTION INDICATOR SENSOR, AIR FILTER	0520-2
RADIO REMOTE CONTROL		RESTRICTION INDICATOR SWITCH,	
(SER. NO. -590067)	2001-6	TRANSMISSION OIL FILTER	0350-16
RADIO REMOTE CONTROL		RESTRICTION SWITCH, HYDRAULIC RETURN	2160-6
(SER.NO. 590068-600740)	2001-7A	RETAINERS, REAR WINDOW	1810-16
RADIO REMOTE CONTROL		RETURN TO CARRY SENSOR	3166-4
(SERIAL NO.600741-)	2001-7C	RETURN TO CARRY SENSOR (TOOL CARRIER)	3166-8
RADIO SPEAKER		RETURN TO CARRY SENSOR, LOADER	
(SER. NO. -590067)	2001-6	(POWERLLEL LINKAGE)	3166-12
RADIO SPEAKER		RETURN TO DIG HARNESS	1674-16
(SERIAL NO.600741-)	2001-7C	RETURN-TO-DIG ACTUATOR	3166-2
RADIO SPEAKER (SER.NO. 590068-600740)	2001-7A	RETURN-TO-DIG ACTUATOR (FOR USE WITH POW	
RAIL, DRIP	1810-17A	ERLLEL LINKAGE)	3166-10
RAIL, FUEL INJECTION PUMP	0413-2	RETURN-TO-DIG ACTUATOR (TOOL CARRIER)	3166-6
REAR AXLE	0210-1	RETURN-TO-DIG SENSOR	3166-2
REAR AXLE CENTER SERVICE KITS	0210-30	RETURN-TO-DIG SENSOR (FOR USE WITH POWER	
REAR COVER, ALTERNATOR (55 AMP)	1672-4	LLEL LINKAGE)	3166-10
REAR COVER, ALTERNATOR (80 AMP)	1672-8	RETURN-TO-DIG SENSOR (TOOL CARRIER)	3166-6
REAR DIFFERENTIAL LOCK CASE	0210-8	REVERSE CLUTCH ASSEMBLY	0350-28
REAR DIFFERENTIAL LOCK HOUSING	0210-8	REVERSE FAN DRIVE HYDRAULIC HOSES	0510-8
REAR DIFFERENTIAL LOCK LINE	0260-4	REVERSE FAN DRIVE KIT	0510-8
REAR DUAL BRAKE ASSEMBLY	1011-3	REVERSE FAN DRIVE RELIEF VALVE	0510-10
REAR FENDERS	1927-4	REVERSE FAN DRIVE SOLENOID VALVE	0510-10
REAR FENDERS		RIDE CONTROL AND HYDRAULIC HOSES	
FULL COVERAGE	1927-8	(S.N. -595139)	3160-98
REAR FENDERS (W/LATCH)		RIDE CONTROL AND HYDRAULIC HOSES	
FULL COVERAGE	1927-9A	(S.N. 595140-)	3160-100
REAR FOUR PINION HYDRAULIC DIFFERENTIAL	0210-16	RIDE CONTROL SOLENOID VALVE	3160-102
REAR FRAME WIRING HARNESS		RIDE CONTROL VALVE	3160-102
(FOR USE WITH POWERLLEL LINKAGE)	1674-4	RIM, WHEEL (FIVE PIECE RIM)	
REAR FRAME WIRING HARNESS		(25 X 19.5)	0110-4
(SN -603805)	1674-2	RIM, WHEEL (THREE PIECE RIM)	
REAR FRAME WIRING HARNESS		(25 X 17)	0110-2
(SN 603806-)	1674-3A	RIM, WHEEL, LOGGER (ONE PIECE)	
REAR HYDRAULIC ACTUATED DIFFERENTIAL	0210-16	(28 X 26)	0110-6
REAR INPUT YOKE	0210-3	RING GEAR	0210-4
REAR PLASTIC HANDLE	1910-6	RING, WHEEL, POWERLLEL LINKAGE	0110-6
REAR PLATFORM	1927-4	RINGS, PISTON	0403-2
REAR SEAL, ENGINE	0433-2	ROCK GUARD, CYLINDER-FITTING	1746-6
REAR STANDARD DIFFERENTIAL	0210-20	ROCKER ARM, SHAFT, TAPPET AND PUSH ROD	0402-2
REAR STANDARD DIFFERENTIAL CASE	0210-12	ROD SEAL KIT, BOOM CYLINDER	3165-4
REAR STANDARD DIFFERENTIAL HOUSING	0210-12	ROD SEAL KIT, BOOM CYLINDER	
REAR STEP	1822-6	(FOR USE WITH POWERLLEL LINKAGE)	3165-16
REAR VIEW MIRROR (OUTSIDE)	1810-38	ROD SEAL KIT, BOOM CYLINDER	
REAR WINDOW RETAINERS	1810-16	(FOR USE WITH TC)	3165-10
REAR WINDOW, CANOPY	1810-16	ROD SEAL KIT, BUCKET CYLINDER	3165-6
REAR WINDSHIELD WIPER	1810-28	ROD SEAL KIT, BUCKET CYLINDER	
RECIEVER-DRIER	1830-14	(FOR USE WITH POWERLLEL LINKAGE)	3165-18
RECIRCULATION FILTER, HVAC	1830-4	ROD SEAL KIT, COUPLER CYLINDER	
RECIRCULATION FILTER, HVAC	1830-8	(POWERLLEL AND Z-BAR LINKAGE)	3104-14
REDUCING VALVE, COMPONENTS	2160-10	ROD SEAL KIT, COUPLER CYLINDER	
REFRIGERANT HOSE	1830-14	(POWERLLEL AND Z-BAR LINKAGE)	3104-16
REGULATING VALVE	3160-88	ROD SEAL KIT, HI-VIS COUPLER CYLINDER	
REGULATOR, VOLTAGE (55 AMP)	1672-2	(POWERLLEL AND Z-BAR LINKAGE)	3104-18
REGULATOR, VOLTAGE (80 AMP)	1672-6	ROD SEAL KIT, TILT CYLINDER	
RELAYS, VEC	1674-18	(FOR USE WITH TC)	3165-12
RELIEF VALVE, LOAD SENSE		ROD, BOOM CYLINDER	3165-4
LOADER CONTROL VALVE (S.N. -595139)	3160-46	ROD, BOOM CYLINDER	
RELIEF VALVE, REVERSE FAN DRIVE	0510-10	(FOR USE WITH POWERLLEL LINKAGE)	3165-16
RELIEF VALVE, VALVE INLET SECTION		ROD, BOOM CYLINDER	
LOADER CONTROL VALVE (S.N. -595139)	3160-20	(FOR USE WITH TC)	3165-10
		ROD, BUCKET CYLINDER	3165-6

ALPHABETICAL INDEX - CONTINUED

	PAGE		PAGE
ROD, BUCKET CYLINDER (FOR USE WITH POWERLLEL LINKAGE)	3165-18	SECTION, VALVE, FIFTH FUNCTION (SER. NO. XXXXXX -)	3160-52
ROD, CONNECTING	0403-2	SECTION, VALVE, INLET, WITH RELIEF VALVE LOADER CONTROL VALVE (S.N. -595139)	3160-20
ROD, PUSH, FUEL TRANSFER PUMP	0421-2	SECTION, VALVE, INLET, WITH RELIEF VALVE LOADER CONTROL VALVE (S.N. 595140-)	3160-32
ROD, TILT CYLINDER (FOR USE WITH TC)	3165-12	SEDIMENT BOWL, FUEL FILTER	0420-2
ROOF PLASTIC	1810-34	SENDER, FUEL TANK	0560-2
ROPS	1810-2	SENSOR, AIR FILTER RESTRICTION INDICATOR	0520-2
ROPS, CANOPY	1810-16	SENSOR, COOLANT TEMPERATURE	0418-2
		SENSOR, ENGINE COOLANT TEMPERATURE	1674-14
		SENSOR, ENGINE OIL PRESSURE	1674-14
		SENSOR, FUEL INJECTION PUMP	0413-2
		SENSOR, LOADER BOOM KICKOUT	3166-4
		SENSOR, LOADER BOOM KICKOUT (POWERLLEL LINKAGE)	3166-12
		SENSOR, LOADER BOOM KICKOUT (TOOL CARRIER)	3166-8
		SENSOR, RETURN TO CARRY	3166-4
		SENSOR, RETURN TO CARRY (TOOL CARRIER)	3166-8
		SENSOR, RETURN TO CARRY, LOADER (POWERLLEL LINKAGE)	3166-12
		SENSOR, RETURN-TO-DIG	3166-2
		SENSOR, RETURN-TO-DIG (FOR USE WITH POWE RLEL LINKAGE)	3166-10
		SENSOR, RETURN-TO-DIG (TOOL CARRIER)	3166-6
		SENSOR, TRANSMISSION SPEED	0350-10
		SENSOR, TRANSMISSION TEMPERATURE	0350-18
		SENSOR, ENGINE SPEED CONTROL	0515-2
		SENSOR, HYDRAULIC OIL TEMPERATURE	2160-6
		SEPARATOR, WATER	0420-2
		SERVICE DOOR, ABSORBER	1913-6
		SERVICE DOOR, ENGINE	1910-4
		SERVICE KITS, REAR CENTER AXLE	0210-30
		SHAFT AND SPIRAL BEVEL GEAR, FRONT	0210-4
		SHAFT AND SPIRAL BEVEL GEAR, REAR 1200 S ERIES	0210-5
		SHAFT AXLE DIFFERENTIALS	0325-2
		SHAFT, CRANKSHAFT IDLER GEAR	0401-2
		SHAFT, ENGINE DRIVE	0325-2
		SHAFT, FRONT AXLE	0210-22
		SHAFT, FRONT FINAL DRIVE	0210-26
		SHAFT, PINION	0210-4
		SHAFT, REAR AXLE	0210-24
		SHAFT, REAR FINAL DRIVE	0210-28
		SHAFT, ROCKER ARM	0402-2
		SHAFT, TRANSMISSION DRIVE	0325-2
		SHAFT, TRANSMISSION INPUT	0350-6
		SHAFT, POWER TAKE-OFF	0350-24
		SHAFT, TORQUE CONVERTER	0350-4
		SHAFT, TRANSMISSION OUTPUT	0350-20
		SHANKS, LOADER	3102-8
		SHEILD, FAN	0510-4
		SHIELDS, CAB	1810-32
		SHIELDS, TRANSMISSION	1913-3
		SHIFTER ASSEMBLY	1674-8
		SHIFTER ASSEMBLY TO JOYSTICK FNR CONVERSION KIT	3160-92
		SHORT BLOCK, ENGINE	0450-2
		SIDE COUNTERWEIGHT	1749-2
		SIDE SHIELD STRIKER BAR	1910-6
		SIDE SHIELDS, COOLING	1910-6
		SIDE SHIELDS, ENGINE	1910-4
		SIDE SHIELDS, TRANSMISSION	1913-3
		SIGHT GAUGE, TRANSMISSION	0360-2
S			
SEAL KIT, ATTACHMENT COUPLER CYLINDER (POWERLLEL AND Z-BAR LINKAGE)	3104-14		
SEAL KIT, ATTACHMENT COUPLER CYLINDER (POWERLLEL AND Z-BAR LINKAGE)	3104-16		
SEAL KIT, ATTACHMENT HI-VIS COUPLER CYLINDER (POWERLLEL AND Z-BAR LINKAGE)	3104-18		
SEAL KIT, INLET SECTION LOADER CONTROL VALVE (S.N. -595139)	3160-20		
SEAL KIT, INLET SECTION LOADER CONTROL VALVE (S.N. 595140-)	3160-32		
SEAL KIT, OUTLET VALVE SECTION LOADER CONTROL VALVE (S.N. -595139)	3160-46		
SEAL KIT, OUTLET VALVE SECTION LOADER CONTROL VALVE (S.N. 595140-)	3160-48		
SEAL, CRANKSHAFT REAR	0433-2		
SEAL, FRONT	0417-2		
SEAL, SOUND ABSORBER	1913-6		
SEALED SWITCH MODULE	1674-6		
SEALS, HI-VIS COUPLER HYDRAULIC HOSES	3163-2		
SEAT BASE	1810-18		
SEAT BASE	1810-20		
SEAT BRACKETS	1821-2		
SEAT CUSHION	1821-2		
SEAT DECK	1810-18		
SEAT DECK	1810-20		
SEAT SUSPENSION	1821-2		
SEAT SUSPENSION (AIR SUSPENSION)	1821-4		
SEAT, RIGHT ARM REST	1821-6		
SEAT, SUSPENSION (AIR SUSPENSION)	1821-4		
SECOND GEAR CLUTCH ASSEMBLY	0350-32		
SECONDARY STEERING	0930-2		
SECONDARY STEERING	0930-4		
SECONDARY STEERING PUMP	0930-2		
SECONDARY STEERING PUMP	0930-4		
SECONDARY STEERING SWITCH	0930-2		
SECONDARY STEERING SWITCH	0930-4		
SECONDARY STEERING WIRE HARNESS	0930-2		
SECONDARY STEERING WIRE HARNESS	0930-4		
SECTION, AUXILIARY LOADER CONTROL VALVE (S.N. -595139)	3160-42		
SECTION, AUXILIARY LOADER CONTROL VALVE (S.N. 595140-)	3160-44		
SECTION, VALVE, BOOM LOADER CONTROL VALVE (S.N. -595139)	3160-38		
SECTION, VALVE, BOOM LOADER CONTROL VALVE (S.N. 595140-)	3160-40		
SECTION, VALVE, BUCKET LOADER CONTROL VALVE (S.N. -595139)	3160-34		
SECTION, VALVE, BUCKET LOADER CONTROL VALVE (S.N. 595140-)	3160-36		
SECTION, VALVE, FIFTH FUNCTION (SER. NO. - XXXXXX)	3160-50		

ALPHABETICAL INDEX - CONTINUED

	PAGE		PAGE
SINGLE AND DUAL AUXILIARY CONTROLLER		STOP LIGHT	1673-6
COMPONENTS	3160-84	STOP, AXLE (8 DEGREE)	0242-4
SLOW MOVING VEHICLE EMBLEM	1810-37	STRAINER, ENGINE OIL PUMP INTAKE	0407-6
SMV EMBLEM	1810-37	STRAP, ENGINE LIFT	0404-5
SOLENOID ASSEMBLY	3160-88	STRIKER BAR, SIDE SHIELD	1910-6
SOLENOID VALVE, PARK BRAKE	1060-4	STUD ASSEMBLY, CONTROL VALVE	
SOLENOID VALVE, REVERSE FAN DRIVE	0510-10	LOADER CONTROL VALVE (S.N. -595139)	3160-20
SOLENOID VALVE, RIDE CONTROL	3160-102	STUD ASSEMBLY, LOADER CONTROL VALVE	
SOLENOID, STARTING MOTOR	0422-2	(2-SPOOL) (S.N. 595140-)	3160-4
SOLENOID, TWO LEVER PILOT CONTROLLER	3160-80	STUD ASSEMBLY, LOADER CONTROL VALVE	
SOUND ABSORPTION	1913-6	(3-SPOOL) (S.N. 595140-)	3160-10
SOUND, ABSORBER	1913-6	STUD ASSEMBLY, LOADER CONTROL VALVE	
SPACER, WHEEL	0110-8	(4-SPOOL) (S.N. 595140-)	3160-16
SPACERS, HI-VIS LINKAGE ATTACHMENT		SUN VISOR	1810-47
COUPLER (POWERLLEL)	3104-10	SUPPORTS, DIFFERENTIAL	0242-2
SPACERS, Z-BAR LINKAGE ATTACHMENT,		SURGE TANK	0510-2
HI-VIS COUPLER	3104-12	SURGE TANK	0510-3A
SPANISH LABELS AND DECALS	1322-8	SUSPENSION SEAT	
SPEAKER, RADIO		(AIR SUSPENSION)	1821-4
(SER. NO. -590067)	2001-6	SUSPENSION, SEAT	1821-2
SPEAKER, RADIO		SWITCH COVER CONSOLE	1810-54
(SERIAL NO 600741-)	2001-7C	SWITCH INTERFACE, CONTROL PANEL	1674-6
SPEAKER, RADIO (SER.NO. 590068-600740)	2001-7A	SWITCH PARKING BRAKE	1674-8
SPEED SENSOR, TRANSMISSION	0350-10	SWITCH, A/C AND HEATER BLOWER	1674-11
SPIRAL BEVEL GEAR AND SHAFT, FRONT	0210-4	SWITCH, A/C AND HEATER THERMOSTAT	1830-4
SPIRAL BEVEL GEAR AND SHAFT, REAR 1200 S		SWITCH, BATTERY DISCONNECT	1671-2
ERIES	0210-5	SWITCH, BRAKE VALVE	1060-2
SPRAYER, FUEL INJECTION PUMP	0413-2	SWITCH, DIFFERENTIAL LOCK	0260-20
SPRING, VALVE	0409-2	SWITCH, DOMELIGHT, DOOR ACTIVATED	1673-5
STANDARD DIFFERENTIAL CASE, FRONT	0210-10	SWITCH, HEATER AND A/C BLOWER MOTOR	1830-4
STANDARD DIFFERENTIAL, FRONT	0210-18	SWITCH, HEATER BLOWER MOTOR	1830-8
STANDARD DIFFERENTIAL, REAR	0210-20	SWITCH, HEATER THERMOSTAT	1830-8
STARTER IGNITION SWITCH (CAB)	1674-6	SWITCH, HORN	1810-48
STARTER RELAY		SWITCH, IGNITION	1674-6
(FOR USE WITH POWERLLEL LINKAGE)	1674-4	SWITCH, KICKDOWN, TWO LEVER PILOT	
STARTER RELAY (SN -603805)	1674-2	CONTROLLER	3160-80
STARTER RELAY (SN 603806-)	1674-3A	SWITCH, PARKING BRAKE	1674-9
STARTING MOTOR	0422-2	SWITCH, SECONDARY STEERING	0930-2
STATOR KIT, A/C	1830-12	SWITCH, SECONDARY STEERING	0930-4
STEERING COLUMN	1810-48	SWITCH, TEMPERATURE	1830-2
STEERING COLUMN CLAMP AND COVER	1674-9	SWITCH, TRANSMISSION OIL FILTER	
STEERING COLUMN COVER	1810-52	RESTRICTION INDICATOR	0350-16
STEERING COLUMN LINKAGE	1810-48		
STEERING COLUMN, LOWER	1810-50	T	
STEERING CUSHIONS	1740-4	TANK, COOLANT RECOVERY	0510-2
STEERING CYLINDER	0960-10	TANK, COOLANT RECOVERY	0510-3A
STEERING CYLINDER FITTINGS	0960-8	TANK, FUEL	0560-2
STEERING CYLINDER HYDRAULIC HOSE	0960-6	TANK, WINDOW WASHER	1810-24
STEERING CYLINDER PIN		TAPPET, ROCKER ARM	0402-2
(POWERLLEL LINKAGE)	3140-6	TEETH, LOADER BUCKET	3102-8
STEERING CYLINDER PIN		TEMPERATURE CONTROL	1830-2
(Z-BAR LINKAGE)	3140-2	TEMPERATURE CONTROL	1830-6
STEERING CYLINDER PIN (TOOL CARRIER)	3140-4	TEMPERATURE SENSOR, ENGINE COOLANT	0418-2
STEERING CYLINDER REPAIR KIT	0960-10	TEMPERATURE SENSOR, HYDRAULIC OIL	2160-6
STEERING HOSES	0960-6	TEMPERATURE SENSOR, TRANSMISSION	0350-18
STEERING VALVE	0960-2	TEMPERATURE SWITCH	1830-2
STEERING VALVE BRACKET	1810-50	TENSIONER PULLEY	0429-1
STEERING VALVE FITTINGS	0960-2	TENSIONER, BELT (55 AMP)	1672-2
STEERING VALVE SEAL KIT	0960-4	TENSIONER, BELT (80 AMP)	1672-6
STEERING WHEEL	1810-48	TENSIONER, BELT, HARSH ENVIRONMENT ALTER	
STEERING, SECONDARY	0930-2	NATOR (100 AMP)	1672-10
STEERING, SECONDARY	0930-4	TENSIONER, DRIVE BELT	0429-1
STEP, ENGINE COMPARTMENT	1822-6	THERMAL BYPASS VALVE LINES, TRANSMISSION	0360-4
STEP, REAR	1822-6	THERMAL BYPASS VALVE, TRANSMISSION	0360-4
STEPS,CLOSE MOUNTED	1822-4	THERMOSTAT HOUSING GASKET	0418-2
STEPS,OPERATOR ACCESS PLATFORM	1822-2		
STOP LAMP	1673-6		

ALPHABETICAL INDEX - CONTINUED

	PAGE		PAGE
THERMOSTAT, A/C AND HEATER SWITCH.....	1830-4	TORQUE CONVERTER HOUSING.....	0350-4
THERMOSTAT, ENGINE COOLANT	0418-2	TORQUE CONVERTER HOUSING COVER	0350-4
THERMOSTAT, HEATER SWITCH	1830-8	TORSIONAL DAMPER PULLEY.....	0429-2
THIRD AND FOURTH FUNCTION AUXILIARY HYDRAULICS (FOR USE WITH TC).....	3160-76	TRADEMARKS AND LABELS (ENGLISH).....	1322-2
THIRD FUNCTION AUXILIARY HYD, BOOM TO COUPLER (Z-BAR LINKAGE)	3163-4	TRANS. COVER, ABSORBER	1913-6
THIRD FUNCTION AUXILIARY HYD, HIGH LIFT BOOM TO COUPLER (Z-BAR LINKAGE)	3163-4	TRANSMISSION.....	0350-2
THIRD FUNCTION AUXILIARY HYDRAULICS (POWERLLEL LINKAGE).....	3160-70	TRANSMISSION BOTTOM GUARD.....	1746-4
THIRD FUNCTION AUXILIARY HYDRAULICS (POWERLLEL LINKAGE) (BOOM TO COUPLER)	3163-6	TRANSMISSION CONTROL UNIT	1674-6
THIRD FUNCTION AUXILIARY HYDRAULICS (Z-BAR LINKAGE) (S.N. -595139).....	3160-54	TRANSMISSION CONTROL VALVE	0350-18
THIRD FUNCTION AUXILIARY HYDRAULICS (Z-BAR LINKAGE) (S.N. 595140-).....	3160-60	TRANSMISSION CONTROL VALVE MANIFOLD.....	0350-16
THIRD FUNCTION BOOM TO COUPLER PLUMBING (POWERLLEL LINKAGE).....	3163-6	TRANSMISSION COVER	0350-13
THIRD FUNCTION HIGH LIFT BOOM TO COUPLER PLUMBING (Z-BAR LINKAGE)	3163-4	TRANSMISSION DRAIN PLUG.....	0350-8
THIRD GEAR CLUTCH ASSEMBLY	0350-34	TRANSMISSION DRIVE SHAFTS.....	0325-2
THREE SPOOL CONTROL VALVE (S.N. -595139).....	3160-8	TRANSMISSION EXTERNAL OIL LINES.....	0360-4
THREE SPOOL CONTROL VALVE, LOADER (S.N. 595140-).....	3160-10	TRANSMISSION FITTINGS	0350-2
THREE SPOOL CONTROL VALVE, LOADER TOOL CARRIER.....	3160-12	TRANSMISSION GASKET	0350-13
THREE SPOOL LOADER CONTROL VALVE (S.N. -595139).....	3160-8	TRANSMISSION GUARDS.....	1913-3
THREE SPOOL LOADER CONTROL VALVE (S.N. 595140-).....	3160-10	TRANSMISSION HOUSING	0350-8
THREE SPOOL LOADER CONTROL VALVE, TOOL CARRIER.....	3160-12	TRANSMISSION HOUSING COVER	0350-8
THREE SPOOL TOOL CARRIER CONTROL VALVE	3160-12	TRANSMISSION INPUT GEAR.....	0350-6
THREE SPOOL VALVE, LOADER CONTROL (S.N. 595140-).....	3160-10	TRANSMISSION INPUT SHAFT	0350-6
THREE SPOOL VALVE, LOADER CONTROL TOOL CARRIER.....	3160-12	TRANSMISSION INTERNAL OIL LINES.....	0350-14
TIE BOLTS, LOADER CONTROL VALVE (2-SPOOL) (S.N. 595140-).....	3160-4	TRANSMISSION LINES, THERMAL BYPASS VALVE	0360-4
TIE BOLTS, LOADER CONTROL VALVE (3-SPOOL) (S.N. 595140-).....	3160-10	TRANSMISSION MOUNTING BRACKETS.....	0342-2
TIE BOLTS, LOADER CONTROL VALVE (4-SPOOL) (S.N. 595140-).....	3160-16	TRANSMISSION OIL COOLER	0510-2
TILT CYLINDER (FOR USE WITH TC).....	3165-12	TRANSMISSION OIL COOLER.....	0510-3A
TILT CYLINDER PINS AND FITTINGS, POWERLLEL LINKAGE.....	3165-14	TRANSMISSION OIL FILL.....	0360-2
TILT CYLINDER PINS AND FITTINGS, TOOL CARRIER.....	3165-8	TRANSMISSION OIL FILTER	0350-2
TIMING GEAR COVER.....	0417-2	TRANSMISSION OIL FILTER ELEMENT	0350-2
TOOL CARRIER ATTACHMENT COUPLER	3104-2	TRANSMISSION OIL FILTER HEAD.....	0350-2
TOOL CARRIER ATTACHMENT COUPLER CYLINDER	3104-4	TRANSMISSION OIL FILTER RESTRICTION INDICATOR SWITCH.....	0350-16
TOOL CARRIER BOOM	3140-10	TRANSMISSION OIL LINES,INTERNAL	0350-14
TOOL CARRIER BOOM CYLINDER PINS AND FITTINGS	3165-8	TRANSMISSION OUTPUT SHAFT	0350-20
TOOL CARRIER BOOM LINKAGE.....	3140-18	TRANSMISSION PUMP	0350-12
TOOL CARRIER FRAME.....	3140-4	TRANSMISSION SHIELDS	1913-3
TOOL CARRIER FRAME PIVOT PIN	3140-4	TRANSMISSION SIDE SHIELDS.....	1913-3
TOOL CARRIER LINKAGE.....	3140-18	TRANSMISSION SIGHT GAUGE	0360-2
TOOL CARRIER THREE SPOOL CONTROL VALVE	3160-12	TRANSMISSION SPEED SENSOR	0350-10
TOOL CARRIER TILT CYLINDER PINS AND FITTINGS	3165-8	TRANSMISSION TEMPERATURE SENSOR.....	0350-18
TOOL CARRIER TWO SPOOL CONTROL VALVE	3160-6	TRANSMISSION THERMAL BYPASS VALVE.....	0360-4
TORQUE CONVERTER	0350-4	TRANSMISSION WIRING HARNESS (FOR USE WITH POWERLLEL LINKAGE).....	1674-4
TORQUE CONVERTER DRIVE SHAFT.....	0350-4	TRANSMISSION WIRING HARNESS (SN -603805).....	1674-2
		TRANSMISSION WIRING HARNESS (SN 603806-).....	1674-3A
		TUBE, ENGINE OIL PUMP INTAKE	0407-6
		TUBE, FUEL INJECTION PUMP	0413-2
		TUBE, THERMOSTAT HOUSING.....	0418-2
		TURBOCHARGER AND OIL LINES.....	0416-1
		TURN AND MARKER LIGHT (SN -603805).....	1673-2
		TURN AND MARKER LIGHT (SN 603806-).....	1673-3A
		TURN LAMP	1673-6
		TURN LIGHT	1673-6
		TWO FUNCTION CONTROL VALVE, LOADER (S.N. -595139).....	3160-2
		TWO LEVER PILOT CONTROLLER	3160-78
		TWO LEVER PILOT CONTROLLER	3160-80
		TWO LEVER PILOT CONTROLLER BOOT	3160-80
		TWO LEVER PILOT CONTROLLER COMPONENTS.....	3160-80
		TWO LEVER PILOT CONTROLLER SOLENOID.....	3160-80
		TWO LEVER PILOT CONTROLLER WITH AUXILARY.....	3160-82
		TWO LEVER TO JOYSTICK CONVERSION KIT	3160-86

ALPHABETICAL INDEX - CONTINUED

	PAGE		PAGE
TWO LEVER WITH AUX. TO JOYSTICK WITH AUX. CONVERSION KIT	3160-90	VALVE, FIFTH FUNCTION SECTION (SER. NO. XXXXXX -)	3160-52
TWO SPOOL CONTROL VALVE, LOADER (S.N. -595139)	3160-2	VALVE, INLET SECTION WITH RELIEF VALVE LOADER CONTROL VALVE (S.N. -595139)	3160-20
TWO SPOOL CONTROL VALVE, LOADER (S.N. 595140-)	3160-4	VALVE, INLET SECTION WITH RELIEF VALVE LOADER CONTROL VALVE (S.N. 595140-)	3160-32
TWO SPOOL CONTROL VALVE, LOADER TOOL CARRIER	3160-6	VALVE, INTAKE	0409-2
TWO SPOOL LOADER CONTROL VALVE (S.N. -595139)	3160-2	VALVE, LOADER CONTROL (2-SPOOL) (S.N. -595139)	3160-2
TWO SPOOL LOADER CONTROL VALVE (S.N. 595140-)	3160-4	VALVE, LOADER CONTROL (2-SPOOL) (S.N. 595140-)	3160-4
TWO SPOOL LOADER CONTROL VALVE, TOOL CARRIER	3160-6	VALVE, LOADER CONTROL (2-SPOOL) TOOL CARRIER	3160-6
TWO SPOOL TOOL CARRIER CONTROL VALVE	3160-6	VALVE, LOADER CONTROL (3-SPOOL) (S.N. -595139)	3160-8
TWO SPOOL VALVE, LOADER CONTROL (S.N. 595140-)	3160-4	VALVE, LOADER CONTROL (3-SPOOL) (S.N. 595140-)	3160-10
TWO SPOOL VALVE, LOADER CONTROL TOOL CARRIER	3160-6	VALVE, LOADER CONTROL (3-SPOOL) TOOL CARRIER	3160-12
U			
U-JOINT ASSEMBLY	3160-88	VALVE, LOADER CONTROL (4-SPOOL) (S.N. -595139)	3160-14
UPPER ALTERNATOR BRACKET	0423-2	VALVE, LOADER CONTROL (4-SPOOL) (S.N. 595140-)	3160-16
V			
VALVE COMPONENTS, AUXILIARY SECTION LOADER CONTROL VALVE (S.N. -595139)	3160-42	VALVE, OIL FILTER BYPASS	0407-8
VALVE COMPONENTS, AUXILIARY SECTION LOADER CONTROL VALVE (S.N. 595140-)	3160-44	VALVE, PIN AND AXLE DISCONNECT	3160-103
VALVE COMPONENTS, PIN DISCONNECT	3160-103	VALVE, PIN AND AXLE DISCONNECT (S.N. -595139)	3160-106
VALVE COMPONENTS, PIN AND AXLE DISCONNECT	3160-103	VALVE, PIN AND AXLE DISCONNECT (S.N. 595140-)	3160-110
VALVE COVER	0402-1	VALVE, PRESSURE REGULATOR FITTINGS	2160-8
VALVE LINES, TRANSMISSION THERMAL BYPASS	0360-4	VALVE, REGULATING	3160-88
VALVE MANIFOLD, TRANSMISSION CONTROL	0350-16	VALVE, REVERSE FAN DRIVE, RELIEF	0510-10
VALVE SEAT INSERTS	0409-2	VALVE, REVERSE FAN DRIVE, SOLENOID	0510-10
VALVE SECTION, BUCKET LOADER CONTROL VALVE (S.N. -595139)	3160-34	VALVE, RIDE CONTROL	3160-102
VALVE SECTION, BUCKET LOADER CONTROL VALVE (S.N. 595140-)	3160-36	VALVE, SOLENOID, PARK BRAKE	1060-4
VALVE STEM, WHEEL RIM (THREE PIECE RIM) (25 X 17)	0110-2	VALVE, STEERING	0960-2
VALVE STEM, WHEEL RIM (FIVE PIECE RIM) (25 X 19.5)	0110-4	VALVE, STEERING, BRACKET	1810-50
VALVE, AUXILIARY LOADER CONTROL VALVE (S.N. -595139)	3160-42	VALVE, STEERING, KIT	0960-4
VALVE, AUXILIARY LOADER CONTROL VALVE (S.N. 595140-)	3160-44	VALVE, TRANSMISSION THERMAL BYPASS	0360-4
VALVE, BOOM SECTION LOADER CONTROL VALVE (S.N. -595139)	3160-38	VALVE, CONVERTER RELIEF	0350-22
VALVE, BOOM SECTION LOADER CONTROL VALVE (S.N. 595140-)	3160-40	VALVES, ENVIRONMENTAL DRAIN	1369-2
VALVE, BRAKE	1060-2	VANDAL COVER	1810-20
VALVE, BRAKE, HYDRAULICS	1060-10	VAPOR CONDENSER	1830-14
VALVE, BUCKET SECTION LOADER CONTROL VALVE (S.N. -595139)	3160-34	VEHICLE ELECTRICAL CENTER	1674-18
VALVE, BUCKET SECTION LOADER CONTROL VALVE (S.N. 595140-)	3160-36	VENTILATING SYSTEM, ENGINE	0408-1
VALVE, ENGINE OIL BYPASS	0404-2	VENTILATION DUCTING	1830-2
VALVE, ENGINE OIL PAN DRAIN	0407-4	VENTILATION, LOUVERS	1810-8
VALVE, ENGINE OIL PRESSURE REGULATING	0404-2	VISOR, SUN	1810-47
VALVE, EXHAUST	0409-2	VOLTAGE REGULATOR (55 AMP)	1672-2
VALVE, FIFTH FUNCTION SECTION (SER. NO. - XXXXXX)	3160-50	VOLTAGE REGULATOR (80 AMP)	1672-6
W			
		WASTE HANDLER BUCKET	3102-12
		WASTE HANDLER BUCKET CUTTING EDGE	3102-12
		WATER PUMP	0417-2
		WATER PUMP INLET	0417-4
		WATER PUMP PULLEY	0417-4
		WATER SEPARATOR	0420-2
		WHEEL RIM (FIVE PIECE RIM) (25 X 19.5)	0110-4
		WHEEL RIM ASSEMBLY (THREE PIECE RIM) (25 X 17)	0110-2
		WHEEL RIM VALVE STEM (FIVE PIECE RIM) (25 X 19.5)	0110-4

ALPHABETICAL INDEX - CONTINUED

	PAGE	PAGE
WHEEL RIM VALVE STEM (THREE PIECE RIM) (25 X 17).....	0110-2	
WHEEL RIM, LOGGER (ONE PIECE) (28 X 26).....	0110-6	
WHEEL RING, POWERLLEL LINKAGE.....	0110-6	
WHEEL SPACER.....	0110-8	
WHEEL, SPEED SENSOR.....	0401-1	
WHEEL, STEERING.....	1810-48	
WINDOW WASHER CAP.....	1810-24	
WINDOW WASHER HOSES.....	1810-24	
WINDOW WASHER PUMP.....	1810-24	
WINDOW WASHER TANK.....	1810-24	
WINDOW WASHER, FRONT AND REAR.....	1810-24	
WINDOW, CANOPY REAR.....	1810-16	
WINDOWS.....	1810-4	
WINDSHIELD WIPER (FRONT).....	1810-26	
WINDSHIELD WIPER, (REAR).....	1810-28	
WIPER ARM, WINDSHIELD (FRONT).....	1810-26	
WIPER BLADE, WINDSHIELD (FRONT).....	1810-26	
WIPER BLADE, WINDSHIELD (REAR).....	1810-28	
WIPER MOUNTING BRACKETS.....	1810-30	
WIRE HARNESS,SECONDARY STEERING.....	0930-2	
WIRE HARNESS,SECONDARY STEERING.....	0930-4	
WIRING HARNESS, CAB.....	1674-6	
WIRING HARNESS, ENGINE (FOR USE WITH POWERLLEL LINKAGE).....	1674-4	
WIRING HARNESS, ENGINE (SN -603805).....	1674-2	
WIRING HARNESS, ENGINE (SN 603806-).....	1674-3A	
WIRING HARNESS, ENGINE FRAME (FOR USE WITH POWERLLEL LINKAGE).....	1674-4	
WIRING HARNESS, ENGINE FRAME (SN -603805).....	1674-2	
WIRING HARNESS, ENGINE FRAME (SN 603806-).....	1674-3A	
WIRING HARNESS, FRONT CONSOLE.....	1674-8	
WIRING HARNESS, FRONT CONSOLE.....	1674-9	
WIRING HARNESS, FUEL INJECTION PUMP.....	0413-2	
WIRING HARNESS, LOAD CENTER.....	1674-6	
WIRING HARNESS, LOADER FRAME (FOR USE WITH POWERLLEL LINKAGE).....	1674-4	
WIRING HARNESS, LOADER FRAME (SN -603805).....	1674-2	
WIRING HARNESS, LOADER FRAME (SN 603806-).....	1674-3A	
WIRING HARNESS, MAIN (FOR USE WITH POWERLLEL LINKAGE).....	1674-4	
WIRING HARNESS, MAIN (SN -603805).....	1674-2	
WIRING HARNESS, MAIN(SN 603806-).....	1674-3A	
WIRING HARNESS, REAR FRAME (FOR USE WITH POWERLLEL LINKAGE).....	1674-4	
WIRING HARNESS, REAR FRAME (SN -603805).....	1674-2	
WIRING HARNESS, REAR FRAME (SN 603806-).....	1674-3A	
WIRING HARNESS, RIDE CONTROL (S.N. -595139).....	3160-98	
WIRING HARNESS, RIDE CONTROL (S.N. 595140-).....	3160-100	
WIRING HARNESS, TRANSMISSION (FOR USE WITH POWERLLEL LINKAGE).....	1674-4	
WIRING HARNESS, TRANSMISSION (SN -603805).....	1674-2	
WIRING HARNESS, TRANSMISSION (SN 603806-).....	1674-3A	
WIRING, A/C AND HEATER BLOWER.....	1674-11	
		WIRING, FRONT DASH MODULE..... 1674-8 WIRING, HVAC..... 1674-11 WORK LAMP, FRONT AND REAR..... 1673-4 WRIST ARM REST, RIGHT..... 1821-6 <div style="text-align: center;">Y</div> YOKE, FRONT INPUT..... 0210-2 YOKE, INPUT DRIVE..... 0350-4 YOKE, INPUT REAR..... 0210-3 <div style="text-align: center;">Z</div> Z-BAR LINKAGE ATTACHMENT COUPLER..... 3104-6 Z-BAR LINKAGE ATTACHMENT COUPLER, HI-VIS..... 3104-12

0110-2

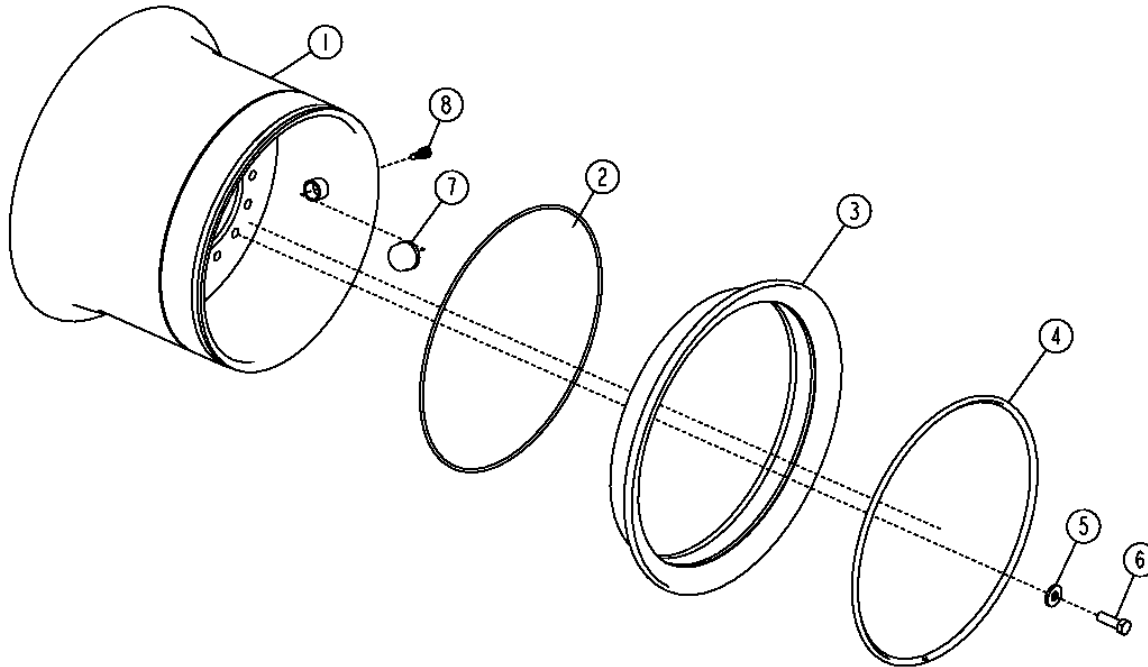
WHEELS 01

POWERED WHEELS AND FASTENINGS 0110

WHEEL RIM ASSEMBLY (25 X 17) (THREE PIECE)
JANTE DE ROUE (25 X 17) (TROIS PIECES)
CONJUNTO DE ARO DE RUEDA (25 X 17) (TRES PIEZAS)

T193567

-UN-18AUG03



T193567

THIS PARTS LISTING IS CONTINUED

0110-3

WHEELS 01

POWERED WHEELS AND FASTENINGS 0110
WHEEL RIM ASSEMBLY (25 X 17) (THREE PIECE)
JANTE DE ROUE (25 X 17) (TROIS PIECES)
CONJUNTO DE ARO DE RUEDA (25 X 17) (TRES PIEZAS)

KEY	PART NO.	PART NAME	QTY.	SERIAL NO.	REMARKS
1	WHEEL	1	-595197	(AT225307 NLA) (SUB AT317474)
	AT317474	WHEEL	1	595198-	(635 MM X 432 MM) (20.5 INCH WIDE TIRE)
2	T59933	O-RING	1		
3	T27532	WHEEL RING	1	-595197	
	T212453	WHEEL RING	1	595198-	(USE WITH AT317474)
4	T27194	WHEEL RING	1	-595197	
	T212452	WHEEL RING	1	595198-	(USE WITH AT317474)
5	T151797	WASHER	14		
6	19M8224	CAP SCREW	14		
7	15H710	FITTING	1	-595197	1-1/2"
	15H709	FITTING	1	595198-	2"
8	AT25226	TIRE VALVE STEM	1		

0110-4

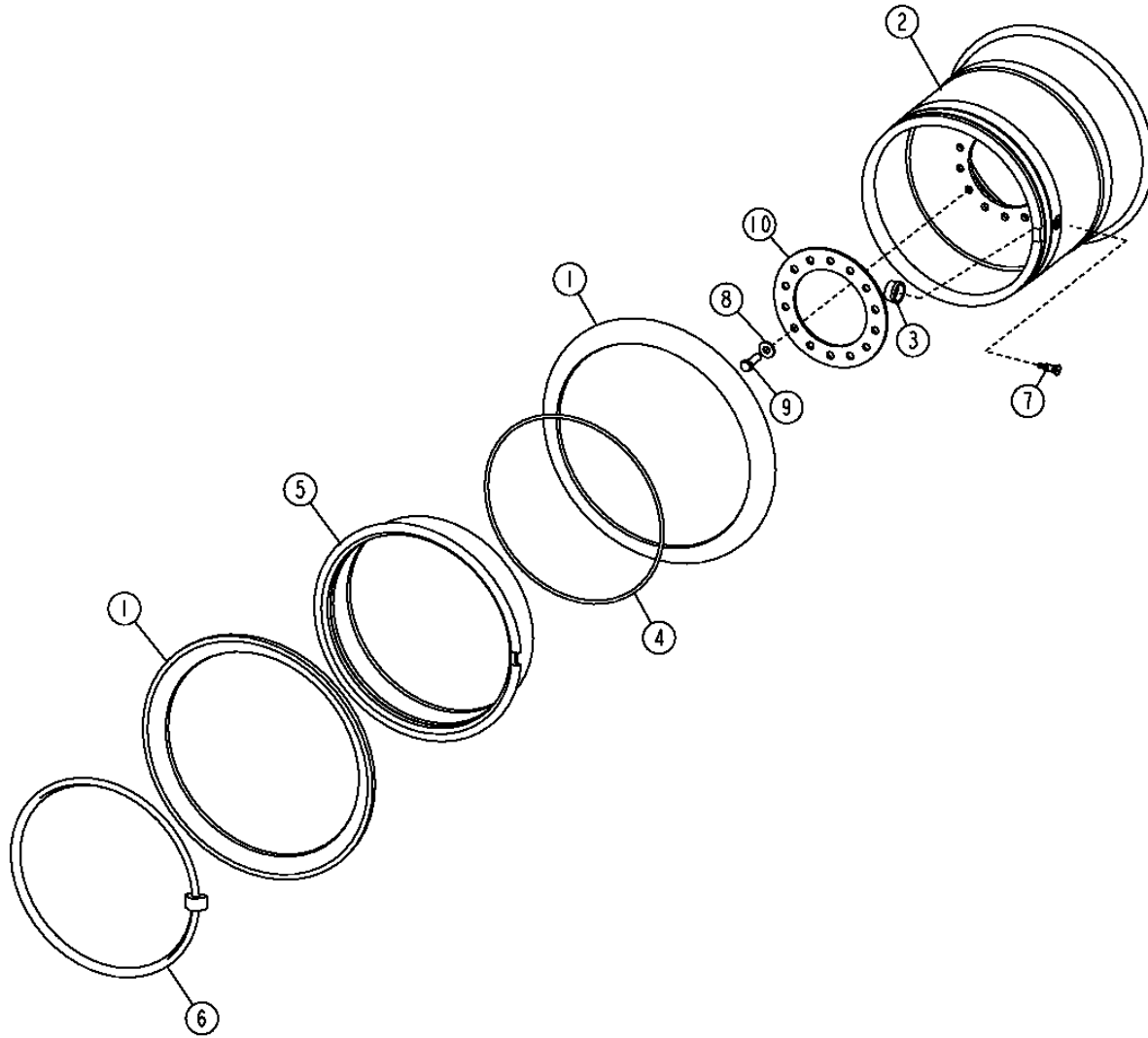
WHEELS 01

POWERED WHEELS AND FASTENINGS 0110

WHEEL RIM ASSEMBLY (25 X 19.5) (FIVE PIECE)
JANTE DE ROUE (25 X 19.5) (CINQ PIECES)
CONJUNTO DE ARO DE RUEDA (25 X 19.5) (CINCO PIEZAS)

T204221

-UN-04NOV04



T204221

THIS PARTS LISTING IS CONTINUED

0110-5

WHEELS 01

POWERED WHEELS AND FASTENINGS 0110
WHEEL RIM ASSEMBLY (25 X 19.5) (FIVE PIECE)
JANTE DE ROUE (25 X 19.5) (CINQ PIECES)
CONJUNTO DE ARO DE RUEDA (25 X 19.5) (CINCO PIEZAS)

KEY	PART NO.	PART NAME	QTY.	SERIAL NO.	REMARKS
1	R29477	WHEEL RING	2		(USE WITH 25"X19.5"X2.5 MP RIM)
2	AT304421	WHEEL	1		
3	15H710	FITTING	1		
4	R29480	O-RING	1		
5	U43961	WHEEL RING	1		(USE WITH 25"X19.5"X2.5 MP RIM)
6	R29479	WHEEL RING	1		
7	AT335172	TIRE VALVE STEM	1		(SUB FOR AT67275) (USE WITH 25"X19.5"X2.5 MP RIM)
8	T151797	WASHER	14		
9	19M8224	CAP SCREW	14		M20 X 60
10	T213146	RING	1		(FOR USE WITH POWERLLEL™ LINKAGE)

0110-6

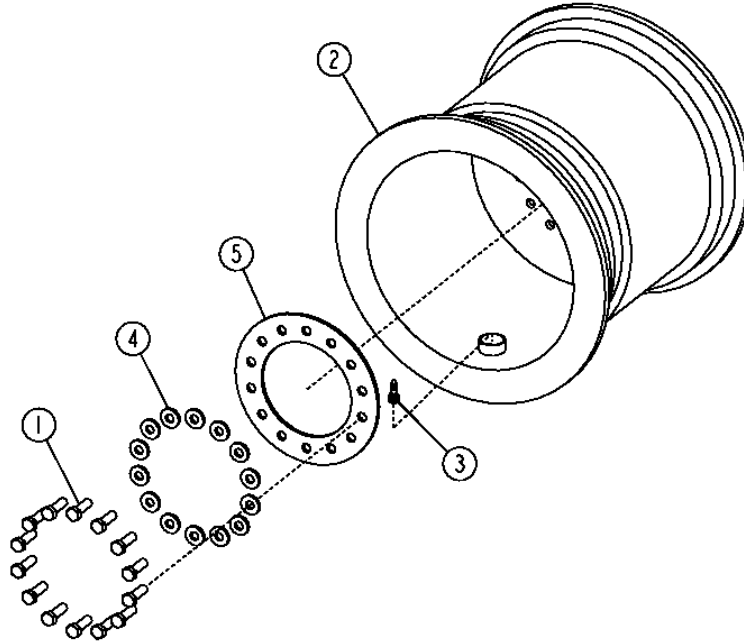
WHEELS 01

POWERED WHEELS AND FASTENINGS 0110

LOGGER RIM ASSEMBLY (28 X 26) (1 PIECE)
JANTE DE FOURCHE A RONDINS (28 X 16) (MONOBLOC)
CONJUNTO DE ARO DE LA MANIPULADORA DE TRONCOS (28 X 26) (UNA PIEZA)

T195554

-UN-16OCT03



T195554

THIS PARTS LISTING IS CONTINUED

0110-7

WHEELS 01

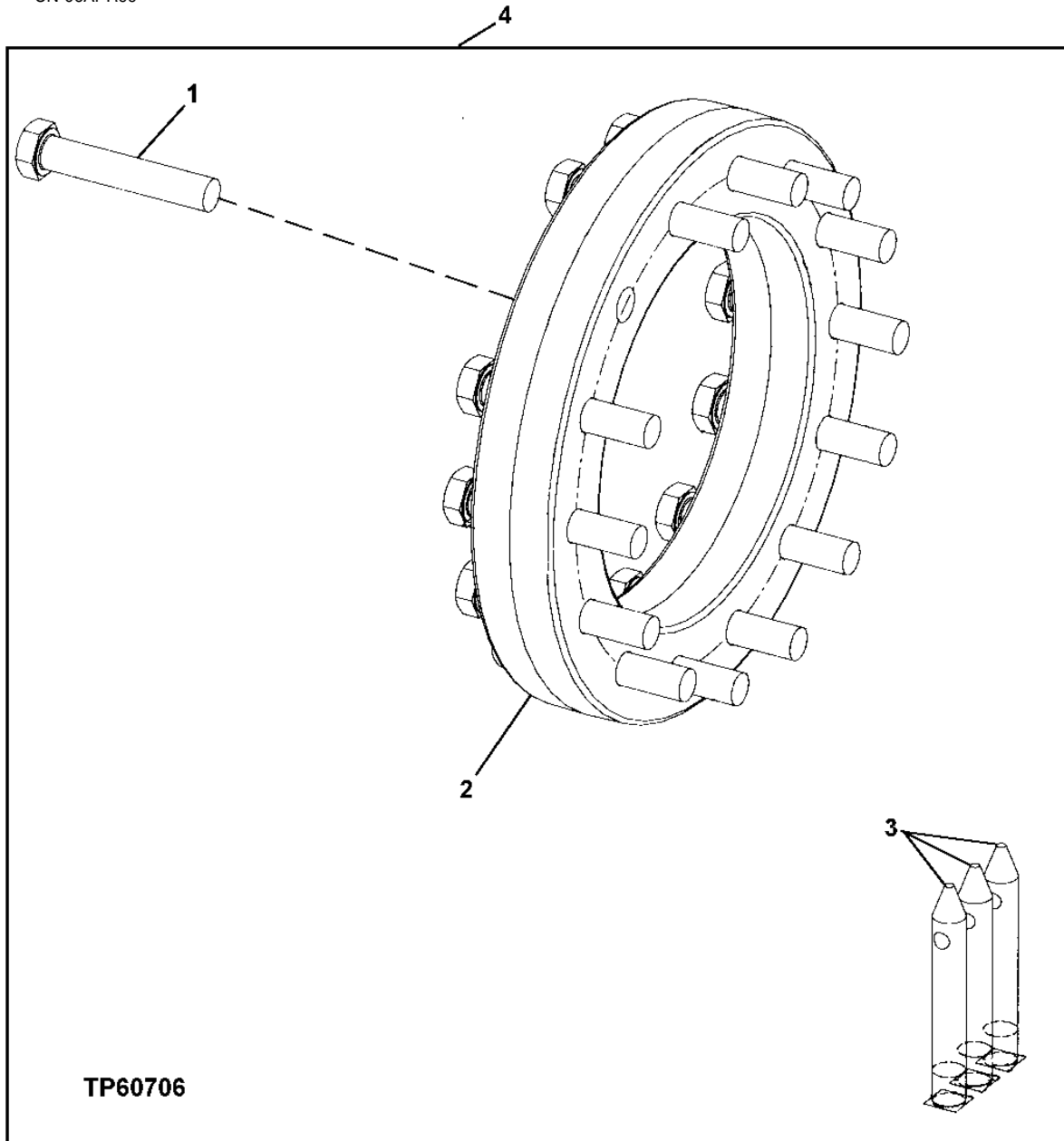
POWERED WHEELS AND FASTENINGS 0110
LOGGER RIM ASSEMBLY (28 X 26) (1 PIECE)
JANTE DE FOURCHE A RONDINS (28 X 16) (MONOBLOC)
CONJUNTO DE ARO DE LA MANIPULADORA DE TRONCOS (28 X 26) (UNA PIEZA)

KEY	PART NO.	PART NAME	QTY.	SERIAL NO.	REMARKS
1	19M8224	CAP SCREW	14		M20 X 60
2	AT103559	WHEEL	1		(711MM X 660MM) (30.5 INCH WIDE TIRE)
3	AT25226	TIRE VALVE STEM	1		
4	T151797	WASHER	14		
5	T213146	RING	1		(FOR USE WITH POWERLLEL™ LINKAGE)

0110-8

WHEEL SPACER ECARTEUR DE ROUE ESPACIADOR DE LA RUEDA

TP60706 -UN-06APR99



0110-9

WHEELS 01

POWERED WHEELS AND FASTENINGS 0110

**WHEEL SPACER
ECARTEUR DE ROUE
ESPACIADOR DE LA RUEDA**

KEY	PART NO.	PART NAME	QTY.	SERIAL NO.	REMARKS
1	19M7969	CAP SCREW	56		M20 X 110
2	T66862	SPACER	4		
3	T176455	STUD	3		
4	FIELD INSTALLATION KIT	1		(AT220872 NLA) (SUB COMPONENTS)

0110-10

WHEELS 01

POWERED WHEELS AND FASTENINGS 0110

MEMORANDA
MEMORANDA
MEMORANDA

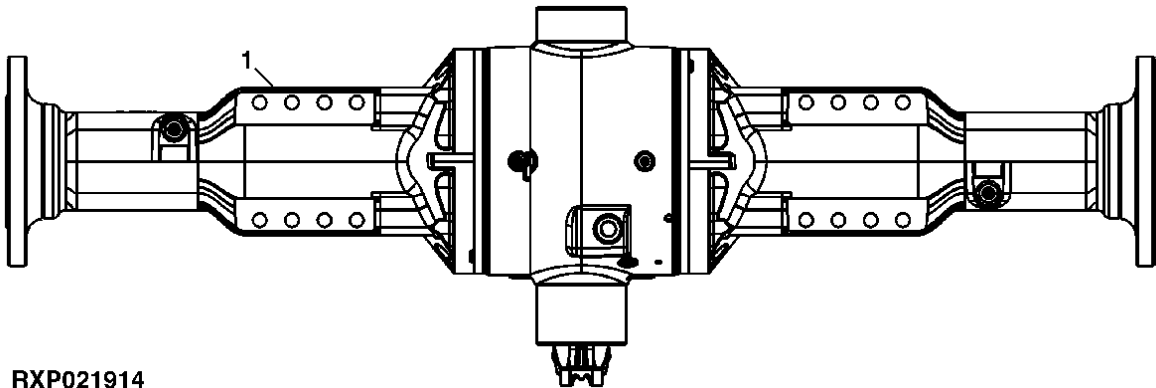
0210-1

AXLES, DIFFERENTIALS AND SUSPENSION SYSTEMS 02

DIFFERENTIAL OR BEVEL DRIVE 0210

AXLES
ESSIEUX
PUENTES

RXP021914 -UN-17JAN97



RXP021914

KEY	PART NO.	PART NAME	QTY.	AXLE SERIAL NO.	REMARKS
1	RE160299	AXLE WITH DIFFERENTIAL	1		(HYD. DIFF-LOCK) (1400 SERIES) (FRONT) (CONVENIENCE ASSY)
	RE164483	AXLE WITH DIFFERENTIAL	1		(HYD. DIFF-LOCK) (1200 SERIES) (REAR) (CONVENIENCE ASSY)
	RE160298	AXLE WITH DIFFERENTIAL	1		(STANDARD DIFF.) (FRONT) (CONVENIENCE ASSY)
	RE164482	AXLE WITH DIFFERENTIAL	1		(STANDARD DIFF.) (1200 SERIES) (REAR) (CONVENIENCE ASSY)

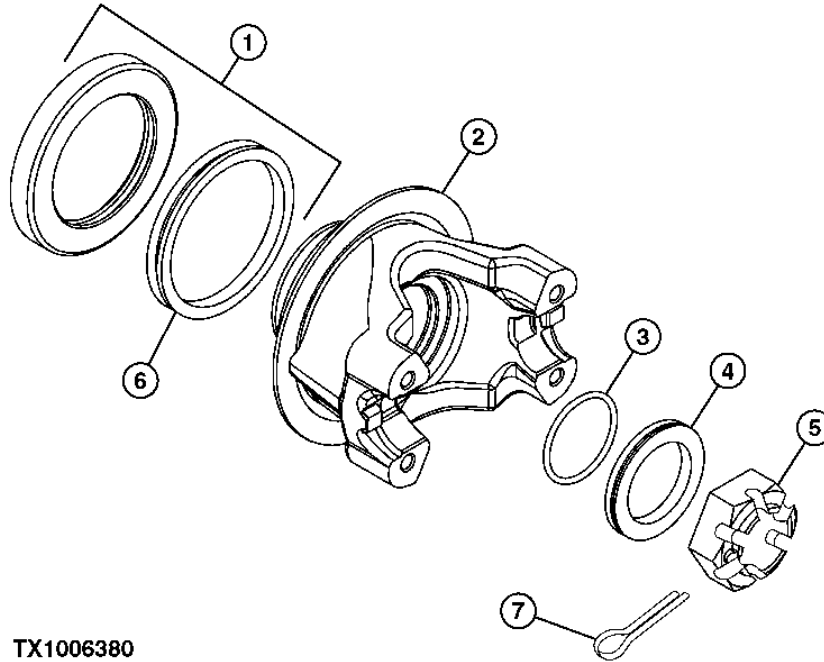
0210-2

AXLES, DIFFERENTIALS AND SUSPENSION SYSTEMS 02

DIFFERENTIAL OR BEVEL DRIVE 0210

FRONT INPUT YOKE (RE68115) (1400 SERIES)
CHAPE D'ENTREE AVANT (RE68115) (SERIE 1400)
HORQUILLA DE ENTRADA DELANTERA (RE68115) (SERIE 1400)

TX1006380 -UN-24APR06



TX1006380

KEY	PART NO.	PART NAME	QTY.	AXLE SERIAL NO.	REMARKS
1	RE45315 AT314207	SEAL KIT SEAL	1		(INCLUDES RE33887, R100500 AND (3) R72781)
2	RE68765	YOKE	1		(FOR HARSH ENVIRONMENT)
3	A4540R	O-RING	1		(MARKED R133685)
4	R48733	WASHER	AR		(.25 INCHES)(6.35 MM)
	R48734	WASHER	AR		(.248 INCHES)(6.299 MM)
	R48735	WASHER	AR		(.245 INCHES)(6.223 MM)
5	R48776	NUT	1		
6	R100500	SEAL	1		
7	11M7032	COTTER PIN	1		

THIS PARTS LISTING IS CONTINUED

This as a preview PDF file from best-manuals.com



Download full PDF manual at best-manuals.com