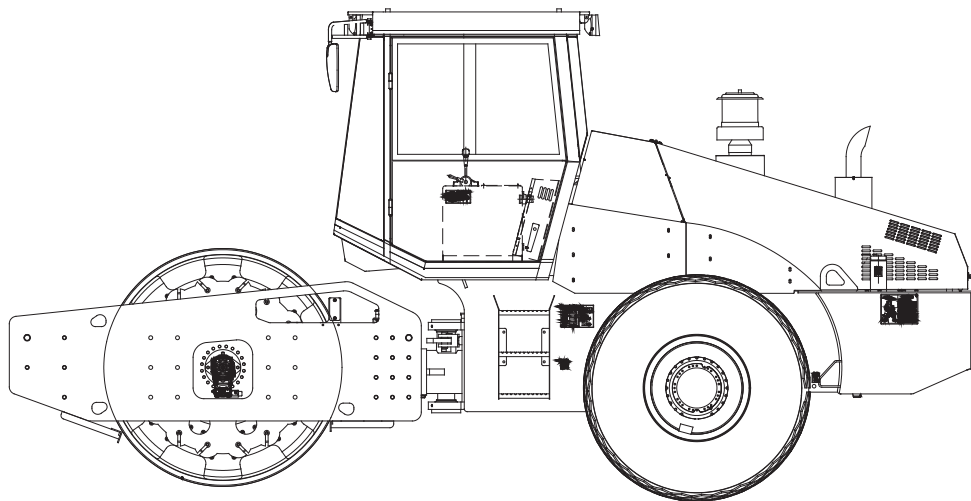


Quality Changes the World



# Single Drum Roller

## SSR150C-8



**Parts Book**



# Parts Book



**SSR150C-8**

**Roller**

---

Equipment No.      YZ1115CB1102



## **Overview**

This book provides illustrations and parts listings required to properly identify and order replaceable parts on your Sany machine.

If this book becomes damaged, lost or illegible, request a replacement copy from your Sany distributor.

In case you sell this machine, be sure to give this parts book to the new owner.

Improvements in the design may lead to changes in detail which may not be indicated in this book. Always consult your Sany distributor for the latest available information on your equipment or if you have questions regarding information in this book.

## **Storing this parts book**

This publication applies only to this specific machine and should not be used with any other machines.

Always keep this book available for reference.

## **Contact Details**

SANY Industry Town, Economic and Technological Development Zone, Changsha, Hunan China 410100

Tel: 0731-84031888

Fax: 0731-84031999

Service Hotline: 4008 87 8318

Complaint Hotline: 4008 87 9318

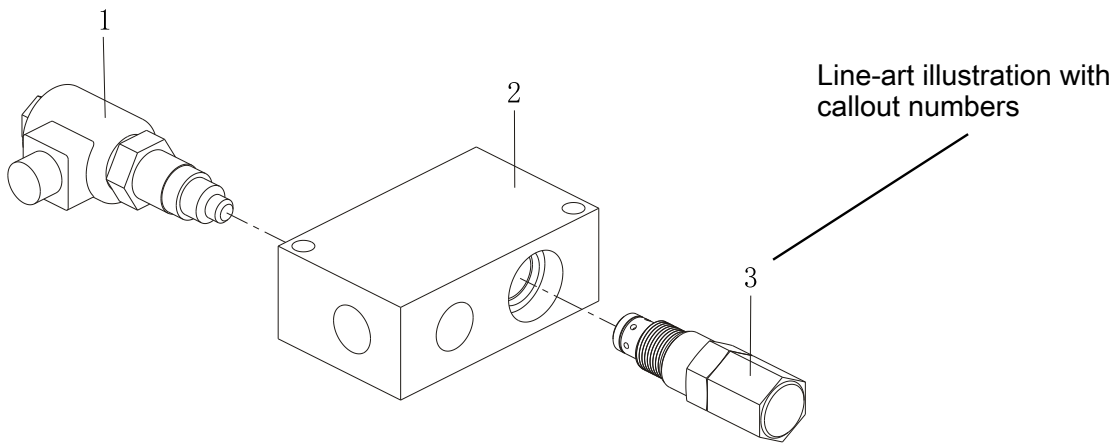
Email: Sanyservice@sany.com.cn

Website: www.sanyglobal.com

## **Sany Group Service Information System**

<http://sis.sanygroup.com>

Page header with parts code, and parts description



Page footer with page number, chapter title, machine model and product name

Page header with parts code, and parts description

INDEX: that matches callout numbers on previous illustration page

SEE PAGE: for page information of the part or assembly

INDEX	PART NO.	DESCRIPTION	QTY	SEE PAGE
1	B220401000459	Valve Assembly, Solenoid	1	
2	A820103010415	Change Valve Block, Cooling Oil Motor	1	
3	B220400000083	Relief Valve	1	

PART NO.: to be used along with DESCRIPTION to identify the part or assembly

DESCRIPTION: to be used along with PART NO. to identify the part or assembly

QTY: it indicates the number of each part used in this assembly

Page footer with page number, chapter title, machine model and product name

BLANK PAGE



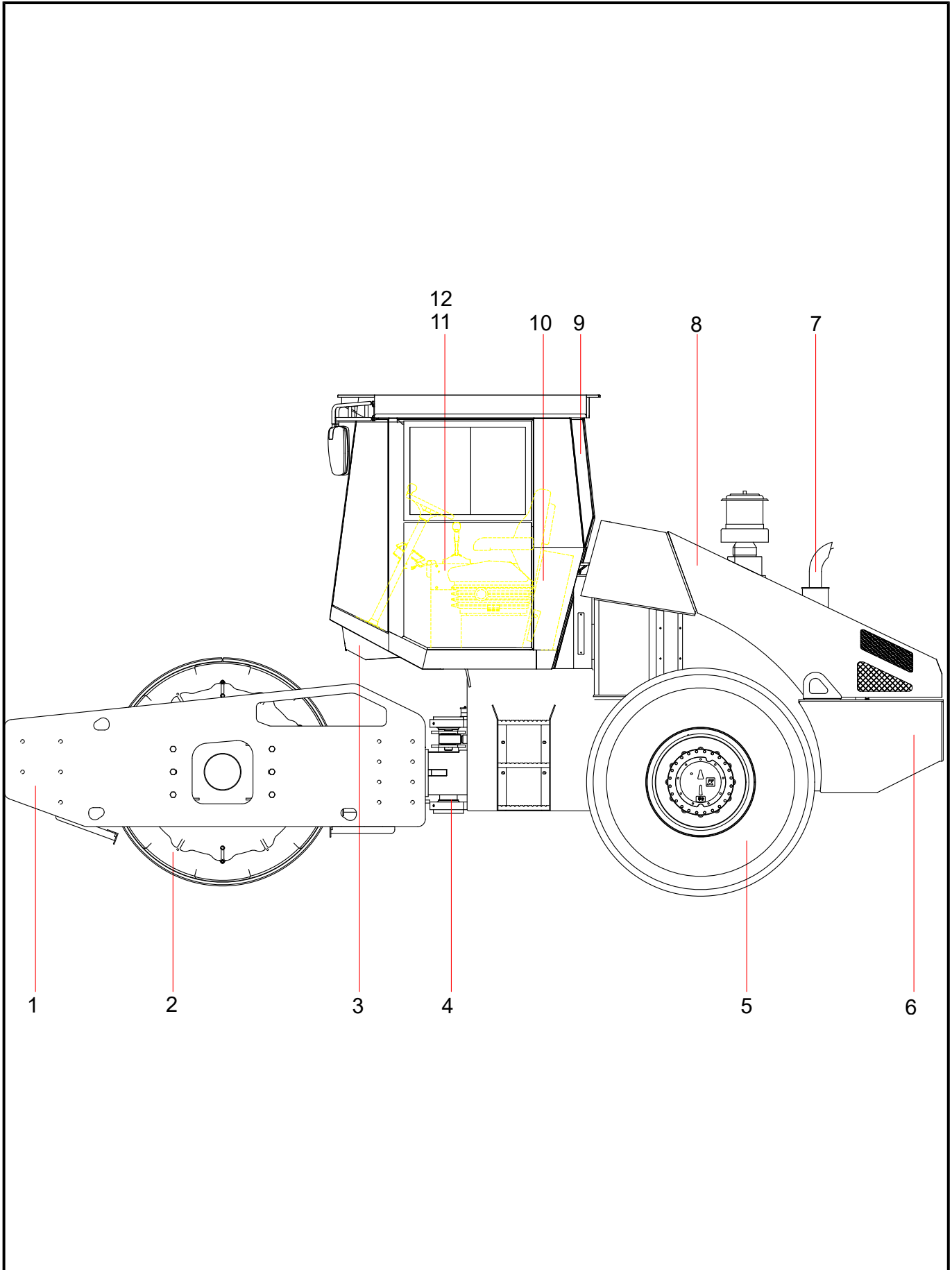
# Table of Contents

<b>Group 1 SSR150C-8 Sany Single Drum Roller Body .....</b>	<b>1-1</b>
14539168 SSR150C-8 Sany Single Drum Roller Body .....	1-2
<b>Group 2 Front carriage assembly .....</b>	<b>2-1</b>
YLJ004574713 Front carriage assembly .....	2-2
<b>Group 3 Roller drum assembly .....</b>	<b>3-1</b>
YLJ004576659 Roller drum assembly .....	3-2
B220501000213 Vibration Motor .....	3-10
<b>Group 4 Hydraulic system AS .....</b>	<b>4-1</b>
YLJ004596950 Hydraulic system AS .....	4-2
YLJ004596889 Front traveling motor component .....	4-4
13307572 Vibratory motor assembly .....	4-6
13348818 Triple pump for driving,vibrating and steering .....	4-8
YLJ004856214 Rear traveling motor component .....	4-10
YLJ004596794 Hose assembly of vibratory system .....	4-12
YLJ004856111 Oil-returning block assem. ....	4-14
13309201 Steering Gear Assembly .....	4-16
YLJ004596762 Pipeline, traveling hydraulic system .....	4-18
<b>Group 5 Center Articulation Frame .....</b>	<b>5-1</b>
14216920 Center Articulation Frame .....	5-2
A810201064605 Steering Cylinder .....	5-4
<b>Group 6 Rear axle AS .....</b>	<b>6-1</b>
YLJ004576993 Rear axle AS .....	6-2
60258501 Rear Axle .....	6-4
13438364 Tyre assembly .....	6-8
<b>Group 7 Rear carriage assembly .....</b>	<b>7-1</b>
YLJ004579915 Rear carriage assembly .....	7-2
13216762 Battery box assembly .....	7-4
<b>Group 8 Engine system .....</b>	<b>8-1</b>
13522389 Engine system .....	8-2
13522358 Cooling assembly .....	8-4
13522366 air intake& exhaust system .....	8-6
13522352 Engine installation .....	8-8

60273256 Engine.....	8-10
13520945 Pump connection .....	8-12
13522378 Oil-in circuit assembly .....	8-14
<b>Group 9 Hood assembly.....</b>	<b>9-1</b>
13349880 Hood assembly.....	9-2
13420876 Cold-blast bin Assembly .....	9-6
13351938 Covering Parts.....	9-8
13307553 Lock mechanism .....	9-10
12548048 Connecting rod mechanism.....	9-12
13425889 Pulldown Device, Hood .....	9-14
<b>Group 10 Cab Assembly .....</b>	<b>10-1</b>
YLJ004575674 Cab Assembly .....	10-2
14484303 Cab preassembly .....	10-4
14186321 Seat Instrument panel assembly .....	10-6
14481523 JRSR10 cab subassembly .....	10-8
14481524 JRSR10 Cab Sub Body.....	10-10
14416340 Electirc system .....	10-12
11710459 Assembly, bracket, rearview mirror.....	10-14
14483970 Inner&outer-decoration Assembly .....	10-16
<b>Group 11 Air conditioning system.....</b>	<b>11-1</b>
YLJ004576155 Air conditioning system .....	11-2
141501000133B Combination Radiator Assembly.....	11-6
<b>Group 12 Control side box assembly.....</b>	<b>12-1</b>
YLJ004575564 Control side box assembly .....	12-2
13352079 Display Mounting Rack .....	12-4
YLJ004575449 Control box assembly.....	12-6
<b>Group 13 Electrical system assembly of roller.....</b>	<b>13-1</b>
YLJ004609076 Electrical system assembly of roller .....	13-2
13210318 Power supply AS .....	13-4
YLJ004612216 Electrical Control box assembly.....	13-6
YLJ004612156 Electrical harness assembly.....	13-8
13528451 Frame Harness.....	13-10

# Group 1

## SSR150C-8 Sany Single Drum Roller Body

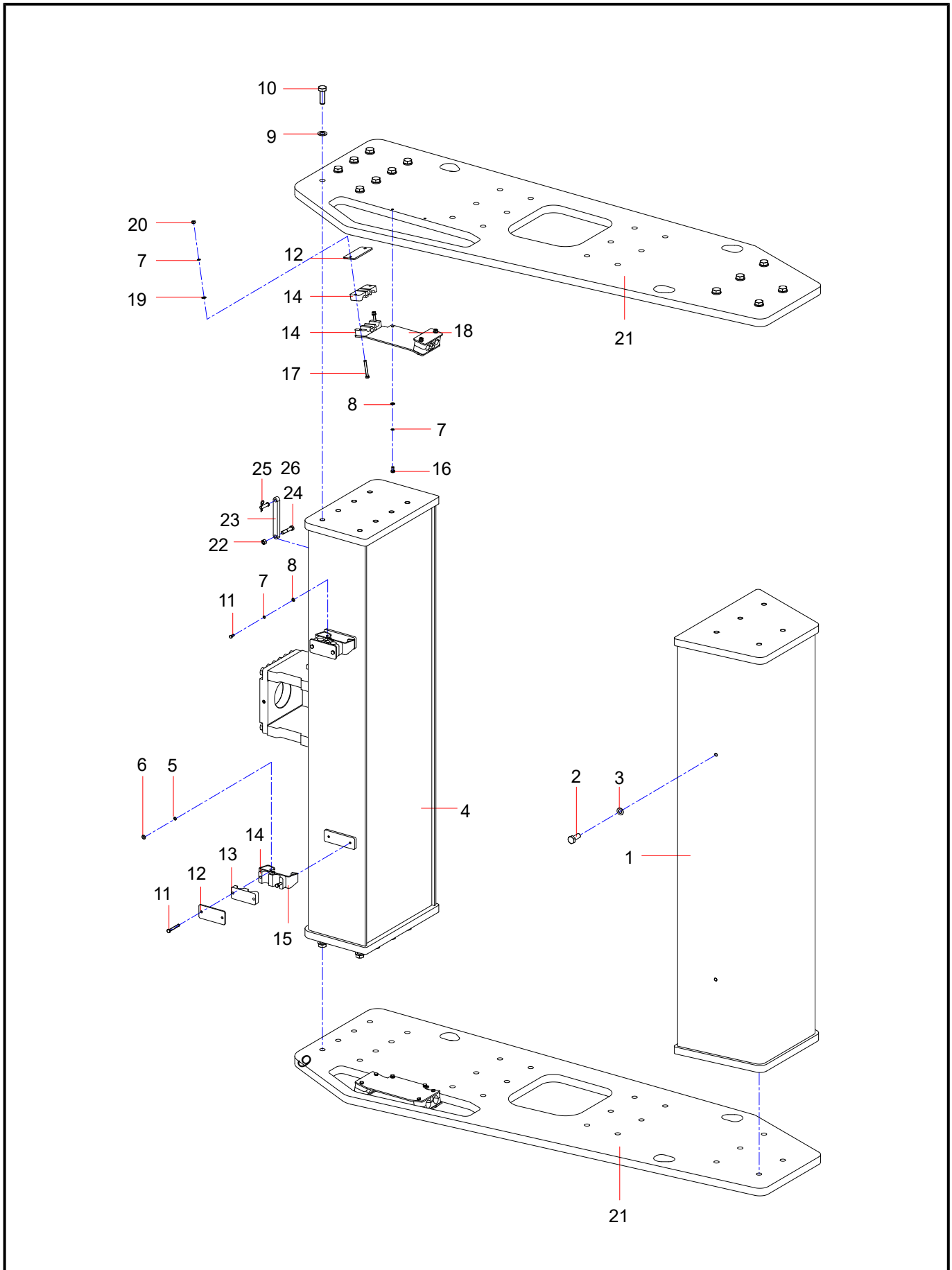


INDEX	PART NO.	DESCRIPTION	QTY	SEE PAGE
1	YLJ004574713	Front carriage assembly	1	2-2
2	YLJ004576659	Roller drum assembly	1	3-2
3	YLJ004596950	Hydraulic system AS	1	4-2
4	14216920	Center Articulation Frame	1	5-2
5	YLJ004576993	Rear axle AS	1	6-2
6	YLJ004579915	Rear carriage assembly	1	7-2
7	13522389	Engine system	1	8-2
8	13349880	Hood assembly	1	9-2
9	YLJ004575674	Cab Assembly	1	10-2
10	YLJ004576155	Air conditioning system	1	11-2
11	YLJ004575564	Control side box assembly	1	12-2
12	YLJ004609076	Electrical system assembly of roller	1	13-2

BLANK PAGE

## Group 2

# Front carriage assembly



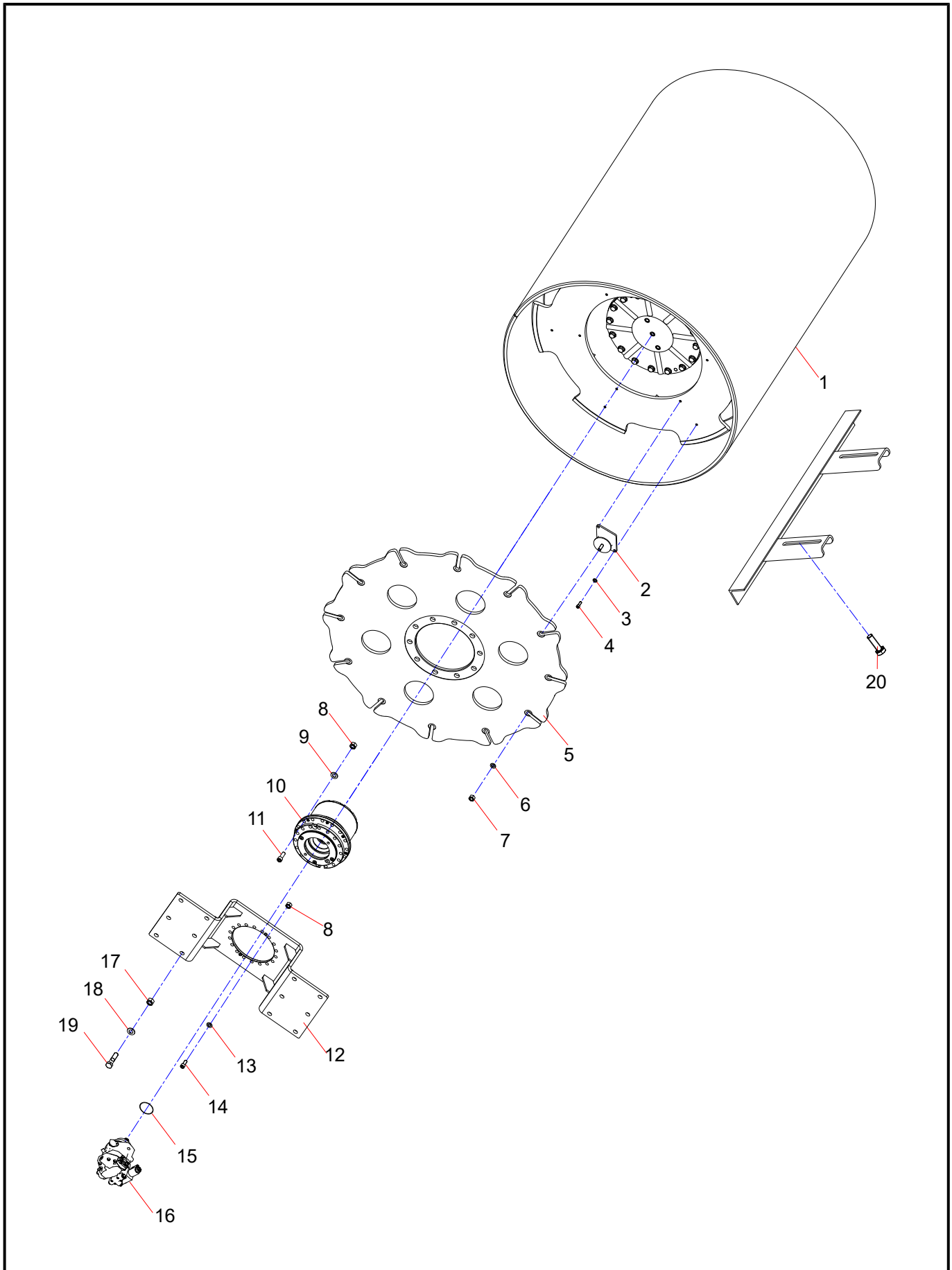


INDEX	PART NO.	DESCRIPTION	QTY	SEE PAGE
1	13486241	Front deckle board	1	
2	A210111000011	Bolt	4	
3	A210401000004	Washer	16	
4	YLJ004571829	Rear Frame Plate welding assembly	1	
5	A210401000017	Washer	4	
6	A210405000007	Washer	4	
7	A210401000001	Washer	16	
8	A210405000011	Washer	16	
9	A210405000009	Washer	27	
10	A210111000200	Bolt	26	
11	A210111000295	Bolt	12	
12	10994336	Cover Board, Tube Clamp	6	
13	12886376	Tube Clamp	6	
14	12886328	Tube Clamp	6	
15	11629053	Bracket	2	
16	A210111000343	Bolt	4	
17	A210110000240	Bolt	1	
18	10994711	Plate, Protective	2	
19	A210405000003	Washer	16	
20	A210307000017	Nut	12	
21	13212735	Right Side Board	2	
22	A210307000007	Nut	1	
23	11541153	Limit plate	1	
24	A210111000263	Bolt	16	
25	A210508000059	Pin	1	
26	A820301010152	Clamp Pin	1	

BLANK PAGE

## Group 3

# Roller drum assembly



This as a preview PDF file from [best-manuals.com](https://best-manuals.com)



Download full PDF manual at [best-manuals.com](https://best-manuals.com)