

650DLC EXCAVATOR



JOHN DEERE

PARTS CATALOG

650DLC EXCAVATOR

PC9547 (Jul-12) English

Worldwide Construction and Forestry Division

Litho in U.S.A (Revised)
COPYRIGHT © 2012
DEERE & COMPANY
Moline, Illinois
All rights reserved

650D LC Excavator

TX1070302A A.1



TX1070302A

650D LC Excavator

(Manufactured 2006 —)

(Specifications and design are subject to change without notice)

To the Customer

The part numbers in this parts catalog were correct at the time your catalog was published. It is our policy to constantly improve our machines, and therefore, part numbers may change. When ordering parts, verify part numbers through your dealer.

SI Units of Measure

Metric dimensions are given, where applicable, throughout this parts catalog.

Bolt and Cap Screw Strength Identification

Bolts and cap screws required to have high-strength qualities equivalent to SAE grade 8 are identified throughout this catalog by the description HS SAE 8 (10.9 for metric). All standard bolts and cap screws are SAE grade 5 (metric 8.8) or lower.

Serial Number Listing Information

Serial number information is listed to show on which machines each part can be used; for example:

- **The part can be used on all products.**
- 000000** - **The part can be used on products beginning with the serial number listed.**
- **000000** **The part can be used on products up to and including the serial number listed.**
- 000000** - **000000** **The part can be used on products between and including the serial number listed.**

When XXXXXX's are listed in place of a serial number, a serial number change was made, but the exact serial number was not available when the catalog was produced.

If product identification numbers or serial numbers are required for warranty claims or correspondence pertaining to this product, it is extremely important that all characters be furnished. This point cannot be overemphasized.

Direction Arrow

Arrows are used with illustrations to indicate the front of the unit. "Right-Hand" and "Left-Hand" sides are determined by facing in direction of machine forward travel.

Box-enclosed Illustrations

A key number, shown in the parts list, is assigned to a box enclosing all parts sold as a service assembly. A box not keyed includes non-current parts.

Complete Goods Listings

Complete Goods are listed in bold face type. Order separately. Do not include on replacement part order.

Orientation of Engine

"Right Hand" and "Left Hand" sides are determined by standing at the flywheel and facing the engine.

John Deere Reman Components

The service parts listed in this catalog are intended for the repair of original equipment components. Although most service parts may be used to repair remanufactured components, the remanufacturing process may change parts sufficiently so that service parts are inadequate or not usable.

Bucket Teeth

Additional bucket replacement parts can be found in the bucket components catalog. PC 9555 bucket teeth

Product Identification Number

TX1070309 A.1



TX1070309

First Line	Designates
FF	Manufacturer — John Deere
650	Model
DX	Configuration
123456	Serial Number (Example)
Second Line	Designates
EXCAVATOR	Unit Type

Serial Number Location

Each 650D LC excavator has seven serial number plates: A product identification number plate, an engine serial number plate, a hydraulic pump serial number plate, a left-hand travel device serial number plate, a right-hand propel motor serial number plate, a swing motor serial number plate and a control valve serial number plate.

The Product Identification plate is located at the front of the upper structure to the right of the cab.

The Engine Serial Number Plate is located on the right side of the Cylinder Block near the starter.

The Hydraulic Pump serial number plate is located near the front of the Hydraulic Pump

The Swing Motor serial number plate is located on the top of the Swing Motor.

The Right Travel Device serial number plate is located on the left-hand of the Motor.

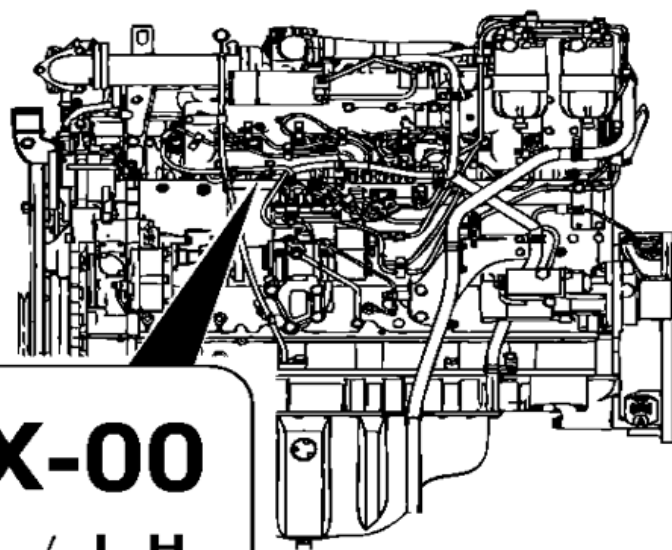
The left travel device serial number plate is located on the right-hand of the motor

The control valve serial number plate is located on the upper left-hand side of the control valve.

If product identification numbers or serial numbers are required for warranty claims or correspondence pertaining to this product. It is extremely important that all characters be furnished. This point cannot be overemphasized.

Engine Serial Number Information

TX1070300 A.1





TX1070300

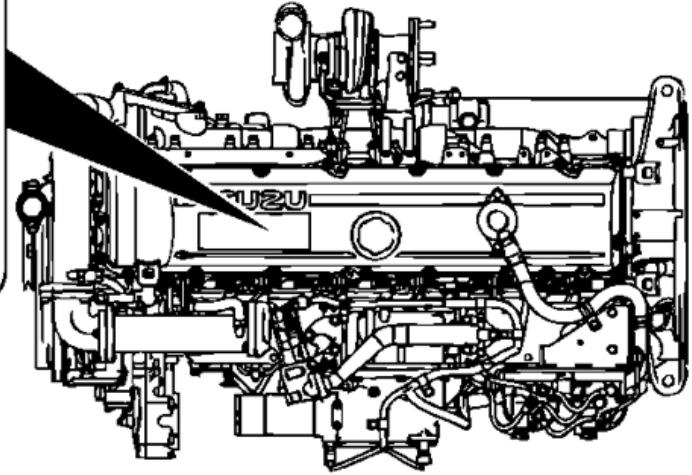
Serial Number Plate

The engine serial number together with the engine model is stamped on the front side of the cylinder block, to the left of the fuel injection pump.

Emission Control Label

TX1070569 A.1

ISUZU		IMPORTANT ENGINE INFORMATION ISUZU MOTORS LTD. MADE IN JAPAN	
ENGINE FAMILY NAME	XXXXXX		
ENGINE TYPE	XXXXXXXX		
ENGINE I.D. NUMBER	XXXX-XXXX		
TYPE APPROVAL NUMBER			
e4*97/68EA*97/68*00XX*00			
	BAR CODE		P. NO. XXXXXXXXX



TX1070569

Emission Control Label

The engine model may be found on the engine emission control label located on top of the cylinder head cover.

Trademarks

Throughout this parts catalog, you may find the following Deere and Company trademarks:

Best Bid™	CounterParts™	DEERE™ (Deere™)
Dura-Trax™	Fanggs™	Guardian™
HTH™	Jagz™	JDLink™
MARKS™	MIC™ [Machine Information Center]	MTH™
Power Curve™	PowerIlel™	PowerShift Plus™
Powerwize™	POWR SAVR™	PowrShift™
ProPath™	Quad-Cool™	Quik-Tatch™
SC-2™	Side-Tracker™	Stinger™
StructureALL™	Swamper™	TMC™ [Total Machine Control]
ValueSelect™	Waratah™	Worksite Pro™
FlexBox™	Funk™	iTorque™
Phoenix™	Phoenix International™	PowerTech™
PowerTech™ E	PowerTech™ M	PowerTech™ Plus
Precision Joint™	SHIFT-O-MATIC™	SWEDA™ (Super Wide Extreme Dual Axle)
TeamMate™	TeamMate™ II	TeamMate™ IV
TMII™	TMIII™	

Remarks and Abbreviations

The following remarks and abbreviations may appear throughout this parts catalog. Refer to the following table for translations.

Phrase	Meaning	Phrase	Meaning
ALSO ORDER, ORD W/	Also Order	MFWD	Mechanical Front Wheel Drive
AMP	Ampere	NA, NOT USED THIS APPL	Not used in this application
APPL, APPL ONLY	This application only	NLA	No longer available
AR	As required	NSEP	Not available separately
ASSY	Complete assembly	OD	Outside diameter
BOAC	Bolt-on cutting edge	OPTIONAL	Optional
CCW	Counterclockwise	OR	Or
COMPLETE	Complete	ORD, ORDER	Order
COMPLETE GOODS	Complete goods	OS	Oversize
CONVENIENCE ASSY, CA	Convenience assembly	OUTER	Outer
CTL, CUT TO LENGTH	Cut to length	PKG, PACKG	Package, Packet of
CW	Clockwise	PTO	Power Take Off
ENGINE	Engine	RATIO	Ratio
FOR	For	REAR	Rear
FRONT	Front	REMAN	Remanufactured
GAS	Gasoline	REPL	Replaces
HFWD	Hydraulic Front-Wheel Drive	RH	Right-hand
HP	Horsepower	SN	Serial number
HS, HEAD MARKED	High Strength, head marked	STD	Standard
ID	Inside diameter	SUB	Replaced by
INCH	Inch	SUB COMPONENTS	Substitute components (of the kit or assy)
INCL KEYS	Includes keys...	SUB FOR	Substitutes for
INCL, INCLUDES	Includes...	TEETH, Z	Number of gear teeth
INCLUDES PARTS/ ITEMS MARKED	Includes parts/items marked...	TK	Thickness
INNER	Inner	UP, UPPER	Upper
KIT	Kit	US	Undersize
L	Number of links	USE UNTIL EXHAUSTED	Use until exhausted
LF, LINE FILL	Line Fill	USE WITH	Use with
LGP	Low Ground Pressure	VEC	Vehicle Electronic Controller
LGTH	Length	VLC	Vehicle Load Center
LH	Left-hand	W/	With
LOW, LOWER	Lower	W/O	Without
LT	Long Track	WHOLE GOODS	Whole Goods
MAKE FROM, MF	Make from	WT	Wide Track
MARKED	Marked	XLT	Extra Long Track
MATCHED SET	Matched set		

Table of Contents

01 Wheels & Tires & Tracks	
0130 Track Systems	26
02 Axles, Differentials & Suspension Systems	
0260 Hydraulic System	38
04 Engine	
0400 ENGINE	50
0401 Crankshaft And Main Bearing	52
0402 Crankshaft And Valve Actuating Means	54
0404 Cylinder Block	60
0407 Engine Oiling System	62
0408 Ventilating System	70
0409 Cylinder Head, Valves And Exhaust Valve Brake	74
0410 Exhaust Manifold	80
0413 Fuel Injection System	82
0414 Intake Manifold	94
0416 Turbocharger	96
0417 Water Pump	98
0418 Thermostats, Housing & Water Piping	104
0419 Engine Oil Cooler	106
0420 Fuel Filter	108
0429 Fan Drive (Damper, Idler, Pulleys, & Belt)	114
0432 Finish Assembly, Engine	116
0433 Flywheel, Housing & Fastenings	124
0452 Gasket Replacement Kits	126
05 Engine Auxiliary System	
0510 Engine Cooling Systems	132
0520 Intake System	158
0530 External Exhaust Systems	162
0560 External Fuel Supply Systems	166
0574 Wiring Harnesses And Switches	180
13 Miscellaneous Vehicle	
1320 Vehicle Finish & Trim	184
1370 Lubrication Systems	192
16 Vehicle Electrical Systems	
1671 Batteries, Support & Cables	196
1673 Vehicle Lighting System	198
1674 Wiring Harness And Switches	212
17 Frame Chassis Or Supporting Structure	
1740 Frame Installation	242
18 Operator's Station	
1810 Operator Enclosure	254
1821 Seat And Seat Belts	302
1830 Heating & Air Conditioning	314
19 Sheet Metal & Styling	
1910 Hood Or Engine Enclosure	332
20 Safety, Convenience & Miscellaneous	
2001 Radio	360
2002 Mirror	362
2004 Warning Devices Including Horn & Reverse Alarm	364
26 Global Vehicle Communication	
2600 Global Positioning System	366
33 Backhoe & Excavator	

Table of Contents - Continued

3302 Bucket With Teeth.....	372
3315 Controls Linkage.....	396
3340 Backhoe & Excavator Frames	414
3344 Boom	426
3361 Hydraulic Pump	432
3362 Control & Load Holding Valves	448
3363 Lines, Hoses & Fittings.....	476
3364 Hydraulic Reservoir	584
3365 Hydraulic Cylinders.....	592
43 Swing, Rotation Or Pivoting System	
4360 Hydraulics	608

Alphabetical Index

	Page		Page
3.00 in. Seat Belt Kit.....	312		
A			
ACCESS DOOR, AIR CLEANER.....	334		
Adapter, For Esco Ultralok™ (Hammerless) Teeth.....	394		
Adapter, TK600 Series Tooth System.....	390		
Adapter, TK700 Series Tooth System.....	392		
ADJUSTER, TRACK CHAIN.....	32		
AIR BREATHER, ENGINE VENTILATION SYSTEM.....	70		
Air Cleaner.....	158		
AIR CLEANER ACCESS.....	334		
AIR CLEANER ELEMENT.....	158		
Air Cleaner Hoses and Bracket.....	160		
AIR CONDITIONER.....	314, 318		
Air Conditioner / Heater.....	318		
Air Conditioner / Heater (Components).....	314		
Air Conditioner / Heater Duct.....	328		
Air Conditioner and Heater Hoses.....	320		
Air Conditioner Compressor.....	326		
AIR CONDITIONER COMPRESSOR BELT.....	322		
Air Conditioner Compressor Mounting and Drive Belt.....	322		
AIR CONDITIONER CONDENSOR.....	324		
AIR CONDITIONER HOSE.....	322		
AIR CONDITIONER HOSES.....	320		
AIR CONDITIONER SYSTEM, ENGINE COMPARTMENT.....	322		
AIR CONDITIONER/HEATER FILTER.....	328		
Air Conditioning Condenser.....	324		
AIR DUCT, AIR CONDITIONER/HEATER.....	318, 328		
AIR HEATER CONTROLLER.....	318		
AIR HOSE (COOLING PACKAGE SIDE).....	152		
AIR HOSE (ENGINE SIDE).....	150		
AIR INLET.....	94		
AIR SUSPENSION, SEAT.....	302		
AIR TEMPERATURE INTAKE SENSOR.....	218		
AIR TEMPERATURE SENSOR, INTAKE MANIFOLD.....	94		
AIR TUBE (COOLING PACKAGE SIDE).....	152		
AIR TUBE (ENGINE SIDE).....	150		
AIRSPRING KIT, SEAT.....	302		
ALARM, TRAVEL.....	364		
ALARM, TRAVEL WARNING.....	236		
ALTERNATOR.....	116		
Alternator Components.....	118		
Alternator Mounting and Idler Pulley.....	114		
ANTENNA, GPS.....	266		
Antenna, JDLINK™ (Field Kit).....	368		
Antenna, JDLINK™ Ultimate (GTT / MIG).....	366		
ANTENNA, RADIO.....	266		
ARM CYLINDER.....	596		
Arm Cylinder Components.....	596		
ARM HYDRAULIC CYLINDER KIT.....	596		
Arm Hydraulic Lines (Long Arm).....	552		
Arm Hydraulic Lines (Mass Excavating).....	550		
Arm Hydraulic Lines (Semi-Long Arm).....	548		
Arm Hydraulic Lines (Standard).....	546		
ARM HYDRAULIC LINES TO CYLINDER (LONG).....	552		
ARM HYDRAULIC LINES TO CYLINDER (MASS EXCAVATING).....	550		
ARM HYDRAULIC LINES TO CYLINDER (SEMI-LONG).....	548		
ARM HYDRAULIC LINES TO CYLINDER (STD).....	546		
ARM IN PRESSURE SENSOR.....	526		
Arm Link.....	424		
Arm Lubricate Lines (Long).....	568		
Arm Lubricate Lines (Mass Excavating).....	566		
Arm Lubricate Lines (Semi-Long).....	564		
Arm Lubricate Lines (Standard).....	562		
ARM LUBRICATION HOSES (LONG).....	568, 570		
ARM LUBRICATION HOSES (MASS EXCAVATING).....	566		
ARM LUBRICATION HOSES (SEMI-LONG).....	564		
ARM LUBRICATION HOSES (STD).....	562		
ARM OUT PRESSURE SENSOR.....	526		
Arm, Long (5.3m).....	420		
Arm, Mass Excavating 2.9m.....	418		
ARM, MASS EXCAVATING, BUCKET CYLINDER COMPONENTS.....	600		
ARM, ROCKER, CAMSHAFT.....	54		
ARM, SEMI-LONG (4.2M).....	416		
Arm, Standard (3.6m).....	414		
ARM, WINDSHIELD WIPER.....	260		
ARMATURE, STARTER.....	122		
ARMREST.....	306		
ASHTRAY.....	282		
Attenuator Lines.....	498		
AUXILIARY CONTROL PILOT CONTROLLER GRIP.....	400		
AUXILIARY CONTROL SWITCH.....	232		
		B	
		Barometric Pressure Sensor.....	116, 222
		BASE, SEAT.....	306
		BATTERY.....	196
		Battery and Battery Cables.....	196
		BATTERY CABLE.....	196
		BATTERY COVER.....	346
		BATTERY WIRING HARNESS.....	196
		BEARING, CARRIER TRACK ROLLER.....	26
		BEARING, LOWER TRACK ROLLER.....	28
		BEARING, TRACK IDLER.....	30
		BEARING, SWING.....	246
		BEARINGS, ROD, CRANKSHAFT.....	52
		BEARINGS, WATER PUMP.....	98
		BELT, AIR CONDITIONER COMPRESSOR.....	322
		BELT, COOLING FAN.....	114
		BELT, SEAT.....	310
		BELT, SEAT (3.00 INCH).....	312
		BLADE, WINDSHIELD WIPER.....	260
		BLOCK, CYLINDER.....	60
		BOOM COMPONENTS.....	430
		BOOM CYLINDER LINES.....	496
		BOOM CYLINDER LINES TO CONTROL VALVE.....	494
		BOOM CYLINDER, LEFT.....	594
		BOOM CYLINDER, RIGHT.....	592
		BOOM DOWN PRESSURE SENSOR.....	526
		BOOM FOOT PIN.....	242
		Boom Hydraulic Lines (9.2m).....	582
		Boom Hydraulic Lines (Mass Excavating).....	544
		Boom Hydraulic Lines (Standard).....	542
		BOOM HYDRAULIC LINES TO CYLINDER (10M).....	582
		BOOM HYDRAULIC LINES TO CYLINDER (MASS EXCAVATING).....	544
		BOOM HYDRAULIC LINES TO CYLINDER (STD).....	542
		BOOM LIGHT.....	430
		BOOM LIGHT (RIGHT).....	210
		BOOM LIGHT WIRING HARNESS (RIGHT).....	210
		Boom Lubricate Lines (Automatic) (Long Boom).....	560
		Boom Lubricate Lines (Long Boom).....	558
		Boom Lubricate Lines (Mass Excavating).....	556
		Boom Lubricate Lines (Standard).....	554
		BOOM LUBRICATION HOSES (LONG).....	558
		BOOM LUBRICATION HOSES (LONG) (AUTOMATIC).....	558
		BOOM LUBRICATION HOSES (MASS EXCAVATING).....	556
		BOOM LUBRICATION HOSES (STD).....	554
		BOOM PIN.....	244
		Boom Pins and Light.....	430
		BOOM UP PRESSURE SENSOR.....	526
		BOOM WIRING HARNESS.....	430
		Boom Work Light and Wiring Harness (Right).....	210
		BOOM, LONG (9.2 M).....	428
		BOOM, MASS EXCAVATING (6.8M).....	426
		BOOM, STANDARD (7.8M).....	426
		BOOST SENSOR, ENGINE.....	94
		BOOT, PILOT CONTROLLER.....	400
		BOTTOM COVER (COUNTERWEIGHT REMOVAL).....	348
		Bottom Cover (Heavy Duty).....	350
		BOTTOM COVER (HEAVY DUTY) KIT.....	350
		Bottom Cover (Standard).....	348
		BOX, BATTERY.....	346
		BOX, CIRCUIT.....	196
		BRACKET, AIR CLEANER.....	160
		BRACKET, AIR CONDITIONER COMPRESSOR.....	322
		BRACKET, CAB FLOOR.....	290
		BRACKET, CAB WIRING HARNESS.....	236
		BRACKET, CARRIER TRACK ROLLER.....	26
		BRACKET, CIRCUIT BOX.....	196
		BRACKET, COVER, HYDRAULIC TANK AND FILTER.....	584
		BRACKET, FAN DRIVE MOTOR.....	136
		BRACKET, FUEL FILTER.....	112
		BRACKET, LOWER TRACK ROLLER.....	28
		BRACKET, LUBRICATOR PUMP.....	192
		BRACKET, MONITOR.....	214
		BRACKET, OIL SEPARATOR.....	70
		BRACKET, RADIO.....	360
		BRACKET, RELAY, HEADLIGHTS, FRONT (2 LIGHTS).....	198
		BRACKET, RELAY, HEADLIGHTS, FRONT (4 LIGHTS).....	200
		BRACKET, RELAY, HEADLIGHTS, REAR.....	204
		BRACKET, RIGHT PILOT CONTROLLER WIRING HARNESS.....	232
		BRACKETS, CAB.....	270
		BRACKETS, CONTROL VALVE.....	448
		BRAKE VALVE COMPONENTS.....	44
		BRAKE VALVE, TRAVEL MOTOR.....	42
		BRAKE VALVE, TRAVEL MOTOR COMPONENTS.....	44

Alphabetical Index - Continued

	Page		Page
BREATHING, AIR, ENGINE VENTILATION SYSTEM	70	CATCH, DOOR	264
BRUSH ASSEMBLY, STARTER	122	CENTER JOINT	38
Brush Terminal, Alternator	118	CENTER JOINT LINES TO SWING MOTOR	520
BUCKET CURL PRESSURE SENSOR	526	CENTER JOINT TO SOLENOID VALVE (PILOT SYSTEM)	516
BUCKET CYLINDER COMPONENTS (LONG ARM)	606	CHAIN ADJUSTER, TRACK	32
BUCKET CYLINDER COMPONENTS (MASS EXCAVATING ARM)	600	CHAIN DRIVE GEAR, TRACK	40
Bucket Cylinder Components (Mass Excavating)	600	CHAIN GUIDE, TRACK	34
Bucket Cylinder Components (Standard and Semi Long Arm)	598	CHAIN IDLER, TRACK	30
BUCKET CYLINDER COMPONENTS LONG ARM	606	CHAIN, TRACK ASSEMBLY	36
BUCKET CYLINDER COMPONENTS STANDARD AND SEMI-LONG ARM	598	CHECK VALVE (PILOT SYSTEM)	580
BUCKET DUMP PRESSURE SENSOR	526	CHECK VALVE COMPONENTS (PILOT SYSTEM)	580
BUCKET HYDRAULIC CYLINDER KIT (BULK EXCAVATING ARM)	600	CHECK VALVE, PILOT	518
BUCKET HYDRAULIC CYLINDER KIT LONG ARM	606	CIRCUIT BOX COVER	196
BUCKET HYDRAULIC CYLINDER KIT STANDARD AND SEMI-LONG ARM	598	CIRCUIT BOX GROMMET	196
Bucket Link	422	CIRCUIT BOX	196
Bucket Tooth System, TK600 Series	390	CIRCUIT BOX BRACKET	196
Bucket Tooth System, TK700 Series	392	CLAMP, EXHAUST	162, 164
BUCKET, EXTREME DUTY PLATE LIP	386, 388	CLAMPS, MAIN AND ENGINE WIRING HARNESS (- 953088)	224
BUCKET, HEAVY DUTY	378, 380	CLAMPS, MAIN AND ENGINE WIRING HARNESS (SN 953089-) (953089 -)	226
BUCKET, HEAVY DUTY HIGH CAPACITY	372, 374	CLIPS, WIRING HARNESS (SN -953088) (- 953088)	224
BUCKET, HEAVY DUTY HIGH CAPACITY MASS EXCAVATING	376	CLIPS, WIRING HARNESS (SN 953089-) (953089 -)	226
Bucket, Truck Loading	384	COMPONENTS, BRAKE VALVE	44
BUCKET, TRUCKLOADING	382	COMPONENTS, ELECTRIC	222
BUSHING, TRACK CHAIN ASSEMBLY	36	COMPONENTS, FAN DRIVE MOTOR	138
BUSHINGS, CAB	270	COMPONENTS, MAIN AND ENGINE WIRING HARNESS (- 953088)	224
BUSHINGS, MAIN FRAME	244	COMPONENTS, MAIN AND ENGINE WIRING HARNESS (SN 953089-) (953089 -)	226
		COMPONENTS, RELIEF VALVE FOR STANDARD FAN CONTROL VALVE	156
C		COMPONENTS, ROTARY GROUP, FAN DRIVE MOTOR	140
Cab	256	COMPRESSOR KIT, SEAT, 24V	302
CAB AIR VENT COVER	268	COMPRESSOR, AIR CONDITIONER	326
Cab Components (Brackets, Bushings and Stoppers)	270	COMPUTER KIT, MACHINE INFORMATION CENTER	234
Cab Components (Cab Light, Antenna and Speakers)	266	CONDENSOR, AIR CONDITIONER	324
Cab Components (Door Catch)	264	CONNECTOR KIT, NINE PIN	230
Cab Components (Door)	262	CONNECTOR KIT, SERVICE ADVISOR™	230
Cab Components (Glass, Wiper Arm, and Door)	260	CONNECTOR REPAIR KIT	236
Cab Components (Handrail, Guard Bars)	268	CONNECTOR, FUEL INJECTOR	120
Cab Components (Handrail, Guard Bars, Vent Cover)	268	Console	278
CAB COMPONENTS (SUNROOF, SHADE, AND HEAD LINER)	272	Console Cover	280
Cab Components (Sunroof, Shade, and Headliner)	272	CONSOLE, CONTROL	236
Cab Components (Windshield Assembly)	258	CONTROL CONSOLE	236
CAB DOOR COMPONENTS	262	Control Manifold and Hydraulic Pressure Sensors	220
CAB DOOR LOCK	262	CONTROL SENSOR, HYDRAULIC PUMP	218
CAB DOOR WEATHERSTRIP	262	Control Valve	448
CAB DOOR WINDOW GLASS	262	CONTROL VALVE (COMPLETE)	448
CAB FLOOR MAT	284	Control Valve Body and Spools (4 Spool Side)	456
Cab Floor Parts (1) of (2)	290	CONTROL VALVE BODY AND SPOOLS (4-SPOOL)	456
Cab Floor Parts (2) of (2)	292	Control Valve Body and Spools (5 Spool Side)	450
CAB FLOOR PLATE	288	CONTROL VALVE BODY AND SPOOLS (5-SPOOL)	450
Cab Floor Plate Hardware	286	CONTROL VALVE BOTTOM TO PILOT SIGNAL MANIFOLD, HYDRAULIC LINES	506
CAB GUARD, FOPS	298	CONTROL VALVE BRACKETS	448
CAB GUARD, OPG	300	CONTROL VALVE COMPONENTS, PILOT	396
CAB INFORMATION CONTROLLER	236	CONTROL VALVE COVER	342
Cab Inside Right Cover	282	Control Valve End Caps (4 Spool Side)	460
CAB ISOLATORS	254	Control Valve End Caps (5 Spool Side)	454
CAB MAIN CONTROLLER	236	CONTROL VALVE HOSES TO RESERVOIR (PILOT SYSTEM)	516
CAB MIRROR	362	CONTROL VALVE LINE TO PILOT LINE REMOVAL DEVICE	572
Cab Mounts	254	CONTROL VALVE LINES TO COOLING PACKAGE	482
CAB TO FLOOR PLATE HARDWARE	286	CONTROL VALVE LINES TO HYDRAULIC PUMP	478
Cab Vandal Protection	274	CONTROL VALVE LINES TO OIL TANK	480
Cab Wiring Harness and Components	236	CONTROL VALVE LINES TO REMOVAL DEVICE CYLINDER	574
CAB WIRING HARNESS BRACKET	236	CONTROL VALVE LINES TO SWING MOTOR	490
CAB WIRING HARNESS GROUND STRAPS	236	CONTROL VALVE O-RINGS (4-SPOOL TO 5-SPOOL)	454
CAB WIRING HARNESS RELAYS	236	CONTROL VALVE SPOOLS (4-SPOOL)	456
CAB, CONSOLE	278	CONTROL VALVE TO BOOM CYLINDER LINES	494
CAB, HEADLINER	272	CONTROL VALVE TO ROTARY MANIFOLD	492
CAB, COMPLETE	256	CONTROL VALVE TOP TO MANIFOLD HYD LINES (SN 953022-953063) (953022 - 953063)	510
CABLE, BATTERY	196	CONTROL VALVE TOP TO PILOT SIGNAL MANIFOLD, HYD LINES (SN -953021) (- 953021)	508
CABLE, DOOR CATCH RELEASE	264	CONTROL VALVE TOP TO PILOT SIGNAL MANIFOLD, HYD LINES (SN 953064-) (953064 -)	512
CABLE, ENGINE STOP	182	CONTROL VALVE, COUNTERWEIGHT REMOVAL	410
CABLE, GROUND	236	CONTROL VALVE, PILOT CONTROL	400
CABLE, MACHINE INFORMATION CENTER	234	CONTROL VALVE, STANDARD FAN	154
Camshaft	54	CONTROL, SINGLE PEDAL PROPEL	412
Camshaft Gear	56	CONTROLLER COMPONENTS, TRAVEL PILOT	398
CAP, FUEL TANK	166	CONTROLLER, AIR CONDITIONER/HEATER	318
CAP, OIL FILLER, ENGINE	74	CONTROLLER, AUXILIARY CONTROL	232
CAP, RADIATOR	132		
Carrier Roller	26		

Alphabetical Index - Continued

	Page		Page
CONTROLLER, ENGINE	116	Crankshaft	52
CONTROLLER, HEATER AIR	318	CRANKSHAFT FLYWHEEL	52
CONTROLLER, INFORMATION	212, 236	CRANKSHAFT PULLEY	52
Controller, JDLINK™ Modular Telematics Gateway	370	Cylinder Block	60
Controller, JDLINK™ Satellite Module	370	CYLINDER BLOCK, FAN DRIVE MOTOR COMPONENTS	138
Controller, JDLINK™ Ultimate (GTT / MIG)	366	CYLINDER BLOCK, ROTARY GROUP COMPONENTS, FAN DRIVE MOTOR	140
CONTROLLER, MACHINE INFORMATION CENTER	234	CYLINDER COMPONENTS, ARM	596
CONTROLLER, MAIN	236	CYLINDER COMPONENTS, BUCKET (MASS EXCAVATING ARM)	600
CONTROLLER, PILOT	400	CYLINDER COMPONENTS, BUCKET LONG ARM	606
CONTROLLER, PILOT; RIGHT HANDLE	232	CYLINDER COMPONENTS, BUCKET STANDARD AND SEMI-LONG ARM	598
CONTROLLER, UNIT	212	Cylinder Head	76
Controllers	212	Cylinder Head Components	78
CONVERTER (24-VOLT TO 12-VOLT)	216	CYLINDER HEAD COVER	74
COOLER (INTER)	132	CYLINDER HEAD COVER AND GASKETS	74
COOLER, EGR (EXHAUST GAS RECIRCULATION)	72	Cylinder Head Covers and Gaskets	74
COOLER, FUEL	178	CYLINDER HEAD GASKET	74, 76
COOLER, HYDRAULIC OIL	132	CYLINDER LINES, ARM HYDRAULIC (LONG)	552
COOLER, OIL	106	CYLINDER LINES, ARM HYDRAULIC (MASS EXCAVATING)	550
Cooling Package	132	CYLINDER LINES, ARM HYDRAULIC (SEMI-LONG)	548
COOLING PACKAGE COVER	356	CYLINDER LINES, ARM HYDRAULIC (STD)	546
COOLING PACKAGE FAN	136	CYLINDER LINES, BOOM HYDRAULIC (10M)	582
COOLING PACKAGE FRAME	132	CYLINDER LINES, BOOM HYDRAULIC (MASS EXCAVATING)	544
Cooling Package Hoses and Mounting	134	CYLINDER LINES, BOOM HYDRAULIC (STD)	542
COOLING PACKAGE, FUEL COOLER	178	CYLINDER, ARM	596
COOLING PACKAGE, FUEL SYSTEM HOSES (SN -953079) (-953079)	170	CYLINDER, COUNTERWEIGHT REMOVAL DEVICE	602, 604
COOLING PACKAGE, FUEL SYSTEM HOSES (SN 953080-) (953080-)	172	CYLINDER, LEFT BOOM	594
COOLING PACKAGE, FUEL SYSTEM HOSES (SN 953080-) (CONTINUED) (953080-)	174	CYLINDER, LINES, BOOM	496
CORE, RADIATOR	132	CYLINDER, REMOVAL DEVICE, TO CONTROL VALVE LINE	574
Counterweight	248	CYLINDER, RIGHT BOOM	592
Counterweight (Removal Device)	250		
Counterweight High Pressure Lines (Removal Device)	574	D	
Counterweight Lifting Device	252	DATA LINK CONNECTOR WIRE HARNESS	180
Counterweight Mounting, With Removal Device	250	DDU (DIAGNOSTIC DISPLAY UNIT)	228
COUNTERWEIGHT PILOT LINES (REMOVAL DEVICE)	572	DECAL, IGNITION KEY SWITCH	280
COUNTERWEIGHT REMOVAL BOTTOM COVER	348	DECAL, PILOT SHUTOFF	280
COUNTERWEIGHT REMOVAL COMPONENTS	252	DECALS	184, 186
Counterweight Removal Control Valve	410	DECALS (FRENCH)(SPANISH)	188
COUNTERWEIGHT REMOVAL DEVICE	250	DECALS (FRENCH)(SPANISH)(CONTINUED)	190
Counterweight Removal Device Cylinder	602, 604	Delivery Lines	478
COUNTERWEIGHT REMOVAL LIFTING DEVICE	252	DELIVERY SENSOR, HYDRAULIC PUMP	218
COUNTERWEIGHT REMOVAL PILOT CONTROL VALVE COVER	410	DIAGNOSTIC DISPLAY UNIT	228
COUNTERWEIGHT REMOVAL PILOT CONTROL VALVE LEVER	410	DIAGNOSTIC HARNESS (DR.ZX)	234
Counterweight Removal Pilot Valve Components	408	Digging and Travel Sensor Manifolds	526
COUNTERWEIGHT REMOVAL PIN	252	DIGGING SENSOR MAINFOLD LINES TO PILOT SIGNAL MANIFOLD	522
COUPLER COMPONENTS, FUEL INJECTION PUMP	90	DIGGING SENSOR MANIFOLD	526
COUPLING COMPONENTS, FUEL INJECTION PUMP	90	DIGGING SENSOR MANIFOLD LINES TO RIGHT PILOT CONTROLLER	534
Cover (Center Front Top)	342	DIODE, WIRING HARNESS (- 953088)	224
Cover (Rear Left Side)	332	DIODE, WIRING HARNESS (SN 953089-) (953089 -)	226
Cover Frame	354	DIPSTICK, OIL	62
COVER, AIR CLEANER ACCESS	334	DIPSTICK, SWING MOTOR OIL	608
Cover, Alternator	118	DOME LIGHT	266
COVER, BATTERY	346	DOOR CATCH	264
COVER, BOTTOM (COUNTERWEIGHT REMOVAL)	348	DOOR, AIR CLEANER ACCESS	334
COVER, BOTTOM (HEAVY DUTY) KIT	350	DOOR, CAB	260
COVER, BOTTOM (STANDARD)	348	DOOR, CAB: COMPONENTS	262
COVER, CAB AIR VENT	268	DOOR, PUMP COVER	334
COVER, CAB FLOOR	292	DOOR, SIDE PUMP COVER	332
COVER, CAB INTERIOR; REAR TRAY	330	DOUBLE FUEL PRE-FILTER CONVERSION KIT (SN -953079) (953080 -)	172
COVER, CIRCUIT BOX	196	DR.ZX DIAGNOSTIC HARNESS	234
COVER, CONSOLE	280	DRAIN HOSE, OIL PAN	62
COVER, CONTROL VALVE	342	DRAIN HOSES, SWING MOTOR GEARBOX	610
COVER, COOLING PACKAGE	356	Drain Lines	484
COVER, COUNTERWEIGHT REMOVAL PILOT CONTROL VALVE	410	Drain Lines (Hydraulic Pump)	500
COVER, CYLINDER HEAD	74	Drain Lines (Hydraulic Pump, Rotary Manifold and Swing Motor)	488
COVER, ENGINE	336	Drain Lines (Oil Tank)	486
COVER, ENGINE COMPARTMENT	338	DRAIN LINES (ROTARY MANIFOLD AND SWING MOTORS)	488
COVER, FAN DRIVE MOTOR COMPONENTS	138	DRAIN LINES, HYDRAULIC PUMP	484, 500
Cover, Hose, Counterweight Removal Lifting Device	252	DRAIN VALVE, FUEL TANK	166
COVER, HYDRAULIC RESERVOIR	340	DRIVE COVER, TRAVEL MOTOR	48
COVER, LEFT SIDE PUMP	332	DRIVE GEAR, ENGINE OIL PUMP	64
COVER, RADIATOR	356	DRIVE GEAR, TRAVEL MOTOR	40
COVER, REAR TRAY LID	330	DRIVE LIGHT	222
COVER, RIGHT CAB INSIDE	282	DRIVE MOTOR, FAN	136
COVER, TIMING GEAR	58	DRYER-RECIEVER (A/C)	324
COVER, TIMING GEAR ACCESS	58	DUCT (RADIATOR)	356
COVER, TRAVEL MOTOR HYDRAULIC LINES	48		
COVER, UTILITY BOX	344		
Covers (Rear Upper Left Side)	334		

Alphabetical Index - Continued

	Page		Page
DUCT, AIR CONDITIONER/HEATER	318, 328	Fan Drive Motor Hoses	142
DUCT, RADIATOR	356	FAN DRIVE MOTOR LINES	142
DUCT, REAR TRAY	330	FAN DRIVE MOTOR MOUNTING	136
		Fan Drive Pump	444
E		FAN GUARD	132
ECU	116, 228	FAN MOTOR COMPONENTS	138
EGR COOLER (EXHAUST GAS RECIRCULATION)	72	FAN PULLEY	114
EGR VALVE (EXHAUST GAS RECIRCULATION)	72	FAN PUMP (HYDRAULIC)	444
Electric Components	222	Fan Reversing Control Valve	144
ELECTRICAL COMPONENTS WIRING HARNESS (SN -953088) (- 953088)	224	Fan Reversing Control Valve Components	146
ELECTRICAL COMPONENTS WIRING HARNESS (SN 953089 -) (953089 -)	226	FAN REVERSING SOLENOID	146
Electronic Control Unit	370	FAN REVERSING SOLENOID VALVE	144
ELEMENT, AIR CLEANER	158	FAN REVERSING SWITCH	240
ELEMENT, ENGINE OIL FILTER	106	FAN REVERSING VALVE	144
ELEMENT, FILTER; FUEL AND WATER SEPARATOR	110	FAN REVERSING WIRING HARNESS	240
ELEMENT, FUEL FILTER	108	Fan Reversing Wiring Harness and Switch	240
END CAPS, CONTROL VALVE (4-SPOOL SIDE)	460	FAN, COOLING PACKAGE	136
END CAPS, CONTROL VALVE (5-SPOOL SIDE) (4-SPOOL SIDE)	454	Fast Fuel System Kit	168
Engine	50	FIELD INSTALL OPTION, NON STANDARD EQUIPMENT, FUEL PREFILTER (953082 -)	176
ENGINE BOOST SENSOR	94	FILLER CAP, ENGINE OIL	74
ENGINE BRACKET, AIR CONDITIONER COMPRESSOR	322	FILTER ELEMENT, AIR CLEANER	158
ENGINE COMPARTMENT COVER	338	FILTER ELEMENT, FUEL AND WATER SEPARATOR	110
ENGINE CONTROL UNIT	228	FILTER ELEMENT, HYDRAULIC TANK AND FILTER	584
Engine Control Unit	228	FILTER HEAD, ENGINE OIL	106
ENGINE CONTROL UNIT	116	FILTER, AIR CLEANER; ACCESS DOOR	334
Engine Cover	336	Filter, Engine Oil	68
ENGINE CYLINDER BLOCK	60	FILTER, ENGINE OIL	106
ENGINE EXHAUST GAS RECIRCULATION SYSTEM	72	FILTER, FRESH AIR	328
Engine Gasket Replacement Kit (1 of 2)	126	FILTER, FUEL	108
Engine Gasket Replacement Kit (2 of 2)	128	FILTER, FUEL AND WATER SEPARATOR	110
Engine Head Gasket Replacement Kit	130	FILTER, FUEL AND WATER SEPARATOR (953082 -)	176
ENGINE MOUNT, HYDRAULIC PUMP	432	FILTER, FUEL AND WATER SEPARATOR (SN -953079) (- 953079)	170
Engine Mounts	50	FILTER, FUEL AND WATER SEPARATOR (SN 953080 -) (953080 -)	172
ENGINE OIL FILTER	106	FILTER, FUEL AND WATER SEPARATOR (SN 953080 -) (CONTINUED) (953080 -)	174
Engine Oil Lines	68	FILTER, FUEL SYSTEM PRE-FILTER	110
Engine Oil Pump	64	FILTER, FUEL; FUEL AND WATER SEPARATOR (953082 -)	176
Engine Oil Sampling Kit	588	FILTER, FUEL; FUEL AND WATER SEPARATOR (SN -953079) (- 953079)	170
ENGINE PRESSURE SENSOR	116	FILTER, FUEL; FUEL AND WATER SEPARATOR (SN 953080 -) (953080 -)	172
Engine Side Shields	338	FILTER, FUEL; FUEL AND WATER SEPARATOR (SN 953080 -) (CONTINUED) (953080 -)	174
ENGINE SPEED SENSOR	124	FILTER, FUEL, LINES	112
ENGINE STOP CABLE	182	FILTER, HYDRAULIC LINES TO RESERVOIR	504
Engine Stop Cable w/ Switch	182	FILTER, HYDRAULIC OIL	486
ENGINE STOP HARNESS	182	FILTER, HYDRAULIC OIL TANK	584
ENGINE STOP SWITCH	182	Filter, Hydraulic Oil, Components	576
ENGINE TEMPERATURE SENSOR	116	FILTER, PILOT (COMPLETE)	504
ENGINE THERMO SENSOR	218	FILTER, PRECLEANER; AIR CLEANER	158
ENGINE THERMOSTAT	104	FILTER, RECIRCULATING AIR	318
ENGINE UNIT, CONTROL	228	FINAL DRIVE COVER, TRAVEL MOTOR	48
ENGINE VENTILATION SYSTEM	70	FITTINGS, CYLINDER BLOCK	60
ENGINE WATER OUTLET PIPE	104	FITTINGS, HYDRAULIC OIL RESERVOIR	586
Engine Water Temperature Sensor	78	FITTINGS, MECHANICAL PATTERN CHANGER VALVE	536
Engine Wire Harness	180	FITTINGS, PILOT SIGNAL MANIFOLD (CONTROL VALVE SIDE)	468
ENGINE WIRING HARNESS (SN -953088) (- 953088)	224	FITTINGS, PILOT SIGNAL MANIFOLD (PILOT CONTROLLER SIDE)	466
ENGINE WIRING HARNESS (SN 953089 -) (953089 -)	226	Flared Esco Ultralok™ (Hammerless) Teeth	394
ENGINE, RIGHT SIDE UPPER COVER	336	Float, Fuel Filter	108
Esco Ultralok™ (Hammerless) Teeth and Adapters	394	FLOAT, FUEL TANK	166
EVAPORATOR, AIR CONDITIONER	314	Floor Mat	284
EXHAUST CLAMP	162, 164	FLOOR PARTS (1) OF (2), CAB	290
EXHAUST GAS RECIRCULATION SYSTEM	72	FLOOR PARTS (2) OF (2), CAB	292
Exhaust Gas Recirculation System (EGR)	72	Floor Plate	288
Exhaust Manifold	80	FLOOR PLATE TO CAB HARDWARE	286
EXHAUST PIPE	162, 164	FLOOR PLATE, CAB	288
EXHAUST PIPE GASKET	162, 164	Flow Control Valve	578
Exhaust Valve Insert, Cylinder Head	78	FLOW CONTROL VALVE COMPONENTS	578
EXHAUST VALVE, CAMSHAFT	54	FLOW CONTROL VALVE, AIR CONDITIONER / HEATER	314
EXIT, SECONDARY	276	Flywheel Housing	124
Extreme Duty Plate Lip Bucket	386, 388	FLYWHEEL, CRANKSHAFT	52
Extreme Penetration Esco™ (Hammerless) Teeth	394	FOOTREST, TRAVEL PILOT CONTROL VALVE LEVER	404
		FOPS	298
F		FRAME, BUSHINGS	244
Falling Object Protection Kit	298	FRAME, COOLING PACKAGE	132
FAN BELT, COOLING FAN	114	FRAME, COVER	354
FAN CONTROL VALVE, STANDARD	154	FRAME, MAIN	242
FAN DRIVE MOTOR	136	FRAME, UNDERCARRIAGE	34
Fan Drive Motor and Mounting	136	FRAME, WINDSHIELD	258
Fan Drive Motor Components	138		

Alphabetical Index - Continued

	Page		Page
FRENCH LABELS	188	GEAR, STARTER	122
FRENCH LABELS (CONTINUED)	190	GEARBOX, SWING	614
FRESH AIR FILTER	328	GEARBOX, TRAVEL MOTOR	40
Front Headlights Wiring Harness (2 Lights)	198	GLASS, CAB	260
Front Headlights Wiring Harness (4 Lights)	200	GLASS, CAB DOOR	262
Front Headlights Wiring Harness (Cab)	202	Globaltracs Terminal, JDLINK™ Ultimate (MIG / GTT)	366
FRONT LIGHTS (2 LAMP)	206	GLOW PLUG RELAY	116
Front Lights (2 Light)	206	GLOW PLUG, CYLINDER HEAD	76
FRONT LIGHTS (4 LAMP)	208	GPS ANTENNA	266
Front Lights (4 Light)	208	GREASE GUN	194
FRONT PLATE GASKET, TIMING GEAR	58	GRIP, PILOT CONTROLLER LEVER	400
Fuel and Water Separator	110	GRIP, PILOT SHUTOFF LEVER	406
FUEL AND WATER SEPARATOR (953082 -)	176	GRIP, TRAVEL PILOT CONTROL VALVE LEVER	404
FUEL AND WATER SEPARATOR (SN 953080-) (953080 -)	172	GROMMET, CIRCUIT BOX	196
FUEL AND WATER SEPARATOR (SN 953080-) (CONTINUED)		GROMMET, FLOOR PLATE	288
(953080 -)	174	GROUND CABLE	236
Fuel Cooler	178	GROUND STRAP, STARTER	116
Fuel Filter	108	GROUND STRAPS, CAB WIRING HARNESS	236
FUEL FILTER BRACKET	112	GROUSER, TRACK CHAIN ASSEMBLY	36
FUEL FILTER HOSES	112	GUAGE, SIGHT, HYDRAULIC OIL TANK	584
Fuel Filter Lines	112	GUARD BARS (SIDE WINDOW)	268
FUEL FLOAT ASSEMBLY, FAST FUEL SYSTEM KIT	168	GUARD, FAN	132
FUEL INJECTION LINE	88	GUARD, FOPS	298
Fuel Injection Pump	92	GUARD, OPG	300
FUEL INJECTION PUMP	86	GUARD, TRAVEL MOTOR HYDRAULIC LINES	48
FUEL INJECTION PUMP COMPONENTS	92	GUIDE, TRACK	34
Fuel Injection Pump Coupler Components	90	GUN, GREASE	194
FUEL INJECTION PUMP COUPLING COMPONENTS	90		
Fuel Injection Pump Drive Components	84	H	
Fuel Injection Pump Drive Gear and Hardware	82	HAMMER, ESCAPE	266
Fuel Injection System (1 of 2)	86	HAND HOLDS	358
Fuel Injection System (2 of 2)	88	HANDHOLD	268
Fuel Injector Wire Harness and Connector	120	HANDHOLD (HYDRAULIC PUMP COMPARTMENT)	334
FUEL PRE-FILTERS ADDITIONAL (953082 -)	176	HANDLE	242
Fuel Prefilter Field Install Option (Non Standard Equipment) (953082 -)	176	HANDLE, AUXILIARY CONTROL	232
FUEL PREFILTER FIELD INSTALL OPTION (NON STANDARD EQUIPMENT) (953082 -)	176	HANDLE, CAB DOOR	262
FUEL PUMP	86	HANDLE, DOOR CATCH	264
FUEL SHUTOFF SOLENOID, WIRING HARNESS (- 953088)	224	HANDLE, FRAME	244
FUEL SHUTOFF SOLENOID, WIRING HARNESS (SN 953089-)	226	HANDLE, LEFT PILOT CONTROL	402
(953089 -)	226	HANDLE, SECONDARY EXIT	276
FUEL SYSTEM COOLER	178	HANDLE, WINDSHIELD	258
Fuel System Hoses (- 953079)	170	Handrail	352
Fuel System Hoses (953080 -)	172, 174	HANDRAIL	268
FUEL SYSTEM HOSES (953082 -)	176	HANDRAIL (HYDRAULIC PUMP COMPARTMENT)	334
FUEL SYSTEM HOSES (SN 953079) (- 953079)	170	Handrail (Hydraulic Reservoir)	340
FUEL SYSTEM HOSES (SN 953080-) (CONTINUED) (953080 -)	174	HANDRAIL (RIGHT SIDE)	352
Fuel Tank	166	HANDRAIL, CAB DOOR	262
FUEL TANK CAP	166	HANDRAIL, SIDE	242
FUEL TANK DRAIN VALVE	166	Handrails	358
FUEL TANK FLOAT	166	HARNESS, BATTERY WIRING	196
FUEL TANK LEVEL SENDING UNIT	166	HARNESS, BOOM LIGHT WIRING (RIGHT)	210
FUEL TANK STRAINER	166	HARNESS, BOOM WIRING	430
FUEL TANK, HANDRAIL	352	HARNESS, CAB WIRING AND COMPONENTS	236
FUEL TEMPERATURE SENSOR, INJECTION PUMP	92	HARNESS, DOME LIGHT	266
FUEL WATER SEPARATOR (SN -953079) (- 953079)	170	HARNESS, ELECTRICAL COMPONENTS WIRING (SN -953088) (- 953088)	224
FUSE, LUBRICATOR	194	HARNESS, ELECTRICAL COMPONENTS WIRING (SN 953089-) (953089 -)	226
FUSE, SEAT HEATER WIRING HARNESS	308	HARNESS, ENGINE STOP	182
FUSED LINK FOR WIRING HARNESS (- 953088)	224	HARNESS, RADIO WIRING	360
FUSED LINK FOR WIRING HARNESS (SN 953089-) (953089 -)	226	HARNESS, SPEAKER	266
FUSED LINK, MAIN WIRING HARNESS	196	HARNESS, WINDSHIELD WIPER	258
FUSIBLE LINK	196	HARNESS, WIRE, DATA LINK CONNECTOR	180
		HARNESS, WIRE, ENGINE	180
G		HARNESS, WIRE, FUEL INJECTOR	120
GAS RECIRCULATION SYSTEM, EXHAUST	72	Harness, Wire, JDLINK™ Ultimate (GTT / MIG)	366
GASKET KIT, ENGINE (1 OF 2)	126	HARNESS, WIRING; AUXILIARY CONTROL	232
GASKET KIT, ENGINE (2 OF 2)	128	HARNESS, WIRING, MONITOR	214
GASKET KIT, ENGINE, HEAD	130	HARNESS, WIRING; RIGHT PILOT CONTROLLER	232
GASKET, AIR CLEANER	158	HEAD GASKET REPLACEMENT KIT	130
GASKET, CYLINDER HEAD	74, 76	HEAD LAMP	206, 208
GASKET, EXHAUST PIPE	162, 164	HEAD, CYLINDER	76
GASKET, FRONT PLATE, TIMING GEAR	58	Head, Cylinder, Components	78
GASKET, OIL PAN	62	HEAD, ENGINE OIL FILTER	106
GASKET, WATER PUMP	98	HEADLIGHTS, FRONT (2 LIGHTS) WIRING HARNESS	198
GAUGE, OIL LEVEL, OIL PAN	62	HEADLIGHTS, FRONT (4 LIGHTS) WIRING HARNESS	200
GAUGE, ENGINE CONTROL UNIT	228	HEADLIGHTS, FRONT, CAB, WIRING HARNESS	202
GEAR PUMP	446	HEADLIGHTS, REAR	204
GEAR, CAMSHAFT	56	HEADLIGHTS, REAR WIRING HARNESS	204
GEAR, DRIVE, ENGINE OIL PUMP	64	HEADLIGHTS, REAR, SWITCH	204
GEAR, FUEL INJECTION PUMP DRIVE	82	HEADLINER, CAB	272

Alphabetical Index - Continued

	Page		Page
HEATER	314, 318	HOSES, PILOT, (TRAVEL PILOT CONTROL VALVE TO PILOT SHUTOFF VALVE)	530
HEATER CORE	314	HOSES, PILOT, (TRAVEL PILOT CONTROL VALVE TO TRAVEL SENSOR MANIFOLD)	528
HEATER HOSES	320	HOSES, PUMP CASE DRAIN	142
HEATER SWITCH	308	HOSES, RIGHT PILOT CONTROLLER TO PILOT SHUTOFF AND DIGGING SENSOR MANIFOLD	534
HEATER WIRING HARNESS, SEAT	308	HOSES, SOLENOID VALVE TO OIL FILTER	518
HEATER, 24V KIT (SEAT)	302	HOSES, TRAVEL MOTOR HYDRAULIC	46
HEATER, AIR CONTROLLER	318	HOUSING AND GASKETS, PILOT SIGNAL MANIFOLD	462
HEAVY DUTY BOTTOM COVER KIT	350	HOUSING, AIR CLEANER	158
Heavy Duty Bucket	378, 380	HOUSING, FAN DRIVE MOTOR	138
Heavy Duty High Capacity Bucket	372, 374	HOUSING, FAN REVERSING VALVE	146
Heavy Duty High Capacity Mass Excavating Bucket	376	HOUSING, FLYWHEEL	124
HIGH PRESSURE LINES	574	HOUSING, HYDRAULIC OIL TANK AND FILTER	584
HOLDER, BEVERAGE	282	HOUSING, HYDRAULIC PUMP	436
HORN	222	HOUSING, PILOT SHUTOFF VALVE	474
HORN PILOT CONTROLLER GRIP	400	HYDRAULIC FAN PUMP	444
Hose Guard, Counterweight Removal Lifting Device	252	HYDRAULIC FAN PUMP REGULATOR	442
Hose Protector, Removal Lifting Device, Counterweight	252	HYDRAULIC FILTER LINES TO RESERVOIR	504
HOSE, AIR CONDITIONER	322	Hydraulic Hose (Fan Pump To Pump 1) (Reman Regulator)	434
HOSE, BOOM CYLINDER	496	Hydraulic Lines (Arm and Bucket Cylinder)	494
HOSE, CONTROL VALVE TO COOLING PACKAGE	482	Hydraulic Lines (Boom Cylinder)	496
HOSE, CONTROL VALVE TO HYDRAULIC PUMP	478	Hydraulic Lines (Check Valve and Solenoid Valve To Filter)	518
HOSE, CONTROL VALVE TO OIL TANK	480	HYDRAULIC LINES (CONTROL VALVE TO BOOM CYLINDER LINES)	494
HOSE, CONTROL VALVE TO REMOVAL DEVICE CYLINDER	574	Hydraulic Lines (Control Valve To Rotary Manifold)	492
HOSE, CONTROL VALVE TO ROTARY MANIFOLD	492	Hydraulic Lines (Reservoir To Pilot Signal Manifold and Control Valve)	514
HOSE, DRAIN, HYDRAULIC PUMP	484	Hydraulic Lines (Solenoid Valve To Control Valve)	516
HOSE, DRAIN, OIL PAN	62	HYDRAULIC LINES COVER, TRAVEL MOTOR	48
HOSE, FAN REVERSING VALVE TO CONTROL VALVE	144	Hydraulic Lines From Reservoir To Filter	504
HOSE, FROM INTERCOOLER TO INTAKE MANIFOLD	150	HYDRAULIC LINES ON ARM TO CYLINDERS (LONG)	552
HOSE, FROM TURBO TO INTERCOOLER	150	HYDRAULIC LINES ON ARM TO CYLINDERS (MASS EXCAVATING)	550
Hose, Hydraulic (Fan Pump To Pump 1) (Reman Regulator)	434	HYDRAULIC LINES ON ARM TO CYLINDERS (SEMI-LONG)	548
HOSE, HYDRAULIC FILTER TO RESERVOIR	504	HYDRAULIC LINES ON ARM TO CYLINDERS (STD)	546
HOSE, HYDRAULIC PUMP DRAIN	500	HYDRAULIC LINES ON BOOM TO CYLINDERS (10M)	582
HOSE, OIL TANK TO HYDRAULIC PUMP	476	HYDRAULIC LINES ON BOOM TO CYLINDERS (MASS EXCAVATING)	544
HOSE, PILOT SIGNAL MANIFOLD TO RESERVOIR	524	HYDRAULIC LINES ON BOOM TO CYLINDERS (STD)	542
HOSE, PILOT SIGNAL MANIFOLD TO SWING MOTOR	524	HYDRAULIC LINES, CENTER JOINT TO SWING MOTOR	520
HOSE, PILOT SIGNAL MANIFOLD TO TRAVEL SENSOR MANIFOLD	524	HYDRAULIC LINES, PILOT (SOLENOID VALVE TO OIL FILTER)	518
HOSE, REMOVAL DEVICE CYLINDER TO CONTROL VALVE	574	HYDRAULIC LINES, TRAVEL MOTOR	46
HOSE, RESERVE WATER TANK	148	HYDRAULIC MOTOR GEARBOX DRAIN HOSES	610
HOSE, RESERVOIR TO PILOT SIGNAL MANIFOLD	524	HYDRAULIC MOTOR GEARBOX, SWING	614
HOSE, SWING MOTOR FROM CONTROL VALVE	490	HYDRAULIC MOTOR MOUNT, SWING	608
HOSE, SWING MOTOR TO CENTER JOINT	520	HYDRAULIC MOTOR OIL FILL, SWING	608
HOSE, SWING MOTOR TO PILOT SIGNAL MANIFOLD	524	HYDRAULIC MOTOR, SWING	612
HOSE, TRAVEL SENSOR MANIFOLD TO PILOT SIGNAL MANIFOLD	524	HYDRAULIC OIL COOLER	132
HOSE, WATER TANK	148	HYDRAULIC OIL COOLER LINE	134
HOSES AND MOUNTING, COOLING PACKAGE	134	HYDRAULIC OIL FILTER	486
HOSES AND MOUNTING, RADIATOR	134	Hydraulic Oil Filter Components	576
HOSES, AIR CLEANER	160	Hydraulic Oil Reservoir	584
HOSES, ARM HYDRAULIC (LONG)	552	HYDRAULIC OIL RESERVOIR AND FILTER	584
HOSES, ARM HYDRAULIC (MASS EXCAVATING)	550	HYDRAULIC OIL RESERVOIR FILTER	584
HOSES, ARM HYDRAULIC (SEMI-LONG)	548	HYDRAULIC OIL RESERVOIR FITTINGS	586
HOSES, ARM HYDRAULIC (STD)	546	HYDRAULIC OIL RESERVOIR TEMPERATURE SENSOR	584
HOSES, ARM LUBRICATION (LONG)	568, 570	Hydraulic Oil Sampling Kit	590
HOSES, ARM LUBRICATION (MASS EXCAVATING)	566	HYDRAULIC OIL TANK AND FILTER	584
HOSES, ARM LUBRICATION (SEMI-LONG)	564	HYDRAULIC OIL TANK FILTER	584
HOSES, ARM LUBRICATION (STD)	562	HYDRAULIC OIL TANK SIGHT GAUGE	584
HOSES, BOOM HYDRAULIC (10M)	582	HYDRAULIC PRESSURE SENSOR, BOOM CYLINDER	220
HOSES, BOOM HYDRAULIC (MASS EXCAVATING)	544	Hydraulic Pump (Transmission)	436
HOSES, BOOM HYDRAULIC (STD)	542	HYDRAULIC PUMP ATTENUATOR LINES	498
HOSES, BOOM LUBRICATION (LONG)	558	HYDRAULIC PUMP COMPARTMENT	334
HOSES, BOOM LUBRICATION (LONG) (AUTOMATIC)	560	Hydraulic Pump Components	434
HOSES, BOOM LUBRICATION (MASS EXCAVATING)	556	Hydraulic Pump Components (Reman Regulator)	434
HOSES, BOOM LUBRICATION (STD)	554	HYDRAULIC PUMP DRAIN LINES	484, 500
HOSES, CONTROL VALVE TO RESERVOIR (PILOT SYSTEM)	516	HYDRAULIC PUMP HOUSING	436
HOSES, FAN DRIVE MOTOR	142	Hydraulic Pump Lines and Fittings	502
HOSES, FAN DRIVE MOTOR TO CONTROL VALVE	136	HYDRAULIC PUMP LINES TO CONTROL VALVE	478
HOSES, FAN DRIVE PUMP TO CONTROL VALVE	142	HYDRAULIC PUMP LINES TO OIL TANK	476
HOSES, FAST FUEL SYSTEM KIT	168	Hydraulic Pump Mounting	432
HOSES, FUEL SYSTEM (953082 -)	176	HYDRAULIC PUMP PRESSURE SENSOR	218
HOSES, FUEL SYSTEM (SN -953079) (- 953079)	170	Hydraulic Pump Regulator	440
HOSES, FUEL SYSTEM (SN 953080 -) (953080 -)	172	Hydraulic Pump Regulator (Fan Drive)	442
HOSES, FUEL SYSTEM (SN 953080 -) (CONTINUED) (953080 -)	174	Hydraulic Pump Rotating Group	438
HOSES, HEATER	318	HYDRAULIC PUMP TRANSMISSION	436
HOSES, HYDRAULIC PUMP	502	HYDRAULIC PUMP, GEAR	446
HOSES, HYDRAULIC RESERVOIR TO PILOT SIGNAL MANIFOLD AND CONTROL VALVE	514	HYDRAULIC RESERVOIR COVER	340
HOSES, MECHANICAL PATTERN CHANGER	536	HYDRAULIC SHUTOFF VALVE, PILOT	474
HOSES, PILOT (DIGGING SENSOR MANIFOLD TO LEFT PILOT CONTROLLER)	532		
HOSES, PILOT SIGNAL MANIFOLD TO SENSOR MANIFOLDS	522		

Alphabetical Index - Continued

Page	I	L	Page
	I		
	IDLER PULLEY	LABEL, IGNITION KEY SWITCH	114, 280
	IDLER PULLEY, AIR CONDITIONER COMPRESSOR	LABEL, LUBRICATOR	322, 192, 194
	IDLER, TRACK CHAIN	LABEL, PILOT SHUTOFF	30, 280
	IGNITION KEY	LABEL, SECONDARY EXIT	236, 276
	IGNITION KEY SWITCH DECAL	LABELS	280, 184, 186
	IGNITION SWITCH	LABELS (FRENCH)(SPANISH)	236, 188
	IMPELLER, TURBOCHARGER	LABELS (FRENCH)(SPANISH)(CONTINUED)	96, 190
	IMPELLER, WATER PUMP	LABELS AND DECALS	98, 184, 186
	INDICATOR, AIR CLEANER	Labels and Decals (1)	158, 184
	INFORMATION CENTER KIT, MACHINE	Labels and Decals (2)	234, 186
	INFORMATION CONTROLLER	Labels and Decals (French) (Spanish)	212, 236, 188, 190
	INJECTION PUMP COUPLER COMPONENTS, FUEL	LAMP, BOOM	90, 430
	INJECTION PUMP DRIVE COMPONENTS	LAMP, HEAD	84, 206, 208
	INJECTION PUMP DRIVE GEAR AND HARDWARE	LATCH MECHANISM, WINDSHIELD	82, 258
	INJECTION PUMP, FUEL	LEFT BOOM CYLINDER	86, 594
	INJECTION PUMP, FUEL, COMPONENTS	Left Boom Cylinder Components	92, 594
	INJECTION SYSTEM, FUEL (1 OF 2)	Left Pilot Control Handle	86, 402
	INJECTION SYSTEM, FUEL (2 OF 2)	Left Rearview Mirror	88, 362
	Inlet Valve Insert, Cylinder Head	LEFT SIDE, HANDRAIL	78, 340
	INLET VALVE, CAMSHAFT	LEFT SIDE, REAR COVER	54, 332
	INLET, AIR	LEFT TRAVEL PRESSURE SENSOR	94, 526
	Inserts, Valve Seat, Cylinder Head	LEFT, CONSOLE	78, 278
	Intake Manifold	LEVER, COUNTERWEIGHT REMOVAL PILOT CONTROL VALVE	94, 410
	Intake Valve Insert, Cylinder Head	LEVER, DOOR CATCH	78, 264
	INTERCOOLER	LEVER, PILOT CONTROL VALVE	132, 400
	Intercooler Tubing (Cooling Package Side)	LEVER, PILOT SHUTOFF	152, 406
	Intercooler Tubing (Engine Side)	LEVER, TRAVEL PILOT CONTROL VALVE	150, 404
	ISOLATOR, CAB FLOOR	LID, REAR TRAY	290, 330
	ISOLATORS, CAB	LIGHT, BOOM	254, 430
	ISOLATORS, COUNTERWEIGHT	LIGHT, BOOM (RIGHT)	248, 250, 210
		LIGHT, DOME	266
	J	LIGHT, DRIVE	222
	JDLink™ Modular Telematics Gateway	LIGHTER, REAR TRAY	370, 330
	JDLink™ Modular Telematics Gateway and Satellite Module Controller	LIGHTS (2 LAMP), FRONT	370, 206
	JDLink™ MTG Assembly	LIGHTS (4 LAMP), FRONT	368, 208
	JDLink™ Satellite Module	LIGHTS SWITCH, REAR HEAD	370, 204
	JDLink™ Ultimate (GTT and MIG)	LIGHTS, HEAD, FRONT (2 LIGHTS) WIRING HARNESS	366, 198
	JDLink™ Vehicle Integration (MTG) (Field Kit)	LIGHTS, HEAD, FRONT (4 LIGHTS) WIRING HARNESS	368, 200
	JETS, PISTON COOLING, CYLINDER BLOCK	LIGHTS, HEAD, FRONT (CAB) WIRING HARNESS	60, 202
	JOYSTICK	LIGHTS, HEAD, REAR WIRING HARNESS	400, 204
	K	LINE, CONTROL VALVE TO REMOVAL DEVICE CYLINDER	574
	KEY, IGNITION	LINE, FUEL INJECTION	236, 88
	KIT, 3.00 INCH SEAT BELT	LINE, PILOT (PILOT SHUTOFF VALVE TO HYDRAULIC OIL RESERVOIR)	312, 538
	KIT, ARM HYDRAULIC CYLINDER	LINE, PILOT, (PILOT SHUTOFF VALVE TO BULK HEAD)	596, 538
	KIT, BUCKET HYDRAULIC CYLINDER (MASS EXCAVATING ARM)	LINE, REMOVAL DEVICE CYLINDER TO CONTROL VALVE	600, 574
	KIT, BUCKET HYDRAULIC CYLINDER LONG ARM	LINE, RESERVE WATER TANK	606, 148
	KIT, BUCKET HYDRAULIC CYLINDER STANDARD AND SEMI-LONG ARM	LINE, WATER TANK	598, 148
	KIT, CAB VANDAL PROTECTION	LINER, CYLINDER BLOCK	274, 60
	KIT, CONNECTOR REPAIR	LINES, ARM HYDRAULIC (LONG)	236, 552
	KIT, ENGINE OIL SAMPLING	LINES, ARM HYDRAULIC (MASS EXCAVATING)	588, 550
	KIT, FALLING OBJECT PROTECTION	LINES, ARM HYDRAULIC (SEMI-LONG)	298, 548
	KIT, FAN REVERSAL	LINES, ARM HYDRAULIC (STD)	144, 546
	KIT, FAST FUEL SYSTEM	LINES, ARM LUBRICATION (LONG)	168, 568, 570
	KIT, GASKET, ENGINE (1 OF 2)	LINES, ARM LUBRICATION (MASS EXCAVATING)	126, 566
	KIT, GASKET, ENGINE (2 OF 2)	LINES, ARM LUBRICATION (SEMI-LONG)	128, 564
	KIT, GASKET, ENGINE, HEAD	LINES, ARM LUBRICATION (STD)	130, 562
	KIT, HEAVY DUTY BOTTOM COVER	LINES, ATTENUATOR	350, 498
	KIT, HYDRAULIC OIL SAMPLING	LINES, BOOM CYLINDER	590, 496
	KIT, MECHANICAL PATTERN CHANGER	LINES, BOOM HYDRAULIC (10M)	536, 582
	KIT, MIC CONTROLLER	LINES, BOOM HYDRAULIC (MASS EXCAVATING)	234, 544
	KIT, OPERATOR PROTECTION GUARD	LINES, BOOM HYDRAULIC (STD)	300, 542
	KIT, REPAIR, FUEL INJECTION PUMP DRIVE	LINES, BOOM LUBRICATION (LONG)	84, 558
	KIT, RIGHT PILOT CONTROLLER AND WIRING HARNESS	LINES, BOOM LUBRICATION (LONG) (AUTOMATIC)	232, 560
	KIT, SEAL, LEFT BOOM CYLINDER	LINES, BOOM LUBRICATION (MASS EXCAVATING)	594, 556
	KIT, SEAL, RIGHT BOOM CYLINDER	LINES, BOOM LUBRICATION (STD)	592, 554
	KIT, SEAT FOAM	LINES, CONTROL VALVE TO BOOM CYLINDER	302, 494
	KIT, SEAT HARDWARE	LINES, CONTROL VALVE TO COOLING PACKAGE	304, 482
	KIT, SECONDARY EXIT	LINES, CONTROL VALVE TO OIL TANK	276, 480
	KIT, SINGLE PEDAL PROPEL	LINES, CONTROL VALVE TO PILOT LINE REMOVAL DEVICE	412, 572
	KIT, WATER PUMP REPAIR	LINES, CONTROL VALVE TO RESERVOIR (PILOT SYSTEM)	98, 516
	KITS, LABEL (FRENCH)(SPANISH)	LINES, CONTROL VALVE TO ROTARY MANIFOLD	188, 492
	KITS, LABEL (FRENCH)(SPANISH) (CONTINUED)	LINES, DELIVERY	190, 478
		LINES, DIGGING SENSOR MANIFOLD TO PILOT SIGNAL MANIFOLD	522
		LINES, DRAIN (OIL TANK)	486
		LINES, DRAIN (ROTARY MANIFOLD AND SWING MOTORS)	488
		LINES, DRAIN, HYDRAULIC PUMP	484
		Lines, Engine Oil	68
		LINES, FAN DRIVE LINES	142

Alphabetical Index - Continued

Page	Page		
LINES, FAN DRIVE PUMP TO CONTROL VALVE	142	Machine Wiring Harness (- 953088)	224
LINES, FAN REVERSING VALVE TO CONTROL VALVE	144	Machine Wiring Harness (953089 -)	226
LINES, FUEL SYSTEM (953082 -)	176	MAIN CONTROLLER	236
LINES, FUEL SYSTEM (SN -953079) (- 953079)	170	Main Frame	242
LINES, FUEL SYSTEM (SN 953080-) (953080 -)	172	Main Frame Bushings	244
LINES, FUEL SYSTEM (SN 953080-) (CONTINUED) (953080 -) ..	174	MAIN FRAME SIDE STEP	242
LINES, HIGH PRESSURE (REMOVAL DEVICE)	574	MAIN WIRING HARNESS (SN -953088) (- 953088)	224
LINES, HYDRAULIC (RESERVOIR TO PILOT SIGNAL MANIFOLD AND CONTROL VALVE)	514	MAIN WIRING HARNESS (SN 953089-) (953089 -)	226
LINES, HYDRAULIC FILTER TO RESERVOIR	504	MANIFOLD MOUNTING, ROTARY	38
LINES, HYDRAULIC PUMP	502	MANIFOLD STOP, ROTARY	244
LINES, HYDRAULIC PUMP DRAIN	500	MANIFOLD TO CONTROL VALVE TOP HYDRAULIC LINES (SN 953022-953063) (953022 - 953063)	510
LINES, HYDRAULIC PUMP TO CONTROL VALVE	478	MANIFOLD, BOOM LUBRICATION (STD)	554
LINES, OIL COOLER (1 OF 2)	100	MANIFOLD, DIGGING SENSOR	526
LINES, OIL COOLER (2 OF 2)	102	MANIFOLD, EXHAUST	80
LINES, OIL TANK TO HYDRAULIC PUMP	476	MANIFOLD, INTAKE	94
LINES, OIL TANK TO PILOT LINES REMOVAL DEVICE	572	MANIFOLD, PILOT SIGNAL (CONTROL VALVE SIDE)	468
LINES, OIL, TURBOCHARGER	66	MANIFOLD, PILOT SIGNAL (HOUSING AND GASKETS)	462
LINES, PILOT (DIGGING SENSOR MANIFOLD TO LEFT PILOT CONTROLLER)	532	MANIFOLD, PILOT SIGNAL (PILOT CONTROLLER SIDE)	466
LINES, PILOT (TRAVEL PILOT CONTROL VALVE TO PILOT SHUTOFF VALVE)	530	MANIFOLD, PILOT SIGNAL (VALVE SECTION)	464
LINES, PILOT (TRAVEL PILOT CONTROL VALVE TO TRAVEL SENSOR MANIFOLD)	528	MANIFOLD, PILOT SIGNAL, TO CONTROL VALVE BOTTOM, HYDRAULIC LINES	506
LINES, PILOT HYDRAULIC (SOLENOID VALVE TO OIL FILTER) ..	518	MANIFOLD, PILOT SIGNAL, TO CONTROL VALVE TOP, HYDRAULIC LINES (SN -953021) (- 953021)	508
LINES, PILOT, (CONTROL VALVE BOTTOM TO PILOT SIGNAL MANIFOLD)	506	MANIFOLD, PILOT SIGNAL, TO CONTROL VALVE TOP, HYDRAULIC LINES (SN 953064-) (953064 -)	512
LINES, PILOT, (CONTROL VALVE TOP TO MANIFOLD(SN 953022-953063) (953022 - 953063)	510	MANIFOLD, PILOT SIGNAL, VALVES	470
LINES, PILOT, (CONTROL VALVE TOP TO PILOT SIGNAL MANIFOLD)(SN -953021) (- 953021)	508	MANIFOLD, SOLENOID VALVE	472
LINES, PILOT, (CONTROL VALVE TOP TO PILOT SIGNAL MANIFOLD)(SN 953064-) (953064 -)	512	MANIFOLD, SWING BEARING LUBRICANT LINES	540
LINES, PUMP CASE DRAIN	142	MANIFOLD, TRAVEL SENSOR	526
LINES, RETURN	480	Mass Excavating Arm 2.9m	418
LINES, RETURN (CONTROL VALVE TO COOLING PACKAGE) ..	482	MASS EXCAVATING ARM HYDRAULIC LINES	550
LINES, RIGHT PILOT CONTROLLER TO PILOT SHUTOFF AND DIGGING SENSOR MANIFOLD	534	MASS EXCAVATING ARM, BUCKET CYLINDER COMPONENTS ..	600
LINES, SUCTION	476	MASS EXCAVATING BOOM (6.8M)	426
LINES, SWING BEARING LUBE	540	MASS EXCAVATING HEAVY DUTY HIGH CAPACITY BUCKET	376
LINES, SWING MOTOR FROM CONTROL VALVE	490	MAT, CAB FLOOR	284
LINES, SWING MOTOR TO CENTER JOINT	520	Mechanical Pattern Changer Kit	536
LINES, TRAVEL MOTOR HYDRAULIC	46	MECHANICAL PATTERN CHANGER VALVE	536
LINES, TRAVEL SENSOR MANIFOLD TO PILOT SIGNAL MANIFOLD	524	MIC CABLE	234
LINK, ARM	424	MIC CONTROLLER KIT	234
LINK, BUCKET	422	MIRROR, CAB	362
LINK, BUCKET CYLINDER TO BUCKET	422	MIRROR, LEFT REARVIEW	362
LINK, BUCKET HYDRAULIC CYLINDER TO ARM	424	MIRROR, RIGHT REARVIEW	346
LINK, TRACK CHAIN ASSEMBLY	36	Module	370
LINKAGE, COUNTERWEIGHT REMOVAL	252	MONITOR	214
LOCK VALVE TO CAB WIRING HARNESS	236	Monitor and Monitor Wiring Harness	214
LOCK VALVE, SWING	474	MONITOR BRACKET	214
Lock, TK600 Series Bucket Tooth System	390	MOTOR COMPONENTS, FAN DRIVE	138
Lock, TK700 Series Bucket Tooth System	392	MOTOR GEARBOX DRAIN HOSES, SWING	610
LOCK, CAB DOOR	262	MOTOR GEARBOX, SWING	614
Long Arm (5.3m)	420	MOTOR MOUNT, SWING	608
Long Arm 5.3m	420	MOTOR, AIR CONDITIONER / HEATER	314
LONG ARM HYDRAULIC LINES	552	MOTOR, FAN DRIVE	136
Long Boom (9.2m)	428	MOTOR, SWING	612
LOWER RADIATOR HOSE	134	Motor, Travel and Brake Valve Assembly	40
LOWER ROLLER, TRACK	28	MOTOR, TRAVEL COMPONENTS	42
Lower Track Roller	28	MOTOR, WINDOW WASHER	294
LUBE LINE, SWING BEARING	540	MOUNTING BRACKETS, CONTROL VALVE	448
LUBRICANT LINES, SWING BEARING	540	Mounting, Counterweight, With Removal Device	250
Lubricate Lines (Long Arm)	570	MOUNTING, ENGINE CONTROLLER	228
LUBRICATION LINES, ARM (LONG)	568, 570	Mounting, JLink™ MTG (Field Kit)	368
LUBRICATION LINES, ARM (MASS EXCAVATING)	566	MOUNTING, SWING MOTOR	608
LUBRICATION LINES, ARM (SEMI-LONG)	564	MOUNTS, CAB	254
LUBRICATION LINES, ARM (STD)	562	Mounts, Engine	50
LUBRICATION LINES, BOOM (LONG)	558	MTG Assembly, JLink™ (Field Kit)	368
LUBRICATION LINES, BOOM (LONG) (AUTOMATIC)	560	Muffler	162
LUBRICATION LINES, BOOM (MASS EXCAVATING)	556	MUFFLER	164
LUBRICATION LINES, BOOM (STD)	554	Muffler Extension	164
Lubricator	194	MUFFLER SUPPORT	162, 164
LUBRICATOR HOSE REEL	192		
Lubricator Parts	192	N	
		NAME PLATES (FRENCH)(SPANISH)	188
M		NAME PLATES (FRENCH)(SPANISH) (CONTINUED)	190
Machine Information Center (MIC) Diagnostic Harness	234	NINE PIN CONNECTOR KIT	230
MACHINE INFORMATION CENTER KIT	234	NON STANDARD EQUIPMENT, FUEL PREFILTER FIELD INSTALL OPTION (953082 -)	176
		Nozzle Holder, Cylinder Head	78
		NOZZLE, WINDSHIELD WASHER	266

Alphabetical Index - Continued

	Page		Page
O			
OIL COOLER.....	106	PILOT LINES (TRAVEL PILOT CONTROL VALVE TO TRAVEL SENSOR MANIFOLD).....	528
Oil Cooler and Oil Filter.....	106	Pilot Lines (Travel Pilot Valve To Pilot Shutoff Valve).....	530
Oil Cooler Lines (1 of 2).....	100	Pilot Lines (Travel Pilot Valve To Travel Sensor Manifold).....	528
Oil Cooler Lines (2 of 2).....	102	Pilot Lines To Oil Tank Fittings.....	586
OIL COOLER PIPING (1 OF 2).....	100	PILOT LINES, SWING MOTOR TO CENTER JOINT.....	520
OIL COOLER PIPING (2 OF 2).....	102	Pilot Pump.....	446
OIL COOLER THERMOSTAT.....	106	Pilot Pump (Reman Regulator).....	434
OIL FILL, SWING MOTOR.....	608	PILOT SHUTOFF DECAL.....	280
OIL FILLER CAP, ENGINE.....	74	Pilot Shutoff Lever.....	406
OIL FILTER TO SOLENOID VALVE, HYDRAULIC LINES.....	518	PILOT SHUTOFF LINES TO RIGHT PILOT CONTROLLER.....	534
Oil Filter, Engine.....	68	Pilot Shutoff Solenoid Valve.....	474
OIL FILTER, HYDRAULIC.....	486	PILOT SHUTOFF VALVE (COMPLETE).....	530
Oil Filter, Hydraulic, Components.....	576	PILOT SHUTOFF VALVE COMPONENTS.....	474
OIL LINES, TURBOCHARGER.....	66	PILOT SHUTOFF VALVE TO BULK HEAD, PILOT HYDRAULIC HOSES.....	538
Oil Pan Assembly.....	62	PILOT SHUTOFF VALVE TO TRAVEL PILOT CONTROL VALVE, HYDRAULIC LINES.....	530
OIL PAN DRAIN HOSE.....	62	Pilot Signal Manifold (Control Valve Side).....	468
OIL PRESSURE SENSOR.....	60	Pilot Signal Manifold (Housing and Gaskets).....	462
OIL PRESSURE UNIT, CYLINDER BLOCK.....	60	Pilot Signal Manifold (Pilot Controller Side).....	466
OIL PUMP, ENGINE.....	64	Pilot Signal Manifold (Valve Section).....	464
OIL RELIEF VALVE, CYLINDER BLOCK.....	60	PILOT SIGNAL MANIFOLD (VALVES).....	470
OIL RESERVOIR, HYDRAULIC.....	584	PILOT SIGNAL MANIFOLD COVER.....	342
OIL RESERVOIR, HYDRAULIC, TEMPERATURE SENSOR.....	584	PILOT SIGNAL MANIFOLD LINES TO SENSOR MANIFOLD.....	522
OIL SAMPLING KIT, ENGINE.....	588	PILOT SIGNAL MANIFOLD TO CONTROL VALVE BOTTOM, HYDRAULIC LINES.....	506
OIL SAMPLING KIT, HYDRAULIC.....	590	PILOT SIGNAL MANIFOLD TO CONTROL VALVE TOP, HYD LINES (SN 953064 -) (953064 -).....	512
OIL SEPARATOR BRACKET.....	70	PILOT SIGNAL MANIFOLD TO CONTROL VALVE TOP, HYDRAULIC LINES (SN -953021) (- 953021).....	508
OIL TANK LINE TO PILOT LINE REMOVAL DEVICE.....	572	Pilot Signal Manifold Valves.....	470
OIL TANK LINES TO CONTROL VALVE.....	480	PILOT VALVE, COUNTERWEIGHT REMOVAL, COMPONENTS.....	408
OIL TANK LINES TO HYDRAULIC PUMP.....	476	PIN, BOOM.....	244
OIL TANK, HYDRAULIC.....	584	PIN, BOOM FOOT.....	242
OPERATOR PROTECTION GUARD.....	300	PIN, COUNTERWEIGHT REMOVAL.....	252
Operator Protection Guard Kit.....	300	PIN, TIMING, CYLINDER BLOCK.....	60
OPG.....	300	Pin, TK600 Series Bucket Tooth.....	390
OPTIONAL, ADDITIONAL FUEL PRE-FILTERS (953082 -).....	176	Pin, TK700 Series Bucket Tooth.....	392
OUTLET, ENGINE, WATER PIPE.....	104	PIN, TRACK CHAIN ASSEMBLY.....	36
OVERFLOW VALVE, INJECTION PUMP.....	92	PIPE, ENGINE WATER OUTLET.....	104
P			
PAN, OIL.....	62	PIPING, OIL COOLER (1 OF 2).....	100
PATTERN CHANGER VALVE, MECHANICAL.....	536	PIPING, OIL COOLER (2 OF 2).....	102
PEDAL PROPEL KIT, SINGLE.....	412	PISTON COOLING JETS, CYLINDER BLOCK.....	60
PEDAL, TRAVEL PILOT CONTROL VALVE.....	404	PISTON HYDRAULIC MOTOR GEARBOX, SWING.....	614
Penetration, Abrasion Esco Ultralok™ (Hammerless) Teeth.....	394	PISTON HYDRAULIC MOTOR, SWING.....	612
Penetration, Estreme, Esco Ultralok™ (Hammerless) Teeth.....	394	Piston Pump (Reman Regulator).....	434
Pilot Check Valve.....	580	PISTON, PUMP.....	438
PILOT CHECK VALVE.....	518	PISTON, TRAVEL MOTOR.....	42
PILOT CHECK VALVE COMPONENTS.....	580	PLATE, CAB FLOOR.....	288
PILOT CONTROL HANDLE, LEFT.....	402	PLATE, TRAVEL MOTOR COVER.....	48
Pilot Control Valve and Levers.....	400	Plug Kit.....	370
Pilot Control Valve Components.....	396	PLUG, FLOOR PLATE.....	288
PILOT CONTROLLER COMPONENTS, TRAVEL.....	398	PLUG, GLOW, CYLINDER HEAD.....	76
PILOT CONTROLLER, RIGHT, AND WIRING HARNESSSES.....	232	POLY CARBONATE SUNROOF.....	272
PILOT FILTER (COMPLETE).....	504	POWER CONVERTER.....	216
PILOT HOSES, (DIGGING SENSOR MANIFOLD TO LEFT PILOT CONTROLLER).....	532	Power Converter (12 Volt).....	216
PILOT HYDRAULIC LINES (SOLENOID VALVE TO OIL FILTER).....	518	POWER OUTLET (12 VOLT), REAR TRAY.....	330
PILOT KIT, SINGLE PEDAL PROPEL.....	412	POWER UNIT (12-VOLT).....	216
PILOT LINE (PILOT SHUTOFF VALVE TO HYDRAULIC OIL TANK).....	538	POWER-BOOST PILOT CONTROLLER GRIP.....	400
Pilot Lines (Control Valve Bottom To Pilot Signal Manifold).....	506	PRE-FILTER COMPONENTS, FUEL SYSTEM.....	110
Pilot Lines (Control Valve Top To Manifold) (- 953021).....	508	PRE-FILTER CONVERSION KIT, FUEL SYSTEM (SN -953079) (953080 -).....	172
Pilot Lines (Control Valve Top To Manifold) (953022 - 953063).....	510	PRE-FILTER, FUEL SYSTEM (953082 -).....	176
Pilot Lines (Control Valve Top To Manifold) (953064 -).....	512	PRE-FILTER, FUEL SYSTEM (SN 953080-) (953080 -).....	172
PILOT LINES (CONTROL VALVE TOP TO PILOT SIGNAL MANIFOLD)(SN -953021) (- 953021).....	508	PRE-FILTER, FUEL SYSTEM (SN 953080-) (CONTINUED) (953080 -).....	174
PILOT LINES (CONTROL VALVE TOP TO PILOT SIGNAL MANIFOLD)(SN 953064-) (953064 -).....	512	PRECLEANER, AIR CLEANER.....	158
PILOT LINES (COUNTERWEIGHT REMOVAL DEVIC E).....	572	Pressure Relief Valve Components For Standard Fan Control Valve.....	156
Pilot Lines (Counterweight Removal Device).....	572	PRESSURE RELIEF VALVE, STANDARD FAN CONTROL VALVE.....	154
PILOT LINES (DIGGING SENSOR MANIFOLD TO LEFT PILOT CONTROLLER).....	532	PRESSURE RELIEF VALVE, SWING MOTOR.....	612
Pilot Lines (Left Pilot Controller).....	532	PRESSURE SENSOR.....	222
Pilot Lines (Pilot Signal Manifold To Sensor Manifold and Bulkhead).....	522	PRESSURE SENSOR, ARM IN.....	526
Pilot Lines (Pilot Signal Manifold To Swing Motor and Reservoir).....	524	PRESSURE SENSOR, ARM OUT.....	526
Pilot Lines (Right Pilot Controller).....	534	PRESSURE SENSOR, BOOM DOWN.....	526
Pilot Lines (Shutoff Valve To Bulk Head and Reservoir).....	538	PRESSURE SENSOR, BOOM HYDRAULIC CYLINDER.....	220
Pilot Lines (Swing Motor To Center Joint).....	520	PRESSURE SENSOR, BOOM UP.....	526
PILOT LINES (TRAVEL PILOT CONTROL VALVE TO PILOT SHUTOFF VALVE).....	530	PRESSURE SENSOR, BUCKET CURL.....	526
		PRESSURE SENSOR, BUCKET DUMP.....	526
		PRESSURE SENSOR, ENGINE.....	116
		PRESSURE SENSOR, FUEL PUMP.....	86
		PRESSURE SENSOR, LEFT TRAVEL.....	526

Alphabetical Index - Continued

	Page		Page
PRESSURE SENSOR, RIGHT TRAVEL	526	RELAYS, CAB WIRING HARNESS	236
PRESSURE SENSOR, SIGNAL MANIFOLD	220	RELEASE LEVER, DOOR CATCH	264
PRESSURE SWITCH, PILOT LINE REMOVAL DEVICE	572	RELIEF VALVE COMPONENTS FOR STANDARD FAN CONTROL VALVE	156
PRIMARY FILTER ELEMENT, AIR CLEANER	158	RELIEF VALVE FOR STANDARD FAN CONTROL VALVE, COMPONENTS	156
PROPEL KIT, SINGLE PEDAL	412	RELIEF VALVE, FAN REVERSING VALVE	146
PROPEL MOTOR AND BRAKE VALVE ASSEMBLY	40	RELIEF VALVE, OIL COOLER	106
PROPEL MOTOR BRAKE VALVE	44	RELIEF VALVE, STANDARD FAN CONTROL VALVE	154
PROPEL MOTOR COMPONENTS	42	RELIEF VALVE, SWING MOTOR	612
PROPEL MOTOR COVER	48	RELIEF VALVE, TRAVEL MOTOR CROSSOVER	44
PROPEL MOTOR HYDRAULIC LINES	46	Reman Alternator	116, 118
PROPEL MOTOR, GEARBOX	40	Reman Engine	50
PROTECTION, CAB VANDAL	274	REMAN HYDRAULIC PROPEL MOTOR	40, 42, 44
PULLEY, AIR CONDITIONER COMPRESSOR	322	REMAN HYDRAULIC PUMP	438, 444
Pulley, Alternator	118	Reman Hydraulic Pump (Regulator)	442
PULLEY, CRANKSHAFT	52	Reman Hydraulic Pump (Reman Regulator)	434
PULLEY, FAN	114	REMAN HYDRAULIC SWING MOTOR	608, 612
PULLEY, IDLER	114	REMAN MANIFOLD	38
PUMP COUPLER COMPONENTS, FUEL INJECTION	90	Reman Starter Motor	116, 122
PUMP COVER	334	REMOVABLE COUNTERWEIGHT	250
PUMP COVER, REAR LEFT SIDE	332	REMOVAL COUNTERWEIGHT VALVE, PILOT, COMPONENTS	408
PUMP DRAIN LINES	484, 500	REMOVAL DEVICE LINES	574
PUMP MOUNTING, HYDRAULIC	432	REMOVAL LIFTING DEVICE, COUNTERWEIGHT	252
Pump Pressure and Intake Sensors	218	REMOVAL OF COUNTERWEIGHT DEVICE, CYLINDER	602, 604
PUMP, ATTENUATOR LINES	498	REPAIR KIT, FUEL INJECTION PUMP DRIVE	84
PUMP, ENGINE OIL	64	REPAIR KIT, WATER PUMP	98
PUMP, FUEL INJECTION	86	RESERVE TANK	148
PUMP, FUEL INJECTION, COMPONENTS	92	Reserve Water Tank	148
PUMP, HYDRAULIC LINES	502	RESERVOIR HYDRAULIC LINES TO FILTER	504
PUMP, HYDRAULIC, FAN	444	RESERVOIR, HYDRAULIC OIL	584
PUMP, HYDRAULIC, ROTATING GROUP	438	RESERVOIR, WINDOW WASHER	294
PUMP, PILOT	446	Return Lines	482
Pump, Pilot (Reman Regulator)	434	RETURN LINES	480
PUMP, PISTON	438	RETURN LINES (CONTROL VALVE TO COOLING PACKAGE)	482
Pump, Piston (Reman Regulator)	434	Return Lines (Control Valve)	480
PUMP, WATER, COMPONENTS	98	REVERSING CONTROL VALVE COMPONENTS, FAN	146
PUMP, WINDOW WASHER	294	REVERSING FAN SWITCH	240
		REVERSING FAN WIRING HARNESS	240
		RIGHT BOOM CYLINDER	592
		Right Boom Cylinder Components	592
		RIGHT BOOMLIGHT	210
		RIGHT CAB INSIDE COVER	282
		Right Pilot Controller and Wiring Harnesses	232
		RIGHT PILOT CONTROLLER LINES TO PILOT SHUTOFF AND DIGGING SENSOR MANIFOLD	534
		RIGHT REARVIEW MIRROR	346
		RIGHT SIDE, HANDRAIL	352
		RIGHT TRAVEL PRESSURE SENSOR	526
		RIGHT, CONSOLE	278
		ROCKER ARM, CAMSHAFT	54
		ROD BEARINGS, CRANKSHAFT	52
		ROLLER, CARRIER TRACK	26
		ROLLER, LOWER TRACK	28
		ROLLER, SWING BEARING	246
		Rotary Group Components	140
		ROTARY GROUP COMPONENTS, FAN DRIVE MOTOR	140
		ROTARY GROUP, FAN DRIVE MOTOR COMPONENTS	138
		Rotary Manifold	38
		ROTARY MANIFOLD COMPONENTS	38
		ROTARY MANIFOLD MOUNTING	38
		ROTARY MANIFOLD STOP	244
		ROTARY MANIFOLD TO CONTROL VALVE	492
		ROTARY MANIFOLD TO DRAIN LINE	488
		ROTARY MOTOR GEARBOX, SWING	614
		ROTARY MOTOR MOUNTING, SWING	608
		ROTARY MOTOR OIL FILL	608
		ROTARY MOTOR, SWING	612
		ROTATING GROUP, HYDRAULIC PUMP	438
		Rotor Bearing, Alternator	118
		Rotor Coil, Alternator	118
		Rotor, Alternator	118
		S	
		SEAL KIT, LEFT BOOM CYLINDER	594
		SEAL KIT, RIGHT BOOM CYLINDER	592
		SEAL, ROTARY GROUP COMPONENTS, FAN DRIVE MOTOR	140
		SEAL, SWING BEARING	34
		Seat and Seat Suspension Assembly (Air)	302
		SEAT BASE	306
		SEAT BASE TRACK KIT	306

Alphabetical Index - Continued

	Page		Page
Seat Belt	310	SOLENOID, WIRING HARNESS (- 953088)	224
SEAT BELT KIT, (3.00 INCH)	312	SOLENOID, WIRING HARNESS (SN 953089-) (953089 -)	226
SEAT FOAM KIT	302	SPANISH LABELS	188
Seat Hardware Service Kit	304	SPANISH LABELS (CONTINUED)	190
Seat Heater Components	308	SPEAKER, RADIO	266
SEAT HEATER WIRING HARNESS	308	SPOOL LOCK, PILOT SHUTOFF VALVE	474
SEAT SLIDE TRACK KIT	306	SPOOL, FAN REVERSING VALVE	146
Seat Stand (Air Suspension)	306	SPOOLS, CONTROL VALVE (4-SPOOL SIDE)	456
SEAT SUPPORT	306	SPOOLS, CONTROL VALVE (5-SPOOL SIDE)	450
SEAT, 24V COMPRESSOR KIT	302	SPRING, TRACK CHAIN ADJUSTER	32
SEAT, AIR SUSPENSION	302	Standard and Mass Excavating Boom	426
SEAT, AIRSPRING	302	Standard Arm (3.6m)	414
SEAT, ARMREST	306	Standard Arm 3.6m	414
Secondary Exit Kit	276	STANDARD ARM HYDRAULIC LINES	546
SECONDARY FILTER ELEMENT, AIR CLEANER	158	STANDARD BOOM (7.8M)	426
SECURITY, CAB VANDAL PROTECTION	274	STANDARD BOTTOM COVER	348
SEMI-LONG ARM (4.2M)	416	Standard Esco Ultralok™ (Hammerless Teeth)	394
Semi-Long Arm 4.2m	416	Standard Fan Control Valve	154
SEMI-LONG ARM HYDRAULIC LINES	548	STANDARD FAN CONTROL VALVE PRESSURE RELIEF VALVE COMPONENTS	156
SENDING UNIT, FUEL TANK LEVEL	166	START SWITCH	236
SENSOR MANIFOLD LINES TO PILOT SIGNAL MANIFOLD	522	STARTER	116
SENSOR MANIFOLD, TRAVEL, TO TRAVEL PILOT CONTROL VALVE PILOT HYDRAULIC LINES	528	Starter and Alternator	116
SENSOR, AIR CONDITIONER CONDENSOR	324	Starter Components	122
SENSOR, ARM IN PRESSURE	526	STARTER RELAY	116, 196
SENSOR, ARM OUT PRESSURE	526	Stator, Alternator	118
SENSOR, BOOM DOWN PRESSURE	526	STEP, FRAME	242, 244
SENSOR, BOOM HYDRAULIC CYLINDER	220	STEP, MAIN FRAME SIDE	242
SENSOR, BOOM UP PRESSURE	526	STEP, UNDERCARRIAGE FRAME	34
SENSOR, BUCKET CURL PRESSURE	526	STOP SWITCH, ENGINE	182
SENSOR, BUCKET DUMP PRESSURE	526	STOP, ROTARY MANIFOLD	244
SENSOR, DIGGING, MANIFOLD	526	STOPPERS, CAB	270
SENSOR, ENGINE BOOST	94	STRAINER, FUEL TANK	166
SENSOR, ENGINE PRESSURE	116	STRAP, GROUND, STARTER	116
SENSOR, ENGINE SPEED	124	Suction Lines	476
SENSOR, ENGINE TEMPERATURE	116	SUNROOF	272
SENSOR, ENGINE THERMO	218	SUNSHADE	272
Sensor, Engine Water Temperature	78	SUPPORT, AIR CLEANER	160
SENSOR, FUEL TEMPERATURE, INJECTION PUMP	92	SUPPORT, COUNTERWEIGHT	248
SENSOR, HYDRAULIC PUMP PRESSURE	218	SUPPORT, MUFFLER	162, 164
SENSOR, INTAKE MANIFOLD, AIR TEMPERATURE	94	SUPPORT, SEAT	306
SENSOR, INTAKE, AIR TEMPERATURE	218	SUPPORTS, FLOOR PLATE	288
SENSOR, LEFT TRAVEL PRESSURE	526	SURGE TANK	148
SENSOR, OIL LEVEL, OIL PAN	62	SUSPENSION, AIR SEAT	302
SENSOR, OIL PRESSURE	60	Swing Bearing	246
SENSOR, PILOT CONTROL MANIFOLD	220	SWING BEARING LUBRICANT LINE	540
SENSOR, PRESSURE	222	Swing Bearing Lubricate Lines	540
SENSOR, PRESSURE, FUEL PUMP	86	SWING BEARING SEAL	34
SENSOR, RIGHT TRAVEL PRESSURE	526	Swing Gearbox	614
SENSOR, SOLAR	320	SWING LOCK VALVE	474
SENSOR, TEMPERATURE, HYDRAULIC OIL RESERVOIR	584	SWING MANIFOLD	38
SENSOR, TRAVEL, MANIFOLD	526	SWING MANIFOLD COMPONENTS	38
SENSOR, WATER TEMPERATURE	116	SWING MANIFOLD MOUNTING	38
SEPARATOR, FUEL AND WATER	110	Swing Motor	612
SEPARATOR, FUEL AND WATER (953082 -)	176	SWING MOTOR COVER	342
SEPARATOR, FUEL AND WATER (SN -953079) (- 953079)	170	Swing Motor Gearbox Drain Hoses	610
SEPARATOR, FUEL AND WATER (SN 953080-) (953080 -)	172	Swing Motor Lines From Control Valve	490
SEPARATOR, FUEL AND WATER (SN 953080-) (CONTINUED) (953080 -)	174	SWING MOTOR LINES TO CENTER JOINT	520
SERVICE ADVISOR™ CONNECTOR	230	SWING MOTOR MOUNTING	608
Service ADVISOR™ Connector Kit	230	Swing Motor Mounting and Oil Fill	608
SHAFT, ROTARY GROUP COMPONENTS, FAN DRIVE MOTOR	140	SWING MOTOR OIL FILL	608
SHAFT, WATER PUMP	98	SWING MOTORS TO DRAIN LINE	488
SHOCKLESS VALVE	534	SWITCH, AUXILIARY CONTROL	232
SHOCKLESS VALVE (COMPONENTS)	578	SWITCH, FAN REVERSING	240
SHOE, TRACK CHAIN ASSEMBLY	36	SWITCH, IGNITION	236
SHUT-OFF VALVE, HIGH PRESSURE LINES	574	SWITCH, LEFT PILOT CONTROL HANDLE	402
SHUTOFF LEVER, PILOT	406	SWITCH, LUBRICATOR	192, 194
SHUTOFF VALVE, PILOT	474	SWITCH, OVERHEAT WARNING	104
SHUTOFF VALVE, PILOT, TO TRAVEL PILOT CONTROL VALVE, HYDRAULIC LINES	530	SWITCH, PRESSURE, PILOT LINE REMOVAL DEVICE	572
SHUTTLE VALVE, PILOT LINE REMOVAL DEVICE	572	SWITCH, REAR HEADLIGHTS	204
SIDE HANDRAIL	242	SWITCH, SEAT HEATER	308
SIGHT GAUGE, HYDRAULIC OIL TANK	584	SWITCH, START	236
Single Pedal Propel Kit	412	SWITCH, STARTER	122
SOLAR SENSOR	320		
Solenoid Valve	472	T	
SOLENOID VALVE TO CENTER JOINT (PILOT SYSTEM)	516	TANK, FUEL	166
SOLENOID VALVE TO OIL FILTER, HYDRAULIC LINES	518	TANK, FUEL HOSES (953082 -)	176
SOLENOID, FAN REVERSING	144	TANK, FUEL HOSES (SN -953079) (- 953079)	170
SOLENOID, FAN REVERSING VALVE	146	TANK, FUEL HOSES (SN 953080-) (953080 -)	172
SOLENOID, PILOT SHUTOFF VALVE	474	TANK, FUEL HOSES (SN 953080-) (CONTINUED) (953080 -)	174
SOLENOID, STARTER	122	TANK, HYDRAULIC OIL	584

Alphabetical Index - Continued

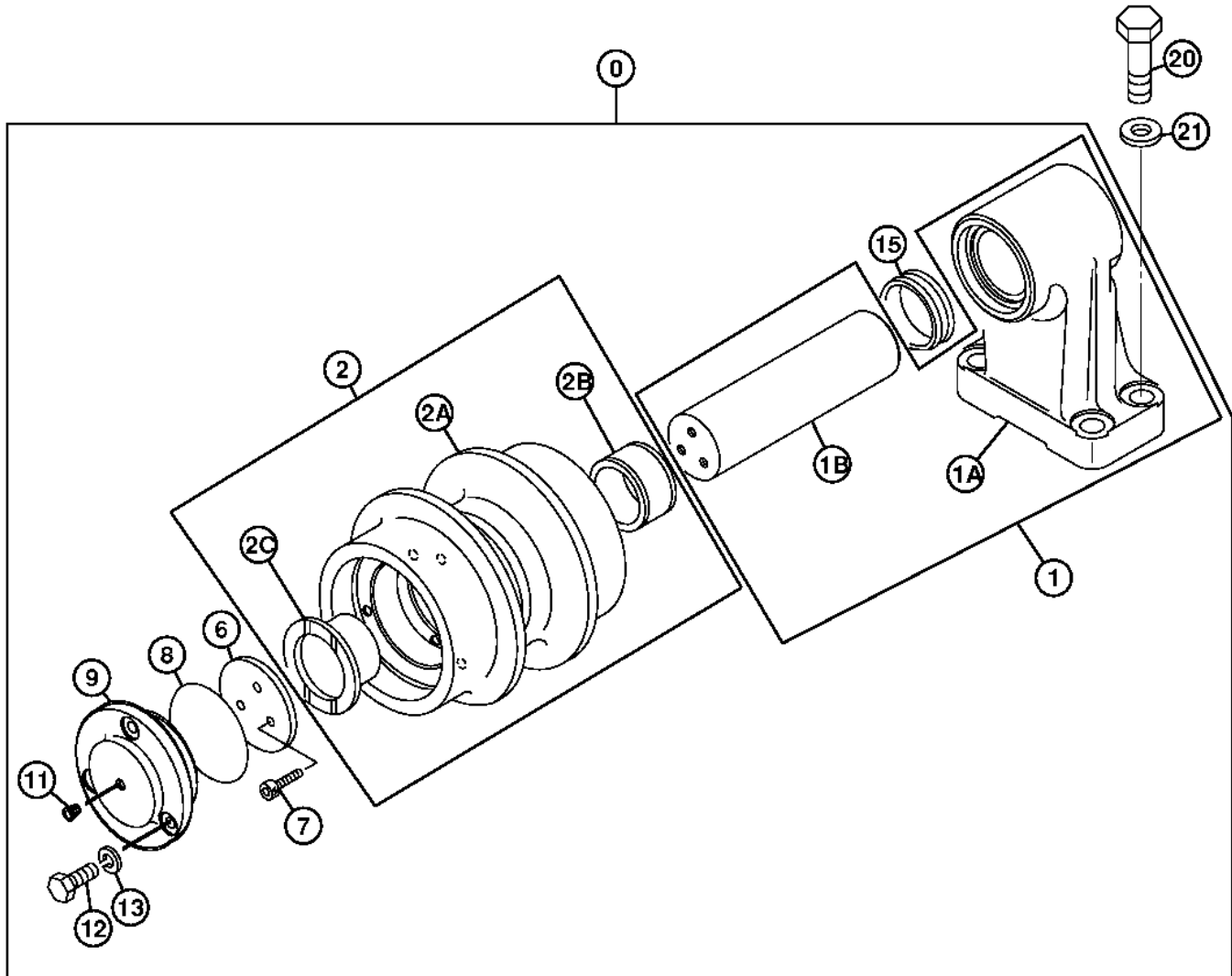
	Page		Page
TANK, RESERVE WATER	148		
TANK, WATER.....	148		
TANK, WINDOW WASHER.....	294		
Teeth, Esco Ultralok™ (Hammerless).....	394		
TEMPERATURE INTAKE SENSOR, AIR.....	218		
TEMPERATURE SENSOR, ENGINE.....	116		
TEMPERATURE SENSOR, FUEL, INJECTION PUMP.....	92		
TEMPERATURE SENSOR, HYDRAULIC OIL RESERVOIR.....	584		
TEMPERATURE SENSOR, INTAKE MANIFOLD.....	94		
TEMPERATURE SENSOR, WATER.....	116		
TENSION DEVICE, TRACK CHAIN ADJUSTER.....	32		
TENSION DEVICE, TRACK CHAIN IDLER.....	30		
Thermostat.....	104		
THERMOSTAT, AIR CONDITIONER / HEATER.....	314		
THERMOSTAT, OIL COOLER.....	106		
Timing Gear Cover.....	58		
TIMING PIN, CYLINDER BLOCK.....	60		
TK600 Series Bucket Tooth System.....	390		
TK700 Series Bucket Tooth System.....	392		
Tool Box and Right Rearview Mirror.....	346		
TOOLBOX AND RIGHT REARVIEW MIRROR.....	346		
Tooth Adapter, Truck Loading Bucket.....	384		
Tooth, Bucket, TK600 Series.....	390		
Tooth, Bucket, TK700 Series.....	392		
Tooth, Truck Loading Bucket.....	384		
TORSIONAL DAMPER, CRANKSHAFT.....	52		
Track Chain Adjuster.....	32		
Track Chain Assembly.....	36		
TRACK CHAIN DRIVE GEAR.....	40		
Track Chain Idler.....	30		
TRACK FRAME, UNDERCARRIAGE.....	34		
TRACK GUIDE.....	34		
TRACK KIT, SEAT BASE.....	306		
TRACK KIT, SEAT SLIDE.....	306		
TRACK ROLLER, CARRIER.....	26		
TRACK ROLLER, LOWER.....	28		
TRANSMISSION, HYDRAULIC PUMP.....	436		
Travel Alarm.....	364		
Travel Device Hydraulic Lines.....	46		
TRAVEL KIT, SINGLE PEDAL.....	412		
Travel Motor.....	42		
TRAVEL MOTOR AND BRAKE VALVE ASSEMBLY.....	40		
Travel Motor Brake Valve.....	44		
TRAVEL MOTOR BRAKE VALVE COMPONENTS.....	44		
TRAVEL MOTOR COMPONENTS.....	42		
Travel Motor Cover.....	48		
TRAVEL MOTOR CROSSOVER RELIEF VALVE.....	44		
TRAVEL MOTOR DRIVE GEAR.....	40		
Travel Motor Gearbox.....	40		
TRAVEL MOTOR HYDRAULIC LINES.....	46		
TRAVEL PILOT CONTROL VALVE.....	404		
Travel Pilot Control Valve Components.....	398		
TRAVEL PILOT CONTROL VALVE TO PILOT SHUTOFF VALVE, HYDRAULIC LINES.....	530		
TRAVEL PILOT CONTROL VALVE TO TRAVEL SENSOR MANIFOLD PILOT HYDRAULIC LINES.....	528		
Travel Pilot Control Valve, Levers and Pedals.....	404		
TRAVEL SENSOR MAINFOLD LINES TO PILOT SIGNAL MANIFOLD.....	524		
TRAVEL SENSOR MANIFOLD.....	526		
TRAVEL SENSOR MANIFOLD TO TRAVEL PILOT CONTROL VALVE, PILOT HYDRAULIC LINES.....	528		
TRAVEL WARNING ALARM.....	236		
TRAY, REAR.....	330		
Truck Loading Bucket.....	384		
Truckloading Bucket.....	382		
TRUCKLOADING, BUCKET.....	382		
TUBING, INTERCOOLER (COOLING PACKAGE SIDE).....	152		
TUBING, INTERCOOLER (ENGINE SIDE).....	150		
Turbocharger Components.....	96		
Turbocharger Oil Lines.....	66		
Twin Pick Point Esco Ultralok™ (Hammerless) Teeth.....	394		
U			
Undercarriage Frame.....	34		
UNDERCARRIAGE FRAME STEP.....	34		
UNIT (12-VOLT), POWER.....	216		
UNIT, CONTROLLER.....	212		
UPPER RADIATOR HOSE.....	134		
UPPER ROLLER, TRACK.....	26		
Utility Box.....	344		
		V	
		VALVE BODY, CONTROL VALVE (4-SPOOL).....	456
		VALVE BODY, CONTROL VALVE (5-SPOOL).....	450
		VALVE COMPONENTS, FAN REVERSING.....	146
		VALVE COMPONENTS, FLOW CONTROL.....	578
		Valve Insert, Exhaust, Cylinder Head.....	78
		Valve Insert, Inlet, Cylinder Head.....	78
		VALVE MOUNTING BRACKETS, CONTROL.....	448
		VALVE REPAIR PARTS.....	440
		Valve Seat Inserts, Cylinder Head.....	78
		VALVE SECTION, PILOT SIGNAL MANIFOLD.....	464
		VALVE, AIR CLEANER.....	158
		VALVE, BOOM LUBRICATION (LONG) (AUTOMATIC).....	560
		VALVE, BRAKE, COMPONENTS.....	44
		VALVE, CHECK (PILOT SYSTEM).....	580
		VALVE, CONTROL (COMPLETE).....	448
		VALVE, CONTROL, BOTTOM, TO PILOT SIGNAL MANIFOLD, HYDRAULIC LINES.....	506
		VALVE, CONTROL, TOP, TO MANIFOLD HYD LINES (SN 953022-953063) (953022 - 953063).....	510
		VALVE, CONTROL, TOP, TO PILOT SIGNAL MANIFOLD, HYD LINES (SN -953021) (- 953021).....	508
		VALVE, CONTROL, TOP, TO PILOT SIGNAL MANIFOLD, HYD LINES (SN 953064-) (953064 -).....	512
		VALVE, COUNTERWEIGHT REMOVAL CONTROL.....	410
		VALVE, COUNTERWEIGHT REMOVAL, PILOT, COMPONENTS.....	408
		VALVE, EGR (EXHAUST GAS RECIRCULATION).....	72
		VALVE, EXHAUST, CAMSHAFT.....	54
		VALVE, FAN REVERSING CONTROL.....	144
		VALVE, FAST FUEL SYSTEM, KIT.....	168
		VALVE, INLET, CAMSHAFT.....	54
		VALVE, LUBRICATOR.....	194
		VALVE, MECHANICAL PATTERN CHANGER.....	536
		VALVE, OIL RELIEF, CYLINDER BLOCK.....	60
		VALVE, OVERFLOW, INJECTION PUMP.....	92
		VALVE, PILOT CHECK.....	518
		VALVE, PILOT CONTROL AND LEVER.....	400
		VALVE, PILOT CONTROL, COMPONENTS.....	396
		VALVE, PILOT SHUTOFF.....	474
		VALVE, RELIEF, OIL COOLER.....	106
		VALVE, RELIEF, STANDARD FAN CONTROL VALVE.....	154
		VALVE, SHOCKLESS.....	534
		VALVE, SHOCKLESS (COMPONENTS).....	578
		VALVE, SHUT-OFF, HIGH PRESSURE LINES.....	574
		VALVE, SHUTTLE, PILOT LINE REMOVAL DEVICE.....	572
		VALVE, SOLENOID.....	472
		VALVE, STANDARD FAN CONTROL.....	154
		VALVE, SWING LOCK.....	474
		VALVE, TRAVEL PILOT COMPONENTS.....	398
		VALVE, TRAVEL PILOT CONTROL, TO PILOT SHUTOFF VALVE.....	530
		VALVE, TRAVEL PILOT CONTROL, TO TRAVEL SENSOR MANIFOLD PILOT LINES.....	528
		VALVE,REGULATOR.....	440
		VALVE,REGULATOR (FAN PUMP).....	442
		VALVES, PILOT SIGNAL MANIFOLD.....	470
		VANDAL PROTECTION, CAB.....	274
		VEHICLE CONTROLLER.....	212
		VENT, COVER.....	268
		VENT, RIGHT CAB INSIDE COVER.....	282
		Ventilation System.....	70
		VENTILATION SYSTEM, ENGINE.....	70
		VISOR, RAIN.....	296
		W	
		WASHER NOZZLE.....	266
		WASHER, WINDOW.....	294
		WATER AND FUEL SEPARATOR.....	110
		WATER OUTLET PIPE, ENGINE.....	104
		WATER PUMP BEARINGS.....	98
		Water Pump Components.....	98
		WATER PUMP GASKET.....	98
		WATER PUMP IMPELLER.....	98
		WATER PUMP SHAFT.....	98
		WATER SEPARATOR, FUEL (953082 -).....	176
		WATER SEPARATOR, FUEL (SN -953079) (- 953079).....	170
		WATER SEPARATOR, FUEL (SN 953080-) (953080 -).....	172
		WATER SEPARATOR, FUEL (SN 953080-) (CONTINUED) (953080 -).....	174
		WATER TEMPERATURE SENSOR.....	116
		Water Temperature Sensor, Engine.....	78

Alphabetical Index - Continued

	<i>Page</i>	<i>Page</i>
WEATHERSTRIP,CAB DOOR	262	
WINDOW GLASS,CAB DOOR.....	262	
WINDOW GUARD BARS	268	
Window Washer	294	
WINDOW, CAB.....	260	
WINDOW, CAB VANDAL PROTECTION	274	
WINDSHIELD.....	258	
WINDSHIELD FRAME	258	
WINDSHIELD WASHER	294	
WINDSHIELD WASHER NOZZLE	266	
WINDSHIELD WIPER	260	
WIPER, WINDSHIELD	260	
WIRE HARNESS, DATA LINK CONNECTOR.....	180	
WIRE HARNESS, ENGINE	180	
WIRE HARNESS, FUEL INJECTOR.....	120	
WIRE HARNESS, RADIO SPEAKER	266	
WIRE HARNESS(DR.ZX).....	234	
WIRING HARNESS, AUXILIARY CONTROL	232	
WIRING HARNESS, BOOM.....	430	
WIRING HARNESS, BOOM LIGHT (RIGHT).....	210	
WIRING HARNESS, ELECTRICAL COMPONENTS (SN -953088) (- 953088).....	224	
WIRING HARNESS, ELECTRICAL COMPONENTS (SN 953089-) (953089 -).....	226	
WIRING HARNESS, ENGINE (SN -953088) (- 953088).....	224	
WIRING HARNESS, ENGINE (SN 953089-) (953089 -).....	226	
WIRING HARNESS, FAN REVERSING.....	240	
WIRING HARNESS, FRONT HEADLIGHTS, CAB	202	
WIRING HARNESS, FRONT LIGHTS (2 LAMP)	206	
WIRING HARNESS, FRONT LIGHTS (4 LAMP)	208	
WIRING HARNESS, HEADLIGHTS, FRONT (2 LIGHTS)	198	
WIRING HARNESS, HEADLIGHTS, FRONT (4 LIGHTS)	200	
WIRING HARNESS, HEADLIGHTS, REAR.....	204	
WIRING HARNESS, LEFT PILOT CONTROL HANDLE	402	
WIRING HARNESS, LOCK VALVE TO CAB.....	236	
WIRING HARNESS, LUBRICATOR.....	192	
WIRING HARNESS, MAIN (SN -953088) (- 953088).....	224	
WIRING HARNESS, MAIN (SN 953089-) (953089 -).....	226	
WIRING HARNESS, MONITOR.....	214	
WIRING HARNESS, RADIO	360	
WIRING HARNESS, RIGHT PILOT CONTROLLER.....	232	
WIRING HARNESS, SEAT HEATER	308	
Y		
YOKE, TRACK IDLER.....	30	

Carrier Roller
Galet porteur
Rodillo superior

TX1002279 A.1

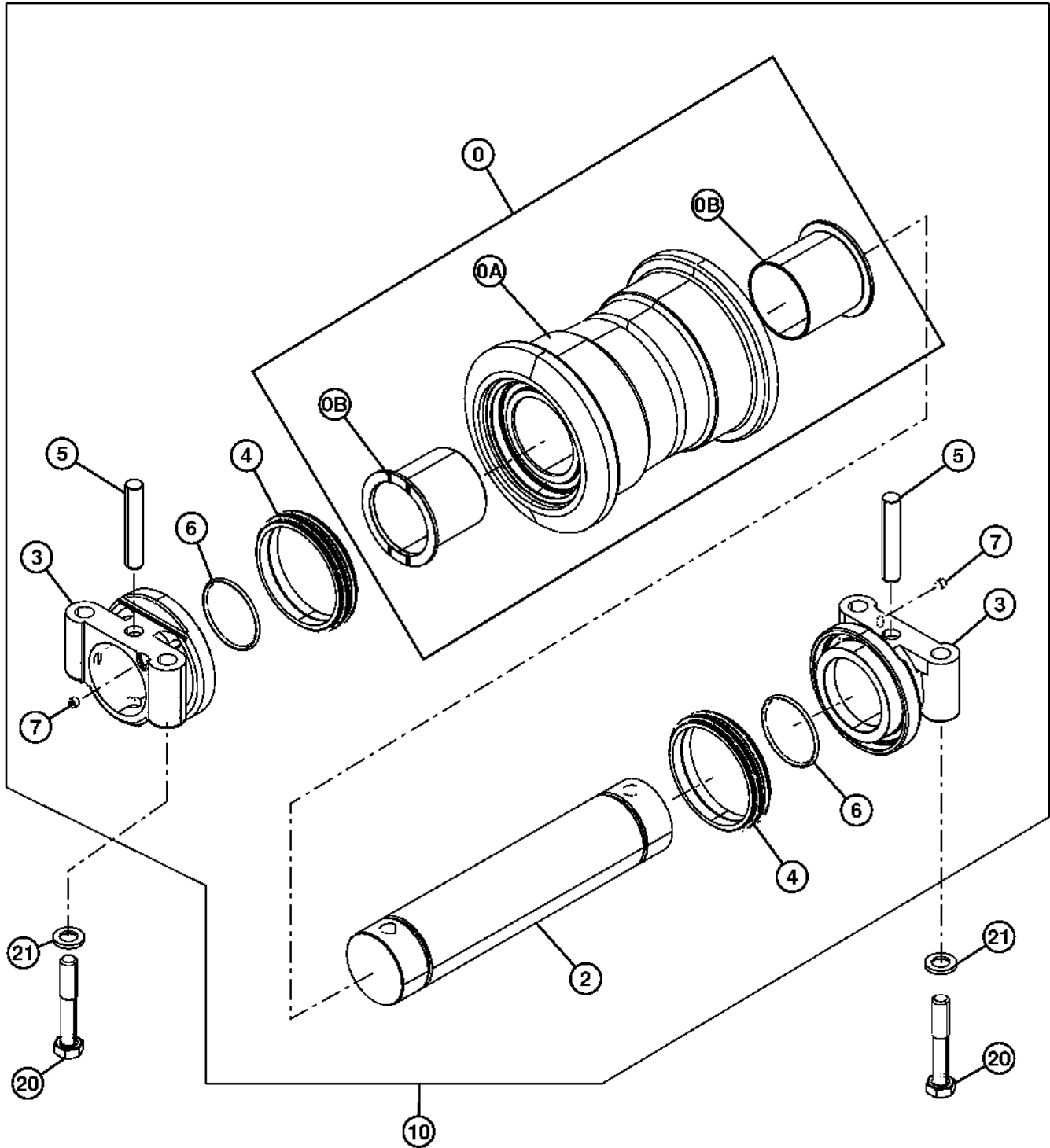


TX1002279

Key	Part No.	Part Name	Qty.	Serial No.	Remarks
0	AT318030	Carrier Roller	1		(SUB FOR 9078675)
1	9091505	Bracket	1		
1A	Bracket	1		
1B	Axle	1		
2	Roller	1		(9091506 NLA)
2A	Roller	1		(7019133 NLA)
2B	3040561	Bushing	1		
2C	3040562	Bushing	1		
6	4215457	Thrust Washer	1		
7	19M9200	Screw	3		M10 X 20, (SUB FOR M341020)
8	A810105	O-Ring	1		
9	4658425	Cover	1		(SUB FOR 3040559)
11	94-2011	Fitting Plug	1		
12	19M7662	Cap Screw	3		M10 X 30, (SUB FOR J901030)
13	12M7066	Lock Washer	3		10 mm, (SUB FOR A590910)
15	4155698	Seal	1		
20	19M7892	Cap Screw	4		M20 X 80, (SUB FOR J932080)
21	N231749	Washer	4		20.620 X 38.100 X 6.350 mm (13/16" X 1-1/2" X 1/4"), (SUB FOR 4018545)

Lower Track Roller
Galet de chenille inférieur
Rodillo inferior

TX1001431 A.1

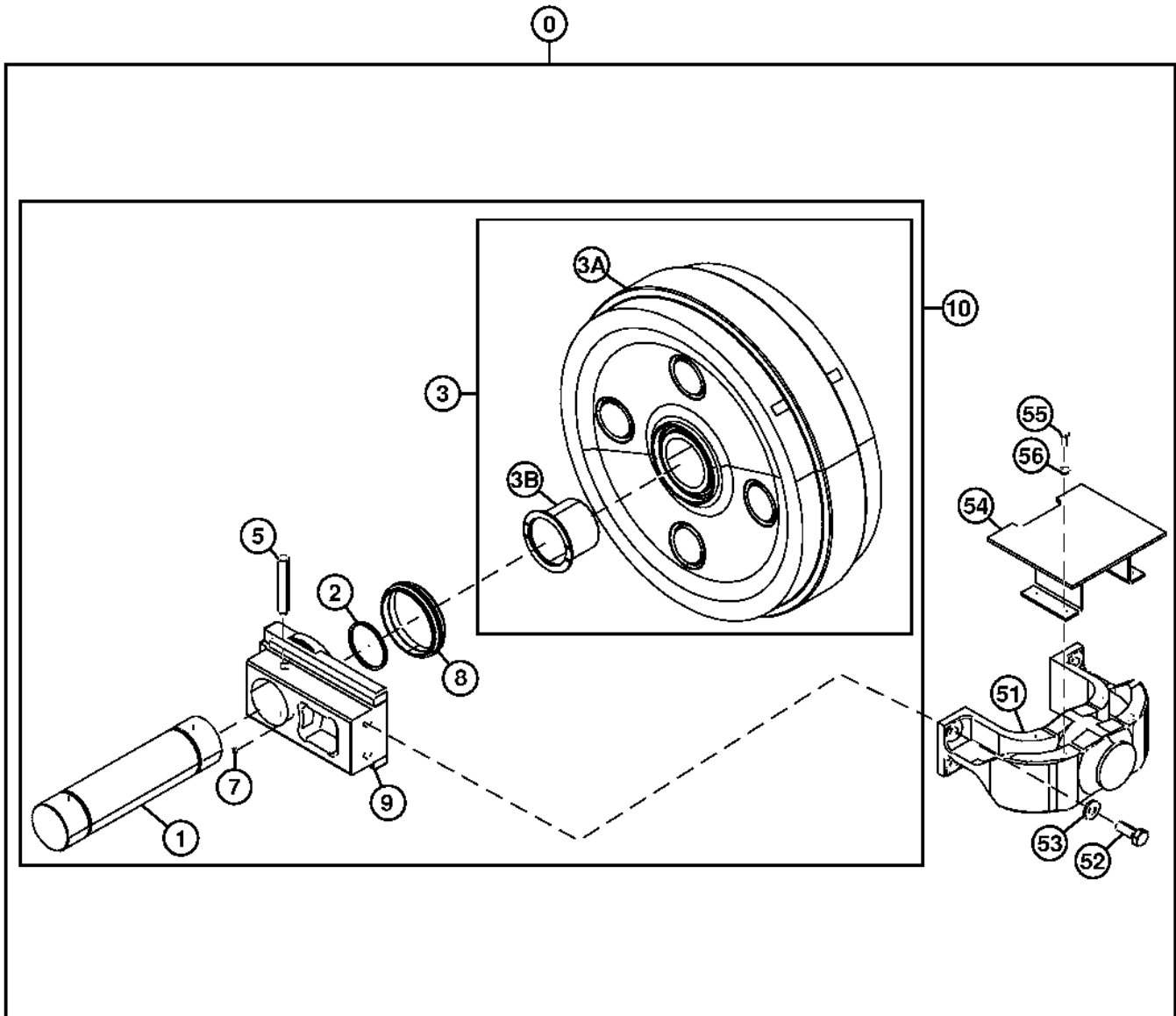


TX1001431

Key	Part No.	Part Name	Qty.	Serial No.	Remarks
0	Roller	1		(4478068 NLA)
0A	Bearing	1		(4478086 NLA)
0B	3040566	Bushing	2		(SUB FOR 4478089)
2	4478069	Axle	1		
3	4478070	Bushing	2		
4	AT171204	Seal	2		(SUB FOR 4478072)
5	4478082	Pin Fastener	2		
6	955986	O-Ring	2		(SUB FOR 4477912)
7	AT180007	Cover	2		(SUB FOR 4478084)
10	4S00674	Roller	1		(AT309605 NLA) (SUB FOR 4473720)
20	19M7937	Cap Screw	4		M24 X 140, (SUB FOR J932408)
21	4639643	Washer	4		

Track Chain Idler
Tendeur de chaîne de chenille
Rodillo tensor de cadena de oruga

TX1064564 A.1

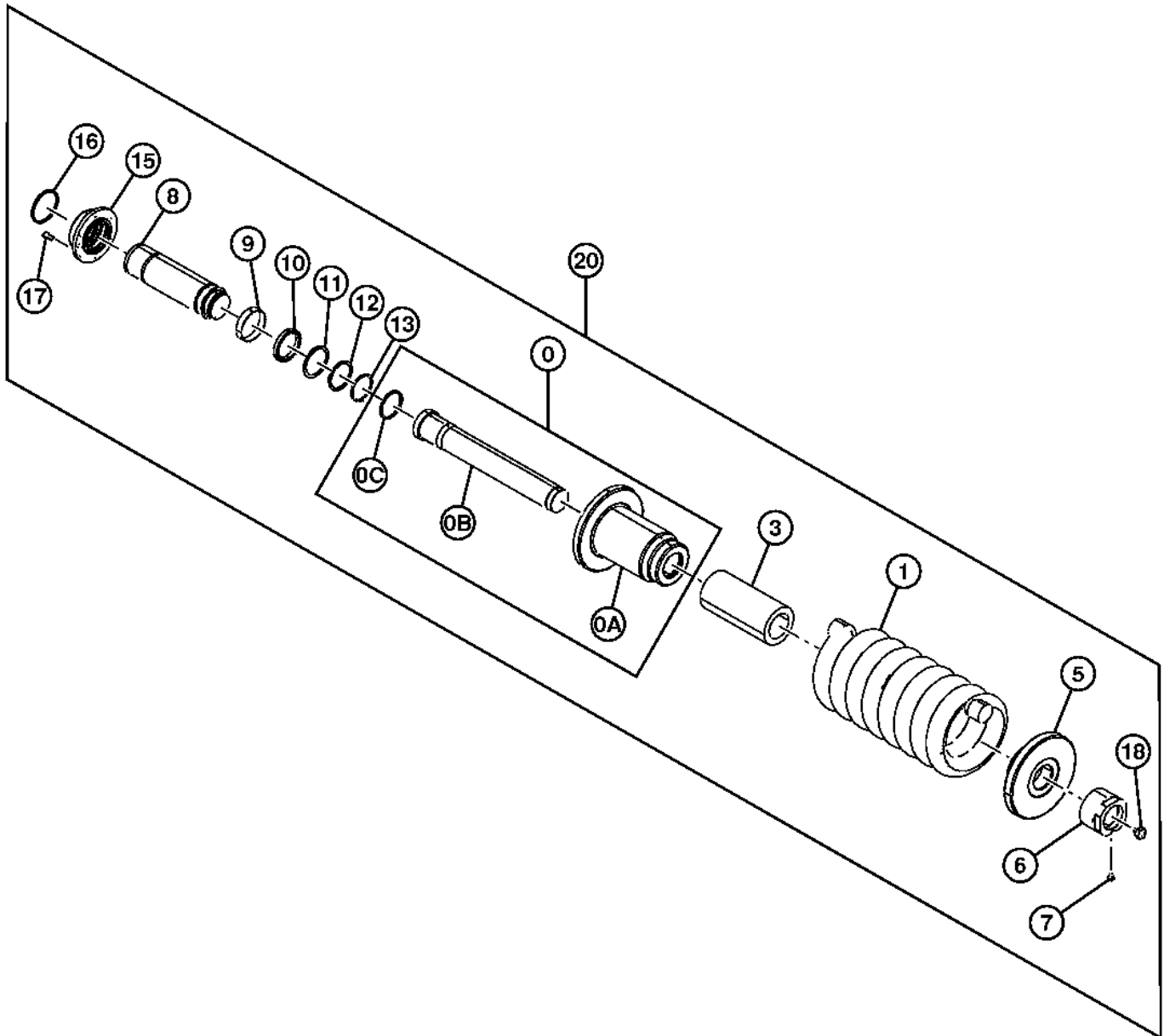


TX1064564

Key	Part No.	Part Name	Qty.	Serial No.	Remarks
0	Track Idler	1		(4640779 NLA)
1	4658414	Axle	1		
2	AT264340	O-Ring	2		(SUB FOR 992446)
3	4658415	Idler	1		
3A	Idler	1		(4658416 NSEP)
3B	2040431	Bushing	2		
5	4215452	Dowel Pin	2		
7	94-2011	Fitting Plug	2		
8	4637675	Seal Kit	2		
9	4658413	Bearing	2		
10	4658412	Idler	1		
51	4658417	Yoke	1		
52	19M7694	Cap Screw	4		M24 X 65, (SUB FOR J912465)
53	24M7243	Washer	4		25.400 X 50 X 6 mm, (SUB FOR 4085614)
54	8057897	Guard	1		
55	19M8011	Cap Screw	4		M12 X 30, (SUB FOR J901230)
56	24M7345	Washer	4		13.500 X 24 X 2.500 mm, (SUB FOR J222012)

Track Chain Adjuster
Dispositif de réglage de chaîne de chenille
Ajustador de cadena de oruga

TX1001279 A.1

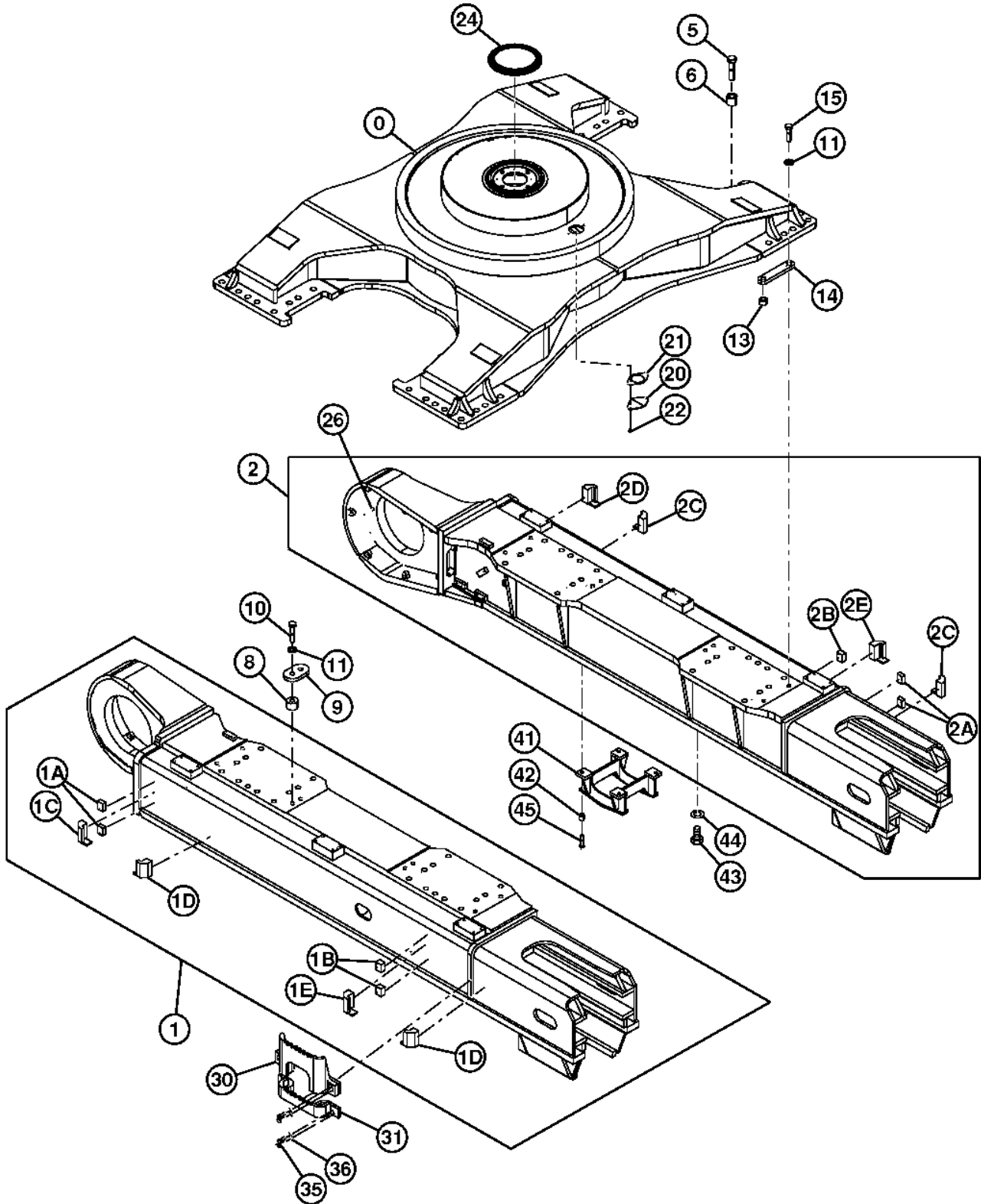


TX1001279

Key	Part No.	Part Name	Qty.	Serial No.	Remarks
0	9152609	Cylinder	1		
0A	3076303	Cylinder	1		
0B	2039460	Hydraulic Cylinder Rod	1		
0C	AT264222	O-Ring	1		(SUB FOR 4502700)
1	3103431	Spring	1		
3	4370470	Spacer	1		
5	3076012	Retainer	1		
6	4373195	Nut	1		
7	4215453	Bolt	1		
8	3069348	Rod	1		
9	4325289	Wear Ring	1		
10	4098184	Seal	1		
11	4098185	Back-Up Ring	1		
12	4098270	Ring	1		
13	991353	Snap Ring	1		
15	3067053	Guide	1		
16	4046608	O-Ring	1		
17	19M8531	Screw	6		M14 X 35, (SUB FOR M341430)
18	4255055	Valve	1		
20	Adjuster	1		(9244516 NLA)

Undercarriage Frame
Bâti de châssis porteur
Bastidor de base inferior

TX1001240 A.1

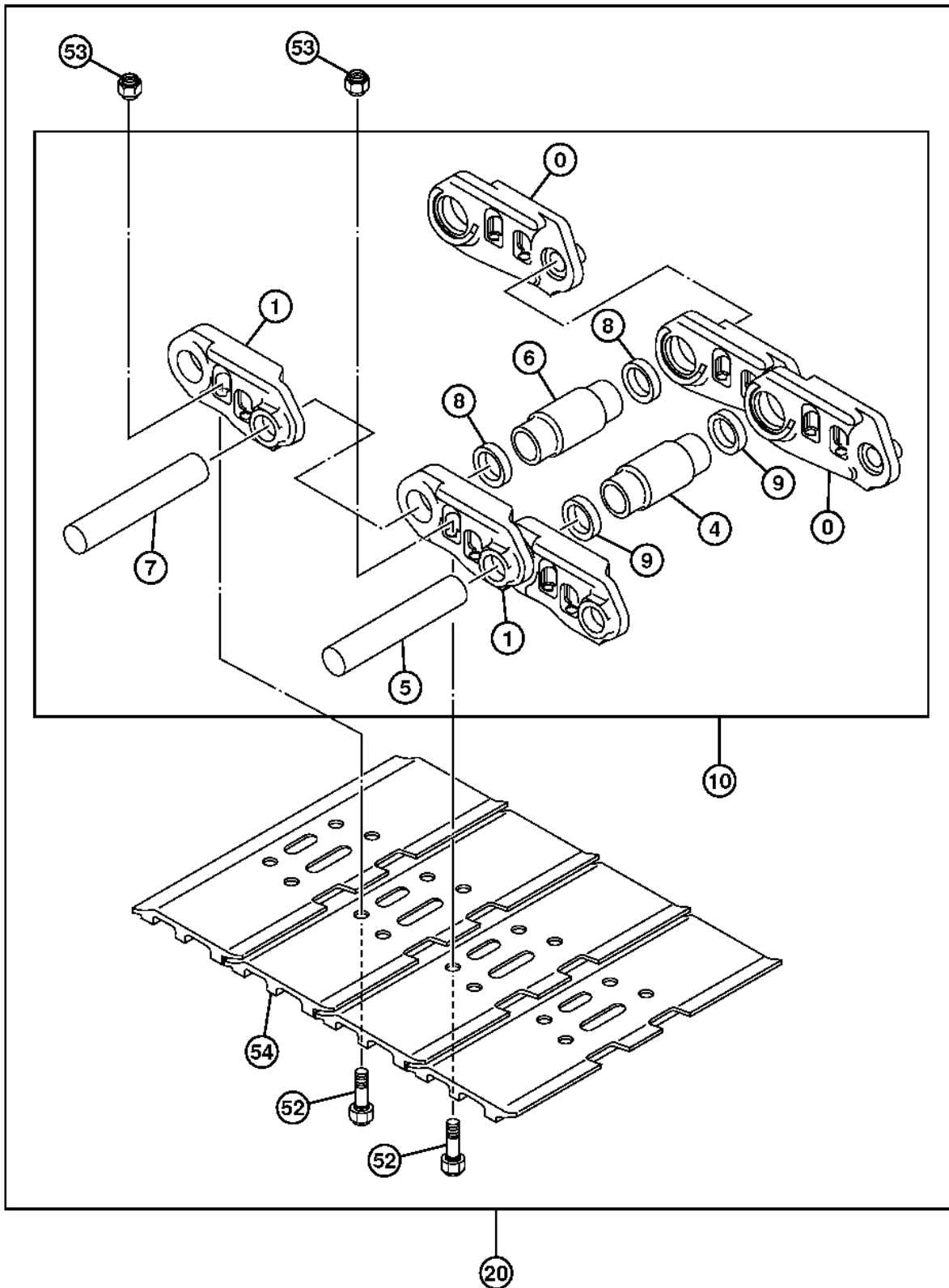


TX1001240

Key	Part No.	Part Name	Qty.	Serial No.	Remarks
0	5010260	Frame	1		
1	4641628	Frame	1		(RH)
1A	4638272	Bracket	6		
1B	4640730	Bracket	2		
1C	9755383	Bracket	1		
1D	9755384	Bracket	2		
1E	9764794	Bracket	1		
2	4641629	Frame	1		(LH)
2A	4638272	Bracket	6		
2B	4640730	Bracket	2		
2C	9755383	Bracket	2		
2D	9755384	Bracket	1		
2E	9764793	Bracket	1		
5	4218943	Bolt	36		
6	4218944	Spacer	36		
8	4643263	Spacer	8		
9	4207766	Lock Plate	4		
10	J833008	Bolt	8		
11	4114408	Washer	16		
13	4643264	Spacer	8		
14	4301532	Guide	4		
15	J833002	Bolt	8		
20	4013896	Cover	1		
21	4244172	Gasket	1		
22	Bolt	2		(J271020 NLA)
	19M7938	Cap Screw	1		M10 X 20, (SUB FOR J901020)
	24M7346	Washer	1		11 X 20 X 2 mm, (SUB FOR J222010)
24	4610571	Seal	1		
26	425175	Plug	4		
30	8127205	Step	4		(SUB FOR 8101295)
31	8068378	Step	4		
35	19M7409	Cap Screw	32		M16 X 50, (SUB FOR J901650)
36	24M7338	Washer	32		17 X 30 X 3 mm, (SUB FOR J222016)
41	6019584	Guard	4		
42	4277804	Spacer	16		
43	J912735	Bolt	20		
44	A590927	Lock Washer	20		
45	J932703	Bolt	16		

Track Chain Assembly
Chaîne de chenille
Conjunto de cadena de oruga

TX1001278 A.1

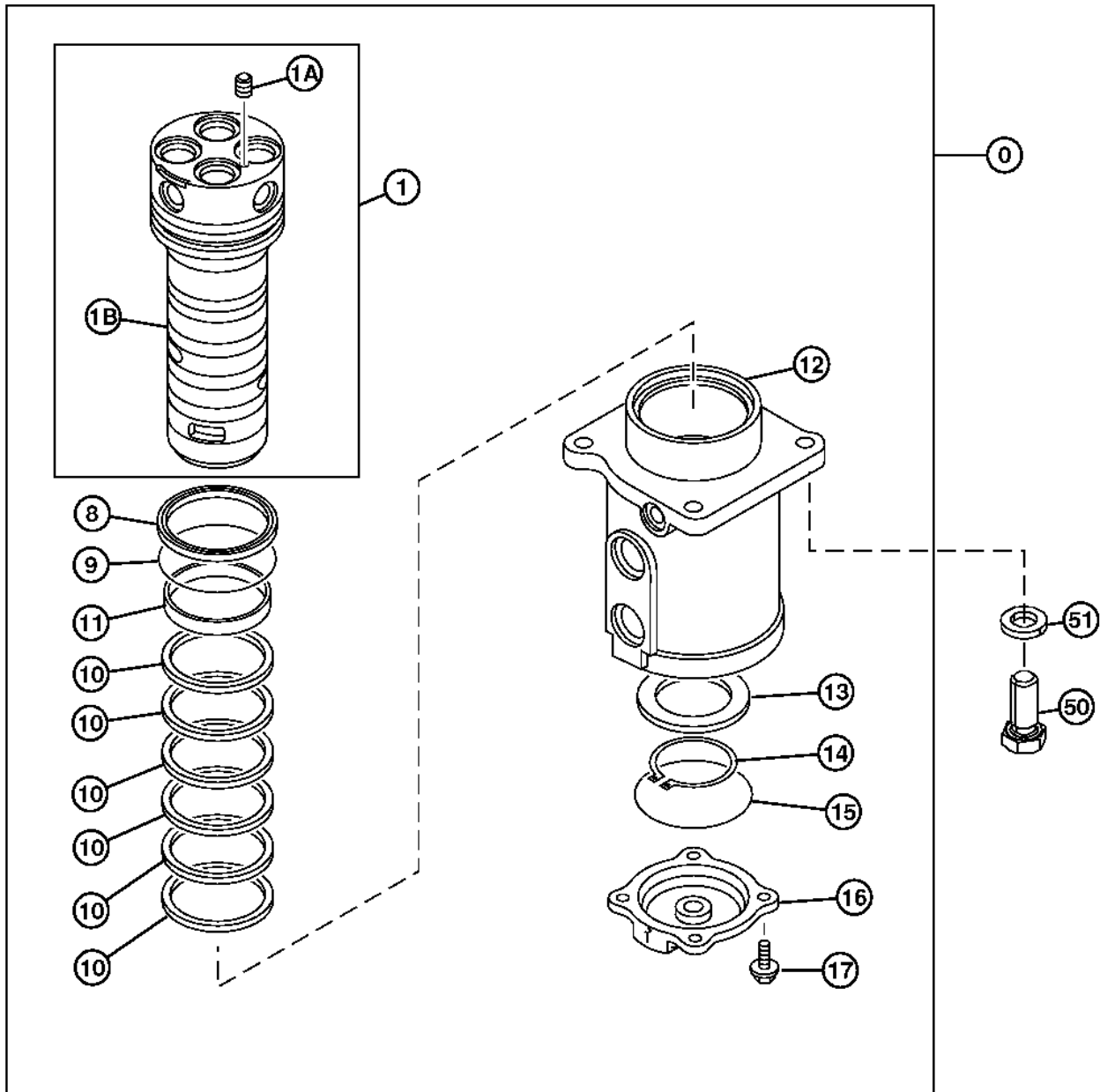


TX1001278

Key	Part No.	Part Name	Qty.	Serial No.	Remarks
0	1022315	Track Link	47		(SUB FOR 4345166)
1	1022316	Track Link	47		(SUB FOR 4345167)
4	4640126	Bushing	46		
5	3075265	Pin Fastener	46		(SUB FOR 4345170)
6	3073869	Bushing	1		Master Track Bushing, (SUB FOR 4218725)
7	4640127	Pin Fastener	1		Master Track Pin
8	4366137	Bushing	2		Master Track Seal, (SUB FOR 4345172)
9	4640128	Seal	184		
10	4674288	Track Chain W/O Shoes	1		(SUB FOR 9254119)
20	Track Assembly With Shoes	1		600 mm, (9261594 NLA)
	Track Assembly With Shoes	1		750 mm, (9295569 NLA)
	Track Assembly With Shoes	1		900 mm, (9261595 NLA)
52	4218740	Track Bolt	376		
53	4218741	Nut	376		
54	4651729	Double Bar Shoe	94		650 mm
	4656549	Double Bar Shoe	94		750 mm
	4651730	Double Bar Shoe	94		900 mm

Rotary Manifold
Collecteur rotatif
Colector giratorio

TX1064566 A.1

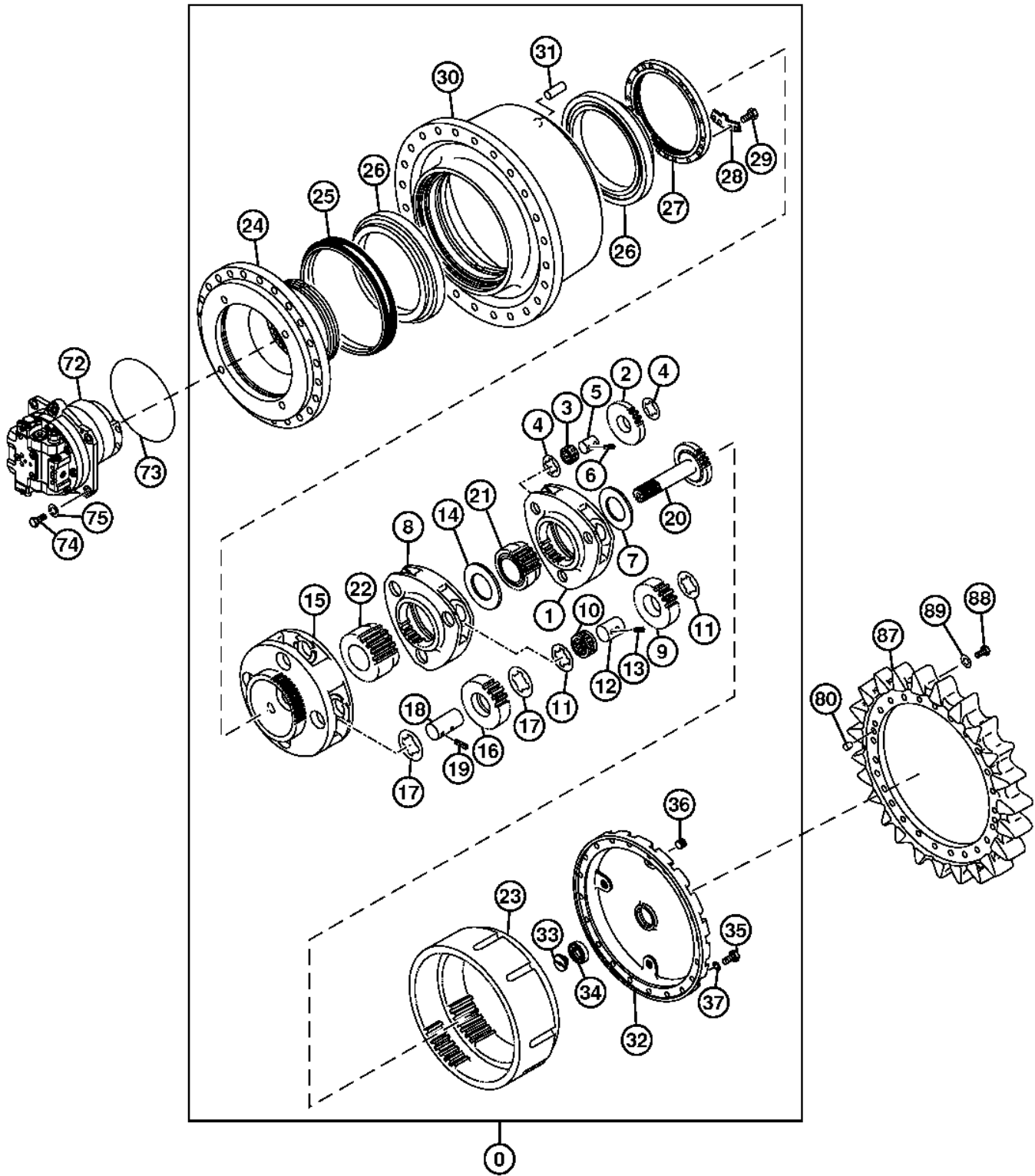


TX1064566

Key	Part No.	Part Name	Qty.	Serial No.	Remarks
0	9199789EX	Manifold	1		(REMAN FOR 9199789) (SUB FOR 9183296)
1	9186449	Spindle	1		
1A	4239610	Plug	1		
1B	Spindle	1		(0003590 NLA)
8	4408281	Seal	1		
9	AT264340	O-Ring	1		(SUB FOR 4430508 OR 992446)
10	4359550	Seal	6		
11	4359549	Bushing	1		
12	1027536	Housing	1		
13	4359548	Ring	1		
14	40M7150	Snap Ring	1		(SUB FOR 991350)
15	CH13523	Packing	1		(SUB FOR A810125)
16	3074241	Cover	1		
17	Screw With Washer	4		(J222010 NLA)
	19M8011	Cap Screw	4		M12 X 30, (SUB FOR J901230)
	24M7345	Washer	4		13.500 X 24 X 2.500 mm, (SUB FOR J222012)
50	19M7488	Cap Screw	4		M16 X 40, (SUB FOR J901640)
51	12H294	Lock Washer	4		5/8", (SUB FOR A590916)

Travel Motor Gearbox
Boîte d'engrenages de moteur de déplacement
Caja de engranajes de motor propulsor

TX1064567 A.1



TX1064567

This as a preview PDF file from best-manuals.com



Download full PDF manual at best-manuals.com