

**FENDT**

# FENDT 514NA S4

437/00101-05000  
WAM437XXX00F05001-99999



# PARTS CATALOG

# CONTENT

<b>TABLE OF CONTENT</b> .....	<b>2</b>
<b>ENGINE, FUEL AND EXHAUST SYSTEM</b> .....	<b>3</b>
CRANKCASE .....	6
MASS BALANCER GEAR .....	14
SET OF GASKETS .....	15
ADAPTER HOUSING .....	16
TRANSMITTER .....	17
CONNECTING PIPE FIXING PARTS .....	21
CRANKCASE BREATHER .....	22
FRONT COVER .....	23
GEARCASE .....	25
ADAPTER HOUSING .....	31
FEMALE .....	33
ENGINE MOUNTING .....	34
CYLINDER HEAD .....	36
VALVE COVER .....	37
ROCKER ARM .....	40
HEAD GASKET .....	41
VALVE DRIVE .....	42
CAMSHAFT .....	43
PISTON .....	44
CONNECTING ROD .....	46
CRANKSHAFT .....	47
MAIN BEARING .....	48
CRANKSHAFT .....	50
FLYWHEEL .....	51
OIL PAN .....	54
OIL FILLER .....	56
FILLER CAP .....	57
OIL FILTER .....	58
OIL COOLER .....	59
OIL COOLER FIXING PARTS .....	61
OIL COOLER BOX .....	62

COOL.WATER PIPING .....	63
OIL COOLER .....	64
ELECTRIC WIRING .....	65
CONNECTING PIPE .....	66
CONNECTING PIPE FIXING PARTS .....	67
CABLE LOOM MOTOR .....	68
FUEL FILTER .....	73
FUEL LINES .....	74
FUEL PUMP .....	76
HIGH-PRESSURE PUMP .....	78
HIGH-PRESSURE PUMP FIXING PARTS .....	79
HIGH-PRESSURE PUMP .....	80
INJECTOR .....	81
HIGH-PRESSURE ACCUM.. .....	83
METERING UNIT .....	85
FUEL PRESSURE LINES .....	87
CHARGED AIR .....	88
SENSOR .....	89
EGR-MODULE .....	90
CHARGE AIR ELBOW ATTACHMENT .....	93
CHARGE AIR ELBOW WIRE .....	94
WATER PUMP .....	95
WATER PUMP V-BELT PULLEY .....	96
WATER PUMP FIXING PARTS .....	97
WATER PUMP CONNECTING SOCKET .....	98
THERMOSTAT HOUSING .....	99
V-BELT .....	103
TENSION ROLLER .....	104
FAN SUPPORT .....	105
HEATING CONNECTION .....	108
EXHAUST BEND .....	109
EXHAUST BEND FIXING PARTS .....	110
TURBO-SUPERCHARGER FIXING PARTS .....	111
TURBO-SUPERCHARGER .....	112
GUARDS LUBE OIL LINE .....	115
ENGINE MOUNTINGS LEFT HAND .....	116

ENGINE MOUNTINGS RIGHT HAND .....	117
CYLINDER HEAD .....	118
CRANKCASE BREATHER.....	119
FLYWHEEL COVER .....	120
CHARGE AIR ELBOW HEATING-FLANGE .....	121
FUEL LINES .....	122
FUEL TANK.....	126
PREFILTER.....	127
COOL. WATER PIPING .....	128
COOL. WATER PIPING WATER COOLED RADIATOR.....	130
WATER COOLED RADIATOR .....	131
BOOST INTERCOOLING.....	133
BULKHEAD.....	135
AIR FILTER.....	136
EXHAUST END PIPE .....	137
EXHAUST BEND.....	138
EXHAUST AFTER-TREATMENT .....	139
EXHAUST AFTER-TREATMENT PARTICLE FILTER .....	142
EXHAUST AFTER-TREATMENT TANK ADBLUE.....	144
EXHAUST AFTER-TREATMENT SUPPLY UNIT.....	146
EXHAUST AFTER-TREATMENT PIPING .....	147
VISCO FAN.....	149
ENGINE PRE-HEATER.....	151
<b>AXLES.....</b>	<b>152</b>
AXLE BRIDGE .....	153
DRIVE .....	154
JOINT SHAFTS .....	156
PLANETARY DRIVE .....	158
JOINT HOUSING.....	159
STEERING CYLINDER ASSEMBLY .....	160
TIE ROD.....	161
STEERING CYL.GUARD .....	162
PIPES STEERING CYL.....	163
UNIVERSAL JOINT .....	164
SHAFT PROTECTION.....	165
SPRING ASSEMBLY.....	166

SENSOR SWING ANGLE .....	167
SPRING CYLINDER .....	168
TUBES FR.AXLE SPRING .....	169
FRONT WEIGHT CARRIER .....	170
HOOP GUARD .....	171
FRONT WEIGHT CARRIER FRONT AXLE WEIGHT .....	172
FRONT BALLAST WEIGHT .....	173
CHASSIS .....	174
<b>STEERING SYSTEM .....</b>	<b>175</b>
STEERING WHEEL .....	176
STEERING COLUMN .....	177
MOUNTING UNIT .....	179
STEERING UNIT .....	181
<b>DRIVE TRAIN SYSTEM .....</b>	<b>183</b>
DRIVE TRAIN SYSTEM .....	183
GEARBOX HOUSING .....	184
REAR AXLE HOUSING .....	185
REAR AXLE COVER .....	186
VALVE SYST.COMFORT .....	187
OIL LEVEL INDICATOR .....	188
DIFFERENTIAL .....	189
FINAL DRIVE .....	190
DISC BRAKE .....	192
FOOT BRAKE ACTUATING .....	193
BRAKE BOOSTER .....	195
PIPES BRAKE SYSTEM .....	196
BRAKE PIPE .....	197
SHUTTLE VALVE TRAILER BRAKE VALVE .....	198
ACTUATING CYLINDER .....	199
HAND BRAKE LEVER .....	200
HAND BRAKE ACTUATING .....	201
HAND BRAKE VALVE .....	202
PIPES BRAKE SYSTEM HANDBRAKE .....	203
HANDBRAKE BRAKE CYLINDER .....	204
CLUTCH ACTUATING .....	205
CLUTCH DISC .....	206

GEAR .....	207
COVER .....	208
SUSPENSION GEAR .....	209
BEVEL DRIVE .....	210
DUCT PLATE .....	211
ADJUSTING DEVICE .....	212
TUBES SYSTEM COMFORT .....	214
GROUP GEAR SHIFTING .....	215
P.T.O. CLUTCH .....	216
ENGINE P.T.O. BRAKE ASSEMBLY .....	217
ENGINE P.T.O. ....	218
ENGINE P . T . O .....	219
ENGINE P.T.O. ....	220
FLANGE ENGINE P.T.O. ....	221
P.T.O. ACTUATING .....	222
PUMP DRIVE .....	224
PUMP INSTALLATION .....	225
LUBE OIL PUMP .....	226
GEAR BOX LUBRICATION .....	227
GEAR BOX LUBRICATION INTERIOR .....	228
VALVE UNIT FILTER .....	229
PIPES GENERAL MEASURING POINT .....	230
PIPES OIL COOLER .....	231
VALVE UNIT GROUP GEAR SHIFTING .....	233
PIPES DIFF.LOCK FR. ....	234
FRONT P.T.O. PROPEL .....	235
FRONT P.T.O. CLUTCH .....	236
FRONT P.T.O. GEARBOX .....	237
FRONT P.T.O. HOUSING .....	238
FRONT P.T.O. ....	239
FRONT WHEEL DRIVE CONSTANT .....	240
FRONT WHEEL DRIVE SHAFT .....	241
FRONT WHEEL DRIVE COUPLER .....	242
<b>COMPRESSED AIR SYSTEM .....</b>	<b>243</b>
AIR PRESSER .....	244
PRESSURE PIPES .....	245

BRAKE-ARMATURES INST. ....	247
PRESSURE REGULATOR SPILL-VALVE. ....	248
BRAKE-ARMATURES INST. ....	249
FITTINGS DRIVER SEAT. ....	251
AIR TANK ....	252
DEFROSTING PUMP ....	254
AIR DRYER. ....	255
DOUBLE PIPE BRAKE. ....	256
DOUBLE PIPE BRAKE DUOMATIC CLUTCH. ....	257
DOUBLE PIPE BRAKE ITALY. ....	258
AIR BRAKE SINGLE ....	259
<b>HYDRAULIC SYSTEM. ....</b>	<b>261</b>
HYDRAULIC SYSTEM ....	261
06-0029 CONTROL VALVE SOUBLE ACTING ....	261
JOINTS AND GASKETS PLUMBING ASSEMBLY ....	262
PUMP INSTALLATION POWER VERSION. ....	263
PUMP INSTALLATION ....	264
PUMP INSTALLATION PROFI VERSION. ....	265
PIPES BASIC CIRCUIT PISTON PUMP ....	266
PIPES BASIC CIRCUIT. ....	268
TRAILER BRAKE VALVE. ....	269
PIPES HD.TRAIL.BRAKE. ....	270
PIPES-WITH OIL COOL. ....	272
PIPES POWER-LIFT SINGLE ACTING. ....	273
SHIFT SINGLE ACTING. ....	274
PIPES POWER-LIFT SOUBLE ACTING ....	275
PRESS. RELIEF VALVE SOUBLE ACTING. ....	276
PIPES HYDR. STEERING ....	277
PIPES EL.HYDR.STEER. VARIO GUIDE ....	278
VALVE INSTALLATION PROFI. ....	279
VALVE INSTALLATION POWER VERSION. ....	281
VALVE UNIT ....	283
DIRECTIONAL C. VALVE PROFI ....	284
DIRECTIONAL C. VALVE POWER VERSION. ....	287
CONTROL VALVE SINGLE ACTING. ....	289
CONTROL VALVE SOUBLE ACTING. ....	292

DIRECTIONAL C. VALVE FRONT POWER LIFT.....	295
SPACER .....	298
END PLATE LOWER.....	299
END PLATE SIDE .....	300
HYDR.CONN. D.A. REAR 1.1 .....	302
HYDR.CONN. D.A. REAR 1.2 .....	303
HYDR.CONN. D.A. REAR 1.3 .....	304
HYDR.CONN. D.A. REAR 1.4 .....	305
HYDR.CONN. D.A. REAR 1.5 .....	306
COUPLING SLEEVE LEVER.....	307
LEAK OIL LINE LEVER COUPLING.....	309
LEAK OIL LINE CONNECT UNDER PRESSURE (CUP) COUPLING .....	311
EXT.PLESS.CONNECTION.....	313
RETURN FLOW CASEDRAIN.....	314
RETURFLOW REAR.....	315
HYDR.CONN. D.A.FRONT PROFI VERSION.....	316
HYDR.CONN. D.A.FRONT POWER VERSION .....	318
BOTTLE FRONT .....	319
RETURN FLOW FRONT.....	320
<b>ELECTRICAL SYSTEM.....</b>	<b>321</b>
ELECTRICAL SYSTEM.....	321
07-0040 WORK LAMP CABIN-ROOF FRONT 2382076.....	321
DYNAMO.....	322
ALTERNATOR .....	323
HEADLIGHT .....	324
LIGHTS FRONT .....	325
LIGHTING .....	326
CONTROL PART.....	327
CENTRAL ELECTRIC SYSTEM .....	328
SWITCH DRIVERS CAB.....	330
IGNITION SWITCH .....	331
IGNITION SWITCH IMMOBILIZER SYSTEM.....	332
COLUMN ASSEMB.SWITCH.....	333
SWITCHES MOTOR .....	334
TRANSMITTER EXHAUST AFTER-TREATMENT .....	335
SWITCH.....	336



TRANSMITTER GEAR .....	337
CABLE LOOM SUPPLY .....	339
CABLE LOOM VALVES .....	340
CABLE LOOM BODY LEFT .....	341
CABLE LOOM BODY RIGHT .....	343
CABLE LOOM SUPPLY .....	345
CABLE LOOM DRIVERS CAB .....	346
CABLE LOOM CABIN ROOF .....	348
CABLE LOOM CAMERA .....	349
DISCONNECTION POINTS .....	351
SOCKET F. IMPLEMENTS .....	356
CABLE LOOM EXTERNAL COUNTER .....	357
REVERSE DRIVING IMPLEMENT .....	358
SOCKET FOR ABS .....	359
BATTERY DISCONNECT RELAY .....	360
BATTERY INSTALLATION .....	361
STARTER INSTALLATION .....	362
SOCKET FRONT .....	364
SOCKET REAR .....	365
ADDITIONAL LIGHTING .....	366
WORK LAMP CABIN-ROOF FRONT .....	367
WORK LAMP INDICATOR BRACKET .....	371
WORK LAMP CABIN-ROOF REAR .....	373
WORK LAMP REAR LIGHT CARRIER .....	375
WORK LAMP EXTENDET VEHICLE WIDTH .....	377
SIGNAL LIGHT .....	379
SIGNAL LIGHT LED .....	380
LIGHTING EXTENDET VEHICLE WIDTH .....	381
DISPLAY .....	382
TERMINAL .....	383
RADAR SENSOR .....	384
ELECTRONIC BOX .....	385
CONTROL .....	386
ARM REST .....	387
COMFORT SYSTEM ISOBUS .....	388
TACHOGRAPH .....	389

CONTROL UNIT MOTOR.....	390
CONTROL UNIT.....	391
<b>CAB.....</b>	<b>392</b>
CABIN FRAME.....	397
COLUMN PANELLING.....	399
MOUNTING PARTS.....	401
ROOF.....	402
ROOF HATCH.....	403
COATING ROOF.....	405
COATING.....	406
LEFT HAND DOOR.....	407
DOOR LOCK.....	408
RIGHT HAND DOOR.....	409
DOOR LOCK.....	410
WINDSCREEN.....	411
SIDE PANE.....	412
REAR WINDOW PANE.....	413
FLOOR COVERING.....	414
COATING.....	416
DRIVERS-CABIN OUTFIT.....	418
SUPPORT BRACKET TERMINAL.....	419
CELL PHONE SUPPORT BRACKET.....	420
INTERIOR LIGHTING.....	421
RADIO INSTALLATION KIT.....	422
REAR VIEW MIRROR.....	424
REARVIEW MIRROR.....	428
SUN VISOR.....	429
WINDSHIELD WIPER.....	430
WINDSCREEN WASH-INST.....	434
TUBES HEATING.....	437
AERATION.....	438
INSTRUCTOR SEAT PROFI.....	442
INSTRUCTOR SEAT POWER VERSION.....	443
INSTRUCTOR SEAT.....	444
PIPING DRIVER SEAT.....	446
ARM SUPPORT.....	447

DRIVER SEAT .....	448
OPERATOR SEAT.....	449
DRIVER SEAT .....	450
COMPRESSOR .....	451
SEAT SPRING ASSY .....	452
SERVICE PACKAGE.....	455
SAFETY BELT OPERATOR SEAT.....	456
OPERATOR SEAT.....	458
DRIVER SEAT .....	460
SEAT SPRING ASSY .....	465
ARM REST .....	471
OPERATOR SEAT.....	472
SEAT SPRING ASSY .....	475
BASE PLATE .....	478
OPERATOR SEAT 3PKT BELT.....	479
SECURITY BELT 3PKT BELT.....	482
SEAT SPRING ASSY 3PKT BELT .....	483
OPERATOR SEAT.....	486
DRIVER SEAT .....	490
OPERATOR SEAT.....	491
SEAT SPRING ASSY .....	492
<b>AIR CONDITIONING AND HEATING SYSTEM .....</b>	<b>495</b>
COMPRESSOR INSTALL.....	496
TUBES F.REFRIG.FLUID.....	497
CONDENSER.....	498
<b>CHASSIS .....</b>	<b>499</b>
BODY .....	500
TRACTOR HOOD .....	503
FRONT MODULE.....	506
SIDE PART .....	508
HOOD SUPPORT .....	510
TOOLS.....	511
TOOL BOX .....	512
ENTRY LEFT .....	513
ENTRY RIGHT.....	514
ENTRY RIGHT SPLASH-GUARD.....	515

BASE FOR FRAME .....	516
BASE FOR FRAME REAR .....	517
AIR PIPE REAR .....	518
LABELING .....	519
WARNING PLATE .....	524
BASE .....	525
<b>WHEELS .....</b>	<b>526</b>
DISC WHEELS REAR 16 X 38 .....	527
DISC WHEELS REAR 18 X 38 .....	528
DISC WHEELS REAR 20 X 38 .....	529
DISC WHEELS REAR 23 X 38 .....	530
DISC WHEELS REAR 25 X 38 .....	531
ADJUSTAB.REAR WHEELS .....	532
ADJUSTAB.REAR WHEELS 15 X 38.....	533
ADJUSTAB.REAR WHEELS 16 X 42.....	534
SUPPORTING RING TAIL WHEEL .....	536
FRONT DISC WHEELS 15 X 24 .....	537
FRONT DISC WHEELS 16 X 24 .....	538
FRONT DISC WHEELS 15 X 26 .....	539
FRONT DISC WHEELS 12 X 28 .....	540
FRONT DISC WHEELS 14 X 28 .....	541
FRONT DISC WHEELS 15 X 28 .....	542
FRONT DISC WHEELS 16 X 28 .....	543
FRONT DISC WHEELS 18 X 28 .....	544
FRONT DISC WHEELS 20 X 28 .....	545
ADJUST. FRONT WHEELS .....	546
ROW CROP WHEELS REAR .....	548
MUD GUARD RIGID .....	549
SWIVELLING MUDGUARD .....	550
TRACK ADJUSTMENT .....	552
WHEEL HUB .....	553
MUDGUARD REAR .....	554
MUDGUARD ENLARGEMENT .....	555
<b>IMPLEMENT LIFT SYSTEM FRONT .....</b>	<b>560</b>
CHASSIS FRONT POWER LIFT .....	561
DOUBLE ACTING HYDRAULIC CYLINDER .....	562

TUBE FRONT .....	563
TUBE CENTER .....	565
TUBE RELIEF VALVE .....	566
VALVE UNIT .....	567
TUBE RETURN FLOW .....	568
SENSOR COMFORT SYSTEM .....	569
TOP LINK .....	570
TOP LINK SUPPORT BRACKET .....	571
BOTTOM LINK .....	572
<b>IMPLEMENT LIFT SYSTEM REAR .....</b>	<b>573</b>
POWER LIFT .....	574
DOUBLE ACTING HYDRAULIC CYLINDER .....	576
OIL TANK PROFI VERSION .....	577
OIL TANK POWER VERSION .....	578
OIL TANK CLAMPING PARTS .....	579
DRAFT PIN .....	580
SENSOR .....	581
EL.HD.REMOTE CONTROL .....	582
LIFT ARMS .....	583
SUPPORT LEFT HAND .....	585
SUPPORT RIGHT HAND .....	586
UPPER LINK .....	587
LINK HOLDER .....	588
HYDR. UPPER LINK 70MM .....	589
HYDR. UPPER LINK 90MM .....	592
LINK HOLDER HYDR. UPPER LINK .....	594
HYDR. UPPER LINK CLAMPING PARTS .....	595
LOWER LINKS .....	596
BALL RETAINER .....	597
<b>LINKAGE .....</b>	<b>598</b>
TRAILER HITCH .....	599
BALL TYPE CLEVIS .....	604
RETAINER .....	605
BALL TYPE CLEVIS .....	606
FORCED STEERING .....	607
PITON FIX .....	608

BOTTOM HITCH ASSY.....	609
REMOTE CONTROL.....	610
<b>FRONT/REAR LOADERS.....</b>	<b>611</b>
FRONT/REAR LOADERS.....	611
15-0028 EQUIPMENT 4TH HYDR. CIRCUIT.....	611
MOUNTING FRAME.....	612
HOOD PROTECTION.....	613
MOUNTING BRACKET.....	614
HOIST.....	615
JACK ASSEMBLY.....	616
REVERSING LEVER.....	617
DUMPING CYLINDER.....	618
DUMPING CYLINDER CARGO PROFESSIONAL.....	619
PARALLELOGR.MOUNTING.....	620
LIFT CYLINDER 75MM.....	621
LIFT RAM 80MM.....	622
FAST COUPL.FRAME EURO.....	623
CYLINDER HYDRAULIC LOCK.....	625
FAST COUPL.FRAME UNIVERSAL.....	626
CYLINDER HYDRAULIC LOCK.....	629
VALVE BLOCK ASSEMBLY FAST COUPL.FRAME.....	630
PIPING LIFT ARM.....	631
PIPING PARALLELOGRR.....	632
VALVE BLOCK ASSEMBLY.....	633
VALVE BLOCK ASSEMBLY 3RD HYDR. CIRCUIT.....	634
VALVE BLOCK ASSEMBLY 3/4. HYDR. CIRCUIT.....	635
EQUIPMENT 3RD HYDR. CIRCUIT.....	636
EQUIPMENT 4TH HYDR. CIRCUIT.....	637
EQUIPMENT 3RD HYDR. CIRCUIT.....	638
EQUIPMENT 4TH HYDR. CIRCUIT.....	639
MULTI-COUPLING EQUIPMENT.....	640
DAMPING.....	641
SOLENOID VALVE DAMPING.....	642
CONNECTING PIPE.....	643
MULTI-COUPLING.....	644
MULTI-COUPLING TUBE.....	645

ELECTRICAL KIT FRONTENDLOADER MOUNTED .....	646
ELECTRICAL KIT TRACTOR MOUNTED .....	647
ELECTRICAL KIT CARGO PROFESSIONAL .....	648
SILAGE BUCKET 1800 .....	652
SILAGE BUCKET 2200 .....	653
HYDRAULIC EQUIPMENT SILAGE GRAPPLE .....	654
HYDR. CYLINDER SILAGE GRAPPLE .....	655
BALE GRAB .....	656
HYDRAULIC EQUIPMENT BALE GRAB .....	657
HYDR. CYLINDER BALE GRAB .....	658
MANURE FORK .....	659
BALE FORK .....	660
UNIVERSAL SCOOP .....	661
LIGHT GOODS BUCKET .....	662
HEAVY GOODS BUCKET .....	663
PALLET FORK .....	665
<b>PRECISION FARMING SYSTEMS .....</b>	<b>666</b>
CABLE LOOM VARIOGUIDE .....	667
VARIOGUIDE NOVATEL .....	668
VARIOGUIDE TRIMBLE .....	669
CABLE LOOM AGCO CONNECTIVITY MODULE (ACM) .....	670
AGCO CONNECTIVITY MODULE (ACM) .....	671
<b>ACCESSORIES .....</b>	<b>672</b>
WHEEL WEDGE MOUNTING .....	673
EMERGENCY PACK .....	674
TOOLBAR .....	675
BALL SLEEVE LOWER LINKS .....	676
BALL SLEEVE UPPER LINK .....	677
FLANGE TAIL WHEEL .....	678
LOADING WEIGHT TAIL WHEEL .....	679
LOADING WEIGHT .....	682
CARRIER .....	685
HITCH LOADING WEIGHT .....	686

Page Number	Page Title	Page Reference
01-000-TOC	ENGINE, FUEL AND EXHAUST SYSTEM	01-000-TOC
02-000-TOC	AXLES	02-000-TOC
03-000-TOC	STEERING SYSTEM	03-000-TOC
04-000-TOC	DRIVE TRAIN SYSTEM	04-000-TOC
05-000-TOC	COMPRESSED AIR SYSTEM	05-000-TOC
06-000-TOC	HYDRAULIC SYSTEM	06-000-TOC
07-000-TOC	ELECTRICAL SYSTEM	07-000-TOC
08-000-TOC	CAB	08-000-TOC
09-000-TOC	AIR CONDITIONING AND HEATING SYSTEM	09-000-TOC
10-000-TOC	CHASSIS	10-000-TOC
11-000-TOC	WHEELS	11-000-TOC
12-000-TOC	IMPLEMENT LIFT SYSTEM FRONT	12-000-TOC
13-000-TOC	IMPLEMENT LIFT SYSTEM REAR	13-000-TOC
14-000-TOC	LINKAGE	14-000-TOC
15-000-TOC	FRONT/REAR LOADERS	15-000-TOC
16-000-TOC	PRECISION FARMING SYSTEMS	16-000-TOC
17-000-TOC	ACCESSORIES	17-000-TOC



Fendt			F437105
FENDT 514NA S4 (437/00101-05000) (WAM437XXX00F05001-99999)			F437105
ENGINE, FUEL AND EXHAUST SYSTEM			Page01-000-TOC
Page Number	Page Title	Page Reference	
01-0001	CRANKCASE UP TO ENGINE S/N 11776650	1911544	
01-0002	CRANKCASE FROM - UP TO ENGINE S/N 11776651 - 12290735	1914301	
01-0003	CRANKCASE FROM ENGINE S/N 12290736	2591409	
01-0004	CRANKCASE BLANKING PARTS	1910562	
01-0005	CRANKCASE PISTON COOL.NOZZLE	1910686	
01-0006	CRANKCASE LOCKING PLUG	1910533	
01-0007	CRANKCASE BLANKING PARTS UP TO ENGINE S/N 12125465	1910702	
01-0008	CRANKCASE BLANKING PARTS FROM ENGINE S/N 12125466	2576799	
01-0009	MASS BALANCER GEAR	1911270	
01-0010	SET OF GASKETS ENGINE	1911429	
01-0011	ADAPTER HOUSING	1915270	
01-0012	TRANSMITTER ENGINE SPEED EDC ENGINE NUMBER -->11613728	1911273	
01-0013	TRANSMITTER ENGINE SPEED EDC ENGINE NUMBER <--11613729	1911271	
01-0014	TRANSMITTER ENGINE SPEED EDC	1911308	
01-0015	TRANSMITTER ENGINE SPEED FASTENINGS	1911310	
01-0016	CONNECTING PIPE - FIXING PARTS	1914341	
01-0017	CRANKCASE BREATHER	1913985	
01-0018	FRONT COVER INTEGRATED OIL PUMP	1911420	
01-0019	FRONT COVER FASTENINGS	1910690	
01-0020	GEARCASE ENGINE NUMBER -->11776651 <--11805110 -->1208616	1911566	
01-0021	GEARCASE FROM - UP TO ENGINE S/N 1208617 - 12320115	2306790	
01-0022	GEARCASE FROM ENGINE S/N 12320116	2576624	
01-0023	GEARCASE ENGINE NUMBER 11776651 <--11779673-->11779675	1915382	
01-0024	GEARCASE BLANKING PARTS	1910699	
01-0025	GEARCASE LOCKING PLUG	2575912	
01-0026	ADAPTER HOUSING FASTENINGS	1910695	
01-0027	ADAPTER HOUSING	1899364	
01-0028	FEMALE CONNECTION	1917000	

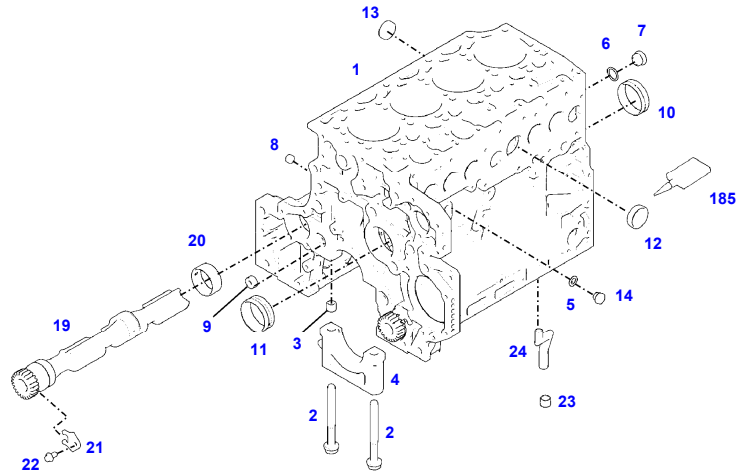
Fendt			F437105
FENDT 514NA S4 (437/00101-05000) (WAM437XXX00F05001-99999)			F437105
ENGINE, FUEL AND EXHAUST SYSTEM			Page01-000-TOC
Page Number	Page Title	Page Reference	
01-0029	ENGINE MOUNTING ENGINE NUMBER -->11604144	1915283	
01-0030	ENGINE MOUNTING ENGINE NUMBER <--11613729	1911351	
01-0031	CYLINDER HEAD	1915225	
01-0032	VALVE COVER ENGINE NUMBER -->11779675	1911425	
01-0033	VALVE COVER ENGINE <--11805110 --> 12045764	1915254	
01-0034	VALVE COVER ENGINE <--12045765	2306782	
01-0035	ROCKER ARM	1913908	
01-0036	HEAD GASKET	1911424	
01-0037	VALVE DRIVE	1915253	
01-0038	CAMSHAFT	1911567	
01-0039	PISTON UP TO ENGINE S/N 11948102	1915287	
01-0040	PISTON FROM ENGINE S/N 11948103	2180772	
01-0041	CONNECTING ROD	1911311	
01-0042	CRANKSHAFT	1911383	
01-0043	MAIN BEARING UP TO ENGINE S/N 11961709	1911347	
01-0044	MAIN BEARING FROM ENGINE S/N 11961710	2180913	
01-0045	CRANKSHAFT V-BELT PULLEY	1911499	
01-0046	FLYWHEEL	1911348	
01-0047	FLYWHEEL FASTENINGS	1910696	
01-0048	FLYWHEEL LOCKING PLUG	1910687	
01-0049	OIL PAN	1911573	
01-0050	OIL PAN	1910685	
01-0051	OIL FILLER	1912723	
01-0052	FILLER CAP OIL DIPSTICK	1910697	
01-0053	OIL FILTER	1915290	
01-0054	OIL COOLER	1913919	
01-0055	OIL COOLER	1915288	
01-0056	OIL COOLER - FIXING PARTS	1913909	
01-0057	OIL COOLER BOX BLANKING PARTS	1915291	
01-0058	COOL.WATER PIPING OIL COOLER BOX	1915357	
01-0059	OIL COOLER	1915217	
01-0060	ELECTRIC WIRING RELAY ALTERNATOR	1917008	
01-0061	CONNECTING PIPE	1914328	
01-0062	CONNECTING PIPE - FIXING PARTS	1914344	
01-0063	CABLE LOOM - MOTOR UP TO ENGINE S/N 12064026	1917069	
01-0064	CABLE LOOM - MOTOR FROM - UP TO ENGINE S/N 12064027 - 12241782	2306840	
01-0065	CABLE LOOM - MOTOR FROM - UP TO ENGINE S/N 12241783 - 12249065	2576565	
01-0066	CABLE LOOM - MOTOR FROM ENGINE S/N 12251432	2576573	

Fendt			F437105
FENDT 514NA S4 (437/00101-05000) (WAM437XXX00F05001-99999)			F437105
ENGINE, FUEL AND EXHAUST SYSTEM			Page01-000-TOC
Page Number	Page Title	Page Reference	
01-0067	CABLE LOOM - MOTOR FASTENINGS	1914594	
01-0068	FUEL FILTER	1914380	
01-0069	FUEL LINES PRESSURE TRANSDUCER FUEL UP TO ENGINE S/N 12192563	1915219	
01-0070	FUEL LINES PRESSURE TRANSDUCER FUEL FROM ENGINE S/N 12192564	2576694	
01-0071	FUEL PUMP	1911409	
01-0072	FUEL PUMP FASTENINGS	1910698	
01-0073	HIGH-PRESSURE PUMP	1911362	
01-0074	HIGH-PRESSURE PUMP - FIXING PARTS	1911307	
01-0075	HIGH-PRESSURE PUMP ROLLER TAPPET	1911430	
01-0076	INJECTOR UP TO ENGINE S/N 11908105	1915286	
01-0077	INJECTOR FROM ENGINE S/N 11908106	1972600	
01-0078	HIGH-PRESSURE ACCUM. SENSOR HIGH PRESSURE PRESSURE RELIEF VALVE 12192563	1911426	
01-0079	HIGH-PRESSURE ACCUM. SENSOR HIGH PRESSURE PRESSURE RELIEF VALVE FROM ENGINE S/N 12192564	2576632	
01-0080	METERING UNIT	1911419	
01-0081	METERING UNIT FASTENINGS	1911431	
01-0082	FUEL PRESSURE LINES HIGH PRESSURE PUMP/FUEL CONTROL UNIT	1911427	
01-0083	CHARGED AIR	1911504	
01-0084	SENSOR BUST PRESSUR INTERCOOLER TEMPERATURE EDC	1911502	
01-0085	EGR-MODULE	1915242	
01-0086	EGR-MODULE UP TO ENGINE S/N 11776650	1915243	
01-0087	EGR-MODULE FROM ENGINE S/N 11776651	2180954	
01-0088	CHARGE AIR ELBOW - ATTACHMENT	1913987	
01-0089	CHARGE AIR ELBOW - WIRE	1915224	
01-0090	WATER PUMP	1915296	
01-0091	WATER PUMP - V-BELT PULLEY	1915293	
01-0092	WATER PUMP - FIXING PARTS	1915292	
01-0093	WATER PUMP - CONNECTING SOCKET	1915297	
01-0094	THERMOSTAT HOUSING UP TO ENGINE S/N 11776650	1911571	
01-0095	THERMOSTAT HOUSING FROM ENGINE S/N 11776651	2595834	
01-0096	THERMOSTAT HOUSING BLANKING PARTS	1915315	
01-0097	THERMOSTAT HOUSING BREATHER LINE	1915223	
01-0098	V-BELT	1914390	
01-0099	TENSION ROLLER	1915360	

Fendt			F437105
FENDT 514NA S4 (437/00101-05000) (WAM437XXX00F05001-99999)			F437105
ENGINE, FUEL AND EXHAUST SYSTEM			Page01-000-TOC
Page Number	Page Title	Page Reference	
01-0100	FAN SUPPORT UP TO ENGINE S/N 11858647	1915221	
01-0101	FAN SUPPORT FROM - UP TO ENGINE S/N 11858648 - 12203225	1972638	
01-0102	FAN SUPPORT FROM ENGINE S/N 12203226	2576708	
01-0103	HEATING CONNECTION OIL COOLER BOX	1916544	
01-0104	EXHAUST BEND	1914522	
01-0105	EXHAUST BEND - FIXING PARTS	1914524	
01-0106	TURBO-SUPERCHARGER - FIXING PARTS	1914543	
01-0107	TURBO-SUPERCHARGER	1914609	
01-0108	TURBO-SUPERCHARGER LUBE OIL LINE	1914544	
01-0109	TURBO-SUPERCHARGER RETURN LINE	1914545	
01-0110	GUARDS - LUBE OIL LINE	1914592	
01-0111	ENGINE MOUNTINGS - LEFT HAND	1899301	
01-0112	ENGINE MOUNTINGS - RIGHT HAND	1899302	
01-0113	CYLINDER HEAD TEMP. TRANSMITTER EDC	1915378	
01-0114	CRANKCASE BREATHER BREATHER TUBE	1899304	
01-0115	FLYWHEEL COVER	1899308	
01-0116	CHARGE AIR ELBOW - HEATING-FLANGE	1915251	
01-0117	FUEL LINES <-437/0101-->437/0200	1900143	
01-0118	FUEL LINES <-437/1001	1900137	
01-0119	FUEL LINES	1900322	
01-0120	FUEL TANK	1900483	
01-0121	PREFILTER	1900484	
01-0122	COOL. WATER PIPING	1900741	
01-0123	COOL. WATER PIPING	1900850	
01-0124	COOL. WATER PIPING - WATER COOLED RADIATOR	1906351	
01-0125	WATER COOLED RADIATOR UP TO MACHINE S/N WAM437XXX00F07404	1908113	
01-0126	WATER COOLED RADIATOR FROM MACHINE S/N WAM437XXX00F07405	2562611	
01-0127	BOOST INTERCOOLING UP TO MACHINE S/N WAM437XXX00F07404	1908203	
01-0128	BOOST INTERCOOLING FROM MACHINE S/N WAM437XXX00F07405	2562647	
01-0129	BULKHEAD	1908683	
01-0130	AIR FILTER	1908829	
01-0131	EXHAUST END PIPE	1909254	
01-0132	EXHAUST BEND	1909339	
01-0133	EXHAUST AFTER-TREATMENT CATHAL. CONVERTER FROM - UP TO MACHINE S/N 437/0101 - 437/1022	1909346	
01-0134	EXHAUST AFTER-TREATMENT CATHAL. CONVERTER FROM - UP TO MACHINE S/N 437/1023 - 437/1139	1970442	
01-0135	EXHAUST AFTER-TREATMENT CATHAL. CONVERTER FROM MACHINE S/N 437/1140	2188679	
01-0136	EXHAUST AFTER-TREATMENT - PARTICLE FILTER SENDER	1909402	
01-0137	CLAMPING PARTS EXHAUST AFTER-TREATMENT - PARTICLE FILTER	1915388	

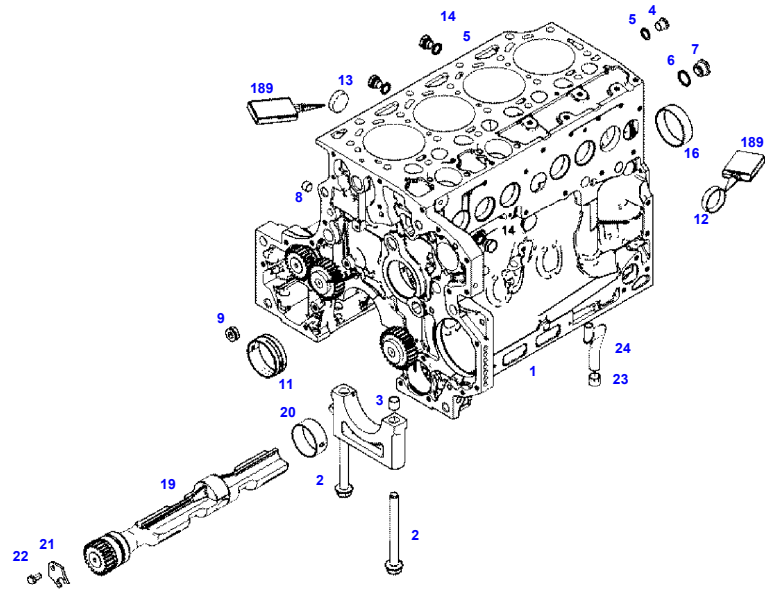
**Fendt****FENDT 514NA S4 (437/00101-05000) (WAM437XXX00F05001-99999)****F437105****ENGINE, FUEL AND EXHAUST SYSTEM****Page01-000-TOC**

<b>Page Number</b>	<b>Page Title</b>	<b>Page Reference</b>
01-0138	EXHAUST AFTER-TREATMENT - TANK ADBLUE FROM - UP TO MACHINE S/N 437/1001 - 437/1139	1909428
01-0139	EXHAUST AFTER-TREATMENT - TANK ADBLUE FROM MACHINE S/N 437/1140	2177887
01-0140	EXHAUST AFTER-TREATMENT - SUPPLY UNIT	1909729
01-0141	EXHAUST AFTER-TREATMENT - PIPING FROM - UP TO MACHINE S/N 437/1001 - 437/1139	1909803
01-0142	EXHAUST AFTER-TREATMENT - PIPING FROM - UP TO MACHINE S/N 437/1140	2178270
01-0143	VISCO FAN UP TO MACHINE S/N WAM437XXX00F07404	1909831
01-0144	VISCO FAN FROM MACHINE S/N WAM437XXX00F07405	2562489
01-0145	ENGINE PRE-HEATER	1910133



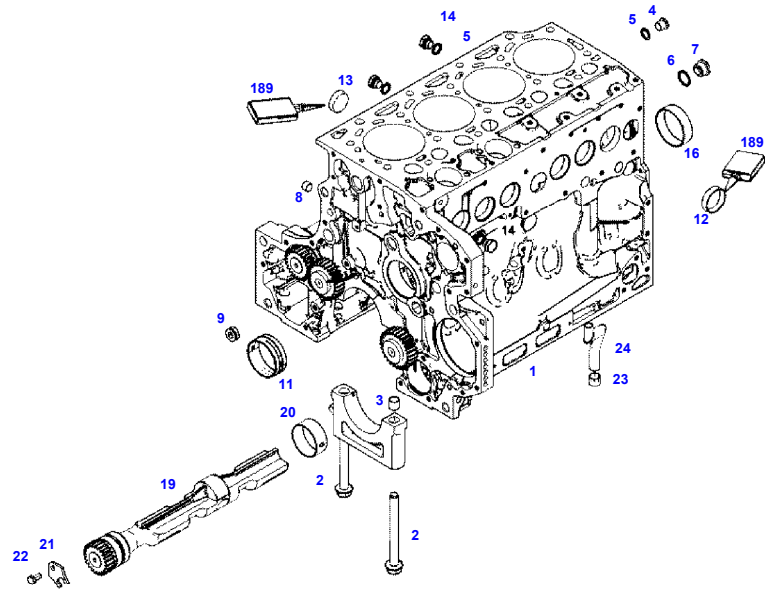
041473

Item	Part Number	Qty	Description Comments	Technical Specification
			<b>UP TO ENGINE S/N 11776650</b>	
	72617520	1	ENGINE FROM - UP TO MACHINE S/N 437/0001 - 437/1139	TCD4.1L4
	72654937	1	ENGINE FROM MACHINE S/N 437/1140	TCD4.1L4
1	ACP0152920	1	CRANKCASE ><2-14, 19-24	
2	72416467	10	HEXAGONAL HEAD BOLT	
3	72344342	10	ADAPTER BUSH	
4			NOT AVAILABLE IN SINGLE PARTS	
5	72456134	2	SEALING WASHER	DIN 7603 D14X20-CU-VERZINNT
6	72439874	1	SEALING WASHER	
7	72455559	1	PLUG SCREW	
8	72429347	2	SCREW M14X1,5	M14X1,5
9	72431135	1	LOCKING PLUG	
10	72497417	4	BEARING BUSHING	
11	72491822	1	BEARING BUSHING	
12	72325325	6	CORE HOLE PLUG	
13	72325326	4	CORE HOLE PLUG	
14	72315799	2	PLUG	DIN 7604 AM14X1,5-A3L
19	72439854	2	GANG SHAFT	
20	72325339	4	BUSHING	
21	72415943	2	THRUST WASHER	
22	72423137	2	HEXAGONAL HEAD BOLT M8X16	
23	72420773	1	LOCKING PART	
24	72436713	1	LINE	
185	72381391	1	THREADLOCKER	LOCTITE 243 10ML



Item	Part Number	Qty	Description Comments	Technical Specification
			<b>FROM - UP TO ENGINE S/N 11776651 - 12290735</b>	
	72617520	1	ENGINE FROM - UP TO MACHINE S/N 437/0001 - 437/1139	TCD4.1L4
	72654937	1	ENGINE FROM MACHINE S/N 437/1140	TCD4.1L4
1	ACP0152920	1	CRANKCASE ><2-14, 19-24	
2	72416467	10	HEXAGONAL HEAD BOLT	
3	72344342	10	ADAPTER BUSH	
4	72315438	1	PLUG SCREW	DIN 908 M14X1,5-ST
5	72456134	4	SEALING WASHER	DIN 7603 D14X20-CU-VERZINNT
6	72439874	1	SEALING WASHER	
7	72455559	1	PLUG SCREW	
8	72429347	1	SCREW	M14X1,5
9	72431135	1	LOCKING PLUG	
11	ACP0152930	1	FEMALE BEARING	
12	72325325	6	CORE HOLE PLUG	
13	72325326	4	CORE HOLE PLUG	
14	72315799	3	PLUG	DIN 7604 AM14X1,5-A3L
16	ACP0152940	4	FEMALE BEARING	
19	72439854	2	GANG SHAFT	
20	72325339	4	BUSHING	
21	72415943	2	THRUST WASHER	
22	72423137	2	HEXAGONAL HEAD BOLT	
23	72420773	1	LOCKING PART	
24	72436713	1	LINE	
189	72381391	1	THREADLOCKER	LOCTITE 243 10ML

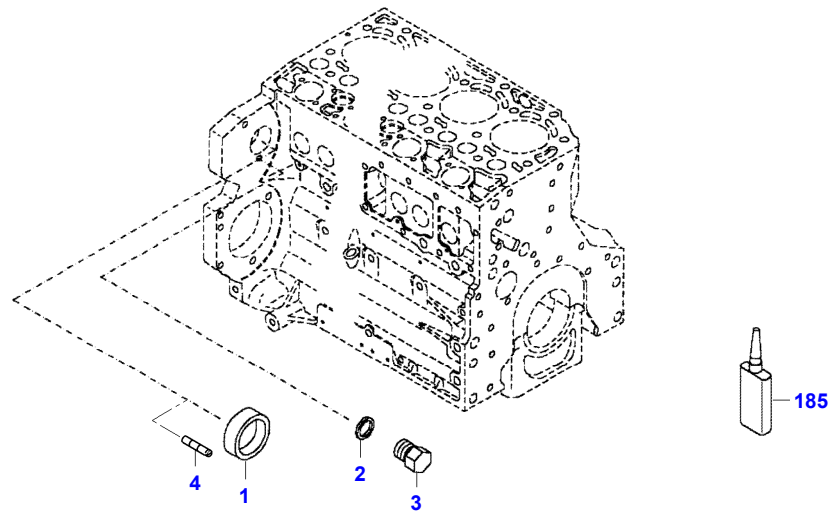
F060459



Item	Part Number	Qty	Description Comments	Technical Specification
			<b>FROM ENGINE S/N 12290736</b>	
	72617520	1	ENGINE FROM - UP TO MACHINE S/N 437/0001 - 437/1139	TCD4.1L4
	72654937	1	ENGINE FROM MACHINE S/N 437/1140	TCD4.1L4
1	ACP0152920	1	CRANKCASE ><2-14, 19-24	
2	72416467	10	HEXAGONAL HEAD BOLT	
3	72344342	10	ADAPTER BUSH	
4	72315438	1	PLUG SCREW	DIN 908 M14X1,5-ST
5	72456134	4	SEALING WASHER	DIN 7603 D14X20-CU-VERZINNT
6	72439874	1	SEALING WASHER	
7	72455559	1	PLUG SCREW	
8	72429347	1	SCREW	M14X1,5
9	72431135	1	LOCKING PLUG	
11	ACP0152930	1	FEMALE BEARING	
12	72325325	6	CORE HOLE PLUG	
13	72325326	4	CORE HOLE PLUG	
14	72315799	3	PLUG	DIN 7604 AM14X1,5-A3L
16	ACP0152940	4	FEMALE BEARING	
19	72439854	2	GANG SHAFT	
20	72325339	4	BUSHING	
21	72415943	2	THRUST WASHER	
22	72423137	2	HEXAGONAL HEAD BOLT	
23	72420773	1	LOCKING PART	
24	72436713	1	LINE	
189	72381391	1	THREADLOCKER	LOCTITE 243 10ML

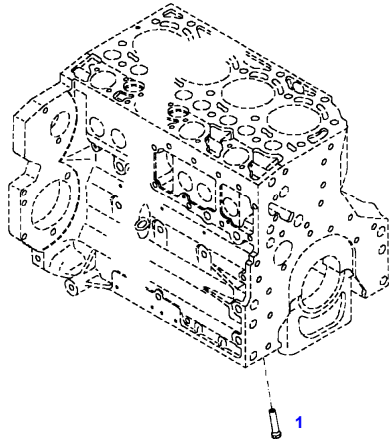
F060459

Item	Part Number	Qty	Description Comments	Technical Specification
<b>BLANKING PARTS</b>				
1	72627515	1	CORE HOLE PLUG UP TO ENGINE NUMBER 11983491	
	72628071	1	CAP COVER FROM ENGINE S/N 11983492	
2	72315088	2	SEALING WASHER	DIN 7603 A10X13,5-CU
3	72323677	2	PLUG	
4	72631860	2	THREADED PIN UP TO ENGINE S/N 12473107	
	72657969	2	PLUG SCREW STARTING FROM ENGINE SERIAL NUMBER 12473108	
185	72325403	1	SAFE LOCK AGENT UP TO ENGINE NUMBER 11983491	
	72493900	1	INSTALLATION AIDS FROM ENGINE S/N 11983492	



432327-M-1

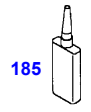
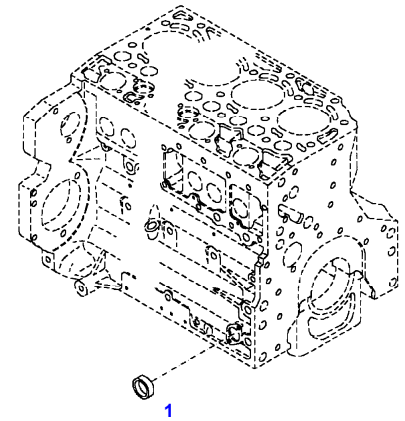
Item	Part Number	Qty	Description	Comments
			PISTON COOL.NOZZLE	
1	72415140	4	PISTON COOLING JET	



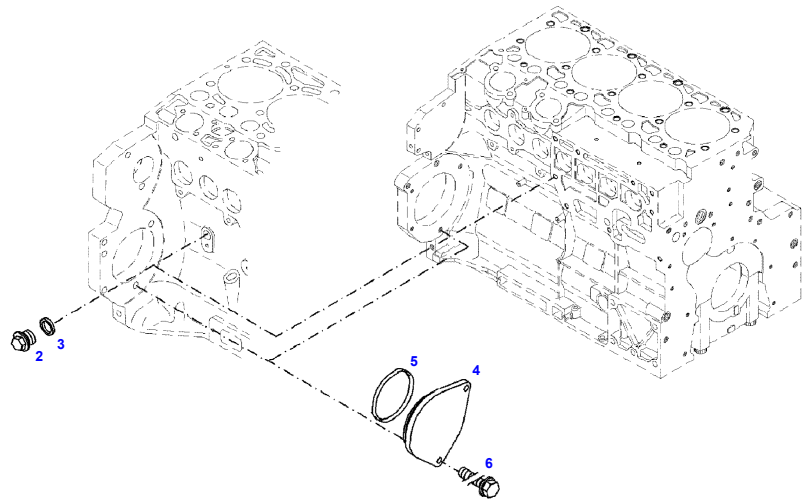
0370094



Item	Part Number	Qty	Description Comments
<b>LOCKING PLUG</b>			
1	72325326	1	CORE HOLE PLUG UP TO ENGINE NUMBER 11983491
	72628072	1	CAP COVER FROM ENGINE S/N 11983492
185	72325403	1	SAFE LOCK AGENT UP TO ENGINE NUMBER 11983491
	72493900	1	INSTALLATION AIDS FROM ENGINE S/N 11983492



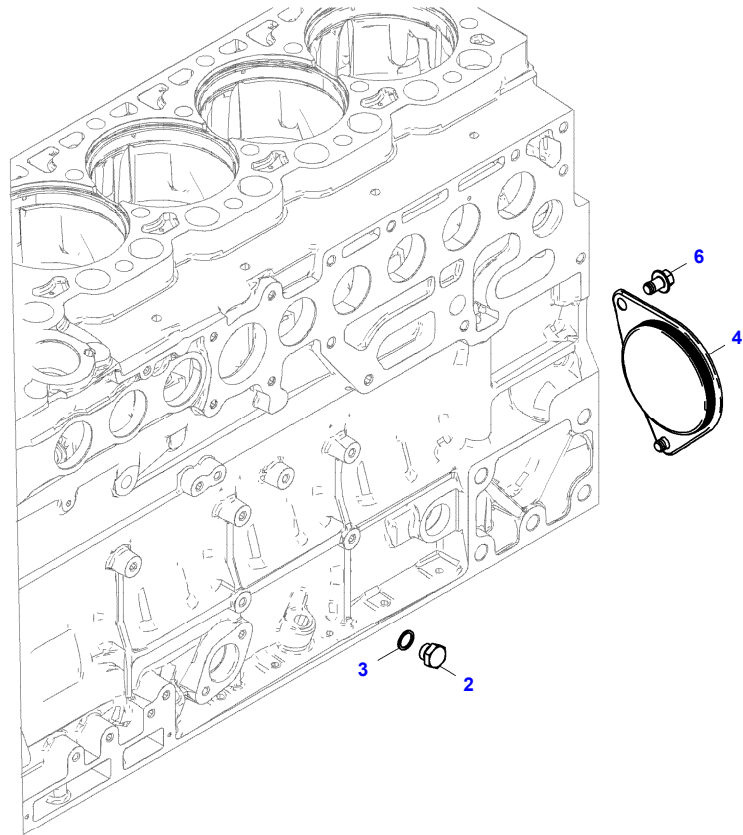
040194



Item	Part Number	Qty	Description Comments	Technical Specification
<b>BLANKING PARTS UP TO ENGINE S/N 12125465</b>				
2	72315799	1	PLUG NOT NEEDED WITH AIR BRAKE	DIN 7604 AM14X1,5-A3L
3	72439867	1	SEALING WASHER NOT NEEDED WITH AIR BRAKE	DIN7603-14X18-CU-VERZ
4	72431648	1	COVER NOT NEEDED WITH AIR BRAKE	
5	72416472	1	SEAL 96X4MM NOT NEEDED WITH AIR BRAKE	
6	72438057	2	HEXAGONAL HEAD BOLT NOT NEEDED WITH AIR BRAKE UP TO JANUARY 2017	M10X20
	72657640	2	HEXAGONAL HEAD BOLT FROM JANUARY 2017	M10X16

051577

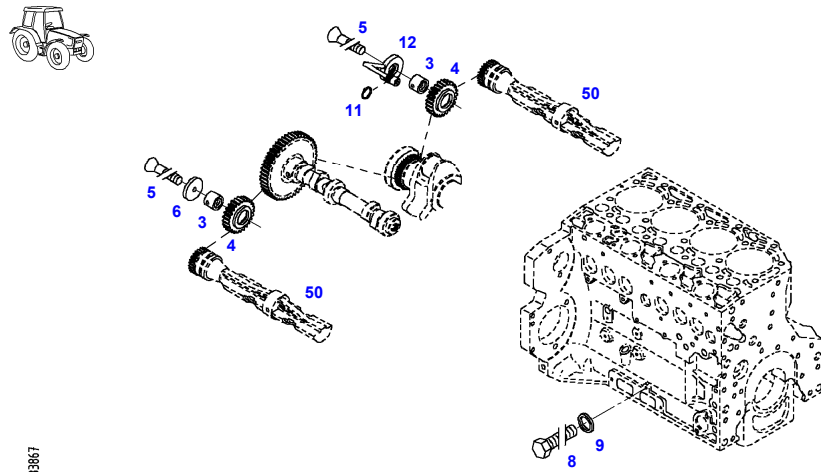




25548786-M-1

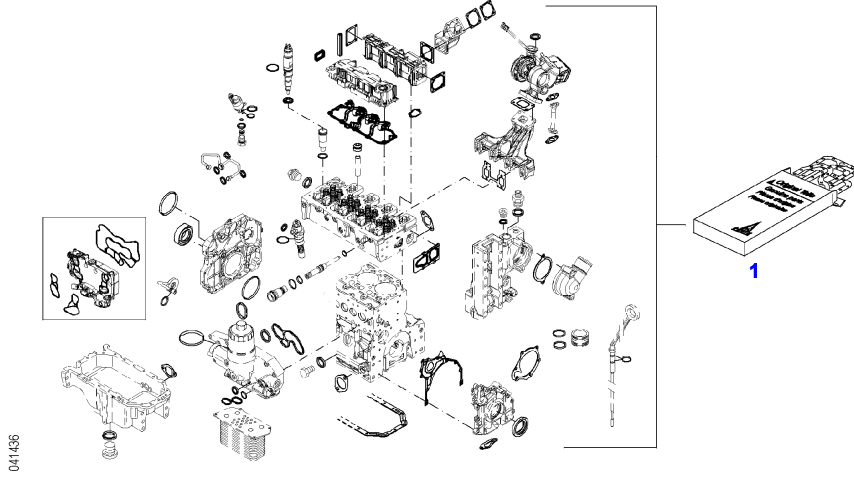
Item	Part Number	Qty	Description Comments	Technical Specification
<b>BLANKING PARTS FROM ENGINE S/N 12125466</b>				
2	72631866	1	PLUG SCREW NOT NEEDED WITH AIR BRAKE	
3	72439867	1	SEALING WASHER NOT NEEDED WITH AIR BRAKE	DIN7603-14X18-CU-VERZ
4	72657732	1	COVER NOT NEEDED WITH AIR BRAKE	
6	72657640	2	HEXAGONAL HEAD BOLT NOT NEEDED WITH AIR BRAKE	M10X16

Item	Part Number	Qty	Description	Technical Specification
			<b>Comments</b>	
3	72415940	2	PIVOT	
4	72415941	2	GEAR WHEEL	
5	72423136	2	COUNTERSUNK CAPSCREW M8X45	
6	72415942	1	FIXING SHIM	
8	72315644	2	HEXAGONAL HEAD BOLT	DIN 933 M8X10-8.8A3L
9	72315087	2	SEALING WASHER	DIN 7603 A8X14-CU
11	72423138	1	SEAL 7X1,5MM	
12	72415945	1	PIVOT	
50			SEE CRANKCASE	



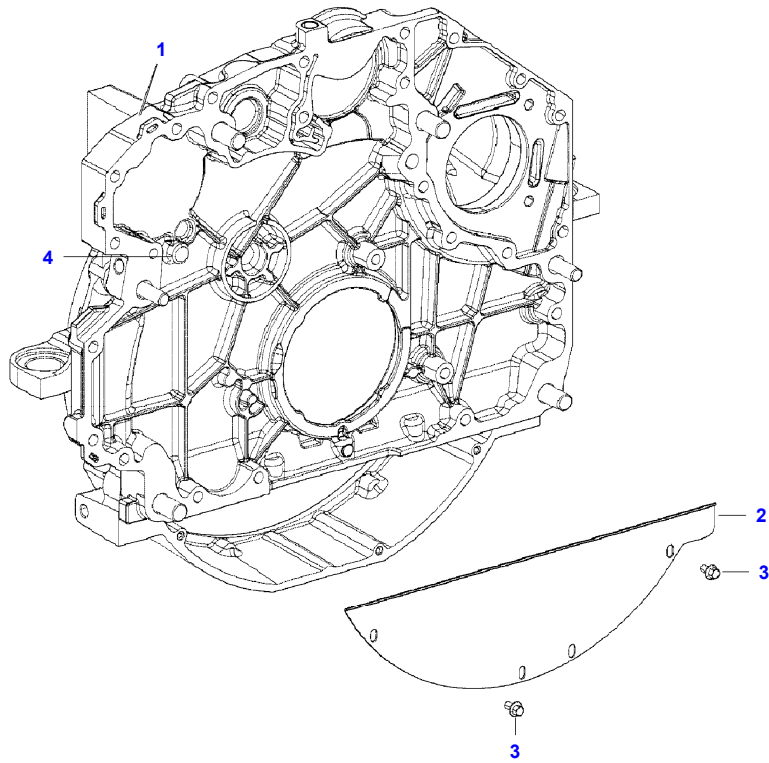
033867

Item	Part Number	Qty	Description	Comments
			ENGINE	
1	72609180	1	SEAL KIT WITHOUT CYLINDER HEAD GASKET	



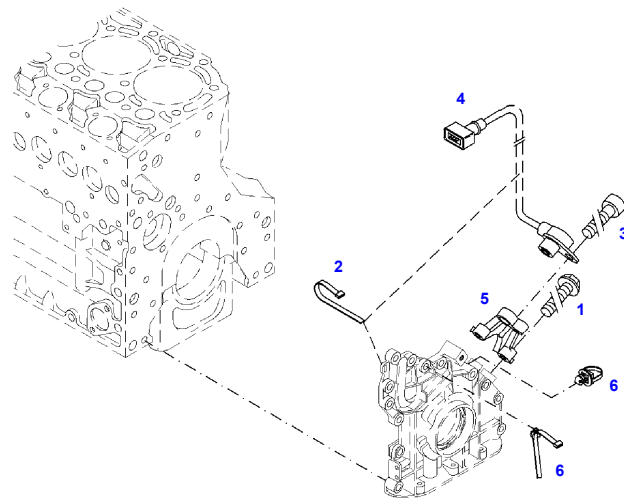
041436

Item	Part Number	Qty	Description	Technical Specification
1	72605242	1	CONNECTING HOUSING	
2	72416423	1	COVER PANEL	
3	72325300	3	HEXAGONAL HEAD BOLT	M6X12
4	72657641	1	BUSHING	



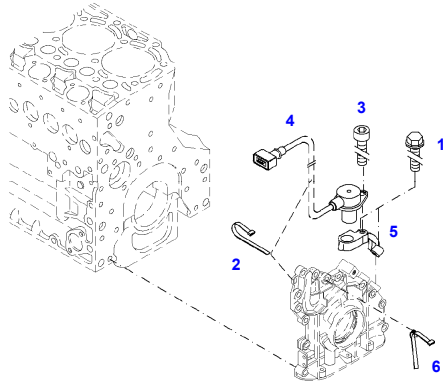
11180031-M-1

Item	Part Number	Qty	Description Comments	Technical Specification
			ENGINE SPEED EDC ENGINE NUMBER ->11613728	
1	72436834	2	HEXAGONAL HEAD BOLT M6X30	
2	72416001	1	RETAINING STRAP	
3	72315460	1	SOCKET HEAD BOLT	DIN 912 M6X16-8.8
4	72436872	1	ENGINE SPEED SENSOR ENGINE SPEED EDC	
5	72494073	1	RETAINER	
6	72455561	2	RETAINING STRAP	



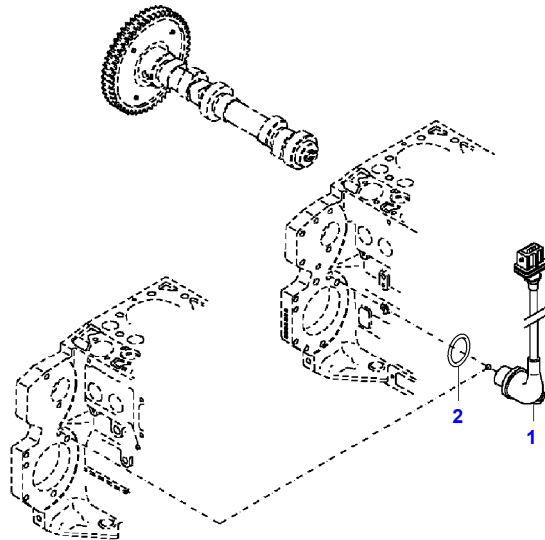
041001

Item	Part Number	Qty	Description Comments	Technical Specification
			ENGINE SPEED EDC ENGINE NUMBER ←-11613729	
1	72436834	2	HEXAGONAL HEAD BOLT M6X30	
2	72416001	2	RETAINING STRAP	
3	72315460	1	SOCKET HEAD BOLT	DIN 912 M6X16-8.8
4	72436872	1	ENGINE SPEED SENSOR ENGINE SPEED EDC	
5	72495289	1	RETAINER	
6	72455561	1	RETAINING STRAP	



041030



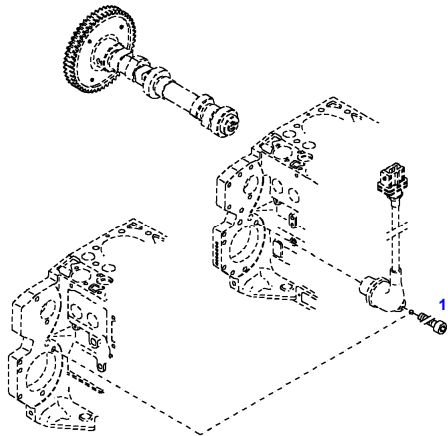


431755-M-1

Item	Part Number	Qty	Description Comments
<b>ENGINE SPEED EDC</b>			
1	72436871	1	TRANSMITTER UP TO ENGINE NUMBER 11948102
	72626758	1	ENGINE SPEED SENSOR FROM ENGINE S/N 11948103
2	72628348	1	O-RING

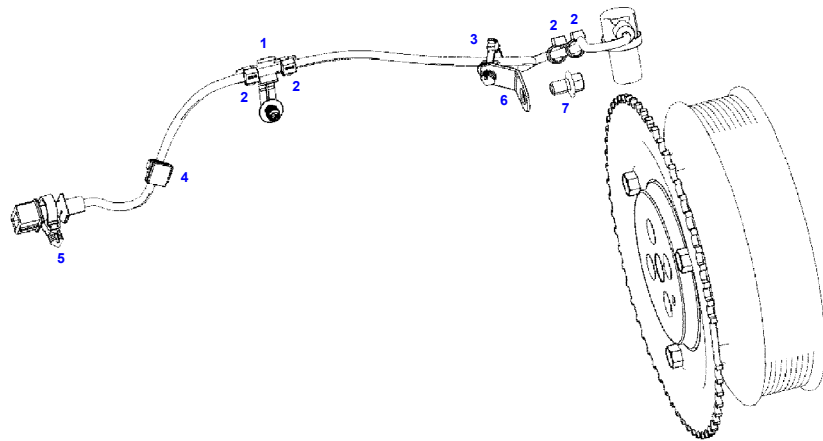


Item	Part Number	Qty	Description Comments	Technical Specification
			ENGINE SPEED FASTENINGS	
1	72315460	1	SOCKET HEAD BOLT	DIN 912 M6X16-8.8



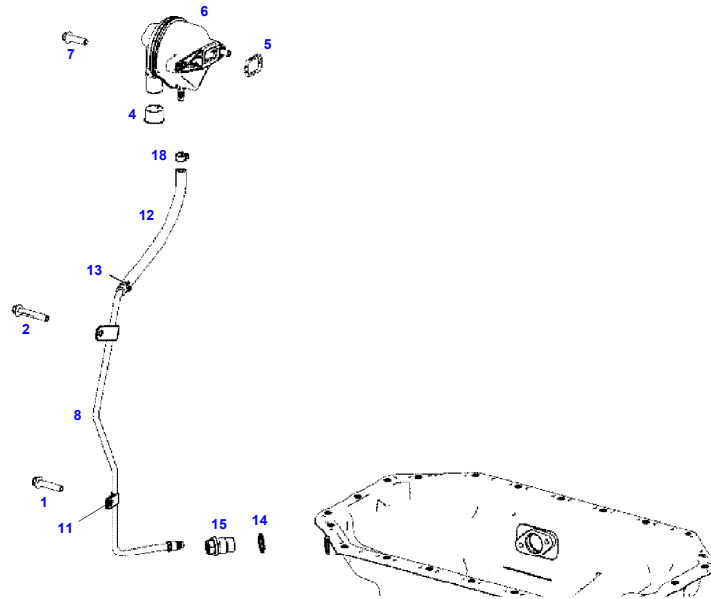
035317

Item	Part Number	Qty	Description	Technical Specification
1	72613268	1	PLASTIC CLIP	
2	72416001	4	RETAINING STRAP	
3	72455561	1	RETAINING STRAP	
4	72614683	1	RETAINING STRAP	
5	72436349	1	RETAINING STRAP	
6	ACP0152700	1	RETAINING SHEET METAL	
7	72613267	1	HEXAGONAL HEAD BOLT	M8X12



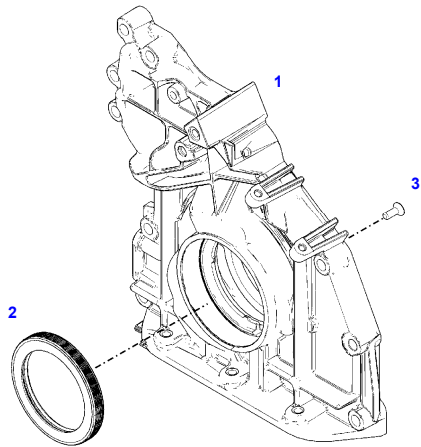
F060457

Item	Part Number	Qty	Description	Technical Specification
			<b>Comments</b>	
1	72325457	1	HEXAGONAL HEAD BOLT	
2	72325453	1	HEXAGONAL HEAD BOLT	
4	ACP0153300	1	LOCKING PLUG	
5	72455795	1	SEAL	
6	72437250	1	BREATHER	
7	72325293	2	HEXAGONAL HEAD BOLT	M8X30
8	ACP0153020	1	OIL RETURN LINE	
11	72425772	1	PIPE CLAMP	
12	72495349	1	RUBBER HOSE	
13	72479013	1	HOSE CLIP	
14	72439874	1	SEALING WASHER	
15	72436504	1	LOCK VALVE	
18	72479013	1	HOSE CLIP	



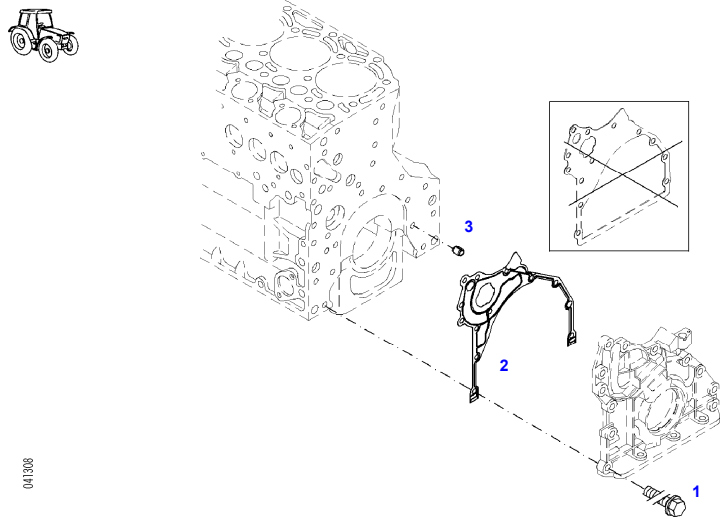
F060461

Item	Part Number	Qty	Description	Comments
<b>INTEGRATED OIL PUMP</b>				
1	72630300	1	CRANKCASE END COVER INTEGRATED OIL PUMP ><2,3	
2	72479487	1	SHAFT SEAL	
3	72416228	8	COUNTERSUNK CAPSCREW M6X16	

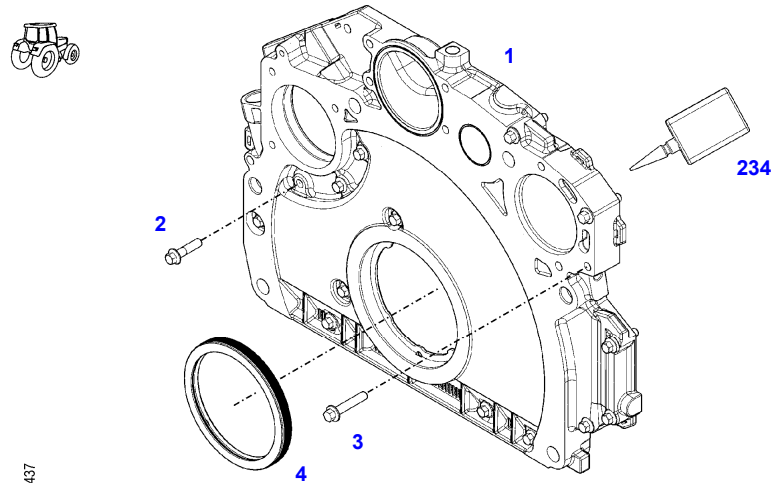


01342

Item	Part Number	Qty	Description Comments	Technical Specification
<b>FASTENINGS</b>				
1	72605244	10	HEXAGONAL HEAD BOLT	M8X35
2	72486511	1	SEAL	
3	72325352	1	TENSIONER BUSHING	

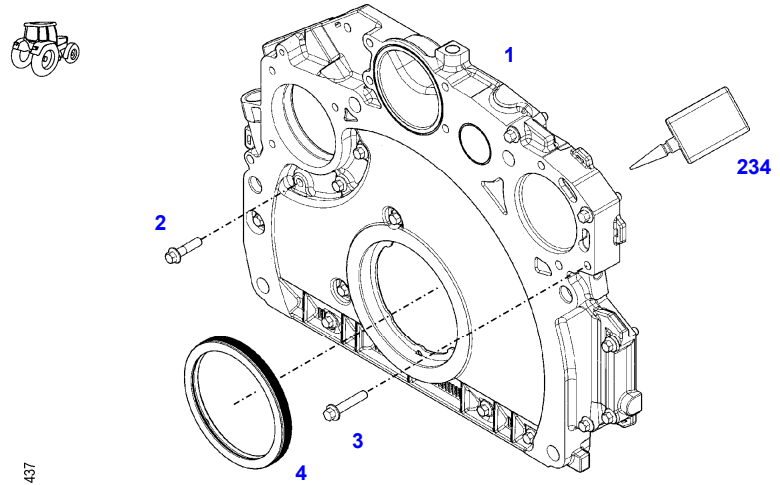


Item	Part Number	Qty	Description Comments	Technical Specification
<b>ENGINE NUMBER</b>				
->11776651				
<-11805110 ->1208616				
1	ACP0153060	1	WHEEL BOX	
2	72605244	12	HEXAGONAL HEAD BOLT	M8X35
3	72325388	9	HEXAGONAL HEAD BOLT M8X45	M8X45
4	72479495	1	SHAFT SEAL	
234	72626246	1	SEALING COMPOUND	



041437

Item	Part Number	Qty	Description Comments	Technical Specification
FROM - UP TO ENGINE S/N 1208617 - 12320115				
1	72631855	1	WHEEL BOX	
2	72605244	12	HEXAGONAL HEAD BOLT	M8X35
3	72325388	9	HEXAGONAL HEAD BOLT M8X45	M8X45
4	72479495	1	SHAFT SEAL	
234	72626246	1	SEALING COMPOUND	



041437



This as a preview PDF file from [best-manuals.com](https://best-manuals.com)



Download full PDF manual at [best-manuals.com](https://best-manuals.com)