

4607M / 4609M / 4610M / 4610M HC TRACTOR

REPAIR TIME SCHEDULE

Contents

Accessories
Brake System
Cab
Chassis
Decals
Drive Train System
Electrical System
Engine, Fuel, and Exhaust
Hydraulic System
Implement Lift System
Steering System

4607M / 4609M / 4610M / 4610M HC TRACTOR RTS

A. TIME ALLOWANCE

The times listed in this publication are the result of careful study of the operation concerned; they represent the average time ONE trained dealer mechanic, of normal ability has taken to carry out the operation in a typical dealership, using standard workshop tooling and equipment including air tools, located for reasonable access and working conditions. They DO NOT include any traveling to or from the farm or site.

The machine is assumed to be clean and to be bare of any extra equipment or attachment of non "AGCO" manufacture, and delivered to an authorized and duly equipped workshop where trained personnel and spare parts required to perform the operations are immediately available.

The times given include difficulties encountered working on used as opposed to new machines, and are based on methods and recommended tools shown in the workshop manual.

The times are based on a second hand machine in reasonable condition properly maintained using approved parts. Extra time may be required to deal with seized, rusted or damaged parts.

Allowances are included in the operation times quoted for obtaining all tools and parts, cleaning and testing after repair. Diagnostic time is included in the time allowance unless a separate code is listed for diagnostic time.

The times given in this Repair Time Schedule are for a complete job from start to finish, including allowances for intermediate operations.

B. TIMES

All the operating times are presented in hours and the decimal parts of an hour. Decimal times must be used on all warranty claims.

The times given in this repair time schedule are for a complete job from start to finish. Where access has been gained for an adjacent repair only the additional time for the second repair will be accepted and not the total time for the two failures.

All times contained in this schedule are based on the latest information available at the time of this publication. The right is reserved to publish revision at any time. All operation times are subject to amendment if the design, method or technique changes result in alteration of time taken.

ACCESSORIES

BUMPER HITCH	137
CYLINDER	138
LOADER R & R	140
WIPER MOTOR	139

BRAKE SYSTEM

BRAKE	79
BRAKE PEDAL	80

CAB

AIR CONDITIONER	113
CAB DOOR	106
CAB DOOR LATCH	107
CAB FENDER	104
CAB FRAME	103
CAB GLASS	105
CAB GLASS	108
CAB INTERIOR	110
CAB ROOF	102
CONTROL PANEL ASSEMBLY	114
ENGINE AIR CONDITIONER	111

CHASSIS

FENDER	118
FRONT FLOOR	124
GRILLE	116
LEVER GUIDE	119
MOUNT	122
R.O.P.S.	128
REAR FLOOR	126
SEAT	120
SIDE COVER	117
TRACTOR HOOD	115

DECALS

CAUTION LABEL	131
CHASSIS DECALS	129
CONTROL LABEL	130

DRIVE TRAIN SYSTEM

4WD LEVER	68
4WD SHIFT ARM	64
AXLE HOUSING ALL MODELS BUT 4610M HC	72
CLUTCH PEDAL	50
DIFFERENTIAL LOCK	78
DRIVE PINION	70
FINAL DRIVE ALL MODELS BUT 4610M HC	73
GEAR - 4WD	61
GEAR PUMP	56
HI-LO CLUTCH	54
HI-LO GEAR	55
MAIN GEAR	59
MAIN LEVER	66
MAIN SHIFT FORK	62
PTO GEAR	57
PTO LEVER	69
PTO SHIFT FORK	65
REAR AXLE GEARS 4610M HC ONLY	74
REAR AXLE HOUSING 4610M HC ONLY	75
REAR DIFFERENTIAL	52
REAR DIFFERENTIAL	71
REAR FINAL DRIVE 4610M HC ONLY	77
REAR SPACER HOUSING 4610M HC ONLY	76
REVERSE GEAR	53

DRIVETRAIN SYSTEM (CONTINUED)

SUB GEAR	60
SUB LEVER	67
SUB SHIFT FORK	63
TRANSMISSION CASE	51

ELECTRICAL SYSTEM

CAB ELECTRICAL	98
ELECTRICAL	96
ENGINE ELECTRICAL	91
FRONT ELECTRICAL	89
MAIN ELECTRICAL	92
SWITCHES	101

ENGINE, FUEL AND EXHAUST SYSTEM

ACCELERATOR	34
AIR CLEANER ASSEMBLY	27
CRANKSHAFT	9
CYLINDER BLOCK	7
CYLINDER HEAD	11
DAMPER	35
DEF TANK	29
DOC SYSTEM	25
ENGINE ELECTRICAL	21
ENGINE FAN	22
EXHAUST AFTERTREATMENT	20
EXHAUST SYSTEM	19
FUEL FILTER	18
FUEL TANK	32
INJECTION PUMP	17
INLET AND EXHAUST MANIFOLD	12
INTERCOOLER	28
MUFFLER	26
OIL FILTER	15
OIL SUMP	14
RADIATOR	23
STARTER AND ALTERNATOR	36
TIMING GEAR CASE	8
TURBOCHARGER	13
VALVES AND ROCKER SHAFT	10
WATER PUMP	16

HYDRAULIC SYSTEM

HYDRAULIC PUMP AND PLUMBING	81
JOY STICK	87
REMOTE VALVE	86
SUB HYDRAULICS	84

IMPLEMENT LIFT SYSTEM

CYLINDER CASE	132
FIXED DRAWBAR	136
POSITION MECHANICAL LINK	133
THREE POINT LINKAGE	134
THREE POINT LINKAGE DRAFT LINKAGE	135

STEERING SYSTEM

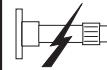
AXLE	48
AXLE HOUSING	43
DRIVE SHAFT	41
FRONT AXLE BRACKET	40
GEAR CASE	42
GEAR CASE	45
SPACER HOUSING 4610M HC ONLY	44
STEERING COLUMN	38
STEERING CONTROL	39

STEERING SYSTEM (CONTINUED)

STEERING WHEEL	37
TIE ROD	47

4607M / 4609M / 4610M / 4610M HC TRACTOR
ENGINE, FUEL AND EXHAUST SYSTEM

Item

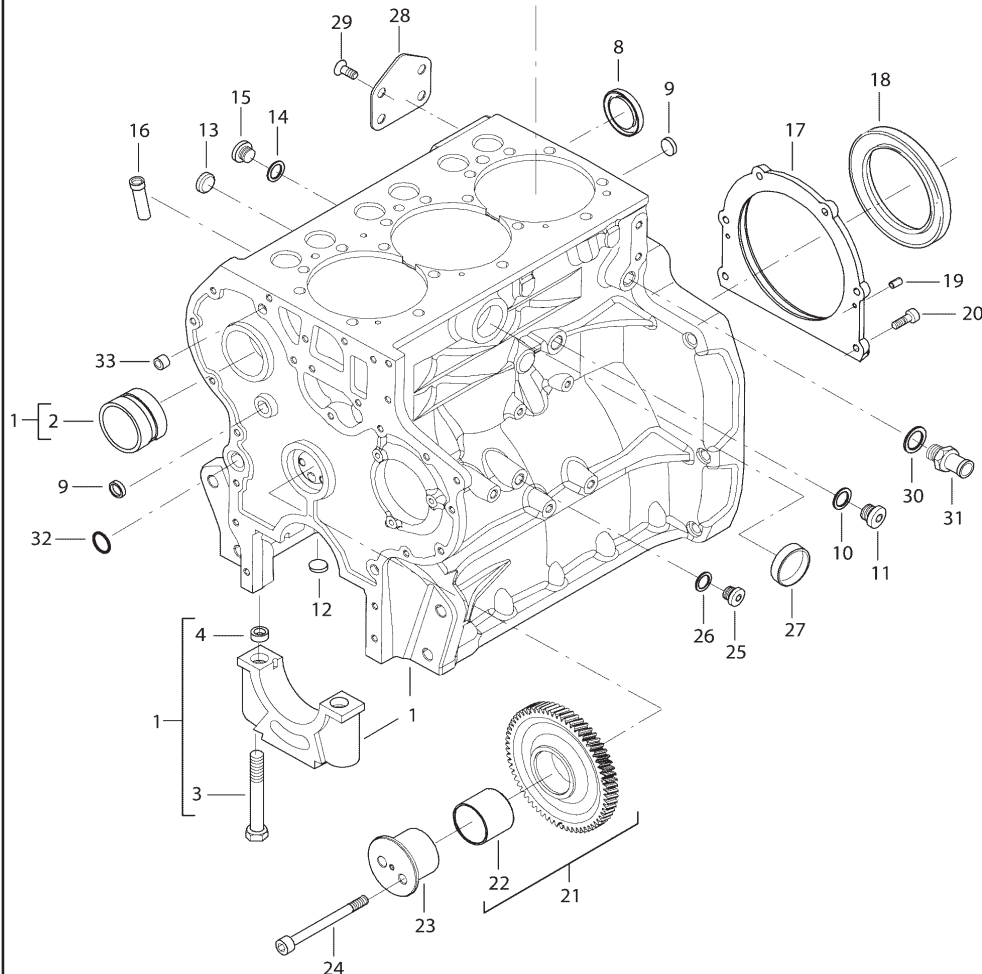
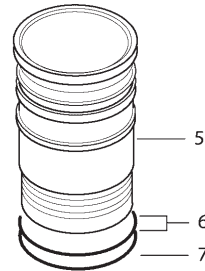


Description

7

CYLINDER BLOCK

SIS0220

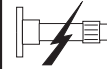


-	51 02 02	12.0	ENGINE ASSEMBLY (COMPLETE)
-	51 02 01	20.0	ENGINE ASSEMBLY (SHORT BLOCK)
-	71 06 02	45.0	ENGINE ASSEMBLY (OVERHAUL)
5	71 08 00	36.0	LINER
6	71 08 02	35.75	CYLINDER LINER O-RING
7	71 08 02	35.75	CYLINDER LINER O-RING
8	71 09 05	24.75	PLUG
16	76 02 00	0.5	PIPE
27	71 09 00	2.75	PLUG
28	71 61 00	0.75	COVER

SIS0220

4607M / 4609M / 4610M / 4610M HC TRACTOR
ENGINE, FUEL AND EXHAUST SYSTEM

Item



Description

8

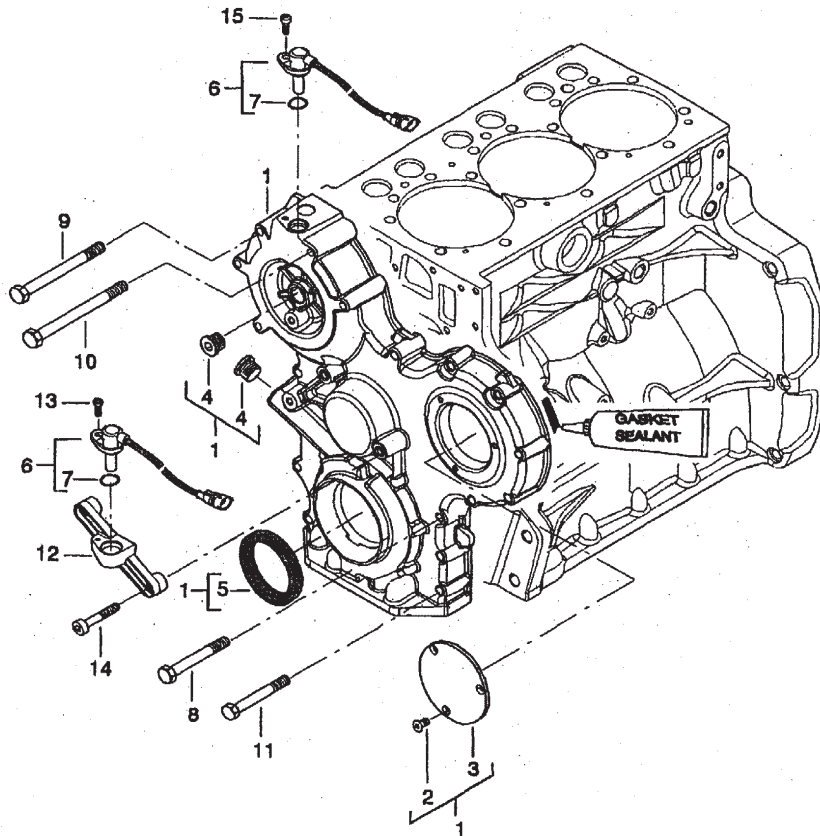
TIMING GEAR CASE

MFC14235-1

1	75 17 00	4.5
5	75 18 00	4.5
6	59 23 28	1.25

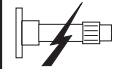
TIMING GEAR CASE
CRANKSHAFT SEAL
SPEED SENSOR

MFC14235-1



4607M / 4609M / 4610M / 4610M HC TRACTOR
ENGINE, FUEL AND EXHAUST SYSTEM

Item

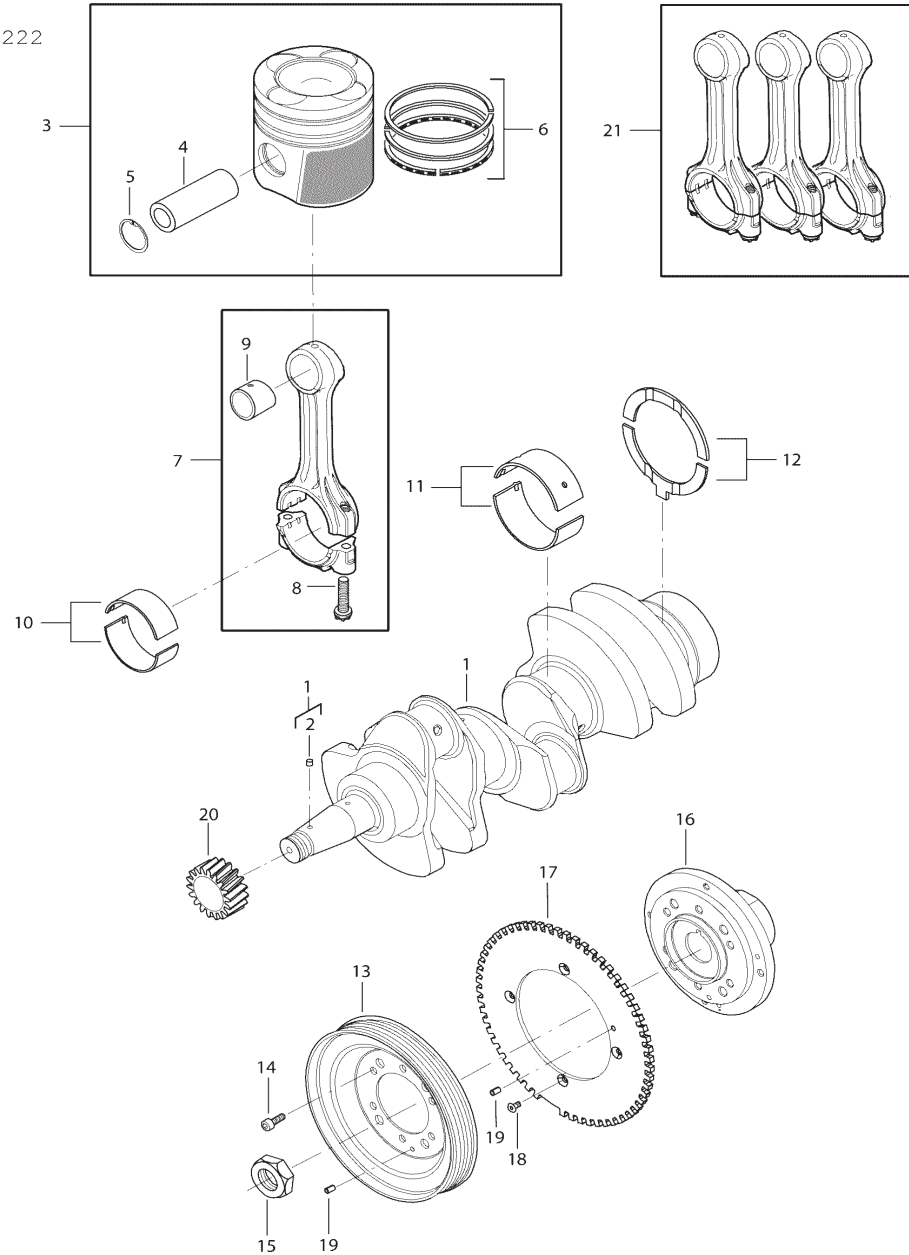


Description

9

CRANKSHAFT

SIS0222

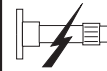


1	74 01 00	34.5	CRANKSHAFT
3	73 08 00	34.0	PISTON ASSEMBLY
6	73 09 00	34.0	PISTON RING SET
9	73 04 00	34.0	BUSH
11	74 07 00	28.0	MAIN BEARING
12	74 09 00	34.5	THRUST WASHER
13	74 08 00	2.25	CRANKSHAFT PULLEY
14	74 11 00	1.0	HEX SOCKET SCREW
15	74 01 01	2.75	HEX NUT
16	74 01 02	2.75	HUB
17	74 17 00	28.0	GEAR
20	75 11 00	13.75	GEAR,CRANKSHAFT

SIS0222

4607M / 4609M / 4610M / 4610M HC TRACTOR
ENGINE, FUEL AND EXHAUST SYSTEM

Item

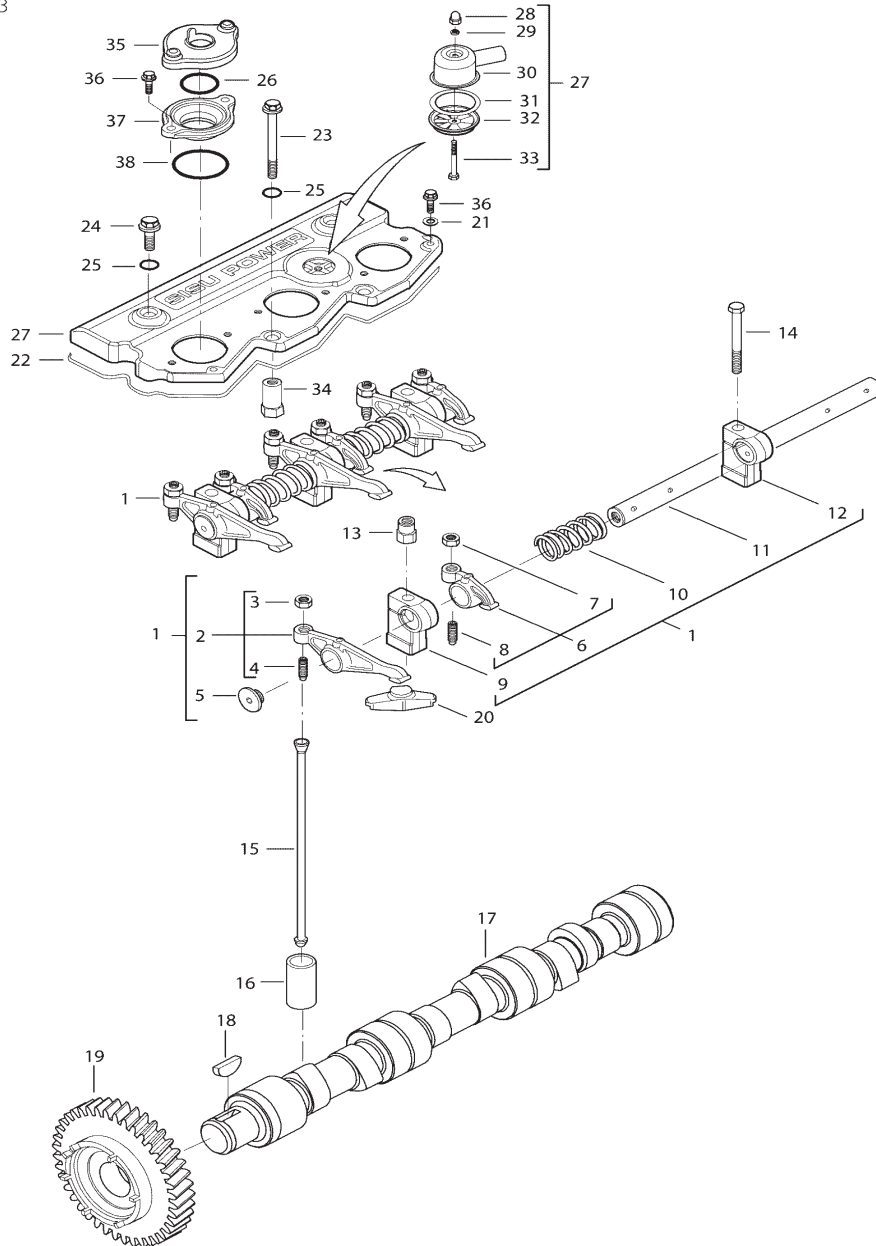


Description

10

VALVES AND ROCKER SHAFT

SIS0223

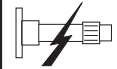


1	52 07 00	7.5	ROCKER SHAFT ASM
2	72 07 00	7.5	ROCKER ARM
4	52 11 00	6.0	VALVE ROCKER ADJUSTMENT SCREW
6	72 07 00	7.5	ROCKER ARM
8	52 11 00	6.0	VALVE ROCKER ADJUSTMENT SCREW
9	72 24 00	7.5	ROCKER SHAFT BRACKET
10	52 07 02	7.5	SPRING
11	72 10 00	7.5	SHAFT
12	72 24 00	7.5	ROCKER SHAFT BRACKET
14	52 07 03	5.5	HEX CAP SCREW
15	75 09 00	6.5	PUSHROD
16	75 10 00	26.5	TAPPET
17	75 05 00	28.0	CAMSHAFT
19	75 06 00	6.5	GEAR,CAMSHAFT
20	72 07 02	7.5	GUIDE
27	52 19 03	3.5	VALVE ROCKER COVER

SIS0223

4607M / 4609M / 4610M / 4610M HC TRACTOR
ENGINE, FUEL AND EXHAUST SYSTEM

Item

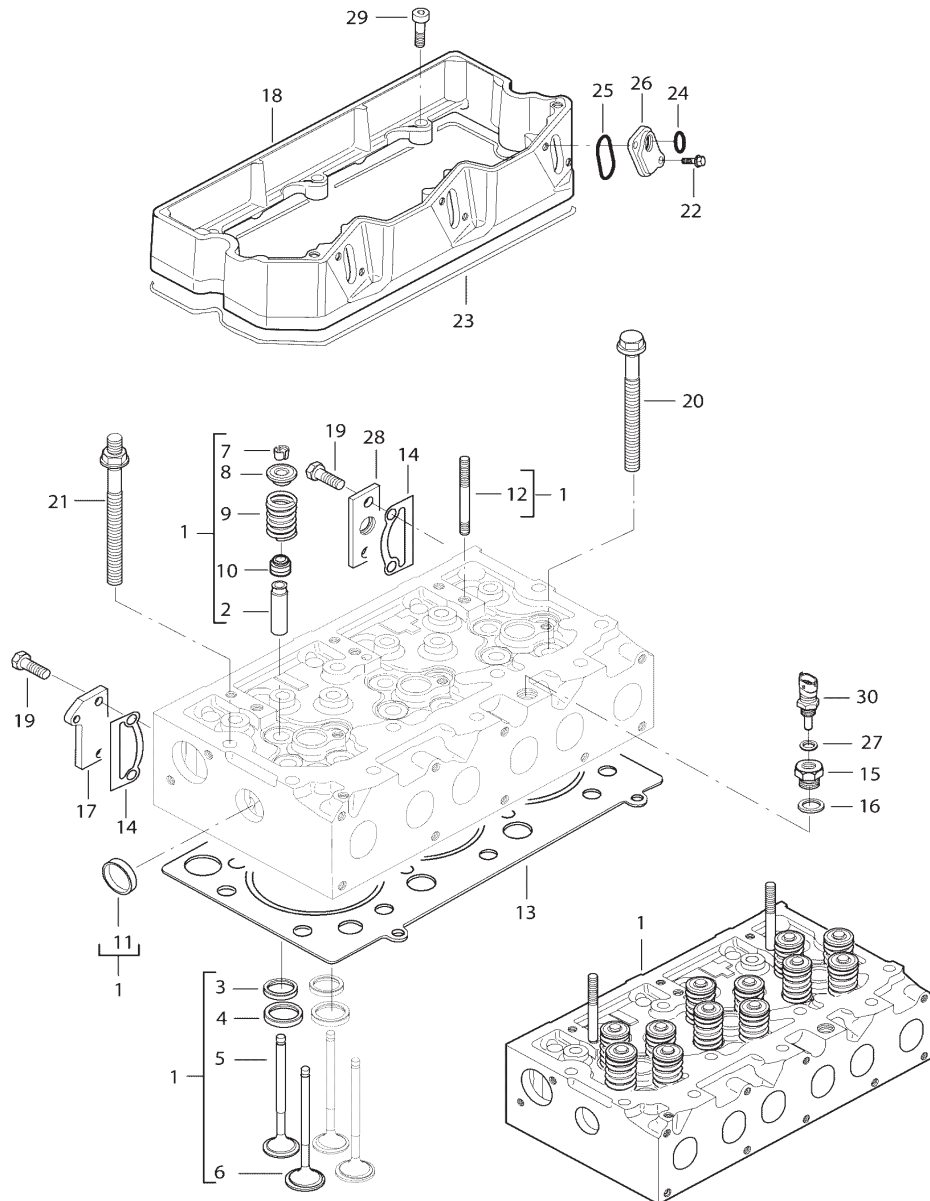


Description

11

CYLINDER HEAD

SIS0224

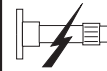


1	52 03 00	25.0	CYLINDER HEAD
2	72 15 00	25.0	VALVE GUIDE
3	72 13 00	25.0	VALVE SEAT
4	72 13 00	25.0	VALVE SEAT
5	72 27 00	26.5	EXHAUST VALVE
6	72 12 00	26.5	INTAKE VALVE
11	72 02 01	16.25	PLUG
13	52 26 01	16.0	CYLINDER HEAD GASKET
14	52 26 02	1.75	GASKET
30	59 23 06	0.75	TEMPERATURE SENSOR

SIS0224

4607M / 4609M / 4610M / 4610M HC TRACTOR
ENGINE, FUEL AND EXHAUST SYSTEM

Item

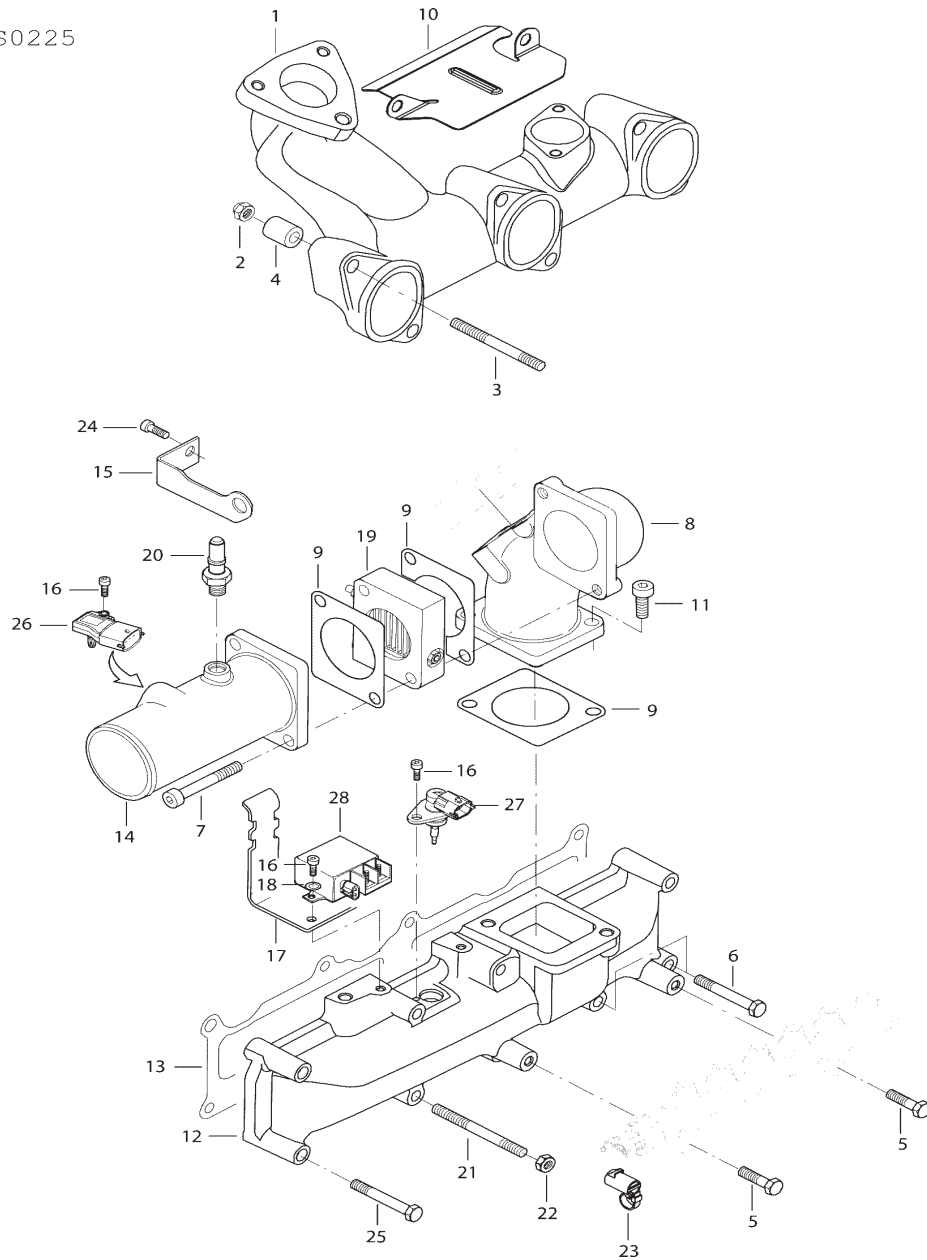


Description

12

INLET AND EXHAUST MANIFOLD

SIS0225

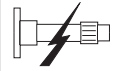


1	72 05 09	2.0	EXHAUST MANIFOLD
9	72 65 03	1.0	GASKET
12	72 06 00	2.75	INTAKE MANIFOLD
13	72 65 00	2.75	INTAKE MANIFOLD GASKET
14	52 05 13	0.75	AIR PIPE
26	59 23 06	0.75	BOOST PRESSURE SENSOR
27	59 23 06	0.75	TEMPERATURE SENSOR
28	59 23 07	1.0	SOLENOID

SIS0225

4607M / 4609M / 4610M / 4610M HC TRACTOR
ENGINE, FUEL AND EXHAUST SYSTEM

Item



Description

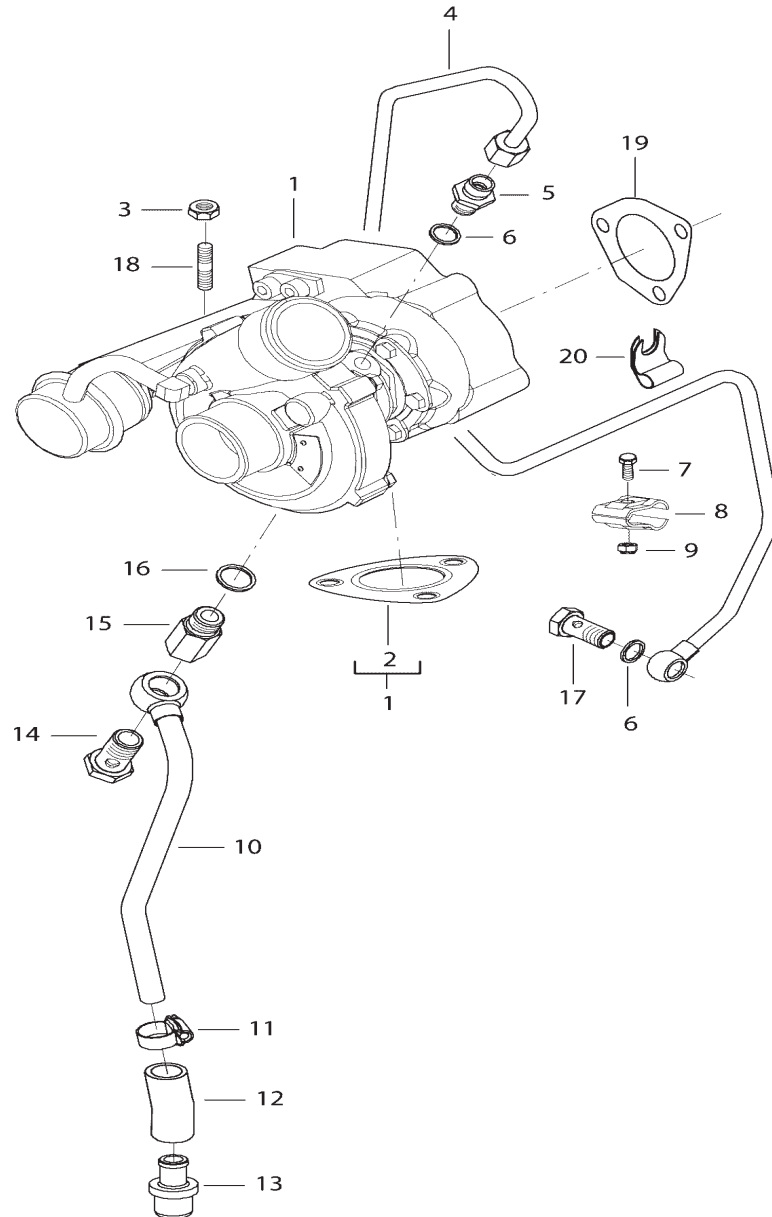
13

TURBOCHARGER

SIS0226

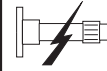
1	78 26 00	2.0	TURBOCHARGER
2	78 64 03	2.0	GASKET
4	78 27 00	0.75	TURBOCHARGER LUBRICATION OIL PIPE
7	58 26 14	1.5	HEX CAP SCREW
10	78 28 00	0.5	OIL LINE

SIS0226



4607M / 4609M / 4610M / 4610M HC TRACTOR
ENGINE, FUEL AND EXHAUST SYSTEM

Item



Description

14

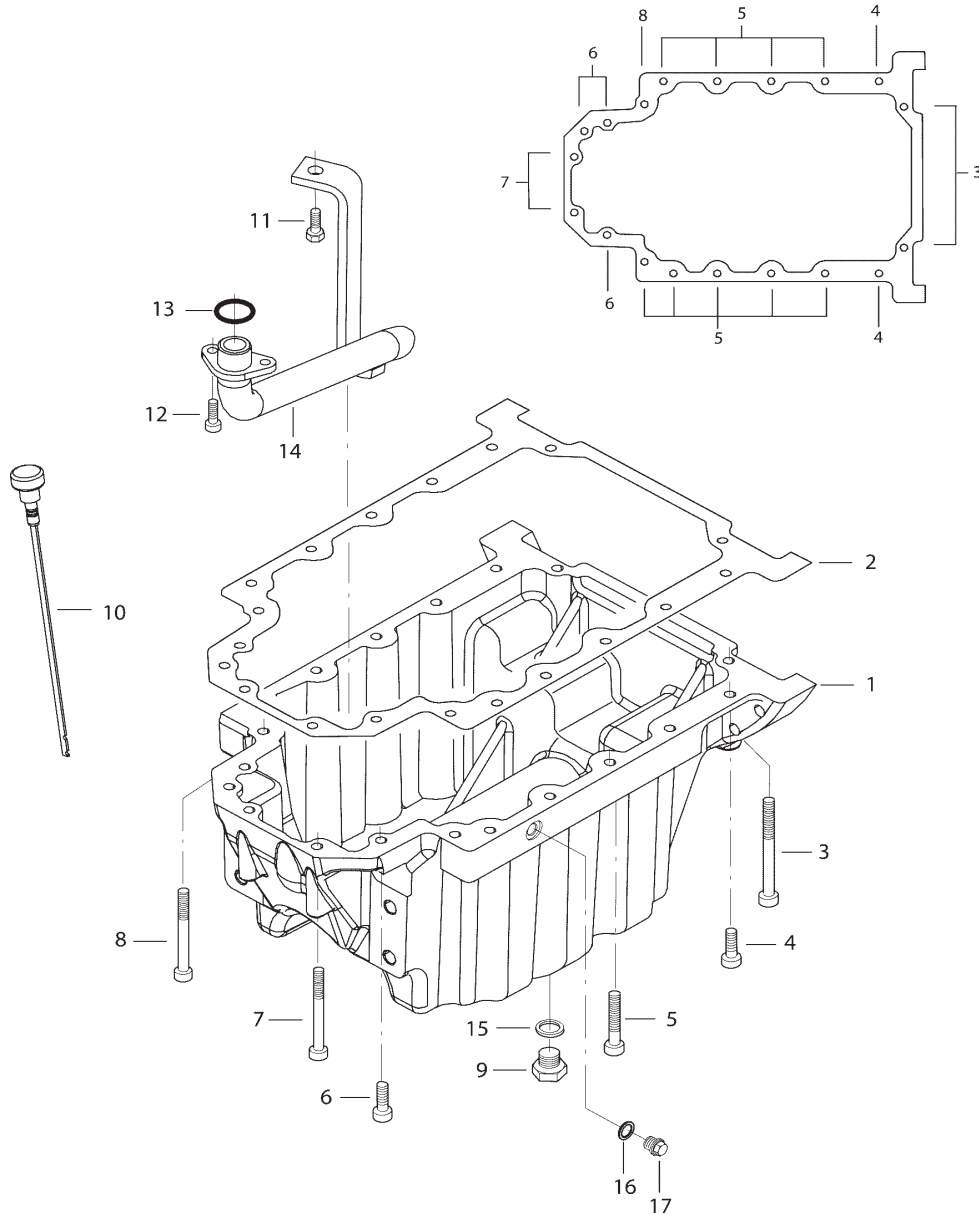
OIL SUMP

SIS0227

- 1 76 01 00 11.5
- 2 76 08 00 11.5
- 14 76 04 00 12.5

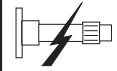
- OIL SUMP
- OIL SUMP GASKET
- SUCTION PIPE

SIS0227



4607M / 4609M / 4610M / 4610M HC TRACTOR
ENGINE, FUEL AND EXHAUST SYSTEM

Item



Description

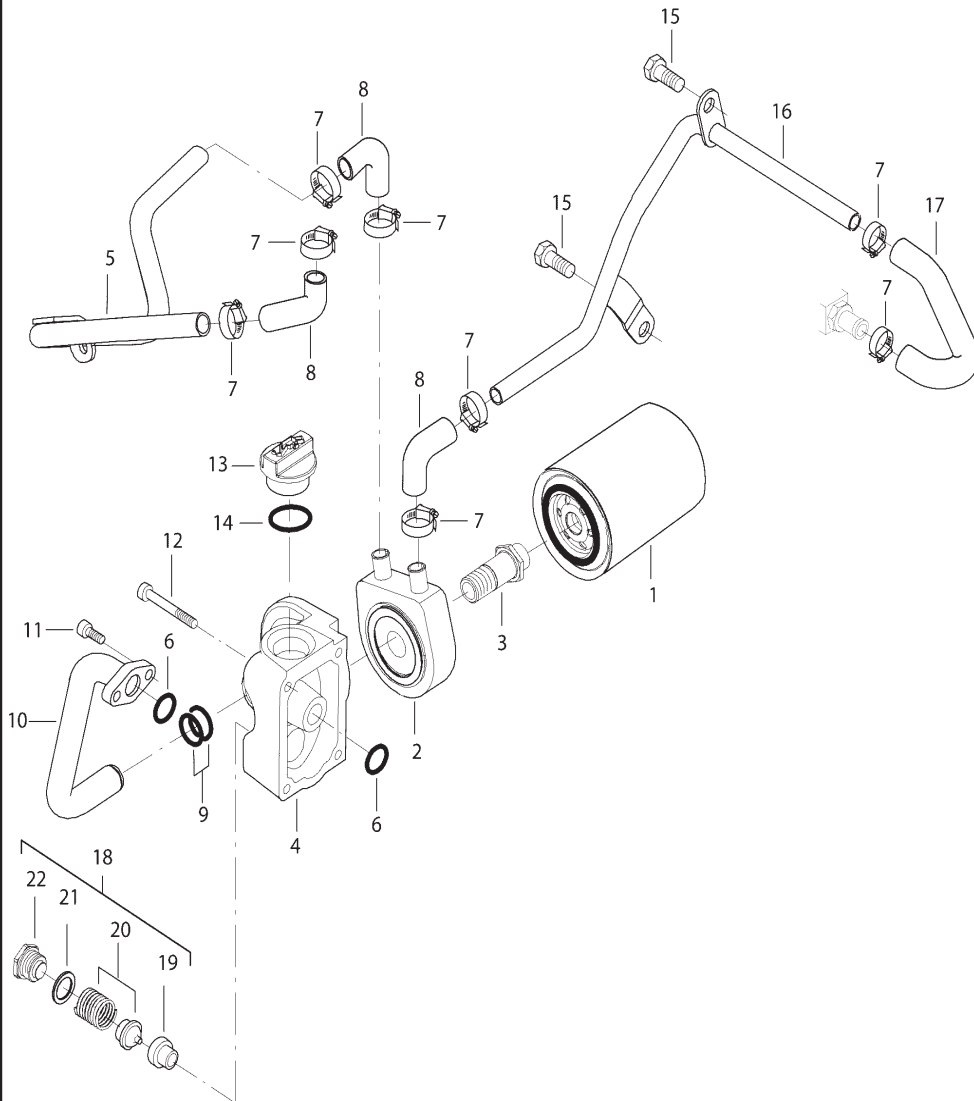
15

OIL FILTER

SIS0228

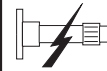
2	79 01 00	1.25	OIL FILTER ADAPTER
3	79 01 06	0.75	FITTING
5	79 01 07	1.5	WATER PIPE
10	79 01 07	1.5	OIL LINE
16	79 01 07	1.5	WATER PIPE
18	76 07 01	0.5	REGULATING VALVE

SIS0228



4607M / 4609M / 4610M / 4610M HC TRACTOR
ENGINE, FUEL AND EXHAUST SYSTEM

Item

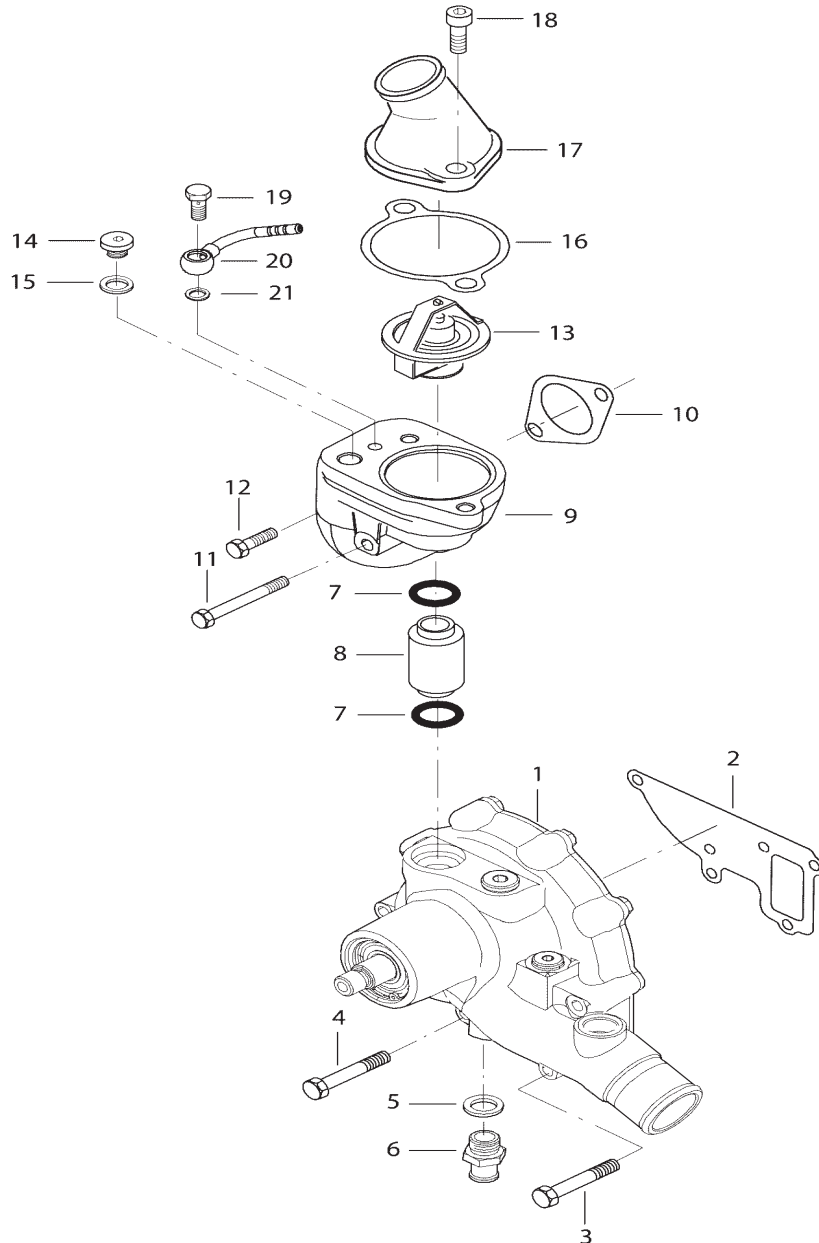


Description

16

WATER PUMP

SIS0230

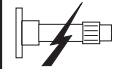


-	59 17 07	4.25	WATER PUMP (OVERHAUL)
1	79 19 00	3.0	WATER PUMP
9	79 17 01	2.0	THERMOSTAT BODY
10	79 17 11	2.0	GASKET
13	59 16 00	1.5	THERMOSTAT
16	79 17 02	1.0	GASKET
17	59 17 00	1.0	WATER PIPE

SIS0230

4607M / 4609M / 4610M / 4610M HC TRACTOR
ENGINE, FUEL AND EXHAUST SYSTEM

Item

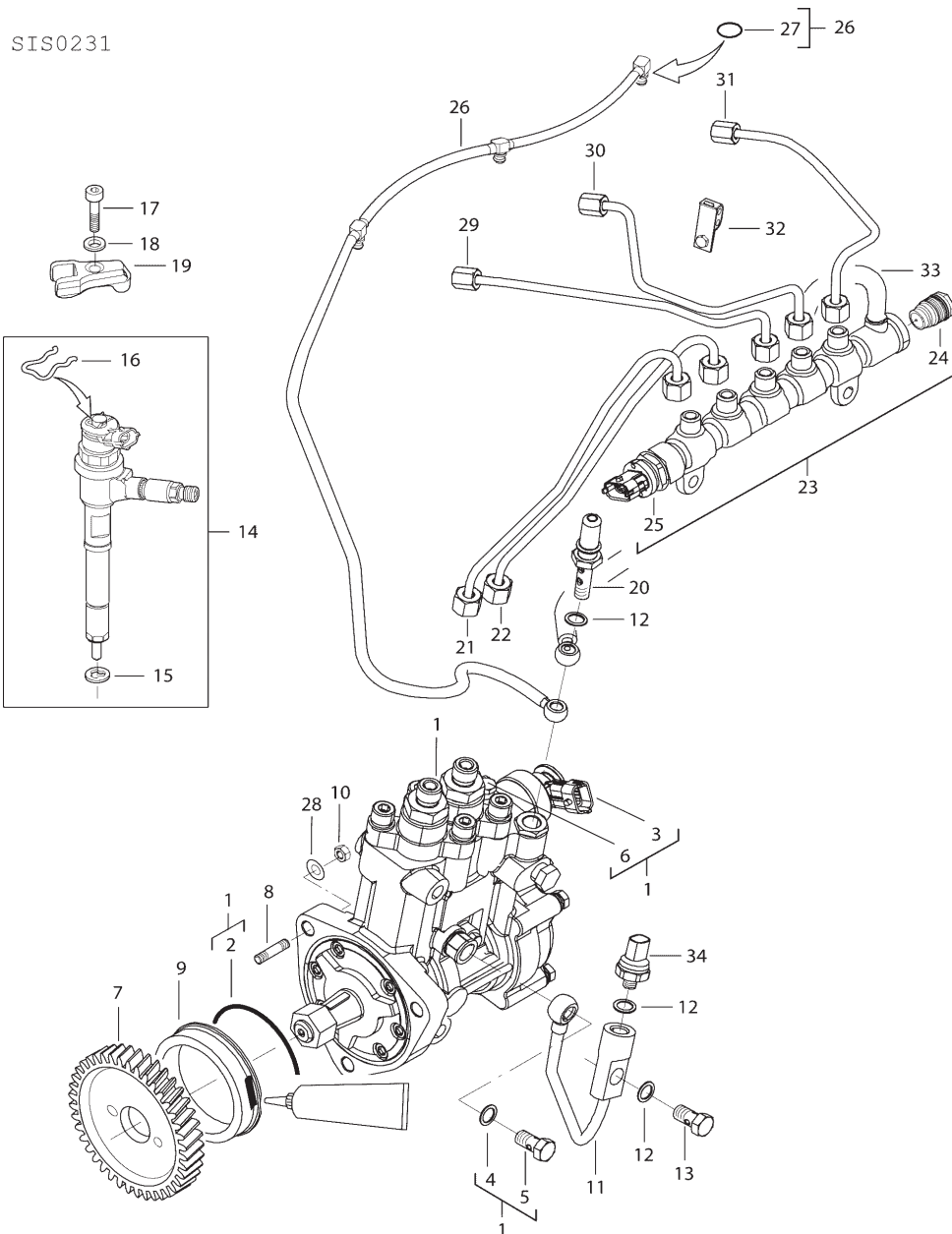


Description

17

INJECTION PUMP

SIS0231

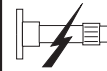


1	77 01 03	3.0	INJECTION PUMP
11	57 22 15	0.5	OIL LINE
14	57 21 00	4.0	INJECTOR
21	57 22 06	1.5	FUEL LINE
22	57 22 06	1.5	FUEL LINE
23	57 22 14	1.5	FUEL LINE
25	59 23 29	0.75	FUEL PRESSURE SENSOR
26	77 16 02	1.75	LEAK-OFF PIPE
29	57 22 06	1.5	INJECTION PIPE
30	57 22 06	1.5	INJECTION PIPE
31	57 22 06	1.5	INJECTION PIPE
33	57 22 08	1.5	FUEL LINE
34	59 23 06	0.75	PRESSURE SENSOR

SIS0231

4607M / 4609M / 4610M / 4610M HC TRACTOR
ENGINE, FUEL AND EXHAUST SYSTEM

Item



Description

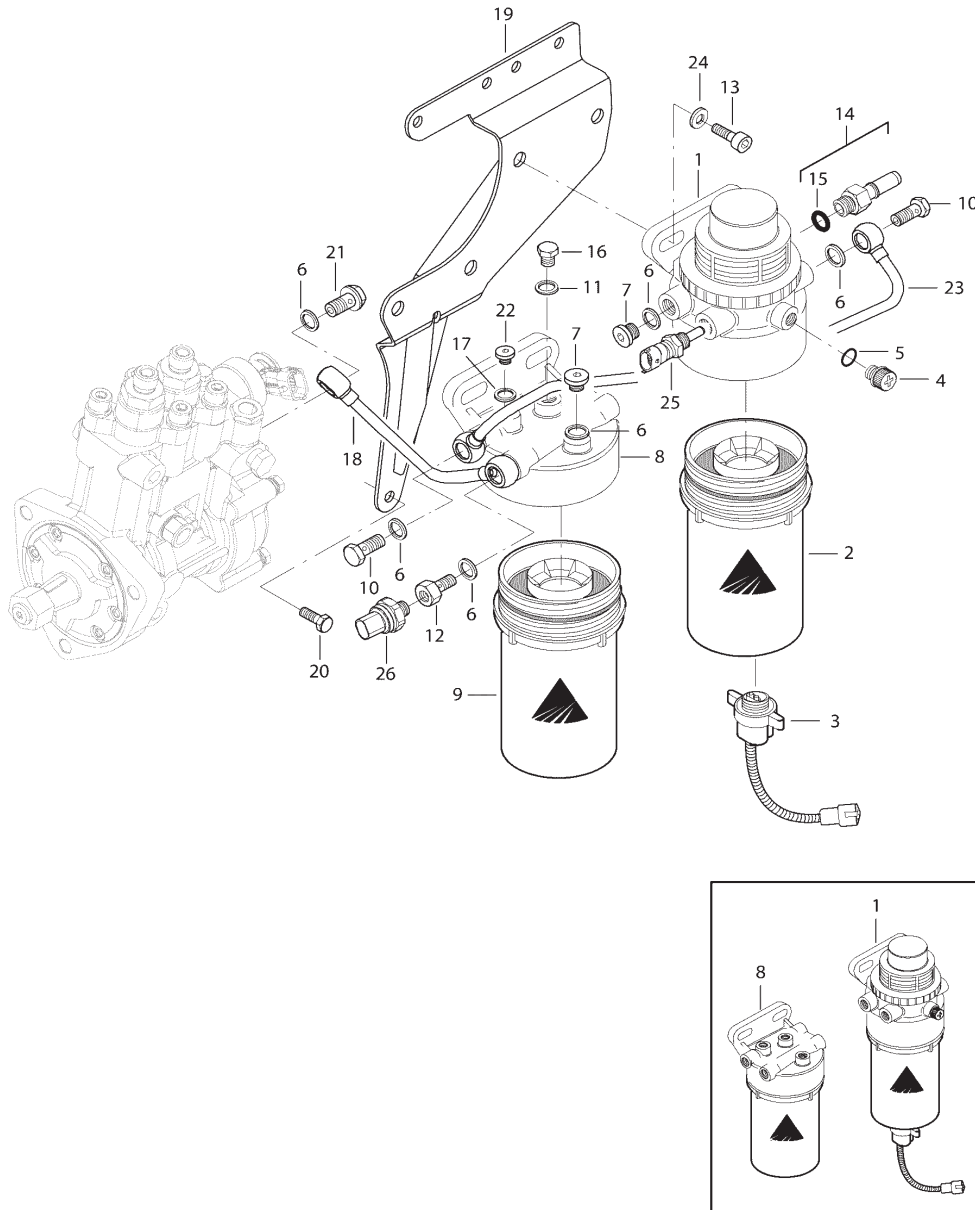
18

FUEL FILTER

SIS0232

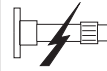
1	57 16 06	1.5	PREFILTER
8	77 17 00	1.5	MAIN FILTER
23	77 04 02	1.25	FUEL LINE
25	59 23 06	0.75	TEMPERATURE SENSOR
26	59 23 05	0.75	PRESSURE SENSOR

SIS0232



4607M / 4609M / 4610M / 4610M HC TRACTOR
ENGINE, FUEL AND EXHAUST SYSTEM

Item

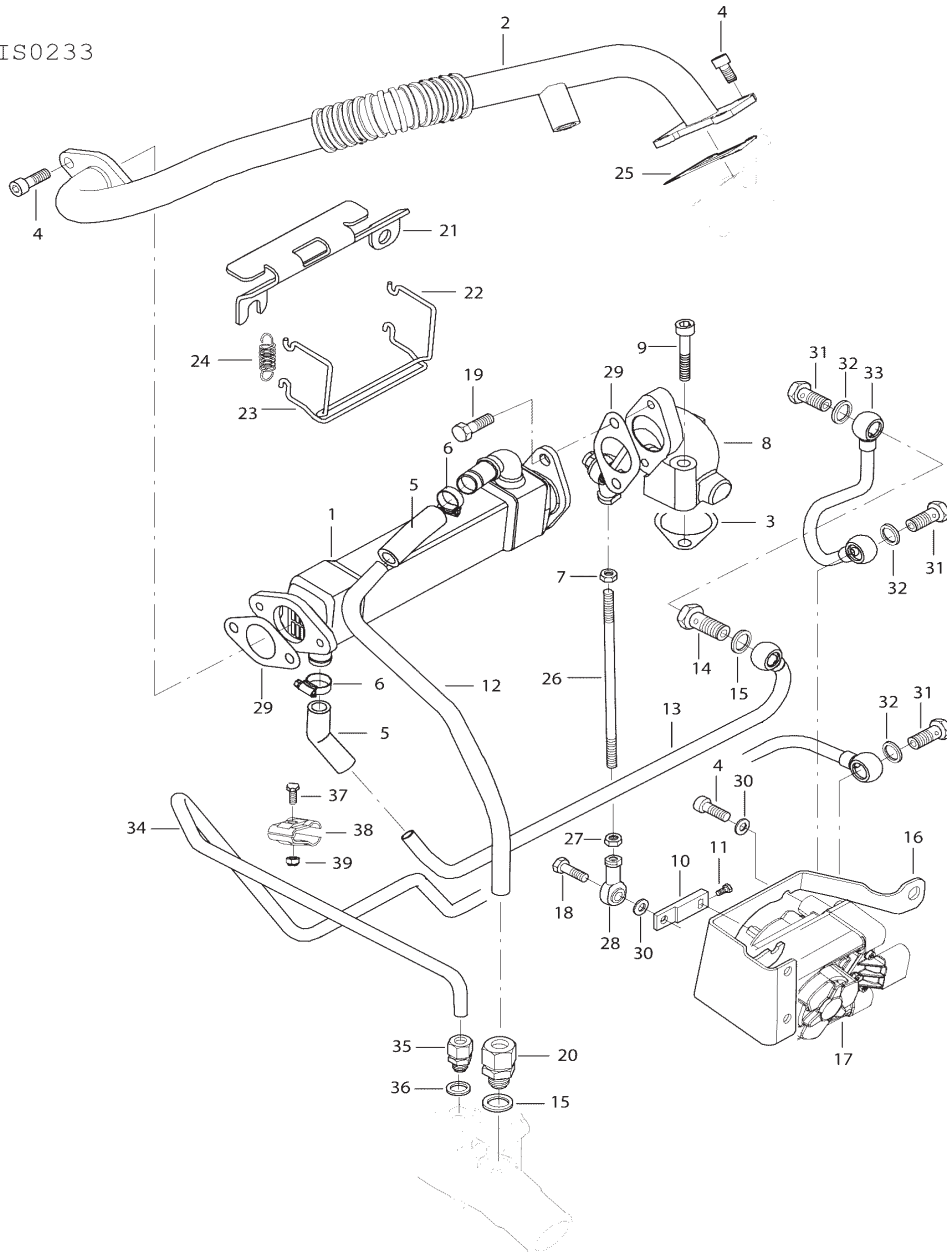


Description

19

EXHAUST SYSTEM

SIS0233



1	72 01 00	1.75	EGR COOLER
2	72 01 01	1.5	PIPE
8	72 01 02	2.5	EGR VALVE
12	72 01 03	1.0	WATER PIPE
13	72 01 03	1.0	WATER PIPE
17	72 01 04	1.75	ACTUATOR
21	72 01 05	2.0	BRACKET

SIS0233

This as a preview PDF file from best-manuals.com



Download full PDF manual at best-manuals.com