

# 8320R Tractor



**JOHN DEERE**

## **PARTS CATALOG**

**8320R Tractor**

**PC10304 (Sep-10) English**

**John Deere Waterloo Works**

Litho in U.S.A. (Revised)  
COPYRIGHT © 2010  
DEERE & COMPANY  
Moline, Illinois  
All rights reserved

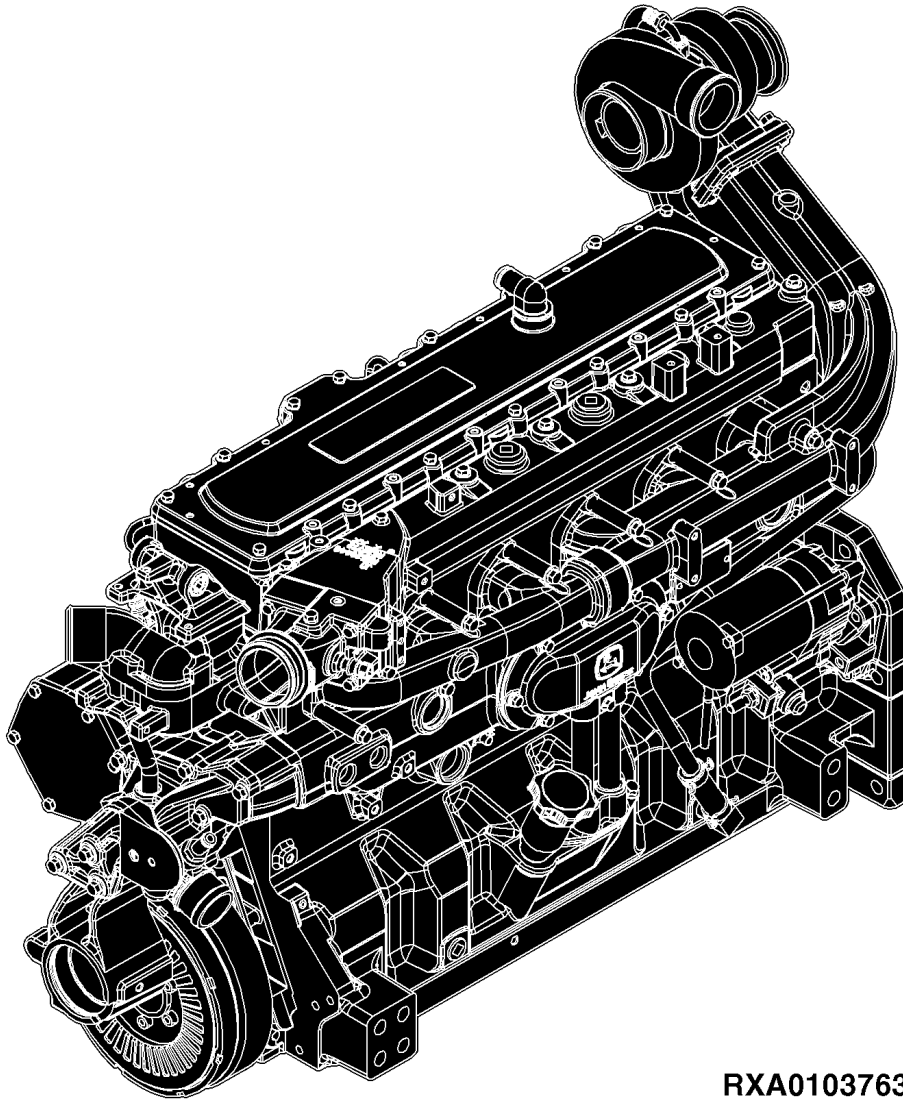


Primary Pictorial Index  
Index d'illustrations principal  
Hauptbildindex  
Indice principale illustrato  
Índice primario de ilustraciones  
Huvudbildregister

RXA0103763 A.1

20-	53
21-	135
22-	217
23-	299

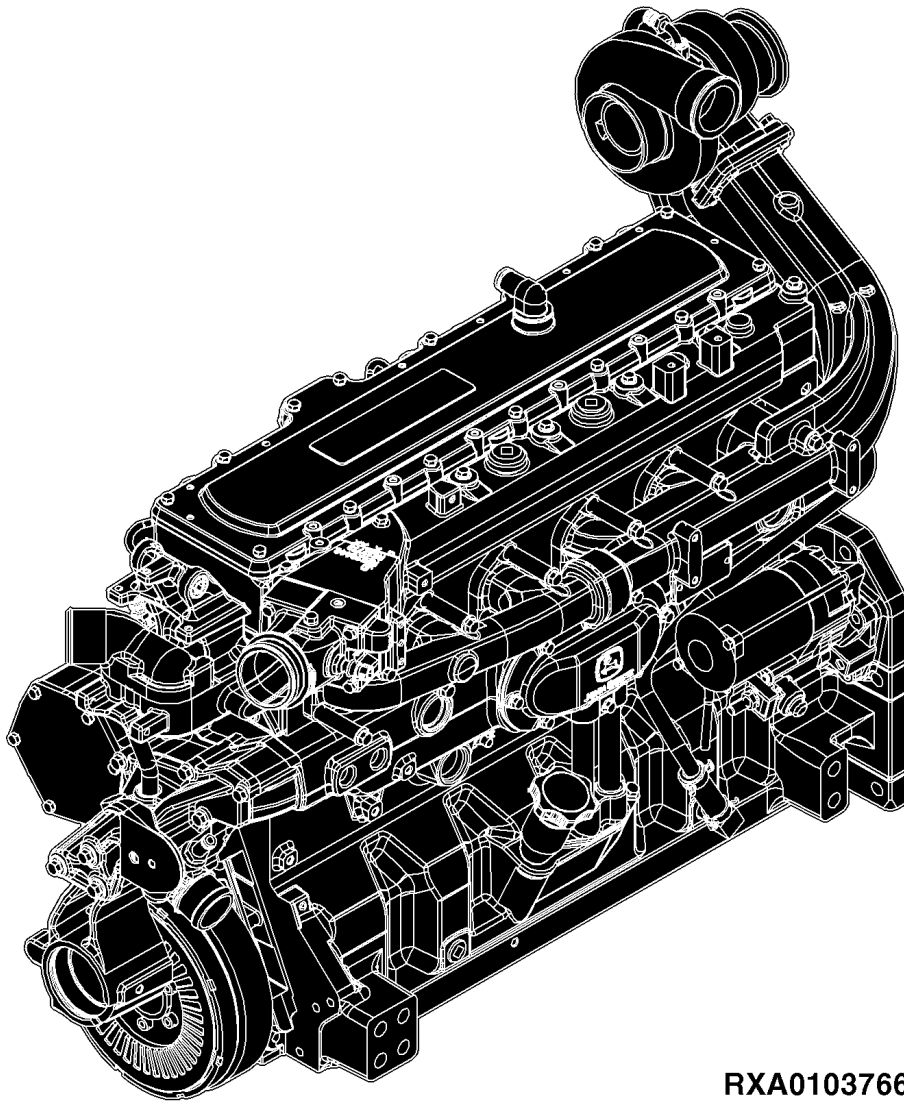
## 20, 21, 22, 23



RXA0103763

25-	381
26-	437
27-	493
28-	549

## 25, 26, 27, 28

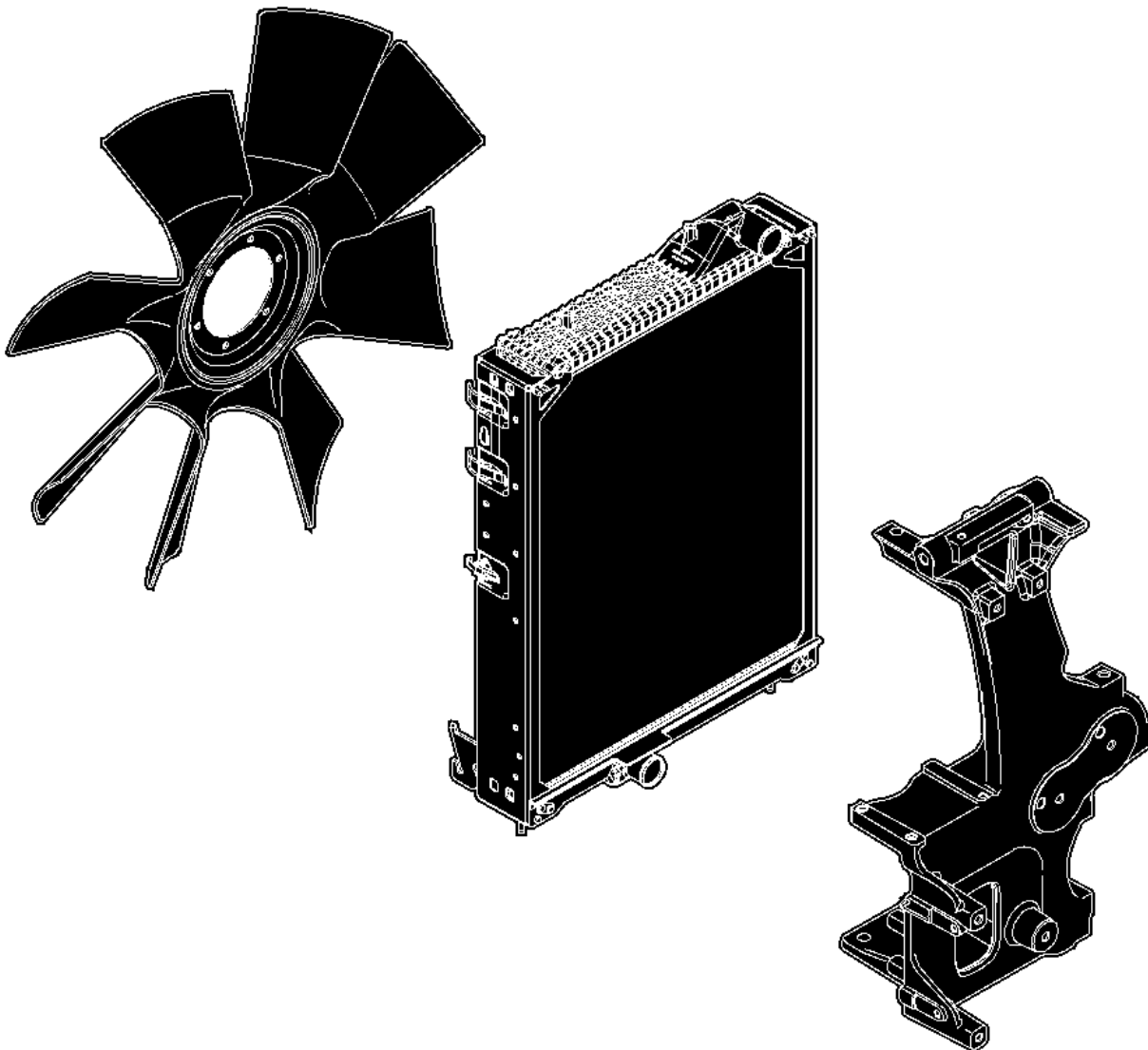


RXA0103766

Primary Pictorial Index  
Index d'illustrations principal  
Hauptbildindex  
Indice principale illustrato  
Índice primario de ilustraciones  
Huvudbildregister

RXA0103469 A.1

30

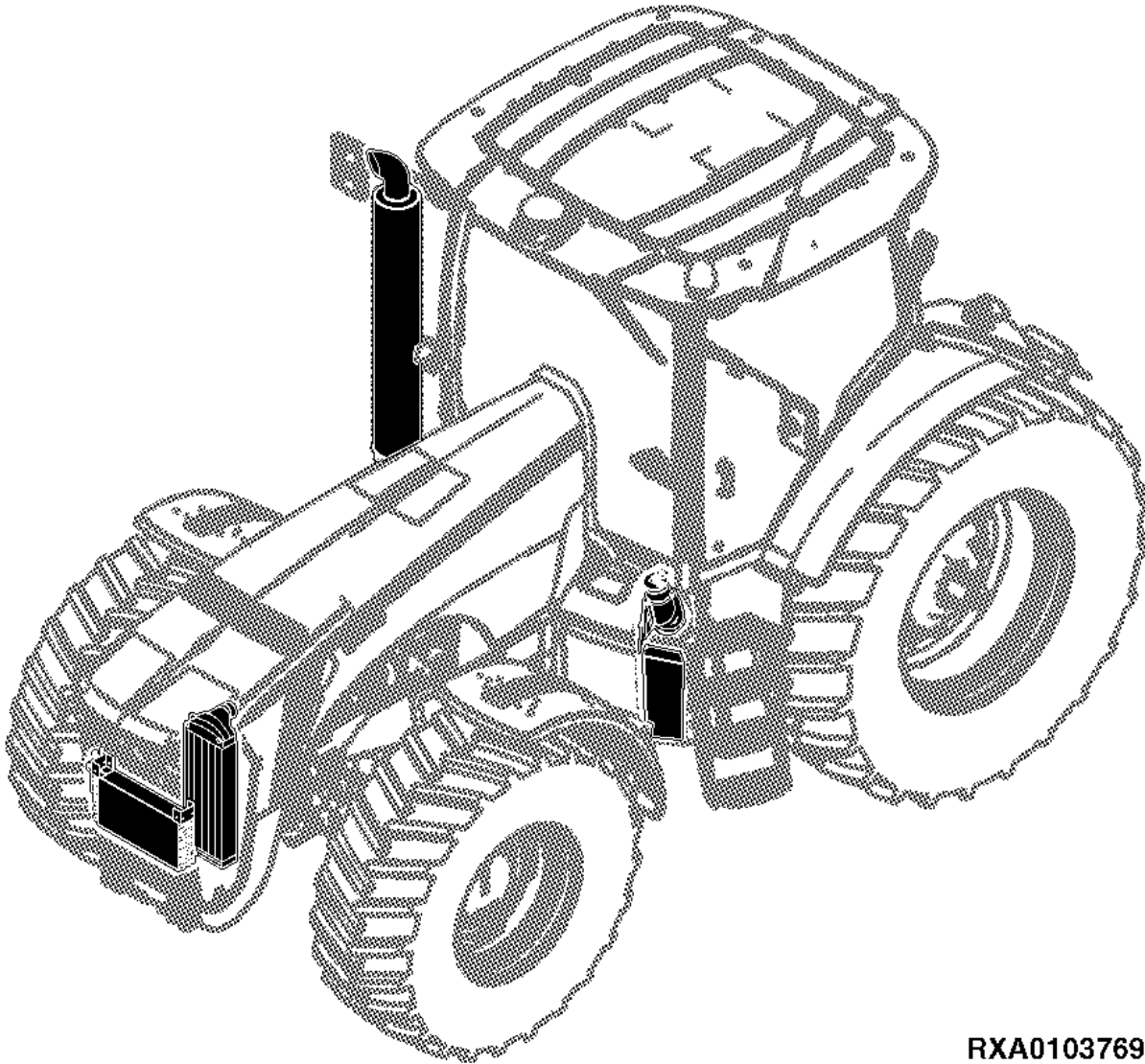


RXA0103469

Primary Pictorial Index  
Index d'illustrations principal  
Hauptbildindex  
Indice principale illustrato  
Índice primario de ilustraciones  
Huvudbildregister

RXA0103769 A.1

35

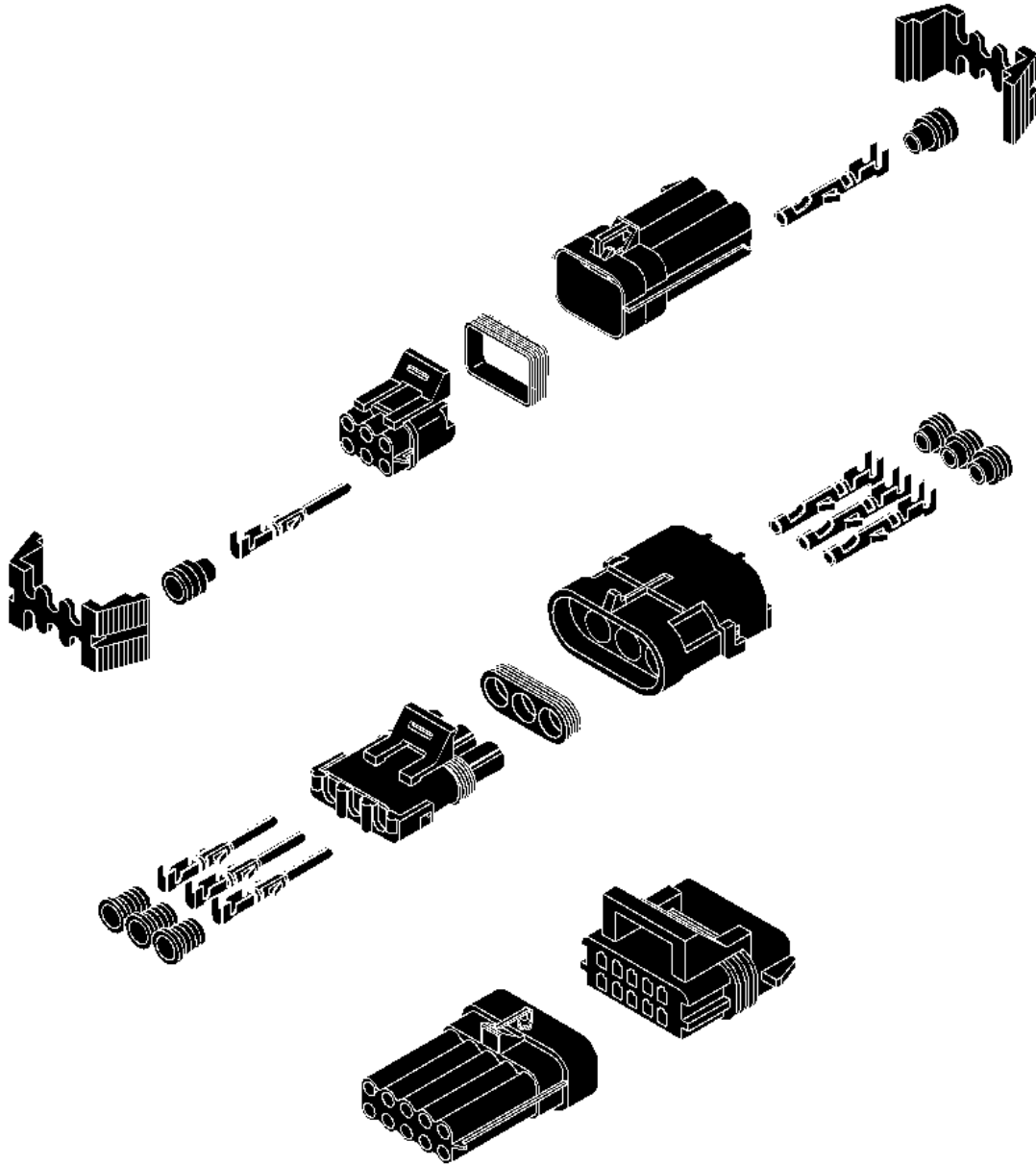


RXA0103769

Primary Pictorial Index  
Index d'illustrations principal  
Hauptbildindex  
Indice principale illustrato  
Índice primario de ilustraciones  
Huvudbildregister

RXA0081812 A.1

40

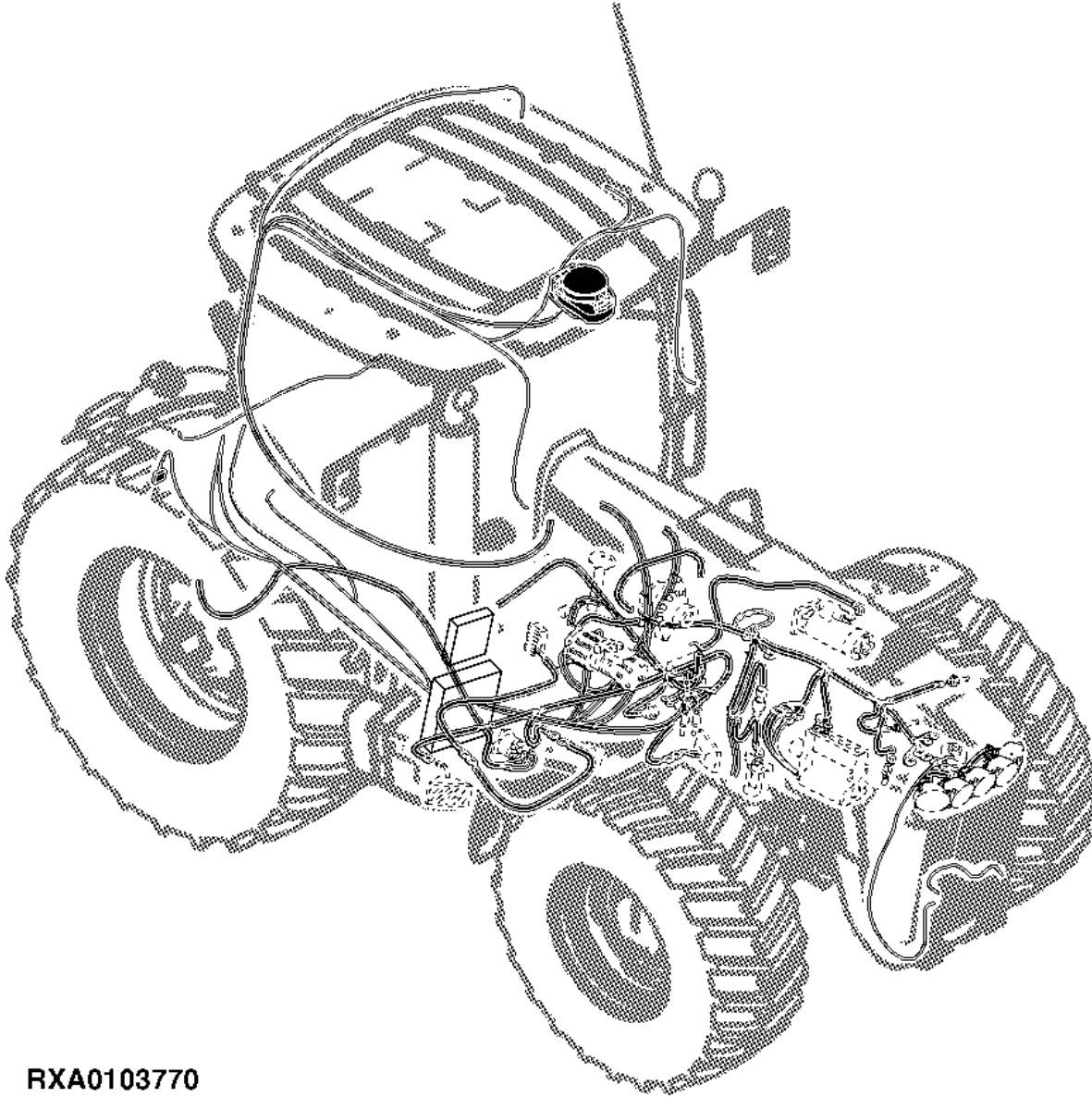


RXA0081812

Primary Pictorial Index  
Index d'illustrations principal  
Hauptbildindex  
Indice principale illustrato  
Índice primario de ilustraciones  
Huvudbildregister

RXA0103770 A.1

41



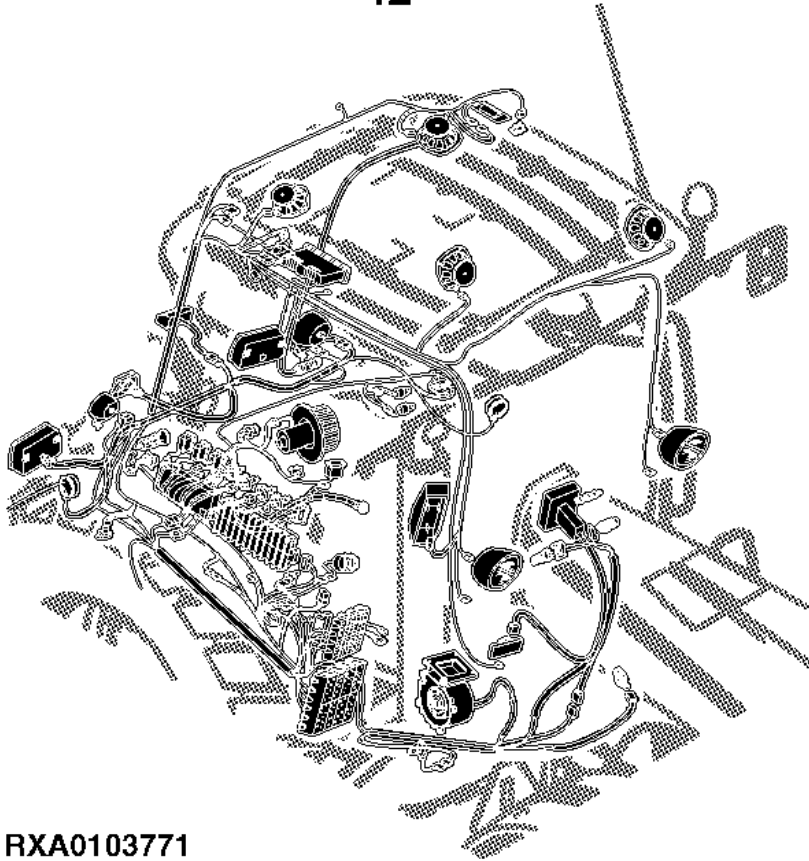
RXA0103770



Primary Pictorial Index  
Index d'illustrations principal  
Hauptbildindex  
Indice principale illustrato  
Índice primario de ilustraciones  
Huvudbildregister

RXA0103771 A.1

42

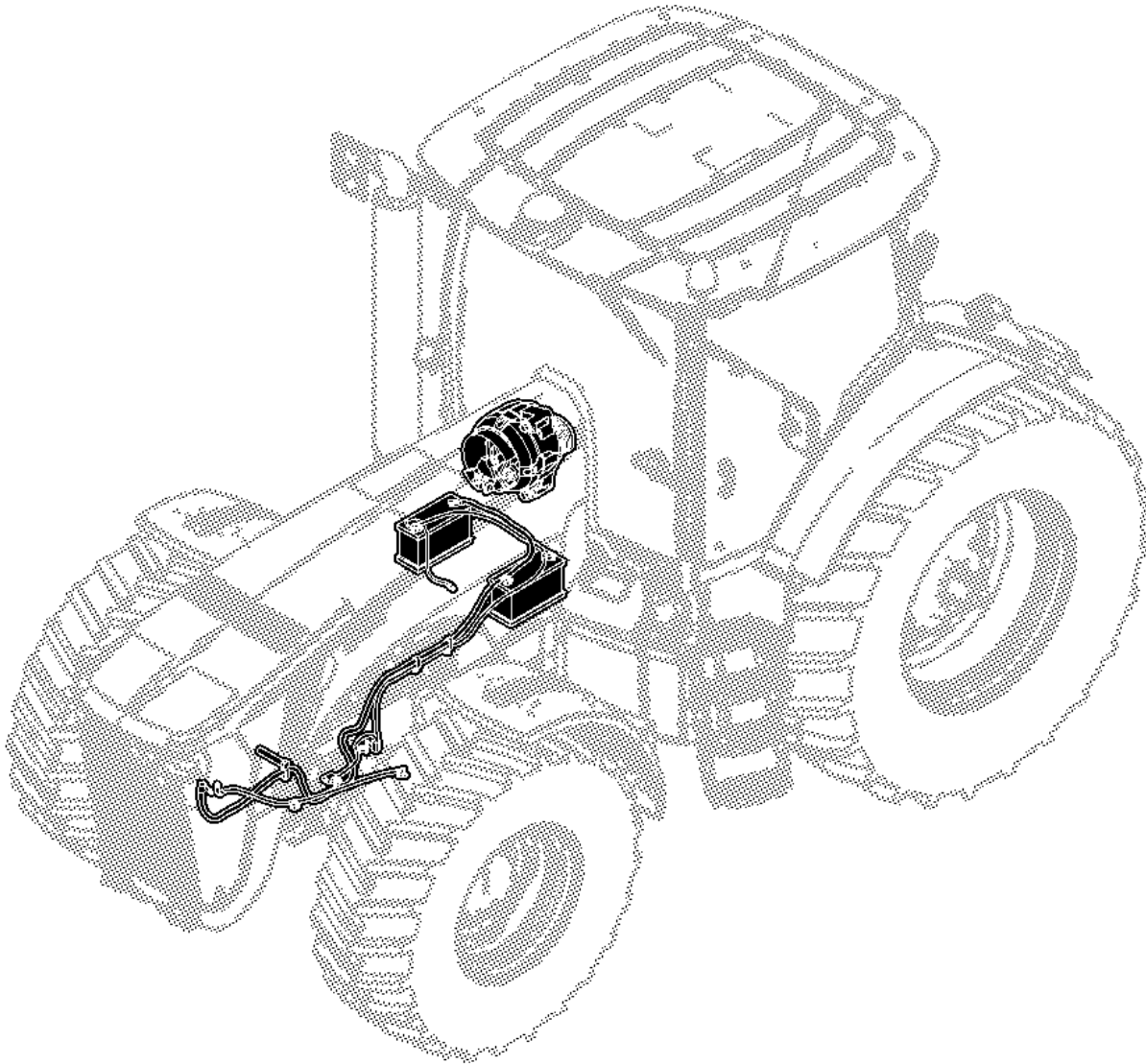


RXA0103771

Primary Pictorial Index  
Index d'illustrations principal  
Hauptbildindex  
Indice principale illustrato  
Índice primario de ilustraciones  
Huvudbildregister

RXA0103774 A.1

43

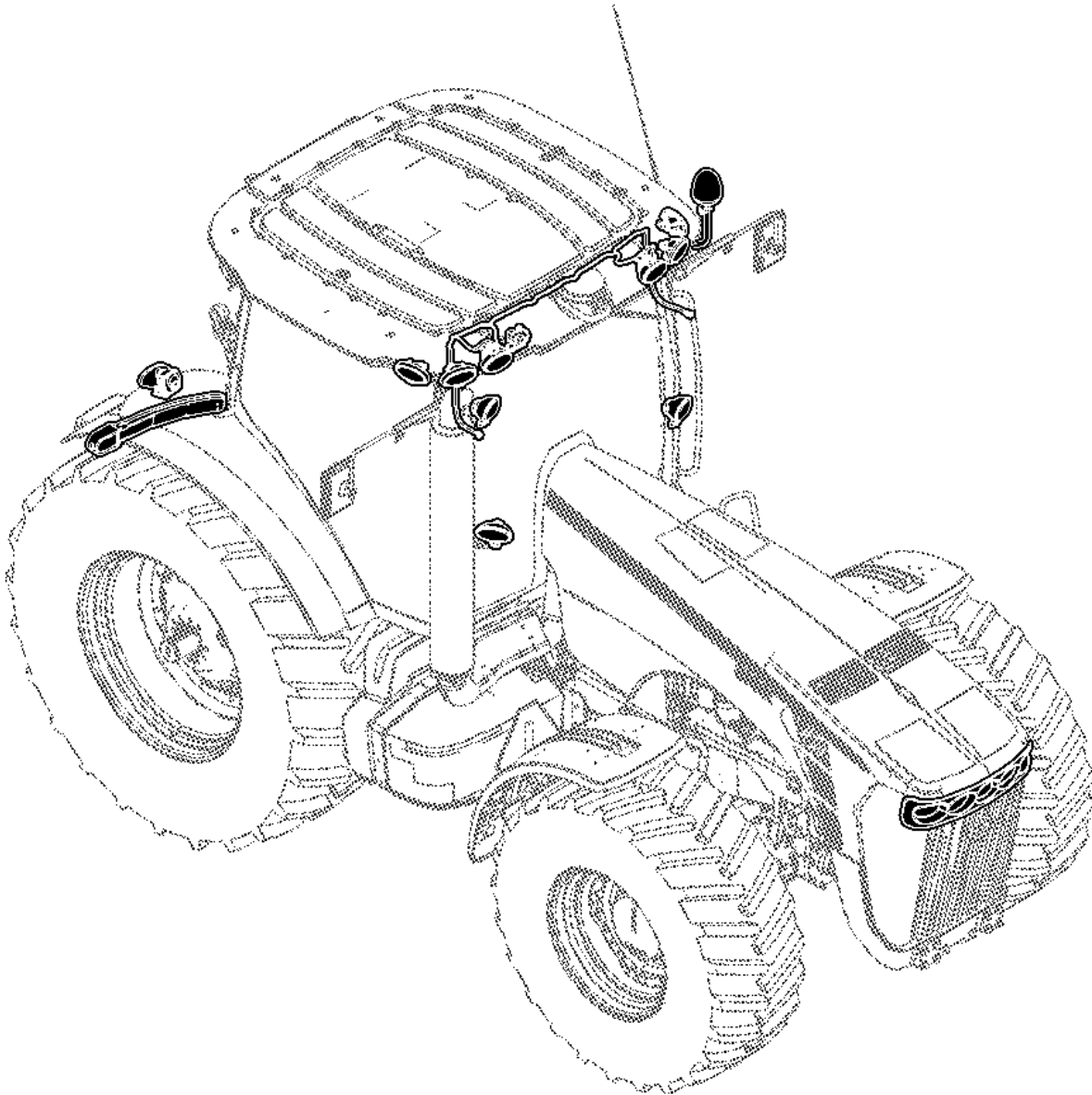


RXA0103774

Primary Pictorial Index  
Index d'illustrations principal  
Hauptbildindex  
Indice principale illustrato  
Índice primario de ilustraciones  
Huvudbildregister

RXA0103721 A.1

44

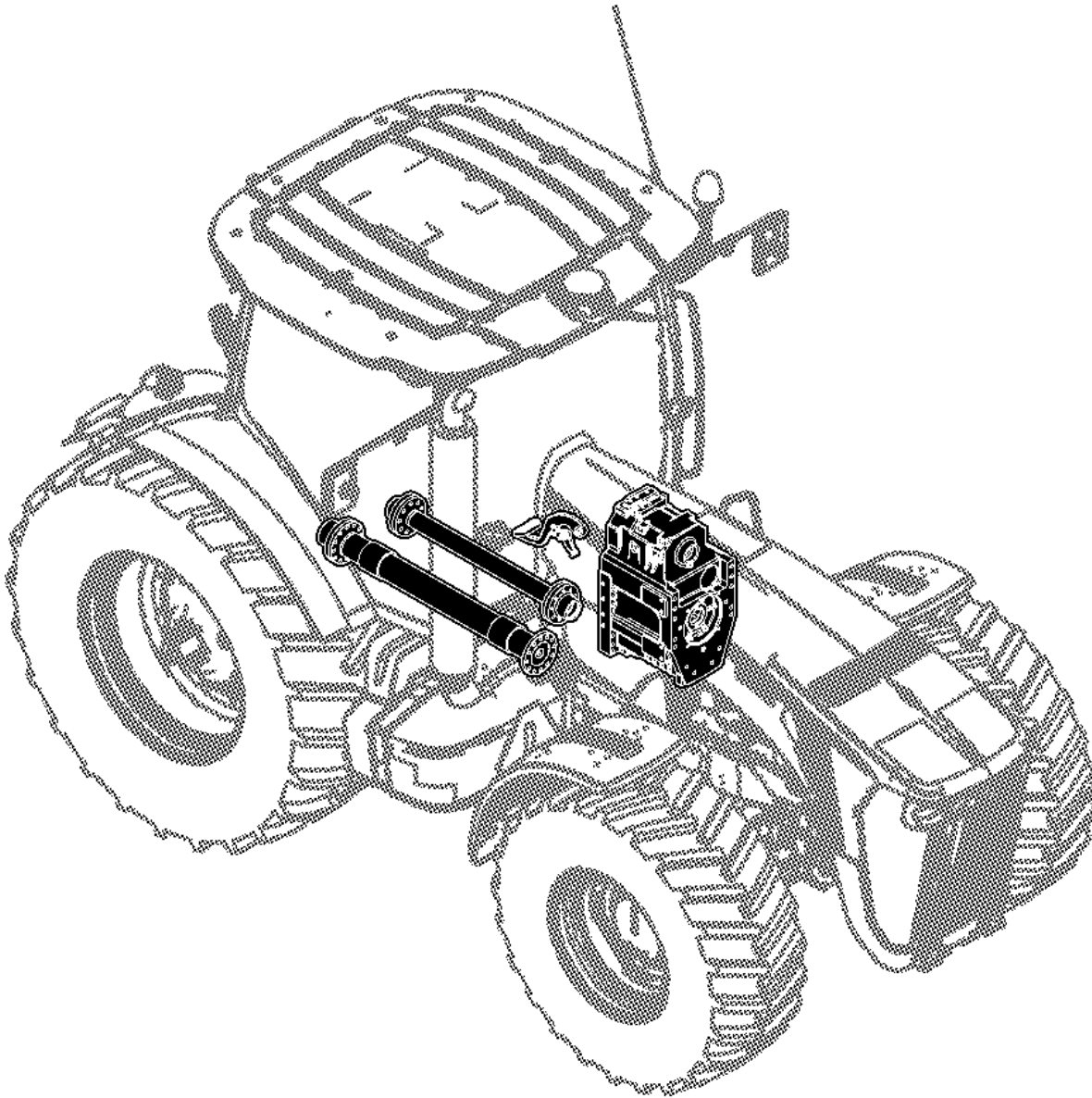


RXA0103721

Primary Pictorial Index  
Index d'illustrations principal  
Hauptbildindex  
Indice principale illustrato  
Índice primario de ilustraciones  
Huvudbildregister

RXA0103779 A.1

51

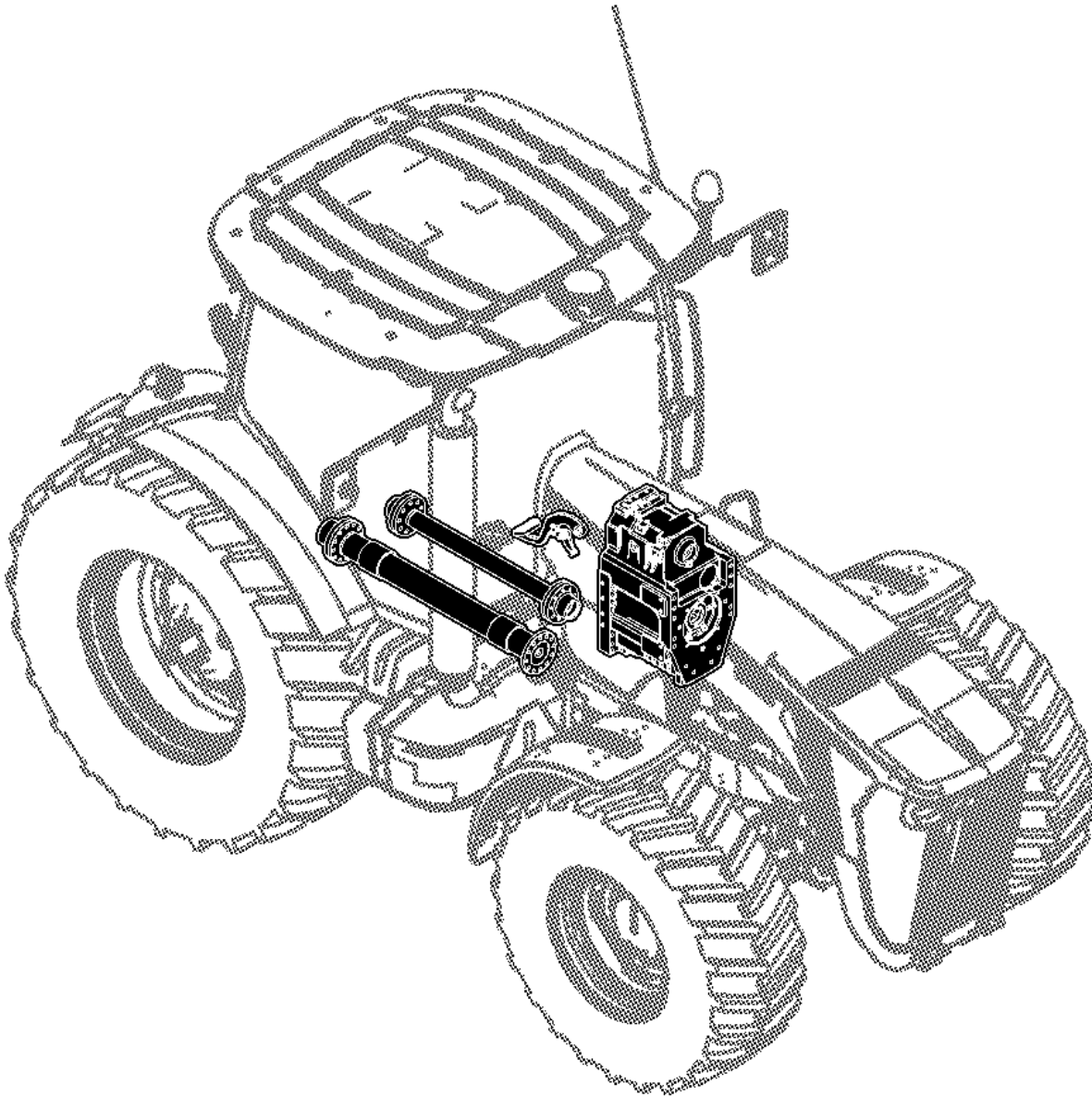


RXA0103779

Primary Pictorial Index  
Index d'illustrations principal  
Hauptbildindex  
Indice principale illustrato  
Índice primario de ilustraciones  
Huvudbildregister

RXA0103780 A.1

52

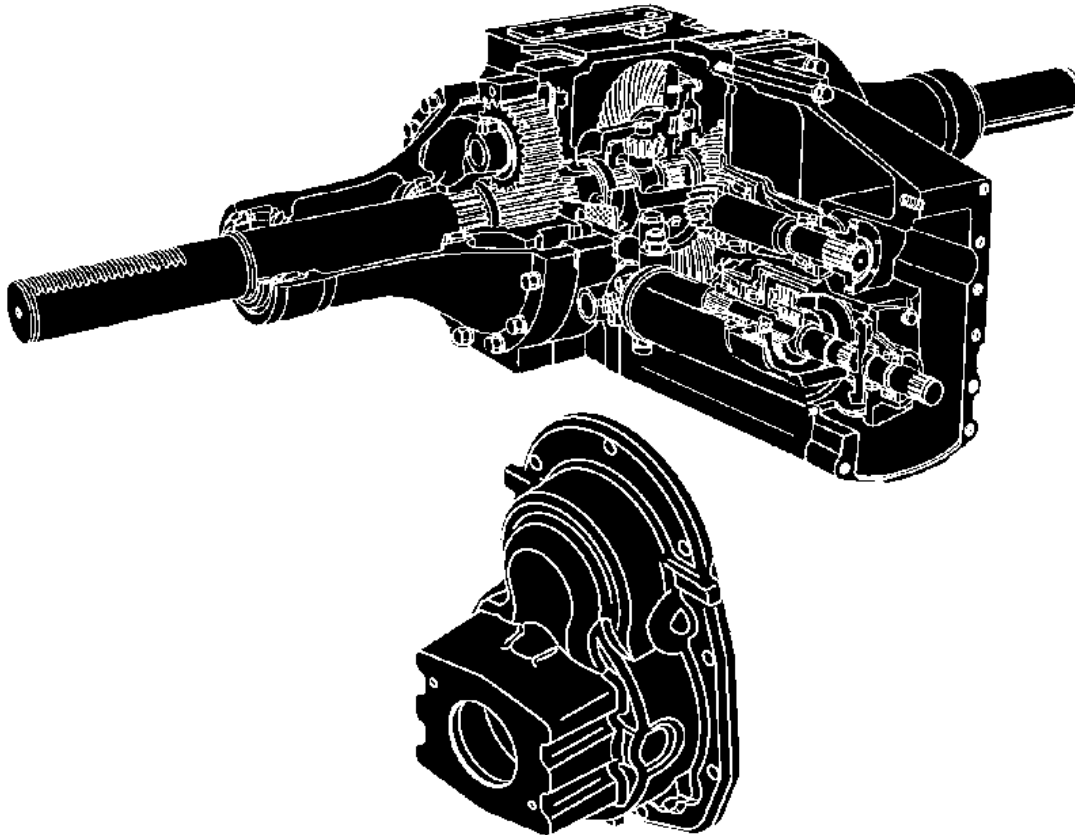


RXA0103780

Primary Pictorial Index  
Index d'illustrations principal  
Hauptbildindex  
Indice principale illustrato  
Índice primario de ilustraciones  
Huvudbildregister

RXA0081829 A.1

53

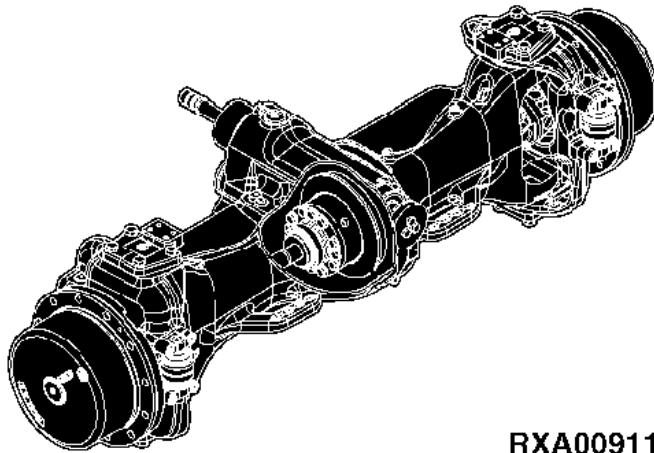


RXA0081829

Primary Pictorial Index  
Index d'illustrations principal  
Hauptbildindex  
Indice principale illustrato  
Índice primario de ilustraciones  
Huvudbildregister

RXA0091185 A.1

55

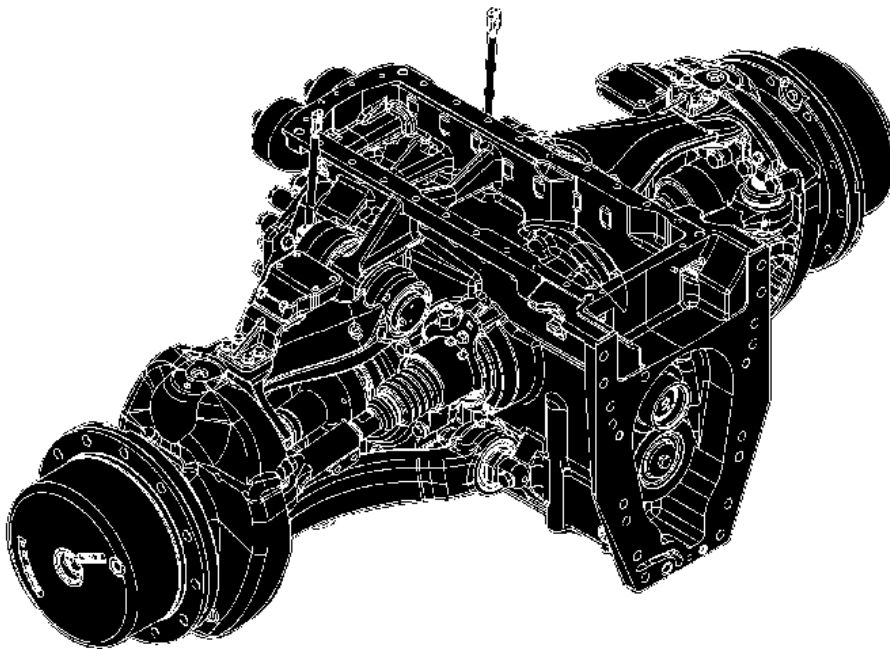


RXA0091185

Primary Pictorial Index  
Index d'illustrations principal  
Hauptbildindex  
Indice principale illustrato  
Índice primario de ilustraciones  
Huvudbildregister

RXA0091282 A.1

56



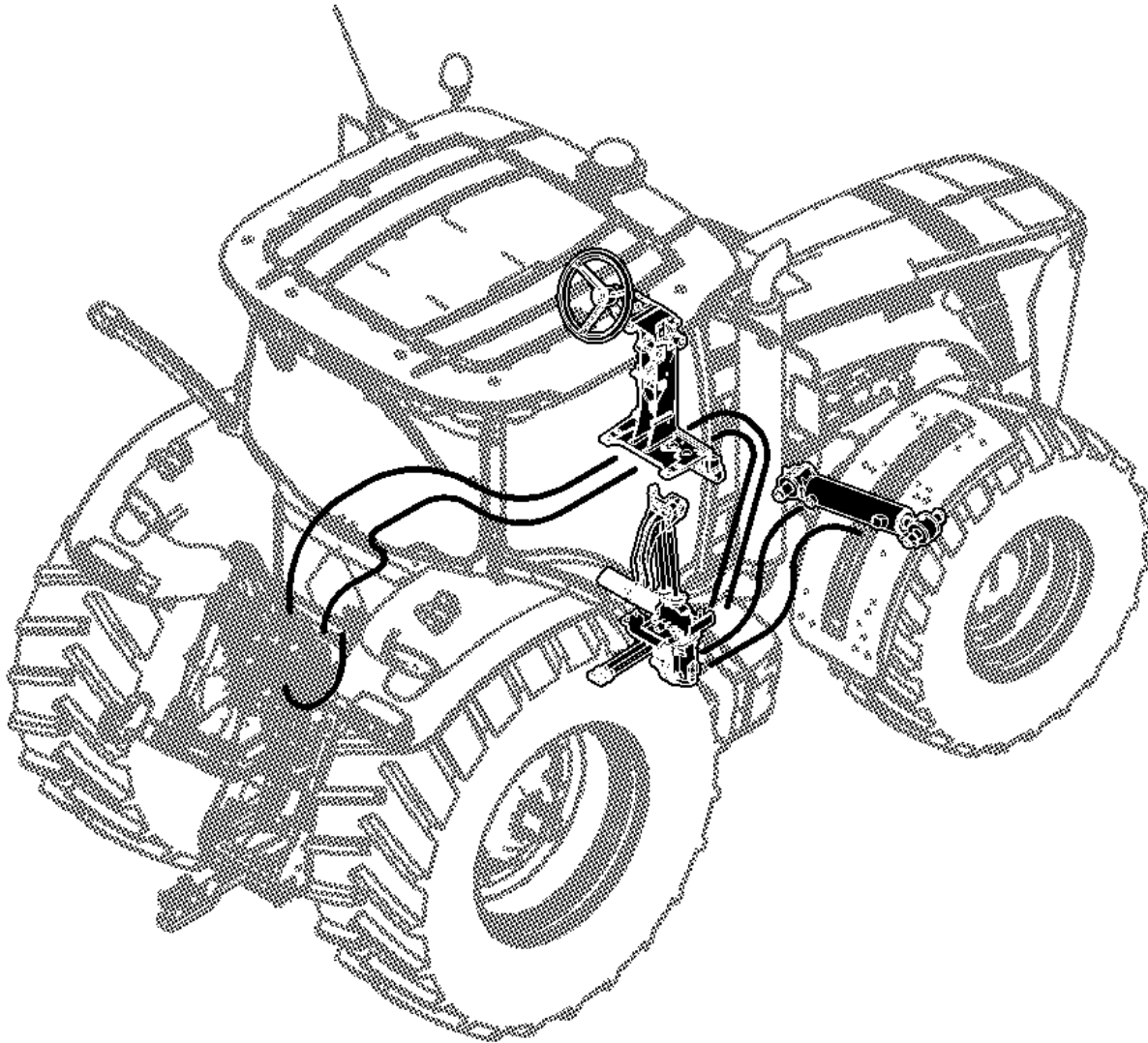
RXA0091282



Primary Pictorial Index  
Index d'illustrations principal  
Hauptbildindex  
Indice principale illustrato  
Índice primario de ilustraciones  
Huvudbildregister

RXA0103781 A.1

60

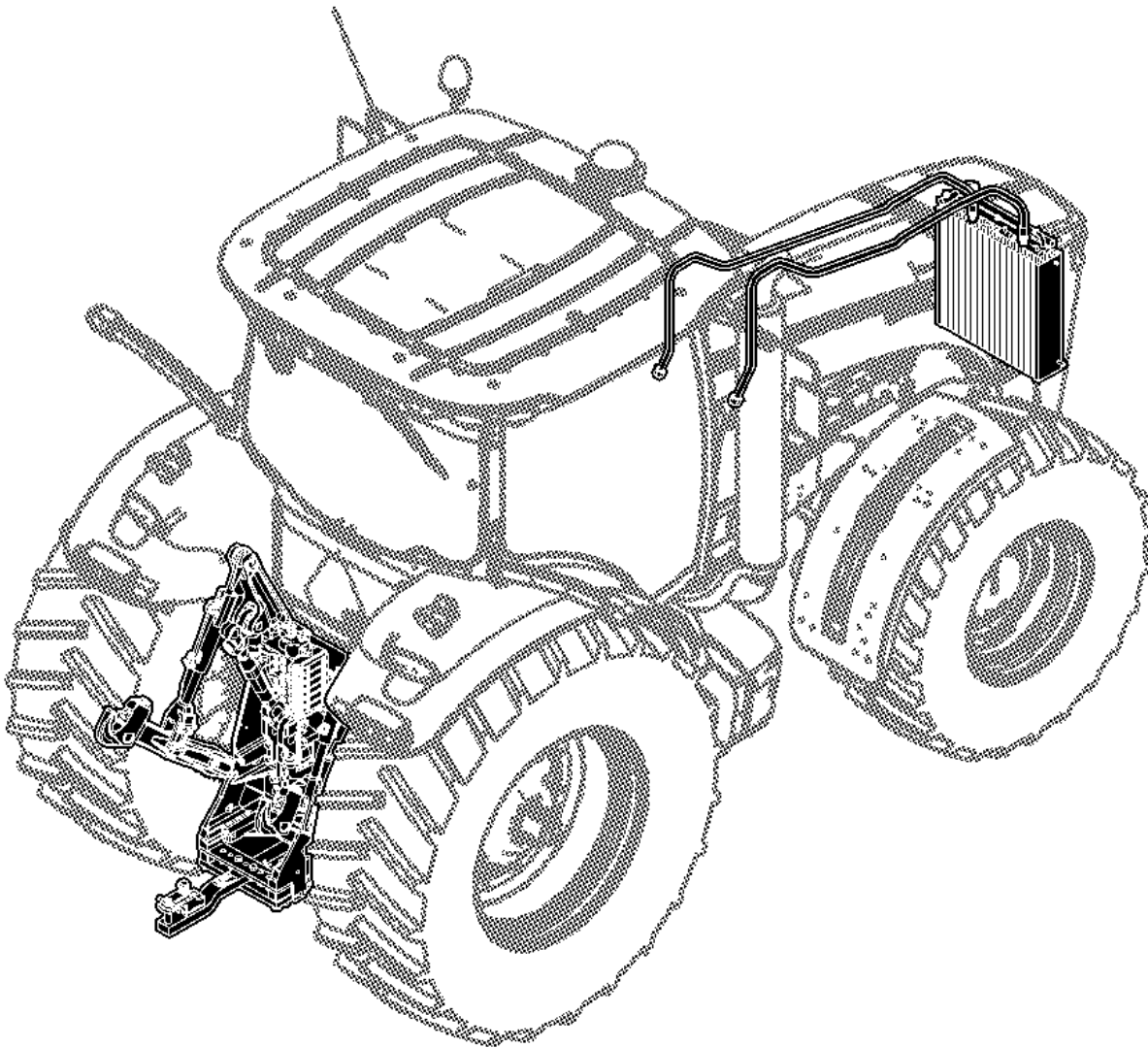


RXA0103781

Primary Pictorial Index  
Index d'illustrations principal  
Hauptbildindex  
Indice principale illustrato  
Índice primario de ilustraciones  
Huvudbildregister

RXA0103792 A.1

70

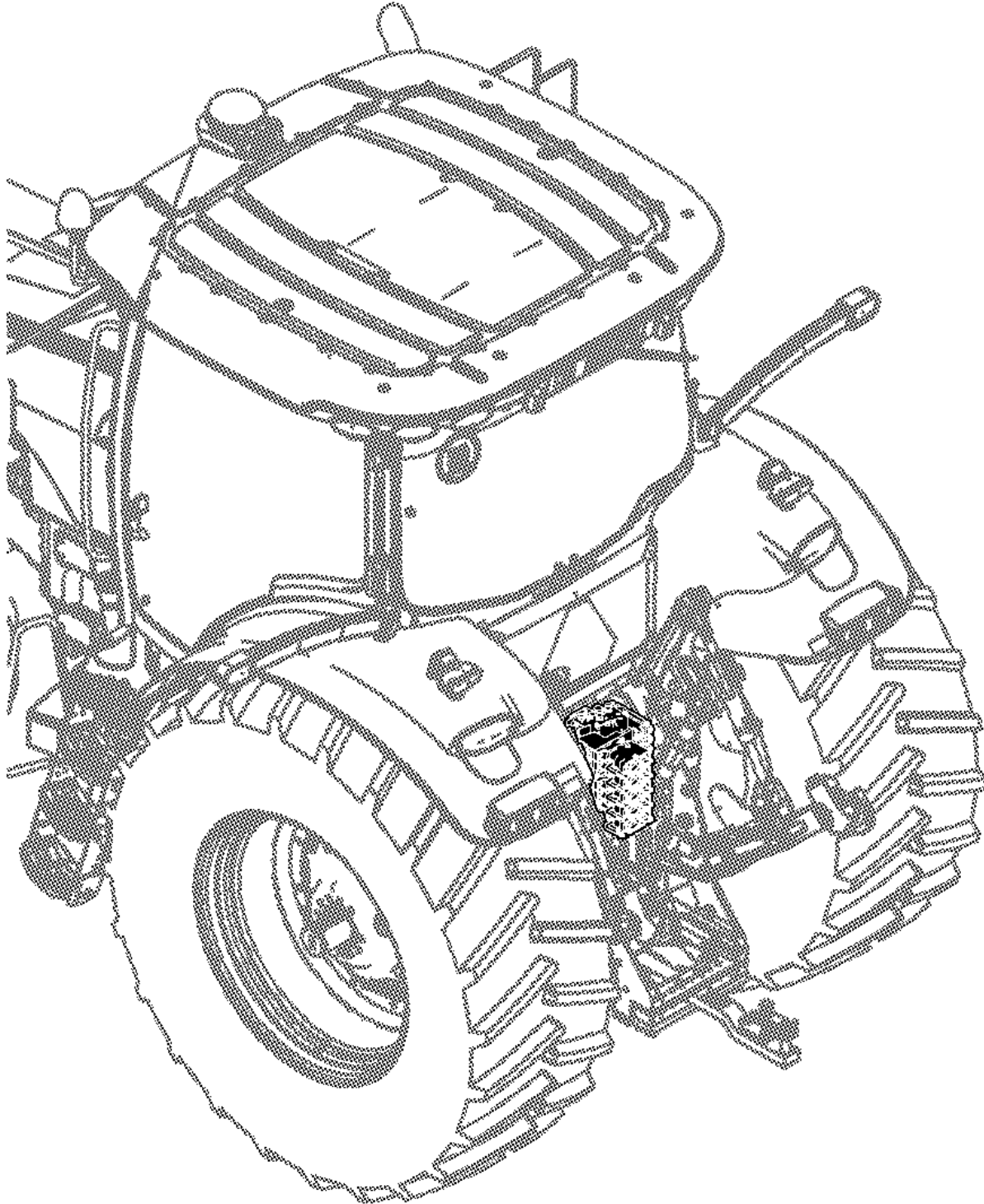


RXA0103792

Primary Pictorial Index  
Index d'illustrations principal  
Hauptbildindex  
Indice principale illustrato  
Índice primario de ilustraciones  
Huvudbildregister

RXA0103800 A.1

71

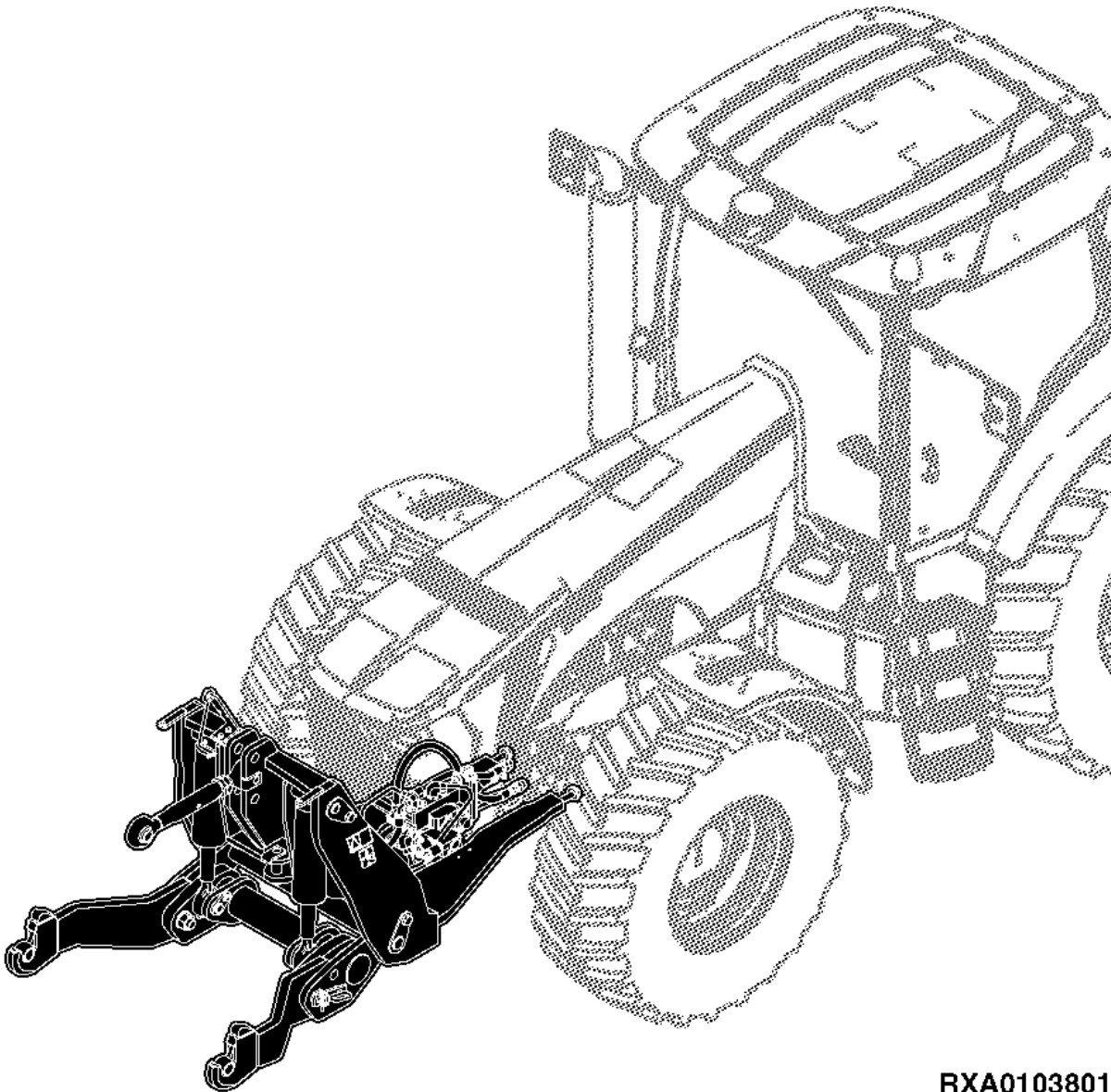


RXA0103800

Primary Pictorial Index  
Index d'illustrations principal  
Hauptbildindex  
Indice principale illustrato  
Índice primario de ilustraciones  
Huvudbildregister

RXA0103801 A.1

72

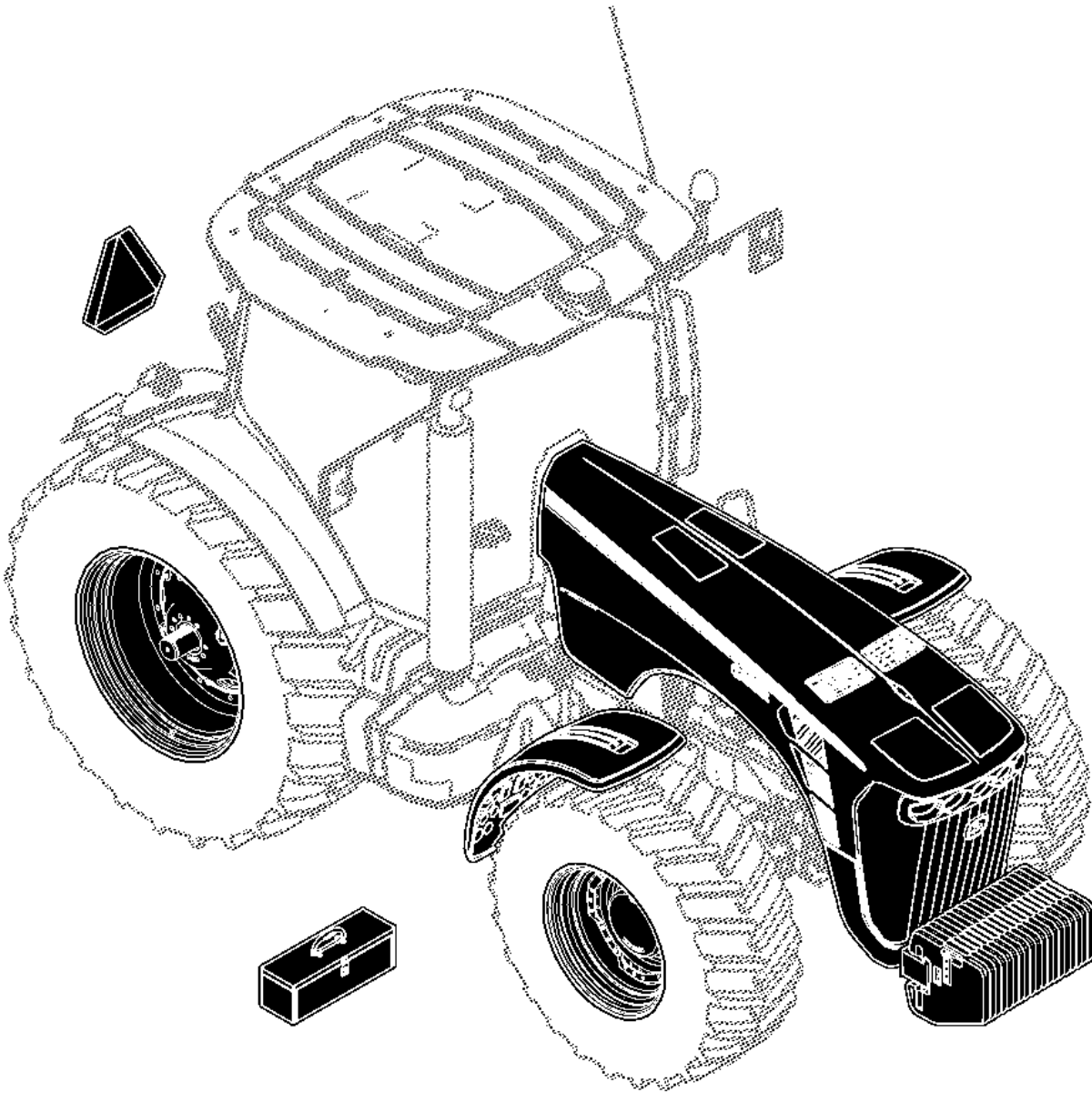


RXA0103801

Primary Pictorial Index  
Index d'illustrations principal  
Hauptbildindex  
Indice principale illustrato  
Índice primario de ilustraciones  
Huvudbildregister

RXA0103802 A.1

80

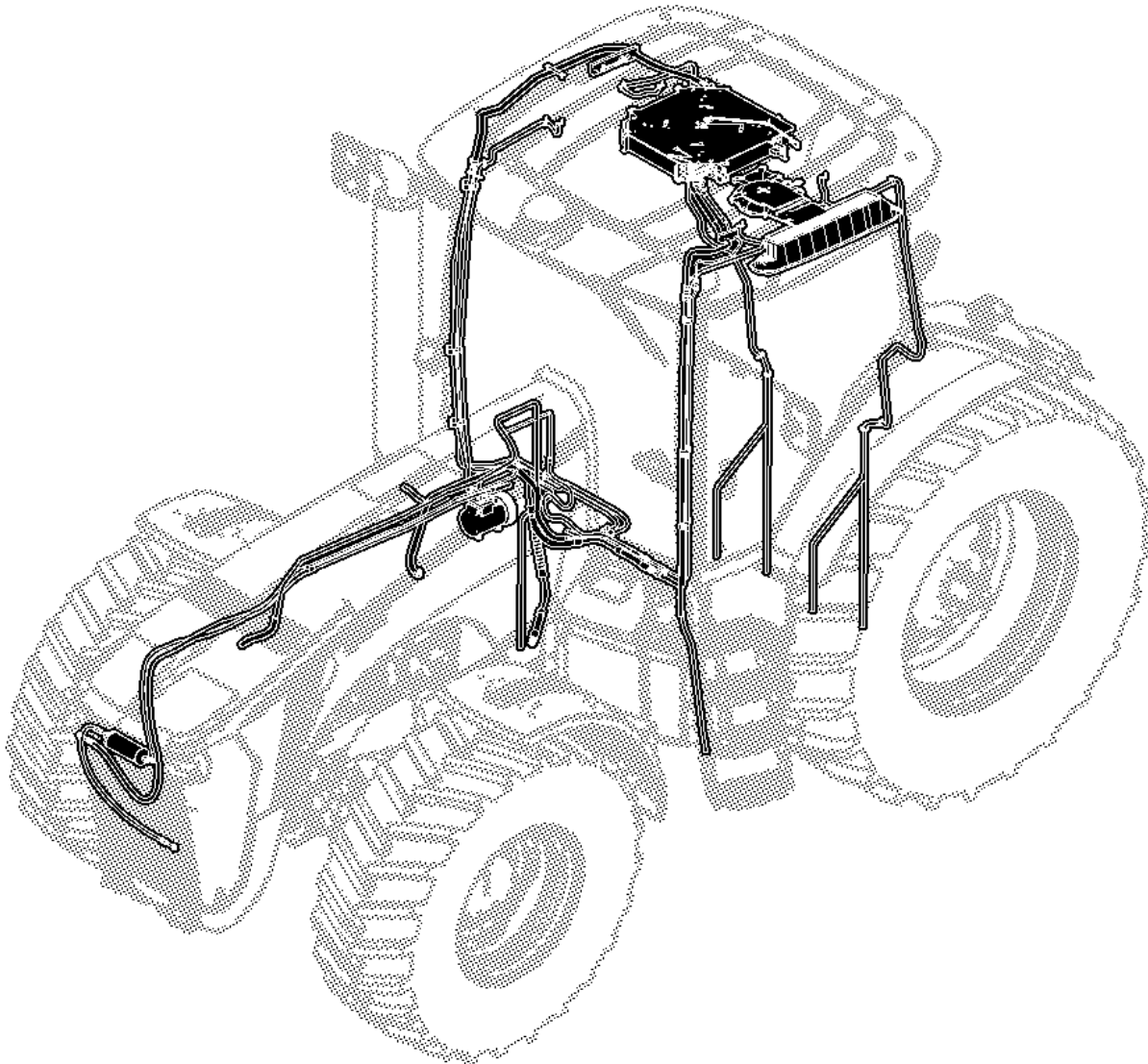


RXA0103802

Primary Pictorial Index  
Index d'illustrations principal  
Hauptbildindex  
Indice principale illustrato  
Índice primario de ilustraciones  
Huvudbildregister

RXA0103803 A.1

90

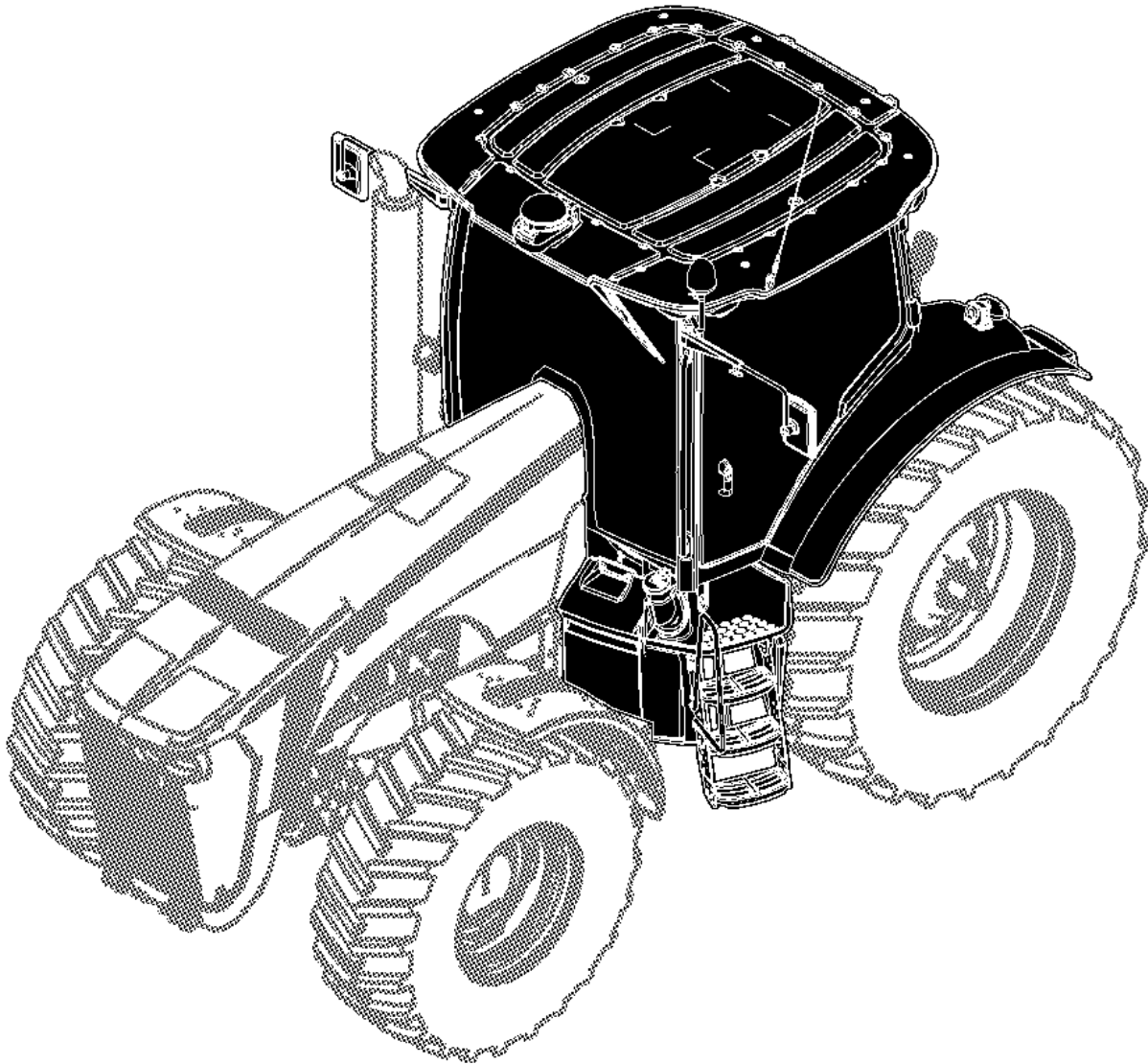


RXA0103803

Primary Pictorial Index  
Index d'illustrations principal  
Hauptbildindex  
Indice principale illustrato  
Índice primario de ilustraciones  
Huvudbildregister

RXA0103804 A.1

91

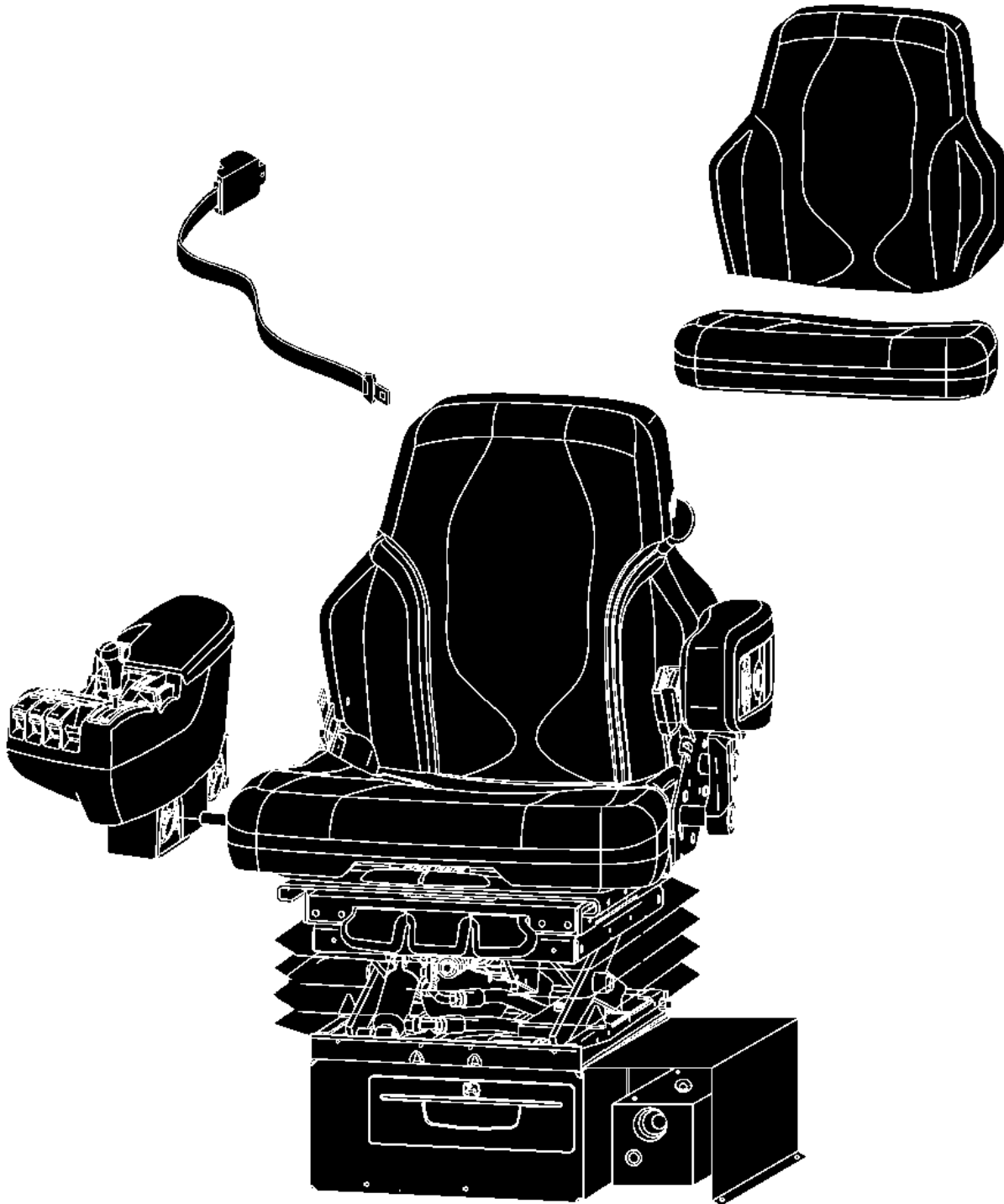


RXA0103804

Primary Pictorial Index  
Index d'illustrations principal  
Hauptbildindex  
Indice principale illustrato  
Índice primario de ilustraciones  
Huvudbildregister

RXA0103805 A.1

92



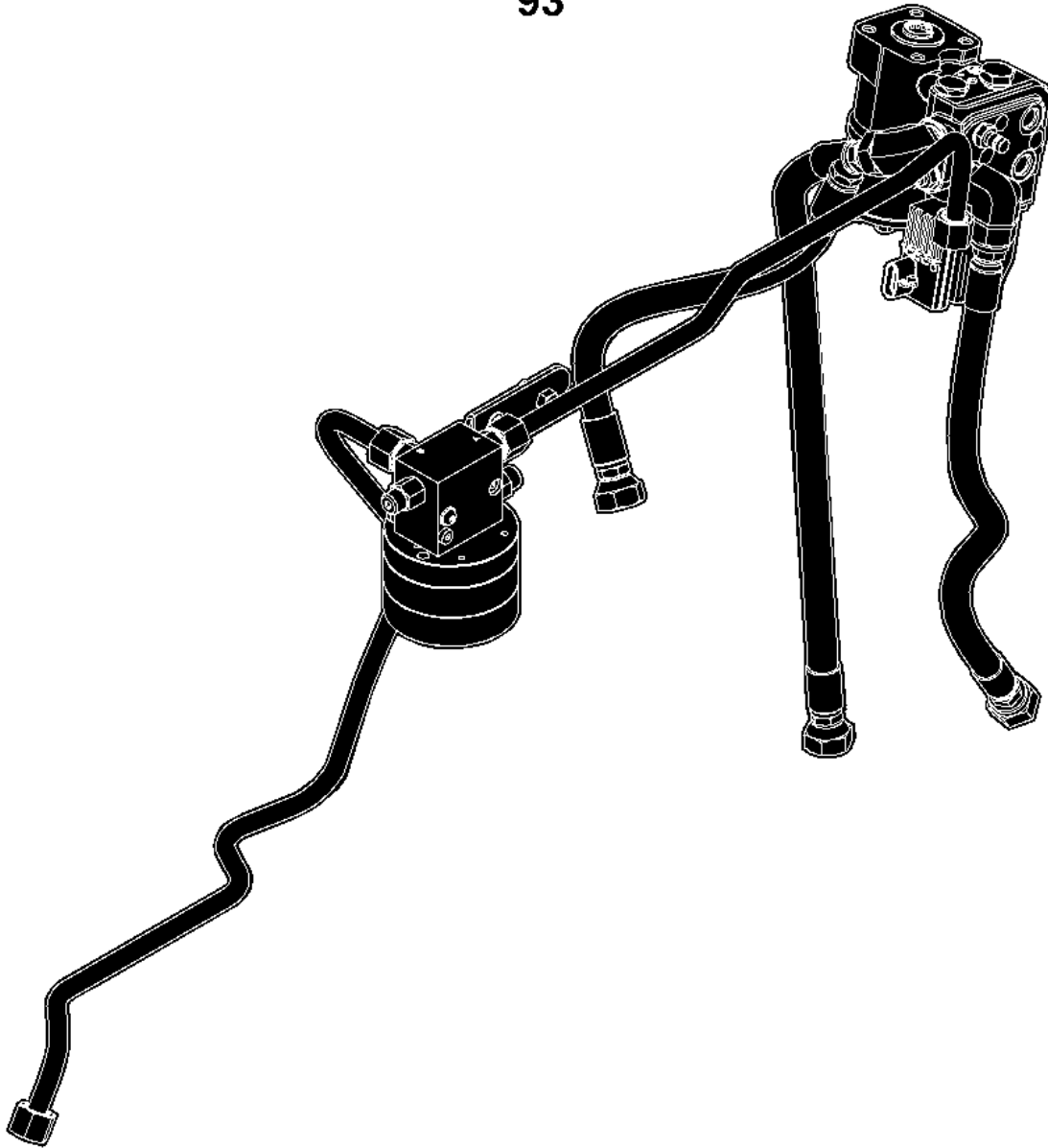
RXA0103805



Primary Pictorial Index  
Index d'illustrations principal  
Hauptbildindex  
Indice principale illustrato  
Índice primario de ilustraciones  
Huvudbildregister

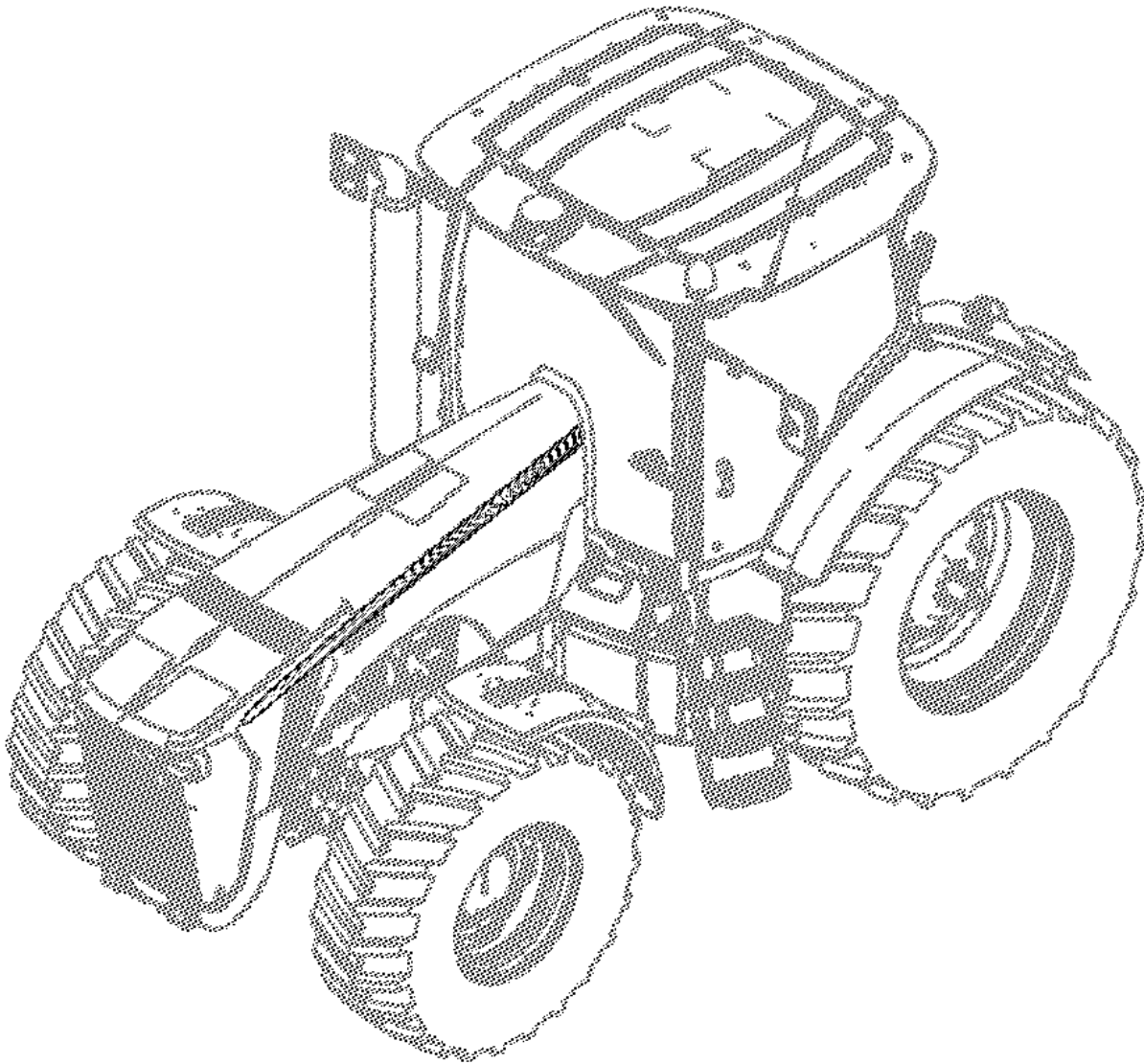
RXA0081843 A.1

93



RXA0081843

94



RXA0103806

## John Deere 8320R Tractor

### Remarks and Abbreviations

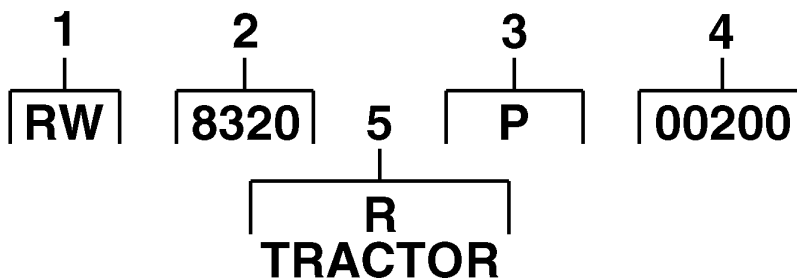
The following remarks and abbreviations may appear throughout this parts catalog. Refer to the following table for translations.

Phrase	Meaning	Phrase	Meaning
ALSO ORDER, ORD W/	Also Order	MFWD	Mechanical Front Wheel Drive
AMP	Ampere	NA, NOT USED THIS APPL	Not used in this application
APPL, APPL ONLY	This application only	NLA	No longer available
AR	As required	NSEP	Not available separately
ASSY	Complete assembly	OD	Outside diameter
BOAC	Bolt-on cutting edge	OPTIONAL	Optional
CCW	Counterclockwise	OR	Or
COMPLETE	Complete	ORD, ORDER	Order
COMPLETE GOODS	Complete goods	OS	Oversize
CONVENIENCE ASSY, CA	Convenience assembly	OUTER	Outer
CTL, CUT TO LENGTH	Cut to length	PKG, PACKG	Package, Packet of
CW	Clockwise	PTO	Power Take Off
ENGINE	Engine	RATIO	Ratio
FOR	For	REAR	Rear
FRONT	Front	REMAN	Remanufactured
GAS	Gasoline	REPL	Replaces
HFWD	Hydraulic Front-Wheel Drive	RH	Right-hand
HP	Horsepower	SN	Serial number
HS, HEAD MARKED	High Strength, head marked	STD	Standard
ID	Inside diameter	SUB	Replaced by
INCH	Inch	SUB COMPONENTS	Substitute components (of the kit or assy)
INCL KEYS	Includes keys...	SUB FOR	Substitutes for
INCL, INCLUDES	Includes...	TEETH, Z	Number of gear teeth
INCLUDES PARTS/ ITEMS MARKED	Includes parts/items marked...	TK	Thickness
INNER	Inner	UP, UPPER	Upper
KIT	Kit	US	Undersize
L	Number of links	USE UNTIL EXHAUSTED	Use until exhausted
LF, LINE FILL	Line Fill	USE WITH	Use with
LGP	Low Ground Pressure	VEC	Vehicle Electronic Controller
LGTH	Length	VLC	Vehicle Load Center
LH	Left-hand	W/	With
LOW, LOWER	Lower	W/O	Without
LT	Long Track	WHOLE GOODS	Whole Goods
MAKE FROM, MF	Make from	WT	Wide Track
MARKED	Marked	XLT	Extra Long Track
MATCHED SET	Matched set		

### Basic Tractor Serial Number — 8320R

(Product Identification Number)

RXA0102882 A.1

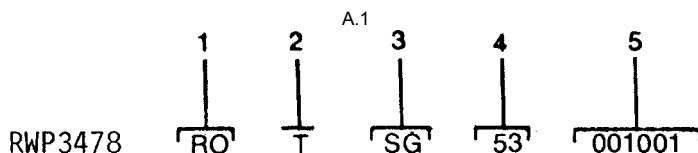


RXA0102882

- |                                     |                                 |
|-------------------------------------|---------------------------------|
| 1. Designates tractor manufacturer  | JZ- Manufacturing Unit (Russia) |
| 2. Designates tractor model         | 8320R                           |
| 3. Designates transmission type     | P - Power shift<br>D - IVT      |
| 4. Designates tractor serial number |                                 |
| 5. Designates unit type             | Tractor                         |

### Basic Tractor Serial Number Plate Location- 8320R Model

#### Transmission Serial Number



1. Designates Transmission Manufacturer	RO — John Deere Waterloo Works
2. Designates Type	T- Transmission
3. Designates Transmission type	PF- Power shift
4. Designates Input Torque (Rounded to nearest 10 Nm)	01-99 - 10-990 NM (7-730 LB-FT)
5. Designates Transmission Serial Number	

### Transmission Serial Number Plate Location

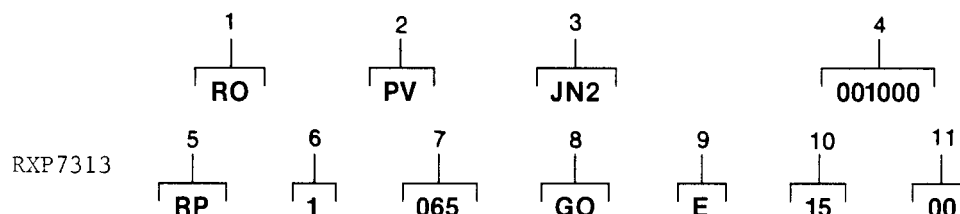
The transmission serial number stamping is located on the right-hand side of the transmission.

RXP020901 A.1



### Hydraulic Pump Serial Number

A.1



1. Designates Manufacturing Factory	RO — John Deere Waterloo Works
2. Designates component	PV- Pump Variable
3. Designates Model Number	JN2- 65CM3 (4 in 3)
4. Designates Component Numeric Number	
5. Designates Type Component	RP- Radial Piston Pump
6. Designates Family	1- frame size
7. Designates Size	65 - 65 CM3
8. Designates Port arrangement	GO- Primary Housing
9. Designates Shaft Rotation	E- Either
	R- Right
	L- Left
10. Designates stroke control valve type	15- Stroke control valve code
11. No significance	00- No Significance

### Hydraulic Pump Serial Number Plate Location

The transmission serial number stamping is located on the right-hand side of the transmission.

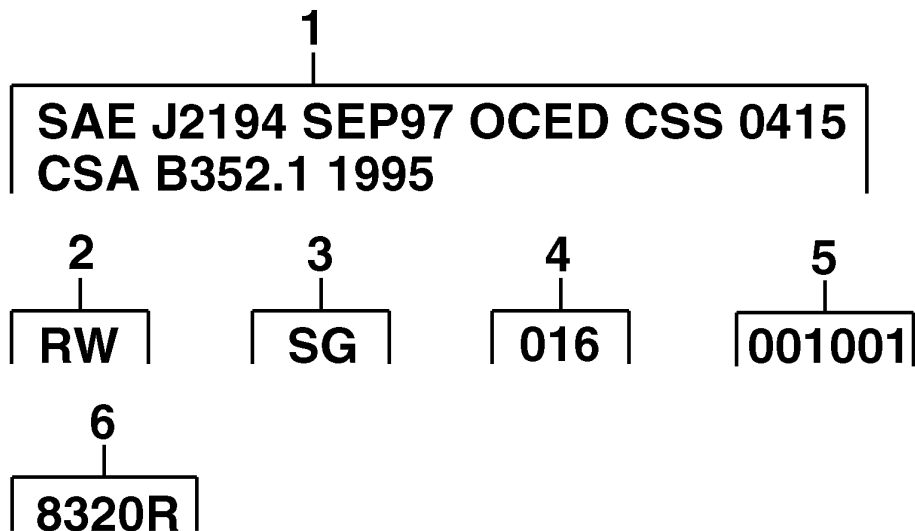
RXA0081329 A.1



**RXA0081329**

## Comfort View cab Serial Number- 8320R

RXA0102888 A.1



RXA0102888

1. Designates Certification	Certification Data
2. Designates Cab Manufacturer	RW- John Deere Waterloo Works
3. Designates Types	SG- Comfort View cab
4. Designates Version	016- Sixteenth
5. Designates Serial Number	
6. Designates model	8320R

## Comfort View Cab Serial Number Plate Location

## John Deere Mechanical Front Wheel Drive Serial Number

A.1



The serial number plate is located on the rear right hand side of the axle housing.

## Engine Serial Number Plate

RGP11387 A.1



RGP11387

Engine Serial Number is Defined by 13 Characters	
First Line	Designates
1 — Two letters for engine factory designation	RG: Waterloo, USA
2 — One digit for number of cylinders.	6 Cylinder
3 — Three digits for displacement in liters	090: nine liter
4 — One letter for aspiration type or emission level	D= Naturally Aspirated T= Turbocharged H= Turbocharged with air-to-air aftercooler A= Turbocharged with air-to-air aftercooler B= Non-Certified C= Tier1/Stage I emission level G= Tier 2/Stage II emission level L= Tier 3/Stage IIIA emission level R= Interim Tier 4/Stage IIIB emission level
5 — Six digits	123456= Engine build sequence number. Sequence numbers start at 000001
Engine Type is Defined by 9 Alpha-Numerical Characters	
6 — Four digits	Same as items 2 and 3 above
7 — One letter for aspiration type	Same as item 4 above
8 — One or two letters for user	F= OEM, FM=Marine
9 — Two or three digits for version	485

## Serial Number Codes

The following codes are used to designate the serial number types in group headings and footnotes because of limited space. They will be used only when the type is different than the serial column heading shown on the page.

RG	Roll-Gard
SGB	Sound-Gard Body
CSN	Cab Serial Number
ESN	Engine Serial Number
ASN	Axle Serial Number
PSN	Hydraulic Pump Serial Number
TSN	Tractor Serial Number
PQT	Powrquad Transmission Serial Number
PST	Power Shift Transmission Serial Number
QRT	Quadrangle Transmission Serial Number
SPT	Syncroplus Transmission Serial Number
SRT	Syncro-Range Transmission Serial Number
DSN	Differential Serial Number
IVT	Infinitely Variable Transmission Serial Number
ILS	Independent Link Suspension Serial Number

## Serial Number Listing Information

Serial number information is listed to show on which machines each part can be used; for example:

- **The part can be used on all products.**
- 000000** -       **The part can be used on products beginning with the serial number listed.**
- **000000**   **The part can be used on products up to and including the serial number listed.**
- 000000** - **000000**   **The part can be used on products between and including the serial number listed.**

When XXXXXX's are listed in place of a serial number, a serial number change was made, but the exact serial number was not available when the catalog was produced.

If product identification numbers or serial numbers are required for warranty claims or correspondence pertaining to this product, it is extremely important that all characters be furnished. This point cannot be overemphasized.

## Quantity Column Or Remarks Column

Generally the quantity shown is for the entire tractor at any given location. There are exceptions as in wheel hardware where only enough is shown for one wheel. The following abbreviations are used in the remarks column.

NLR	No Longer Required Na - Not Applicable
NLA	No Longer Available
FI	Field Installed

FI is an option that must be ordered direct from the producing factory.

## Direction Arrow

Arrows are used with illustrations to indicate the front of the unit. "Right-Hand" and "Left-Hand" sides are determined by facing in direction of machine forward travel.

## Box-enclosed Illustrations

A key number, shown in the parts list, is assigned to a box enclosing all parts sold as a service assembly. A box not keyed includes non-current parts.



## Illustrations

Illustrations in the catalogue do not necessarily represent the up-to-date view of the items shown, but are solely intended as a guideline for dealers and customers. A revised version of the illustration is not included until design and/or functional changes take place.

### Bolt and Cap Screw Strength Identification

Bolts and cap screws required to have high-strength qualities equivalent to SAE grade 8 are identified throughout this catalog by the description HS SAE 8 (10.9 for metric). All standard bolts and cap screws are SAE grade 5 (metric 8.8) or lower.

### John Deere Reman Components

The service parts listed in this catalog are intended for the repair of original equipment components. Although most service parts may be used to repair remanufactured components, the remanufacturing process may change parts sufficiently so that service parts are inadequate or not usable.

### Field Installation Kits

These parts kits must be ordered through normal parts channels or complete goods system. They are listed in bold print in the paper catalog, with the abbreviation "FI" in the remarks column. The catalog artwork does not always show all individual parts of a kit.

### SI Units of Measure

Metric dimensions are given, where applicable, throughout this parts catalog.

### Trademark

Throughout this parts catalog, you will find the following Deere And Company trademarks:

ActiveSeat™	AutoPowr™
AutoQuad™	AutoTrac™
ClimaTrak™	ComfortCommand™
CommandARM™	CommandCenter™
CommandView™	FieldCruise™
GreenStar™	iTEC™
IVT™	JDLink™
Mega Track™	Parallel Tracking™
PermaClutch 2™	Power Zero™
PowrQuad™	QuikTach™
Service ADVISOR™	StarFire™
StellarSupport™	TLS™ (Triple-Link Suspension)
Vari-Cool™	

---

**Table of Contents**

20 Engine 6090HRW48.....	53
21 Engine 6090HRW50 and 6090HRW56 .....	135
22 Engine 6090HRW52 and 6090HRW56 .....	217
23 Engine 6090HRW54 and 6090HRW56 .....	299
25 Engine 6090HRW76 and 6090HRW86 .....	381
26 Engine 6090HRW77 and 6090HRW86 .....	437
27 Engine 6090HRW78 and 6090HRW86 .....	493
28 Engine 6090HRW79 and 6090HRW86 .....	549
030 FAN AND RADIATOR.....	605
035 AIR AND FUEL TANK .....	623
040 ELECTRICAL CONNECTORS.....	645
041 ENGINE AND CHASSIS WIRING HARNESS.....	661
042 OPERATOR'S STATION ELECTRICAL .....	725
043 ALTERNATOR, BATTERY AND BATTERY CABLE .....	809
044 LIGHTS.....	815
051 POWER SHIFT TRANSMISSION .....	837
052 INFINITELY VARIABLE TRANSMISSION.....	883
053 DIFFERENTIAL AND REAR PTO .....	923
055 1500 MFWD .....	945
056 JOHN DEERE INDEPENDENT LINK SUSPENSION .....	977
060 STEERING AND BRAKES .....	1039
070 HYDRAULICS .....	1105
071 SELECTIVE CONTROL VALVE .....	1221
072 FRONT HITCH .....	1241
080 WHEELS, FRONT AXLE AND SHEET METAL .....	1249
090 OPERATOR'S STATION ACCESSORIES .....	1301
091 OPERATOR'S STATION .....	1321
092 SEAT .....	1385
093 AUTOTRAC.....	1403
094 DECALS .....	1417

## Alphabetical Index

	Page		Page
A			
ACCELEROMETER, SEAT SUSPENSION .....	1396	AUXILIARY DRIVE HUB (IVT) .....	894
ACCUMULATOR .....	1033	AUXILIARY DRIVE PULLEY (IVT) .....	894
ACCUMULATORS (ILS) .....	1030	AUXILIARY DRIVE SHIELDS .....	620
ACCUMULATORS, INDEPENDENT LINK SUSPENSION .....	1033	AUXILIARY DRIVE SUPPORT .....	620
ACCUMULATOR, CONTROL VALVE ASSEMBLY (ACTIVE SEAT SUSPENSION) .....	1400	Auxiliary Power, Strip .....	754
ACOUSTICAL UPHOLSTERY .....	738, 1350, 1352	AUXILIARY RESERVOIR, SEAT SUSPENSION .....	1396
ACTIVE SEAT CONTROL VALVE ASSEMBLY .....	1400	AXLE FRONT, FRONT PIVOT SUPPORT (1500 MFWD) .....	966
ACTIVE SEAT SUSPENSION .....	1396	AXLE HOUSING W/CASE (L.H.) (1500 MFWD) .....	952
ACTUATOR, ELECTRIC .....	760	AXLE HOUSING (L.H.) .....	952
ACTUATOR, SEAT SUSPENSION .....	1396	AXLE HOUSING (R.H.) .....	954
ADAPTER, BLOWER MOTOR .....	1310	AXLE HOUSING (R.H.) (1500 MFWD) .....	954
Adapter, Oil Filter .....	422, 478, 534, 590	AXLE HOUSING (120MM) .....	934
ADHESIVE .....	1299	AXLE SHAFT (120MM) .....	934
AFTERCOOLER .....	608	A/C DRYER .....	1306
AIR BRAKE AIR COMPRESSOR .....	1094	A/C LINES .....	1306, 1318
AIR BRAKE AIR COMPRESSOR GASKET KIT .....	1096	B	
AIR BRAKE AIR TANK .....	1086	BACK-UP ALARM BRACKET .....	713
AIR BRAKE BELT .....	1094	BACK-UP ALARM KIT .....	713
AIR BRAKE BELT TENSIONER .....	1094	BACK-UP ALARM WIRING HARNESS .....	713
AIR BRAKE CONTROL VALVE .....	1082	BALLAST, HEADLIGHT .....	824
AIR BRAKE CONTROL VALVE BRACKET .....	1084	BALLAST, HEADLIGHT (EUROPEAN VERSION) .....	825
AIR BRAKE COUPLERS (EUROPEAN VERSION) .....	1090	BALL STUD ASSEMBLY (ILS) .....	1012, 1014
AIR BRAKE COUPLERS (NORTH AMERICAN VERSION) .....	1088	BALL STUD BOOT (ILS) .....	1012, 1014
AIR BRAKE COUPLER LINES (EUROPEAN VERSION) .....	1090	BATTERY .....	811
AIR BRAKE COUPLER LINES (NORTH AMERICAN VERSION) .....	1088	BATTERY AND COVER .....	811
AIR BRAKE LINES (FRONT) .....	1098	BATTERY BOX COVER .....	811
AIR BRAKE LINE (REAR) .....	1100	BATTERY CABLES .....	813
AIR BRAKE OPTION BRACKET .....	672	BATTERY CABLE TAG .....	1424
AIR BRAKE PRESSURE CONTROL VALVE .....	1086	BATTERY CABLE TAG (FRENCH) .....	1430
AIR CLEANER ELEMENT, ENGINE .....	626	BATTERY CABLE TAG (SPANISH) .....	1426
AIR CLEANER HOUSING ENGINE .....	626	BATTERY CABLE, NEGATIVE .....	813
AIR COMPRESSOR GASKET KIT (AIR BRAKE) .....	1096	BATTERY CABLE, POSITIVE .....	750, 813
AIR COMPRESSOR GASKIT KIT (AIR BRAKE) .....	1096	BATTERY CLAMP BRACKET .....	811
Air Compressor Kit .....	123, 205, 287, 369	BATTERY DISCONNECT KIT .....	812
Air Compressor Mounting Plug .....	430, 486, 542, 598	BATTERY GROUND CABLE, CAB AND CHASSIS .....	791
AIR COMPRESSOR (AIR SEAT) .....	1392	Bearings, Connecting Rod .....	82, 164, 246, 328, 410, 466, 522, 578
AIR CONDITIONING AND HEATER LINES .....	1318	Bearing Kit, Connecting Rod .....	107, 189, 271, 353
AIR CONDITIONING COMPRESSOR .....	1302	BEARING QUILL, DIFFERENTIAL .....	932
AIR FILTER RESTRICTION SENSOR .....	674	BEARING SUPPORT HOUSING (IVT) (FRONT) .....	890
AIR FILTER, CAB RECIRCULATING .....	1312	BELT, AIR BRAKE .....	1094
AIR FILTER, CAB RECIRCULATING (W/ ATC) .....	1314	BELT, AUXILIARY DRIVE .....	620
Air Inlet .....	77, 159, 241, 323, 405, 461, 517, 573	BELT, COMPRESSOR .....	620
Air Intake .....	77, 159, 241, 323, 405, 461, 517, 573	BELT, FAN DRIVE .....	612
AIR INTAKE PIPES .....	628	BEVEL GEAR, DIFFERENTIAL (ILS) .....	996
AIR LOUVER AND PANELS .....	1282	BEVEL GEAR, DIFFERENTIAL (1500 MFWD) .....	960
Air Pressure Sensor .....	64, 146, 228, 310	BEVEL PINION SHAFT, DIFFERENTIAL .....	932
AIR SEAT SHOCK OBSORBER .....	1392	BEVEL PINION SHAFT, DIFFERENTIAL (ILS) .....	996
AIR SEAT SUSPENSION .....	1392	BEVEL PINION SHAFT, DIFFERENTIAL (1500 MFWD) .....	960
AIR SPRING SEAT KIT .....	1402	BEVEL PINION, DIFFERENTIAL (ILS) .....	996
AIR TANK, AIR BRAKE .....	1086	BEVEL PINION, DIFFERENTIAL (1500 MFWD) .....	960
Air Temperature Sensor .....	64, 77, 146, 159, 228, 241, 310, 323, 405, 461, 517, 573	Bezel .....	755
ALTERNATOR .....	810	BEZEL .....	754
Antenna Cable .....	787	BEZELS, HEADLAMP .....	1288
ANTENNA, RADIO (DELUXE) .....	784	BEZEL, INTERIOR LIGHT .....	1346
ARM .....	744, 746	BEZEL, INTERIOR LIGHT (PREMIUM SOUND SYSTEM HEADLINER) .....	1382
ARMRESTS .....	1398	BEZEL, UPPER CONSOLE .....	760
ARMREST CONTROLLER .....	792	Bleed Valve .....	72, 154, 236, 318, 400, 456, 512, 568
ARMREST CONTROLLER UNIT .....	792	Block, Cylinder .....	78, 160, 242, 324, 406, 462, 518, 574
ARMREST ELECTRICAL COMPONENTS .....	748	Block, Short .....	132, 214, 296, 378
ARMREST KIT .....	1398	BLOWER MOTOR .....	1310
ARM, CLUTCH VALVE (PST) .....	852	BLOWER MOTOR HOUSING .....	1310
ARM, EXTREMITY WARNING LAMP .....	830	BLOWER MOTOR, ADAPTER .....	1310
ARM, EXTREMITY WARNING LAMP, CIS .....	832	BLOWER SWITCH CONNECTOR .....	655
ARM, LOWER CONTROL (ILS) .....	1014	Blower / Pressurizer .....	1310
ARM, STEERING (1500 MFWD) .....	958	BLOWER, PRESSURIZER .....	1310
ARM, UPPER CONTROL (ILS) .....	1012	Boot .....	775
ASPIRATOR DRIVE PULLEY .....	620	BOOT ATTACHING HARDWARE (AIR SEAT) .....	1392
ASPIRATOR DRIVE SHAFT .....	620	BOOT, BALL STUD (ILS) .....	1012, 1014
ASPIRATOR IMPELLER .....	620	BOOT, BRAKE VALVE .....	1060
ASPIRATOR INTAKE FLANGE .....	620	BOOT, REAR FENDER WORK LIGHT .....	828
ASPIRATOR INTAKE TUBE .....	620	BRACKET .....	734, 744, 1053, 1351
ATTENUATOR, BRAKE VALVE .....	1074	BRACKETS, ADJ. FRONT ROOF WORKLAMP .....	821
AUTOMATIC TEMPERATURE CONTROL .....	760	BRACKET, AIR BRAKE AIR TANK .....	1086
AUTOTRAC WIRING HARNESS .....	1414	BRACKET, AIR BRAKE CONTROL VALVE .....	1084
AUTOTRAC (ILS) WIRING HARNESS .....	1058	BRACKET, AIR BRAKE OPTION .....	672
AUTOTRAC (1500 MFWD) WIRING HARNESS .....	1056	BRACKET, A/C LINES .....	1306
AUXILIARY DRIVE AND SHIELDS .....	620	BRACKET, A-POST, MIDDLE .....	1378
AUXILIARY DRIVE BELT .....	620	BRACKET, BACK-UP ALARM .....	713

## Alphabetical Index - Continued

	Page		Page
BRACKET, BATTERY CLAMP .....	811	CAB AND CHASSIS BATTERY GROUND CABLE .....	791
BRACKET, BRAKE VALVE .....	1060	CAB AND CHASSIS GROUND CABLE .....	791
BRACKET, CENTER LINK (NORTH AMERICAN VERSION) .....	1162	CAB CONTROLLER .....	794
BRACKET, COLD WEATHER START .....	714	CAB CONTROL UNIT (CAB) .....	794
BRACKET, COOLANT RECOVERY TANK .....	611	CAB MOUNTS .....	1328
BRACKET, DIRECTION INDICATOR (CAB) (EUROPEAN VERSION) .....	819	CAB POWER CABLE .....	750
Bracket, engine speed control .....	782	CAB RECIRCULATING FILTER .....	1312, 1314
BRACKET, EXTREMITY WARNING LAMP .....	830	CAB ROOF WORK LAMPS .....	820
BRACKET, EXTREMITY WARNING LAMP, CIS .....	832	CAB SWITCH MODULE .....	743
BRACKET, FENDER (ILS) .....	1036	CAB WIRING HARNESS .....	730, 732, 770
BRACKET, FIRE EXTINGUISHER .....	1298	CAB WIRING HARNESS CONNECTORS .....	764, 766, 770
BRACKET, GPS RECEIVER .....	1362	CAB WIRING HARNESS (IVT) .....	776
BRACKET, GPS RECEIVER, GREENSTAR .....	722	CAB WIRING HARNESS (PST) .....	778
BRACKET, HITCH CONTROL SWITCH (REAR HITCH) (EXTERNAL) .....	793	CAB WORK LAMPS .....	820
BRACKET, HYDRAULIC TRAILER BRAKE VALVE .....	1080	Camshaft .....	78, 160, 242, 324, 406, 462, 518, 574
BRACKET, LOAD CENTER .....	768	Cam Follower .....	78, 160, 242, 324, 406, 462, 518, 574
BRACKET, MIRROR .....	1378	CAN TERMINATING DEVICE .....	672
BRACKET, REAR FENDER WORK LIGHT .....	828	CAP, FUEL .....	638
BRACKET, ROCKSHAFT POSITION SENSOR .....	1142	CAP, FUEL TANK .....	638
BRACKET, ROOF SIDE WORK LAMP (CAB) .....	835	CAP, OIL FILL TUBE (HITCH FRAME) .....	1132
BRACKET, ROTARY BEACON LIGHT .....	826	CAP, POSITIVE TERMINAL .....	813
BRACKET, STEERING CYLINDER LINE (1500 MFWD) .....	972	CARRIER DRIVE GEAR (IVT) .....	900
BRACKET, TOOLBOX .....	1280	CARRIER, PLANET PINION (ILS) .....	1010
BRACKET, VALVE (AUTOTRAC) .....	1416	CARRIER, PLANET PINION (IVT) .....	910, 912, 914
BRACKET, WAGON HITCH .....	1192	CARRIER, PLANET PINION (120MM) .....	934
BRACKET, WORK LAMP (UPPER MID-BODY) .....	818	CARRIER, PLANET PINION (1500 MFWD) .....	956
BRAKE AND STEERING OIL LINES .....	1078	CARTRIDGES, CONTROL VALVE MANIFOLD (ILS) .....	1028
BRAKE COOLING VALVE LINES (50K/IVT/ILS) .....	1126	CARTRIDGES, MANIFOLD (ILS) (50K) .....	1022
BRAKE COOLING VALVE (50K/IVT/ILS) .....	1122	CARTRIDGES, MANIFOLD (ILS)(40K) .....	1020
BRAKE COOLING VALVE/HYD PUMP LINES (50K/IVT/ILS) .....	1126	CASE, DIFFERENTIAL (ILS) .....	988
BRAKE COVERS KIT .....	1060	CASE, DIFFERENTIAL(REAR) .....	930
BRAKE DISK, PARK (PST) .....	858	CASE, TRANSMISSION (ILS) .....	982
BRAKE DISK, REVERSE (PST) .....	860	CASE, TRANSMISSION (PST) .....	876
BRAKE LIGHT WIRING HARNESS .....	808	CAST AND HEAVY CAST REAR WHEEL WEIGHTS .....	1275
BRAKE MAKE-UP CHECK VALVE KIT .....	1068	CAST REAR WHEELS (HEAVY DUTY) .....	1266
BRAKE OIL LINES (FRONT) (ILS/IVT/50K) .....	998	CAST REAR WHEELS (NAV) .....	1264
BRAKE OIL LINES (FRONT) (IVT/50K) .....	998	CAST REAR WHEELS (NORTH AMERICAN VERSION) .....	1264
BRAKE PEDALS .....	1070	CAST REAR WHEELS, HUB (HEAVY DUTY) .....	1266
BRAKE PEDAL, SWITCH (PST) .....	1070	CENTER LINK (NORTH AMERICAN VERSION) .....	1162
BRAKE PISTON, PARK (PST) .....	858	CHAIN, IMPLEMENT SAFETY .....	1190
BRAKE PISTON, PTO .....	926	CHASSIS WIRING HARNESS CONNECTORS CONT. (2/3) (ILS) .....	684
BRAKE PISTON, REVERSE (PST) .....	860	CHASSIS WIRING HARNESS CONNECTORS CONT. (2/3) (ILS) (NON-CERTIFIED) .....	702
BRAKE VALVE .....	1062	CHASSIS WIRING HARNESS CONNECTORS CONT. (2/3) (ILS)(NON-CERTIFIED) .....	702
BRAKE VALVE ATTENUATOR .....	1074	CHASSIS WIRING HARNESS CONNECTORS CONT. (2/3) (ILS)(50K)(NON-CERTIFIED) .....	708
BRAKE VALVE ATTENUATOR LINES .....	1074	CHASSIS WIRING HARNESS CONNECTORS CONT. (2/3) (MFWD) .....	678
BRAKE VALVE BRACKET .....	1060	CHASSIS WIRING HARNESS CONNECTORS CONT. (2/3) (MFWD) (NON-CERTIFIED) .....	696
BRAKE VALVE HARDWARE KIT .....	1066	CHASSIS WIRING HARNESS CONNECTORS CONT. (2/3) (MFWD)(NON-CERTIFIED) .....	696
BRAKE VALVE KIT, SINGLE LINE .....	1092	CHASSIS WIRING HARNESS CONNECTORS CONT. (2/3)(ILS)(IVT)(50K) .....	690
BRAKE VALVE LINES .....	1076	CHASSIS WIRING HARNESS CONNECTORS CONT. (2/3)(ILS)(50K)(NON-CERTIFIED) .....	708
BRAKE VALVE OVERHAUL KIT .....	1064, 1072	CHASSIS WIRING HARNESS CONNECTORS CONT. (3/3) (ILS) .....	686
BRAKE VALVE PRESSURE LINE W/O ATTENUATOR .....	1074	CHASSIS WIRING HARNESS CONNECTORS CONT. (3/3) (ILS) (NON-CERTIFIED) .....	704, 710
BRAKE/STEERING OIL LINES .....	1078	CHASSIS WIRING HARNESS CONNECTORS CONT. (3/3) (ILS)(NON-CERTIFIED) .....	704
BREAKAWAY COUPLER ( 4TH & 5TH SCV ) .....	1226	CHASSIS WIRING HARNESS CONNECTORS CONT. (3/3) (MFWD) .....	680
BREATHER, FUEL TANK .....	638	CHASSIS WIRING HARNESS CONNECTORS CONT. (3/3) (MFWD) (NON-CERTIFIED) .....	698
BULB, CAB WORKLAMP (UPPER MID-BODY) .....	818	CHASSIS WIRING HARNESS CONNECTORS CONT. (3/3) (MFWD)(NON-CERTIFIED) .....	698
BULB, DIRECTION INDICATOR LAMP (EUROPEAN VERSION) .....	819	CHASSIS WIRING HARNESS CONNECTORS CONT. (3/3)(ILS)(IVT)(50K) .....	692
BULB, EXTREMITY WARNING LAMP .....	830	CHASSIS WIRING HARNESS CONNECTORS CONT. (3/3)(ILS)(50K)(NON-CERTIFIED) .....	710
BULB, EXTREMITY WARNING LAMP, CIS .....	832	CHASSIS WIRING HARNESS CONNECTORS (1/3) (ILS) .....	682
BULB, HOOD DELUXE HEADLIGHT .....	824	CHASSIS WIRING HARNESS CONNECTORS (1/3) (ILS) (NON-CERTIFIED) .....	700
BULB, HOOD DELUXE HEADLIGHT (EUROPEAN VERSION) .....	825	CHASSIS WIRING HARNESS CONNECTORS (1/3) (ILS)(IVT)(50K) .....	688
BULB, REAR FENDER WORK LIGHT .....	828	CHASSIS WIRING HARNESS CONNECTORS (1/3) (ILS)(50K)(NON-CERTIFIED) .....	706
BULB, ROOF SIDE WORK LAMP .....	835	CHASSIS WIRING HARNESS CONNECTORS (1/3) (MFWD) .....	676
BULB, ROTARY BEACON LIGHT .....	826	CHASSIS WIRING HARNESS CONNECTORS (1/3) (MFWD) (NON-CERTIFIED) .....	694
BULB, TAIL/STOP .....	834		
BULB, TURN SIGNAL/HAZARD WARNING .....	834		
BUMPER .....	1352		
BUMPER, DRAFT LINK .....	1158		
BUMPER, DRAFT LINK (HEAVY DUTY KIT) .....	1157		
BUSHING, HITCH FRAME .....	1152		
BUSINESS BAND RADIO .....	788		
C			
CABLE, CAB AND CHASSIS GROUND .....	791		
CABLE, CAB POWER .....	750		
CABLE, CLUTCH .....	918		
CABLE, CLUTCH (PST) .....	842		
CABLE, TEMPERATURE CONTROL .....	1312		
CABLE, TEMPERATURE CONTROL(ATC) .....	1314		
CABLE, WAGON HITCH .....	1208		

## Alphabetical Index - Continued

Page	Page		
CHASSIS WIRING HARNESS CONNECTORS (1/3) (MFWD)(NON-CERTIFIED).....	694	CONNECTOR, METRI-PACK.....	652
CHASSIS WIRING HARNESS CONNECTORS (1/3)(ILS).....	682	CONNECTOR, NINE-PIN IMPLEMENT FEEDBACK.....	716
CHASSIS WIRING HARNESS CONNECTORS (1/3)(ILS)(IVT)(50K).....	688	CONNECTOR, REAR WINDSHIELD WIPER.....	655
CHASSIS WIRING HARNESS CONNECTORS (1/3)(ILS)(NON-CERTIFIED).....	700	CONNECTOR, START SWITCH.....	655
CHASSIS WIRING HARNESS CONNECTORS (1/3)(ILS)(50K)(NON-CERTIFIED).....	706	CONNECTOR, WEATHERPACK.....	648
CHASSIS WIRING HARNESS CONNECTORS (2/3) (ILS)(IVT)(50K).....	690	CONSOLE.....	1352
CHASSIS WIRING HARNESS CONNECTORS (3/3) (ILS)(IVT)(50K).....	692	CONSOLE CONTROLS AND SWITCHES (ATC).....	760
CHASSIS WIRING HARNESS (HOOD) (EV).....	721	CONSOLE CONTROLS AND SWITCHES (MANUAL).....	758
CHASSIS WIRING HARNESS (HOOD) (NAV).....	720	CONSOLE CONTROLS (ATC).....	760
CHASSIS WIRING HARNESS, HOOD (EV).....	721	CONSOLE CONTROLS (MANUAL).....	758
CHASSIS WIRING HARNESS, HOOD (NAV).....	720	CONSOLE, STORAGE.....	1352
CHECK VALVE KIT, BRAKE MAKE-UP.....	1068	CONTROL.....	736
CHECK VALVE, CONTROL VALVE (ACTIVE SEAT).....	1400	CONTROLLERS.....	794
CHOCK BLOCK HOLDER (CAT 3/4 EUROPEAN VERSION).....	1300	CONTROLLER, ARMREST.....	792
CHOCK BLOCK HOLDER (EUROPEAN VERSION).....	1300	CONTROLLER, CAB.....	794
CLAMP.....	740	CONTROLLER, ENGINE.....	794
CLAMP, HEATER HOSE.....	1308	CONTROLLER, VEHICLE.....	794
CLEVIS, DRAWBAR.....	1184	CONTROLS, WAGON HITCH.....	1208
CLEVIS, DRAWBAR (TYPE 2 PTO).....	1186	CONTROL ARM, LOWER (ILS).....	1014
CLEVIS, DRAWBAR (TYPE 3 PTO).....	1188	CONTROL ARM, UPPER (ILS).....	1012
CLEVIS, DRAWBAR(NORTH AMERICAN VERSION).....	1180	CONTROL LEVER.....	744, 746
CLEVIS, DRAWBAR(NORTH AMERICAN VERSION) (CATEGORY IV).....	1182	CONTROL LEVER (4TH/5TH SCV).....	1236
CLIP.....	740	CONTROL LEVER, SINGLE.....	757
CLOTH CUSHION.....	1394	CONTROL VALVE ACCUMULATOR (ACTIVE SEAT).....	1400
CLUTCH ASSEMBLY (IVT).....	904	CONTROL VALVE ASSEMBLY.....	1400
CLUTCH CABLE.....	918	CONTROL VALVE ASSEMBLY MANIFOLD (ACTIVE SEAT SUSPENSION).....	1400
CLUTCH CABLE (PST).....	842	CONTROL VALVE BRACKET, AIR BRAKE.....	1084
CLUTCH COVER (MFWD)(PST).....	874	CONTROL VALVE MANIFOLD CARTRIDGES.....	1028
CLUTCH DISENGAGED SWITCH (PST).....	850	CONTROL VALVE MANIFOLD CARTRIDGES (ILS).....	1028
CLUTCH DRUM (ILS).....	986	CONTROL VALVE MANIFOLD PLUGS.....	1024
CLUTCH DRUM (MFWD)(PST).....	874	CONTROL VALVE MANIFOLD PLUGS (ILS).....	1024
CLUTCH DRUM, PTO.....	926	CONTROL VALVE MANIFOLD REAR O-RINGS (ILS).....	1027
CLUTCH HUB, PTO.....	926	CONTROL VALVE MANIFOLD (40K).....	1020
CLUTCH PEDAL.....	842, 918	CONTROL VALVE MANIFOLD (50K).....	1022
CLUTCH PEDAL (ELECTRIC).....	918	CONTROL VALVE MFWD,60/220 CM3.....	1054
CLUTCH PEDAL (PST).....	842	CONTROL VALVE OIL FILTER (ACTIVE SEAT SUSPENSION).....	1400
CLUTCH UNIT IDLER SHAFT.....	914	CONTROL VALVE, AIR BRAKE.....	1082
CLUTCH UNIT IDLER SHAFT (IVT).....	914	CONTROL VALVE, AIR BRAKE PRESSURE.....	1086
CLUTCH VALVE ARM (PST).....	852	CONTROL VALVE, SUSPENSION DAMPING (ILS).....	1026
CLUTCH VALVE KIT (PST).....	852	CONTROL, CLIMATE (ATC).....	760
CLUTCH (ILS).....	986	CONTROL, MOTOR SPEED.....	760
CLUTCH (MFWD)(PST).....	874	Convenience Outlet.....	752
CLUTCH, ELECTRIC.....	918	CONVENIENCE STEP.....	1284
CLUTCH, PTO.....	926	COOLANT HEATER, ENGINE (W/O HEATER).....	616
COIL, MANIFOLD SOLENOID VALVE (ILS) (50K).....	1022	COOLANT HEATER, ENGINE (120 V).....	617
COIL, MANIFOLD SOLENOID VALVE (ILS)(40K).....	1020	COOLANT RECOVERY TANK.....	611
COLD WEATHER STARTING AID.....	634	COOLANT RETURN LINE.....	1318
COLD WEATHER START BRACKET.....	714	COOLANT SUPPLY LINE.....	1318
COLD WEATHER START HEATER.....	714	Coolant Temperature Sensor.....	74, 156, 238, 320, 402, 458, 514, 570
COLD WEATHER START KIT.....	714	COOLER LINES, HYDRAULIC OIL.....	1136, 1138
COLD WEATHER START WIRING HARNESS.....	714	COOLER, HYDRAULIC OIL.....	1134
COLUMN, STEERING.....	772, 774	CORE, EVAPORATOR/HEATER.....	1312
COMMAND ARM BASE.....	740	CORE, EVAPORATOR/HEATER (ATC).....	1314
COMMAND CENTER DISPLAY UNIT - (VTI, VTV).....	790	CORNER POST DISPLAY - (PDU).....	770
COMPRESSOR BELT.....	620	COUNTERSHAFT.....	866
COMPRESSOR CLUTCH.....	1305	COUNTERSHAFT DRUM (PST).....	866
COMPRESSOR CLUTCH/STATOR/DUST COVER.....	1305	COUNTERSHAFT GEAR (PST).....	866
COMPRESSOR DUST COVER.....	1305	COUNTERSHAFT SLEEVE, TRANSMISSION (PST).....	856, 860
COMPRESSOR HARDWARE KIT.....	1304	COUNTERSHAFT (PST).....	866
COMPRESSOR HARDWARE SET.....	1304	COUPLERS, AIR BRAKE (EUROPEAN VERSION).....	1090
COMPRESSOR PARTS.....	1303	COUPLERS, AIR BRAKE (NORTH AMERICAN VERSION).....	1088
COMPRESSOR, AIR BRAKE AIR.....	1094	COUPLERS, SELECTIVE CONTROL VALVE.....	1224
COMPRESSOR, A/C.....	1302	COUPLER KIT, POWER BEYOND.....	1232
CONDENSER, FUEL COOLER.....	636	COUPLER, DIFFERENTIAL OUTPUT SHAFT.....	928
CONDENSER, RADIATOR.....	608	COUPLER, IMPLEMENT QUICK (CATEGORY III/IIIN).....	1164
CONDUIT.....	656	COUPLER, IMPLEMENT QUICK (CATEGORY IV).....	1166
Connecting Rod.....	82, 164, 246, 328, 410, 466, 522, 578	COUPLER, WAGON HITCH (EUROPEAN VERSION).....	1198
Connecting Rod Bearing Kit.....	107, 189, 271, 353	COUPLING.....	1053
Connecting Rod, Bearings.....	82, 164, 246, 328, 410, 466, 522, 578	COUPLING, VALVE (AUTOTRAC).....	1416
CONNECTOR.....	730, 1056, 1058, 1070	COVER.....	734, 736, 740, 744, 746, 1348, 1354, 1358
CONNECTORS, METRI-PACK.....	650	COVER KIT, TRANSMISSION REAR (PST).....	856
CONNECTOR ASSEMBLY.....	1344	COVER (WHERE RADIO IS NOT INSTALLED).....	739
CONNECTOR, BLOWER SWITCH.....	655	COVER ( 4TH & 5TH SCV ).....	1226
CONNECTOR, ELECTRICAL.....	654	COVER, BATTERY BOX.....	811
CONNECTOR, ENGINE HARNESS.....	658	COVER, CLUTCH (MFWD) (PST).....	874
CONNECTOR, FOR ENGINES.....	658	COVER, COWL.....	1324
		COVER, DIFFERENTIAL CASE (1500 MFWD).....	950
		COVER, DIFFERENTIAL HOUSING.....	932
		COVER, DIFFERENTIAL HOUSING (1500 MFWD).....	960
		COVER, DIFFERENTIAL (ILS).....	996
		COVER, DIFFERENTIAL (L.H.) (ILS).....	1002
		COVER, DIFFERENTIAL (L.H.) (ILS) (W/ BRAKES) (50K/IVT).....	1006

## Alphabetical Index - Continued

	Page		Page
COVER, DIFFERENTIAL (R.H.) (ILS)	1000	DIFFERENTIAL CASE GASKET AND PLUGS	990
COVER, DIFFERENTIAL (R.H.) (ILS) (W/ BRAKES) (50K/IVT)	1004	DIFFERENTIAL CASE GASKET (ILS)	990
COVER, DRAFT LINK SUPPORT	1144	DIFFERENTIAL CASE OIL EVACUATION	992
COVER, ENG. AIR CLEANER	626	DIFFERENTIAL CASE SHIELD (ILS)	992
COVER, FRESH AIR DUCT	1360	DIFFERENTIAL CASE SKID PLATE (ILS)	992
COVER, FRONT (MIDFRAME) (IVT)	1279	DIFFERENTIAL CASE (ILS)	988
Cover, Injection Pump Access	94, 176, 258, 340, 424, 480, 536, 592	DIFFERENTIAL COVER (ILS)	996
COVER, MANIFOLD (PST)	854	DIFFERENTIAL COVER (L.H.)	1002
COVER, MIDFRAME LESS RADAR (IVT)	1279	DIFFERENTIAL COVER (L.H.) (ILS)	1002
COVER, MIDFRAME LESS RADAR (PST)	1278	DIFFERENTIAL COVER (L.H.) (ILS) (W/ BRAKES) (50K/IVT)	1006
COVER, RADIO (CAB WITHOUT RADIO)	739	DIFFERENTIAL COVER (L.H.) (W/ BRAKES) (50K/IVT)	1006
Cover, Rocker Arm	56, 138, 220, 302, 384, 440, 496, 552	DIFFERENTIAL COVER (R.H.)	1000
COVER, STARTING CIRCUIT RELAY	742	DIFFERENTIAL COVER (R.H.) (ILS)	1000
Cover, Thermostat	74, 156, 238, 320, 402, 458, 514, 570	DIFFERENTIAL COVER (R.H.) (ILS) (W/ BRAKES) (50K/IVT)	1004
Cover, Timing Gear	98, 180, 262, 344, 428, 484, 540, 596	DIFFERENTIAL COVER (R.H.) (W/ BRAKES) (50K/IVT)	1004
COVER, TRANSMISSION CASE REAR (PST)	858, 860	DIFFERENTIAL DISK (ILS)	996
Cover, Valve	56, 138, 220, 302, 384, 440, 496, 552	DIFFERENTIAL DISK (1500 MFWD)	960
Cover, Water Pump	91, 173, 255, 337	DIFFERENTIAL DRIVE SHAFT OUTPUT GEAR (ILS)	988
COVER, WORK LAMP (UPPER MID-BODY)	818	DIFFERENTIAL HOUSING COVER (1500 MFWD)	960
COVER, W/O ADJ. FRONT FLOODLIGHT	820	DIFFERENTIAL HOUSING (ILS)	996
Cowl Assembly (Standard)	1324	DIFFERENTIAL HOUSING (1500 MFWD)	960
Crankshaft	80, 162, 244, 326, 408, 464, 520, 576	DIFFERENTIAL INPUT SHAFT (1500 MFWD)	950
Crankshaft and Bearing	80, 162, 244, 326, 408, 464, 520, 576	DIFFERENTIAL LOCK OIL LINES	962
Crankshaft Damper	58, 140, 222, 304, 386, 442, 498, 554	DIFFERENTIAL LOCK OIL LINES (1500 MFWD)	962
Crankshaft Main Bearing	80, 106, 162, 188, 244, 270, 326, 352, 408, 464, 520, 576	DIFFERENTIAL OUTPUT YOKE (L.H.) (ILS)	1002
Crankshaft Oil Seal	59, 141, 223, 305, 387, 443, 499, 555	DIFFERENTIAL OUTPUT YOKE (L.H.) (ILS) (W/ BRAKES) (50K/IVT)	1006
Crankshaft Oil Seal and Housing	59, 141, 223, 305, 387, 443, 499, 555	DIFFERENTIAL OUTPUT YOKE (R.H.) (ILS)	1000
Crankshaft Position Sensor	78, 160, 242, 324, 406, 462, 518, 574	DIFFERENTIAL OUTPUT YOKE (R.H.) (ILS) (W/ BRAKES) (50K/IVT)	1004
Crankshaft Thrust Bearing	80, 108, 162, 190, 244, 272, 326, 354, 408, 464, 520, 576	DIFFERENTIAL PLATE (ILS)	996
Crank Oil Seal	98, 180, 262, 344, 428, 484, 540, 596	DIFFERENTIAL SEPARATOR PLATE (1500 MFWD)	960
CROSS SPIDER ASSEMBLY (1500 MFWD)	958	DIFFERENTIAL SPIRAL BEVEL GEAR W/SHAFT (1500 MFWD)	960
CUSHION COVER	740	DIFFERENTIAL SPIRAL BEVEL GEAR (ILS)	996
CUSHION, INSTRUCTIONAL SEAT	1388, 1390	DIFFERENTIAL TRANS VENT LINES (PST)	880
CUSHION, INSTRUCTIONAL SEAT BACKREST	1388, 1390	DIFFERENTIAL VENT LINES	916
CUSHION, SEAT BACKREST	1394	DIFFERENTIAL (REAR) BEARING QUILL	932
CYLINDERS, PICK-UP HITCH	1202	DIFFERENTIAL (REAR) BEVEL PINION SHAFT	932
Cylinder Block	78, 160, 242, 324, 406, 462, 518, 574	DIFFERENTIAL (REAR) CASE	930
Cylinder Block Fittings	90, 172, 254, 336, 418, 474, 530, 586	DIFFERENTIAL (REAR) DRIVESHAFT INPUT QUILL	928
Cylinder Head	88, 170, 252, 334, 416, 472, 528, 584	DIFFERENTIAL (REAR) HOUSING	932
Cylinder Head Bolts Service Kit	124, 206, 288, 370	DIFFERENTIAL (REAR) HOUSING COVER	932
Cylinder Head Kit	88, 112, 170, 194, 252, 276, 334, 358, 416, 472, 528, 584	DIFFERENTIAL (REAR) HUB	932
Cylinder Head Removal, Gasket Kit	118, 200, 282, 364	DIFFERENTIAL (REAR) OUTPUT SHAFT COUPLER	928
Cylinder Liner	78, 160, 242, 324, 406, 462, 518, 574	DIFFERENTIAL (REAR) QUILL	932
Cylinder Liner Packing	125, 207, 289, 371	DIFFERENTIAL (REAR) SPIRAL BEVEL GEAR	936
CYLINDER, LIFT	1146, 1147	DIFFERENTIAL (REAR) SPIRAL BEVEL SHAFT	936
CYLINDER, LIFT (100 MM)	1149	DIFFERENTIAL, LOCKING (1500 MFWD)	960
CYLINDER, LIFT (112 MM)	1150	DIFFUSER, ILS	1033
CYLINDER, LIFT (90 MM)	1148	DIFFUSER, MFWD	1033
CYLINDER, STEERING ATTACHING PINS (1500 MFWD)	971	Dipstick, Engine Oil	76, 158, 404, 460
CYLINDER, STEERING (ILS)	1018	Dipstick, Oil	240, 322, 516, 572
CYLINDER, STEERING (1500 MFWD)	970	DIRECTION INDICATOR BRACKET (CAB) (EUROPEAN VERSION)	819
CYLINDER, SUSPENSION (ILS)	1030, 1032	DIRECTION INDICATOR LAMPS (CAB)(EUROPEAN VERSION)	819
		DIRECTION INDICATOR LAMP (CAB) (EUROPEAN VERSION)	819
		DISK, DIFFERENTIAL (ILS)	996
		DISK, DIFFERENTIAL (1500 MFWD)	960
		DISK, PARK BRAKE (PST)	858
		DISK, REVERSE BRAKE (PST)	860
		DISPLAY MODULE, SECONDARY UNIT	790
		DISPLAY UNIT, COMMAND CENTER - (VTI, VTV)	790
		Door	1343
		DOOR HANDLE	1338, 1356
		DOOR HANDLE WITH SECURITY LOCK (PARTS KIT)	1374
		DOOR HANDLE, LEFT-HAND	1342
		DOOR HINGE, LEFT-HAND	1342
		DOOR LATCH	1338, 1356
		DOOR, LEFT-HAND	1342
		DRAFT LINKS	1160
		DRAFT LINK BUMPER	1158
		DRAFT LINK BUMPER AND SWAY BLOCK (HEAVY DUTY KIT)	1157
		DRAFT LINK BUMPER (HEAVY DUTY KIT)	1157
		DRAFT LINK STABILIZER	1160
		DRAFT LINK POTENTIOMETER	1144
		DRAFT LINK SUPPORT	1144
		DRAWBAR CLEVIS	1184
		DRAWBAR CLEVIS (NORTH AMERICAN VERSION)	1180
		DRAWBAR CLEVIS (NORTH AMERICAN VERSION) (CATEGORY IV)	1182
		DRAWBAR CLEVIS (TYPE 2 PTO)	1186
		DRAWBAR CLEVIS (TYPE 3 PTO)	1188

## D

DAMPENER, TORSIONAL	618
DEAERATION HOSES	606
DEAERATION TANK	606
DECALS	1418, 1420, 1424, 1430, 1432
DECALS (EUROPEAN VERSION)	1422
DECALS (FRENCH)	1428
DECALS (SPANISH)	1426
DECAL, JOHN DEERE (FRONT SCREEN)	1288
DECAL, MODEL	1418
DECAL, STANDARD FRONT LIGHT BEZEL	835
DEFLECTOR, FAN	610
DELUXE HOOD LIGHTING	824
DELUXE HOOD LIGHTING (EUROPEAN VERSION)	825
DELUXE HYDRAULIC CONTROL UNIT (SCC, HCC, SFA, BRC)	794
DEVICE, CAN TERMINATING	672
DIFFERENTIAL	932, 960, 996
DIFFERENTIAL BEVEL GEAR (ILS)	996
DIFFERENTIAL BEVEL GEAR (1500 MFWD)	960
DIFFERENTIAL BEVEL PINION SHAFT (ILS)	996
DIFFERENTIAL BEVEL PINION SHAFT (1500 MFWD)	960
DIFFERENTIAL BEVEL PINION (ILS)	996
DIFFERENTIAL BEVEL PINION (1500 MFWD)	960
DIFFERENTIAL CASE	930, 988
DIFFERENTIAL CASE COVER (1500 MFWD)	950

## Alphabetical Index - Continued

Page	Page		
DRAWBAR CONVERSION KIT (CATEGORY III TO CATEGORY IV HEAVY DUTY).....	1176	ELEMENTS, FILTER.....	642
DRAWBAR CONVERSION KIT (CATEGORY IV TO CATEGORY IV HEAVY DUTY).....	1178	ELEMENT, ENG. AIR CLEANER.....	626
DRAWBAR FRONT SUPPORT (CATEGORY III).....	1168	Element, Final Fuel Filter.....	72, 154, 236, 318, 400, 456, 512, 568
DRAWBAR FRONT SUPPORT (CATEGORY IV).....	1172	ELEMENT, FUEL/WATER SEPERATOR FILTER.....	640
DRAWBAR FRONT SUPPORT (NA VERSION) (CATEGORY III).....	1170	Element, Oil Filter.....	92, 174, 256, 338, 422, 478, 534, 590
DRAWBAR FRONT SUPPORT, HEAVY DUTY (CATEGORY IV).....	1174	Element, Primary Fuel Filter.....	72, 154, 236, 318, 400, 456, 512, 568
DRAWBAR RETAINER (CAT III).....	1168	EMBLEM, LEAPING DEERE.....	822
DRAWBAR RETAINER (CAT IV).....	1172	EMBLEM, LEAPING DEERE (EUROPEAN VERSION).....	823
DRAWBAR RETAINER (NORTH AMERICAN VERSION)(CAT III).....	1170	EMERGENCY STEERING VALVE (PST).....	852
DRAWBAR RETAINER, HEAVY DUTY (CATEGORY IV).....	1174	ENGINE AIR CLEANER FILTER.....	626
DRAWBAR, FIELD INSTALLATION KIT (TYPE 2 PTO).....	1186	ENGINE CONTROLLER.....	794
DRAWBAR, FIELD INSTALLATION KIT (TYPE 3 PTO).....	1188	ENGINE CONTROL UNIT (ECU).....	794
DRAWBAR, HEAVY DUTY (CATEGORY IV).....	1174	ENGINE COOLANT HEATER (W/O HEATER).....	616
DRAWBAR, PICK-UP HITCH.....	1206	ENGINE COOLANT HEATER (120 V).....	617
DRAWBAR, REGULAR.....	1184	ENGINE COUPLING.....	618
DRAWBAR, REGULAR (CAT III).....	1168	Engine Gasket Kit.....	120, 202, 284, 366
DRAWBAR, REGULAR (CAT IV).....	1172	ENGINE HARNESS ELEC CONNECTORS.....	658
DRAWBAR, REGULAR (NORTH AMERICAN VERSION)(CAT III).....	1170	Engine Oil Cooler.....	92, 174, 256, 338
DRAWBAR, REGULAR (TYPE 3 PTO).....	1188	Engine Oil Cooler, Oil Filter.....	92, 174, 256, 338
DRAWBAR, REGULAR(TYPE 2 PTO).....	1186	Engine Oil Dipstick.....	76, 158, 240, 322, 404, 460, 516, 572
DRIVER, BLOWER MOTOR.....	1314	Engine Oil Filter.....	92, 174, 256, 338
DRIVESHAFT INPUT QUILL, DIFFERENTIAL.....	928	Engine Oil Pressure Sensor.....	78, 160, 242, 324, 406, 462, 518, 574
DRIVESHAFT, PTO (PST).....	878	Engine Oil Pump.....	86, 87, 168, 169, 250, 251, 332, 333, 414, 415, 470, 471, 526, 527, 582, 583
DRIVESHAFT, TRANSMISSION OUTPUT (PST).....	878	Engine Overhaul Kit.....	114, 196, 278, 360
DRIVE LINE AND KNUCKLE.....	1008	Engine Short Block Assembly.....	132, 214, 296, 378
DRIVE SHAFT (IVT).....	898	Engine speed control bracket.....	782
DRIVE SHAFT, ASPIRATOR.....	620	Engine Speed Control Gear.....	782
DRIVE, FAN.....	612	Engine Speed Control Knob.....	782
DRIVE, FINAL (ILS).....	1010	Engine Speed Control Lever.....	782
DRIVE, FINAL (1500 MFWD).....	956	Engine Speed Control (Armrest).....	782
DRIVE, HYDRAULIC PUMP.....	1112	ENGINE VENTILATOR TUBE.....	624
DRIVE, SPUR GEAR (1500 MFWD).....	950	Engine, Replacement.....	216, 298, 380, 436, 492, 548, 604
DRIVE, VARIABLE FAN WITH SHEAVES.....	614	Engine, Service.....	216, 298, 380, 436, 492, 548, 604
DRUM, CLUTCH (ILS).....	986	ENGINE, START SWITCH.....	780
DRUM, CLUTCH (MFWD)(PST).....	874	ETHER.....	634
DRUM, COUNTERSHAFT (PST).....	866	ETHER COLD WEATHER STARTING AID.....	634
DRUM, INPUT SHAFT (PST).....	864	ETHER SOLINOID.....	606
DRUM, OUTPUT SHAFT (PST).....	868, 870	EVACUATION HOUSING, OIL (ILS).....	992
DRUM, PTO CLUTCH.....	926	EVAPORATOR/HEATER CORE.....	1312
DRY AIR CLEANER.....	626	EVAPORATOR/HEATER CORE (ATC).....	1314
DUAL BEAM RADAR.....	712	Exhaust Gas Recirculation.....	102, 184, 266, 348
DUAL HUB EXTENSION KITS.....	1274	Exhaust Gas Recirculation (EGR) - Plug.....	434, 490, 546, 602
DUAL, (MFWD) (10 BOLT 16 POSITION).....	1263	Exhaust Manifold.....	69, 151, 233, 315, 397, 453, 509, 565
DUAL,(ILS/1500 MFWD)(10 BOLT 8 POSITION) FRONT WHEEL EXTENSION KITS.....	1260	Exhaust Manifold Removal Kit.....	126, 208, 290, 372
E		EXHAUST MUFFLER.....	632
EGR.....	102, 184, 266, 348	EXHAUST PIPE.....	632
EGR COOLANT HOSE.....	1308	EXHAUST SHEILD.....	632
EGR Service Kit.....	116, 198, 280, 362	EXHAUST SHIELD.....	630
EGR Temperature Sensor.....	102, 184, 266, 348	EXHAUST SHIELDS.....	630
EGR Valve.....	102, 184, 266, 348	EXHAUST SYSTEM.....	632
EGR Valve Gasket Kit.....	122, 204, 286, 368	Exhaust Valve.....	88, 170, 252, 334, 416, 472, 528, 584
EH VALVE (AUTOTRAC).....	1410	EXPANSION VALVE, HEATER AND A/C.....	1312
EH VALVE, STEERING.....	1069	EXPANSION VALVE, REFRIGERANT LINES.....	1316
ELECTRICAL CONNECTOR.....	654, 730	EXPANSION VALVE, WITH TEMPERATURE SWITCH (ATC).....	1314
ELECTRICAL CONNECTORS.....	655	Extendable Power Mirrors.....	1368
ELECTRICAL CONNECTORS AND TERMINALS.....	654	EXTENSION KITS, DUAL HUB.....	1274
ELECTRICAL CONNECTORS AND TERMINALS KIT.....	646	EXTENSION KITS, FRONT WHEELS, DUALS (ILS/1500 MFWD).....	1260
ELECTRICAL CONNECTORS AND TERMINALS STORAGE TRAY.....	646	EXTENSION OUTER (ILS/1500 MFWD DUALS).....	1260
ELECTRICAL CONNECTOR AND TERMINAL KIT.....	646	EXTENSION, WIDE.....	1360, 1362
ELECTRICAL CONNECTOR ASSY.....	730, 732	EXTENSION, FRONT WHEELS, DUALS (ILS/1500 MFWD).....	1260
ELECTRICAL CONNECTOR HOUSING.....	1056, 1058, 1070	EXTENSION, INNER (ILS/1500 MFWD DUALS).....	1260
ELECTRICAL TERMINAL.....	654	EXTENSION, SWAY BLOCK.....	1156
ELECTRIC CLUTCH.....	918	EXTERNAL MIRRORS (MANUAL).....	1364
ELECTROHYDRAULIC CONTROLLER.....	794	EXTERNAL MIRRORS (POWER).....	1366
ELECTRONIC CONTROL UNIT.....	1054	EXTERNAL MIRRORS, MANUAL.....	1364
ELECTRO HYDRAULIC CONTROL UNIT (EH VALVE).....	1069	EXTINGUISHER, FIRE.....	1298
ELECTRO HYDRAULIC STEERING CONTROL UNIT (EH VALVE).....	1069, 1410	EXTRA WIDE FENDER KIT.....	1358
ELECTRO HYDRAULIC STEERING CONTROL UNIT (EH VALVE) (AUTOTRAC).....	1410	EXTREMITY WARNING LAMP.....	830
ELECTRO-HYDRAULIC VALVE (IVT).....	892	EXTREMITY WARNING LAMP ARM.....	830
ELECTRO-HYDRAULIC VALVE, PTO.....	924	EXTREMITY WARNING LAMP ARM, CIS.....	832
ELEC.PROPORTIONAL VALVE.....	1400	EXTREMITY WARNING LAMP BRACKET.....	830
ELEC. CONNECTOR.....	732	EXTREMITY WARNING LAMP BRACKET, CIS.....	832
ELEC. CONNECTOR HOUSING.....	732	EXTREMITY WARNING LAMP BULB.....	830
		EXTREMITY WARNING LAMP BULB, CIS.....	832
		EXTREMITY WARNING LAMP LENS.....	830
		EXTREMITY WARNING LAMP LENS, CIS.....	832
		EXTREMITY WARNING LAMP REFLECTOR LABEL.....	830
		EXTREMITY WARNING LAMP REFLECTOR LABEL CIS.....	832
		EXTREMITY WARNING LAMP SHIELD.....	830
		EXTREMITY WARNING LAMP SHIELD, CIS.....	832
		EXTREMITY WARNING LAMP WIRING HARNESS.....	830
		EXTREMITY WARNING LAMP WIRING HARNESS, CIS.....	832

## Alphabetical Index - Continued

	Page		Page
EXTREMITY WARNING LAMP, CIS .....	832	FRONT AXLE REAR PIVOT SUPPORT (MFWD) .....	1252
EXTREMITY WARNING LAMP, FENDER EXTENSION .....	830	FRONT AXLE REAR PIVOT SUPPORT (1500 MFWD) .....	968
EXTREMITY WARNING LAMP, (CIS) .....	832	FRONT BRAKE OIL LINES (ILS/IVT/50K) .....	998
		FRONT FENDER ASSEMBLY .....	974, 1036
F		FRONT FENDER ASSEMBLY (ILS) .....	1036
FAN DEFLECTOR .....	610	FRONT FENDER (1500 MFWD) .....	974
FAN DRIVE .....	612	FRONT FRAME .....	946, 1283
FAN DRIVE UNIT PARTS, VARIABLE .....	614	FRONT FRAME (1500 MFWD) .....	946
FAN DRIVE, VARIABLE, WITH SHEAVES .....	614	FRONT GRILLE AND HEADLIGHT HOUSING .....	1288
FAN SHROUD .....	610	FRONT HITCH .....	1242
FAN SHROUD ASSEMBLY .....	610	FRONT HITCH LINES .....	1246
FAN SHROUD SEAL .....	610	FRONT HITCH OR GRAPPLE, SCV SERVICE SECTION .....	1230
FENDER .....	1360, 1362	FRONT HITCH VALVE AND LINES .....	1244
FENDER BRACKET (ILS) .....	1036	FRONT HITCH WIRING HARNESS .....	717
FENDER EXTENSION, EXTREMITY WARNING LAMP .....	830	FRONT MID-BODY WORK LAMPS .....	818
FENDER KIT .....	1358	Front Oil Seal .....	98, 180, 262, 344, 428, 484, 540, 596
FENDER KIT (EXTRA WIDE) .....	1358	FRONT SUNSHADE .....	1371
FENDER STOP PANEL (1500 MFWD) .....	974	FRONT SUNSHADE KIT .....	1371
Fender Upholstery .....	1352	FRONT WEIGHT SUPPORT AND FRAME WEIGHTS (NORTH AMERICAN VERSION) .....	1297
FENDER W/ EXTENSION, REAR .....	1354, 1358	FRONT WHEELS (ILS/1500 MFWD) (DUALS) (10 BOLT 8 POSITION) .....	1260
FENDER, FRONT (ILS) .....	1036	FRONT WHEELS (ILS/1500 MFWD) (10 BOLT) (8-POSITION) (DUALS) .....	1260
FENDER, FRONT (1500 MFWD) .....	974	FRONT WHEELS (MFWD) (12 BOLT) (16 POSITION) .....	1263
FIELD INSTALLED STORAGE TRAY KIT (FOR FIELD OFFICE) ..	1376	FRONT WHEELS (MFWD) (12 BOLT) (16-POSITION) (WITH DUAL) .....	1263
FIELD OFFICE .....	1376	FRONT WHEELS (MFWD) (12 BOLT) (2-POSITION) (EUROPEAN VERSION) .....	1262
FIFTH REMOTE CYLINDER CONTROL KIT (4TH/5TH SCV) .....	1236	FRONT WHEEL ASSEMBLY (MFWD) (12 BOLT) (8-POSITION) ..	1256
FILTERS .....	642	FRONT WHEEL EXTENSION, DUALS (ILS/1500 MFWD) .....	1260
FILTERS, TRACTOR .....	642	FRONT WHEEL SPACER KIT .....	1258
FILTER ELEMENTS .....	642	FRONT WHEEL SPACER KIT (AUSTRALIAN MARKET OR 1500 MFWD AXLE) .....	1258
Filter Element, Primary .....	72, 154, 236, 318, 400, 456, 512, 568	FRONT WINDOW .....	1334
Filter Head .....	72, 154, 236, 318, 400, 456, 512, 568	FUEL CAP .....	638
FILTER, CAB RECIRCULATING .....	1312, 1314	FUEL COOLER .....	608, 636
FILTER, ENGINE AIR CLEANER .....	626	FUEL COOLER/FUEL LINES .....	636
FILTER, HYDRAULIC OIL .....	1140	Fuel Filter .....	72, 154, 236, 318, 400, 456, 512, 568
FINAL DRIVE RING GEAR (120MM) .....	934	Fuel Filter Element Service Kit .....	109, 191, 273, 355
FINAL DRIVE (ILS) .....	1010	Fuel Filter, Primary .....	72, 154, 236, 318, 400, 456, 512, 568
FINAL DRIVE (1500 MFWD) .....	956	FUEL HOSES (COMMON RAIL) .....	636
Final Fuel Filter .....	72, 154, 236, 318, 400, 456, 512, 568	Fuel Injection Lines .....	62, 144, 226, 308, 390, 446, 502, 558
FIRE EXTINGUISHER .....	1298	Fuel Injection Nozzle .....	62, 144, 226, 308, 390, 446, 502, 558
FIRE EXTINGUISHER BRACKET .....	1298	Fuel Injection Pump .....	62, 144, 226, 308, 390, 446, 502, 558
FITTING .....	1054	Fuel Injector Wiring Harness Seal .....	110, 192, 274, 356
Fittings, Cylinder Block .....	90, 172, 254, 336, 418, 474, 530, 586	FUEL LINES (COMMON RAIL) .....	636
FITTINGS, IMPLEMENT HYDRAULIC OIL .....	1216	Fuel Pressure Sensor .....	72, 154, 236, 318, 400, 456, 512, 568
FITTINGS, LIFT CYLINDER .....	1151	FUEL SENDER .....	638
FITTINGS, PTO .....	924	FUEL SENDER WIRING HARNESS .....	638
FITTINGS, SNAP TO CONNECT .....	1217	FUEL TANK .....	638
FLANGE, ASPIRATOR INTAKE .....	620	FUEL TANK BREATHER .....	638
FLAP .....	1351	FUEL TANK CAP .....	638
FLEX BOX .....	1412	FUEL TANK PLATE .....	638
FLEX BOX (AUTOTRAC) .....	1412	FUEL TANK STRAINER .....	638
FLOODLAMP .....	829	FUEL TANK STRAP .....	638
FLOODLAMP, ADJ FRONT ROOF .....	821	FUEL TANK SUPPORT .....	638
FLOOR .....	1330	FUEL TANK VENT .....	638
FLOOR MAT .....	1330, 1373	Fuel Temperature Sensor .....	62, 144, 226, 308, 390, 446, 502, 558
FLOOR (CAB) .....	1330, 1373	Fuel Transfer Pump .....	72, 154, 236, 318, 400, 456, 512, 568
FLOWMETER SENSOR MOUNTING (AUTOTRAC) .....	1408	FUEL/WATER SEPARATOR .....	640
FLOWMETER, STEERING (AUTOTRAC) .....	1406	FUSE TERMINAL BOARD .....	655
FLOW CONTROL HYD. VALVE .....	1043	FUSE, LOAD CENTER .....	768
FLOW CONTROL HYD. VALVE ILS,80/395 CM3 .....	1054		
FLOW CONTROL HYD. VALVE MFWD,60/220 CM3 .....	1054	G	
FLOW CONTROL HYD. VALVE 2WD,60/185 CM3 .....	1054	GASKET KIT, AIR COMPRESSOR (AIR BRAKE) .....	1096
Flywheel .....	60, 142, 224, 306, 388, 444, 500, 556	Gasket Kit, Cylinder Head Removal .....	118, 200, 282, 364
Follower, Cam .....	78, 160, 242, 324, 406, 462, 518, 574	Gasket Kit, EGR Valve .....	122, 204, 286, 368
FOOTREST .....	1330, 1373	Gasket Kit, Engine .....	120, 202, 284, 366
FOOT THROTTLE .....	781, 1373	GASKET, BLOWER MOTOR .....	1310
FORE-AFT ATTENUATOR BLOCK (AIR SEAT) .....	1392	GASKET, DIFFERENTIAL CASE (ILS) .....	990
FORE-AFT ISOLATOR CONTROL (AIR SEAT) .....	1392	Gasket, Exhaust Manifold .....	397, 453, 509, 565
FRAME WEIGHTS AND FRONT WEIGHT SUPPORT (NORTH AMERICAN VERSION) .....	1297	GASKET, FUEL/WATER SEPERATOR .....	640
FRAME WEIGHTS/FRONT WEIGHT SUPPORT .....	1297	Gasket, Oil Cooler .....	422, 478, 534, 590
FRAME, FRONT .....	1283	Gasket, Oil Pan .....	66, 148, 230, 312, 394, 450, 506, 562
FRAME, FRONT (1500 MFWD) .....	946	Gasket, Rocker Arm Cover .....	56, 138, 220, 302, 384, 440, 496, 552
FRAME, HITCH .....	1152	GAUGE, OIL FILL (HITCH FRAME) .....	1152
FRAME, MID ASSEMBLY (IVT) .....	1279	GEARS, HYDRAULIC PUMP DRIVE .....	1112
FRAME, MID ASSEMBLY (PST) .....	1278	GEARS, IDLER SHAFT CLUTCH (IVT) .....	914
FRESH AIR DUCT COVER .....	1360	GEARS, SUN DRIVE (IVT) .....	900
FRONT AND REAR WINDSHIELD WIPER .....	1336	GEAR PUMP HEATER .....	714
FRONT AND REAR WIPER ASSEMBLY .....	1336		
FRONT AXLE FRONT PIVOT SUPPORT .....	966		
FRONT AXLE FRONT PIVOT SUPPORT (MFWD) .....	1254		
FRONT AXLE FRONT PIVOT SUPPORT (1500 MFWD) .....	966, 1254		
FRONT AXLE REAR PIVOT SUPPORT .....	968, 1252		



## Alphabetical Index - Continued

	Page		Page
GEAR W/SHAFT, DIFFERENTIAL SPIRAL BEVEL (1500 MFWD) ..	960	HEATER, ENGINE COOLANT (W/O HEATER) .....	616
GEAR, CARRIER DRIVE (IVT) .....	900	HEATER, ENGINE COOLANT (120 V) .....	617
GEAR, COUNTERSHAFT (PST) .....	866	HEATER, GEAR PUMP .....	714
GEAR, DIFFERENTIAL BEVEL (ILS) .....	996	HEATER, TRANSMISSION .....	714
GEAR, DIFFERENTIAL BEVEL (1500 MFWD) .....	960	Heat Exchanger, EGR .....	102, 184, 266, 348
GEAR, DIFFERENTIAL DRIVE SHAFT OUTPUT (ILS) .....	988	HEAT SHIELDS .....	1288
GEAR, DIFFERENTIAL SPIRAL BEVEL .....	936	HEAT SHIELDS, FRONT GRILLE AND HEADLIGHT HOUSING...	1288
GEAR, DIFFERENTIAL SPIRAL BEVEL (ILS) .....	996	HEAVY DUTY DRAWBAR CONVERSION KIT (CATEGORY III TO	
Gear, Engine Speed Control .....	782	CATEGORY IV) .....	1176
Gear, FINAL DRIVE RING (120MM) .....	934	HEAVY DUTY DRAWBAR CONVERSION KIT (CATEGORY IV TO	
Gear, Flywheel .....	60, 142, 224, 306, 388, 444, 500, 556	CATEGORY IV HEAVYDUTY) .....	1178
GEAR, INPUT SHAFT (PST) .....	864	HEAVY DUTY DRAWBAR (CATEGORY IV) .....	1174
GEAR, OUTPUT SHAFT (PST) .....	868, 870	HEAVY DUTY HUB, MULTI POSITION DUALS) .....	1272
GEAR, REVERSE IDLER (PST) .....	862	HIGH INTENSITY DISCHARGE LIGHT (HID) .....	828
GEAR, TRANSMISSION INPUT (IVT) .....	894	Hinge .....	1343
GLASS, CAB FRONT .....	1334	HINGE ASSEMBLY, REAR WINDOW .....	1340
GLASS, STATIONARY RIGHT HAND .....	1332	HINGE, HOOD (LOWER) .....	1290
GPS RECEIVER BRACKET .....	1362	HITCH AUXILIARY RAISE KIT .....	1233
GRAPPLE OR FRONT HITCH, SCV SERVICE SECT ION .....	1230	Hitch Controls .....	744
GREENSTAR BRACKET, GPS RECEIVER .....	722	HITCH CONTROLS .....	1208
GREENSTAR WIRING HARNESS, GPS RECEIVER .....	722	HITCH CONTROLS, WAGON .....	1208
GREENSTAR, WIRING HARNESS, GPS .....	722	HITCH CONTROL SWITCH BRACKET (REAR HITCH)	
GRILL .....	738	(EXTERNAL) .....	793
GRILLE AND HEADLIGHT HOUSING .....	1288	HITCH CONTROL SWITCH (REAR HITCH) (EXTERNAL) .....	793
GRIP .....	736	HITCH CONTROL (REAR HITCH) (EXTERNAL) .....	793
GROMMET .....	1386, 1398	HITCH DRAFT SENSOR .....	1144
GROUND DRIVEN PUMP OIL LINE (ILS) .....	982	HITCH FRAME .....	1152
GUIDE .....	734, 736	HITCH FRAME REFLECTOR (EUROPEAN VERSION) .....	836
GUIDE BAR, AIR SEAT SUSPENSION .....	1392	HITCH KIT (TYPE 2 PTO) .....	1194
GUIDE, REAR HOOD SUPPORT .....	1296	HITCH KIT,TYPE 3 PTO .....	1196
		HITCH LINES, FRONT .....	1246
H		HITCH STABILIZER (DELUXE) (EUROPEAN VERSION) .....	1214
HAMMER .....	1348	HITCH VALVE .....	1228
Handle .....	1339	HITCH VALVE AND LINES, FRONT .....	1244
HANDLE .....	1348	HITCH VALVE MOUNTING PARTS .....	1210
HANDLE, DOOR .....	1338, 1356	HITCH, FRONT .....	1242
Handrail .....	1343	HITCH, PICK-UP .....	1200
HANDRAIL, CAB, LH .....	1378	HITCH, THREE IN ONE (TYPE 2 PTO) .....	1194
HANDRAIL, LEFT HAND .....	1326, 1380	HITCH, THREE IN ONE, TYPE 3 PTO .....	1196
HANDRAIL, POST UPHOLSTERY .....	1378	HI-LO CLUTCH ASSEMBLY .....	904
HANDRAIL, POST UPHOLSTERY (CAB) .....	1378	HI-LO CLUTCH ASSEMBLY (IVT) .....	904
HARDWARE KIT, BRAKE VALVE .....	1066	HOLDER .....	1352
HARNESS, HEADLAMP .....	822	HOOD DELUXE HEADLIGHT .....	824
HARNESS, HEADLAMP (EUROPEAN VERSION) .....	823	HOOD DELUXE HEADLIGHT (EUROPEAN VERSION) .....	825
HARNESS, ROOF WIRING .....	798, 800, 802, 804	HOOD GUIDE SUPPORT (REAR) .....	1296
HARNESS, TAIL LIGHT .....	834	HOOD HINGE AND PIVOT .....	1290
HARNESS, WHEEL ANGLE SENSOR (1300 MFWD) .....	1409	HOOD HINGE (LOWER) .....	1290
HARNESS, WIRING, AUTOTRAC .....	1414	HOOD KIT .....	1286
HEADLAMP HARNESS .....	822	HOOD LATCH .....	1288
HEADLAMP HARNESS (EUROPEAN VERSION) .....	823	HOOD LATCH STRIKER .....	1283
HEADLIGHTS .....	822	HOOD LATCH STRIKER (1500 MFWD) .....	946
HEADLIGHTS (EUROPEAN VERSION) .....	823	HOOD LINKAGE .....	1292, 1294
HEADLIGHTS (LEFT-HAND TRAFFIC) (EUROPEAN VERSION) ..	823, 825	HOOD LOUVERS .....	1286
HEADLIGHTS (RIGHT-HAND TRAFFIC) (EUROPEAN		HOOD PIVOT .....	1290
VERSION) .....	823, 825	HOOD PIVOT SPRING .....	1294
HEADLIGHT ADJUSTING SCREWS .....	822, 824	HOOD SCREENS .....	1286
HEADLIGHT ADJUSTING SCREWS (EUROPEAN VERSION) .....	823, 825	HOOD SEALS .....	1288
HEADLIGHT HOUSING AND FRONT GRILLE .....	1288	HOOD SIDES .....	1288
HEADLIGHT WIRING HARNESS .....	674	HOOD SOUND BARRIERS .....	1288
HEADLIGHT, DELUXE HOOD .....	824	HOOD SUPPORT .....	1294
HEADLIGHT, DELUXE HOOD (EUROPEAN VERSION) .....	825	HOOD - HARDWARE KIT .....	1292
HEADLINER .....	1346	HOOD, CHASSIS WIRING HARNESS (EV) .....	721
Headliner (Premium Sound System) .....	1382	HOOD, CHASSIS WIRING HARNESS (NAV) .....	720
Head, Cylinder .....	88, 170, 252, 334, 416, 472, 528, 584	HOOD, LOUVERS AND SCREENS .....	1286
HEATER AND A/C BLOWER MOTOR .....	1312	HOOD, TOP PANEL ASSY PARTS .....	1286
HEATER AND A/C BLOWER MOTOR IMPELLER .....	1312	HOOK .....	1346
HEATER AND A/C BLOWER MOTOR IMPELLER (ATC) .....	1314	HOOK (PREMIUM SOUND SYSTEM HEADLINER) .....	1382
HEATER AND A/C BLOWER MOTOR (ATC) .....	1314	HOOK, IMPLEMENT QUICK COUPLER STORAGE BRACKET	
HEATER AND A/C EXPANSION VALVE .....	1312	(CATEGORY IV) .....	1166
HEATER AND A/C HOUSING .....	1312	HOOK, IMPLEMENT (CATEGORY IV) .....	1166
HEATER AND A/C RESISTOR .....	1312	HOOK, PICK-UP HITCH .....	1200
HEATER AND A/C THERMOSTAT .....	1312	HORN .....	657
HEATER HOSE .....	1308	HOSE .....	1400
HEATER HOSES .....	1308	HOSES, AFTERCOOLER PIPE .....	628
HEATER HOSE CLAMP .....	1308	HOSES, FRONT HITCH .....	1246
HEATER LINES .....	1308, 1318	HOSES, PICK-UP HITCH HYDRAULIC .....	1204
HEATER/AIR CONDITIONING MODULE ASSEMBLY (ATC) .....	1314	HOSE IDENTIFICATION KIT .....	1219
HEATER/AIR CONDITIONING MODULE ASSEMBLY (MANUAL) ..	1312	HOSE, BRAKE VALVE W/O ATTENUATOR .....	1074
HEATER, COLD WEATHER START .....	714	HOSE, CAP END, SEAT SUSPENSION .....	1396
		HOSE, EGR COOLANT .....	1308
		HOSE, HEATER .....	1308
		HOSE, HYDRAULIC LIFT CYLINDER .....	1151
		HOSE, HYDRAULIC TRAILER BRAKE VALVE .....	1080

## Alphabetical Index - Continued

	Page		Page
HOSE, RADIATOR.....	606	ILS CHASSIS WIRING HARNESS CONNECTORS	
HOSE, ROCKER ARM VENT LINE.....	624	(2/3)(IVT)(50K).....	690
HOSE, ROD END, SEATSUSPENSION.....	1396	ILS CHASSIS WIRING HARNESS CONNECTORS	
HOSE, TURBO INLET (TRAILER BRAKE).....	626	(3/3)(IVT)(50K).....	692
HOUSING.....	732, 740, 1046, 1056, 1058, 1070, 1352	ILS CHASSIS WIRING HARNESS CONTINUED (2/3).....	684
HOUSING (ATC).....	1314	ILS CHASSIS WIRING HARNESS CONTINUED (2/3)	
HOUSING, CIGAR LIGHTER.....	1352	(NON-CERTIFIED).....	702
HOUSING, AXLE (R.H.) (1500 MFWD).....	954	ILS CHASSIS WIRING HARNESS CONTINUED	
HOUSING, AXLE (120MM).....	934	(2/3)(50K)(NON-CERTIFIED).....	708
HOUSING, AXLE, W/CASE (L.H.) (1500 MFWD).....	952	ILS CHASSIS WIRING HARNESS CONTINUED (3/3).....	686
HOUSING, DIFFERENTIAL.....	932	ILS CHASSIS WIRING HARNESS CONTINUED (3/3)	
HOUSING, DIFFERENTIAL (ILS).....	996	(NON-CERTIFIED).....	704, 710
HOUSING, DIFFERENTIAL (1500 MFWD).....	960	ILS CHASSIS WIRING HARNESS (1/3) (NON-CERTIFIED).....	700
HOUSING, ENG. AIR CLEANER.....	626	ILS CHASSIS WIRING HARNESS (50K) (1/3) (NON-CERTIFIED).....	706
HOUSING, HEATER AND A/C.....	1312	IMPELLER, ASPIRATOR.....	620
HOUSING, KNUCKLE (ILS).....	1008	IMPELLER, HEATER AND A/C BLOWER MOTOR.....	1312
HOUSING, KNUCKLE (1500 MFWD).....	958	IMPELLER, HEATER AND A/C BLOWER MOTOR (ATC).....	1314
Housing, Oil Cooler.....	422, 478, 534, 590	IMPLEMENT GATEWAY CONTROL UNIT (CLC, TEC ).....	794
HOUSING, OIL EVACUATION (ILS).....	992	IMPLEMENT HARNESS.....	722
HOUSING, PARK BRAKE CLUTCH DISK (IVT).....	906	IMPLEMENT HOOK (CATEGORY IV).....	1166
HOUSING, PTO (OPTIONAL PTO) (1 3/4" SHAFT) (1000 RPM).....	940	IMPLEMENT HYDRAULIC OIL LINES AND FITTINGS.....	1216
HOUSING, PTO (OPTIONAL PTO) (1 3/8" SHAFT) (540/1000		Implement Quick Coupler (Category III/IIIN).....	1164
RPM).....	942	IMPLEMENT QUICK COUPLER (CATEGORY IV).....	1166
HOUSING, PTO (PST).....	872	IMPLEMENT SAFETY CHAIN.....	1190
HOUSING, PTO (STANDARD) (1 3/4" SHAFT) (1000 RPM).....	938	IMPLEMENT SWITCH.....	718
HOUSING, PUMP DRIVE.....	926	IMPLEMENT SWITCH WIRING HARNESS.....	718
HOUSING, REVERSE BRAKE (IVT) (REAR).....	886, 888	INDEPENDENT LINK SUSPENSION ACCUMULATORS.....	1033
HOUSING, SCAVENGE PUMP (PST).....	872	INDEPENDENT LINK SUSPENSION	
Housing, Thermostat.....	74, 156, 238, 320, 402, 458, 514, 570	CYLINDER/ACCUMULATOR.....	1030
HOUSING, TRANSMISSION (IVT) (FRONT).....	890	INDEPENDENT LINK SUSPENSION MANIFOLD (40K).....	1020
HOUSING, TRANSMISSION (IVT) (REAR).....	886, 888	INDEPENDENT LINK SUSPENSION MANIFOLD (50K).....	1022
HOUSING, VARIABLE SPEED FAN DRIVE.....	614	INERTIA RING.....	618
HUB CAST REAR WHEELS (HEAVY DUTY).....	1266	Injection Pump Access Cover.....	94, 176, 258, 340, 424, 480, 536, 592
HUB STEEL DISK REAR WHEELS (10-BOLT HUB) (HEAVY		Injector Service Kit.....	130, 212, 294, 376
DUTY).....	1268	Injector, Fuel.....	62, 144, 226, 308, 390, 446, 502, 558
HUB, CAST REAR WHEELS (HEAVY DUTY).....	1266	Inlet, Air.....	77, 159, 241, 323, 405, 461, 517, 573
HUB, CAST REAR WHEELS (NAV).....	1264	Inlet, Water Pump.....	420, 476, 532, 588
HUB, DIFFERENTIAL.....	932	INNER EXTENSION (ILS/1500 MFWD DUALS).....	1260
HUB, HEAVY DUTY MULTI POSITION DUALS.....	1272	INNER ROOF.....	1360
HUB, MULTI POSITION DUALS.....	1270	INPUT PINION (4 STEP) (ILS).....	988
HUB, PTO CLUTCH.....	926	INPUT PINION (5 STEP) (ILS).....	988
HUB, WHEEL (ILS).....	1010	INPUT PLANETARY ASSEMBLY.....	900
HUB, WHEEL (MFWD) (1500 MFWD).....	956	INPUT PLANETARY ASSEMBLY (IVT).....	900
HYDRAULIC AND TRANSMISSION OIL.....	1110	INPUT PLANETARY CARRIER.....	902
HYDRAULIC CYLINDER, FRONT HITCH.....	1242	INPUT PLANETARY CARRIER (IVT).....	902
HYDRAULIC DIFFERENTIAL LOCK LABEL.....	796	INPUT QUILL.....	928
HYDRAULIC DIFFERENTIAL LOCK SWITCH.....	796	INPUT QUILL, DIFFERENTIAL DRIVESHAFT.....	928
Hydraulic Hose.....	1077	INPUT SHAFT.....	864, 894
HYDRAULIC HOSE.....	1054	INPUT SHAFT DRUM (PST).....	864
HYDRAULIC HOSES, PICK-UP HITCH.....	1204	INPUT SHAFT GEAR (PST).....	864
HYDRAULIC LIFT CYL KIT (90 MM).....	1148	INPUT SHAFT SLEEVE, TRANSMISSION (PST).....	856, 860
HYDRAULIC MOTOR RETURN KIT, MULTIPLE.....	1212	INPUT SHAFT (IVT).....	894
HYDRAULIC OIL COOLER.....	1134	INPUT SHAFT (PST).....	864
HYDRAULIC OIL COOLER LINES.....	1136, 1138	INPUT SHAFT, DIFFERENTIAL (1500 MFWD).....	950
HYDRAULIC OIL COOLER LINES (IVT).....	1136	INSTRUCTIONAL SEAT.....	1388, 1390
HYDRAULIC OIL COOLER LINES (PST).....	1138	INSTRUCTIONAL SEAT BACKREST.....	1388, 1390
HYDRAULIC OIL FILTER.....	1140	INSTRUCTIONAL SEAT BACKREST CUSHION.....	1388, 1390
HYDRAULIC PUMP.....	1116	INSTRUCTIONAL SEAT CUSHION.....	1388, 1390
HYDRAULIC PUMP DRIVE.....	1112	INSTRUCTIONAL SEAT KIT.....	1390
HYDRAULIC PUMP DRIVE LINES.....	1114	INSTRUCTIONAL SEAT (KIT).....	1390
HYDRAULIC PUMP LINES (40K)(50K/IVT/ILS).....	1124	INSTRUCTIONAL SEAT (LEATHER).....	1388
HYDRAULIC PUMP SEAL KIT.....	1118	Instrument PNL WRG Harness.....	773, 775
HYDRAULIC PUMP/BRAKE COOLING VALVE LINES		Intake Manifold.....	64, 146, 228, 310, 392, 448, 504, 560
(50K/IVT/ILS).....	1126	INTAKE PIPES, AIR.....	628
HYDRAULIC PUMP/LOAD SENSE MANIFOLD LINES.....	1128	INTAKE TUBE, ASPIRATOR.....	620
HYDRAULIC PUMP, INTEGRATED.....	1116	Intake Valve.....	88, 170, 252, 334, 416, 472, 528, 584
HYDROSTATIC MODULE.....	912	Intake, Air.....	77, 159, 241, 323, 405, 461, 517, 573
HYDROSTATIC MODULE (IVT).....	912	Intake, Oil Pump.....	66, 148, 230, 312, 394, 450, 506, 562
HYD OIL COOLER.....	608	INTERNAL MIRROR (CAB).....	1370
HYD. QUICK-CONNECT COUPLER.....	1232	INTERNAL, MIRROR.....	1370
HYD. VALVE.....	1043	INVERTER.....	740, 758
		ISOLATER.....	738
		ISOLATOR.....	1053, 1346, 1350, 1351
		ISOLATOR (PREMIUM SOUND SYSTEM HEADLINER).....	1382
		IVT CAB WIRING HARNESS.....	776
IDENTIFICATION KIT, HOSE.....	1219	IVT CHASSIS WIRING HARNESS CONNECTORS	
IDLER SHAFT, CLUTCH UNIT (IVT).....	914	(1/3)(ILS)(50K).....	688
IDLER, REVERSE (PST).....	862	IVT CHASSIS WIRING HARNESS CONNECTORS	
IFS POSITION SENSOR (ILS).....	1012	(2/3)(ILS)(50K).....	690
ILS CHASSIS WIRING HARNESS CONNECTORS (1/3).....	682	IVT CHASSIS WIRING HARNESS CONNECTORS	
ILS CHASSIS WIRING HARNESS CONNECTORS		(3/3)(ILS)(50K).....	692
(1/3)(IVT)(50K).....	688	IVT SHIFTING (COMMAND ARM).....	736
		IVT TRANSMISSION LINES.....	920

## Alphabetical Index - Continued

	Page		Page
J			
JOHN DEERE LABEL .....	1418	LABEL, ELECTRIC LOAD CENTER .....	1420
JUMPER HARNESS, SPEED SENSOR (ILS) .....	988	LABEL, ENGINE STARTING (FRENCH) .....	1428
Junction Block .....	755	LABEL, ENGINE STARTING (SPANISH) .....	1426
K			
KIT - TRANSMISSION PUMP (IVT) .....	1132	LABEL, HYDRAULIC DIFFERENTIAL LOCK .....	796
Kit, Air Compressor .....	123, 205, 287, 369	LABEL, INJECTION PUMP .....	1424
KIT, AIR COMPRESSOR GASKET (AIR BRAKE) .....	1096	LABEL, INJECTION PUMP (FRENCH) .....	1428
KIT, BACK-UP ALARM .....	713	LABEL, INJECTION PUMP (SPANISH) .....	1426
KIT, BRAKE COVERS .....	1060	LABEL, JOHN DEERE .....	1418
KIT, BRAKE MAKE-UP CHECK VALVE .....	1068	LABEL, PICK-UP HITCH .....	1424
KIT, BRAKE VALVE HARDWARE .....	1066	LABEL, PTO SAFETY (BI-LINGUAL) .....	1430
KIT, BRAKE VALVE OVERHAUL .....	1064, 1072	LABEL, PTO SAFETY (SPANISH) .....	1426
KIT, CLUTCH VALVE (PST) .....	852	LABEL, QUICK COUPLER .....	1424
KIT, COLD WEATHER START .....	714	LABEL, QUICK COUPLER (FRENCH) .....	1428
Kit, Connecting Rod Bearing .....	107, 189, 271, 353	LABEL, QUICK COUPLER (SPANISH) .....	1426
KIT, CONTROL VALVE MANIFOLD (ILS) (50K) .....	1022	LABEL, RADAR (FRENCH) .....	1428
KIT, CONTROL VALVE MANIFOLD (ILS)(40K) .....	1020	LABEL, RADAR (SPANISH) .....	1426
Kit, Crankshaft Main Bearing .....	106, 188, 270, 352	LABEL, ROPS WARNING .....	1420
Kit, Cylinder Head .....	112, 194, 276, 358	LABEL, ROPS WARNING (BI-LINGUAL) .....	1430
Kit, Cylinder Head Bolts Service Kit .....	124, 206, 288, 370	LABEL, ROPS WARNING (FRENCH) .....	1428
Kit, Cylinder Liner Packing .....	125, 207, 289, 371	LABEL, ROPS WARNING (SPANISH) .....	1426
KIT, ELECTRICAL CONNECTORS AND TERMINALS .....	646	LABEL, SAFETY .....	1424
Kit, Engine Overhaul .....	114, 196, 278, 360	LABEL, SAFETY SIGN .....	1420, 1424
Kit, Exhaust Manifold Removal .....	126, 208, 290, 372	LABEL, SAFETY (ENGLISH/FRENCH) .....	1430
KIT, FIELD CONVERSION (4TH/5TH SCV) .....	1236	LABEL, SAFETY (SPANISH) .....	1426
KIT, FRONT WHEEL SPACER .....	1258	LABEL, SLOW SPEED OVERLOAD (FRENCH) .....	1428
Kit, Fuel Filter Element Service Kit .....	109, 191, 273, 355	LABEL, SLOW SPEED OVERLOAD (SPANISH) .....	1426
KIT, HEAVY DUTY DRAWBAR CONVERSION (CATEGORY III TO CATEGORY IV) .....	1176	LABEL, TRACTOR TOW, EXPORT .....	1422
KIT, HEAVY DUTY DRAWBAR CONVERSION, (CATEGORY IV TO CATEGORY IV HEAVYDUTY) .....	1178	LABEL, WARNING (PTO SAFETY) .....	1420
KIT, HITCH AUXILIARY .....	1233	LABEL, WARNING (20 MPH) .....	1420
KIT, HOOD .....	1286	LABEL, 40 KM/H .....	1422
KIT, HOSE IDENTIFICATION .....	1219	LABEL, 50 KM/H .....	1422
KIT, HYDRAULIC PUMP SEAL .....	1118	LAMP .....	1344
KIT, HYD LIFT CYLINDER (100 MM) .....	1149	LAMP, CAB ROOF WORK .....	820
KIT, HYD LIFT CYLINDER (112 MM) .....	1150	LAMP, DIRECTION INDICATOR (CAB) (EUROPEAN VERSION) .....	819
KIT, HYD LIFT CYL (90 MM) .....	1148	LAMP, EXTREMITY WARNING .....	830
KIT, HYD PUMP ANTI DRAIN .....	1116	LAMP, EXTREMITY WARNING, CIS .....	832
KIT, HYD PUMP BYPASS .....	1116	LAMP, MID BODY FRONT WORK (EV) .....	819
KIT, HYD PUMP CONTROLLER .....	1116	LAMP, ROOF SIDE WORK (CAB) .....	835
KIT, IMPLEMENT SAFETY CHAIN ADAPTER .....	1190	LATCHES, RADIATOR .....	608
KIT, INSTRUCTIONAL SEAT .....	1390	LATCH .....	1394
KIT, LOW STAND-BY PRESSURE .....	1238	LATCH, DOOR .....	1338, 1356
KIT, MULTIPLE HYDRAULIC MOTOR RETURN .....	1212	LATCH, HOOD .....	1288
KIT, O-RING .....	1218	LATCH, PICK-UP HITCH .....	1200
KIT, POWER BEYOND COUPLER .....	1232	LEAPING DEERE EMBLEM .....	822
KIT, PRESSURE CONTROL VALVE (PST) .....	844	LEAPING DEERE EMBLEM (EUROPEAN VERSION) .....	823
KIT, RADIO, ANTENNA AND SPEAKER (DELUXE) .....	784	LEATHER CUSHION .....	1394
KIT, ROOF SIDE WORK LAMP (CAB) .....	835	Left Hand Door .....	1342
KIT, ROTATING BEACON SWITCH .....	807	Left Hand Door Handle .....	1338
KIT, SEAL (A/C COMPRESSOR) .....	1303	LEFT HAND REVERSE .....	774
KIT, SEAT (AIR SPRING) .....	1402	LEFT HAND STEP .....	1326, 1380
Kit, Starter Motor .....	127, 209, 291, 373	LEFT-HAND DOOR HANDLE .....	1338, 1342, 1356
KIT, STEERING CYLINDER SEAL (1500 MFWD) .....	970	LEFT-HAND DOOR HINGE .....	1342
KIT, SUSPENSION CYLINDER SEAL (ILS) .....	1032	LENS, EXTREMITY WARNING LAMP .....	830
Kit, Thrust Bearing .....	108, 190, 272, 354	LENS, EXTREMITY WARNING LAMP, CIS .....	832
KIT, TRANSMISSION PUMP (IVT) .....	1132	LEVER .....	1050
KIT, TRANSMISSION REAR COVER (PST) .....	856	LEVER, CONTROL, SINGLE .....	757
Kit, Water Pump .....	105, 187, 269, 351	Lever, Engine Speed Control .....	782
KIT, WINDSHIELD AND REAR WASHER .....	1333	LEVER, ROCKSHAFT POSITION SENSOR .....	1142
Knob .....	773, 775	LEVER, STEERING COLUMN .....	1050
KNOB .....	736, 740	LEVER, WAGON HITCH .....	1208
KNOB, RECLINER KIT .....	1394	LICENSE PLATE .....	1344
KNOB, CAB SWITCH MODULE .....	743	LICENSE PLATE AND LAMP (EUROPEAN VERSION ) .....	1344
Knob, Engine Speed Control .....	782	LICENSE PLATE AND LAMP (EUROPEAN VERSION) .....	1344
KNUCKLE HOUSING (ILS) .....	1008	LIFT ARM, ROCKSHAFT .....	1141
KNUCKLE HOUSING (1500 MFWD) .....	958	LIFT CYLINDER .....	1146, 1147
L			
LABEL (4TH/5TH SCV) .....	1236	LIFT CYLINDER LINES .....	1151
LABEL, ACCUMULATOR .....	1424	LIFT CYLINDER (100 MM) .....	1149
LABEL, BY-PASS (FRENCH) .....	1428	LIFT CYLINDER (112 MM) .....	1150
LABEL, BY-PASS (SPANISH) .....	1426	LIFT CYLINDER (90 MM) .....	1148
LABEL, CAUTION, INSTRUCTIONAL SEAT .....	1420	LIFT LINKS (CATEGORY III AND CATEGORY IVN) .....	1154
LABEL, DRAWBAR, TYPE APPROVAL .....	1422	LIFT LINK (CATEGORY III AND CATEGORY IVN) .....	1154
		LIGHTING, DELUXE HOOD .....	824
		LIGHTING, DELUXE HOOD (EUROPEAN VERSION) .....	825
		LIGHTING, STANDARD HOOD .....	822
		LIGHTING, STANDARD HOOD (EUROPEAN VERSION) .....	823
		LIGHT, HIGH INTENSITY DISCHARGE (HID) .....	828
		LIGHT, INTERIOR .....	1346
		LIGHT, INTERIOR (PREMIUM SOUND SYSTEM HEADLINER) .....	1382
		LIGHT, ROOF SIDE WORK .....	835
		LIGHT, TAIL .....	834
		LIGHT, TAIL/TURN SIGNAL .....	834
		LINE .....	1053
		Liner, Cylinder .....	78, 160, 242, 324, 406, 462, 518, 574



## Alphabetical Index - Continued

	Page		Page
Oil Cooler, Engine.....	92, 174, 256, 338	PEDAL, CLUTCH.....	918
OIL COOLER, HYDRAULIC.....	608, 1134	PEDAL, CLUTCH (PST).....	842
Oil Dipstick.....	240, 322, 516, 572	PEDAL, PIVOT RELEASE.....	1052
Oil Dipstick Tube.....	158, 460	PEDESTAL MOUNT LIGHT.....	829
OIL DISPLACEMENT TANKS.....	994	PICK-UP HITCH.....	1200
OIL DISPLACEMENT TANKS (ILS).....	994	Pick-Up Hitch Cylinders.....	1202
OIL EVACUATION HOUSING (ILS).....	992	PICK-UP HITCH DRAWBAR.....	1206
OIL FILL TUBE AND CAP (HITCH FRAME).....	1152	PICK-UP HITCH HYDRAULIC HOSES.....	1204
Oil Filter.....	422, 478, 534, 590	PICK-UP HITCH LATCH.....	1200
Oil Filter Element.....	92, 174, 256, 338	PINION CAST REAR WHEEL (HEAVY DUTY).....	1266
OIL FILTER, CONTROL VALVE (ACTIVE SEAT SUSPENSION).....	1400	PINION, CAST REAR WHEEL (NAV).....	1264
Oil Filter, Engine.....	92, 174, 256, 338	PINION, DIFFERENTIAL BEVEL (ILS).....	996
OIL FILTER, HYDRAULIC.....	1140	PINION, DIFFERENTIAL BEVEL (1500 MFWD).....	960
OIL LINES, DIFFERENTIAL LOCK (1500 MFWD).....	962	PINION, INPUT (4 STEP) (ILS).....	988
OIL LINES, FRONT BRAKE (ILS/IVT/50K).....	998	PINION, INPUT (5 STEP) (ILS).....	988
OIL LINES, HYDRAULIC TRAILER BRAKE VALVE.....	1080	PINION, PLANET (ILS).....	1010
OIL LINES, IMPLEMENT HYDRAULIC.....	1216	PINION, PLANET (120MM).....	934
Oil Lines, Turbocharger.....	96, 178, 260, 342, 426, 482, 538, 594	PINION, PLANET (1500 MFWD).....	956
OIL LINES, UPPER (AUTOTRAC).....	1408	PINION, SUN (ILS).....	1010
OIL LINE, GROUND DRIVEN PUMP (ILS).....	982	PINION, SUN (1500 MFWD).....	956
Oil Pan.....	66, 148, 230, 312, 394, 450, 506, 562	PINS, STEERING CYLINDER ATTACHING (1500 MFWD).....	971
OIL PRESSURE SENSOR, TRANSMISSION (ILS).....	992	PIPES, AIR INTAKE.....	628
OIL PRESSURE SENSOR, TRANSMISSION (PST).....	850	PIPE, EXHAUST.....	632
Oil Pump Intake.....	66, 148, 230, 312, 394, 450, 506, 562	Piston.....	82, 164, 246, 328, 410, 466, 522, 578
Oil Pump, Engine.....	86, 87, 168, 169, 250, 251, 332, 333, 414, 415, 470, 471, 526, 527, 582, 583	Piston Cooling Orifice.....	78, 160, 242, 324, 406, 462, 518, 574
Oil Seal, Crankshaft.....	59, 141, 223, 305, 387, 443, 499, 555	Piston Liner Kit.....	82, 164, 246, 328, 410, 466, 522, 578
Oil Seal, Front.....	98, 180, 262, 344, 428, 484, 540, 596	Piston Ring Kit.....	129, 211, 293, 375
OIL, TRANSMISSION AND HYDRAULIC.....	1110	PISTON, PARK BRAKE (IVT).....	906
OPTIONAL PTO (1 3/4" SHAFT) (1000 RPM).....	940	PISTON, PARK BRAKE (PST).....	858
OPTIONAL PTO (1 3/8" SHAFT) (540 RPM/1000 RPM).....	942	PISTON, PTO BRAKE.....	926
Orifice, Piston Cooling.....	78, 160, 242, 324, 406, 462, 518, 574	PISTON, REVERSE BRAKE (PST).....	860
OUTER EXTENSION (ILS/1500 MFWD DUALS).....	1260	PIVOT.....	734, 1050
OUTER ROOF.....	1362	PIVOT ASSEMBLY, STEERING (AUTOTRAC).....	1411
OUTLET.....	752	PIVOT RELEASE PEDAL.....	1052
OUTPUT DRIVESHAFT, TRANSMISSION (PST).....	878	PIVOT SHAFT.....	1292
OUTPUT GEAR, DIFFERENTIAL DRIVE SHAFT (ILS).....	988	PIVOT SHAFT, HOOD.....	1294
OUTPUT SHAFT COUPLER, DIFFERENTIAL.....	928	PIVOT SUPPORT FRONT, FRONT AXLE (1500 MFWD).....	966
OUTPUT SHAFT DRUM (PST).....	868, 870	PIVOT, HOOD.....	1290
OUTPUT SHAFT GEAR (PST).....	868, 870	PIVOT, STEERING COLUMN.....	1048, 1050
OUTPUT SHAFT W/O ILS (PST).....	868	PIVOT, STEERING COLUMN (AUTOTRAC).....	1046
OUTPUT SHAFT (PST).....	870	PLANETARY AND AXLE SHAFT (120MM).....	934
OUTPUT SHAFT, PTO (OPTIONAL PTO) (1 3/4" SHAFT) (1000 RPM).....	940	PLANETARY OUTPUT SHAFT (IVT).....	904
OUTPUT SHAFT, PTO (OPTIONAL PTO) (1 3/8" SHAFT) (540/1000 RPM).....	942	PLANET PINION CARRIER (ILS).....	1010
OUTPUT SHAFT, PTO (STANDARD) (1 3/4" SHAFT) (1000 RPM).....	938	PLANET PINION CARRIER (IVT).....	910, 912, 914
OUTPUT SHAFT, TRANSMISSION (ILS).....	986	PLANET PINION CARRIER (120MM).....	934
OUTPUT YOKE, DIFFERENTIAL (L.H.) (ILS).....	1002	PLANET PINION CARRIER (1500 MFWD).....	956
OUTPUT YOKE, DIFFERENTIAL (L.H.) (ILS) (W/ BRAKES) (50K/IVT).....	1006	PLANET PINION (ILS).....	1010
OUTPUT YOKE, DIFFERENTIAL (R.H.) (ILS).....	1000	PLANET PINION (120MM).....	934
OUTPUT YOKE, DIFFERENTIAL (R.H.) (ILS) (W/ BRAKES) (50K/IVT).....	1004	PLANET PINION (1500 MFWD).....	956
OVERHAUL KIT, BRAKE VALVE.....	1064, 1072	PLATE, LICENSE.....	1344
O-RINGS, CONTROL VALVE MANIFOLD REAR (ILS).....	1027	PLATE, DIFFERENTIAL CASE SKID (ILS).....	992
O-RING KIT.....	1218	PLATE, DIFFERENTIAL SEPARATOR (1500 MFWD).....	960
O-RING, MANIFOLD REAR (ILS).....	1027	PLATE, DIFFERENTIAL (ILS).....	996
		PLATE, PARK BRAKE PISTON RETURN (PST).....	858
		PLATE, PARK BRAKE PISTON SEPARATOR (PST).....	858
		PLATE, REVERSE BRAKE PISTON RETURN (PST).....	860
		PLATE, REVERSE BRAKE SEPARATOR (PST).....	860
		PLUG.....	740, 748, 754, 756
		PLUGS, CONTROL VALVE MANIFOLD (ILS).....	1024
		PLUGS, DIFFERENTIAL CASE LOWER (ILS).....	990
		PLUGS, HITCH FRAME.....	1152
		Plug, Air Compressor Mounting.....	430, 486, 542, 598
		PLUG, EURO STYLE.....	1398
		PLUG, RADIO (CAB WITHOUT RADIO).....	739
		PLUG, SWITCH HOLE.....	1398
		POSITION SENSOR, IFS (ILS).....	1012
		POSITION SENSOR, ROCKSHAFT.....	1142
		POSITIVE TERMINAL.....	813
		POST COVER ASSEMBLY.....	1378
		POST UPHOLSTERY.....	1348, 1378
		POTENTIOMETER.....	744, 746
		POTENTIOMETER (4TH/5TH SCV).....	1236
		POTENTIOMETER, DRAFT LINK.....	1144
		POTENTIOMETER, HITCH DRAFT SENSOR.....	672
		POTENTIOMETER, HITCH POSITION.....	672
		POWER BEYOND COUPLER KIT.....	1232
		POWER MIRROR, TELESCOPING AND HEATED.....	1368
		Power Strip.....	754
		Premium Radio.....	786
		PRESSURE CONTROL KIT, LOW STAND-BY.....	1238
		PRESSURE CONTROL VALVE KIT (PST).....	844
		PRESSURE CONTROL VALVE, MANIFOLD (PST).....	844
		Pressure Regulating Valve.....	92, 174, 256, 338

## P

PAD, FLOOR.....	1330
PANEL.....	1351
PANEL, FLOOR.....	1330
PANEL, REAR.....	1351
PANEL, A-POST COVER ASSEMBLY, LH.....	1378
PANEL, A-POST COVER ASSEMBLY, RH.....	1378
PANEL, FENDER STOP (1500 MFWD).....	974
PANEL, FRONT SCREEN.....	1282
Pan, Oil.....	66, 148, 230, 312, 394, 450, 506, 562
PARK BRAKE CLUTCH DISK HOUSING (IVT).....	906
PARK BRAKE DISK (PST).....	858
PARK BRAKE PISTON RETURN PLATE (PST).....	858
PARK BRAKE PISTON SEPARATOR PLATE (PST).....	858
PARK BRAKE PISTON (IVT).....	906
PARK BRAKE PISTON (PST).....	858
PARK BRAKE VALVE SOLENOID VALVE (PST).....	846
PARTS KIT - DOOR HANDLE WITH SECURITY LOCK.....	1374
PAWL.....	1050
PAWL, STEERING COLUMN.....	1050
PDU DISPLAY, CORNER POST.....	770
PEDALS, BRAKE.....	1070



## Alphabetical Index - Continued

Page	Page		
REPLACEMENT WIRING HARNESS CONNECTORS CO NT. (3/3) (CHASSIS) (MFWD) (NON-CERT).....	698	ROOF, INNER.....	1360
REPLACEMENT WIRING HARNESS CONNECTORS CO NT.(2/3) (CHASSIS)(ILS)(50K)(NON-CERT).....	708	ROOF, OUTER.....	1362
REPLACEMENT WIRING HARNESS CONNECTORS (1/3) (CHASSIS) (ILS) (NON-CERTIFIED).....	700	ROTARY BEACON LIGHT BRACKET.....	826
REPLACEMENT WIRING HARNESS CONNECTORS (1/3) (CHASSIS)(ILS)(50K)(NON-CERT).....	706	ROTARY BEACON LIGHT KIT.....	826
REPLACEMENT WIRING HARNESS CONNECTORS(CH ASSIS) (1/3) (ILS).....	682	ROTARY BEACON LIGHT RETAINER PLUG.....	826
REPLACEMENT WIRING HARNESS CONNECTORS(CH ASSIS) (1/3) (ILS)(IVT)(50K).....	688	ROTARY BEACON LIGHT WIRING HARNESS.....	826
REPLACEMENT WIRING HARNESS CONNECTORS(CH ASSIS) (1/3) (MFWD).....	676	ROTARY SENSOR, SEAT SUSPENSION.....	1396
REPLACEMENT WIRING HARNESS CONNECTORS(CH ASSIS) (1/3) (MFWD) (NON-CERTIFIED).....	694	ROTARY, SWITCH.....	758
REPLACEMENT WIRING HARNESS CONNECTORS(CH ASSIS) (2/3) (ILS)(IVT)(50K).....	690	ROTATING BEACON SWITCH KIT.....	807
REPLACEMENT WIRING HARNESS CONNECTORS(CH ASSIS) (3/3) (ILS)(ILS)(50K).....	692		
REPLACEMENT WIRING HARNESS (IVT).....	776	S	
REPLACEMENT WIRING HARNESS (PST).....	778	SAFETY CHAIN ADAPTER KIT, IMPLEMENT.....	1190
RESERVOIR, AUXILIARY SEAT SUSPENSION.....	1396	SCAVENGE PUMP.....	908
RESISTOR, HEATER AND A/C.....	1312	SCAVENGE PUMP HOUSING (PST).....	872
RETAINER PLUG, ROTARY BEACON LIGHT.....	826	SCAVENGE PUMP (IVT).....	908
RETAINER, DRAWBAR (CAT III).....	1168	SCAVENGE PUMP (PST).....	872
RETAINER, DRAWBAR (CAT IV).....	1172	SCREENS, HOOD.....	1286
RETAINER, DRAWBAR (NORTH AMERICAN VERSION)(CAT III).....	1170	SCREEN WITH O-RING, HITCH VALVE MTG.....	1210
RETAINER, HEAVY DUTY DRAWBAR (CATEGORY IV).....	1174	SCREEN, FRONT.....	1288
RETAINING SHAFT (AIR SEAT).....	1392	SCREEN, FRONT PANEL.....	1282
RETURN PLATE, PARK BRAKE PISTON (PST).....	858	SCREW.....	736
RETURN PLATE, REVERSE BRAKE PISTON (PST).....	860	SCREWS, ADJ HEADLIGHTS.....	824
REVERSER, LEFT HAND.....	774	SCREWS, ADJ HEADLIGHTS (EUROPEAN VERSION).....	825
REVERSER, RIGHT-HAND.....	772	SCREW, ADJ HEADLIGHT.....	822
REVERSE BRAKE.....	910	SCREW, ADJ HEADLIGHT (EUROPEAN VERSION).....	823
REVERSE BRAKE DISK (PST).....	860	SCV SERVICE SECTION (GRAPPLE).....	1230
REVERSE BRAKE HOUSING (IVT) (REAR).....	886, 888	SCV SERVICE SECTION (GRAPPLE, FRONT HITC H).....	1230
REVERSE BRAKE PISTON RETURN PLATE (PST).....	860	SEALANT.....	1299
REVERSE BRAKE PISTON (PST).....	860	SEALS, HEADLIGHT.....	824
REVERSE BRAKE SEPARATOR PLATE (PST).....	860	SEALS, HEADLIGHT (EUROPEAN VERSION).....	825
REVERSE BRAKE (IVT).....	910	SEALS, HOOD.....	1288
REVERSE IDLER.....	862	SEAL KIT ( 4TH & 5TH SCV ).....	1226
REVERSE IDLER GEAR (PST).....	862	SEAL KIT, A/C COMPRESSOR.....	1303
REVERSE IDLER (PST).....	862	SEAL KIT, HYDRAULIC PUMP.....	1118
RIGHT HAND STEP.....	1380	Seal Kit, Primary Fuel Filter.....	104, 186, 268, 350
RIGHT-HAND GLASS, STATIONARY.....	1332	SEAL KIT, SECONDARY BRAKE SOLENOID VALVE (EUROPEAN VERSION).....	1102
RIGHT-HAND REVERSER.....	772	SEAL KIT, STEERING CYLINDER (1500 MFWD).....	970
RIMS, FRONT WHEELS (ILS/1500 MFWD) (DUALS)(10 BOLT 8 POSITION).....	1260	SEAL KIT, SUSPENSION CYLINDER (ILS).....	1032
RIMS, FRONT WHEELS (MFWD) (12 BOLT) (16-POSITION) (WITH DUAL).....	1263	SEAL, FAN SHROUD.....	610
RIMS, FRONT WHEELS (MFWD) (12 BOLT) (2-POSITION) (EUROPEAN VERSION).....	1262	Seal, Fuel Injector Wiring Harness.....	110, 192, 274, 356
RIM, FRONT WHEEL (MFWD) 12 BOLT) (8-POSITION).....	1256	SEAL, RADIATOR.....	608
RING GEAR, FINAL DRIVE (120MM).....	934	SEAL, WINDSHIELD.....	1334
Ring Kit, Piston.....	82, 129, 164, 211, 246, 293, 328, 375, 410, 466, 522, 578	SEAT.....	1386, 1394
RING, INERTIA.....	618	SEAT ARMREST PAD.....	1398
Rocker Arm.....	84, 166, 248, 330, 412, 468, 524, 580	SEAT BACKREST.....	1394
Rocker Arm Cover.....	56, 138, 220, 302, 384, 440, 496, 552	SEAT BELT.....	1394
Rocker Arm Shaft.....	84, 166, 248, 330, 412, 468, 524, 580	SEAT BELT, INSTRUCTIONAL SEAT.....	1388, 1390
ROCKER ARM, VENT.....	624	SEAT BOTTOM.....	1394
ROCKER ARM, VENT LINES.....	624	SEAT FIRMNESS CONTROL SWITCH.....	1398
ROCKER SWITCH.....	748, 1346, 1398	SEAT INSTRUCTIONAL.....	1388, 1390
ROCKER SWITCH (PREMIUM SOUND SYSTEM HEADLINER).....	1382	SEAT KITS.....	1394
ROCKSHAFT.....	1141	SEAT KIT (AIR SPRING).....	1402
ROCKSHAFT POSITION SENSOR.....	1142	SEAT KIT, LUMBAR.....	1394
ROCKSHAFT / LIFT ARMS.....	1141	Seat Mounting.....	1399
ROD.....	1046, 1050	SEAT MOUNTING.....	1386, 1398
ROD, BRAKE PEDAL.....	1070	Seat Support.....	1399
ROD, TIE (ILS).....	1016	SEAT SUPPORT.....	1386, 1398
ROD, TIE (1500 MFWD).....	964	SEAT SUSPENSION ACCELEROMETER.....	1396
ROOF LAMPS W/ FLOODLIGHT.....	821	SEAT SUSPENSION, ACTUATOR.....	1396
ROOF SIDE WORK LAMP.....	835	SEAT SUSPENSION, ROTARY SENSOR.....	1396
ROOF SIDE WORK LAMP (CAB).....	835	SEAT SWIVEL KIT.....	1394
ROOF WIRING HARNESS, OUTER LIGHT (NORTH AMERICAN VERSION).....	798	SEAT TOP SUPPORT ASSY.....	1394
ROOF WIRING HARNESS, OUTER LIGHT (REGION 2).....	800	SECONDARY BRAKE SOLENOID VALVE (EUROPEAN VERSION).....	1102
ROOF WIRING HARNESS, OUTER LIGHT (REGION-2).....	800	SECONDARY ELEMENT, ENGINE.....	626
ROOF WIRING HARNESS, (ATC).....	802	SECONDARY UNIT DISPLAY MODULE.....	790
ROOF WIRING HARNESS, (MANUAL A/C).....	804	SECTOR.....	734, 1050
ROOF WORK LAMPS, WITH ADJ. FRONT LIGHT.....	821	SECURITY LOCK, DOOR HANDLE (PARTS KIT).....	1374
		Sediment Bowl.....	72, 154, 236, 318, 400, 456, 512, 568
		Selective Control Levers (Armrest).....	746
		SELECTIVE CONTROL VALVE.....	1224
		SELECTIVE CONTROL VALVE LINES (IVT).....	1235
		SELECTIVE CONTROL VALVE LINES (PST).....	1234
		Selective Control Valve Remote Control Kit (4th/5th SCV).....	1236
		SELECTIVE CONTROL VALVE REMOTE CONTROL KIT (4TH/5TH SCV).....	1236
		SELECTIVE CONTROL VALVE TOP COVER AND MANIFOLD.....	1222
		SELECTIVE CONTROL VALVE TOP COVER AND MA NIFOLD.....	1222
		SELECTIVE CONTROL VALVE (4TH & 5TH SCV).....	1226
		SENDER, FUEL.....	638

## Alphabetical Index - Continued

	Page		Page
SENSOR	734, 736, 1046	SHIELD, REAR TURBO	1296
SENSOR, AIR FILTER RESTRICTION	674	SHIELD, TURBO	630
Sensor, Air Pressure	64, 146, 228, 310	SHIELD, WAGON HITCH BRACKET	1192
Sensor, Air Temperature	64, 77, 146, 159, 228, 241, 310, 323, 405, 461, 517, 573	SHIM, DRAFT LINK ADJ RANGE	1158
SENSOR, CLEAN OIL LEVEL	672	SHIM, DRAFT LINK BUMPER	1158
Sensor, Coolant Temperature	74, 156, 238, 320, 402, 458, 514, 570	SHOCK CABLE (AIR SEAT SUSPENSION)	1392
SENSOR, COUNTERSHAFT SPEED	982	SHOCK OBSORBER, AIR SEAT	1392
SENSOR, COUNTERSHAFT SPEED (PST)	876	Short Block	132, 214, 296, 378
Sensor, Crankshaft Position	78, 160, 242, 324, 406, 462, 518, 574	SHROUD, FAN	610
SENSOR, ENG. AIR CLEANER	626	SIDE MIRROR, LEFT	1364
Sensor, Fuel Pressure	72, 154, 236, 318, 400, 456, 512, 568	SIDE MIRROR, RIGHT	1364
Sensor, Fuel Temperature	62, 144, 226, 308, 390, 446, 502, 558	SINGLE LEVER CONTROL	757
SENSOR, HYDRAULIC OIL FILTER	1140	SINGLE LINE BRAKE VALVE KIT	1092
SENSOR, HYDRAULIC OIL FILTER RESTRICTION	672	SKID PLATE (ILS)	992
SENSOR, HYDRAULIC OIL PRESSURE	672	SLEEVES STEEL DISK WHEELS (10-BOLT HUB) (HEAVY DUTY)	1268
SENSOR, HYDRAULIC OIL TEMPERATURE	672	SLEEVES, CAST REAR WHEELS (HEAVY DUTY) (110 MM)	1266
SENSOR, IFS POSITION (ILS)	1012	SLEEVES, CAST REAR WHEELS (HEAVY DUTY) (120 MM)	1266
Sensor, Oil Pressure	78, 160, 242, 324, 406, 462, 518, 574	SLEEVES, CAST REAR WHEELS (100 MM AXLE)	1264
SENSOR, PTO MAGNETIC PICK-UP	924	SLEEVES, CAST REAR WHEELS (110 MM AXLE)	1264
SENSOR, PTO SPEED (STANDARD)	672	SLEEVES, MULTI POSITION DUALS	1270
SENSOR, REAR PTO SPEED	672	SLEEVES, MULTI POSITION DUALS (HEAVY DUTY)	1272
SENSOR, ROCKSHAFT POSITION	1142	SLEEVE, MANIFOLD (PST)	854
SENSOR, ROTARY, SEAT SUSPENSION	1396	SLEEVE, TRANSMISSION COUNTERSHAFT (PST)	856, 860
SENSOR, STEERING POSITION (NOT SERVICED)	1411	SLEEVE, TRANSMISSION INPUT SHAFT (PST)	856, 860
SENSOR, TRANSMISSION OIL PRESSURE (ILS)	992	SLIDE PUCK, SEAT SUSPENSION	1396
SENSOR, TRANSMISSION OIL PRESSURE (IVT)	892	SNAP TO CONNECT FITTINGS	1217
SENSOR, TRANSMISSION OIL PRESSURE (PST)	850	SNAP TO CONNECT REPAIR RINGS	1217
SENSOR, VARIABLE FAN DRIVE	614	SOCKET	752
Sensor, Water in Fuel	72, 154, 236, 318, 400, 456, 512, 568	SOCKET OUTLET	752
SENSOR, WHEEL ANGLE (1300 MFWD)	1409	SOLENOID VALVE (MANIFOLD) (PST)	846
SENSOR, WHEEL ANGLE (1500 MFWD)	948	SOLENOID VALVE (REAR DIFFERENTIAL)	930
SENSOR, WHEEL SPEED	672, 930	SOLENOID VALVE, PARK BRAKE (PST)	846
SEPARATOR PLATE, DIFFERENTIAL (1500 MFWD)	960	SOLENOID VALVE, MANIFOLD (ILS) (50K)	1022
SEPARATOR PLATE, PARK BRAKE PISTON (PST)	858	SOLENOID VALVE, MANIFOLD (ILS) (40K)	1020
SEPARATOR PLATE, REVERSE BRAKE (PST)	860	SOLENOID VALVE, SECONDARY BRAKE (EUROPEAN VERSION)	1102
SEPARATOR, FUEL/WATER	640	SOLENOID, PTO	672
Service Engine	216, 298, 380, 436, 492, 548, 604	SOLENOID, SCV (CHASSIS HARNESS)	672
Service Kit, EGR	116, 198, 280, 362	SOLENOID, VAR FAN DRIVE	612
Service Kit, Injector Nozzle	130, 212, 294, 376	SPACER KIT, FRONT WHEEL	1258
SHAFT, STEERING	1046	Spacer, Exhaust Manifold	397, 453, 509, 565
SHAFT, AXLE (120MM)	934	SPEAKER	738, 1350
SHAFT, CONTROL PIVOT	1292	SPEAKERS (DELUXE)	784
SHAFT, DIFFERENTIAL BEVEL PINION	932	SPEED SENSOR JUMPER HARNESS (ILS)	988
SHAFT, DIFFERENTIAL BEVEL PINION (ILS)	996	SPEED SENSOR, WHEEL	930
SHAFT, DIFFERENTIAL BEVEL PINION (1500 MFWD)	960	SPIRAL BEVEL GEAR W/SHAFT, DIFFERENTIAL (1500 MFWD)	960
SHAFT, DIFFERENTIAL INPUT (1500 MFWD)	950	SPIRAL BEVEL GEAR, DIFFERENTIAL	936
SHAFT, DIFFERENTIAL SPIRAL BEVEL	936	SPIRAL BEVEL GEAR, DIFFERENTIAL (ILS)	996
SHAFT, DRAFT SENSOR	1144	SPIRAL BEVEL SHAFT, DIFFERENTIAL	936
SHAFT, DRIVE (IVT)	898	SPIRAL BEVEL WITH SHAFT	936
SHAFT, HOOD CONTROL PIVOT	1294	SPLINED COUPLING	1053
SHAFT, IDLER, CLUTCH UNIT (IVT)	914	SPRING	734, 744, 746, 1050
SHAFT, INPUT (IVT)	894	SPRING, HOOD PIVOT	1294
SHAFT, INPUT (PST)	864	SPRING, PIVOT RELEASE	1052
SHAFT, OUTPUT W/O ILS (PST)	868	SPRING, STEERING COLUMN	1050
SHAFT, OUTPUT (PST)	870	SPUR GEAR DRIVE	950
SHAFT, PLANETARY OUTPUT (IVT)	904	SPUR GEAR DRIVE (1500 MFWD)	950
SHAFT, PTO OUTPUT (OPTIONAL PTO) (1 3/4" SHAFT) (1000 RPM)	940	STABILIZER, DRAFT LINK HITCH	1160
SHAFT, PTO OUTPUT (OPTIONAL PTO) (1 3/8" SHAFT) (540/1000 RPM)	942	STABILIZER, HITCH (DELUXE) (EUROPEAN VERSION)	1214
SHAFT, PTO OUTPUT (STANDARD) (1 3/4" SHAFT) (1000 RPM)	938	STANDARD HOOD LIGHTING	822
SHAFT, PTO (IVT)	896, 898	STANDARD HOOD LIGHTING (EUROPEAN VERSION)	823
SHAFT, PTO (PST)	872	STANDARD PTO (1 3/4" SHAFT) (1000 RPM)	938
Shaft, Rocker Arm	84, 166, 248, 330, 412, 468, 524, 580	Starter	70, 152, 234, 316, 398, 454, 510, 566
SHAFT, STEERING	1048	Starter Motor	70, 152, 234, 316, 398, 454, 510, 566
SHAFT, STEERING (AUTOTRAC)	1046	Starter Motor Kit	127, 209, 291, 373
SHAFT, TRANSMISSION OUTPUT (ILS)	986	STARTER SWITCH (ENGINE)	780
SHAFT, TRANSMISSION OUTPUT (W/PARK BRAKE) (IVT)	906	STARTING AID	634
SHAFT, VARIABLE FAN DRIVE	614	STARTING CIRCUIT RELAY	742
SHEAVES, VARIABLE FAN DRIVE	614	STARTING CIRCUIT RELAY COVER	742
SHIELD	1354, 1358, 1360, 1362	START SWITCH CONNECTOR	655
SHIELDS, HEAT	1288	START SWITCH (ENGINE)	780
SHIELDS, WHEEL ANGLE SENSOR (1300 MFWD)	1409	STATIONARY RIGHT-HAND GLASS	1332
SHIELD SUPPORT, PTO	944	STATOR, A/C	1305
SHIELD, ALTERNATOR LH REAR	1296	STC (SNAP TO CONNECT) REPAIR RINGS	1217
SHIELD, AUXILIARY DRIVE	620	STEEL DISK REAR WHEELS (10-BOLT HUB)	1268
SHIELD, DIFFERENTIAL CASE (ILS)	992	STEEL DISK REAR WHEELS (10-BOLT HUB) (HEAVY DUTY)	1268
SHIELD, EXHAUST	630, 632	STEEL DISK WHEEL WEIGHTS	1277
SHIELD, EXTREMITY WARNING LAMP	830	STEERING ARM AND KNUCKLE	958
SHIELD, EXTREMITY WARNING LAMP, CIS	832	STEERING ARM (1500 MFWD)	958
SHIELD, MUFFLER	632	Steering Column	1044
SHIELD, PTO MASTER	944	STEERING COLUMN	772, 774
		STEERING COLUMN AND MOUNTING (IVT W/LH REVERSER)	774



## Alphabetical Index - Continued

Page	Page
STEERING COLUMN AND MOUNTING (IVT W/RH REVERSER) ..	772
STEERING COLUMN PIVOT ..	1048, 1050
STEERING COLUMN PIVOT (AUTOTRAC) ..	1046
STEERING COLUMN SUPPORT ..	1044
STEERING CONTROLLER (FLEX BOX) (AUTOTRAC) ..	1412
STEERING CONTROL UNIT, ELECTRO HYDRAULIC (EH VALVE) (AUTOTRAC) ..	1410
STEERING CYLINDER ..	970, 1018
STEERING CYLINDER ATTACHING PINS ..	971
STEERING CYLINDER ATTACHING PINS (1500 MFWD) ..	971
STEERING CYLINDER LINES ..	972, 1034
STEERING CYLINDER LINES (ILS) ..	1034
STEERING CYLINDER LINES (1500 MFWD) ..	972
STEERING CYLINDER (ILS) ..	1018
STEERING CYLINDER (1500 MFWD) ..	970
STEERING FLOWMETER ASSEMBLY ..	1406
STEERING FLOWMETER SENSOR MOUNTING BRACKET AND UPPER OIL LINES ..	1408
STEERING FLOWMETER (AUTOTRAC) ..	1406
STEERING PIVOT ASSEMBLY ..	1411
STEERING PIVOT ASSEMBLY (AUTOTRAC) ..	1411
STEERING POSITION SENSOR (NOT SERVICED) ..	1411
STEERING SHAFT ..	1046, 1048
STEERING SHAFT (AUTOTRAC) ..	1046
STEERING SHAFT, AUTOTRAC ..	1046
STEERING SYSTEM CONTROL UNIT (SSU) ..	1412
STEERING UNIVERSAL JOINT ..	1048
STEERING UNIVERSAL JOINT (AUTOTRAC) ..	1046
STEERING VALVE ..	1043, 1069
STEERING VALVE LINES ..	1054
STEERING VALVE MOUNTING PARTS ..	1053
STEERING WHEEL ..	1042
STEERING/BRAKE OIL LINES ..	1078
STEP, LEFT HAND ..	1326, 1380
STEP, MIDFRAME CONVENIENCE ..	1284
STORAGE BRACKET, IMPLEMENT QUICK COUPLER (CATEGORY IV) ..	1166
STORAGE TRAY ..	811, 1376
STORAGE TRAY, ELECTRICAL CONNECTORS AND TERMINALS ..	646
STRAP ..	736
STRAP, ACCUMULATOR (ILS) ..	1033
STRAP, FUEL TANK ..	638
STRIKER, HOOD LATCH ..	1283
STRIKER, HOOD LATCH (1500 MFWD) ..	946
Strip ..	755
Strip, Auxiliary Power ..	754
STUDS, HITCH VALVE MTG ..	1210
STUD KIT ( 4TH & 5TH SCV ) ..	1226
STUD, VAR FAN DRIVE MOUNTING ..	612
SUBWOOFER ..	738, 1350
SUBWOOFER KIT ..	738
SUNSHADE KIT, FRONT ..	1371
SUNSHADE KIT, REAR ..	1372
SUN DRIVE GEARS (IVT) ..	900
SUN GEARS, INPUT PLANETARY CARRIER (IVT) ..	902
SUN PINION (ILS) ..	1010
SUN PINION (1500 MFWD) ..	956
SUPPORT ..	740
SUPPORT, COMMAND ARM MOUNTING ..	1394
SUPPORT, DRAFT LINK ..	1144
SUPPORT, DRAWBAR FRONT (CATEGORY III) ..	1168
SUPPORT, DRAWBAR FRONT (CATEGORY IV) ..	1172
SUPPORT, DRAWBAR FRONT (NA VERSION) (CATEGORY III) ..	1170
SUPPORT, FRONT AXLE REAR PIVOT (MFWD) ..	1252
SUPPORT, FRONT AXLE REAR PIVOT (1500 MFWD) ..	968
SUPPORT, FRONT TOW POINT ..	1297
SUPPORT, FUEL TANK ..	638
SUPPORT, HEAVY DUTY DRAWBAR FRONT (CATEGORY IV) ..	1174
SUPPORT, HYDRAULIC OIL COOLER ..	1134
SUPPORT, PICK-UP HITCH CYLINDER ..	1202
SUPPORT, PTO SHIELD ..	944
SUPPORT, RADIATOR ..	608
SUPPORT, REGULAR DRAWBAR FRONT ..	1184
SUPPORT, REGULAR DRAWBAR FRONT (TYPE 3 P TO) ..	1188
SUPPORT, REGULAR DRAWBAR FRONT (TYPE 2 PT O) ..	1186
SUPPORT, STEERING COLUMN ..	1044
SUSPENSION CYLINDER ..	1032
SUSPENSION CYLINDER (ILS) ..	1030, 1032
SUSPENSION DAMPING CONTROL VALVE ..	1026
SUSPENSION DAMPING CONTROL VALVE (ILS) ..	1026
SUSPENSION, AIR SEAT ..	1392
SWAY BLOCK ..	1156
SWAY BLOCK, BUMPER (HEAVY DUTY KIT) ..	1157
Switch ..	773, 775
SWITCH ..	734, 748
SWITCH MODULE (CAB) ..	743
SWITCH (ATC) ..	760
SWITCH (MANUAL) ..	758
SWITCH, BRAKE PEDAL (PST) ..	1070
SWITCH, CLUTCH DISENGAGED (PST) ..	850
SWITCH, HITCH CONTROL (REAR HITCH) (EXTERNAL) ..	793
SWITCH, HYDRAULIC DIFFERENTIAL LOCK ..	796
SWITCH, IMPLEMENT ..	718
SWITCH, REAR PTO CONTROL ..	756
SWITCH, ROTARY ..	758
SWITCH, SEAT HEATER ..	1398
SYNCHRONIZER, CLUTCH UNIT (IVT) ..	914
T	
TAG, BATTERY CABLE ..	1424
TAG, BATTERY CABLE (FRENCH) ..	1430
TAG, BATTERY CABLE (SPANISH) ..	1426
TAIL LIGHT ..	834
TANK, AIR BRAKE AIR ..	1086
TANK, COOLANT RECOVERY ..	611
TANK, FUEL ..	638
TANK, OIL DIPLACEMENT (ILS) ..	994
TELESCOPING AND HEATED MIRROR ..	1368
TEMPERATURE CONTROL CABLE ..	1312
TEMPERATURE CONTROL CABLE (ATC) ..	1314
TENSIONER, AIR BRAKE BELT ..	1094
TENSIONS, AUXILIARY DRIVE ..	620
TERMINALS, METRI-PACK ..	650
TERMINAL BOARD, FUSE ..	655
TERMINAL BOARD, RELAY ..	655
TERMINAL CAP ..	813
TERMINAL, ELECTRICAL ..	654
TERMINAL, METRI-PACK ..	652
TERMINAL, POSITIVE ..	813
TERMINAL, WEATHERPACK ..	648
TERMINATOR ..	672
Thermostat ..	74, 156, 238, 320, 402, 458, 514, 570
Thermostat Cover ..	74, 156, 238, 320, 402, 458, 514, 570
Thermostat Housing ..	74, 156, 238, 320, 402, 458, 514, 570
THERMOSTAT, HEATER AND A/C ..	1312
THREE IN ONE HITCH (TYPE 2 PTO) ..	1194
THREE IN ONE HITCH (TYPE 3 PTO) ..	1196
THREE IN ONE HITCH, TYPE 3 PTO ..	1196
THROTTLE, FOOT ..	781
Thrust Bearing, Crankshaft ..	80, 162, 244, 326, 408, 464, 520, 576
TIE ROD ..	964, 1016
TIE ROD (ILS) ..	1016
TIE ROD (1500 MFWD) ..	964
TILT ARMREST ..	1398
Timing Gear Cover ..	98, 180, 262, 344, 428, 484, 540, 596
TOGGLE SWITCH ..	748
TOGGLE,ROCKER SWITCH ..	1346
TOGGLE,ROCKER SWITCH (PREMIUM SOUND SYSTEM HEADLINER) ..	1382
TOOLBOX ..	1280
TOOLBOX BRACKET ..	1280
TOP COVER AND MANIFOLD, SELECTIVE CONTROL VALVE ..	1222
TORSIONAL DAMPENER ..	618
Torsional Damper ..	58, 140, 222, 304, 386, 442, 498, 554
TORSION SPRING ..	744, 746
TOW PUMP VALVE (PST) ..	852
TOW SUPPORT, FRONT ..	1297
TRACTOR FILTERS ..	642
TRAILER BRAKE VALVE ..	1104
TRAILER BRAKE VALVE HOSES, HYDRAULIC ..	1080
TRAILER BRAKE VALVE LINES, HYDRAULIC ..	1080
TRAILER BRAKE VALVE (HYDRAULIC) ..	1080
TRAILER, WIRING HARNESS ..	806
Transfer Pump, Fuel ..	72, 154, 236, 318, 400, 456, 512, 568
TRANSMISSION AND HYDRAULIC OIL ..	1110
TRANSMISSION CASE ..	876, 982
TRANSMISSION CASE REAR COVER ..	858, 860
TRANSMISSION CASE REAR COVER (PST) ..	858, 860
TRANSMISSION CASE (ILS) ..	982
TRANSMISSION CASE (PST) ..	876
TRANSMISSION CONTROL SELECTOR (PST) ..	734
TRANSMISSION COUNTERSHAFT SLEEVE (PST) ..	856, 860
TRANSMISSION DIFFERENTIAL VENT LINES ..	916

## Alphabetical Index - Continued

Page	Page		
TRANSMISSION DIFFERENTIAL VENT LINES (PST).....	880	VALVE, EXPANSION WITH TEMPERATURE SWITCH (ATC).....	1314
TRANSMISSION ELECTRO-HYDRAULIC VALVE (PST).....	858	VALVE, HITCH.....	1228
TRANSMISSION HEATER.....	714	VALVE, HYDRAULIC TRAILER BRAKE.....	1080
TRANSMISSION HOUSING (FRONT).....	890	Valve, Intake.....	88, 170, 252, 334, 416, 472, 528, 584
TRANSMISSION HOUSING (IVT) (FRONT).....	890	VALVE, LIFT CYLINDER.....	1151
TRANSMISSION HOUSING (IVT) (REAR).....	886, 888	VALVE, MANIFOLD CLUTCH (PST).....	852
TRANSMISSION HOUSING (REAR).....	886, 888	VALVE, MANIFOLD PRESSURE CONTROL (PST).....	844
TRANSMISSION INPUT GEAR (IVT).....	894	VALVE, MANIFOLD (PST).....	846, 848
TRANSMISSION INPUT SHAFT SLEEVE (PST).....	856, 860	Valve, Pressure Regulating.....	92, 174, 256, 338
TRANSMISSION LINES.....	880, 916, 920, 984	VALVE, PTO ELECTRO-HYDRAULIC.....	924
TRANSMISSION LINES (ILS).....	984	VALVE, SELECTIVE CONTROL.....	1224
TRANSMISSION OIL PRESSURE SENSOR (ILS).....	992	VALVE, SOLENOID (MANIFOLD) (PST).....	846
TRANSMISSION OIL PRESSURE SENSOR (PST).....	850	VALVE, SOLENOID (REAR DIFFERENTIAL).....	930
TRANSMISSION OUTPUT DRIVESHAFT (PST).....	878	VALVE, SUSPENSION DAMPING CONTROL (ILS).....	1026
TRANSMISSION OUTPUT SHAFT.....	868	VALVE, TOW PUMP (PST).....	852
TRANSMISSION OUTPUT SHAFT W/CLUTCH ASSY (ILS).....	986	VALVE, TRAILER BRAKE.....	1104
TRANSMISSION OUTPUT SHAFT (ILS).....	986	VALVE, TRANSMISSION ELECTRO-HYDRAULIC (PST).....	858
TRANSMISSION OUTPUT SHAFT (W/PARK BRAKE) (IVT).....	906	VALVE, WATER.....	1312
TRANSMISSION OUTPUT SHAFT (W/ PARK BRAKE).....	906	VALVE, WATER (ATC).....	1314
TRANSMISSION OUTPUT SHAFT-CONTINUED.....	870	VARIABLE FAN DRIVE UNIT PARTS.....	614
TRANSMISSION PUMP AND LINES (IVT).....	1131	VARIABLE SPEED FAN DRIVE.....	614
TRANSMISSION PUMP AND LINES (PST).....	1130	VEHICLE CONTROLLER.....	794
TRANSMISSION PUMP KIT(IVT).....	1132	VEHICLE CONTROL UNIT - (VLC, CCU, PTI, P TP).....	794
TRANSMISSION PUMP LINES (IVT).....	1131	VENT, FUEL.....	638
TRANSMISSION PUMP LINES (PST).....	1130	VENT, ROCKER ARM.....	624
TRANSMISSION PUMP (IVT).....	1131	VENT, ROCKER ARM LINES.....	624
TRANSMISSION PUMP (PST).....	1130		
TRANSMISSION REAR COVER KIT.....	856		
TRANSMISSION REAR COVER KIT (PST).....	856	W	
TRANSMISSION WIRING HARNESS (IVT)(1/2).....	664	WAGON HITCH BRACKETS.....	1192
TRANSMISSION WIRING HARNESS (IVT)(2/2).....	666	WAGON HITCH CONTROLS.....	1208
TRANSMISSION WIRING HARNESS (PST)(1/2).....	668	WAGON HITCH COUPLER (EUROPEAN VERSION).....	1198
TRANSMISSION WIRING HARNESS (PST)(2/2).....	670	WAGON HITCH COUPLING/MANUAL (EUROPEAN VERSION).....	1198
TRAY.....	1352	WASHER KIT, WINDSHIELD AND REAR.....	1333
TRAY, STORAGE.....	811	Water in Fuel Sensor.....	72, 154, 236, 318, 400, 456, 512, 568
Tube, Oil Dipstick.....	158, 460	Water Pump.....	68, 150, 232, 314, 396, 452, 508, 564
Turbocharger.....	96, 178, 260, 342, 426, 482, 538, 594	Water Pump Cover.....	91, 173, 255, 337
Turbocharger Oil Lines.....	96, 178, 260, 342, 426, 482, 538, 594	Water Pump Inlet.....	420, 476, 532, 588
TURBO HEAT SHIELDS (REAR).....	1296	Water Pump Kit.....	105, 187, 269, 351
TURBO INLET HOSE (TRAILER BRAKE).....	626	Water Pump Repair Kit.....	105, 128, 187, 210, 269, 292, 351, 374
TURBO SHIELD/HOOD SUPPORTS (REAR).....	1296	WATER SEPARATOR.....	640
Turbo Speed Sensor.....	96, 178, 260, 342	WATER VALVE.....	1312
		WATER VALVE (ATC).....	1314
U		WEATHERPACK CONNECTOR.....	648
UNIVERSAL JOINT.....	1046	WEATHERPACK TERMINAL.....	648
UNIVERSAL JOINT, STEERING.....	1048	WEATHERPACK TERMINALS AND CONNECTORS.....	648
UNIVERSAL JOINT, STEERING (AUTOTRAC).....	1046	WEIGHTS FOR CAST AND HEAVY CAST REAR WHEELS.....	1275
UPHOLSTERY.....	738, 1350	WEIGHTS FOR CAST WHEELS.....	1276
UPPER CONTROL ARM.....	1012	WEIGHTS FOR STEEL DISK WHEELS.....	1277
UPPER CONTROL ARM (ILS).....	1012	WEIGHTS, FRAME (NORTH AMERICAN VERSION).....	1297
UPPER OIL LINES (AUTOTRAC).....	1408	WEIGHTS, STEEL DISK WHEEL.....	1277
UPPER RADIATOR HOSE.....	606	WEIGHT SUPPORT (NORTH AMERICAN VERSION).....	1297
U-JOINT ASSEMBLY (ILS).....	1008	WHEELS, CAST REAR (HEAVY DUTY).....	1266
U-JOINT ASSEMBLY (1500 MFWD).....	958	WHEELS, CAST REAR (NAV).....	1264
		WHEELS, FRONT (ILS/1500 MFWD) (DUALS) (10 BOLT 8 POSITION).....	1260
V		WHEELS, FRONT (MFWD) (12 BOLT) (16-POSITION) (WITH DUAL).....	1263
VALVE.....	1043	WHEELS, FRONT (MFWD) (12 BOLT) (2-POSITION) (EUROPEAN VERSION).....	1262
VALVES, PTO.....	924	WHEELS, STEEL DISK REAR (10-BOLT HUB) (HEAVY DUTY).....	1268
VALVE BRACKET (AUTOTRAC).....	1416	WHEEL ANGLE SENSOR.....	948
Valve Cover.....	56, 138, 220, 302, 384, 440, 496, 552	WHEEL ANGLE SENSOR (1300 MFWD).....	1409
VALVE FITTINGS, SPLINED COUPLERS AND MOUNTING BRACKET.....	1416	WHEEL ANGLE SENSOR (1500 MFWD).....	948
VALVE, STEERING.....	1043	WHEEL HUB (ILS).....	1010
VALVE, AIR BRAKE AIR CONTROL (EUROPEAN VERSION).....	1090	WHEEL HUB (MFWD) (1500 MFWD).....	956
VALVE, AIR BRAKE AIR CONTROL (NORTH AMERICAN VERSION).....	1088	WHEEL SLEEVES CAST REAR WHEELS (HEAVY DUTY).....	1266
VALVE, AIR BRAKE CONTROL.....	1082	WHEEL SLEEVES, CAST REAR WHEELS (HEAVY DUTY).....	1266
VALVE, AIR BRAKE PRESSURE CONTROL.....	1086	WHEEL SPEED SENSOR.....	672, 930
VALVE, BRAKE.....	1062	WHEEL WEIGHTS.....	1275
VALVE, BRAKE COOLING (50K/IVT/ILS).....	1122	WHEEL WEIGHTS, CAST.....	1276
VALVE, BRAKE KIT, SINGLE LINE.....	1092	WHEEL, STEERING.....	1042
VALVE, DUMP.....	1288	WINDOW, FRONT.....	1334
Valve, EGR.....	102, 184, 266, 348	WINDOW, LEFT-HAND DOOR.....	1342
VALVE, ELECTRO HYDRAULIC (EH) (AUTOTRAC).....	1410	WINDOW, REAR.....	1340
VALVE, ELECTRO-HYDRAULIC (IVT).....	892	WINDOW, RIGHT-HAND.....	1332
VALVE, ELEC-HYD PROPORTIONAL (PVE) (AUTOTRAC).....	1410	WINDSHIELD.....	1334
VALVE, EMERGENCY STEERING (PST).....	852	WINDSHIELD AND REAR WASHER KIT.....	1333
Valve, Engine Oil By-pass.....	78, 160, 242, 324, 406, 462, 518, 574	WINDSHIELD WASHER SYSTEM WITH RESERVOIR AND PUMP.....	1333
Valve, Exhaust.....	88, 170, 252, 334, 416, 472, 528, 584	WIPER, FRONT AND REAR.....	1336
		WIRING HARNESS.....	730, 732

This as a preview PDF file from [best-manuals.com](http://best-manuals.com)



Download full PDF manual at [best-manuals.com](http://best-manuals.com)