

**Axial-Flow 7230 AR
Axial-Flow 8230 AR
Axial-Flow 9230 AR
Combine**

Parts Catalog

Print No. 47519168
Issued 10/2013

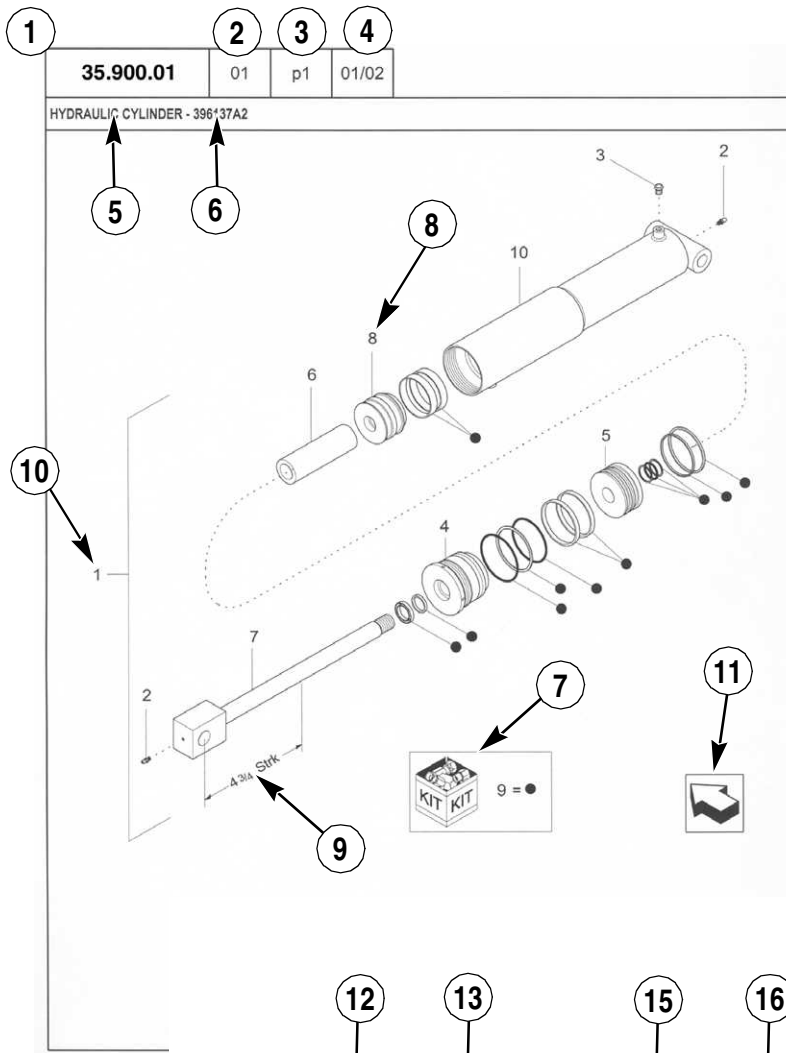


GENERAL INFORMATION

1. Whenever the terms left and right are used, it should be understood to mean from a position facing in direction of travel.
2. Throughout this manual you may find common hardware not illustrated, but listed in the description column. The service part immediately preceding a hardware listing is the part using these particular items for mounting purposes. This hardware is not included with the service part or assembly when ordered as a replacement.
3. The illustrations show typical assemblies plus individual parts but in all cases may not show the exact shape or detail of parts required. However, the purpose for the illustrations is to identify parts performing like functions. Whenever possible illustrations are located at the beginning of each section or immediately adjacent to the applicable text.
4. CNH America LLC is continually striving to improve its products. We must, therefore, reserve the right to make improvements or changes when it becomes practical and possible to do so, without incurring any obligation to make changes or additions to the equipment sold previously.

CNH America LLC, Racine, WI 53404 U.S.A.

How to Use Your Parts Catalog



1	2	3	4
35.900.01	01	p1	01/02
HYDRAULIC CYLINDER - 396137A2			
8	12	13	15
REF	FN	PART NUMBER	YR/SN
1	1	396137A2	BTW 01/85 & 02/02
2		31-95	Before 01/85
2		219-8	From 01/85
3		{402475A2}	
4		402474A1	
5		402468A1	BSN JJC0189200
5		145221C3	ASN JJC0189200
6		402471A1	
7		402473A1	
8		402469A1	
9		402476A1	
10		NSS	
	12	(1)	08-20
STANDARD		MODELS	

1	2	3	4
35.900.01	01	p1	01/02

HYDRAULIC CYLINDER - 396137A2

8	17
REF	DESCRIPTION
1	CYLINDER ASSY. 4-3/4 in strk, Inc 2-10
2	FITTING
2	NIPPLE, LUBE Grease, 1/4 tpr x 17/32
3	BREATHER
4	CAP CYLINDER END
5	PISTON ROD/GLAND
5	PISTON
6	SPACER
7	ROD, PISTON
8	PISTON ROD/GLAND
9	PACKAGE, SEALS
10	NOT SERVICED SEPARAT CASE ASSEMBLY

19	20
----	----

How to Use Your Parts Catalog

1. Figure Number
2. Sequence code within the Figure Number
3. Page number within the Sequence Code
4. Date of Printing (month / year)
5. Figure Description
6. General information regarding the figure
7. Parts supplied in repair kits per symbol reference
8. Figure call-out of the part number (REF)
9. Technical Specifications relating to the part indicated
10. Figure call-out includes bracketed items, the included items may also be listed in the additional description area
11. Orientation - Arrow indicates front of the machine
12. Footnote - Additional information relating to the part number. In this example, 08-20 equals another figure that this part is shown on.
13. Part Number
 - NSS = Non-serviced parts
 - Bracketed numbers = not available as service parts in this market
14. Not Available as service part in this market
15. YR/SN
 - Year
 - Before 01/85 = Part valid for production January 1985 and before
 - From 01/85 = Part valid for production from January 1985 and after
 - BTW 01/85 & 02/02 = Part valid for machines produced between January 1985 and February 2002.
 - Serial Number (P.I.N.)
 - BSN JJC0268800 = Part valid for serial number JJC0268800 and below
 - ASN JJC0268800 = Part valid for serial number JJC0268800 and above
 - BTW JJC0178000 & JJC0179000 = Part valid for serial numbers between JJC0178000 & JJC0179000
16. Total Quantity of the Part referred to in the page. The quantity can be replaced by the following indications:
 - AR = quantity as required
 - X = as required
17. Part Description
18. Additional description of the part to help confirm identification
19. Figure Notes
20. Model Number(s)

Explanation of Abbreviations

Abbreviation	Meaning
adj	adjustable
amp	ampere
AR	As required
ASN	Serial number and after / P.I.N. and after
barb	barb
blkhd	bulkhead
boss	boss
BSN	before serial number / before P.I.N
BTW	between
cc	cubic centimetre
chain	chain
cl	class
cp pt	cup point
CRS	Chrome Alloy Steel
CST	Carbon Steel
cu yd	cubic yard
deg	degree
dia	diameter
dr type	drive type
dry	dry
fc	face
fc sl	face seal
fem	female
fem PT	female pipe thread
fl	flare
ft	feet (or foot)
gal	gallon(s)
gr	grade
hd	head
hp	horsepower
ID	inside diameter

Abbreviation	Meaning
in	inch(es)
Inc.	includes
inv fl	inverted flare
K	kilo
kg	kilogram
L	litre
lb	pound(s)
lg	long
LH	left hand
LH thd	left hand thread
links	links
M	(prefix) metric thread size
m	metre
male	male
mm	millimetre
NF	National Fine
No.	number
NS	National Super Fine
OD	outside diameter
ohm	electrical unit of resistance
Or	O-ring
orifice	orifice
P	pitch
piece	piece
psi	pounds per square inch
PT	pipe thread
rd	round
rd holes	round holes
RH	right hand
RH thd	right hand thread
rpm	revolutions per minute

Explanation of Abbreviations

Abbreviation	Meaning
sl	self locking
slat	slat
spool	spool
sq	square
SST	Stainless Steel
st	self tapping
stem	stem
strk	stroke
sw	swivel
T	teeth
Teflon	Teflon
thin	thin
thk	thick
tpr	taper

Abbreviation	Meaning
tube	tube
type	type
V	volt(s)
W	watt(s)
way	way
wide	wide
X	as required
yd	yard

Dimensions

Metric and U.S. hardware dimensions do not show the numeric designations of standard coarse threads. A number following a semi colon (;) is the class or grade of hardware. A comma (,) represents the decimal point (.) used in U.S. dimensions.



TABLE OF CONTENTS

88.000.00		PICTORIAL INDEX - ACCESSORIES
88.100.AH		STOP, ASSY
33.000.00		PICTORIAL INDEX - BRAKES & CONTROLS
33.110.AP		BRAKE GEARBOX
33.110.AT	01	VALVE, HYDRAULIC, PARK - CONNECTORS
33.110.AT	02	VALVE, HYDRAULIC, PARK - COMPONENTS
33.110.BJ		HYDRAULICS - BRAKE CONTROL LINES
33.202.AF		BRAKE CALIPER
33.202.AJ	01	SERVICE BRAKE COMMAND
33.202.AJ	02	CAB, BRAKES
33.202.AK		SERVICE BRAKES
33.202.AP		HYDRAULIC TUBES - PARK VALVE
50.000.00		PICTORIAL INDEX - CAB CLIMATE CONTROL
50.104.AB		BLOWER & FILTER
50.200.AA	01	A/C COMPRESSOR AND DRIVE
50.200.AA	02	A/C COMPRESSOR AND DRIVE
50.200.AA	03	A/C COMPRESSOR
50.200.AB	01	A/C & HEATER HOSES
50.200.AB	02	A/C & HEATER HOSES
50.200.CA		EVAPORATOR, ATC AIRCO UNIT
50.200.CG	01	AIR CONDITIONING UNIT - MOUNTING GROUP
50.200.CG	02	AIRCO UNIT, ATC
50.200.CG	03	AIR CONDITIONER, MOUNTING
50.200.CG	04	AIR CONDITIONER, MOUNTING
50.200.CG	05	AIR CONDITIONER, MOUNTING, CONTROLS
50.200.CG	06	AIR CONDITIONER, MOUNTING
50.200.CG	07	AIR CONDITIONER, MOUNTING, HEATER
50.200.CG	08	AIR CONDITIONER, MOUNTING, EVAPORATOR
74.000.00		PICTORIAL INDEX - CLEANING
74.101.AC		TENSIONER
74.101.BB		ECCENTRIC AND SHAKER SHOE DRIVE
74.101.BE		SHOE DRIVE
74.110.AB		GRAIN PAN, SUPPORTS & SEALS
74.110.AD		GRAIN PAN
74.110.AO		GRAIN PAN DRIVE
74.114.AM	01	UPPER SHOE DRIVE, L.H.

TABLE OF CONTENTS

74.114.AM	02	UPPER SHOE DRIVE, R.H.
74.114.AU	01	REMOTE UPPER SIEVE ADJUSTMENT
74.114.AU	02	REMOTE UPPER SIEVE ADJUSTMENT
74.114.AY		UPPER SHAKER SHOE
74.114.AZ	01	UPPER SIEVES, NARROW
74.114.AZ	02	UPPER SIEVE, CORN - 1-5/8"
74.114.AZ	03	UPPER SIEVE, CORN - 1-5/8"
74.114.AZ	04	PRESIEVE
74.118.AA		LOWER SHOE DRIVE
74.118.AD	01	LOWER SIEVES - 1-1/8"
74.118.AD	02	LOWER SIEVES
74.118.AK		AIR DAM, LOWER SIEVES
74.118.AO		REMOTE LOWER SIEVE, ADJUSTMENT
74.130.AF		CLEANING FAN
74.130.AH		HOUSING, FAN
74.130.AJ		SHIELD, FAN BOTTOM
74.140.AQ		TAILINGS DRIVE AND AUGER
74.140.AX		ANGLE DRIVE
74.140.CM	01	SELF-LEVELING AUGER HOUSING, MAIN BODY
74.140.CM	02	SELF-LEVELING AUGER HOUSING, FRONT & REAR SEALS
74.140.CP	01	TAILINGS PROCESSOR HOUSING ASSEMBLY
74.140.CP	02	LATCH ASSEMBLY - CLEANOUT DOOR
74.420.AM		ROTOR CAGE
80.000.00		PICTORIAL INDEX - GRAIN/GRAPE STORAGE
80.101.AM		KIT, SLOW DOWN - ELEVATOR & GRAIN TANK
80.101.AN		CLUTCH ASSEMBLY, ELEVATOR HOUSING
80.101.AP	01	GRAIN ELEVATOR TENSIONER & CHAIN
80.101.AP	02	KIT, SCRAPER BLADES - ELEVATOR CHAIN
80.101.AR	01	ELEVATOR HEAD
80.101.AR	02	ELEVATOR HOUSING AND DRIVES
80.101.AR	03	ELEVATOR HOUSING AND DRIVES
80.101.AR	04	BOTTOM BOOT, CLEAN GRAIN ELEVATOR
80.101.BK	01	BUBBLE-UP AUGER
80.101.BK	02	BUBBLE-UP AUGER TANDEM GEARBOX
80.101.BO		BUBBLE-UP AUGER DRIVE
80.150.AI		GRAIN TANK - BOTTOM AND AUGERS

TABLE OF CONTENTS

80.150.AR	01	GRAIN TANK
80.150.AR	02	GRAIN TANK
80.150.AR	03	GRAIN TANK
80.150.AR	04	GRAIN TANK
80.150.AR	05	GRAIN TANK
80.150.AR	06	GRAIN TANK CORNER PANELS
80.150.BF		DIA KIT CANVAS ASSY, GRAINTANK EXT.
80.150.BG	01	EXTENSION GRAIN BIN
80.150.BG	02	EXTENSION GRAIN BIN
80.150.BG	03	EXTENSION, GRAIN BIN
80.175.AG		UNLOADING DRIVE
80.175.AK		UNLOADING CHAIN DRIVE
80.180.AP	01	UNLOADING AUGER, HORIZONTAL, 21 FT (6.4M)
80.180.AP	02	AUGER UNLOADING ASSY
80.180.AR	01	UNLOADING AUGER, GEARBOX, UPPER
80.180.AR	02	UNLOADING AUGER, GEARBOX, LOWER
80.180.AU		UNLOADING AUGER, VERTICAL
55.000.00		PICTORIAL INDEX - ELECTRICAL SYSTEMS
55.010.AJ		SENSOR
55.010.AJ		SENSOR
55.010.AJ		SENSOR
55.010.AP		SENSOR
55.010.AP		SENSOR
55.012.AA		SENSOR
55.012.AA		SENSOR
55.012.AA		SENSOR
55.013.AA		OIL LEVEL SENSOR
55.013.AA		SENSOR, LEVEL INDICATOR
55.013.AA		SENSOR, LEVEL INDICATOR
55.013.AD		SENSOR
55.013.AD		SENSOR
55.013.AD		SENSOR
55.014.AD		SENSOR
55.014.AD		SENSOR
55.014.AD		SENSOR
55.015.AA		ELECTRONIC CONTROL UNIT

TABLE OF CONTENTS

55.015.AA	01	ELECTRONIC CONTROL UNIT
55.015.AA	01	ELECTRONIC CONTROL UNIT
55.015.AA	02	TUBE, ELECTRONIC CONTROL UNIT
55.015.AA	02	TUBE, ELECTRONIC CONTROL UNIT
55.015.AB	01	ENGINE, HARNESS
55.015.AB	01	HARNESS, ENGINE
55.015.AB	01	HARNESS, ENGINE
55.015.AB	02	WIRE HARNESSES, ENGINE
55.015.AB	02	WIRE HARNESSES, ENGINE
55.015.AB	02	WIRE HARNESSES, ENGINE
55.015.AD		SENSOR
55.015.AD		SENSOR
55.015.AD		SENSOR
55.051.AD		AIRCO UNIT, ATC
55.100.AI	01	WIRE HARNESS, MAIN FRAME
55.100.AI	02	WIRE HARNESS, EXPANSION
55.100.AX	01	WIRE HARNESS, THRESHING FRAME
55.100.AX	02	WIRE HARNESS, STRAWHOOD - FRONT
55.100.BZ	01	WIRE HARNESS, STRAWHOOD - REAR
55.100.BZ	02	WIRE HARNESS, REAR, LOWER FRAME
55.101.AA	01	WIRE HARNESS, FRONT, LOWER FRAME
55.101.AA	02	WIRE HARNESS, ENGINE GEARBOX
55.130.AR		ELECTRICS ON HITCH
55.201.AE		STARTER MOTOR BREAKDOWN
55.201.AE		STARTER MOTOR BREAKDOWN
55.201.AE		STARTER MOTOR BREAKDOWN
55.201.AH	01	CONSOLE, IGNITION KEY
55.201.AH	02	DASHBOARD
55.202.AA		COLD START SYSTEM
55.202.AA		COLD START SYSTEM
55.202.AA	01	COLD START
55.202.AA	02	COLD START DEVICES
55.301.AA	01	ALTERNATOR MOUNTING
55.301.AA	01	ALTERNATOR MOUNTING
55.301.AA	01	ALTERNATOR MOUNTING
55.301.AA	02	ALTERNATOR COMPONENTS

TABLE OF CONTENTS

55.301.AA	02	ALTERNATOR COMPONENTS
55.301.AA	02	ALTERNATOR COMPONENTS
55.302.AK		BATTERY TRAY
55.302.AV		BATTERY SYSTEM
55.404.AC	01	BEACON, REAR, ROTATING
55.404.AC	02	BEACONS, CAB ROOF, ROTATING
55.404.AC	03	BEACON
55.404.BM	01	LIGHTS, REAR
55.404.BM	02	LIGHT, CAB
55.404.BO	01	SUPPORT TUBE & HINGE, L.H. REAR TAIL LIGHT PANEL
55.404.BO	02	SUPPORT TUBE & HINGE, R.H. REAR TAIL LIGHT PANEL
55.404.BS		SIDE LAMP
55.404.CL		WARNING LIGHT, L.H. PLATFORM & EXTENSIONS
55.404.CN	01	LIGHTS, SERVICE
55.404.CN	02	INSPECTION LAMP
55.404.CU		LIGHT, UNLOADING AUGER
55.421.AX		FEEDER ELECTRIC
55.423.AC		SENSOR, TAILINGS VOLUME
55.426.AA		ROTOR LOSS SENSOR
55.426.AD	01	MOISTURE SENSOR
55.426.AD	02	KIT, DIA - GRAIN FLOW/MOISTURE SENSOR
55.426.AH		GRAIN TANK ELECTRICITY
55.510.AF	01	MAIN CAB ELECTRICITY
55.510.AF	02	CAB, ELECTRONIC CONTROLS
55.510.AH	01	CAB ROOF ELECTRICAL
55.510.AH	02	CAB ROOF, ELECTRONIC CONTROLS
55.512.AA	01	ANTENNA
55.512.AA	02	ANTENNA
55.512.BL		KIT, PROPULSION HANDLE
55.518.AT	01	SYSTEM, WINDSHIELD WASHER
55.518.AT	02	WASHER PUMP
55.518.AW	01	WINDSHIELD WIPER - DOUBLE BLADE
55.518.AW	02	WIPER ARM, ASSY
55.518.AZ	01	MOTOR, WINDSHIELD WIPER
55.518.AZ	02	WIPER MOTOR
55.628.AP		MOTOR, CONCAVE ADJUSTMENT

TABLE OF CONTENTS

55.628.AQ		POTENTIOMETER, CONCAVE ADJUSTMENT
55.640.AG	01	CCM MODULES, YMIU CONTROLLER & SHAFT SPEED MONITOR
55.640.AG	02	MODULE
55.670.AN	01	ACTUATOR, SELF LEVELING
55.670.AN	02	SENSOR ASSEMBLY
55.785.AC		AUTO GUIDANCE-READY, AFS252 COMPLETING EXT
55.785.AF	01	AFS FRED II TOUCH SCREEN DISPLAY
55.785.AF	02	UNIVERSAL DISPLAY PLUS MONITOR, TOUCH SCREEN DISPLAY
55.911.AA		GPS MOUNT
10.000.00	01	PICTORIAL INDEX - ENGINE
10.000.00	02	PICTORIAL INDEX - ENGINE
10.000.00	03	PICTORIAL INDEX - ENGINE
10.001.AB	01	CYLINDER BLOCK
10.001.AB	01	CYLINDER BLOCK
10.001.AB	01	CYLINDER BLOCK
10.001.AB	02	CYLINDER, LINER
10.001.AB	02	CYLINDER, LINER
10.001.AB	02	CYLINDER, LINER
10.001.AB	02	CYLINDER, LINER
10.001.AD	01	COMPLETE ENGINE
10.001.AD	01	COMPLETE ENGINE
10.001.AD	01	COMPLETE ENGINE
10.001.AD	01	COMPLETE ENGINE
10.001.AD	02	ENGINE, FITTING
10.001.AD	02	ENGINE, FITTING
10.001.AD	02	ENGINE, FITTING
10.001.AD	03	HOOK, ENGINE
10.001.AD	03	HOOK, ENGINE
10.001.AD	03	SENSOR
10.001.AD	04	HOOK, ENGINE
10.001.AK	01	ENGINE MOUNT, FRONT
10.001.AK	02	ENGINE MOUNT, REAR
10.001.AK	03	SUPPORT, FRONT
10.001.AK	04	SUPPORT, FRONT
10.001.AK	05	FRAME, ENGINE
10.101.AA	01	CYLINDER HEAD
10.101.AA	01	CYLINDER HEAD

TABLE OF CONTENTS

10.101.AA	01	CYLINDER HEAD GASKET
10.101.AA	02	CYLINDER HEAD
10.101.AA	02	CYLINDER HEAD GASKET
10.101.AA	02	CYLINDER HEAD GASKET
10.101.AA	03	AIR BLEED PIPE
10.101.AA	03	PLUG, CYLINDER HEAD
10.101.AA	03	PLUG, CYLINDER HEAD
10.101.AA	04	PLUG
10.101.AA	04	PLUG
10.101.AB		CYLINDER HEAD & RELATED PARTS
10.101.AB		CYLINDER HEAD & RELATED PARTS
10.101.AB		CYLINDER HEAD, COVERS
10.101.AM		VALVE
10.101.AM		VALVE
10.101.AM		VALVE, GROUP
10.102.AP		OIL PAN
10.102.AP		SUMP
10.102.AP		SUMP
10.102.AW		OIL DRAIN LINES
10.102.BB		ENGINE BLOCK REAR COVER
10.102.BB		REAR COVER
10.102.BB		REAR COVER
10.103.AA		CRANKSHAFT
10.103.AA		CRANKSHAFT
10.103.AA		CRANKSHAFT
10.103.AD		GEAR, TIMING CONTROL
10.103.AD		IDLER GEAR
10.103.AD		IDLER GEAR
10.103.AG		PULLEY, CRANKSHAFT
10.103.AG		PULLEY, CRANKSHAFT
10.103.AG	01	PULLEY, CRANKSHAFT
10.103.AG	02	PULLEY DRIVE
10.103.AH		ENGINE FLYWHEEL
10.103.AH		FLYWHEEL
10.103.AH		FLYWHEEL
10.103.AL		CRANKSHAFT, SEAL

TABLE OF CONTENTS

10.103.AL		RETAINER, CRANKSHAFT
10.103.AL		RETAINER, CRANKSHAFT
10.105.AB	01	CONNECTING ROD
10.105.AB	01	CONNECTING ROD
10.105.AB	01	CONNECTING ROD
10.105.AB	02	PISTON
10.105.AB	02	PISTON
10.105.AB	02	PISTON RING, PISTON, PISTON PIN
10.106.AG		CAMSHAFT
10.106.AG		CAMSHAFT
10.106.AG		TIMING CONTROL , COMPONENTS
10.106.AO		ROCKER ARM
10.106.AO		ROCKER ARM
10.106.AO		SHAFT & ROCKER ARMS
10.110.AD		DAMPER
10.110.AD		DAMPER
10.110.AD		DAMPER, CRANKSHAFT
10.114.AH		PTO
10.114.AH		PTO
10.120.AA		BRAKE VALVE
10.120.AA		BRAKE VALVE
10.120.AA		ENGINE BRAKE
10.202.AB		AIR CLEANER & FILTERS - ENGINE
10.202.BD	01	AIR INTAKE, ENGINE
10.202.BD	02	AIR INTAKE, ENGINE
10.206.AF	01	FUEL FILTER W/WATER SENSOR
10.206.AF	02	SUPPORT, FUEL FILTER
10.206.AG		FUEL FILTER
10.206.AG		FUEL FILTER
10.206.AG		FUEL FILTER
10.206.AO		FUEL PRE-FILTER
10.206.AP		FUEL FILTER, BRACKET
10.210.AO		FUEL SYSTEM, PUMP AND FILTER
10.210.AO	01	FUEL SYSTEM, PUMP AND FILTER
10.210.AO	01	FUEL SYSTEM, PUMP AND FILTER
10.210.AO	02	FUEL SYSTEM, PUMP AND FILTER

TABLE OF CONTENTS

10.210.AO	02	FUEL SYSTEM, PUMP AND FILTER
10.216.AI	01	TANK, MAIN FUEL
10.216.AI	02	FUEL SYSTEM
10.216.AI	03	FUEL SYSTEM
10.218.AA		INJECTION PIPE
10.218.AF		FUEL SYSTEM INJECTOR
10.218.AF		FUEL SYSTEM INJECTOR
10.218.AF		INJECTORS
10.218.AT	01	FUEL PUMP
10.218.AT	01	FUEL PUMP
10.218.AT	01	INJECTION PIPE
10.218.AT	02	FUEL LINE
10.218.AT	02	FUEL LINE
10.218.AT	02	FUEL LINE
10.218.AT	03	TUBE, PUMP TO FILTER
10.218.AT	03	TUBE, PUMP TO FILTER
10.218.AT	04	TUBE, FILTER TO CYLINDER HEAD
10.218.AT	04	TUBE, FILTER TO CYLINDER HEAD
10.218.AT	05	RETURN PIPE, PUMP
10.218.AT	05	RETURN PIPE, PUMP
10.218.AT	06	RETURN
10.218.AT	06	RETURN
10.218.AU		PRESSURE RELIEF VALVE
10.218.AU		PRESSURE RELIEF VALVE
10.250.AC		TURBOCHARGER
10.250.AC		TURBOCHARGER
10.250.AC	01	TURBOCHARGER
10.250.AC	02	TURBO WATER INLET PIPE
10.250.AC	03	TURBO WATER OUTLET PIPE
10.250.AD		TURBO OIL INLET PIPE
10.250.AD		TURBOCHARGER LINE
10.250.AD		TURBOCHARGER LINE
10.250.AE		TURBO OIL OUTLET PIPE
10.250.AE		TURBOCHARGER LINE
10.250.AE		TURBOCHARGER LINE
10.254.AC		EXHAUST MANIFOLD

TABLE OF CONTENTS

10.254.AC		EXHAUST MANIFOLD
10.254.AC		EXHAUST MANIFOLD
10.254.AI	01	MUFFLER & EXHAUST
10.254.AI	02	MUFFLER & EXHAUST
10.254.AM		INLET MANIFOLD
10.254.AM		MANIFOLD
10.254.AM		MANIFOLD
10.304.AC		OIL PUMP
10.304.AC		OIL PUMP
10.304.AC		OIL PUMP
10.304.AE		OIL FILTER
10.304.AE	01	OIL FILTER
10.304.AE	01	OIL FILTER
10.304.AE	02	SUPPORT, OIL FILTER
10.304.AE	02	SUPPORT, OIL FILTER
10.304.AF		OIL LINE
10.304.AF		OIL LINE
10.304.AF		OIL LINE
10.304.AL		FILTER STRAINER
10.304.AL		FILTER STRAINER
10.304.AL		OIL INLET PIPE
10.304.AM		OIL PRESSURE VALVE
10.304.AM		REGULATOR
10.304.AM		REGULATOR
10.304.AP		BREATHER
10.304.AP		BREATHER
10.304.AP		BREATHER, ENGINE
10.304.AR		LUBE OIL JET NOZZLE
10.304.AR		LUBE OIL JET NOZZLE
10.304.AR		PISTON OIL NOZZLE
10.304.AS		DIPSTICK, OIL
10.304.AS	01	OIL FILL & DIPSTICK
10.304.AS	01	OIL FILL & DIPSTICK
10.304.AS	02	DIPSTICK
10.304.AS	02	DIPSTICK
10.310.AF	01	CHARGE AIR CIRCUIT

TABLE OF CONTENTS

10.310.AF	02	CHARGE AIR CIRCUIT
10.400.AE		COOLANT HEATER
10.400.AE		COOLANT HEATER
10.400.AE	01	HEATING WATER INLET
10.400.AE	02	COOLANT HEATER
10.400.AP		WATER TUBE
10.400.AP		WATER TUBE
10.400.AP	01	COOLANT LINES
10.400.AP	02	COOLANT LINES
10.400.BB		WATER PUMP
10.400.BB		WATER PUMP
10.400.BB		WATER PUMP
10.400.BC		THERMOSTAT VALVE
10.400.BC		THERMOSTAT VALVE
10.400.BC	01	TEMPERATURE REGULATOR BODY
10.400.BC	02	THERMOSTAT
10.400.BF	01	FRAME & COOLERS
10.400.BF	02	FRAME & COOLERS
10.400.BF	03	PLATFORM & FAN BLADE, COOLING BOX
10.400.BF	04	PLATFORM & FAN BLADE, COOLING BOX
10.400.BH	01	COOLANT LINES
10.400.BH	02	COOLANT LINES
10.408.AC		HEAT EXCHANGER
10.408.AC		HEAT EXCHANGER
10.408.AC		WATER-OIL HEAT EXCHANGER
10.414.AC	01	FAN SHROUD
10.414.AC	02	FAN SHROUD
10.414.AC	03	FAN DRIVE - ENGINE
10.414.AC	04	FAN HUB - KIT
10.414.AC	05	FAN DRIVE - ENGINE
10.414.AC	06	FAN HUB - KIT
10.418.AA		DUST SCREEN
10.418.AK	01	DUST SCREEN MOUNTING, METAL
10.418.AK	02	DUST SCREEN MOUNTING, METAL
10.418.BI	01	DOOR, METAL DUST SCREEN
10.418.BI	02	DOOR, METAL DUST SCREEN

TABLE OF CONTENTS

10.450.AA		AIR COMPRESSOR
10.450.AA	01	COMPRESSOR, AIR
10.450.AA	02	COMPRESSOR, AIR
10.450.AE	01	DIA KIT, AIR COMPRESSOR
10.450.AE	02	DIA KIT, AIR COMPRESSOR
10.450.AE	03	DIA KIT, AIR COMPRESSOR
10.450.AE	04	DIA KIT, AIR COMPRESSOR
10.450.AG		COMPRESSOR WATER INLET AND OUTLET PIPE
10.450.AG		PLUG
10.450.AG		PLUG
39.000.00		PICTORIAL INDEX - FRAMES
39.100.AB	01	FRAME, SELF-LEVELING
39.100.AB	02	FRAME, LOWER & PIVOT, CLEANING SHOE, SELF-LEVELING
39.100.AB	03	BRACKETS, FRONT SUPPORTING
39.101.AC	01	FRAME, THRESHING
39.101.AC	02	FRAME, THRESHING
39.110.AM		HITCH, TRAILER
25.000.00		PICTORIAL INDEX - FRONT MECHANICAL DRIVE
25.108.AA	01	HALF-SHAFTS WITHOUT EXTENSIONS
25.108.AA	02	HALF-SHAFTS WITHOUT EXTENSIONS
25.108.AB		FINAL DRIVE, PLANETARY
25.108.AC		FINAL DRIVE, STANDARD
25.310.AB		FINAL DRIVE, STANDARD
25.400.AD		DIA, HARVEST KITS, FRONT AXLE EXTENSION
25.400.AM	01	FRONT AXLE
25.400.AM	02	SHIELD, FRONT AXLE
35.000.00		PICTORIAL INDEX - HYDRAULIC SYSTEMS
35.106.AD		PUMP, HYDRAULIC, PFC
35.106.AN		PUMP, HYD. ROTOR
35.106.AO	01	HYDRAULICS LINES, PTO 3 (PTO REGULATOR VALVE)
35.106.AO	02	HYDRAULIC LINES, PTO
35.106.AO	03	HYDRAULIC LINES, PTO
35.106.AO	04	HYDRAULIC LINES, PTO 2
35.220.AA	01	PUMP, TRIPLE GEAR
35.220.AA	02	PUMP, HYD. FEEDER
35.220.AA	03	MOTOR, HEADER - FEEDER

TABLE OF CONTENTS

35.220.AA	04	MOTOR, HYDRAULIC - SPREADER W/ DRAIN
35.220.AA	05	MOTOR, HYDRAULIC - SPREADER W/ DRAIN
35.300.AD		RESERVOIR - HYDRAULIC, WITH HOSES AND SUPPORTS
35.300.AE	01	VALVE, HYDRAULIC PTO/CHARGE REGULATOR - CONNECTORS
35.300.AE	02	VALVE, HYDRAULIC PTO/CHARGE REGULATOR - COMPONENTS
35.300.AN		FILTERS AND MAIN STACK VALVE
35.300.AQ		RESERVOIR - OIL, HYDRAULIC
35.300.BQ		ACCUMULATOR - RIDE CONTROL
35.322.BF		MANIFOLD, CHARGE PRESSURE
35.359.AB	01	VALVE, FEEDER LIFT
35.359.AB	02	VALVE, FEEDER/HEADER LIFT CONTROL
35.359.AB	03	VALVE, FEEDER STACK W/ LATERAL TILT
35.359.AB	04	VALVE, LATERAL TILT, COMPONENTS
35.359.AB	05	VALVE, FEEDER STACK & LATERAL TILT
35.359.AB	06	VALVE, HYDRAULIC - MAIN STACK
35.359.AB	07	CONNECTORS, VALVE, FEEDER STACK - W/LATERAL TILT
35.359.AE	01	HYDRAULICS - MAIN LINES
35.359.AE	02	HYDRAULICS - FEEDER STACK VALVE
35.440.AB		UNLOADER SWING CYLINDER AND LINES
35.440.AC		HYDRAULIC CYLINDER, UNLOADING AUGER, SWING
35.536.AA		KIT, HEAVY DUTY FEEDER LIFT
35.536.AB		HYDRAULICS - FEEDER LIFT
35.536.AJ		MOTOR, HYDRAULIC - ROTOR
35.780.AD		CVT FEEDER/HEADER DRIVE
35.794.AJ		CLEANING FAN DRIVE MOUNTING
35.796.AF	01	SPREADER CONTROL VALVE, MOUNT
35.796.AF	02	SPREADER CONTROL VALVE, CONNECTORS
35.796.AF	03	SPREADER CONTROL VALVE, COMPONENTS
35.904.AD		VALVE, CLEANING FAN
35.904.AF	01	HYDRAULICS - SPREADER AND ROTARY SCREEN DRIVE
35.904.AF	02	HYDRAULICS - SPREADER AND ROTARY SCREEN DRIVE
35.904.AF	03	HYDRAULIC LINES - CLEANING FAN DRIVE
35.904.AF	04	HYDRAULIC TUBES - ENGINE COMPARTMENT
35.910.AK		VALVE, REEL DRIVE
29.000.00		PICTORIAL INDEX - HYDROSTATIC TRANSMISSION
29.100.AH		HYDROSTATIC TRANSMISSION

TABLE OF CONTENTS

29.204.AH		FILTER ASSY - HYDRO CHARGE
29.218.AH		HYDROSTATIC MOTOR, 107CC OR 125CC
29.218.AO		PUMP, PROPULSION - 125CC
29.300.AP		PLUGS, LESS POWERED REAR AXLE
31.000.00		PICTORIAL INDEX - IMPLEMENT POWER TAKE-OFF
31.142.AI		VALVE, HYDRAULIC
31.146.AB		SHAFT, CLUTCH PTO
005.000.01		DEALER INITIAL STOCKING LIST (ISL)
005.000.02	01	BELTS & CHAINS - RIGHT SIDE
005.000.02	02	BELTS & CHAINS - RIGHT SIDE
005.102.01		FIRE EXTINGUISHER
14.000.00		PICTORIAL INDEX - LIVE PTO
14.100.AR	01	PTO, ROTOR VARIATOR ASSY, ENGINE GEARBOX
14.100.AR	02	PTO, CLUTCH
14.100.AR	03	PTO, VALVE - CLUTCH CONTROL
14.100.AR	04	PTO, OUTPUT GEARS, ENGINE GEARBOX
14.100.AR	05	PTO, COVERS, OUTPUT GEARS, ENGINE GEARBOX
14.100.AR	06	PTO, CLUTCHES & VALVES, ENGINE GEARBOX
14.100.AR	07	MANIFOLD, DRAIN
14.100.AR	08	PTO, VALVES & TUBES, ENGINE GEARBOX
90.000.00	01	PICTORIAL INDEX - PLATFORM, CAB, BODYWORK AND DECALS, CAB
90.000.00	02	PICTORIAL INDEX - PLATFORM, CAB, BODYWORK AND DECALS
90.000.00	03	PICTORIAL INDEX - PLATFORM, CAB, BODYWORK AND DECALS
90.100.AU	01	ENGINE, COVERS
90.100.AU	02	ENGINE, COVERS
90.100.AU	03	ENGINE, COVERS
90.105.AB	01	SHIELDS, LOWER, L.H.
90.105.AB	02	SHIELDS, LOWER, R.H
90.105.BH	01	PANEL, SIDE - FRONT; L.H. & R.H.
90.105.BH	02	PANEL, SIDE - REAR; R.H.
90.105.BH	03	PANEL, SIDE - REAR; L.H.
90.105.BH	04	SUPPORT TUBE & HINGE, L.H. SIDE UPPER PANEL
90.105.BH	05	SUPPORT TUBE & HINGE, R.H. SIDE REAR UPPER PANEL
90.105.BH	06	SUPPORT TUBE & HINGE, L.H. SIDE REAR PANEL
90.105.BV		SHIELDS, UPPER REAR
90.105.CI	01	PANEL, REAR

TABLE OF CONTENTS

90.105.CI	02	AIR DUCT, ASSY
90.108.AB		DECALS - MODEL & BRAND
90.108.AC	01	DECALS
90.108.AC	02	DECALS
90.108.AC	03	DECALS
90.108.AC	04	DECALS
90.118.AC	01	PLATFORM, RH
90.118.AC	02	EXTENSION, PLATFORM
90.118.AE	01	LADDER, PLATFORM
90.118.AE	02	HANDRAIL, PLATFORM
90.118.AX		HANDRAIL, REAR
90.118.BL	01	PLATFORM, REAR
90.118.BL	02	PLATFORM, REAR
90.118.BL	03	ARM, REAR DECK LADDER
90.118.BM		REAR VIEW MIRROR, STANDARD
90.124.AE	01	SEAT COMPONENTS, OPERATOR (NON-HEATED)
90.124.AE	02	SEAT SUSPENSION
90.124.AE	03	SEAT, OPERATOR
90.124.AE	04	DRIVER SEAT
90.124.AE	05	DRIVER SEAT, MOUNTING
90.124.AJ	01	SEAT SUPPORT
90.124.AJ	02	DRIVER SEAT, ASSY
90.150.AC	01	CAB FRAME
90.150.AC	02	FRAME, ASSY
90.150.BG	01	CAB ROOF
90.150.BG	02	SPEAKER
90.150.BG	03	ROOF, MOUNTING
90.150.BI		CAB, MOUNTING
90.150.BJ	01	CAB, SKIRT
90.150.BJ	02	SHIELD & BRACKET, FRONT L.H.
90.150.BJ	03	SHIELD & BRACKET, FRONT R.H.
90.151.AC	01	SEAT COMPONENTS, INSTRUCTIONAL
90.151.AC	02	SEAT, INSTRUCTIONAL
90.151.AC	03	SEAT
90.151.AC	04	SEAT
90.151.AN	01	CONSOLE, R.H., TOUCH SCREEN DISPLAY

TABLE OF CONTENTS

90.151.AN	02	CONSOLE, MOUNTING
90.151.AN	03	CONSOLE, ASSY
90.151.AN	04	DISPLAY, SUPPORT
90.151.AN	05	ARMREST
90.151.AN	06	HANDLE, ASSY
90.151.AP		CONSOLE AND CONTROLS, R.H.
90.154.AA	01	CAB DOOR, LH
90.154.AA	02	CAB DOOR, RH
90.154.AA	03	DOOR, RH
90.154.AA	04	DOOR, LH
90.154.AA	05	DOOR HANDLE
90.154.AC		DOOR HANDLE, ASSY
90.160.AH	01	PANEL, REAR, UPPER, CAB INTERIOR
90.160.AH	02	PANEL, REAR, LOWER
90.160.AH	03	TRIM PANEL, CAB
60.000.00		PICTORIAL INDEX - PRODUCT FEEDING
60.105.AB	01	CHAIN ASSY AND FEEDER SLATS, NON STONE TRAP
60.105.AB	02	CHAIN ASSY AND FEEDER SLATS, STONE TRAP
60.110.AA	01	LATERAL TILT FEEDER, PIVOT FRONT FACE HARDWARE
60.110.AA	02	LATERAL TILT FEEDER ADAPTER
60.110.AD	01	FEEDER FRAME
60.110.AD	02	FEEDER FRAME
60.110.AD	03	FEEDER HOUSING AND SHIELDS
60.110.AF	01	FEEDER FLOOR AND CHAINS, NON STONE TRAP
60.110.AF	02	FEEDER FLOOR AND CHAINS, NON STONE TRAP
60.110.AF	03	FEEDER FLOOR AND CHAINS, STONE TRAP
60.110.AF	04	FEEDER FLOOR AND CHAINS, STONE TRAP
60.110.AS		FEEDER FRONT ROLLER
60.150.AO	01	DRIVE SHAFT, FEEDER/HEADER
60.150.AO	02	DRIVE SHAFT, LOWER - FEEDER/HEADER
60.150.AO	03	DRIVE SHAFT, LOWER - FEEDER/HEADER
60.150.AO	04	DRIVE SHAFT, UPPER - FEEDER/HEADER
60.150.AO	05	FEEDER - CONVEYOR JACKSHAFT
60.150.AO	06	PIVOT SHAFT, FEEDER/HEADER
60.150.AU	01	FEEDER - GEARBOX ASSY
60.150.AU	02	GEARBOX, FEEDER/HEADER, W/PTO

TABLE OF CONTENTS

60.150.AU	03	GEARBOX, FEEDER CONVEYOR DRIVE, NON STONE TRAP
60.150.AU	04	GEARBOX, FEEDER CONVEYOR DRIVE, STONE TRAP
60.150.AU	05	GEARBOX, HEADER/FEEDER, VARIABLE SPEED, OUTPUT HALF
60.150.AU	06	GEARBOX, HEADER/FEEDER, VARIABLE SPEED, OUTPUT HALF
60.150.AU	07	GEARBOX, HEADER/FEEDER, VARIABLE SPEED, INPUT HALF
27.000.00		PICTORIAL INDEX - REAR DRIVE AXLE
27.450.AH		CENTRAL STEERING BRIDGE, POWERED & HEAVY DUTY,
27.550.AM		STANDARD STEERING AXLE SPINDLES
73.000.00		PICTORIAL INDEX - STRAWCHOPPER
73.210.AB		TENSIONER - STRAWCHOPPER
73.210.AD		STRAWCHOPPER DRIVE - PULLEYS AND BELTS
73.210.AW	01	STRAWCHOPPER SINGLE DRIVE
73.210.AW	02	STRAWCHOPPER DOBLE DRIVE
73.230.AJ		STRAWCHOPPER, STANDARD AND FINE
73.230.AM		KNIFE FRAME, FIXED
73.230.AQ	01	STRAW HOOD, FRAME
73.230.AQ	02	DOOR, STRAW HOOD
73.230.AQ	03	DEFLECTOR, STRAW HOOD
73.230.AQ	04	BRACKETS & HINGE, R.H. LOWER
73.335.AB	01	DIA HARVEST KIT, STRAW SPREADER SUPPORT & DEFLECTORS
73.335.AB	02	SPREADER, UPPER
73.335.AB	03	SPREADER, LOWER, W/FINGER BAR DISTRIBUTOR
73.335.AK	01	OSCILLATING CHAFFER PAN
73.335.AK	02	OSCILLATING CHAFFER PAN
41.000.00		PICTORIAL INDEX - STEERING
41.101.AB	01	STEERING COLUMN, EXTERNAL COMPONENTS
41.101.AB	02	STEERING COLUMN, ASSY
41.101.AE		STEERING COLUMN, INTERNAL COMPONENTS
41.200.AO		STEERING LINES
41.200.CA	01	STEERING CONTROL VALVE
41.200.CA	02	STEERING CONTROL VALVE, MOUNTING
41.200.CA	03	PUMP, STEERING ASSY
41.216.AN		STEERING CYLINDER
66.000.00		PICTORIAL INDEX - THRESHING
66.101.AP		TRANSITION CONE
66.101.AR		FEEDPLATE

TABLE OF CONTENTS

66.105.AK	01	CONCAVES, SLOTTED
66.105.AK	02	CONCAVE WITH ROUND BARS - HT
66.105.AK	03	CONCAVES, ROUND BAR CORN/BEAN
66.105.AO	01	CONCAVES, SMALL GRAIN
66.105.AO	02	CONCAVES, CORN / BEAN
66.105.AO	03	CONCAVES, CORN/BEAN - SKIP WIRE
66.112.AA		DIA HARVEST KIT, STONE TRAP SUMP COVER
66.260.AU	01	PTO, INPUT SHAFT, ENGINE GEARBOX
66.260.AU	02	PAN, PTO GEARBOX
66.330.AN		ROTOR
66.331.AB	01	SHIFTING COMPONENTS, ROTOR GEARBOX
66.331.AB	02	GEARBOX, ROTOR - 3 SPEED
66.331.AB	03	INPUT SHAFT & GEARS, ROTOR GEARBOX
66.331.AB	04	TRANSFER SHAFT & GEARS, ROTOR GEARBOX
66.331.AB	05	OUTPUT SHAFT & GEARS, ROTOR GEARBOX
66.331.AE		KIT, ROTOR IMPELLER
66.331.AJ	01	BEARING SUPPORT, ROTOR
66.331.AJ	02	BEARING PLATE
66.331.AJ	03	BEARING PLATE
66.360.AH	01	FRAME, SEPARATOR
66.360.AH	02	FRAME, SEPARATOR
00.000.10	01	PICTORIAL INDEX - ENGINE
00.000.10	01	PICTORIAL INDEX - ENGINE
00.000.10	01	PICTORIAL INDEX - ENGINE
00.000.10	01	PICTORIAL INDEX - ENGINE
00.000.10	02	PICTORIAL INDEX - ENGINE
00.000.10	02	PICTORIAL INDEX - ENGINE
00.000.10	02	PICTORIAL INDEX - ENGINE
00.000.10	02	PICTORIAL INDEX - ENGINE
00.000.10	02	PICTORIAL INDEX - ENGINE
00.000.10	03	PICTORIAL INDEX - ENGINE
00.000.14		PICTORIAL INDEX - LIVE PTO
00.000.21		PICTORIAL INDEX - TRANSMISSION
00.000.25		PICTORIAL INDEX - FRONT MECHANICAL DRIVE
00.000.27		PICTORIAL INDEX - REAR DRIVE AXLE
00.000.29		PICTORIAL INDEX - HYDROSTATIC TRANSMISSION
00.000.31		PICTORIAL INDEX - IMPLEMENT POWER TAKE-OFF

TABLE OF CONTENTS

00.000.33		PICTORIAL INDEX - BRAKES & CONTROLS
00.000.35		PICTORIAL INDEX - HYDRAULIC SYSTEMS
00.000.39		PICTORIAL INDEX - FRAMES
00.000.41		PICTORIAL INDEX - STEERING
00.000.44		PICTORIAL INDEX - AXLE AND WHEELS
00.000.50		PICTORIAL INDEX - CAB CLIMATE CONTROL
00.000.55		PICTORIAL INDEX - ELECTRICAL SYSTEMS
00.000.55		PICTORIAL INDEX - ELECTRICAL SYSTEMS
00.000.55		PICTORIAL INDEX - ELECTRICAL SYSTEMS
00.000.55		PICTORIAL INDEX - ELECTRICAL SYSTEMS
00.000.60		PICTORIAL INDEX - PRODUCT FEEDING
00.000.66		PICTORIAL INDEX - THRESHING
00.000.73		PICTORIAL INDEX - STRAWCHOPPER
00.000.74		PICTORIAL INDEX - CLEANING
00.000.80		PICTORIAL INDEX - GRAIN/GRAPE STORAGE
00.000.88		PICTORIAL INDEX - ACCESSORIES
00.000.90	01	PICTORIAL INDEX - PLATFORM, CAB, BODYWORK AND DECALS, CAB
00.000.90	02	PICTORIAL INDEX - PLATFORM, CAB, BODYWORK AND DECALS
00.000.90	03	PICTORIAL INDEX - PLATFORM, CAB, BODYWORK AND DECALS
05.000.00		MACHINE COMPLETION AND EQUIPMENT
MAIN		MAIN SECTIONS
21.000.00		PICTORIAL INDEX - TRANSMISSION
21.114.AL		MECHANICAL TRANSMISSION, COMPLETE
21.130.BC		MECHANICAL TRANSMISSION, GEARSHIFT CONTROL
21.130.BF		MECHANICAL TRANSMISSION, HOUSING
21.140.AE	01	MECHANICAL TRANSMISSION, DRIVE SHAFT
21.140.AE	02	MECHANICAL TRANSMISSION OUTPUT SHAFT
21.140.AE	03	MECHANICAL TRANSMISSION, INPUT SHAFT
21.182.AF	01	DIFFERENTIAL
21.182.AF	02	DIFFERENTIAL
44.000.00		PICTORIAL INDEX - AXLE AND WHEELS
44.200.15		POWERED REAR AXLE, SELECTOR VALVE
44.511.AD		KIT, DUAL WHEELS MOUNTING
44.511.AE	01	WHEELS, FRONT 900/60R32 176A8 AND 900/75R32 184A8
44.511.AE	02	WHEELS, DUAL
44.520.AB		WHEELS, REAR



SECTION INDEX

Top Level

00.000.10	01	PICTORIAL INDEX - ENGINE
00.000.10	01	PICTORIAL INDEX - ENGINE
00.000.10	01	PICTORIAL INDEX - ENGINE
00.000.10	01	PICTORIAL INDEX - ENGINE
00.000.10	02	PICTORIAL INDEX - ENGINE
00.000.10	02	PICTORIAL INDEX - ENGINE
00.000.10	02	PICTORIAL INDEX - ENGINE
00.000.10	02	PICTORIAL INDEX - ENGINE
00.000.10	03	PICTORIAL INDEX - ENGINE
00.000.14		PICTORIAL INDEX - LIVE PTO
00.000.21		PICTORIAL INDEX - TRANSMISSION
00.000.25		PICTORIAL INDEX - FRONT MECHANICAL DRIVE
00.000.27		PICTORIAL INDEX - REAR DRIVE AXLE
00.000.29		PICTORIAL INDEX - HYDROSTATIC TRANSMISSION
00.000.31		PICTORIAL INDEX - IMPLEMENT POWER TAKE-OFF
00.000.33		PICTORIAL INDEX - BRAKES & CONTROLS
00.000.35		PICTORIAL INDEX - HYDRAULIC SYSTEMS
00.000.39		PICTORIAL INDEX - FRAMES
00.000.41		PICTORIAL INDEX - STEERING
00.000.44		PICTORIAL INDEX - AXLE AND WHEELS
00.000.50		PICTORIAL INDEX - CAB CLIMATE CONTROL
00.000.55		PICTORIAL INDEX - ELECTRICAL SYSTEMS
00.000.55		PICTORIAL INDEX - ELECTRICAL SYSTEMS
00.000.55		PICTORIAL INDEX - ELECTRICAL SYSTEMS
00.000.55		PICTORIAL INDEX - ELECTRICAL SYSTEMS
00.000.60		PICTORIAL INDEX - PRODUCT FEEDING
00.000.66		PICTORIAL INDEX - THRESHING
00.000.73		PICTORIAL INDEX - STRAWCHOPPER
00.000.74		PICTORIAL INDEX - CLEANING
00.000.80		PICTORIAL INDEX - GRAIN/GRAPE STORAGE
00.000.88		PICTORIAL INDEX - ACCESSORIES
00.000.90	01	PICTORIAL INDEX - PLATFORM, CAB, BODYWORK AND DECALS,
00.000.90	02	PICTORIAL INDEX - PLATFORM, CAB, BODYWORK AND DECALS
00.000.90	03	PICTORIAL INDEX - PLATFORM, CAB, BODYWORK AND DECALS
05.000.00		MACHINE COMPLETION AND EQUIPMENT

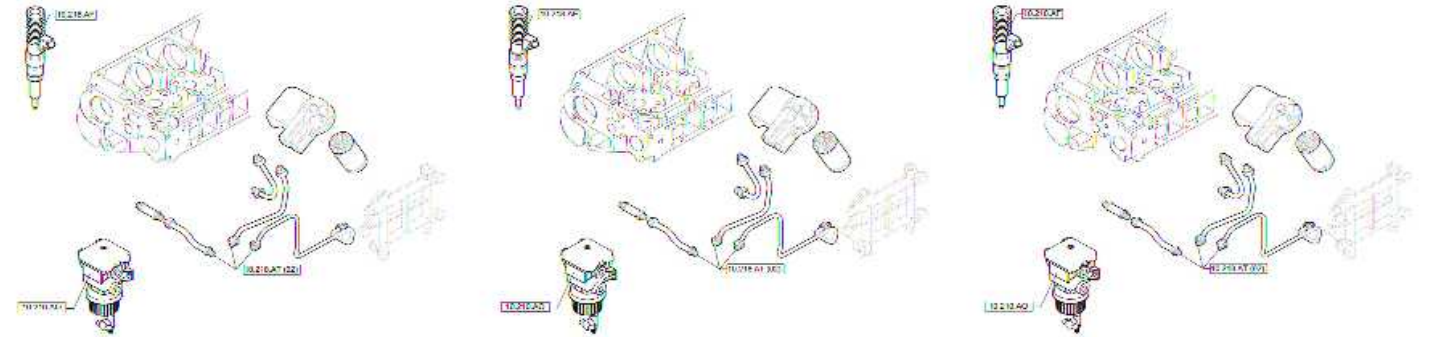
SECTION INDEX

Top Level

MAIN

MAIN SECTIONS

PICTORIAL INDEX - ENGINE



00.000.10

01

p1

10/201
3

PICTORIAL INDEX - ENGINE

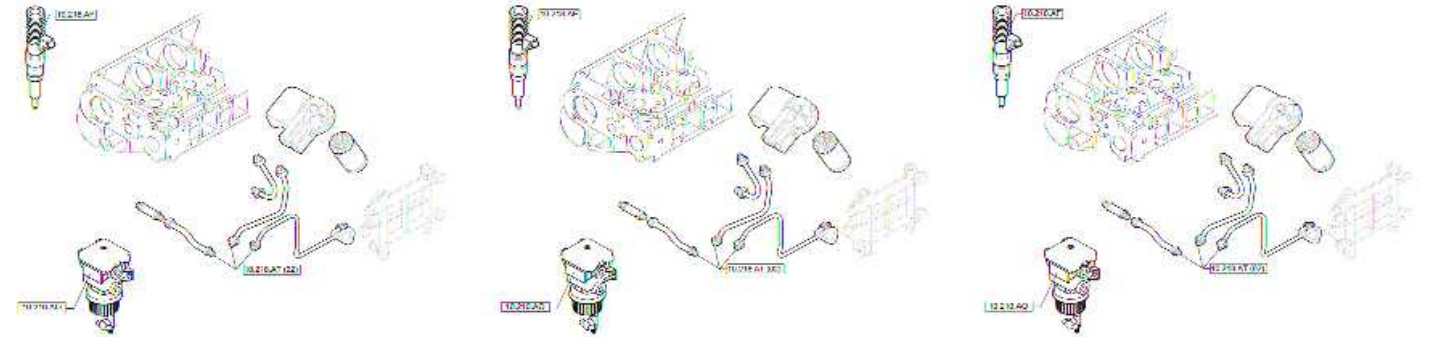
REF FN PART NUMBER

YR/SN

QTY DESCRIPTION

8230 8230 BR
F3BFA614E*D001

PICTORIAL INDEX - ENGINE



00.000.10

01

p1

10/201
3

PICTORIAL INDEX - ENGINE

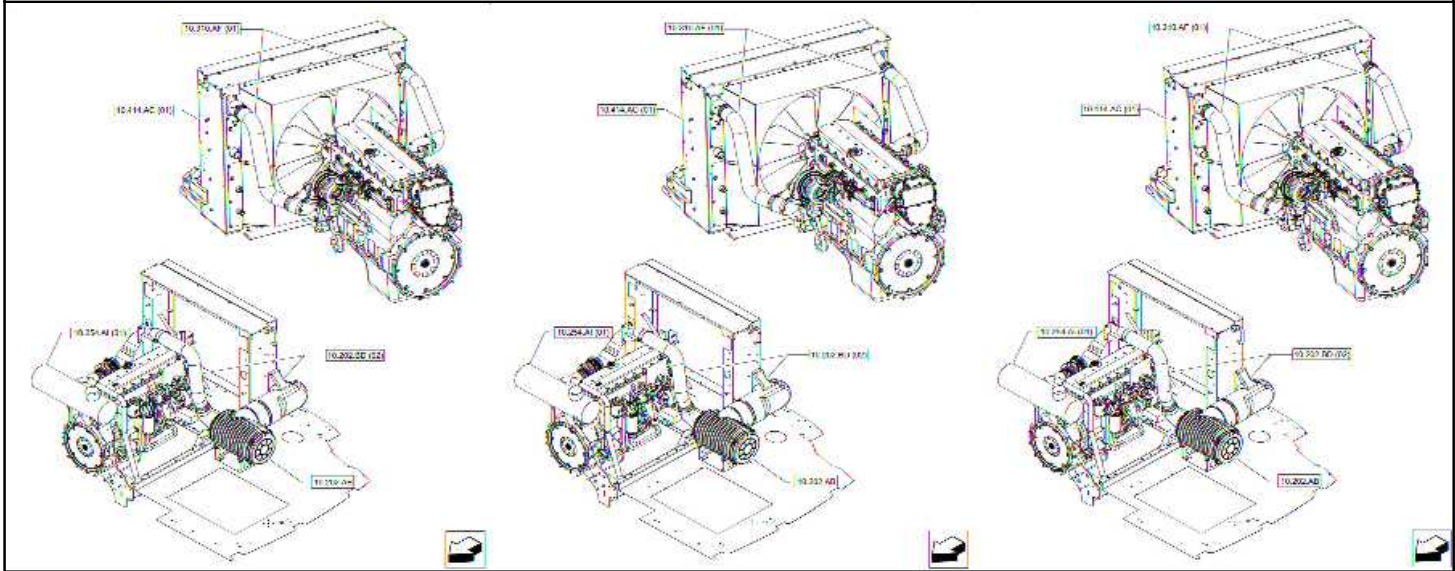
REF FN PART NUMBER

YR/SN

QTY DESCRIPTION

7230 7230 BR
F2CFA613A*E001

PICTORIAL INDEX - ENGINE



00.000.10

01

p1

10/201
3

PICTORIAL INDEX - ENGINE

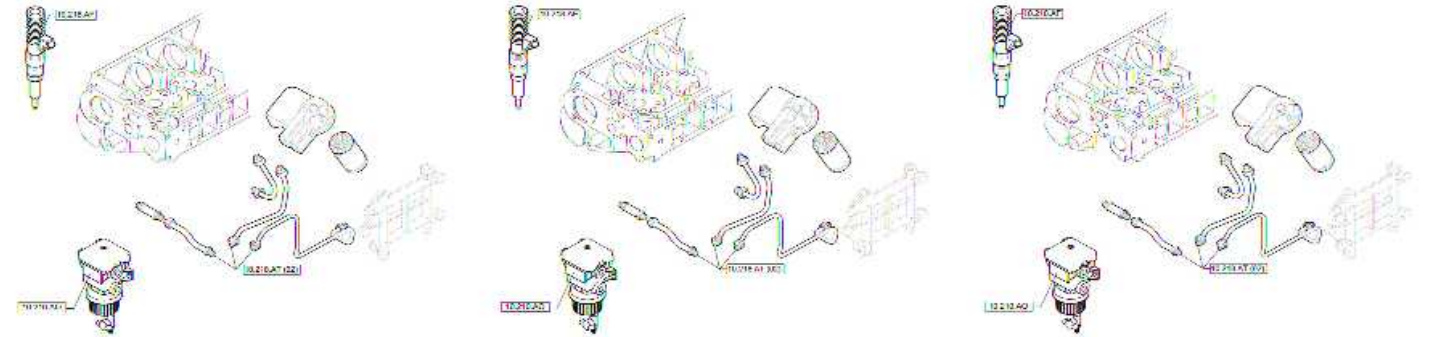
REF FN PART NUMBER

YR/SN

QTY DESCRIPTION

7230 8230 9230

PICTORIAL INDEX - ENGINE



00.000.10

01

p1

10/201
3

PICTORIAL INDEX - ENGINE

REF FN PART NUMBER

YR/SN

QTY DESCRIPTION

9230 9230 BR
F3BFA613D*D001

00.000.10

02

p1

10/201
3

PICTORIAL INDEX - ENGINE

REF FN PART NUMBER

YR/SN

QTY DESCRIPTION

9230 9230 BR
F3BFA613D*D001

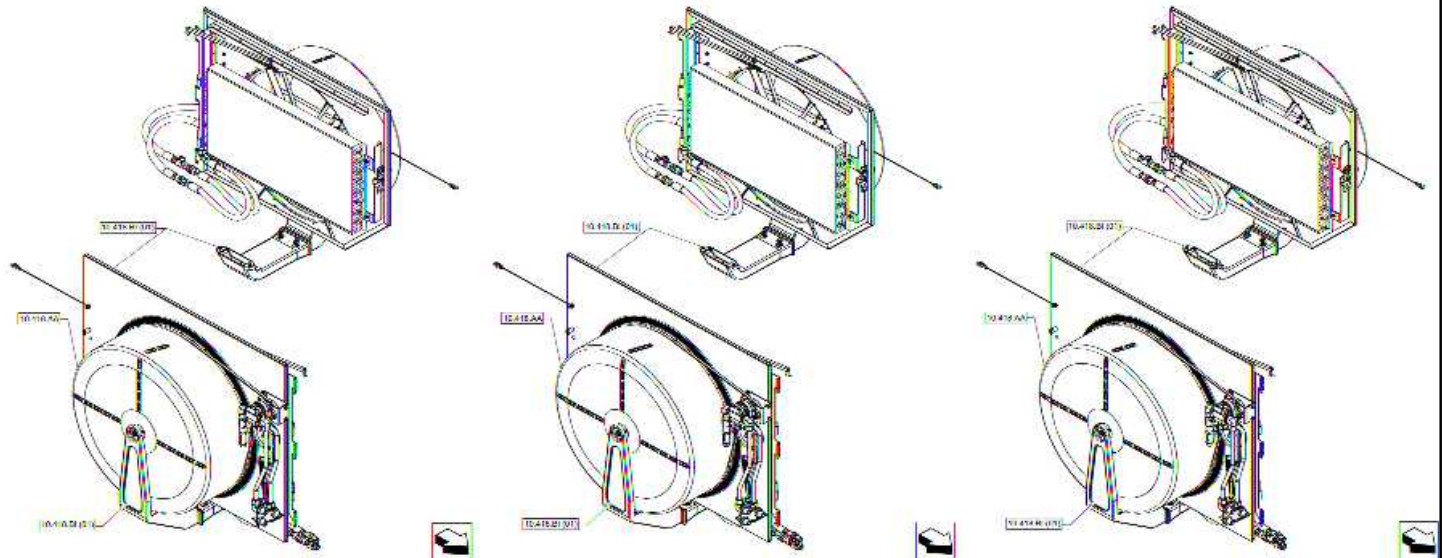
00.000.10

02

p1

10/201
3

PICTORIAL INDEX - ENGINE



00.000.10

02

p1

10/201
3

PICTORIAL INDEX - ENGINE

REF FN PART NUMBER

YR/SN

QTY DESCRIPTION

7230 8230 9230

00.000.10

02

p1

10/201
3

PICTORIAL INDEX - ENGINE

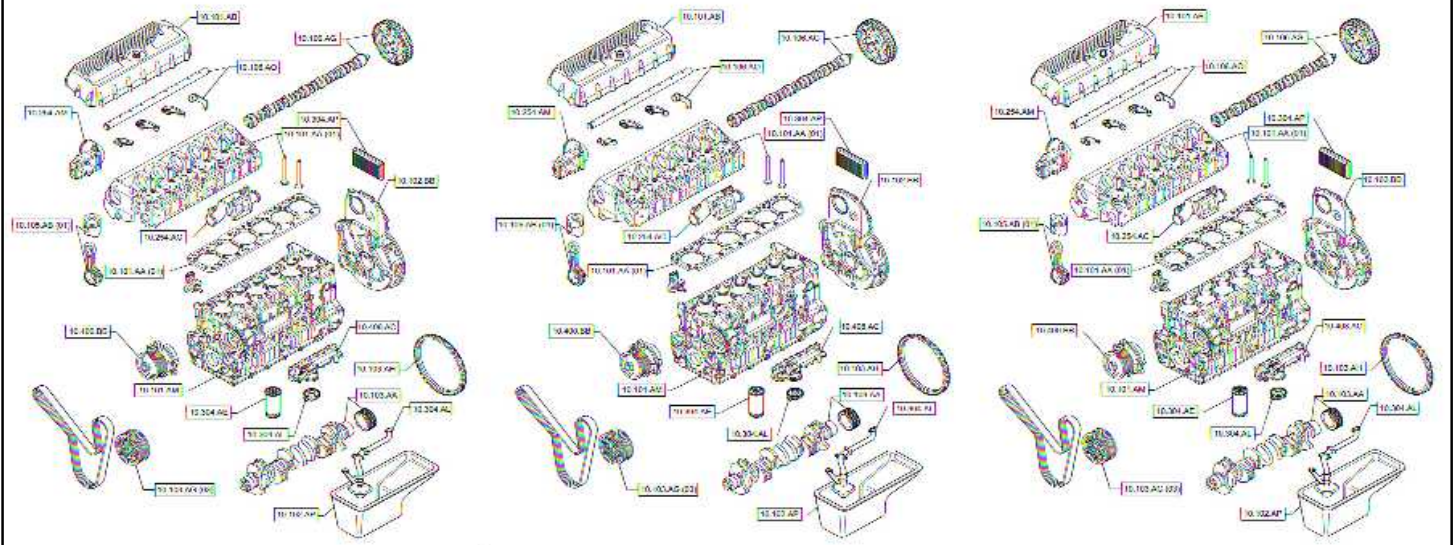
REF FN PART NUMBER

YR/SN

QTY DESCRIPTION

7230 7230 BR
F2CFA613A*E001

PICTORIAL INDEX - ENGINE



00.000.10

02

p1

10/201
3

PICTORIAL INDEX - ENGINE

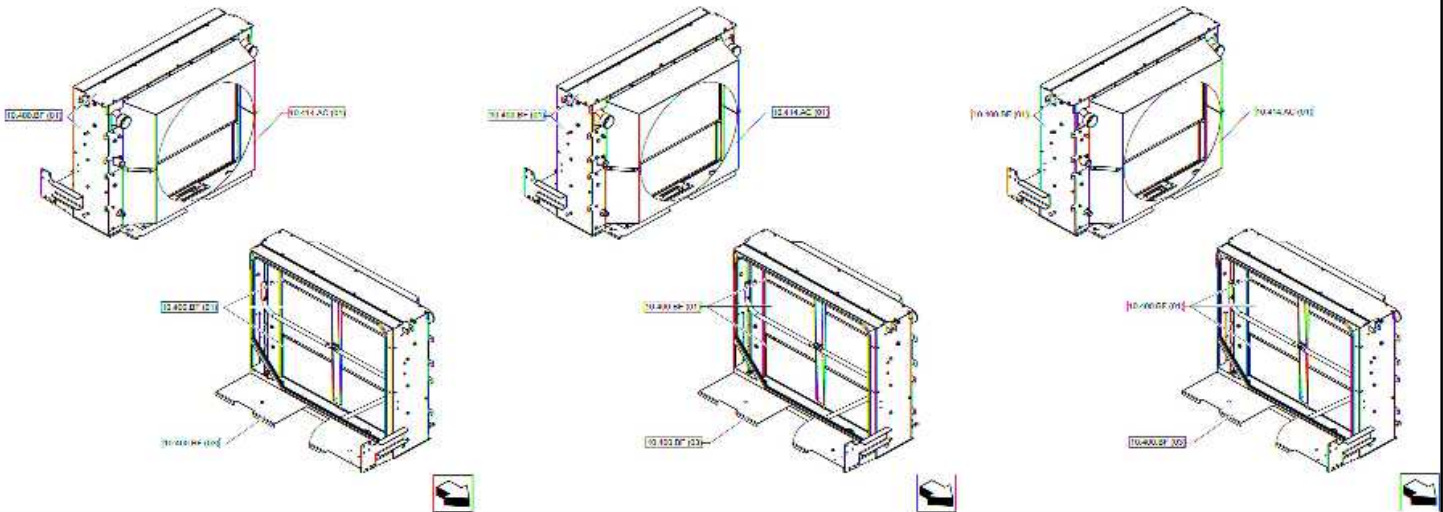
REF FN PART NUMBER

YR/SN

QTY DESCRIPTION

8230 8230 BR
F3BFA614E*D001

PICTORIAL INDEX - ENGINE



00.000.10

03

p1

10/201
3

PICTORIAL INDEX - ENGINE

REF FN PART NUMBER

YR/SN

QTY DESCRIPTION

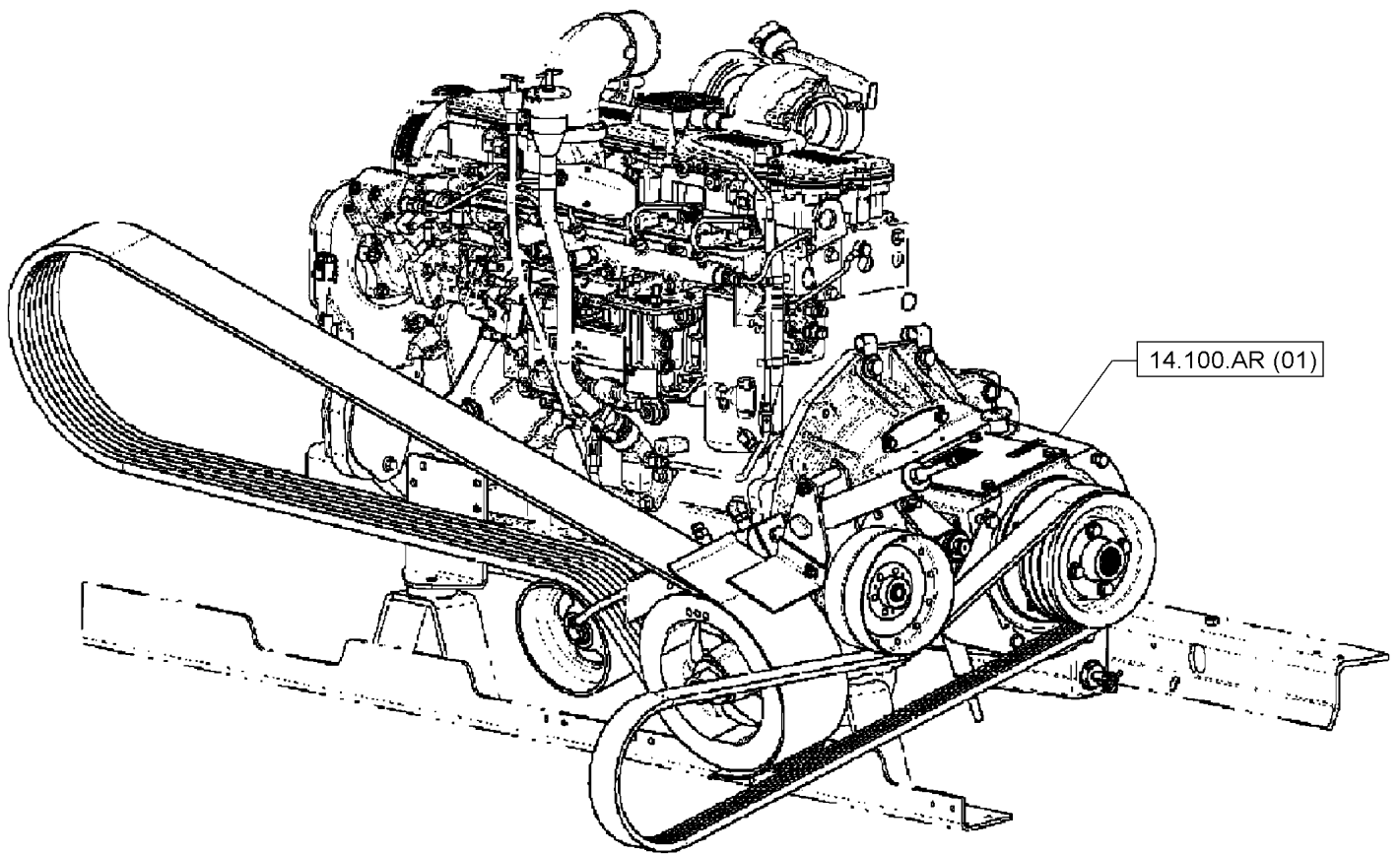
7230 8230 9230

00.000.14

p1

10/201
3

PICTORIAL INDEX - LIVE PTO



00.000.14

p1

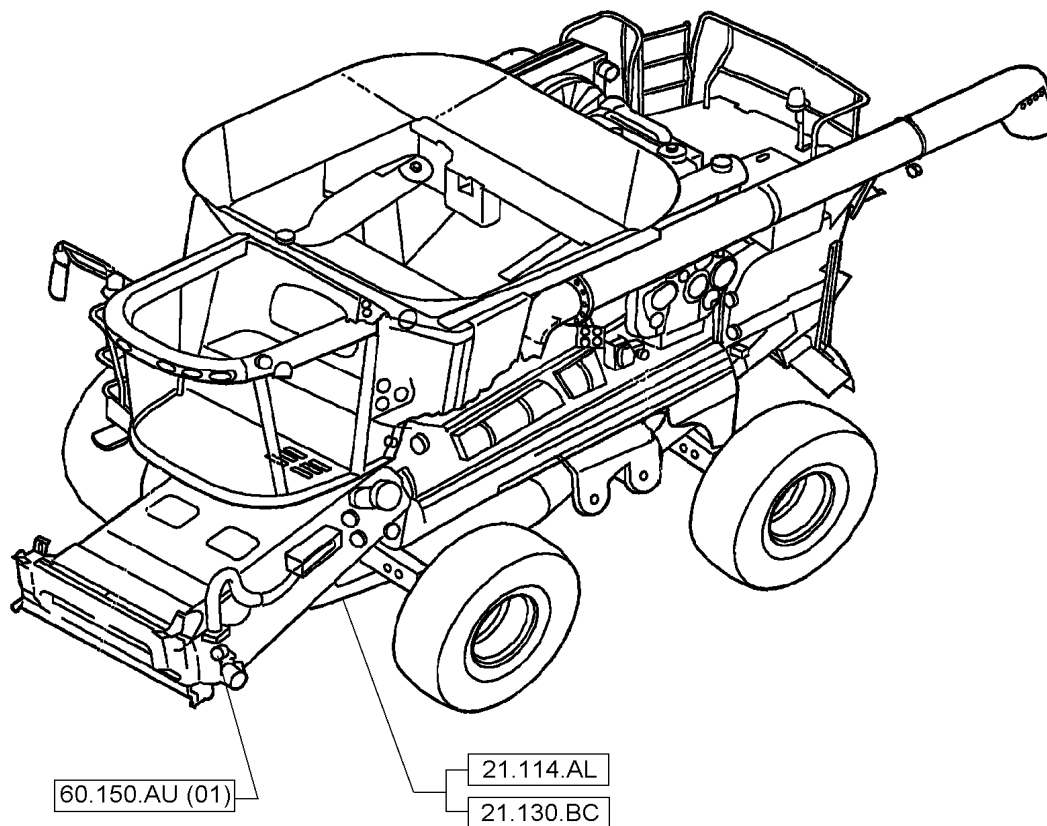
10/201
3

PICTORIAL INDEX - LIVE PTO

REF FN	PART NUMBER	YR/SN	QTY	DESCRIPTION
--------	-------------	-------	-----	-------------

				7230 8230 9230
--	--	--	--	----------------

PICTORIAL INDEX - TRANSMISSION



This as a preview PDF file from best-manuals.com



Download full PDF manual at best-manuals.com