

670G, 670GP, 672G, and 672GP Motor Graders

(PIN: 1DW670G_ _ _F680878—)

(PIN: 1DW672G_ _ _F680878—)

(PIN: 1DW670G_ _ _L700954—)

(PIN: 1DW672G_ _ _L700954—)



OPERATOR'S MANUAL 670G, 670GP, 672G, and 672GP Motor Graders

OMT390948X19 ISSUE A3 (ENGLISH)

CALIFORNIA

Proposition 65 Warning

Diesel engine exhaust and some of its constituents are known to the State of California to cause cancer, birth defects, and other reproductive harm.

If this product contains a gasoline engine:

⚠ WARNING

The engine exhaust from this product contains chemicals known to the State of California to cause cancer, birth defects or other reproductive harm.

The State of California requires the above two warnings.

**Worldwide Construction
And Forestry Division**

PRINTED IN U.S.A.

Introduction

Foreword

READ THIS MANUAL carefully to learn how to operate and service your machine correctly. Failure to do so could result in personal injury or equipment damage. This manual and safety signs on your machine may also be available in other languages. (See your John Deere dealer to order.)

THIS MANUAL SHOULD BE CONSIDERED a permanent part of your machine and should remain with the machine when you sell it.

MEASUREMENTS in this manual are given in both metric and customary U.S. unit equivalents. Use only correct replacement parts and fasteners. Metric and inch fasteners may require a specific metric or inch wrench.

RIGHT-HAND AND LEFT-HAND sides are determined by facing in the direction of forward travel.

WRITE PRODUCT IDENTIFICATION NUMBERS (P.I.N.) in the Machine Numbers section. Accurately record all the numbers to help in tracing the machine should it be stolen. Your dealer also needs these numbers when you order parts. File the identification numbers in a secure place off the machine.

WARRANTY is provided as part of John Deere's support program for customers who operate and maintain their

equipment as described in this manual. The warranty is explained on the warranty certificate or statement which you should have received from your dealer.

This warranty provides you the assurance that John Deere will back its products where defects appear within the warranty period. In some circumstances, John Deere also provides field improvements, often without charge to the customer, even if the product is out of warranty. Should the equipment be abused, or modified to change its performance beyond the original factory specifications, the warranty will become void and field improvements may be denied. Setting fuel delivery above specifications or otherwise overpowering machines will result in such action.

THE TIRE MANUFACTURER'S warranty supplied with your machine may not apply outside the U.S.

If you are not the original owner of this machine, it is in your interest to contact your local John Deere dealer to inform them of this unit's serial number. This will help John Deere notify you of any issues or product improvements.

DX,IFC7 -19-03APR09-1/1

Manual Identification—READ THIS FIRST!

IMPORTANT: Use only supporting manuals designated for each specific machine. If incorrect manual is chosen, improper service may occur. Verify product identification number (PIN) when choosing the correct manual.

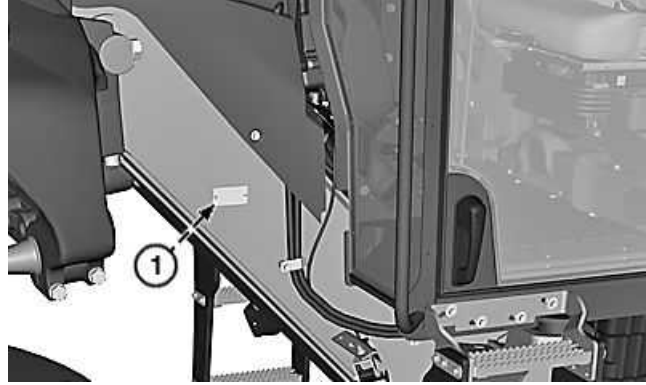
Choosing the Correct Supporting Manuals

John Deere machines are available in different machine configurations based on the various markets into which they are sold. Different supporting manuals exist for different machine configurations.

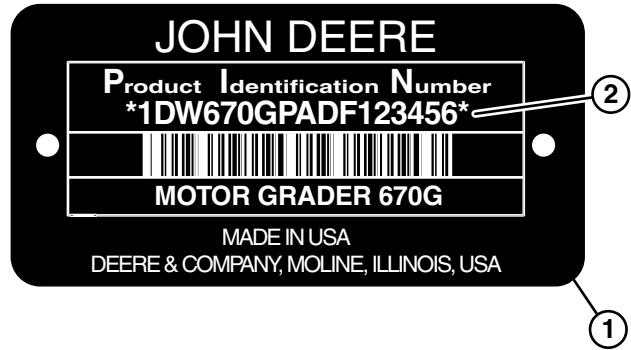
When necessary, product identification numbers (PINs) are listed on the front covers of the manuals. These numbers are used to identify the correct supporting manual for the machine.

Product Identification Number

The product identification number (PIN) plate (1) is located on the left or right side of the machine on the motor grader frame. Each machine has a 17-character PIN (2) shown on the PIN plate.



PIN Plate Location



Example of PIN Plate

1— PIN Plate

2— 17-Character PIN

TX1272238A —UN—31JAN19

TX1233990 —UN—10FEB17

The PIN identifies the producing factory, machine model number, machine option, year of manufacture, engine emission level, and machine serial number.

The following is an example for a machine that meets Final Tier 4 and Stage IV emission levels:

17-Character PIN Example																
1	2	3	4	5	6	7	8	9	10	11	12	13	14	15	16	17
1	D	W	6	7	0	G	X	_	_	F	1	2	3	4	5	6

• **(1—3) World Code:** Identifies location where machine is manufactured.

- 1DW** **World Code** (manufacturing location)
- 1DW Davenport Works
- 1T0 Dubuque Works
- 1JZ Russia (Moscow)

• **(4—8) Machine Model Identifier:** Identifies model number.

- 670G** **Machine Model Identifier**
- X** **Machine Option Code**
- P Grade Pro Machine
- X Base Machine

• **(9) Check Letter:** This is a random character assigned by the factory. This is not used in machine identification.

- _ **Check Letter** (variable)

• **(10) Manufacturing Year Code:** Identifies year of machine manufacture.

- _ **Manufacturing Year Code** (variable)
- H 2017
- J 2018
- K 2019
- L 2020
- M 2021
- N 2022

• **(11) Engine Emission Code:** Represents engine emission certification.

- F** **Engine Emission Code**
- C Tier 2 and Stage II
- D Tier 3 and Stage III A
- E Interim Tier 4 and Stage III B
- F Final Tier 4 and Stage IV
- G Interim Tier 4 and Stage III A (19-56 kW)
- H Final Tier 4 and Stage III A (19-37 kW)
- J Final Tier 4 and Stage III B (37-56 kW)
- K Final Tier 4 (8-19 kW)
- L Final Tier 4 and Stage V
- M Final Tier 4 and Stage V (19-56 kW)

• **(12—17) Machine Serial Number:** Identifies machine serial number. This character changes from one machine to another.

- 123456** **Machine Serial Number**

Serial Number Listing Information

Serial number information provided indicates to which products the specified service information applies. For example:

- No serial number break > The information pertains to all indicated products.
- (S.N. 000000—) > The information pertains to products beginning with the serial number listed.
- (S.N. —000000) > The information pertains to products up to and including the serial number listed.
- (S.N. 000000—000000) > The information pertains to products between and including the serial number listed.

When XXXXXX is listed in place of a serial number, a serial number change was made, but the exact serial number was not available at the time of publication.

TX,SERIALNUM -19-20JUL22-1/1

IMPORTANT

Warranty will not apply to engine and drivetrain failures resulting from unauthorized adjustments to this engine.

Unauthorized adjustments are in violation of the emissions regulations applicable to this engine and may result in substantial fines and penalties.

VD76477,000104D -19-27JUN12-1/1

License Agreement for John Deere Software

LICENSE AGREEMENT FOR JOHN DEERE SOFTWARE

IMPORTANT -- READ CAREFULLY: THIS LICENSE AGREEMENT IS A LEGAL CONTRACT BETWEEN YOU AND JOHN DEERE SHARED SERVICES, INC., A CORPORATION HAVING A PRINCIPAL ADDRESS OF ONE JOHN DEERE PLACE, MOLINE, IL 61265 (THE "LICENSOR"). THIS LICENSE AGREEMENT GOVERNS YOUR USE OF ANY SOFTWARE ("SOFTWARE") AND OTHER MATERIALS (INDIVIDUALLY OR COLLECTIVELY "LICENSED MATERIALS" OR "LM") ASSOCIATED WITH ANY DISPLAY, ENGINE CONTROL UNIT, INVERTER, CONTROLLER, ELECTRONICS MODULE, SENSOR, ACTUATOR, OR COMPUTING UNIT (INDIVIDUALLY OR COLLECTIVELY "LICENSED PRODUCTS" OR "LP") OF THE JOHN DEERE EQUIPMENT THAT IS NOT OTHERWISE LICENSED BY A SEPARATE WRITTEN AGREEMENT BETWEEN YOU AND LICENSOR, OR ITS AFFILIATES.

BY ACTIVATING OR OTHERWISE USING THE LP, YOU ARE ACCEPTING AND AGREEING TO THE TERMS OF THIS LICENSE AGREEMENT WITH RESPECT TO THE LM THAT HAVE BEEN PRE-INSTALLED ON YOUR LP. YOU AGREE THAT THIS LICENSE AGREEMENT, INCLUDING THE WARRANTY DISCLAIMERS, LIMITATIONS OF LIABILITY, TERMINATION, AND ARBITRATION PROVISIONS BELOW, IS BINDING UPON YOU, AND UPON ANY COMPANY ON WHOSE BEHALF YOU USE THE LM AND LP AS WELL AS THE EMPLOYEES OF ANY SUCH COMPANY (COLLECTIVELY REFERRED TO AS "YOU" IN THIS LICENSE AGREEMENT). IF YOU DO NOT AGREE TO THE TERMS OF THIS LICENSE AGREEMENT, OR IF YOU ARE NOT AUTHORIZED TO ACCEPT THESE TERMS ON BEHALF OF YOUR COMPANY OR ITS EMPLOYEES, DECLINE THESE TERMS AND CONDITIONS AND DO NOT USE THE LP OR THE JOHN DEERE EQUIPMENT. THIS LICENSE AGREEMENT REPRESENTS THE ENTIRE AGREEMENT CONCERNING THE LM BETWEEN YOU AND THE LICENSOR AND IT REPLACES ANY PRIOR PROPOSAL, REPRESENTATION, OR UNDERSTANDING BETWEEN YOU AND THE LICENSOR.

1. **Description of Software.** Your Licensed Product ("LP") comes with all Software pre-installed for operation of your John Deere Equipment. Licensed Materials ("LM") shall mean any Software, data files, documentation, engine calibration tables, proprietary data messages, and controller area network (CAN) data messages that are in or communicated to or from any LP (e.g., to monitor, diagnose, or operate the John Deere Equipment). Data files shall include but not be limited to any data structure that adjusts engine control parameters, such as fuel metering, fuel injection rate, fuel injection timing, fuel pressure, engine speed versus torque relationship, intake boost pressure, fuel-to-air ratio or engine timing.
2. **License.** Licensor hereby grants to you, and you accept, a nonexclusive license to use the LM in machine-readable, object code form, only as authorized in this License Agreement and the applicable provisions of the Operators' Manuals, which you agree to review carefully prior to using the LM. The LM may be used only on the LP in which it was initially installed and solely in conjunction with the John Deere Equipment in which it was initially installed; or, in the event of the inoperability of that LP, on a replacement LP provided to you by an authorized dealer pursuant to the Limited Warranty of Section 5. You agree that you will not assign, sublicense, transfer, pledge, lease, rent, or share your rights under this License Agreement, except that you may permanently transfer all of your rights under this License Agreement in connection with the sale of the LP or John Deere Equipment on which the LM covered by this Agreement are installed. If you sell or otherwise transfer the ownership of the LP or John Deere Equipment, you agree that you will require such transferee to accept terms no less restrictive than those in this License Agreement. This License Agreement also covers any and all hardware and additional software that may interact with the LM and/or the LP.
3. **Licensor's Rights.** You acknowledge and agree that the LM are proprietary to Licensor, or its affiliates or licensors, and is protected under copyright law, trade secret law, and laws governing confidential information. You shall maintain the confidentiality of the LM, any nonpublic information in the LM and the source code of the Software, regardless of whether the LM is labeled or marked with any proprietary legend or notice that

indicates its confidential nature. You further acknowledge and agree that all right, title, and interest in and to the Software and the LM, including associated intellectual property rights, are and shall remain with Licensor, its affiliates, and their licensors. This License Agreement does not convey to you any title or interest in or to the LM, but only a limited right of use revocable in accordance with the terms of this License Agreement.

4. **License Restrictions, Reverse Engineering.** You may not reproduce, prepare derivative works based on, disclose, publish, distribute, rent, lease, modify, loan, display, or perform the LM or any part thereof. You may not reverse engineer, decompile, translate, adapt, or disassemble the LM, nor shall you attempt to create the source code from the object code for the Software. You may not transmit the LM over any network or via a hacking device, although you may use the LM to make transmissions of diagnostic data messages that are authorized by Licensor and you may receive Software updates authorized by Licensor over any Licensor-authorized communications channel. You also agree not to permit any third party acting under your control to do any of the foregoing activities related to reverse engineering of the Licensed Materials. You agree not to remove or obliterate any copyright, trademark or other proprietary rights notices from the LM, except as expressly permitted in writing by Licensor or its licensors or expressly permitted under applicable law notwithstanding these restrictions.

5. **License Restrictions, Circumvention.** Security measures ("SM") means any of the following: technological measures under the Digital Millennium Copyright Act, copyright protection measures, application enabling mechanisms, passwords, key codes, encryption or other security devices. You agree that you will not: (a) attempt to defeat a SM or defeat a SM that protects the LM and that would constitute a violation under applicable U.S., U.K. or German law related circumvention of technological measures that protect software, copyrighted works, or other intellectual property rights, (b) purchase, manufacture, design, import, sell or distribute any circumvention or hacking device that is designed to circumvent or hack the LM or LP and that are unlawful to distribute under applicable U.S., U.K. or German law, (c) circumvent a SM that protects the LM if the circumvention can be used to access trade secrets or confidential information that is protected under applicable law; (d) apply circumvention devices or hacking devices to the LM, LP or John Deere Equipment (e.g., to bypass, temporarily or otherwise, one or more LPs) in a manner that violates any environmental

regulations, laws, safety laws, or voluntary safety standards (e.g., ISO standards) that are supported by LPs, LMs, or (e) apply any circumvention devices or hacking devices from any third parties in an attempt to reverse engineer the LM or that could be used to access trade secrets or other confidential information in the LM that is protected under applicable law. You also agree not to permit any third party acting under your control to do any of the foregoing activities related to circumvention of SM.

6. **Consideration, License Fees.** The license fees or other good and valuable consideration paid by you are paid in consideration of the licenses granted under this License Agreement.

7. **Limited Warranty.** Licensor warrants, for your benefit alone and not for the benefit of any other party, that during the "Warranty Period" defined below, the Software will operate substantially in accordance with the applicable functional specifications ("Specifications") set forth in the Operators' Manuals. If, prior to expiration of the Warranty Period, the Software fails to perform substantially in accordance with the Specifications, you may return the LP to the place of purchase for repair or replacement of the non-performing Software. As used in this License Agreement, the "Warranty Period" is one (1) year from the date you take delivery of the LP.

8. **DISCLAIMER OF WARRANTIES.** YOU HEREBY AGREE THAT THE LIMITED WARRANTY PROVIDED ABOVE (THE "LIMITED WARRANTY") CONSTITUTES YOUR SOLE AND EXCLUSIVE REMEDY FOR ANY PROBLEM WHATSOEVER WITH THE LM. EXCEPT AS PROVIDED IN THE LIMITED WARRANTY, THE LM IS LICENSED "AS IS," AND LICENSOR, ITS AFFILIATES AND THIRD PARTY SUPPLIERS EXPRESSLY DISCLAIM AND YOU EXPRESSLY WAIVE, RELEASE AND RENOUNCE ALL WARRANTIES ARISING BY LAW OR OTHERWISE WITH RESPECT TO THE LM, INCLUDING, BUT NOT LIMITED TO: ANY IMPLIED WARRANTY OF MERCHANTABILITY OR FITNESS FOR A PARTICULAR PURPOSE; ANY IMPLIED WARRANTY ARISING FROM COURSE OF PERFORMANCE, COURSE OF DEALING OR TRADE USAGE; ANY WARRANTY OF TITLE OR NON-INFRINGEMENT; AND, ANY OTHER WARRANTY ARISING UNDER ANY THEORY OF LAW, INCLUDING TORT, NEGLIGENCE, STRICT LIABILITY, CONTRACT OR OTHER LEGAL OR EQUITABLE THEORY. NO REPRESENTATION OR OTHER AFFIRMATION OF FACT INCLUDING, BUT NOT LIMITED TO, STATEMENTS REGARDING SUITABILITY FOR USE, SHALL BE DEEMED TO BE A WARRANTY BY LICENSOR OR ANY OF ITS AFFILIATES OR THIRD PARTY SUPPLIERS. LICENSOR DOES NOT WARRANT THAT THE LM AND/OR LP IS ERROR-FREE OR WILL OPERATE WITHOUT INTERRUPTION.

9. **LIMITATION OF LIABILITY.** EXCEPT AS SET FORTH IN THE LIMITED WARRANTY, UNDER NO CIRCUMSTANCES SHALL LICENSOR, ITS AFFILIATES OR ITS THIRD PARTY SUPPLIERS BE LIABLE TO YOU OR TO ANY THIRD PARTIES FOR DIRECT, INDIRECT, INCIDENTAL OR CONSEQUENTIAL DAMAGES OF ANY KIND, INCLUDING ANY LOSS OR DAMAGE CAUSED BY THE LM; ANY PARTIAL OR TOTAL FAILURE OF THE LM; PERFORMANCE, NONPERFORMANCE OR DELAYS IN CONNECTION WITH

ANY INSTALLATION, MAINTENANCE, WARRANTY OR REPAIRS OF THE LM, DAMAGES FOR CROP LOSS, DAMAGE TO LAND, DAMAGE TO MACHINES, LOST PROFITS, LOSS OF BUSINESS OR LOSS OF GOODWILL, LOSS OF USE OF EQUIPMENT OR SERVICES OR DAMAGES TO BUSINESS OR REPUTATION ARISING FROM THE PERFORMANCE OR NON-PERFORMANCE OF ANY ASPECT OF THE SOFTWARE, LM OR LP, WHETHER IN CONTRACT, TORT OR OTHERWISE, AND WHETHER OR NOT LICENSOR, ITS AFFILIATES OR ITS THIRD PARTY SUPPLIERS HAVE BEEN ADVISED OF THE POSSIBILITY OF SUCH DAMAGES. IN NO EVENT SHALL LICENSOR'S CUMULATIVE LIABILITY TO YOU OR TO ANY OTHER PARTY FOR ANY LOSSES OR DAMAGES RESULTING FROM ANY CLAIMS, LAWSUITS, DEMANDS, OR ACTIONS ARISING FROM OR RELATING TO USE OF THE LM EXCEED YOUR TOTAL PAYMENT FOR THE LP AND FOR THE LICENSE OF THE LM.

10. **Software Maintenance.** Licensor may, at its sole option, offer you maintenance of the Software, even though the Warranty Period has expired. Such maintenance may include providing modifications, corrections or enhancements ("Upgrades") to the Software and/or the applicable Operators' Manuals. Licensor reserves the right, in its sole discretion, to charge you for maintenance (except in cases where corrections are provided under the Limited Warranty). Your acceptance of this License Agreement constitutes your agreement that any Upgrades will be deemed included in the Software as defined in this License Agreement and that they shall be governed by the terms and conditions applicable to the LM under this License Agreement.

11. **Termination of License.** Licensor may terminate the license granted under this License Agreement upon written notice of termination provided to you if you violate any material term of this License Agreement pertaining to your use of the LM or Licensor's rights, including, without limitation, the provisions of Sections 2 and 3 above.

12. **Compliance with Law.** You agree that you will use the LM in accordance with United States law and the laws of the country in which you are located, as applicable, including foreign trade control laws and regulations. The LM may be subject to export and other foreign trade controls restricting re-sales and/or transfers to other countries and parties. By accepting the terms of this License Agreement, you acknowledge that you understand that the LM may be so controlled, including, but not limited to, by the Export Administration Regulations and/or the foreign trade control regulations of the Treasury Department of the United States. The LM remains subject to applicable U.S. laws.

11. **Indemnification.** You agree to defend, indemnify and hold Licensor, its affiliates and third party supplier, and their, officers, directors, employees, agents and representatives (each an "Indemnified Party"), harmless from and against all claims, demands proceedings, injuries, liabilities, losses, or costs and expenses (including reasonable legal fees) brought by any third party against any such persons arising from or in connection with your use of the LM, regardless of whether such losses are caused, wholly or partially, by any negligence, breach of contract or other fault of an Indemnified Party.

12. **Trademark.** Licensor does not grant you any right, license, or interest to any Licensor trademarks, symbols, marks or names (collectively "Marks") or any trademarks that confusingly similar to the Marks and you agree that no such right, license, or interest shall be asserted by you with respect to such Marks.

13. **Costs of Litigation.** If any claim or action is brought by either party to this License Agreement against the other party regarding the subject matter hereof, the prevailing party shall be entitled to recover, in

addition to any other relief granted, reasonable attorney, arbitrators, and dispute resolution center administrative fees and expenses of litigation.

14. Severability and Waiver. Should any term or provision of this License Agreement be declared void or unenforceable by any court of competent jurisdiction, such declaration shall have no effect on the remaining terms and remaining provisions hereof. The failure of either party to enforce any rights granted hereunder or to take action against the other party in the event of any breach hereunder shall not be deemed a waiver by that party as to subsequent enforcement of rights of subsequent actions in the event of future breaches.

15. Language Clause. Unless the laws of the location in which you reside require otherwise, the parties hereby acknowledge that they have required this License Agreement, and all other documents relating hereto, be drawn up in the English language only. There may be a translated version of this License Agreement. If there is an inconsistency or contradiction between the translated version and the English version of this License Agreement, the English version of this License Agreement shall control unless the laws of the location in which you reside require that a different version control. The parties acknowledge and agree that they have required that this agreement be prepared in the English language. Les parties reconnaissent avoir exigé que les présentes soient rédigées en langue anglaise.

16. Assignment by Licensor. Licensor may assign this License Agreement without your prior consent to any company or entity affiliated with Licensor, or by an assignment associated with a corporate restructuring, merger or acquisition.

17. Governing Law and Forum. This License Agreement will be governed by and construed in accordance with the substantive laws in force in the State of Illinois, U.S.A. The respective courts of Rock Island County, Illinois have exclusive jurisdiction over all disputes relating to this License Agreement. This License Agreement will not be governed by the conflict of law rules of any jurisdiction or the United Nations Convention on Contracts for the International Sale of Goods, the application of which is expressly excluded.

18. Arbitration. IF YOU RESIDE IN A JURISDICTION WHEREIN THE ENFORCEABILITY OF THE TERMS OF SECTION 17 IS DEPENDENT UPON THE PARTIES AGREEING TO SUBMIT TO ARBITRATION, THEN ANY CONTROVERSY OR CLAIM ARISING OUT OF OR RELATING TO THIS LICENSE AGREEMENT SHALL BE DETERMINED BY ARBITRATION IN ACCORDANCE WITH THE INTERNATIONAL ARBITRATION RULES OF THE INTERNATIONAL CENTRE FOR DISPUTE RESOLUTION ("ICDR") IN EFFECT AT THE TIME OF ITS INITIATION. THE ARBITRATION SHALL BE HELD BEFORE ONLY ONE ARBITRATOR APPOINTED BY THE ICDR. THE PLACE OF ARBITRATION SHALL BE CHICAGO, ILLINOIS, USA AND THE LANGUAGE OF THE ARBITRATION SHALL BE ENGLISH.

19. Representations of Licensee. BY ACCEPTING THIS AGREEMENT, YOU: (A) ACKNOWLEDGE THAT YOU HAVE READ AND UNDERSTAND THIS AGREEMENT; (B)

REPRESENT THAT YOU HAVE THE AUTHORITY TO ENTER INTO THIS AGREEMENT; (C) AGREE THAT THIS AGREEMENT IS ENFORCEABLE AGAINST YOU AND ANY LEGAL ENTITY THAT OBTAINED THE LM AND ON WHOSE BEHALF IT IS USED; AND, (D) AGREE TO PERFORM THE OBLIGATIONS OF THIS AGREEMENT.

20. Notices. All notices to Licensor shall be sent by certified or registered mail to John Deere Shared Services, Inc., One John Deere Place, Moline, IL 61265 U.S.A. All notices to Licensor shall be effective upon receipt. All notices required to be given to you shall, in Licensor's sole discretion, either be sent via certified or registered mail to the address given to Licensor, a John Deere dealer, or another distribution partner of Licensor in connection with your purchase of the LP and/or John Deere Equipment. Either method of notification used by Licensor shall be effective upon dispatch. You agree to notify Licensor of any change in your address in the manner set forth above.

21. Third Party Software Notifications and Licenses. The copyrights for certain portions of the Software may be owned or licensed by other third parties ("Third Party Software") and used and distributed under license. The Third Party Notices includes the acknowledgements, notices and licenses for the Third Party Software. The Third Party Notices are included with the distribution of this License Agreement on the display. If you are unable to locate these Third Party Notices, please write to us at the address below. The Third Party Software is licensed according to the applicable Third Party Software license notwithstanding anything to the contrary in this Agreement. If the Third Party Software contains copyrighted software that is licensed under the GPL/LGPL or other copyleft licenses, copies of those licenses are included in the Third Party Notices. You may obtain the complete corresponding source code for such Third Party Software from us for a period of three years after our last shipment of the Software by sending a request letter to:

Deere Open Source Compliance Team
P.O. Box 1202
Moline, IL 61266-1202
USA

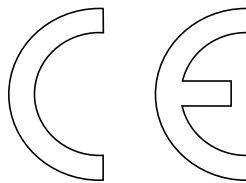
Please include name of the product and the version number of the software in the request letter. This offer is valid to anyone in receipt of this information.

Conformity Marking for European Union (EU), United Kingdom (UKCA), and Eurasian Economic Union (EAEU)

NOTE: Some or all machine models listed on the front cover of this manual are available in optional factory configurations that meet or exceed European Union (EU), United Kingdom (UKCA) or Eurasian Economic Union (EAEU) conformity requirements.

To validate conformance of a particular machine for sale into the EU, United Kingdom, or EAEU markets, check for the applicable marking on the machine, or see an authorized John Deere dealer.

TX1219407 —UN—18JUL16

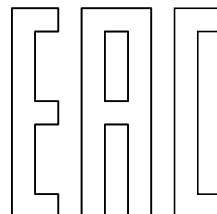


European Union (EU)



United Kingdom (UKCA)

TX1219405 —UN—18JUL16

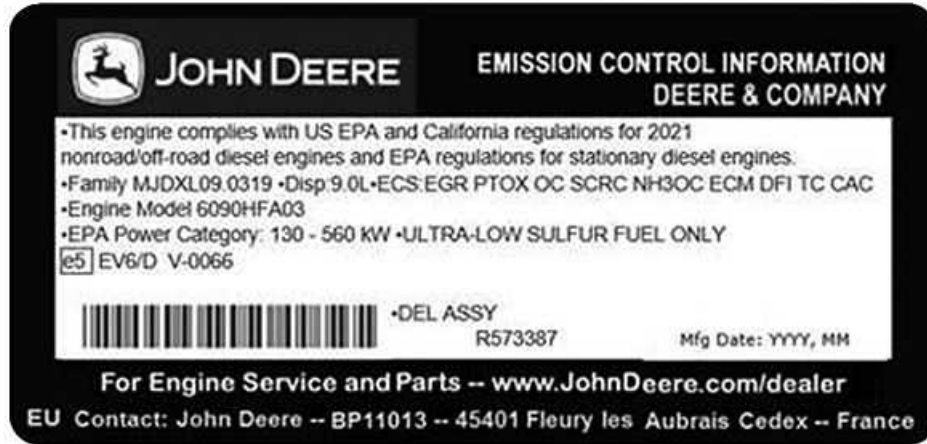


Eurasian Economic Union (EAEU)

TX_CONFORM,MARK -19-15NOV22-1/1

TX1333256 —UN—15NOV22

Emissions Control System Certification Label



Engine Emissions Label

⚠ CAUTION: Statutes providing severe penalties for tampering with emissions controls may apply to the user or dealer.

The emissions warranty applies to those engines marketed by John Deere that have been certified by the United States Environmental Protection Agency (EPA) and/or California Air Resources Board (CARB); and used in the United States and Canada in Non-road equipment. The presence of an emissions label like the one shown signifies that the engine has been certified with the EPA and/or CARB. The EPA and CARB warranties only apply to new engines having the certification label affixed to the engine and sold as stated above in the geographic areas. The presence of an EU number signifies that the engine has been certified with the European Union countries per Regulation (EU) 2016/1628 and supplementing legislation. The EPA and/or CARB emissions warranties do not apply to the EU countries.

The emissions label has applicable US EPA and/or CARB regulatory year. The regulatory year determines which warranty statement is applicable to engine. See “EPA Non-road Emissions Control Warranty Statement—Compression Ignition” and “CARB Non-road Emissions Control Warranty Statement—Compression Ignition”. For additional regulatory year warranty statements, see www.JohnDeere.com or contact the nearest John Deere service dealer for assistance.

Emission Control System(s) Laws

The U.S. EPA and California ARB prohibit the removal or rendering inoperative of any device or element of design installed on or in engines/equipment in compliance with applicable emission regulations prior to or after the sale and delivery of the engines/equipment to the ultimate purchaser.

DX,EMISSIONS,LABEL -19-05FEB21-1/1

RG33429—UN—04FEB21

EPA Non-road Emissions Control Warranty Statement—Compression Ignition

DXLOGOV1 —UN—28APR09



JOHN DEERE

U.S. AND CANADA EMISSION CONTROL WARRANTY STATEMENT YOUR WARRANTY RIGHTS AND OBLIGATIONS

To determine if the John Deere engine qualifies for the additional warranties set forth below, look for the "Emissions Control Information" label located on the engine. If the engine is operated in the United States or Canada and the Emissions Control information label states: "This engine complies with US EPA regulations for nonroad and stationary diesel engines", or "This engine conforms to US EPA nonroad compression-ignition regulations", refer to the "U.S. and Canada Emission Control Warranty Statement." If the engine is operated in California, and the label states: "This engine complies with US EPA and CARB regulations for nonroad diesel engines", or "This engine conforms to US EPA and California nonroad compression-ignition emission regulations", also refer to the "California Emission Control Warranty Statement."

Warranties stated on this certificate refer only to emissions-related parts and components of your engine. The complete engine warranty, less emissions-related parts and components, is provided separately. If you have any questions about your warranty rights and responsibilities, you should contact John Deere at 1-319-292-5400.

JOHN DEERE'S WARRANTY RESPONSIBILITY

John Deere warrants to the ultimate purchaser and each subsequent purchaser that this off-road diesel engine including all parts of its emission-control system was designed, built and equipped so as to conform at the time of the sale with Section 213 of the Clean Air Act and is free from defects in materials and workmanship which would cause the engine to fail to conform with applicable US EPA regulations for a period of five years from the date the engine is placed into service or 3,000 hours of operation, whichever first occurs.

Where a warrantable condition exists, John Deere will repair or replace, as it elects, any part or component with a defect in materials or workmanship that would increase the engine's emissions of any regulated pollutant within the stated warranty period at no cost to you, including expenses related to diagnosing and repairing or replacing emission-related parts. Warranty coverage is subject to the limitations and exclusions set forth herein. Emission-related components include engine parts developed to control emissions related to the following:

Air-Induction System	Aftertreatment Devices
Fuel System	Crankcase Ventilation Valves
Ignition System	Sensors
Exhaust Gas Recirculation Systems	Engine Electronic Control Units

EMISSION WARRANTY EXCLUSIONS

John Deere may deny warranty claims for malfunctions or failures caused by:

- Non-performance of maintenance requirements listed in the Operator's Manual
- The use of the engine/equipment in a manner for which it was not designed
- Abuse, neglect, improper maintenance or unapproved modifications or alterations
- Accidents for which it does not have responsibility or by acts of God

The off-road diesel engine is designed to operate on diesel fuel as specified in the Fuels, Lubricants and Coolants section in the Operators Manual. Use of any other fuel can harm the emissions control system of the engine/equipment and is not approved for use.

To the extent permitted by law John Deere is not liable for damage to other engine components caused by a failure of an emission-related part, unless otherwise covered by standard warranty.

THIS WARRANTY IS EXPRESSLY IN LIEU OF ANY OTHER WARRANTIES, EXPRESS OR IMPLIED, INCLUDING ANY WARRANTY OF MERCHANTABILITY OR FITNESS FOR A PARTICULAR PURPOSE. REMEDIES UNDER THIS WARRANTY ARE LIMITED TO THE PROVISIONS OF MATERIAL AND SERVICES AS SPECIFIED HEREIN. WHERE PERMITTED BY LAW, NEITHER JOHN DEERE NOR ANY AUTHORIZED JOHN DEERE ENGINE DISTRIBUTOR, DEALER, OR REPAIR FACILITY OR ANY COMPANY AFFILIATED WITH JOHN DEERE WILL BE LIABLE FOR INCIDENTAL OR CONSEQUENTIAL DAMAGES.

Emission_CI_EPA (18Dec09)

Continued on next page

DX,EMISSIONS,EPA -19-12DEC12-1/2



JOHN DEERE

**U.S. AND CANADA EMISSION CONTROL WARRANTY STATEMENT
YOUR WARRANTY RIGHTS AND OBLIGATIONS**

To determine if the John Deere engine qualifies for the additional warranties set forth below, look for the "Emissions Control Information" label located on the engine. If the engine is operated in the United States or Canada and the Emissions Control information label states: "This engine complies with US EPA regulations for nonroad and stationary diesel engines", or "This engine conforms to US EPA nonroad compression-ignition regulations", refer to the "U.S. and Canada Emission Control Warranty Statement." If the engine is operated in California, and the label states: "This engine complies with US EPA and CARB regulations for nonroad diesel engines", or "This engine conforms to US EPA and California nonroad compression-ignition emission regulations", also refer to the "California Emission Control Warranty Statement."

Warranties stated on this certificate refer only to emissions-related parts and components of your engine. The complete engine warranty, less emissions-related parts and components, is provided separately. If you have any questions about your warranty rights and responsibilities, you should contact John Deere at 1-319-292-5400.

JOHN DEERE'S WARRANTY RESPONSIBILITY

John Deere warrants to the ultimate purchaser and each subsequent purchaser that this off-road diesel engine including all parts of its emission-control system was designed, built and equipped so as to conform at the time of the sale with Section 213 of the Clean Air Act and is free from defects in materials and workmanship which would cause the engine to fail to conform with applicable US EPA regulations for a period of five years from the date the engine is placed into service or 3,000 hours of operation, whichever first occurs.

Where a warrantable condition exists, John Deere will repair or replace, as it elects, any part or component with a defect in materials or workmanship that would increase the engine's emissions of any regulated pollutant within the stated warranty period at no cost to you, including expenses related to diagnosing and repairing or replacing emission-related parts. Warranty coverage is subject to the limitations and exclusions set forth herein. Emission-related components include engine parts developed to control emissions related to the following:

- | | |
|-----------------------------------|---------------------------------|
| Air-Induction System | Aftertreatment Devices |
| Fuel System | Crankcase Ventilation Valves |
| Ignition System | Sensors |
| Exhaust Gas Recirculation Systems | Engine Electronic Control Units |

EMISSION WARRANTY EXCLUSIONS

John Deere may deny warranty claims for malfunctions or failures caused by:

- Non-performance of maintenance requirements listed in the Operator's Manual
- The use of the engine/equipment in a manner for which it was not designed
- Abuse, neglect, improper maintenance or unapproved modifications or alterations
- Accidents for which it does not have responsibility or by acts of God

The off-road diesel engine is designed to operate on diesel fuel as specified in the Fuels, Lubricants and Coolants section in the Operators Manual. Use of any other fuel can harm the emissions control system of the engine/equipment and is not approved for use.

To the extent permitted by law John Deere is not liable for damage to other engine components caused by a failure of an emission-related part, unless otherwise covered by standard warranty.

THIS WARRANTY IS EXPRESSLY IN LIEU OF ANY OTHER WARRANTIES, EXPRESS OR IMPLIED, INCLUDING ANY WARRANTY OF MERCHANTABILITY OR FITNESS FOR A PARTICULAR PURPOSE. REMEDIES UNDER THIS WARRANTY ARE LIMITED TO THE PROVISIONS OF MATERIAL AND SERVICES AS SPECIFIED HEREIN. WHERE PERMITTED BY LAW, NEITHER JOHN DEERE NOR ANY AUTHORIZED JOHN DEERE ENGINE DISTRIBUTOR, DEALER, OR REPAIR FACILITY OR ANY COMPANY AFFILIATED WITH JOHN DEERE WILL BE LIABLE FOR INCIDENTAL OR CONSEQUENTIAL DAMAGES.

Emission_CI_EPA (18Dec09)

DX,EMISSIONS,EPA -19-12DEC12-2/2

TS1721 -JUN-15JUL13

CARB Non-road Emissions Control Warranty Statement—Compression Ignition

Emissions Control Warranty Statement 2019 through 2021

DXLOGOV1 —UN—28APR09



JOHN DEERE

CALIFORNIA EMISSIONS CONTROL WARRANTY STATEMENT YOUR WARRANTY RIGHTS AND OBLIGATIONS

To determine if the John Deere engine qualifies for the additional warranties set forth below, look for the "Emission Control Information" label located on the engine. If the engine is operated in the United States or Canada and the engine label states: "This engine complies with US EPA regulations for nonroad and stationary diesel engines", or "This engine complies with US EPA regulations for stationary emergency diesel engines", refer to the "U.S. and Canada Emission Control Warranty Statement." If the engine is operated in California, and the engine label states: "This engine complies with US EPA and CARB regulations for nonroad diesel engines" also refer to the "California Emissions Control Warranty Statement."

Warranties stated on this certificate refer only to emissions-related parts and components of your engine. The complete engine warranty, less emission-related parts and components, is provided separately. If you have any questions about your warranty rights and responsibilities, you should contact John Deere at 1-319-292-5400.

CALIFORNIA EMISSIONS CONTROL WARRANTY STATEMENT:

The California Air Resources Board (CARB) is pleased to explain the emission-control system warranty on 2019 through 2021 off-road diesel engines. In California, new off-road engines must be designed, built and equipped to meet the State's stringent anti-smog standards. John Deere must warrant the emission control system on your engine for the periods of time listed below provided there has been no abuse, neglect or improper maintenance of your engine.

Your emission control system may include parts such as the fuel injection system and the air induction system. Also included may be hoses, belts, connectors and other emission-related assemblies.

John Deere warrants to the ultimate purchaser and each subsequent purchaser that this off-road diesel engine was designed, built, and equipped so as to conform at the time of sale with all applicable regulations adopted by CARB and is free from defects in materials and workmanship which would cause the failure of a warranted part to be identical in all material respects to the part as described in John Deere's application for certification for a period of five years from the date the engine is delivered to an ultimate purchaser or 3,000 hours of operation, whichever occurs first for all engines rated at 19 kW and greater. In the absence of a device to measure hours of use, the engine shall be warranted for a period of five years.

EMISSIONS WARRANTY EXCLUSIONS:

John Deere may deny warranty claims for failures caused by the use of an add-on or modified part which has not been exempted by the CARB. A modified part is an aftermarket part intended to replace an original emission-related part which is not functionally identical in all respects and which in any way affects emissions. An add-on part is any aftermarket part which is not a modified part or a replacement part.

In no event will John Deere, any authorized engine distributor, dealer, or repair facility, or any company affiliated with John Deere be liable for incidental or consequential damage.

JOHN DEERE'S WARRANTY RESPONSIBILITY:

Where a warrantable condition exists, John Deere will repair or replace, as it elects, your off-road diesel engine at no cost to you, including diagnosis, parts or labor. Warranty coverage is subject to the limitations and exclusions set forth herein. The off-road diesel engine is warranted for a period of five years from the date the engine is delivered to an ultimate purchaser or 3,000 hours of operation, whichever occurs first. The following are emissions-related parts:

<p>Air Induction System</p> <ul style="list-style-type: none"> • Intake manifold • Turbocharger • Charge air cooler <p>Fuel Metering system</p> <ul style="list-style-type: none"> • Fuel injection system <p>Exhaust Gas Recirculation</p> <ul style="list-style-type: none"> • EGR valve <p>Catalyst or Thermal Reactor Systems</p> <ul style="list-style-type: none"> • Catalytic converter • Exhaust manifold 	<p>Emission control labels</p> <p>Particulate Controls</p> <ul style="list-style-type: none"> • Any device used to capture particulate emissions • Any device used in the regeneration of the capturing system • Enclosures and manifolding • Smoke Puff Limiters <p>Positive Crankcase Ventilation (PCV) System</p> <ul style="list-style-type: none"> • PCV valve • Oil filler cap 	<p>Advanced Oxides of Nitrogen (NOx) Controls</p> <ul style="list-style-type: none"> • NOx absorbers and catalysts <p>SCR systems and urea containers/dispensing systems</p> <p>Miscellaneous Items used in Above Systems</p> <ul style="list-style-type: none"> • Electronic control units, sensors, actuators, wiring harnesses, hoses, connectors, clamps, fittings, gasket, mounting hardware
--	--	---

Any warranted emissions-related part scheduled for replacement as required maintenance is warranted by John Deere for the period of time prior to the first scheduled replacement point for the part. Any warranted emissions-related part not scheduled for replacement as required maintenance or scheduled only for regular inspection is warranted by John Deere for the stated warranty period.

OWNER'S WARRANTY RESPONSIBILITIES:

As the off-road diesel engine owner you are responsible for the performance of the required maintenance listed in your Operator's Manual. John Deere recommends that the owner retain all receipts covering maintenance on the off-road diesel engine, but John Deere cannot deny warranty solely for the lack of receipts or for the owner's failure to ensure the performance of all scheduled maintenance. However, as the off-road diesel engine owner, you should be aware that John Deere may deny you warranty coverage if your off-road diesel engine or a part has failed due to abuse, neglect, improper maintenance or unapproved modifications.

The off-road diesel engine is designed to operate on diesel fuel as specified in the Fuels, Lubricants and Coolants section in the Operators Manual. Use of any other fuel may result in the engine no longer operating in compliance with applicable emissions requirements.

The owner is responsible for initiating the warranty process, and should present the machine to the nearest authorized John Deere dealer as soon as a problem is suspected. The warranty repairs should be completed by the authorized John Deere dealer as quickly as possible.

Emissions regulations require the customer to bring the unit to an authorized servicing dealer when warranty service is required. As a result, John Deere is NOT liable for travel or mileage on emissions warranty service calls.

Emissions Control Warranty Statement 2019 through 2021

DXLOGOV1 —UN—28APR09



JOHN DEERE

CALIFORNIA EMISSIONS CONTROL WARRANTY STATEMENT YOUR WARRANTY RIGHTS AND OBLIGATIONS

To determine if the John Deere engine qualifies for the additional warranties set forth below, look for the "Emission Control Information" label located on the engine. If the engine is operated in the United States or Canada and the engine label states: "This engine complies with US EPA regulations for nonroad and stationary diesel engines", or "This engine complies with US EPA regulations for stationary emergency diesel engines", refer to the "U.S. and Canada Emission Control Warranty Statement." If the engine is operated in California, and the engine label states: "This engine complies with US EPA and CARB regulations for nonroad diesel engines" also refer to the "California Emissions Control Warranty Statement."

Warranties stated on this certificate refer only to emissions-related parts and components of your engine. The complete engine warranty, less emission-related parts and components, is provided separately. If you have any questions about your warranty rights and responsibilities, you should contact John Deere at 1-319-292-5400.

CALIFORNIA EMISSIONS CONTROL WARRANTY STATEMENT:

The California Air Resources Board (CARB) is pleased to explain the emission-control system warranty on 2019 through 2021 off-road diesel engines. In California, new off-road engines must be designed, built and equipped to meet the State's stringent anti-smog standards. John Deere must warrant the emission control system on your engine for the periods of time listed below provided there has been no abuse, neglect or improper maintenance of your engine.

Your emission control system may include parts such as the fuel injection system and the air induction system. Also included may be hoses, belts, connectors and other emission-related assemblies.

John Deere warrants to the ultimate purchaser and each subsequent purchaser that this off-road diesel engine was designed, built, and equipped so as to conform at the time of sale with all applicable regulations adopted by CARB and is free from defects in materials and workmanship which would cause the failure of a warranted part to be identical in all material respects to the part as described in John Deere's application for certification for a period of five years from the date the engine is delivered to an ultimate purchaser or 3,000 hours of operation, whichever occurs first for all engines rated at 19 kW and greater. In the absence of a device to measure hours of use, the engine shall be warranted for a period of five years.

EMISSIONS WARRANTY EXCLUSIONS:

John Deere may deny warranty claims for failures caused by the use of an add-on or modified part which has not been exempted by the CARB. A modified part is an aftermarket part intended to replace an original emission-related part which is not functionally identical in all respects and which in any way affects emissions. An add-on part is any aftermarket part which is not a modified part or a replacement part.

In no event will John Deere, any authorized engine distributor, dealer, or repair facility, or any company affiliated with John Deere be liable for incidental or consequential damage.

Continued on next page

DX.EMISSIONS.CARB -19-26AUG20-3/8

RG29280 —UN—02FEB17

JOHN DEERE'S WARRANTY RESPONSIBILITY:

Where a warrantable condition exists, John Deere will repair or replace, as it elects, your off-road diesel engine at no cost to you, including diagnosis, parts or labor. Warranty coverage is subject to the limitations and exclusions set forth herein. The off-road diesel engine is warranted for a period of five years from the date the engine is delivered to an ultimate purchaser or 3,000 hours of operation, whichever occurs first. The following are emissions-related parts:

<p>Air Induction System</p> <ul style="list-style-type: none"> • Intake manifold • Turbocharger • Charge air cooler <p>Fuel Metering system</p> <ul style="list-style-type: none"> • Fuel injection system <p>Exhaust Gas Recirculation</p> <ul style="list-style-type: none"> • EGR valve <p>Catalyst or Thermal Reactor Systems</p> <ul style="list-style-type: none"> • Catalytic converter • Exhaust manifold 	<p>Emission control labels</p> <p>Particulate Controls</p> <ul style="list-style-type: none"> • Any device used to capture particulate emissions • Any device used in the regeneration of the capturing system • Enclosures and manifolding • Smoke Puff Limiters <p>Positive Crankcase Ventilation (PCV) System</p> <ul style="list-style-type: none"> • PCV valve • Oil filler cap 	<p>Advanced Oxides of Nitrogen (NOx) Controls</p> <ul style="list-style-type: none"> • NOx absorbers and catalysts <p>SCR systems and urea containers/dispensing systems</p> <p>Miscellaneous Items used in Above Systems</p> <ul style="list-style-type: none"> • Electronic control units, sensors, actuators, wiring harnesses, hoses, connectors, clamps, fittings, gasket, mounting hardware
--	---	--

Any warranted emissions-related part scheduled for replacement as required maintenance is warranted by John Deere for the period of time prior to the first scheduled replacement point for the part. Any warranted emissions-related part not scheduled for replacement as required maintenance or scheduled only for regular inspection is warranted by John Deere for the stated warranty period.

OWNER'S WARRANTY RESPONSIBILITIES:

As the off-road diesel engine owner you are responsible for the performance of the required maintenance listed in your Operator's Manual. John Deere recommends that the owner retain all receipts covering maintenance on the off-road diesel engine, but John Deere cannot deny warranty solely for the lack of receipts or for the owner's failure to ensure the performance of all scheduled maintenance. However, as the off-road diesel engine owner, you should be aware that John Deere may deny you warranty coverage if your off-road diesel engine or a part has failed due to abuse, neglect, improper maintenance or unapproved modifications.

The off-road diesel engine is designed to operate on diesel fuel as specified in the Fuels, Lubricants and Coolants section in the Operators Manual. Use of any other fuel may result in the engine no longer operating in compliance with applicable emissions requirements.

The owner is responsible for initiating the warranty process, and should present the machine to the nearest authorized John Deere dealer as soon as a problem is suspected. The warranty repairs should be completed by the authorized John Deere dealer as quickly as possible.

Emissions regulations require the customer to bring the unit to an authorized servicing dealer when warranty service is required. As a result, John Deere is NOT liable for travel or mileage on emissions warranty service calls.

Emission_CI_CARB (01Feb17)

Continued on next page

DX,EMISSIONS,CARB -19-26AUG20-4/8

RG29281 —UN—27FEB17

Emissions Control Warranty Statement 2022 through 2024

DXLOGOV1 —UN—28APR09



JOHN DEERE

CALIFORNIA EMISSIONS CONTROL WARRANTY STATEMENT YOUR WARRANTY RIGHTS AND OBLIGATIONS

To determine if the John Deere engine qualifies for the additional warranties set forth below, look for the "Emission Control Information" label located on the engine. If the engine is operated in the United States or Canada and the engine label states: "This engine complies with US EPA regulations for nonroad and stationary diesel engines", or "This engine complies with US EPA regulations for stationary emergency diesel engines", refer to the "U.S. and Canada Emission Control Warranty Statement." If the engine is operated in California, and the engine label states: "This engine complies with US EPA and California regulations for nonroad/off-road diesel engines" also refer to the "California Emissions Control Warranty Statement."

Warranties stated on this certificate refer only to emissions-related parts and components of your engine. The complete engine warranty, less emission-related parts and components, is provided separately. If you have any questions about your warranty rights and responsibilities, you should contact John Deere at 1-319-292-5400.

CALIFORNIA EMISSIONS CONTROL WARRANTY STATEMENT:

The California Air Resources Board (CARB) is pleased to explain the emission-control system warranty on 2022 through 2024 off-road diesel engines. In California, new off-road engines must be designed, built and equipped to meet the State's stringent anti-smog standards. John Deere must warrant the emission control system on your engine for the periods of time listed below provided there has been no abuse, neglect or improper maintenance of your engine.

Your emission control system may include parts such as the fuel injection system and the air induction system. Also included may be hoses, belts, connectors and other emission-related assemblies.

John Deere warrants to the ultimate purchaser and each subsequent purchaser that this off-road diesel engine was designed, built, and equipped so as to conform at the time of sale with all applicable regulations adopted by CARB. John Deere warrants that this engine is free from defects in materials and workmanship which would cause the failure of emissions warranted parts to be identical in all material respects to the part as described in John Deere's application for certification for a period of five years from the date the engine is delivered to an ultimate purchaser or 3,000 hours of operation, whichever occurs first. This applies to all engines rated at 19 kW and greater. In the absence of a device to measure hours of use, the engine shall be warranted for a period of five years.

EMISSIONS WARRANTY EXCLUSIONS:

John Deere may deny warranty claims for failures caused by the use of an add-on or modified part which has not been exempted by the CARB. A modified part is an aftermarket part intended to replace an original emission-related part which is not functionally identical in all respects and which in any way affects emissions. An add-on part is any aftermarket part which is not a modified part or a replacement part.

In no event will John Deere, any authorized engine distributor, dealer, or repair facility, or any company affiliated with John Deere be liable for incidental or consequential damage.

Continued on next page

DX,EMISSIONS,CARB -19-26AUG20-5/8

JOHN DEERE'S WARRANTY RESPONSIBILITY:

Where a warrantable condition exists, John Deere will repair or replace, as it elects, your off-road diesel engine at no cost to you, including diagnosis, parts or labor. Warranty coverage is subject to the limitations and exclusions set forth herein. The off-road diesel engine is warranted for a period of five years from the date the engine is delivered to an ultimate purchaser or 3,000 hours of operation, whichever occurs first. The following are emissions-related parts:

<p>Air Induction System</p> <ul style="list-style-type: none"> • Intake manifold • Turbocharger • Charge air cooler <p>Fuel Metering system</p> <ul style="list-style-type: none"> • Fuel injection system <p>Exhaust Gas Recirculation</p> <ul style="list-style-type: none"> • EGR valve <p>Catalyst or Thermal Reactor Systems</p> <ul style="list-style-type: none"> • Catalytic converter • Exhaust manifold 	<p>Emission control labels</p> <p>Particulate Controls</p> <ul style="list-style-type: none"> • Any device used to capture particulate emissions • Any device used in the regeneration of the capturing system • Enclosures and manifolding • Smoke Puff Limiters <p>Positive Crankcase Ventilation (PCV) System</p> <ul style="list-style-type: none"> • PCV valve • Oil filler cap 	<p>Advanced Oxides of Nitrogen (NOx) Controls</p> <ul style="list-style-type: none"> • NOx absorbers and catalysts <p>SCR systems and urea containers/dispensing systems</p> <p>Miscellaneous Items used in Above Systems</p> <ul style="list-style-type: none"> • Electronic control units, sensors, actuators, wiring harnesses, hoses, connectors, clamps, fittings, gasket, mounting hardware
--	--	---

Any warranted emissions-related part scheduled for replacement as required maintenance is warranted by John Deere for the period of time prior to the first scheduled replacement point for the part. Any warranted emissions-related part not scheduled for replacement as required maintenance or scheduled only for regular inspection is warranted by John Deere for the stated warranty period.

OWNER'S WARRANTY RESPONSIBILITIES:

As the off-road diesel engine owner you are responsible for the performance of the required maintenance listed in your Operator's Manual. John Deere recommends that the owner retain all receipts covering maintenance on the off-road diesel engine, but John Deere cannot deny warranty solely for the lack of receipts or for the owner's failure to ensure the performance of all scheduled maintenance. However, as the off-road diesel engine owner, you should be aware that John Deere may deny you warranty coverage if your off-road diesel engine or a part has failed due to abuse, neglect, improper maintenance or unapproved modifications.

The off-road diesel engine is designed to operate on diesel fuel as specified in the Fuels, Lubricants and Coolants section in the Operators Manual. Use of any other fuel may result in the engine no longer operating in compliance with applicable emissions requirements.

The owner is responsible for initiating the warranty process, and should present the machine to the nearest authorized John Deere dealer as soon as a problem is suspected. The warranty repairs should be completed by the authorized John Deere dealer as quickly as possible.

Emissions regulations require the customer to bring the unit to an authorized servicing dealer when warranty service is required. As a result, John Deere is NOT liable for travel or mileage on emissions warranty service calls.

Emissions Control Warranty Statement 2022 through 2024

DXLOGOV1—UN—28APR09



JOHN DEERE

CALIFORNIA EMISSIONS CONTROL WARRANTY STATEMENT YOUR WARRANTY RIGHTS AND OBLIGATIONS

To determine if the John Deere engine qualifies for the additional warranties set forth below, look for the "Emission Control Information" label located on the engine. If the engine is operated in the United States or Canada and the engine label states: "This engine complies with US EPA regulations for nonroad and stationary diesel engines", or "This engine complies with US EPA regulations for stationary emergency diesel engines", refer to the "U.S. and Canada Emission Control Warranty Statement." If the engine is operated in California, and the engine label states: "This engine complies with US EPA and California regulations for nonroad/off-road diesel engines" also refer to the "California Emissions Control Warranty Statement."

Warranties stated on this certificate refer only to emissions-related parts and components of your engine. The complete engine warranty, less emission-related parts and components, is provided separately. If you have any questions about your warranty rights and responsibilities, you should contact John Deere at 1-319-292-5400.

CALIFORNIA EMISSIONS CONTROL WARRANTY STATEMENT:

The California Air Resources Board (CARB) is pleased to explain the emission-control system warranty on 2022 through 2024 off-road diesel engines. In California, new off-road engines must be designed, built and equipped to meet the State's stringent anti-smog standards. John Deere must warrant the emission control system on your engine for the periods of time listed below provided there has been no abuse, neglect or improper maintenance of your engine.

Your emission control system may include parts such as the fuel injection system and the air induction system. Also included may be hoses, belts, connectors and other emission-related assemblies.

John Deere warrants to the ultimate purchaser and each subsequent purchaser that this off-road diesel engine was designed, built, and equipped so as to conform at the time of sale with all applicable regulations adopted by CARB. John Deere warrants that this engine is free from defects in materials and workmanship which would cause the failure of emissions warranted parts to be identical in all material respects to the part as described in John Deere's application for certification for a period of five years from the date the engine is delivered to an ultimate purchaser or 3,000 hours of operation, whichever occurs first. This applies to all engines rated at 19 kW and greater. In the absence of a device to measure hours of use, the engine shall be warranted for a period of five years.

EMISSIONS WARRANTY EXCLUSIONS:

John Deere may deny warranty claims for failures caused by the use of an add-on or modified part which has not been exempted by the CARB. A modified part is an aftermarket part intended to replace an original emission-related part which is not functionally identical in all respects and which in any way affects emissions. An add-on part is any aftermarket part which is not a modified part or a replacement part.

In no event will John Deere, any authorized engine distributor, dealer, or repair facility, or any company affiliated with John Deere be liable for incidental or consequential damage.

Continued on next page

DX,EMISSIONS,CARB -19-26AUG20-7/8

RG32758—UN—19AUG20

JOHN DEERE'S WARRANTY RESPONSIBILITY:

Where a warrantable condition exists, John Deere will repair or replace, as it elects, your off-road diesel engine at no cost to you, including diagnosis, parts or labor. Warranty coverage is subject to the limitations and exclusions set forth herein. The off-road diesel engine is warranted for a period of five years from the date the engine is delivered to an ultimate purchaser or 3,000 hours of operation, whichever occurs first. The following are emissions-related parts:

Air Induction System	Emission control labels	Advanced Oxides of Nitrogen (NOx) Controls
<ul style="list-style-type: none"> • Intake manifold • Turbocharger • Charge air cooler 	Particulate Controls	<ul style="list-style-type: none"> • NOx absorbers and catalysts
Fuel Metering system	<ul style="list-style-type: none"> • Any device used to capture particulate emissions • Any device used in the regeneration of the capturing system • Enclosures and manifolding • Smoke Puff Limiters 	SCR systems and urea containers/dispensing systems
<ul style="list-style-type: none"> • Fuel injection system 	Positive Crankcase Ventilation (PCV) System	Miscellaneous Items used in Above Systems
Exhaust Gas Recirculation	<ul style="list-style-type: none"> • PCV valve • Oil filler cap 	<ul style="list-style-type: none"> • Electronic control units, sensors, actuators, wiring harnesses, hoses, connectors, clamps, fittings, gasket, mounting hardware
<ul style="list-style-type: none"> • EGR valve 		
Catalyst or Thermal Reactor Systems		
<ul style="list-style-type: none"> • Catalytic converter • Exhaust manifold 		

Any warranted emissions-related part scheduled for replacement as required maintenance is warranted by John Deere for the period of time prior to the first scheduled replacement point for the part. Any warranted emissions-related part not scheduled for replacement as required maintenance or scheduled only for regular inspection is warranted by John Deere for the stated warranty period.

OWNER'S WARRANTY RESPONSIBILITIES:

As the off-road diesel engine owner you are responsible for the performance of the required maintenance listed in your Operator's Manual. John Deere recommends that the owner retain all receipts covering maintenance on the off-road diesel engine, but John Deere cannot deny warranty solely for the lack of receipts or for the owner's failure to ensure the performance of all scheduled maintenance. However, as the off-road diesel engine owner, you should be aware that John Deere may deny you warranty coverage if your off-road diesel engine or a part has failed due to abuse, neglect, improper maintenance or unapproved modifications.

The off-road diesel engine is designed to operate on diesel fuel as specified in the Fuels, Lubricants and Coolants section in the Operators Manual. Use of any other fuel may result in the engine no longer operating in compliance with applicable emissions requirements.

The owner is responsible for initiating the warranty process, and should present the machine to the nearest authorized John Deere dealer as soon as a problem is suspected. The warranty repairs should be completed by the authorized John Deere dealer as quickly as possible.

Emissions regulations require the customer to bring the unit to an authorized servicing dealer when warranty service is required. As a result, John Deere is NOT liable for travel or mileage on emissions warranty service calls.

Emission_CI_CARB (14Apr20)

DX,EMISSIONS,CARB -19-26AUG20-8/8

RG32759 —UN—19AUG20

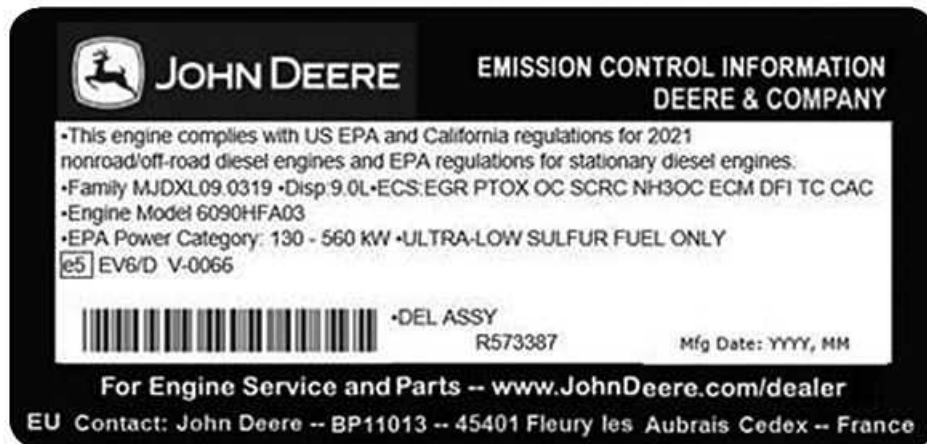
Emissions Performance and Tampering**Operation and Maintenance**

The engine, including the emissions control system, shall be operated, used, and maintained in accordance with the instructions provided in this manual to maintain the emissions performance of the engine within the requirements applicable to the engine's category/certification.

Tampering

No deliberate tampering with or misuse of the engine emissions control system shall take place; in particular with regard to deactivating or not maintaining an exhaust gas recirculation (EGR) or a DEF dosing system. Tampering with an engine's emissions control system will void the European Union (EU) type approval and applicable emissions-related warranties.

DX,EMISSIONS,PERFORM -19-12JAN18-1/1

Carbon Dioxide Emissions (CO₂)

SAMPLE - Engine Emissions Label

To identify the carbon dioxide (CO₂) output, locate the engine emissions label. Find the appropriate family on the emissions label and reference the chart.

representative of the engine type (engine family) and shall not imply or express any guarantee of the performance of a particular engine.

NOTE: The first letter of the family number is not utilized for family identification on the chart.

Emissions Label Family	CO ₂ Result
_JDXL02.9323	952 g/kW-hr
_JDXL02.9327	784 g/kW-hr
_JDXL04.5337	819 g/kW-hr
_JDXL04.5338	682 g/kW-hr
_JDXL04.5304	1004 g/kW-hr
_JDXN04.5174	792 g/kW-hr
_JDXL06.8324	720 g/kW-hr
_JDXL06.8328	683 g/kW-hr
_JDXL06.8336	701 g/kW-hr
_JDXN06.8175	771 g/kW-hr
_JDXL09.0319	646 g/kW-hr
_JDXL09.0325	695 g/kW-hr
_JDXL09.0329	657 g/kW-hr
_JDXL09.0333	650 g/kW-hr
_JDXL13.5326	684 g/kW-hr
_JDXL13.6320	651 g/kW-hr
_JDXL13.5340	632 g/kW-hr
_JDXL18.0341	683 g/kW-hr
F28	870 g/kW-hr
F32	710 g/kW-hr
F33	677 g/kW-hr

This CO₂ measurement results from testing over a fixed test cycle under laboratory conditions a(n) (parent) engine

Continued on next page

DX,EMISSIONS,CO2 -19-20JUL21-1/2

RG33429—UN—04FEB21

FCC Notifications to User

FCC Notification

These devices comply with Part 15 of the FCC Rules. Operation is subject to the following two conditions: (1) These devices may not cause harmful interference, and (2) these devices must accept any interference received, including interference that may cause undesired operation.

These devices must be operated as supplied by John Deere Ag Management Solutions. Any changes or modifications made to these devices without the express written approval of John Deere Ag Management Solutions may void the user's authority to operate these devices.

Modular Telematics Gateway and Satellite Module

This equipment has been tested and found to comply with the limits for Class B digital devices, pursuant to part 15 of the FCC Rules. These limits are designed to provide reasonable protection against harmful interference in a

residential installation. This equipment generates, uses, and can radiate radio frequency energy, and if not installed and used in accordance with the instructions, may cause harmful interference to radio communications. However, no guarantee shall be made that interference will not occur in a particular installation. If this equipment does cause harmful interference to radio or television reception, which can be determined by turning the equipment off and on, the user is encouraged to try to correct the interference by one or more of the following measures:

- Reorient or relocate the receiving antenna.
- Increase the separation between the equipment and receiver.
- Connect the equipment into an outlet on a circuit different from that to which the receiver is connected.
- Consult the dealer or an experienced radio/TV technician for help.

MM16284.000196F -19-20FEB19-1/1

Service ADVISOR™ Remote (SAR)—SOFTWARE TERMS AND CONDITIONS

IMPORTANT -- READ CAREFULLY: THIS SOFTWARE LICENSE AGREEMENT IS A LEGAL CONTRACT BETWEEN YOU AND THE LICENSOR ("LICENSOR") IDENTIFIED BELOW AND GOVERNS YOUR USE OF THE SOFTWARE DELIVERED TO YOUR MACHINE (THE "MACHINE").

BY INDICATING YOUR ACCEPTANCE ON A DISPLAY ON THE MACHINE, BY INSTALLING SOFTWARE TO THE MACHINE, OR USING SOFTWARE ON THE MACHINE, YOU ARE ACCEPTING AND AGREEING TO THE TERMS OF THIS LICENSE AGREEMENT WITH RESPECT TO THE SOFTWARE (THE "Software") THAT IS DELIVERED TO YOUR MACHINE. YOU AGREE THAT THIS SOFTWARE LICENSE AGREEMENT, INCLUDING THE WARRANTY DISCLAIMERS, LIMITATIONS OF LIABILITY AND TERMINATION PROVISIONS BELOW, IS BINDING UPON YOU, AND UPON ANY COMPANY ON WHOSE BEHALF YOU USE THE SOFTWARE AS WELL AS THE EMPLOYEES OF ANY SUCH COMPANY (COLLECTIVELY REFERRED TO AS "YOU" IN THIS SOFTWARE LICENSE AGREEMENT). IF YOU DO NOT AGREE TO THE TERMS OF THIS AGREEMENT, OR IF YOU ARE NOT AUTHORIZED TO ACCEPT THESE TERMS ON BEHALF OF YOUR COMPANY OR ITS EMPLOYEES, PLEASE CLICK THE [Decline] ICON ON THE DISPLAY ON THE MACHINE TO DECLINE THESE TERMS AND CONDITIONS. THIS LICENSE AGREEMENT REPRESENTS THE ENTIRE AGREEMENT CONCERNING THE SOFTWARE BETWEEN YOU AND THE LICENSOR.

- 1. Delivery of Software.** Software may be delivered to your Machine by Licensor wirelessly or via an agent of Licensor, such as a dealer. If it is delivered wirelessly, you may be responsible for any data transmission fees incurred due to such delivery.
- 2. License.** Licensor hereby grants to you, and you accept, a nonexclusive license to use the Software in machine-readable, object code form, only as authorized in this License Agreement and the applicable provisions of the Operators' Manuals, which you agree to review carefully prior to using the Software. The Software may be used only on the Machine to which it was initially delivered. You agree that you will not assign, sublicense, transfer, pledge, lease, rent, or share your rights under this License Agreement, except that you may permanently transfer all of your rights under this License Agreement in connection with the sale of the Machine on which the Software covered by this Agreement is installed.
- 3. Licensor's Rights.** You acknowledge and agree that the Software is proprietary to Licensor and is protected under copyright law. You further acknowledge and agree that all right, title, and interests in and to the Software, including associated intellectual property rights, are and shall remain with Licensor. This License Agreement does not convey to you any title or interest in or to the Software, but only a limited right of use revocable in accordance with the terms of this License Agreement. You agree

that you will not: (a) reverse assemble, reverse compile, modify, or otherwise translate the Software, or attempt to defeat the copyright protection and application enabling mechanisms therein; (b) copy or reproduce the Software; or, (b) remove or obliterate any copyright, trademark or other proprietary rights notices from the Software. You also agree not to permit any third party acting under your control to do any of the foregoing.

4. License Fees. The license fees paid by you, if any, are paid in consideration of the licenses granted under this License Agreement.

5. Limited Warranty. Licensor warrants, for your benefit alone and not for the benefit of any other party, that during the "**Warranty Period**" defined below, the Software will operate substantially in accordance with the applicable functional specifications ("**Specifications**") set forth in the Operators' Manuals. If, prior to expiration of the Warranty Period, the Software fails to perform substantially in accordance with the Specifications, you may return the Machine to the place of purchase for repair or replacement of the non-performing Software. The Warranty Period is ninety (90) days from the date of installation of the Software or the duration of the warranty period of the component of the Machine on which the Software is installed, whichever is longer. The Software Warranty Period does not affect the warranty period of the Machine itself or any component thereof.

6. DISCLAIMER OF WARRANTIES. YOU HEREBY AGREE THAT THE LIMITED WARRANTY PROVIDED ABOVE (THE "**LIMITED WARRANTY**") CONSTITUTES YOUR SOLE AND EXCLUSIVE REMEDY FOR ANY PROBLEM WHATSOEVER WITH THE SOFTWARE. EXCEPT AS PROVIDED IN THE LIMITED WARRANTY, THE SOFTWARE IS LICENSED "AS IS," AND LICENSOR, ITS AFFILIATES AND THIRD PARTY SUPPLIERS EXPRESSLY DISCLAIM AND YOU EXPRESSLY WAIVE, RELEASE AND RENOUNCE ALL WARRANTIES ARISING BY LAW OR OTHERWISE WITH RESPECT TO THE SOFTWARE, INCLUDING, BUT NOT LIMITED TO: ANY IMPLIED WARRANTY OF MERCHANTABILITY OR FITNESS FOR A PARTICULAR PURPOSE; ANY IMPLIED WARRANTY ARISING FROM COURSE OF PERFORMANCE, COURSE OF DEALING OR TRADE USAGE; ANY WARRANTY OF TITLE OR NON-INFRINGEMENT; AND, ANY OTHER WARRANTY ARISING UNDER ANY THEORY OF LAW, INCLUDING TORT, NEGLIGENCE, STRICT LIABILITY, CONTRACT OR OTHER LEGAL OR EQUITABLE THEORY. NO REPRESENTATION OR OTHER AFFIRMATION OF FACT INCLUDING, BUT NOT LIMITED TO, STATEMENTS REGARDING SUITABILITY FOR USE, SHALL BE DEEMED TO BE A WARRANTY BY LICENSOR OR ANY OF ITS AFFILIATES OR THIRD PARTY SUPPLIERS. LICENSOR DOES NOT WARRANT THAT THE SOFTWARE IS ERROR-FREE OR WILL OPERATE WITHOUT INTERRUPTION.

7. LIMITATION OF LIABILITY. EXCEPT AS SET FORTH IN THE LIMITED WARRANTY, UNDER NO CIRCUMSTANCES SHALL LICENSOR, ITS AFFILIATES OR ITS THIRD PARTY SUPPLIERS BE LIABLE TO YOU OR TO ANY THIRD PARTIES FOR DIRECT, INDIRECT, INCIDENTAL OR CONSEQUENTIAL DAMAGES OF ANY KIND, INCLUDING ANY LOSS OR DAMAGE CAUSED BY THE SOFTWARE; ANY PARTIAL OR TOTAL FAILURE OF THE SOFTWARE; PERFORMANCE, NONPERFORMANCE OR DELAYS IN CONNECTION WITH ANY INSTALLATION, MAINTENANCE, WARRANTY OR REPAIRS OF THE SOFTWARE, DAMAGES FOR CROP LOSS, DAMAGE TO LAND, LOST PROFITS, LOSS OF BUSINESS OR LOSS OF GOODWILL, LOSS OF USE OF EQUIPMENT OR SERVICES OR DAMAGES TO BUSINESS OR REPUTATION ARISING FROM THE PERFORMANCE OR NON-PERFORMANCE OF ANY ASPECT OF THIS AGREEMENT, WHETHER IN CONTRACT, TORT OR OTHERWISE, AND WHETHER OR NOT LICENSOR, ITS AFFILIATES OR ITS THIRD PARTY SUPPLIERS HAVE BEEN ADVISED OF THE POSSIBILITY OF SUCH DAMAGES. IN NO EVENT SHALL LICENSOR'S CUMULATIVE LIABILITY TO YOU OR TO ANY OTHER PARTY FOR ANY LOSSES OR DAMAGES RESULTING FROM ANY CLAIMS, LAWSUITS, DEMANDS, OR ACTIONS ARISING FROM OR RELATING TO USE OF THE SOFTWARE EXCEED YOUR TOTAL PAYMENT FOR THE MACHINE AND FOR THE LICENSE OF THE SOFTWARE.

8. Termination of License. Licensor may terminate the license granted under this Agreement upon written notice of termination provided to you if you violate any material term of this Agreement pertaining to your use of the Software or Licensor's rights, including, without limitation, the provisions of Sections 2 and 3 above.

9. Compliance with Law. You agree that you will use the Software in accordance with United States law and the laws of the country in which you are located, as applicable, including foreign trade control laws and regulations. The Software may be subject to export and other foreign trade controls restricting re-sales and/or transfers to other countries and parties. By accepting the terms of this Agreement, you acknowledge that you understand that the Software may be so controlled, including, but not limited to, by the Export Administration Regulations and/or the foreign trade control regulations of the Treasury Department of the United States. Any other provision of this Agreement to the contrary notwithstanding, you agree that the Software will not be resold, re-exported or otherwise transferred. The Software remains subject to applicable U.S. laws.

10. Indemnification. You agree to defend, indemnify and hold Licensor, its affiliates and third party supplier, and their, officers, directors, employees, agents and representatives (each an "Indemnified Party"), harmless

from and against all claims, demands proceedings, injuries, liabilities, losses, or costs and expenses (including reasonable legal fees) brought by any third party against any such persons arising from or in connection with your use of the Software, regardless of whether such losses are caused, wholly or partially, by any negligence, breach of contract or other fault of an Indemnified Party.

11. Costs of Litigation. If any claim or action is brought by either party to this License Agreement against the other party regarding the subject matter hereof, the prevailing party shall be entitled to recover, in addition to any other relief granted, reasonable attorney fees and expenses of litigation.

12. Severability and Waiver. Should any term of this Agreement be declared void or unenforceable by any court of competent jurisdiction, such declaration shall have no effect on the remaining terms hereof. The failure of either party to enforce any rights granted hereunder or to take action against the other party in the event of any breach hereunder shall not be deemed a waiver by that party as to subsequent enforcement of rights of subsequent actions in the event of future breaches.

13. Language Clause. If you are a resident of Canada at the time you accept this Agreement, then the parties hereby acknowledge that they have required this Agreement, and all other documents relating hereto, be drawn up in the English language only. Les parties reconnaissent avoir demandé que le présent contrat ainsi que toute autre entente ou avis requis ou permis à être conclu ou donné en vertu des stipulations du présent contrat, soient rédigés en langue anglaise seulement. If you are a resident of any country other than the United States, Canada, Great Britain, Australia or New Zealand then you agree as follows: there may be a translated version of this Agreement. If there is an inconsistency or contradiction between the translated version and the English version of this Agreement, the English version of this Agreement shall control.

14. Assignment by Licensor. Licensor may assign this Agreement without your prior consent to any company or entity affiliated with Licensor, or by an assignment associated with a corporate restructuring, merger or acquisition.

15. Governing Law and Forum. This Agreement will be governed by and construed in accordance with the substantive laws identified in the table in Section 18, below. The respective courts of the venue identified in the table in Section 18, below, for the location of the Machine shall have non-exclusive jurisdiction over all disputes relating to this Agreement. This Agreement will not be governed by the conflict of law rules of any jurisdiction or the United Nations Convention on Contracts for the International Sale of Goods, the application of which is expressly excluded.

16. Specific Exceptions.

16.1 Limited Warranty for Users Residing in European Economic Area Countries or Switzerland.

If you obtained the Software in any European Economic Area country or Switzerland, and you usually reside in such country, then Section 6 does not apply, instead, Licensor warrants that the Software provides the functionalities set forth in the Operators Manuals (the "**agreed upon functionalities**") for the Warranty Period. As used in this Section, "Warranty Period" means one (1) year. Non-substantial variation from the agreed upon functionalities shall not be considered and does not establish any warranty rights. THIS LIMITED WARRANTY DOES NOT APPLY TO SOFTWARE PROVIDED TO YOU FREE OF CHARGE, FOR EXAMPLE, UPDATES, OR SOFTWARE THAT HAS BEEN ALTERED BY YOU, TO THE EXTENT SUCH ALTERATIONS CAUSED A DEFECT. To make a warranty claim, during the Warranty Period you must return, at our expense, the Software and proof of purchase to the location where you obtained it. If the functionalities of the Software vary substantially from the agreed upon functionalities, Licensor is entitled -- by way of re-performance and at its own discretion -- to repair or replace the Software. If this fails, you are entitled to a reduction of the purchase price (reduction) or to cancel the purchase agreement (rescission). For further warranty information, please contact Licensor at the address listed in Section 18.

16.2 Limitation of Liability for Users Residing in European Economic Area Countries or Switzerland.

(a) If you obtained the Software in any European Economic Area country or Switzerland, and you usually reside in such country, then Sections 7 and 10 do not apply. Instead, Licensor's statutory liability for damages shall be limited as follows: (a) Licensor shall be liable only up to the amount of damages as typically foreseeable at the time of entering into this Agreement in respect of damages caused by a slightly negligent breach of a material contractual obligation and (b) Licensor shall

not be liable for damages caused by a slightly negligent breach of a non-material contractual obligation.

(b) The aforesaid limitation of liability shall not apply to any mandatory statutory liability, in particular, to liability under the German Product Liability Act, liability for assuming a specific guarantee or liability for culpably caused personal injuries.

(c) You are required to take all reasonable measures to avoid and reduce damages, in particular to make back-up copies of the Software and your computer data subject to the provisions of this Agreement.

17. Representations of Licensee. BY ACCEPTING THIS AGREEMENT, YOU: (A) ACKNOWLEDGE THAT YOU HAVE READ AND UNDERSTAND THIS AGREEMENT; (B) REPRESENT THAT YOU HAVE THE AUTHORITY TO ENTER INTO THIS AGREEMENT; (C) AGREE THAT THIS AGREEMENT IS ENFORCEABLE AGAINST YOU AND ANY LEGAL ENTITY THAT OBTAINED THE SOFTWARE AND ON WHOSE BEHALF IT IS USED; AND, (D) AGREE TO PERFORM THE OBLIGATIONS OF THIS AGREEMENT.

18. Identification of Licensor and Notices. The Licensor is the entity identified in the table below. All notices to Licensor shall be sent by certified or registered mail to the corresponding address for the Licensor given below. In each case a copy of the notice shall also be sent to John Deere Intelligent Solutions Group, ATTN: Legal, 4140 114th Street Urbandale, IA 50322 U.S.A. All notices to Licensor shall be effective upon receipt. All notices required to be given to you shall, in Licensor's sole discretion, either be sent via certified or registered mail to the address given to Licensor in connection with your purchase of the Machine. Either method of notification used by Licensor shall be effective upon dispatch. You agree to notify Licensor of any change in your address in the manner set forth above.

Place of Purchase	Address	Governing Law	Venue
United States of America	John Deere Shared Services, Inc. One John Deere Place Moline, IL 61265 U.S.A.	State of Illinois, USA	Rock Island County, Illinois, USA
Argentina	Industrias John Deere Argentina, S.A. Casilla de Correo 80 Rosario (Santa Fe), 2000, Argentina	Province of Santa Fe, Argentina	Province of Santa Fe, Argentina
Australia or New Zealand	John Deere Limited (Australia) P.O. Box 2022 Crestmead, Queensland, Australia 4132	State of Queensland, Australia	State of Queensland, Australia
Canada	John Deere Limited 295 Hunter Road P.O. Box 1000 Grimsby, ON L9K 1M3	Province of Ontario, Canada	Province of Ontario, Canada
Chile	John Deere Water, S.A. Cerro Santa Lucia 9990 Quilicura, Santiago, Chile	Province of Santiago, Chile	Province of Santiago, Chile

Continued on next page

OUT4001,00006C5 -19-08NOV10-3/4

Introduction

Mexico	Industrias John Deere, S.A. de C.V. Boulevard Diaz Ordaz #500 Garza Garcia Nuevo Leon 66210, Mexico	State of Nuevo Leon, Mexico	State of Nuevo Leon, Mexico
Europe	ETIC Strassburgerallee 5 67657 Kaiserslautern, Germany	Federal Republic of Germany	Kaiserslautern, Germany
Other	The John Deere entity identified for the location of your Machine on www.JDLink.com .	The John Deere entity identified for the location of your Machine on www.JDLink.com .	The John Deere entity identified for the location of your Machine on www.JDLink.com .

OUT4001,00006C5 -19-08NOV10-4/4

John Deere Online Bookstore

The Technical Service Information Bookstore is available for John Deere Construction & Forestry, and Waratah products.

Technical information can be purchased from John Deere. Publications are available in print, PDF download, or PDF on DVD formats.

Orders can be made using one of the following:

- John Deere Technical Information Store:
<http://www.johndeeretechno.com/>
- Call 1-866-213-3373
- Contact an authorized John Deere dealer

Available information includes:

- PARTS CATALOGS listing service parts available for machines with exploded view illustrations to help identify the correct parts. It is also useful in assembling and disassembling.
- OPERATOR'S MANUALS providing safety, operating, maintenance, and service information.
- TECHNICAL MANUALS outlining service information for machines. Included are specifications, illustrated assembly and disassembly procedures, hydraulic oil flow diagrams, and wiring diagrams. Some products have separate manuals for repair and diagnostic information. Some components, such as engines, are available in a separate component technical manual.



John Deere Online Bookstore

- TRAINING GUIDES AND VIDEOS covering components, preventative maintenance, operation safety, and demonstration tips.

TX1213033—UN—07APR16

MB60223,0005117 -19-01APR22-1/1

Technical Information Feedback Form

We need your help to continually improve our technical publications. Please copy this page and FAX or mail your comments, ideas and improvements.

SEND TO: John Deere Dubuque Works
18600 South John Deere Road
Attn: Publications, Dept. 324
Dubuque, IA 52004-0538
USA

FAX NUMBER: 1-563-589-5800 (USA)

Publication Number: _____

Page Number: _____

Ideas, Comments: _____

Name: _____

Phone: _____

Introduction

Email Address: _____

THANK YOU!

TX,TM,FAX -19-03JUL01-2/2

Contents

Page	Page
Safety—Safety and Operator Conveniences	
Safety and Operator Convenience Features 1-1-1	
Safety—General Precautions	
Information for European Union	
Directives, United Kingdom (UKCA),	
and Eurasian Economic Union	
Technical Regulations Compliance 1-2-1	
Recognize Safety Information 1-2-3	
Follow Safety Instructions 1-2-4	
Operate Only If Qualified 1-2-4	
Wear Protective Equipment 1-2-4	
Protect Against Noise 1-2-5	
Avoid Unauthorized Machine Modifications 1-2-5	
Inspect Machine 1-2-5	
Stay Clear of Moving Parts 1-2-5	
Avoid High-Pressure Fluids 1-2-6	
Avoid High-Pressure Oils 1-2-6	
Work In Ventilated Area 1-2-6	
Avoid Static Electricity Risk When Refueling 1-2-7	
High Debris Applications 1-2-7	
Prevent Fires, Clean Debris From Machine 1-2-8	
In Case of Machine Fire 1-2-8	
Prevent Battery Explosions 1-2-9	
Handle Chemical Products Safely 1-2-9	
Handle Starting Fluid Safely 1-2-9	
Decommissioning — Proper Recycling	
and Disposal of Fluids and Components 1-2-10	
Exhaust Filter Ash Handling and Disposal 1-2-10	
Prepare for Emergencies 1-2-10	
Clean Debris from Machine 1-2-11	
Safety—Operating Precautions	
Use Steps and Handholds Correctly 1-3-1	
Start Only From Operator's Seat 1-3-1	
Use and Maintain Seat Belt 1-3-1	
Heated and Ventilated Operator's Seat 1-3-2	
Prevent Unintended Machine Movement 1-3-3	
Avoid Work Site Hazards 1-3-4	
Keep Riders Off Machine 1-3-4	
Avoid Backover Accidents 1-3-5	
Avoid Machine Tip Over and Machine	
Damage 1-3-5	
Operating or Traveling On Public Roads 1-3-5	
Inspect and Maintain ROPS 1-3-6	
Operating in Water and Mud 1-3-6	
Travel Safely 1-3-6	
Prevent Acid Burns 1-3-7	
Add and Operate Attachments Safely 1-3-7	
Safety—Maintenance Precautions	
Park And Prepare For Service Safely 1-4-1	
Service Machines Safely 1-4-1	
Clean Exhaust Filter Safely 1-4-2	
Service Cooling System Safely 1-4-3	
Service Accumulator Systems Safely 1-4-3	
Remove Paint Before Welding or Heating 1-4-3	
Make Welding Repairs Safely 1-4-4	
Drive Metal Pins Safely 1-4-4	
Service Tires Safely 1-4-5	
Use Proper Lifting Equipment 1-4-5	
Using Pressurized Air 1-4-6	
Safety—Safety Signs and Other Instructions	
Safety Signs and Other Instructions 1-5-1	
Operation—Operator's Station	
Primary Display Unit (PDU) Functions 2-1-1	
Sealed Switch Module (SSM) 2-1-11	
Sealed Switch Module (SSM) Functions 2-1-13	
Using the Seat Belt 2-1-17	
Front Console 2-1-18	
Adjusting Front Console 2-1-19	
Engine Speed Control and 6WD Switches 2-1-20	
Levers 2-1-21	
Levers—Grade Pro Machines Only 2-1-22	
Pedals 2-1-26	
Lights 2-1-27	
Heating and Fan Controls 2-1-28	
Fire Extinguisher Mounting Location 2-1-28	
Opening Lower Front Windows—If Equipped .. 2-1-29	
Opening Side Windows 2-1-29	
Cab Door Release 2-1-30	
Adjusting Seat 2-1-31	
Adjusting Premium Seat—If Equipped 2-1-32	
Adjusting Premium Seat—Grade Pro	
Machines Only 2-1-33	
12-Volt Auxiliary Power Outlet 2-1-37	
Radio—If Equipped 2-1-38	
Operation—Operating the Machine	
Before Starting Work 2-2-1	

Continued on next page

Original Instructions. All information, illustrations and specifications in this manual are based on the latest information available at the time of publication. The right is reserved to make changes at any time without notice.

COPYRIGHT © 2023
 DEERE & COMPANY
 Moline, Illinois
 All rights reserved.
 A John Deere ILLUSTRATION™ Manual
 Previous Editions
 Copyright © 2017, 2018, 2019, 2020, 2021, 2022

	Page
Inspect Machine Daily Before Starting	2-2-1
Check Instruments Before Starting.....	2-2-2
Battery Disconnect Switch.....	2-2-3
Engine Break-In Period	2-2-3
Starting the Engine	2-2-4
Operator Ability.....	2-2-5
Required Machine Stop Warning.....	2-2-5
Cold Weather Starting	2-2-7
Using Coolant Heater—If Equipped	2-2-8
Using Hydraulic Pump Soft Start Valve	2-2-8
Check Instruments After Starting.....	2-2-9
Exhaust Filter.....	2-2-10
Selective Catalytic Reduction (SCR) System Overview	2-2-12
US EPA Qualified Emergency Use — SCR Derate Override Option	2-2-14
EU Qualified Emergency Use — SCR Derate Override Option	2-2-15
Service ADVISOR™ Remote (SAR) Software Delivery Process	2-2-16
Stopping the Engine	2-2-17
Operating in Water and Mud	2-2-17
Driving Up a Steep or Slippery Slope	2-2-17
Secondary Steering—If Equipped	2-2-18
Emergency Stopping	2-2-18
Engine Speed Control Operation.....	2-2-19
6WD Operation—If Equipped	2-2-20
Precision Mode Operation—If Equipped	2-2-21
Operating Grade Pro System—If Equipped	2-2-22
Operation on a Grade.....	2-2-23
Transmission Control Operation.....	2-2-24
Hydraulic Control Lever Operation	2-2-25
Hydraulic Control Lever Operation—Grade Pro Machines Only	2-2-29
Cross Slope Control System Operation—Grade Pro Machines Only	2-2-40
Machine Damage Avoidance Operation—If Equipped (Grade Pro Machines Only).....	2-2-43
Blade Stow Operation—If Equipped (Grade Pro Machines Only)	2-2-44
Auto-Pass Operation—If Equipped (Grade Pro Machines Only)	2-2-44
Using Differential Lock.....	2-2-45
Disengaging and Engaging Saddle Lock Pin	2-2-49
Moving Blade to Bank Position.....	2-2-51
Parking the Machine.....	2-2-52
Transmission—Limp Home	2-2-53
Transmission Operation	2-2-54
Front and Rear Cameras—If Equipped	2-2-56
Rear Camera—If Equipped	2-2-57
Tire Changing Tip	2-2-57
Lifting the Machine	2-2-58
Loading Machine for Transport.....	2-2-60
Recovery Procedure.....	2-2-62

Operation—Monitor Operation

	Page
Aftertreatment Indicators Overview	2-3-1
Primary Display Unit (PDU).....	2-3-2
Main Menu.....	2-3-3
Main Menu—Display Settings	2-3-4
Main Menu—Camera—If Equipped.....	2-3-5
Main Menu—Calibrations—Cross Slope (Grade Pro Machines Only)	2-3-6
Main Menu—Calibrations—Hydraulic Valve Calibrations (Grade Pro Machines Only)	2-3-14
Main Menu—Calibrations—6WD.....	2-3-15
Main Menu—Calibrations—Transmission	2-3-15
Main Menu—Calibrations—Articulation Angle	2-3-16
Main Menu—Calibrations—Steering Angle	2-3-16
Main Menu—Calibrations—Cylinders	2-3-17
Main Menu—Economy (ECO) Mode	2-3-17
Main Menu—Security	2-3-18
Main Menu—Machine Setup	2-3-20
Main Menu—Automation Setup.....	2-3-27
Main Menu—Diagnostics.....	2-3-30
Main Menu—Machine Fan	2-3-36
Main Menu—Job Timer	2-3-37
Main Menu—About.....	2-3-38
Main Menu—Software Update	2-3-40
Main Menu—Exhaust Filter	2-3-41
Main Menu—Exhaust Filter Auto Cleaning.....	2-3-41
Main Menu—Exhaust Filter Parked Cleaning	2-3-42
Main Menu—Exhaust Filter Emergency Override	2-3-43

Maintenance—Machine

Required Emission-Related Information.....	3-1-1
Diesel Fuel.....	3-1-1
Diesel Fuel Specifications	3-1-2
Lubricity of Diesel Fuel	3-1-2
Handling and Storing Diesel Fuel	3-1-2
Biodiesel Fuel.....	3-1-3
Supplemental Diesel Fuel Additives	3-1-4
Testing Diesel Fuel	3-1-4
Fuel Filters.....	3-1-4
Diesel Exhaust Fluid (DEF) — Use in Selective Catalytic Reduction (SCR) Equipped Engines	3-1-5
Refilling Diesel Exhaust Fluid (DEF) Tank.....	3-1-6
Testing Diesel Exhaust Fluid (DEF).....	3-1-7
Storing Diesel Exhaust Fluid (DEF).....	3-1-7
Disposal of Diesel Exhaust Fluid (DEF)	3-1-8
Minimizing the Effect of Cold Weather on Diesel Engines	3-1-9
John Deere Break-In Plus™ Engine Oil — Interim Tier 4, Final Tier 4, Stage IIIB, Stage IV, and Stage V.....	3-1-10

Continued on next page

This as a preview PDF file from best-manuals.com



Download full PDF manual at best-manuals.com