

[CLICK HERE FOR
STANDARD
TABLE OF CONTENTS](#)

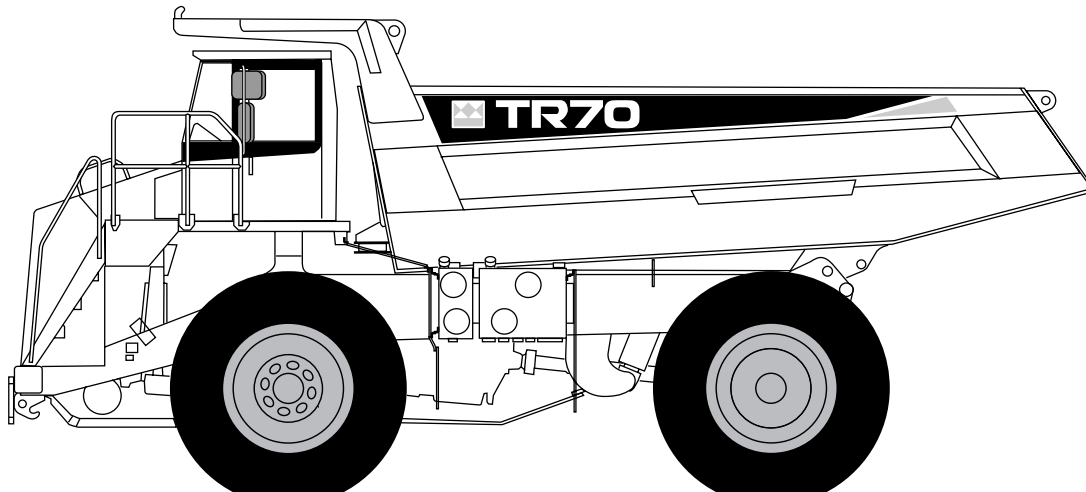
[CLICK HERE FOR
OPTIONAL
TABLE OF CONTENTS](#)



Parts Book

**Part Number
15274019**

P10386



TR70 Off-Highway Truck

(Detroit Diesel 12V2000 760 hp Engine)

From Serial No. T7891001

17 July 2000
Revised Jan 02

PUBLISHED BY:
PRODUCT SUPPORT DEPARTMENT

TEREX EQUIPMENT LIMITED
MOTHERWELL, SCOTLAND

THIS PAGE IS INTENTIONALLY LEFT BLANK



WARRANTY ON PARTS AND ATTACHMENTS

Terex Equipment Limited warrants that for a period of six months after sale of new Terex replacement parts or attachments by an authorised Terex dealer it will repair, or at its option, replace any defective or malfunctioning part or attachment. This warranty covers only malfunctions resulting from defects in material or workmanship.

This warranty does not cover malfunctions resulting from negligence, alteration, accident or overloading; use for a purpose for which the part or attachment is not designed or approved by Terex; loss of time, inconvenience, loss of use of the vehicle or other consequential damages; or labour for removal or reinstallation of defective or malfunctioning parts or attachments.

Repairs or replacements qualifying under this warranty will be performed by any authorised Terex dealer within a reasonable time following delivery of the malfunctioning part or attachment to the dealer's place of business.

Defective or malfunctioning parts or attachments must be delivered to an authorised Terex dealer's place of business during regular business hours for warranty repairs or replacements. The dealer must be furnished with the purchaser's copy of the sales slip or repair order to validate date of purchase.

* * * * *

SOLE WARRANTY

This is the only express warranty applicable to new Terex parts and attachments sold by Terex dealers and Terex neither assumes nor authorises anyone to assume for it any other obligation or liability in connection with such parts or attachments.

THIS PAGE IS INTENTIONALLY LEFT BLANK



INSTRUCTIONS FOR USE OF TEREX PARTS BOOK

This Parts Book is divided into Major Sections which cover components corresponding to specific areas of the machine.

Printed at the top left hand corner of each Parts Page is an Index Code which includes three numbers - the first of these relates to a Major Section, the second indicates a Sub-section within a Major Section and the last the model PLI number. Certain Major Sections may not apply to the particular model covered in this Parts Book and, consequently, will be omitted.

An illustrated Index page shows all the Major Component Section numbers included in the book. For example -

SECTION 100 - CHASSIS

SECTION 140 - FRONT AXLE GROUP

SECTION 230 - BODY HOIST SYSTEM etc.

Major Component Sections are listed in the 'Table Of Contents' pages together with Sub-section headings.
For example to locate the serviceable items of a Steering Cylinder -

1. The Table of Contents shows the steering components to be in Major Section 220.
2. The steering cylinder is listed in Major Section 220, Sub-section 0120
3. Select the Parts Page Code that applies to the unit Serial number for which parts are needed and locate the Page with reference number.
EXAMPLE - 220-0120.

SERIAL NUMBERS - Each Parts Book covers a particular range of unit Serial Numbers.

It is important that unit Serial Numbers are quoted on all orders for Parts.

PARTS LISTS - Parts Forms usually consist of detailed parts information listed on one page together with a parts illustration on the opposite page. The parts list is printed in the order of the reference numbers shown on the parts illustration. The first column lists Note Letters; the second lists the reference numbers; the third shows quantity required and the fourth gives the parts descriptions. Parts which are part of an assembly have their descriptions indented beneath the assembly description.

ILLUSTRATIONS - These show typical assemblies and individual piece parts. They are intended for general reference only and may not always show exact details of parts. Parts are identified on each illustration with an item number. Note the item number of the part required and locate it in the parts list. The part number opposite the item number is the part to order.

INDENTATIONS - Parts which are indented under another part are Sub-groups of a Major Assembly or Sub-assembly. Parts which are not indented are major assemblies or individual component parts which do not belong to a major assembly.

EXAMPLE - 1 9052564 Pump Assy.
 2 9058512 . Shaft
 3 9024169 . Ring
 4 9058132 . Control Assy.
 5 9058135 . . Spring
 6 9072162 Gasket

- If you order Item 1, you will receive Items 1 - 5.
- If you order Item 4, you will receive Items 4 and 5.
- If you order Item 6, you will receive only Item 6.

NOTES - Whenever there is an alphabetical symbol to the left of the item number, refer to the corresponding note at the bottom of the form for information regarding ordering or application of the particular part number(s) noted.

ABBREVIATIONS - The abbreviations in this book have the following meanings -

Amps	Amperes	Hsg	Housing	N.I	Not Illustrated
As R	As Required	I.D	Inside Diameter	N.L.A	No Longer Available
Assy	Assembly	L.H	Left Hand	N.S.S	Not Sold Separately
Brkt	Bracket	L.W	Lockwasher	O.D	Outside Diameter
Cad-Pltd	Cadium Plated	Lg	Long	Pr	Pair
Comm	Commencement of production	Lkg	Linkage	P.T.O	Power-Take-Off
E.S.N	Elastic Stop Nut	Mtg	Mounting	R.H	Right Hand
Ftgs	Fittings	N.C	Note Code	Std	Standard



Truck



STANDARD SECTIONS



CHASSIS

100



ENGINE

110



TRANSMISSION

120



DRIVELINE

130



FRONT AXLE

140



REAR AXLE

160



BRAKE PARTS

165



SUSPENSION SYSTEM

180



ELECTRICAL SYSTEM

190



FUEL SYSTEM

200



COOLING SYSTEM

210



STEERING SYSTEM

220



BODY SYSTEM

230



BRAKING SYSTEM

250



CAB

260



BODY

270



DECALS

290



MISCELLANEOUS

300

TABLE OF CONTENTS FOR MODEL

TR70

FROM SERIAL NO T7891001

28/01/02

SECT - PAGE - PLI DESCRIPTION

SECTION 100 CHASSIS

100-0010-7891	CHASSIS	R1 03/01
100-0040-7891	HOOD AND MOUNTING	
100-0070-7891	FENDERS AND MOUNTING	R1 03/01
100-0070-7891	FENDERS AND MOUNTING	R1 01/02
100-0090-7891	LADDERS AND HANDRAILS	R1 03/01
100-0100-7891	RADIATOR GUARD AND MOUNTING	R1 01/02
100-0100-7891	RADIATOR GUARD AND MOUNTING	01/02
100-0140-7891	MUDGUARDS	R1 07/01

SECTION 110 ENGINE

110-0020-7891	ENGINE ORDERING INSTRUCTIONS	
110-0030-7891	ENGINE AND MOUNTING	R3 01/02
110-0050-7891	AIR CLEANER	
110-0060-7891	AIR CLEANER PIPES AND HOSES	R2 07/01
110-0130-7891	POWER TAKEOFF - ENG	

SECTION 120 TRANSMISSION

120-0010-7891	TRANSMISSION MOUNTING	R1 03/01
120-0020-7891	TRANSMISSION BREAKDOWN	R1 03/01
120-0020-7891	TRANSMISSION BREAKDOWN	03/01
120-0050-7891	CONTROL VALVE	R1 03/01
120-0050-7891	CONTROL VALVE	03/01
120-0070-7891	SHIFT CONTROL	R1 03/01
120-0070-7891	SHIFT CONTROL	R1 01/02
120-0070-7891	SHIFT CONTROL	01/02
120-0090-7891	POWER TAKEOFF - TRANS	
120-0100-7891	FILTER	R1 03/01
120-0100-7891	FILTER	03/01
120-0110-7891	OIL LINES-TRANSMISSION	
120-0190-7891	RETARDER CONTROL LINES-HYD	
120-0200-7891	FRONT COVER & CONVERTER GROUP	R1 03/01
120-0200-7891	FRONT COVER & CONVERTER GROUP	03/01
120-0210-7891	CONVERTER HOUSING GROUP	R1 03/01
120-0210-7891	CONVERTER HOUSING GROUP	R1 07/01
120-0220-7891	OIL PUMP	R1 03/01
120-0220-7891	OIL PUMP	03/01
120-0230-7891	FILTER ADAPT/REGULATOR VALVES	R1 03/01
120-0230-7891	FILTER ADAPT/REGULATOR VALVES	03/01
120-0240-7891	LOCKUP VALVE	R1 03/01
120-0240-7891	LOCKUP VALVE	03/01

SECT - PAGE - PLI DESCRIPTION

SECTION 120 TRANSMISSION

120-0250-7891	LOCKUP DROP OUT	R1 03/01
120-0260-7891	RETARDER GROUP	R1 03/01
120-0260-7891	RETARDER GROUP	03/01
120-0270-7891	RETARDER CONTROL VALVE	R1 03/01
120-0270-7891	RETARDER CONTROL VALVE	03/01
120-0280-7891	SPLITTER GEARING AND CLUTCHES	R1 03/01
120-0280-7891	SPLITTER GEARING AND CLUTCHES	03/01
120-0290-7891	MAIN HOUSING GROUP	R1 03/01
120-0290-7891	MAIN HOUSING GROUP	03/01
120-0300-7891	HIGH RANGE GEARING & CLUTCHES	R1 03/01
120-0300-7891	HIGH RANGE GEARING & CLUTCHES	03/01
120-0310-7891	INTER RANGE GEARING & CLUTCHES	R1 03/01
120-0310-7891	INTER RANGE GEARING & CLUTCHES	03/01
120-0320-7891	LOW RANGE GEARING & CLUTCHES	R1 03/01
120-0320-7891	LOW RANGE GEARING & CLUTCHES	03/01
120-0330-7891	REV RANGE GEARING & CLUTCHES	R1 03/01
120-0330-7891	REV RANGE GEARING & CLUTCHES	03/01
120-0340-7891	REAR COVER GROUP	R1 03/01
120-0340-7891	REAR COVER GROUP	03/01

SECTION 130 DRIVELINE

130-0010-7891	FRONT DRIVELINE
130-0020-7891	REAR DRIVELINE

SECTION 140 FRONT AXLE

140-0040-7891	WHEEL, RIM AND TYRE-FRONT	R1 08/01
140-0040-7891	WHEEL, RIM AND TYRE-FRONT	08/01

SECTION 160 REAR AXLE

160-0020-7891	DIFFERENTIAL-REAR	R2 07/01
160-0020-7891	DIFFERENTIAL-REAR	07/01
160-0030-7891	AXLE GROUP-REAR	R1 03/01
160-0040-7891	PLANETARY GEARING-REAR	R1 01/02
160-0040-7891	PLANETARY GEARING-REAR	01/02
160-0050-7891	WHEEL, RIM AND TYRE-REAR	R1 01/02

SECTION 165 BRAKE PARTS

165-0020-7891	BRAKE PARTS-FRONT WHEEL-RIGIDS
165-0030-7891	BRAKE PARTS-REAR WHEEL-RIGIDS

TABLE OF CONTENTS FOR MODEL

TR70

FROM SERIAL NO T7891001

28/01/02

SECT - PAGE - PLI DESCRIPTION

SECTION 180 SUSPENSION SYSTEM

180-0030-7891 FRONT RIDE CYLINDER R1 03/01
 180-0050-7891 REAR RIDE CYLINDER

SECTION 190 ELECTRICAL SYSTEM

190-0010-7891 TERMINALS
 190-0011-7891 CONNECTORS
 190-0030-7891 CABLES/HARNESSES-CAB R1 03/01
190-0030-7891 CABLES/HARNESSES-CAB R1 01/02
190-0030-7891 CABLES/HARNESSES-CAB 01/02
 190-0040-7891 CABLES/HARNESSES-CHASS/ENG R1 03/01
 190-0040-7891 CABLES/HARNESSES-CHASS/ENG 03/01
 190-0070-7891 BATTERY AND CABLES
 190-0080-7891 BATTERY MOUNTING R1 03/01
 190-0080-7891 BATTERY MOUNTING 03/01
 190-0100-7891 ELECTRICAL LIGHTING SYSTEM
 190-0110-7891 ALTERNATOR
 190-0120-7891 STARTER MOTOR
190-0270-7891 SWITCHES & SENSORS R2 01/02
190-0300-7891 RADIO CASSETTE AND SPEAKERS R1 01/02
190-0300-7891 RADIO CASSETTE AND SPEAKERS 01/02
 190-0310-7891 ELECTRICAL HORN

SECTIN 200 FUEL SYSTEM

200-0010-7891 FUEL TANK AND MOUNTING R2 01/02
 200-0040-7891 FUEL LINES R2 07/01
200-0050-7891 ACCELERATOR LINKAGE R1 01/02

SECTION 210 COOLING SYSTEM

210-0010-7891 RADIATOR ASSEMBLY
 210-0020-7891 RADIATOR MOUNTING R1 03/01
 210-0030-7891 RADIATOR PIPING R1 03/01
 210-0040-7891 RADIATOR HEADER TANK AND HOSES
 210-0050-7891 OIL COOLER-DISC BRAKES R2 07/01
 210-0051-7891 OIL COOLER PIPING-DISC BRAKES R1 03/01
210-0060-7891 OIL COOLER AND PIPING-TRANS R4 01/02

SECTION 220 STEERING SYSTEM

220-0010-7891 STEERING LINES R1 01/02
 220-0040-7891 TANK AND MOUNTING-STEERING
 220-0050-7891 PUMP-STEERING

SECT - PAGE - PLI DESCRIPTION

SECTION 220 STEERING SYSTEM

220-0060-7891 PUMP AND ACCUMULATOR MOUNTING
 220-0080-7891 ACCUMULATOR-STEERING
 220-0090-7891 STEERING VALVE
 220-0110-7891 DOUBLE RELIEF VALVE
220-0120-7891 STEERING CYLINDER R1 01/02
220-0120-7891 STEERING CYLINDER 01/02
 220-0130-7891 RELIEF VALVE-STEERING
 220-0150-7891 FILTER-STEERING
 220-0190-7891 STEERING LINKAGE
220-0230-7891 STEERING COLUMN MOUNTING 01/02

SECTION 230 BODY HOIST SYSTEM

230-0020-7891 LINES AND FITTINGS-BODY HOIST R1 03/01
 230-0021-7891 SERVO CONTROL LINES-BODY R1 03/01
 230-0040-7891 TANK AND MOUNTING-BODY HOIST R1 03/01
 230-0041-7891 BREATHER LINE-HYDRAULIC TANKS
 230-0050-7891 PUMP-BODY HOIST
 230-0060-7891 CONTROL VALVE-BODY HOIST
 230-0070-7891 CONTROL VALVE MOUNTING
 230-0081-7891 JOYSTICK-BODY CONTROL
 230-0110-7891 MANIFOLD RELIEF VALVE
 230-0120-7891 RELIEF VALVE
 230-0121-7891 PILOT SUPPLY VALVE
 230-0130-7891 HOIST CYLINDERS

SECTION 250 BRAKING SYSTEM

250-0020-7891 BRAKE LINES-HYDRAULIC R2 01/02
 250-0050-7891 BRAKE MANIFOLD/PAS VALVE
 250-0060-7891 BRAKE ACCUMULATOR
 250-0070-7891 TREADLE VALVE R1 09/00
 250-0090-7891 DIRECTIONAL CONTROL VALVE
 250-0100-7891 MONOBLOCK BRAKE VALVE
 250-0130-7891 RETARDER CONTROL VALVE-BRAKES R1 09/00
 250-0240-7891 FILTER ASSY-DISC BRAKE

SECTION 260 CAB

260-0010-7891 CAB ASSEMBLY
 260-0010-7891 CAB ASSEMBLY R1 07/01
 260-0010-7891 CAB ASSEMBLY 07/01

TABLE OF CONTENTS FOR MODEL

TR70

FROM SERIAL NO T7891001

28/01/02

SECT - PAGE - PLI DESCRIPTION

SECT - PAGE - PLI DESCRIPTION

SECTION 260 CAB

260-0011-7891 CAB CENTRE CONSOLE R1 03/01
 260-0011-7891 CAB CENTRE CONSOLE 03/01
 260-0015-7891 CAB MOUNTING R1 03/01
 260-0030-7891 CAB DOOR-LEFT HAND
 260-0040-7891 CAB DOOR-RIGHT HAND
 260-0080-7891 SWITCHES AND INSTRUMENTS R2 03/01
 260-0080-7891 SWITCHES AND INSTRUMENTS 03/01
 260-0090-7891 SEAT-DRIVER R1 03/01
260-0090-7891 SEAT-DRIVER R1 01/02
 260-0110-7891 SEAT-PASSENGER R1 03/01
 260-0110-7891 SEAT-PASSENGER 03/01
 260-0130-7891 AIR CONDITIONER/HEATER
 260-0140-7891 HEATER LINES & WIRING
 260-0145-7891 AIR CONDITIONER LINES
 260-0190-7891 WINDSCREEN WASHER

SECTION 270 BODY

270-0010-7891 BODY ASSEMBLY R2 07/01
270-0010-7891 BODY ASSEMBLY R1 01/02
 270-0020-7891 EXHAUST HEATED BODY
 270-0080-7891 ROCK EJECTORS R1 03/01

SECTION 290 DECALS

290-0010-7891 DECALS-ENGLISH R2 07/01
 290-0010-7891 DECALS-ENGLISH 07/01

SECTION 300 MISCELLANEOUS

300-0020-7891 LUBRICATION SYSTEM
 300-0040-7891 MULTI-TUBE CLAMPS AND HARDWARE

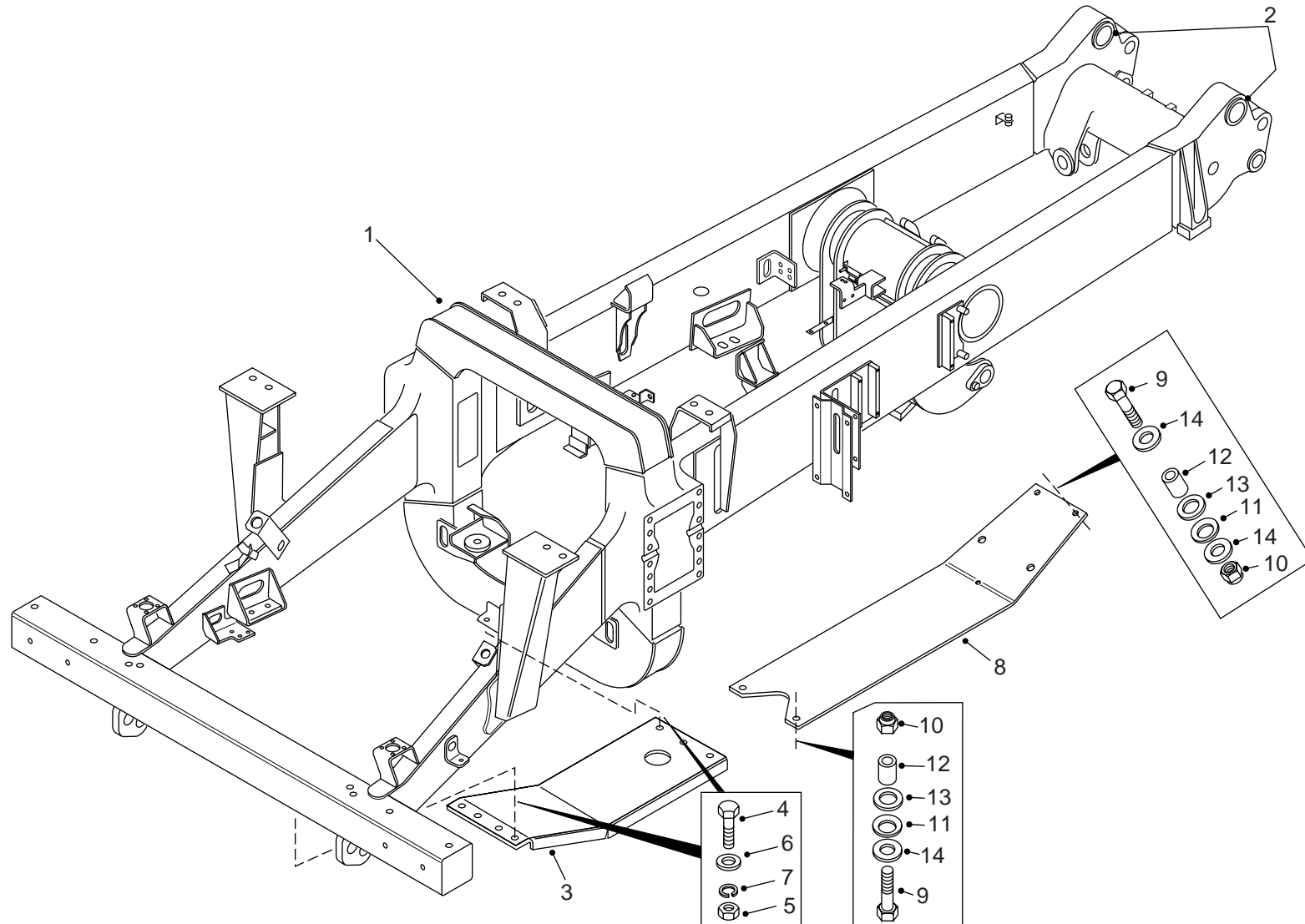
THIS PAGE IS INTENTIONALLY LEFT BLANK

R1 03/01 (ECN 102072)

100-0010-7891 CHASSIS
FROM SERIAL NO. T7891001

DRAWING NO. P10311

P10311



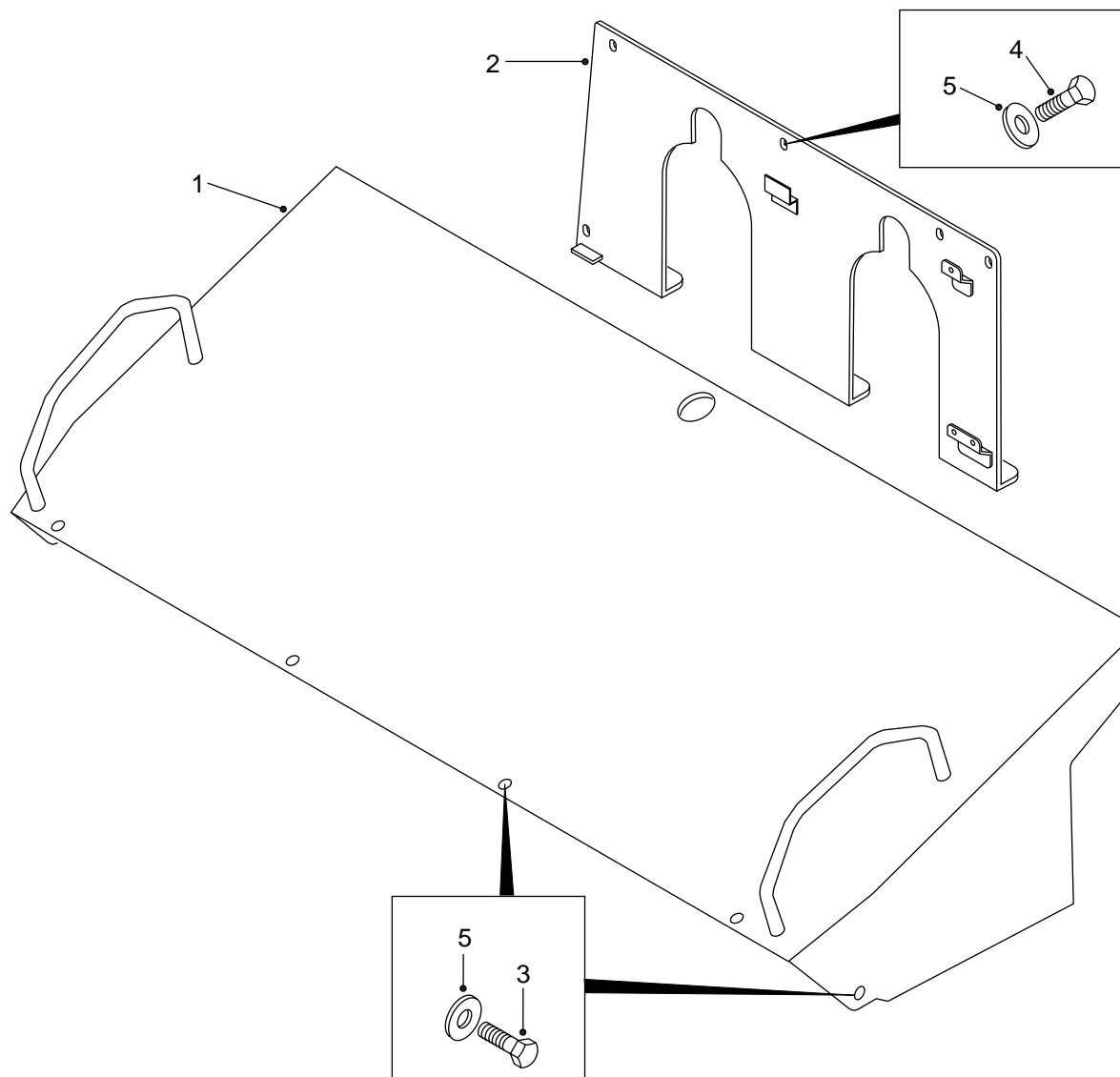
100-0010-7891 CHASSIS
FROM SERIAL NO. T7891001

NC	REF	QTY	PART NO.	DESCRIPTION	SER.NO. FROM	SER.NO. TO
001	001		15306332	FRAME ASSY-COMLETE		
002	002		09011828	.BUSHING		
003	001		15306954	GUARD ASSY-ENG SUMP		
004	007		00271612	BOLT		
005	007		00220081	NUT		
006	007		09250715	WASHER-HARDENED		
007	007		00103332	LOCKWASHER		
008	001		15306929	GUARD ASSY-TRANS		
009	004		00271621	BOLT		
010	004		09355771	NUT		
011	004		15250985	SPRING-DISC		
012	004		15303750	SPACER		
013	004		15303749	WASHER-HARDENED		
014	004		15020053	WASHER		
015	002		09011226	WASHER		

100-0040-7891 HOOD AND MOUNTING
FROM SERIAL NO. T7891001

DRAWING NO. P10476

P10476



100-0040-7891 HOOD AND MOUNTING
FROM SERIAL NO. T7891001

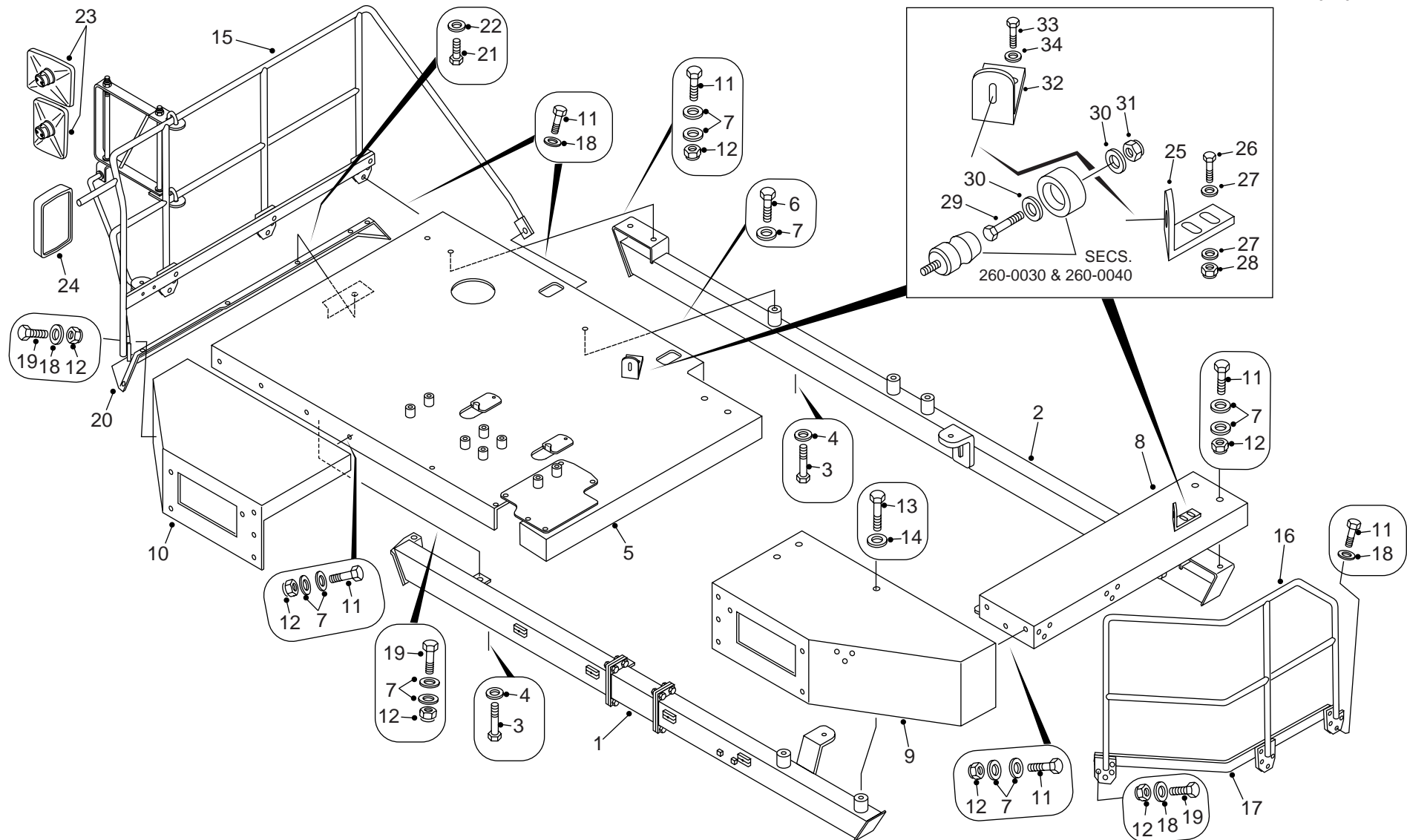
NC	REF	QTY	PART NO.	DESCRIPTION	SER.NO. FROM	SER.NO. TO
001	001		15307515	HOOD ASSEMBLY		
002	001		15307669	PLATE ASSY - AIR CLEAN		
003	010		00179881	BOLT		
004	005		00179883	BOLT		
005	015		09267949	WASHER-HARDENED		

R1 03/01 (ECN 102630)

100-0070-7891 FENDERS AND MOUNTING
SERIAL NO. T7891001 TO T7891022

DRAWING NO. P10479

P10479



100-0070-7891 FENDERS AND MOUNTING

SERIAL NO. T7891001 TO T7891022

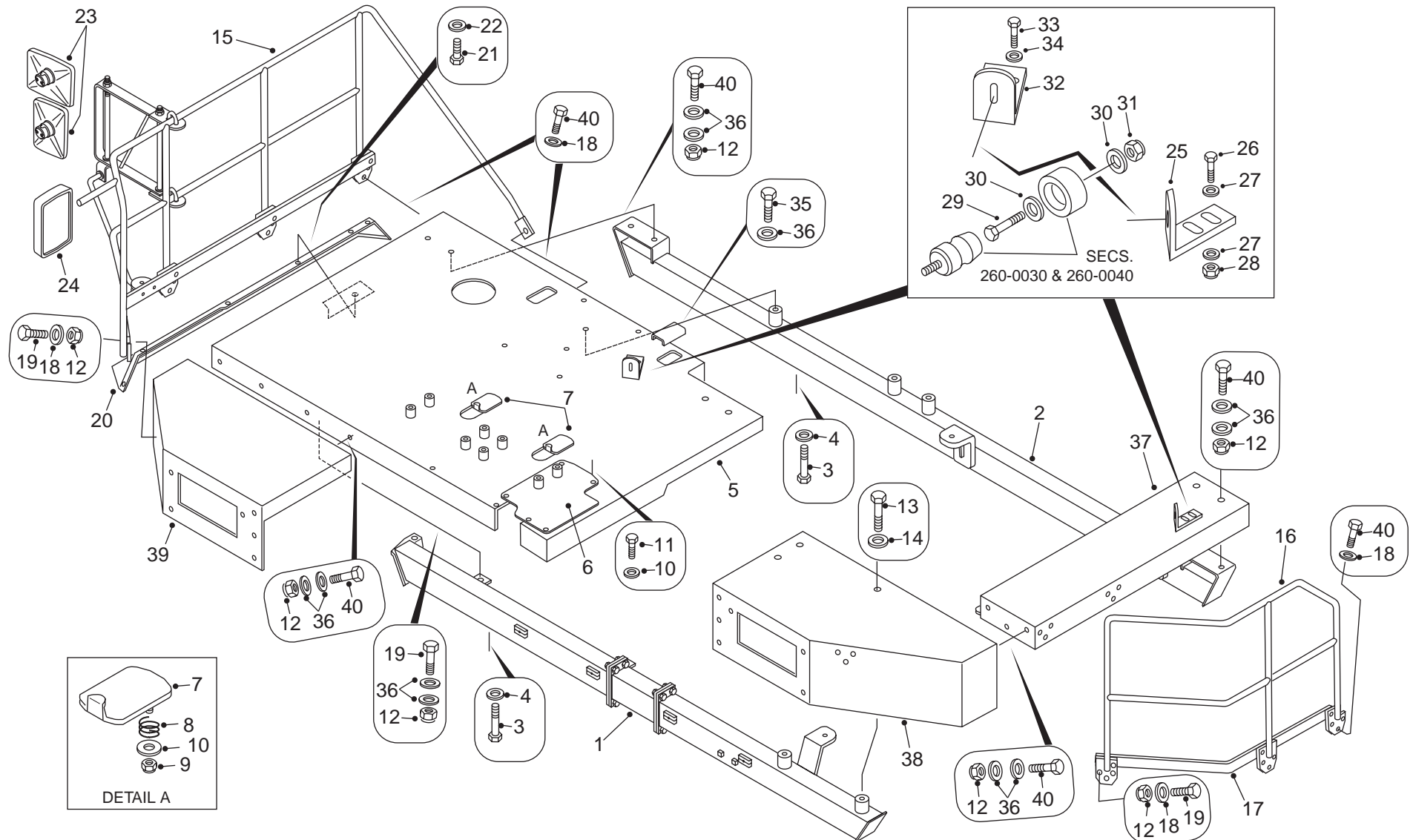
NC	REF	QTY	PART NO.	DESCRIPTION	SER.NO. FROM	SER.NO. TO
001	001		15307090	FRONT CROSSMEMBER ASSY		
002	001		15307098	REAR CROSSMEMBER ASSY		
003	008		00271710	BOLT		
004	008		09019631	WASHER-HARDENED		
005	001		15308302	PLATFORM & COVER ASSY		
006	003		00179891	BOLT		
007	033		09267949	WASHER-HARDENED		
008	001		15307119	PLATFORM LHS		
009	001		15307120	FENDER ASSY LH		
010	001		15307122	FENDER ASSY RH		
011	027		00179885	BOLT		
012	024		00274209	LOCKNUT		
013	002		00271563	BOLT		
014	002		15246956	WASHER-SNUBBING		
015	001		15308742	H/RAIL & K/STRIP ASSY		
016	001		15307496	HANDRAIL ASSY (LH)		
017	001		15307497	KICKSTRIP (LH HANDRAIL		
018	028		09270000	WASHER-HARDENED		
019	013		00179887	BOLT		
020	001		15308449	PLATFORM EXTENSION		
021	006		00179839	BOLT		
022	006		09060202	WASHER-HARDENED		
023	002		09077400	MIRROR		
024	001		15246087	MIRROR-WIDE ANGLE		
025	001		15302618	BRACKET-LH DOOR STOP		
026	002		00179885	BOLT		
027	004		09270000	WASHER-HARDENED		
028	002		00274209	LOCKNUT		
029	002		06350625	BOLT		
030	004		07150620	WASHER		
031	002		06470601	LOCKNUT		
032	001		15309123	BRACKET-RH DOOR STOP		
033	002		00179883	BOLT		
034	002		09267949	WASHER-HARDENED		

R1 01/02 (ECN 103385)

100-0070-7891 FENDERS AND MOUNTING
FROM SERIAL NO. T7891023

DRAWING NO. P10703

P10703



100-0070-7891 FENDERS AND MOUNTING

FROM SERIAL NO. T7891023

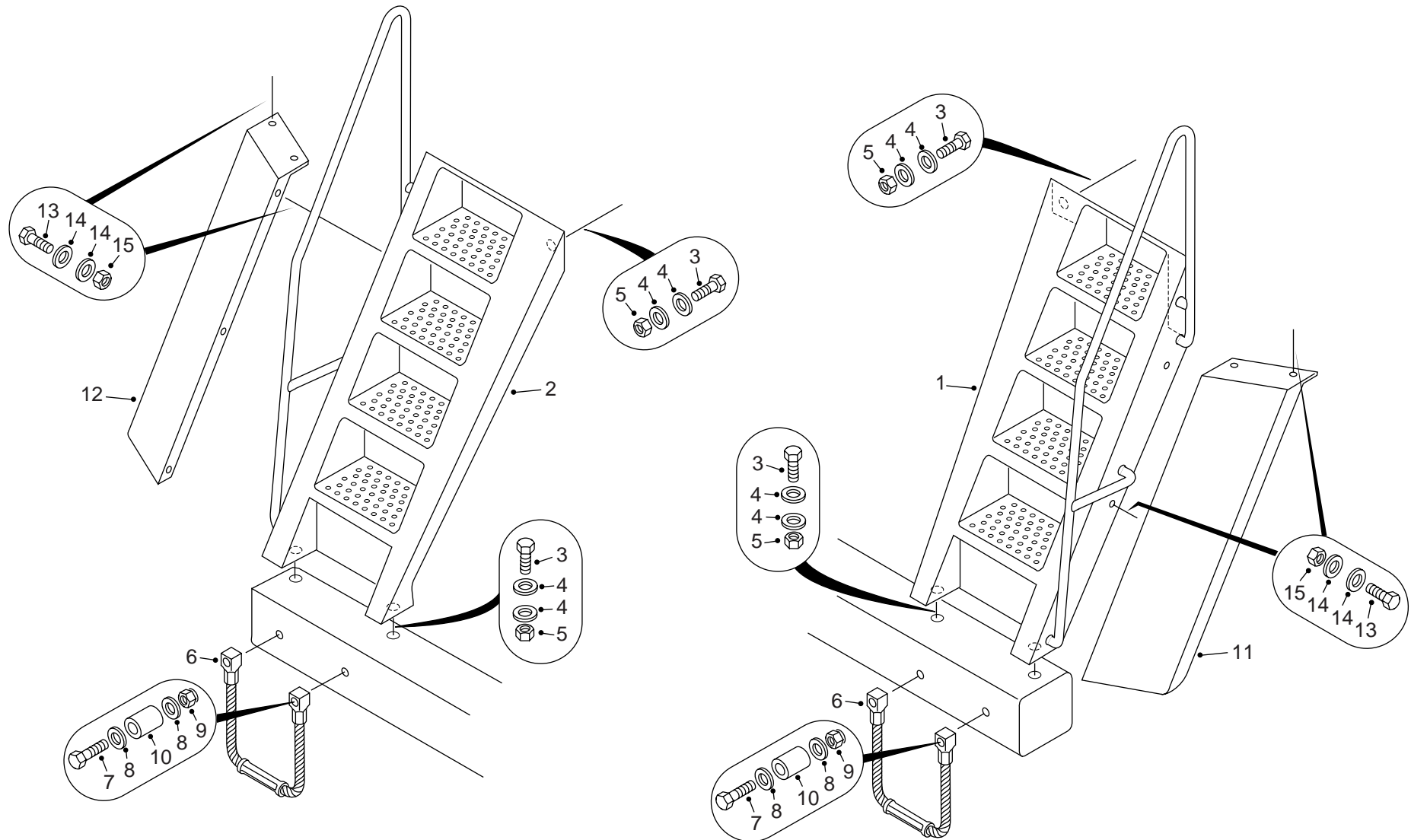
NC	REF	QTY	PART NO.	DESCRIPTION	SER.NO. FROM	SER.NO. TO
001	001		15307090	FRONT CROSSMEMBER ASSY		
002	001		15307098	REAR CROSSMEMBER ASSY		
003	008		00271710	BOLT		
004	008		09019631	WASHER-HARDENED		
005	001		15310467	PLATFORM ASSY R.H.S.		
006	001		15308300	PLATE ASSEMBLY		
007	002		15308973	COVER PLATE ASSEMBLY		
008	002		09073839	SPRING		
009	002		00274209	LOCKNUT		
010	007		09270000	WASHER-HARDENED		
011	005		00179883	BOLT		
012	024		00274209	LOCKNUT		
013	002		00271563	BOLT		
014	002		15246956	WASHER-SNUBBING		
015	001		15308742	H/RAIL & K/STRIP ASSY		
016	001		15307496	HANDRAIL ASSY (LH)		
017	001		15307497	KICKSTRIP (LH HANDRAIL		
018	028		09270000	WASHER-HARDENED		
019	013		00179887	BOLT		
020	001		15308449	PLATFORM EXTENSION		
021	006		00179839	BOLT		
022	006		09060202	WASHER-HARDENED		
023	002		09077400	MIRROR		
024	001		15246087	MIRROR-WIDE ANGLE		
025	001		15302618	BRACKET-LH DOOR STOP		
026	002		00179885	BOLT		
027	004		09270000	WASHER-HARDENED		
028	002		00274209	LOCKNUT		
029	002		06350625	BOLT		
030	004		07150620	WASHER		
031	002		06470601	LOCKNUT		
032	001		15309123	BRACKET-RH DOOR STOP		
033	002		00179883	BOLT		
034	002		09267949	WASHER-HARDENED		
035	003		00179891	BOLT		
036	033		09267949	WASHER-HARDENED		
037	001		15307119	PLATFORM LHS		
038	001		15307120	FENDER ASSY LH		
039	001		15307122	FENDER ASSY RH		
040	027		00179885	BOLT		

R1 03/01 (ECN 102708 AND ECN 103483)

100-0090-7891 LADDERS AND HANDRAILS
FROM SERIAL NO. T7891001

DRAWING NO. P10480

P10480



100-0090-7891 LADDERS AND HANDRAILS
 FROM SERIAL NO. T7891001

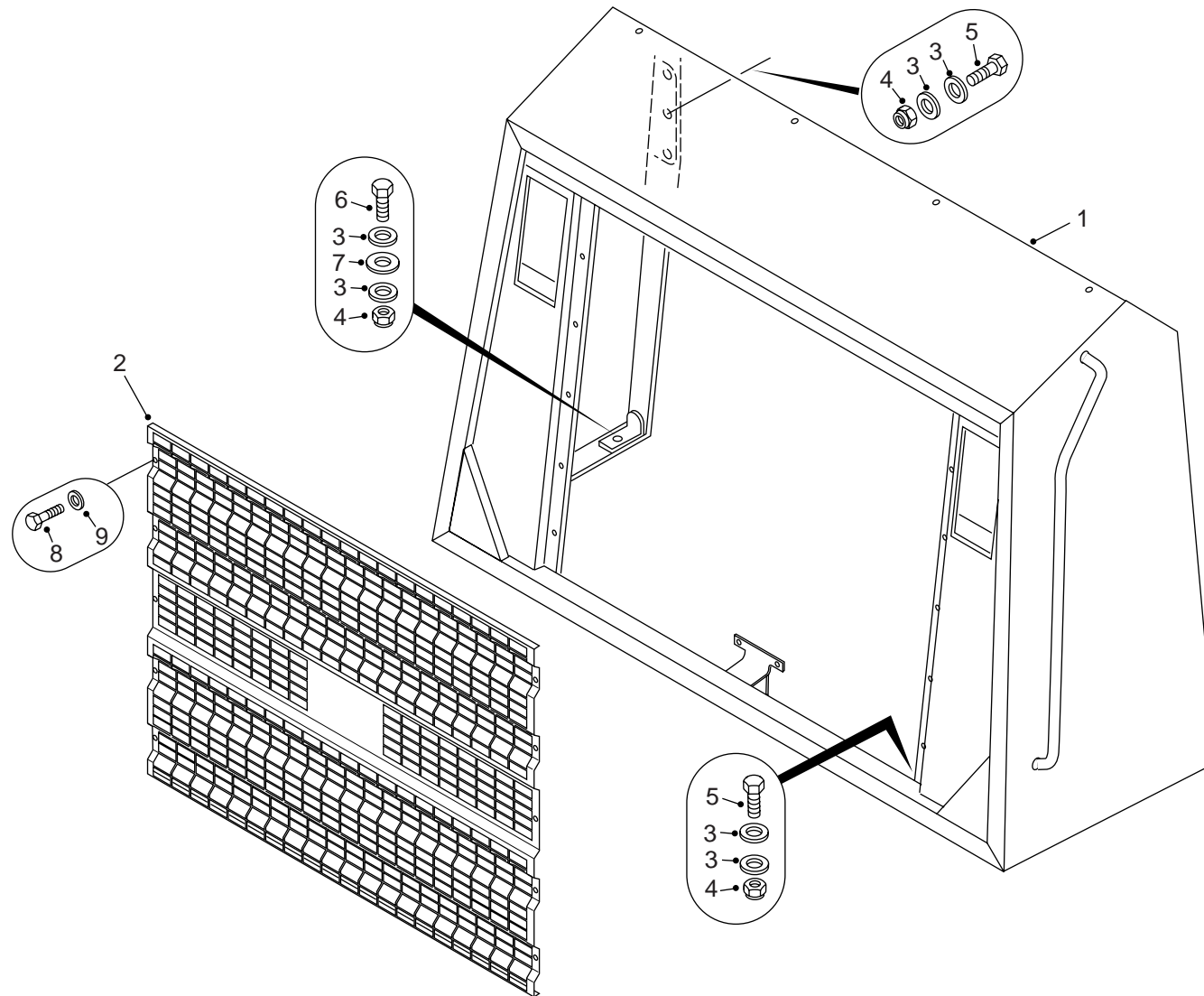
NC	REF	QTY	PART NO.	DESCRIPTION	SER.NO. FROM	SER.NO. TO
001	001		15308640	STEP ASSEMBLY (LH)		
002	001		15308641	STEP ASSEMBLY (RH)		
003	010		00179885	BOLT		
004	020		09267949	WASHER-HARDENED		
005	010		00102637	NUT		
006	002		15255698	STEP ASSY	T7891001	T7891012
006	002		15308997	STEP ASSY	T7891013	
007	004		00179893	BOLT	T7891001	T7891012
007	004		00179894	BOLT	T7891013	
008	012		00106265	WASHER		
009	004		00274209	LOCKNUT		
010	004		15308996	BUSH	T7891013	
011	001		15310443	MUD DEFLECTOR-LH	T7891023	
012	001		15310444	MUD DEFLECTOR-RH	T7891023	
013	010		00179841	BOLT	T7891023	
014	020		09060202	WASHER-HDN	T7891023	
015	010		00274208	NUT	T7891023	

R1 01/02 (ECN 104171)

100-0100-7891 RADIATOR GUARD AND MOUNTING
SERIAL NO. T7891001 TO T7891036

DRAWING NO. P10482

P10482



100-0100-7891 RADIATOR GUARD AND MOUNTING
SERIAL NO. T7891001 TO T7891036

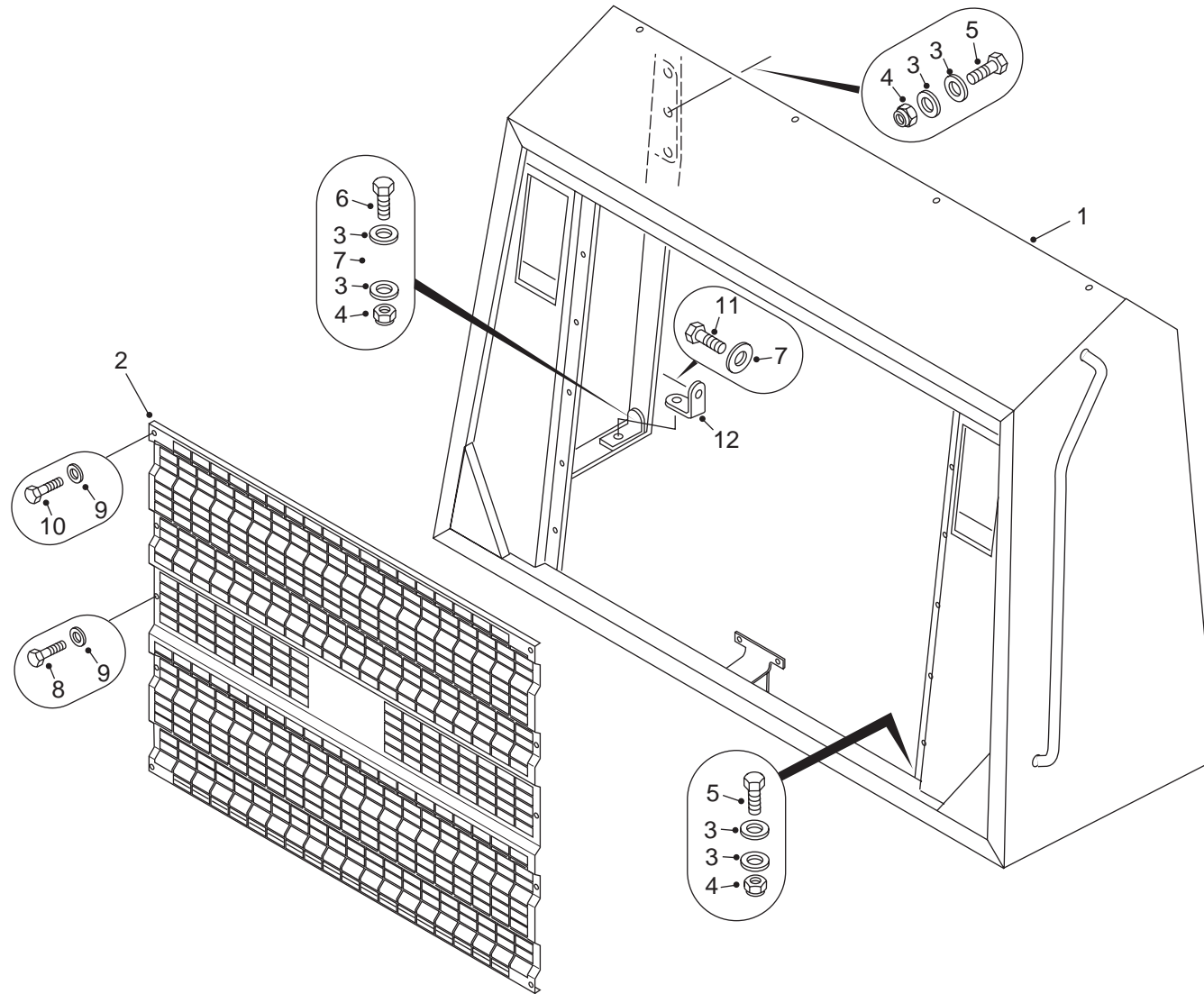
NC	REF	QTY	PART NO.	DESCRIPTION	SER.NO. FROM	SER.NO. TO
001	001		15307510	RADIATOR GUARD ASSEMBL		
002	001		15307727	RADIATOR GRILLE		
003	024		09267949	WASHER-HARDENED		
004	012		00274209	LOCKNUT		
005	010		00179887	BOLT		
006	002		00179891	BOLT		
007	006		09024430	WASHER		
008	010		00179839	BOLT		
009	010		09060202	WASHER-HARDENED		

01/02 (ECN 104171)

100-0100-7891 RADIATOR GUARD AND MOUNTING
FROM SERIAL NO. T7891037

DRAWING NO. P10900

P10900



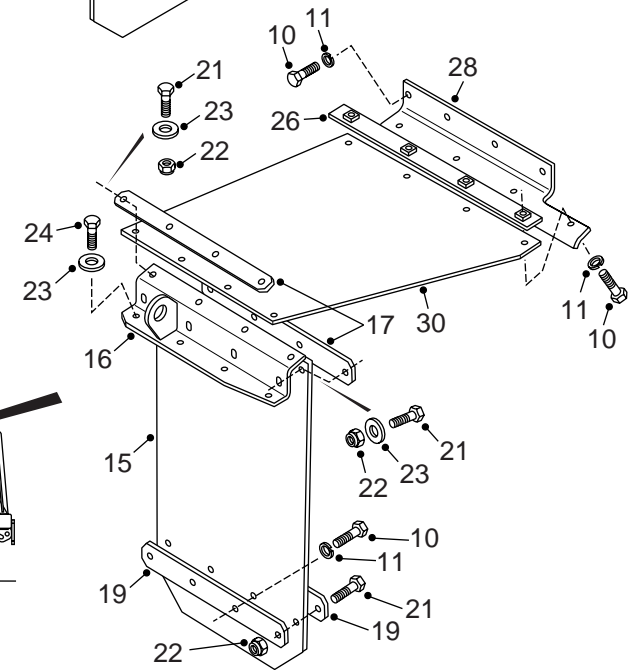
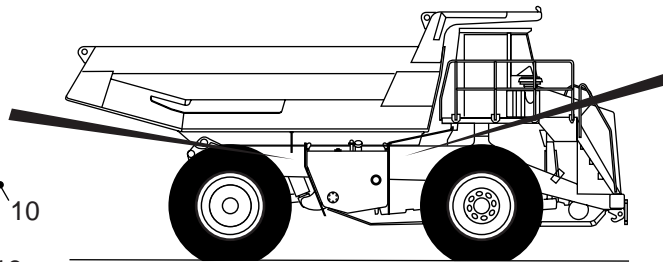
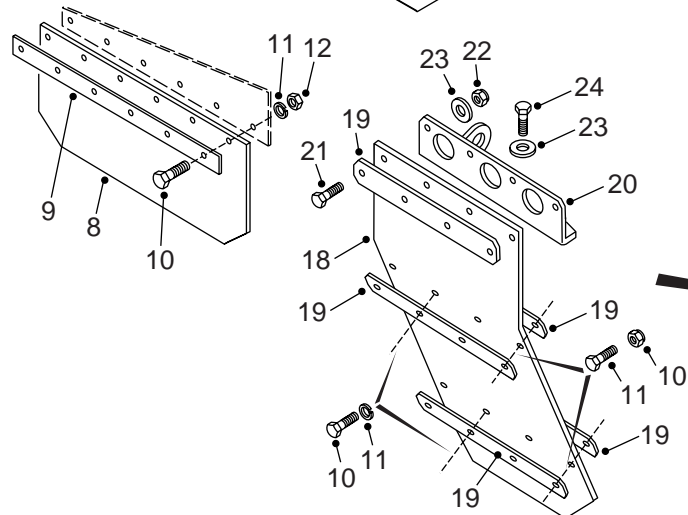
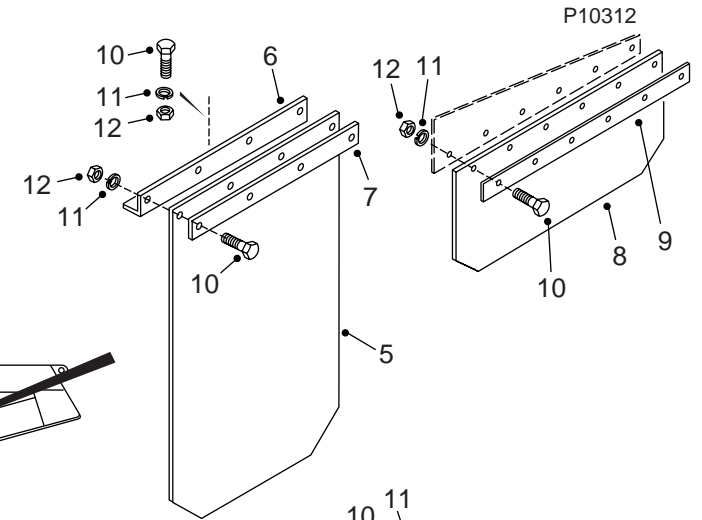
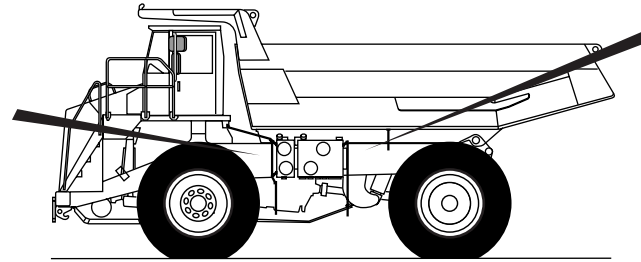
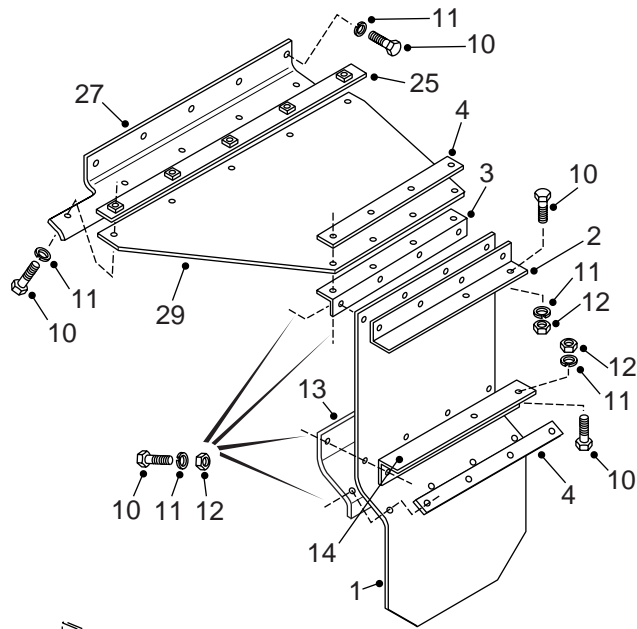
100-0100-7891 RADIATOR GUARD AND MOUNTING
FROM SERIAL NO. T7891037

NC	REF	QTY	PART NO.	DESCRIPTION	SER.NO. FROM	SER.NO. TO
001	001		15313245	RADIATOR GUARD ASSY		
002	001		15313244	RADIATOR GRILLE		
003	020		09267949	WASHER-HARDENED		
004	012		00274209	LOCKNUT		
005	010		00179887	BOLT		
006	002		00179889	BOLT		
007	006		09037837	WASHER		
008	008		00179839	BOLT		
009	012		09060202	WASHER-HARDENED		
010	004		00179843	BOLT		
011	002		00179885	BOLT		
012	002		15313204	BRACKET-SUPPORT		

R1 07/01 (ECN 103787)

100-0140-7891 MUDGUARDS
FROM SERIAL NO. T7891001

DRAWING NO. P10312



100-0140-7891 MUDGUARDS
FROM SERIAL NO. T7891001

NC	REF	QTY	PART NO.	DESCRIPTION	SER.NO. FROM	SER.NO. TO
001	001		15307620	MUDFLAP FRONT		
002	001		15249123	ANGLE-MOUNTING		
003	001		15255372	ANGLE-MOUNTING		
004	002		15233492	PLATE-MOUNTING		
005	001		15300760	MUDFLAP		
006	001		15300761	ANGLE		
007	001		15300756	CLAMP PLATE		
008	002		15300762	MUDFLAP		
009	002		15249115	PLATE-CLAMPING		
010	065		00179885	BOLT T50		
011	065		00103329	LOCKWASHER		
012	038		00102637	NUT		
013	001		15307387	PLATE		
014	001		15307388	PLATE		
015	001		15306707	MUD FLAP RH FRONT LOWE		
016	001		15306703	BRACKET ASSY FRONT MUD		
017	002		15306709	BACKING STRIP		
018	001		15306708	MUDFLAP RH REAR		
019	007		15306710	BACKING STRIP		
020	001		15306705	BRACKET ASSY REAR MUDF		
021	014		00179887	BOLT T50		
022	015		00274209	LOCKNUT		
023	018		09267949	WASHER-HARDENED		
024	006		00179883	BOLT T50		
025	001		15307550	PLATE ASSY (LH)	T7891001	T7891033
025	001		15311819	PLATE ASSY (LH)	T7891034	
026	001		15307549	PLATE ASSY (RH)		
027	001		15307536	MUDGUARD PLATE (LH)	T7891001	T7891033
027	001		15311818	MUDGUARD PLATE (LH)	T7891034	
028	001		15307537	MUDGUARD PLATE (RH)		
029	001		15307562	MUDFLAP (LH)	T7891001	T7891033
029	001		15311817	MUDFLAP (LH)	T7891034	
030	001		15307563	MUDFLAP (RH)	T7891001	T7891033
030	001		15311446	MUDFLAP (RH)	T7891034	

THIS PAGE IS INTENTIONALLY LEFT BLANK

DETROIT DIESEL ENGINE

THIS UNIT IS EQUIPPED WITH A DETROIT DIESEL ENGINE.

TEREX DOES NOT SELL ENGINES OR ENGINE PARTS. THESE SHOULD BE OBTAINED FROM THE NEAREST ENGINE MANUFACTURER'S SALES AND SERVICE OUTLET.

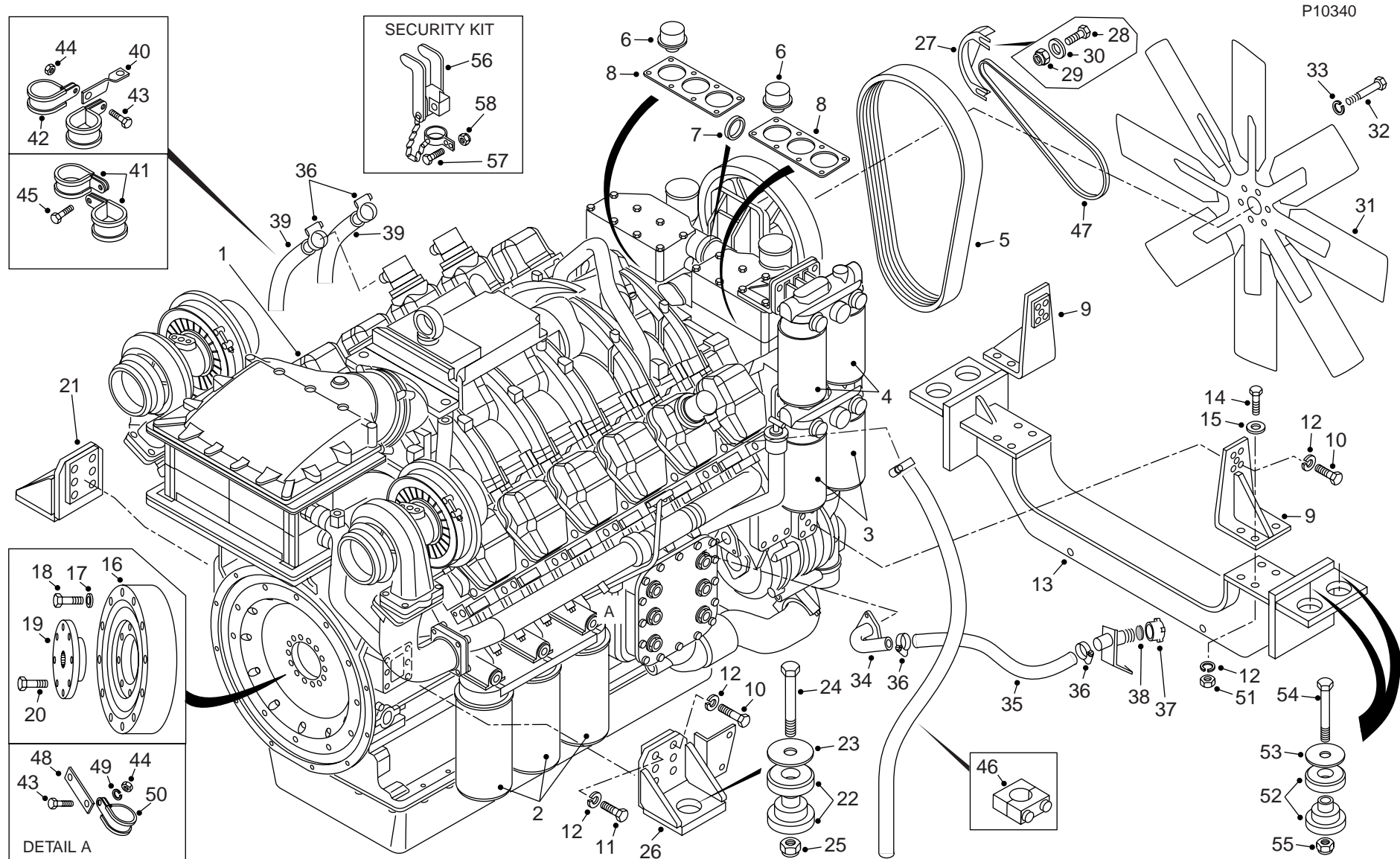
ILLUSTRATIONS AND PART NUMBERS OF ENGINE PARTS ARE OMITTED FROM THIS TEREX PARTS BOOK.

ANY QUESTIONS ON ENGINE PARTS AND WARRANTY SHOULD BE DIRECTED TO THE ENGINE MANUFACTURER'S SALES AND SERVICE OUTLET.

R3 01/02 (ECN 102662, ECN 103087, ECN 103208, ECN 103842 AND ECN 104144)

110-0030-7891 ENGINE AND MOUNTING
FROM SERIAL NO. T7891001

DRAWING NO. P10340



This as a preview PDF file from best-manuals.com



Download full PDF manual at best-manuals.com