



## OPERATOR'S MANUAL

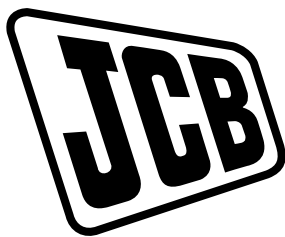


LOADER  
**427, 435S, 437**

EN - 9831/1600 ISSUE 5 - 02/2018

THIS MANUAL SHOULD ALWAYS STAY WITH THE MACHINE





# OPERATOR'S MANUAL

LOADER  
427, 435S, 437

EN - 9831/1600 - ISSUE 5 - 02/2018

This manual contains original instructions, verified by the manufacturer (or their authorized representative).

Copyright 2018 © JCB SERVICE  
All rights reserved. No part of this publication may be reproduced, stored in a retrieval system, or transmitted in any form or by any other means, electronic, mechanical, photocopying or otherwise, without prior permission from JCB SERVICE.

[www.jcb.com](http://www.jcb.com)

## Foreword

### The Operator's Manual



You and others can be killed or seriously injured if you operate or maintain the machine without first studying the Operator's Manual. You must understand and follow the instructions in the Operator's Manual. If you do not understand anything, ask your employer or JCB dealer to explain it.

Do not operate the machine without an Operator's Manual, or if there is anything on the machine you do not understand.

Treat the Operator's Manual as part of the machine. Keep it clean and in good condition. Replace the Operator's Manual immediately if it is lost, damaged or becomes unreadable.

### Machine Delivery and Installation

Even if you have operated this type of equipment before, it is very important that your new machines operations and functions are explained to you by a JCB Dealer Representative following delivery of your new machine.

Following the installation you will know how to gain maximum productivity and performance from your new product.

Please contact your local JCB dealer if the Installation Form (included in this manual) has not yet been completed with you.

Your local JCB Dealer is



---

Notes:

---

---

---

---

---

---

---

---

---

---

---

---



Contents	Page No.
Acronyms Glossary .....	vii
<b>Introduction</b>	
About this Manual	
Model and Serial Number .....	1
Using the Manual .....	1
Left-Hand Side, Right-Hand Side .....	1
Cross References .....	2
Safety	
Safety - Yours and Others .....	3
Safety Warnings .....	3
General Safety .....	4
Clothing and Personal Protective Equipment (PPE) .....	5
<b>About the Product</b>	
Introduction	
General .....	7
Name and Address of the Manufacturer .....	7
Product Compliance .....	7
Description	
General .....	8
Intended Use .....	8
Log Moving/Object Handling .....	8
Optional Equipment and Attachments .....	8
Danger Zone .....	8
Main Component Locations .....	8
Product and Component Identification	
Machine .....	10
Engine .....	10
Operator Protective Structure .....	11
Safety Labels	
General .....	13
Safety Label Identification .....	13
Operator Station	
Component Locations .....	18
Interior Switches	
Ignition Switch .....	20
Multi-Purpose Switch .....	20
Cab Interior Light .....	21
Console Switches	
General .....	23
<b>Operation</b>	
Introduction	
General .....	27
Operating Safety	
General .....	28
Worksite Safety .....	30
Risk Assessment .....	31
Walk-Around Inspection	
General .....	33



Entering and Leaving the Operator Station	
General .....	34
Emergency Exit .....	34
Doors	
Operator Door .....	36
Windows	
Side Window .....	37
Battery Isolator	
General .....	38
Before Starting the Engine	
General .....	39
Operator Seat	
General .....	41
Armrest .....	44
Seat Belt	
General .....	46
Inertia Reel Seat Belt .....	46
Mirrors	
General .....	48
Visual Aids	
Exterior View System .....	56
Starting the Engine	
General .....	59
Stopping and Parking	
General .....	61
Preparing for Travel	
General .....	62
Preparing for Road Travel .....	62
Preparing for Worksite Travel .....	63
Smooth Ride System (SRS) .....	63
Beacon .....	64
Safety Equipment	
Articulation Lock .....	66
Control Lock .....	67
Drive Controls	
General .....	68
Steering Wheel .....	69
Steering Column .....	70
Accelerator Pedal .....	70
Forward, Neutral and Reverse Switch .....	70
Service Brake Pedal .....	73
Park Brake .....	74
Transmission Kickdown Switch .....	74
Transmission Mode .....	76
Instruments	
Instrument Panel .....	79
Getting the Machine Moving	
General .....	91
Slopes	
General .....	93
Driving on Slopes .....	93



Working on Slopes ..... 94

Operating Levers/Pedals

    General ..... 95

    Control Layouts ..... 95

    Lift Arm Controls ..... 95

    Auxiliary Circuit Controls ..... 97

Lifting and Loading

    General ..... 99

Working with the Lift Arm

    General ..... 100

    Filling the Shovel ..... 101

    Loading a Truck ..... 101

    Adjusting the Lift Arm ..... 102

Heating, Ventilating and Air-Conditioning (HVAC)

    General ..... 105

    Air-Conditioning Controls ..... 105

Fire Extinguisher

    General ..... 107

Moving a Disabled Machine

    General ..... 108

    Jump-Starting the Engine ..... 108

    Retrieval ..... 109

    Lift Arm (Emergency Operation) ..... 111

Lifting the Machine

    General ..... 112

Transporting the Machine

    General ..... 114

Operating Environment

    General ..... 116

    Operating in Low Temperatures ..... 116

    Operating in High Temperatures ..... 116

    Cab Filters ..... 117

Refuelling

    General ..... 118

    Low Fuel Levels ..... 118

    Filling the Tank ..... 118

**Attachments**

Working with Attachments

    Introduction ..... 121

    Attachments for your Machine ..... 121

    Connecting/Disconnecting Hydraulic Hoses ..... 122

Quickhitch

    General ..... 126

    Lift Arm Quickhitch Carriage ..... 126

Tow Hitches

    Hydraulic Tow Hitch ..... 134

Work Platforms

    General ..... 136



**Preservation and Storage**

Cleaning  
    General ..... 137  
    Preparation ..... 138  
Checking For Damage  
    General ..... 139  
Storage  
    General ..... 140  
    Put into Storage ..... 140  
    During Storage ..... 140  
    Take out of Storage ..... 141  
Security  
    General ..... 143  
    JCB Plantguard ..... 143  
    Construction Equipment Security and Registration Scheme (CESAR) ..... 143  
    LiveLink ..... 143

**Maintenance**

Introduction  
    General ..... 145  
    Owner/Operator Support ..... 145  
    Service/Maintenance Agreements ..... 146  
    Initial Service and Inspection ..... 146  
    Obtaining Spare Parts ..... 146  
Maintenance Safety  
    General ..... 147  
    Fluids and Lubricants ..... 148  
Maintenance Schedules  
    General ..... 152  
    How to Use the Maintenance Schedules ..... 152  
    Maintenance Intervals ..... 152  
    Pre-start Cold Checks, Service Points and Fluid Levels ..... 153  
    Functional Tests and Final Inspection ..... 155  
Maintenance Positions  
    General ..... 157  
    Maintenance Position (Lift Arm Lowered) ..... 157  
    Maintenance Position (Lift Arm Raised) ..... 158  
Service Points  
    General ..... 160  
Access Apertures  
    General ..... 163  
    Battery Cover ..... 163  
    Engine Compartment Cover ..... 163  
    Rear Grille ..... 165  
    Cab Heater Door ..... 165  
    Cooling Pack ..... 166  
Tools  
    General ..... 168  
    Toolbox ..... 168  
Lubrication  
    General ..... 169  
    Preparation ..... 169





Automatic Greasing System .....	169
Attachments	
General .....	171
Body and Framework	
General .....	172
Lift Arm	
General .....	173
Operator Station	
General .....	175
Operator Protective Structure .....	175
Seat .....	175
Seat Belt .....	175
Controls .....	176
Heating, Ventilating and Air-Conditioning (HVAC)	
Air-Conditioning .....	177
Heater .....	177
Engine	
General .....	179
Oil .....	180
Drive Belt .....	182
Crankcase Ventilation .....	182
Exhaust .....	183
Emissions Control System .....	183
Air Filter	
General .....	185
Outer Element .....	185
Pre-Cleaner .....	186
Dust Valve .....	186
Fuel System	
General .....	187
Fuel Filter .....	188
Water Separator .....	188
Cooling System	
General .....	190
Coolant .....	190
Cooling Pack .....	190
Brakes	
General .....	192
Park Brake .....	192
Service Brake .....	193
Gearbox	
Oil .....	194
Wheels	
General .....	195
Tyres	
General .....	197
Hydraulic System	
General .....	199
Services .....	200
Oil .....	200
Cylinders / Rams .....	200

---

Electrical System	
General .....	201
Battery .....	201
Battery Isolator .....	203
Fuses .....	203
Relays .....	205
Window Washer .....	206
Miscellaneous	
Fire Extinguisher .....	207
<b>Technical Data</b>	
Static Dimensions	
Dimensions .....	209
Weights .....	211
Visibility Diagrams .....	213
Performance Dimensions	
Lift Arm Dimensions and Performance .....	216
Driving Performance .....	236
Towing Weights .....	238
Noise Emissions	
General .....	240
Noise Data .....	240
Vibration Emissions	
General .....	241
Vibration Data .....	242
Fluids, Lubricants and Capacities	
General .....	245
Fuel .....	246
Diesel Exhaust Fluid (DEF) .....	249
Coolant .....	251
Torque Values	
General .....	252
Electrical System	
General .....	253
Bulbs .....	253
Fuses .....	253
Relays .....	255
Engine	
General .....	257
Exhaust After Treatment (EAT) .....	257
Wheels and Tyres	
General .....	259
Tyre Sizes and Pressures .....	259
Declaration of Conformity	
General .....	262
Data .....	262
Warranty Information	
Service Record Sheet .....	264

**Acronyms Glossary**

ATC	Automatic Temperature Control
CAN	Controller Area Network
CESAR	Construction Equipment Security and Registration
DEF	Diesel Exhaust Fluid
ECU	Electronic Control Unit
ETRTO	European Tyre and Rim Technical Organisation
FOPS	Falling Object Protective Structure
HEST	High Exhaust System Temperature
HVAC	Heating Ventilation Air Conditioning
ICCO	Intelligent Clutch Cut Off
ISO	International Organization for Standardization
LCD	Liquid Crystal Display
LED	Light Emitting Diode
PIN	Product Identification Number
PPE	Personal Protective Equipment
RMS	Root Mean Square
ROPS	Roll-Over Protective Structure
RPM	Revolutions Per Minute
SAE	Society of Automotive Engineers
SCR	Selective Catalytic Reduction
SRS	Smooth Ride System
TCU	Transmission Control Unit
VIN	Vehicle Identification Number



---

Notes:

---

---

---

---

---

---

---

---

---

---

---

# Introduction About this Manual

## Model and Serial Number

This manual provides information for the following models(s) in the JCB machine range:

Table 1.

Model	From:	To:	Front Axle	Rear Axle
427	2407001	2408000	-	-
	2452501	2453000	-	-
435S	2438601	2438700	3085 Series	3075 Series
	2474301	2474600	3085 Series	3085 Series
	2556851	2556951	3085 Series	3085 Series
437	2408001	2409000	3085 Series	3075 Series
	2473801	2474300	3085 Series	3085 Series

## Using the Manual

This operator's manual is arranged to give you a good understanding of the machine and its safe operation. It also contains maintenance and technical data.

Read this manual from the front to the back before you use the machine for the first time, even if you have used machines of a similar/same type before as the technical specification, systems and controls of the machine may have changed. Particular attention must be given to all the safety aspects of operating and maintaining the machine.

If there is anything you are not sure about, ask your JCB dealer or employer. Do not guess, you or others could be killed or seriously injured.

The general and specific warnings in this section are repeated throughout the manual. Read all the safety statements regularly, so you do not forget them. Remember that the best operators are the safest operators.

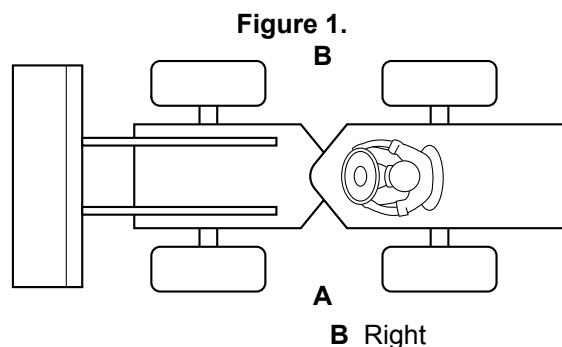
The illustrations in this manual are for guidance only. Where the machines are different, the text and or the illustration will specify.

The manufacturer's policy is one of continuous improvement. The right to change the specification of the machine without notice is reserved. No responsibility will be accepted for discrepancies which may occur between specifications of the machine and the descriptions contained in this manual.

All of the optional equipment included in this manual may not be available in all territories

## Left-Hand Side, Right-Hand Side

In this manual, 'left' and 'right' mean your left and right when you are seated correctly in the machine.



A Left

B Right

## **Cross References**

In this manual, cross references are made by presenting the subject title in blue (electronic copy only). The number of the page upon which the subject begins is indicated within the brackets. For example: [Refer to: Cross References \(Page 2\)](#).

## Safety

### Safety - Yours and Others

All machinery can be hazardous. When a machine is correctly operated and maintained, it is a safe machine to work with. When it is carelessly operated or poorly maintained it can become a danger to you (the operator) and others.

In this manual and on the machine you will find warning messages, you must read and understand them. They inform you of potential hazards and how to avoid them. If you do not fully understand the warning messages, ask your employer or JCB dealer to explain them.

Safety is not just a matter of responding to the warnings. All the time you are working on or with the machine you must be thinking of what hazards there might be and how to avoid them.

Do not work with the machine until you are sure that you can control it.

Do not start any work until you are sure that you and those around you will be safe.

If you are not sure of anything, about the machine or the work, ask someone who knows. Do not assume anything.

Remember:

- Be careful
- Be alert
- Be safe.

### Safety Warnings

In this manual there are safety notices. Each notice starts with a signal word. The signal word meanings are given below.

The signal word 'DANGER' indicates a hazardous situation which, if not avoided, will result in death or serious injury.

The signal word 'WARNING' indicates a hazardous situation which, if not avoided, could result in death or serious injury.

The signal word 'CAUTION' indicates a hazardous situation which, if not avoided, could result in minor or moderate injury.

The signal word 'Notice' indicates a hazardous situation which, if not avoided, could result in machine damage.

The safety alert system symbol (shown) also helps to identify important safety messages in this manual. When you see this symbol your safety is involved, carefully read the message that follows.

**Figure 2. The safety alert system symbol**



## **General Safety**

### **Training**

To operate the machine safely you must know the machine and have the skill to use it. You must abide by all relevant laws, health and safety regulations that apply to the country you are operating in. The operator's manual instructs you on the machine, its controls and its safe operation; it is not a training manual. Ensure that you receive the correct training before operating any machinery. Failing to do so will result in incorrect operation of the machine and you will be putting yourself and others at risk. In some markets, and for work on certain jobsites, you may be required to have been trained and assessed in accordance with an operator competence scheme. Make sure that you and your machine comply with relevant local laws and jobsite requirements – it is your responsibility.

### **Care and Alertness**

All the time you are working with or on the machine, take care and stay alert. Always be careful. Always be alert for hazards.

### **Clothing**

You can be injured if you do not wear the correct clothing. Loose clothing can get caught in the machinery. Keep cuffs fastened. Do not wear a necktie or scarf. Keep long hair restrained. Remove rings, watches and personal jewellery.

### **Alcohol and Drugs**

It is extremely dangerous to operate machinery when under the influence of alcohol or drugs. Do not consume alcoholic drinks or take drugs before or while operating the machine or attachments. Be aware of medicines which can cause drowsiness.

### **Feeling Unwell**

Do not attempt to operate the machine if you are feeling unwell. By doing so you could be a danger to yourself and those you work with.

### **Mobile Phones**

Switch off your mobile phone before entering an area with a potentially explosive atmosphere. Sparks in such an area could cause an explosion or fire resulting in death or serious injury.

Switch off and do not use your mobile phone when refuelling the machine.

### **Lifting Equipment**

You can be injured if you use incorrect or faulty lifting equipment. You must identify the weight of the item to be lifted then choose lifting equipment that is strong enough and suitable for the job. Make sure that lifting equipment is in good condition and complies with all local regulations.

### **Raised Equipment**

Never walk or work under raised equipment unless it is supported by a mechanical device. Equipment which is supported only by a hydraulic device can drop and injure you if the hydraulic system fails or if the control is operated (even with the engine stopped).

Make sure that no-one goes near the machine while you install or remove the mechanical device.

### **Raised Machine**

Never position yourself or any part of your body under a raised machine which is not correctly supported. If the machine moves unexpectedly you could become trapped and suffer serious injury or be killed.

### **Lightning**

Lightning can kill you. Do not use the machine if there is lightning in your area.

### **Machine Modifications**

This machine is manufactured in compliance with prevailing legislative requirements. It must not be altered in any way which could affect or invalidate its compliance. For advice consult your JCB dealer.



## **Clothing and Personal Protective Equipment (PPE)**

Do not wear loose clothing or jewellery that can get caught on controls or moving parts. Wear protective clothing and personal safety equipment issued or called for by the job conditions, local regulations or as specified by your employer.



---

Notes:

---

---

---

---

---

---

---

---

---

---

---

---

---

# About the Product

## Introduction

### General

Before you start using the machine, you must know how the machine operates. Use this part of the manual to identify each control lever, switch, gauge, button and pedal. Do not guess, if there is anything you do not understand, ask your JCB dealer.

### Name and Address of the Manufacturer

JCB Earthmovers Limited, Lakeside Works, Rocester, Staffordshire, United Kingdom, ST14 5JP.

### Product Compliance

Your JCB product was designed to comply with the laws and regulations applicable at the time of its manufacture for the market in which it was first sold. In many markets, laws and regulations exist that require the owner to maintain the product at a level of compliance relevant to the product when first produced. Even in the absence of defined requirements for the product owner, JCB recommend that the product compliance be maintained to ensure safety of the operator and exposed persons and to ensure the correct environmental performance. Your product must not be altered in any way which could affect or invalidate any of these requirements. For advice consult your JCB dealer.

For its compliance as a new product, your JCB and some of its components may bear approval numbers and marking's, and may have been supplied with a Declaration/Certificate of Conformity. These marking's and documents are relevant only for the country/region in which the product was first sold to the extent that the laws and regulations required them.

Re-sales and import/export of products across territories with different laws and regulations can cause new requirements to become relevant for which the product was not originally designed or specified. In some cases, pre owned products irrespective of their age are considered new for the purposes of compliance and may be required to meet the latest requirements which could present an insurmountable barrier to their sale/use.

Despite the presence of any compliance related marking's on the product and components, you should not assume that compliance in a new market will be possible. In many cases it is the person responsible for import of a pre owned product into a market that becomes responsible for compliance and who is also considered the manufacturer.

JCB may be unable to support any product compliance related enquiry for a product which has been moved out of the legislative country/region where it was first sold, and in particular where a product specification change or additional certification would have been required in order for the product to be in compliance.

---

## Description

### General

A self-propelled wheeled machine with an integral front mounted shovel-supporting structure and linkage.

The machine can load or excavate through the forward motion of the machine, and can lift, transport and discharge material.

### Intended Use

The machine is intended to be used in normal conditions for the applications described in this manual.

If the machine is used for other applications or in dangerous environments, for example in a flammable atmosphere or in areas with dust containing asbestos, special safety regulations must be obeyed and the machine must be equipped for use in these environments.

### Log Moving/Object Handling

Do not use the machine to move or handle logs unless sufficient log protection is installed. You could cause serious injury to yourself and damage to the machine. For more information, contact your JCB dealer.

### Optional Equipment and Attachments

A wide range of optional attachments are available to increase the versatility of your machine. Only the JCB approved attachments are recommended for use with your machine. Contact your JCB dealer for the full list of approved attachments available.

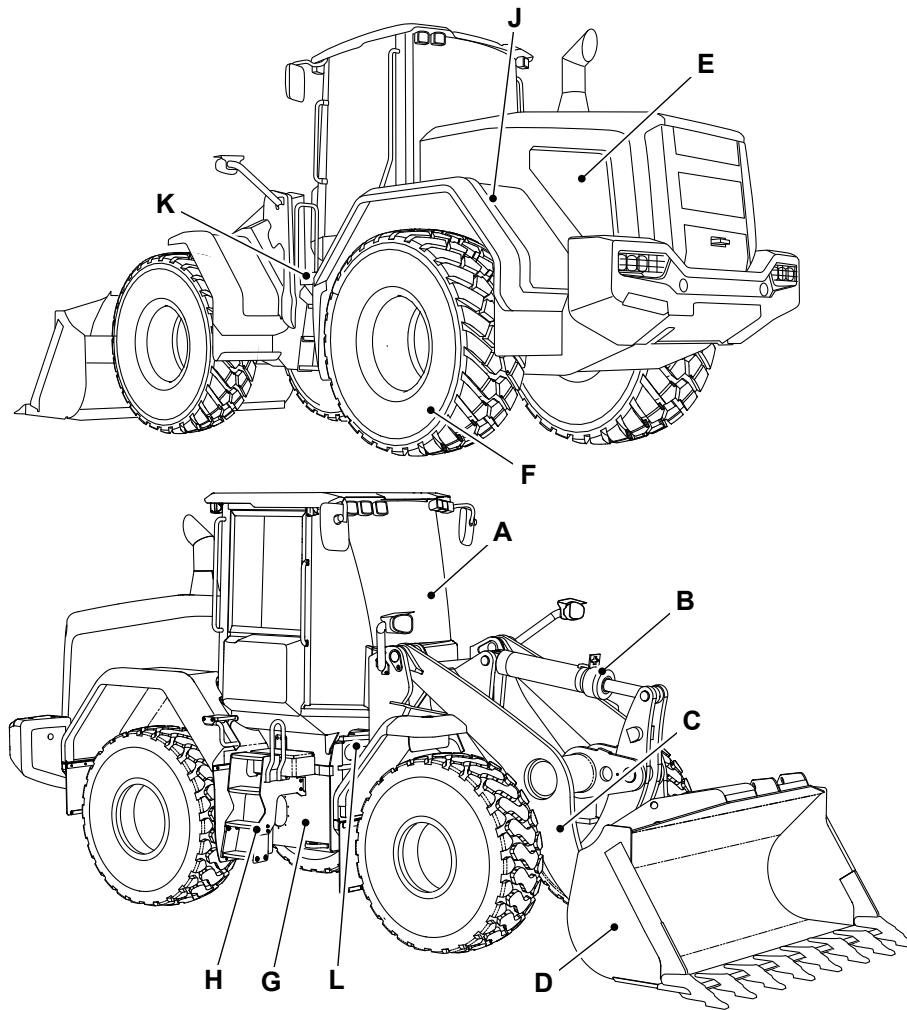
### Danger Zone

The danger zone is any zone within and/or around the machinery in which a person is subject to a risk to their health or safety. The danger zone includes the area in immediate proximity to any hazardous moving parts, areas into which working equipment and attachments can be moved to quickly, the machine normal stopping distances and also areas into which the machine can quickly turn under normal conditions of use. Depending on the application at the time, the danger zone could also include the area into which debris, from use of an attachment or working tool, could be projected and any area into which debris could fall from the machine. During the operation of the machine, keep all persons out of the danger zone. Persons in the danger zone could be injured.

Before you do a maintenance task, make the product safe.

### Main Component Locations

Figure 3.



- A ROPS (Roll-Over Protective Structure)/FOPS (Falling Object Protective Structure) cab
- C Loader arms
- E Engine/Engine cover
- G Chassis
- J Fenders
- L Articulation rams

- B Shovel ram
- D Shovel
- F Wheels/tyres
- H Steps
- K Battery box

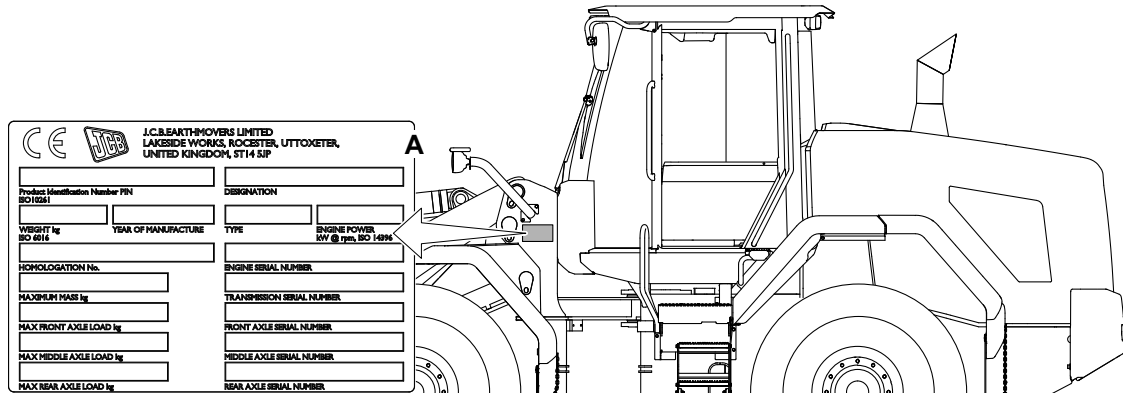
## Product and Component Identification

### Machine

Your machine has an identification plate. The PIN (Product Identification Number), weight, engine power, year of manufacture and serial number of the machine are shown on the identification plate.

The serial number of each major unit is also shown on the unit itself. If a major unit is replaced by a new one, the serial number on the identification plate will be wrong. Either get a replacement identification plate from your JCB dealer or simply remove the old number. This will prevent the wrong unit number being quoted when replacement parts are ordered.

**Figure 4.**



**A** Identification plate (location)

The machine model and build specification are indicated by the PIN. The PIN has 17 digits and must be read from left to right.

**Table 2. Typical PIN**

JCB	427	Z	S	C	02407001
-----	-----	---	---	---	----------

**Table 3. Explanation of the PIN**

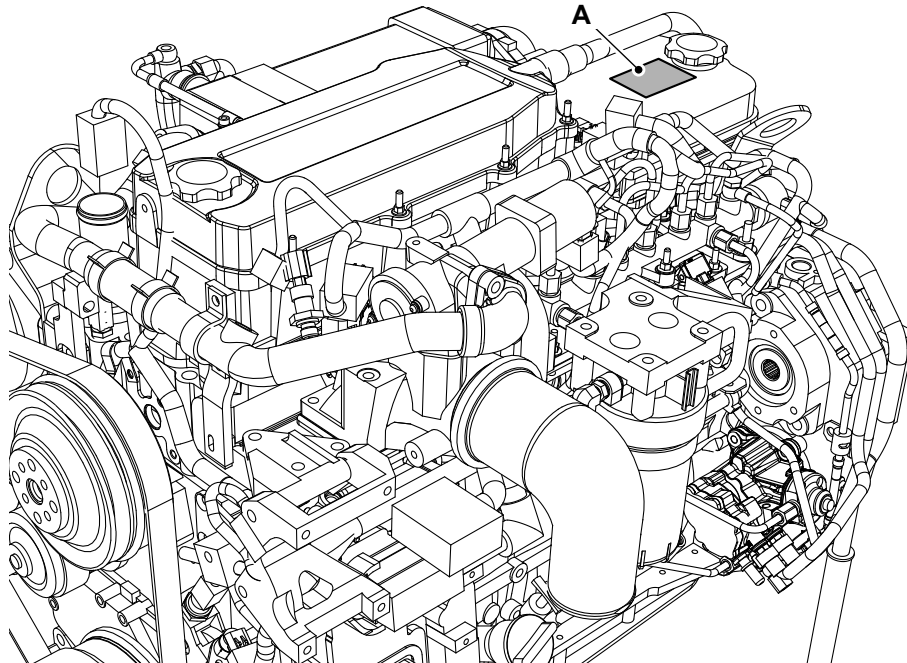
Digit	Description
1 to 3	World manufacturer identification. For example, JCB = UK Build.
4 to 6	Machine type and model
7	O = HT Loader End, Z = ZX Loader End
8	Designation: O = Non-Farmmaster, S = Farmmaster, I = India
9	Year of manufacture: F = 2015, G = 2016
10 to 17	Machine serial number

### Engine

The engine data label is attached to the rocker cover as shown.

The data label includes the engine identification number.

Figure 5.



A Engine data label - rocker cover

Figure 6.

MANUFACTURED BY CUMMINS INC  Assembled in the USA Date of Mfg: WARNING: Injury may result and warranty is voided if fuel, rpm or altitudes exceed published maximum values for this model and application.	Engine No.	Ref. No.	MODEL	Fuel Rate at Adv. HP	Mm <sup>3</sup> Score	CPL
	Idle Speed (rpm)	Advertised HP	at rpm	Family	FEL	EPA
	Firing Order	Timing	J.D.C. ELECTRONIC	Catalyst No.	NOx	NMHC
	Valve lash/cold	Int.	Exh.	C. I.D./A.	E. C. S.	PM
IMPORTANT ENGINE INFORMATION: This engine is exempt from the prohibitions of Section 203 (a) (1) (3) & (4) of the Clean Air Act as amended. See exemption label information for exemption no. and effective date.						

Engine data label

## Operator Protective Structure

### ROPS and FOPS Data Plate

**⚠ WARNING** You could be killed or seriously injured if you operate a machine with a damaged or missing ROPS/FOPS/FOGS. If the ROPS/FOPS/FOGS has been in an accident, do not use the machine until the structure has been renewed. Modifications and repairs that are not approved by the manufacturer may be dangerous and will invalidate the ROPS/FOPS/FOGS certification.

**⚠ WARNING** Do not use the machine if the falling objects protection level provided by the structure is not sufficient for the application. Falling objects can cause serious injury.

**⚠ WARNING** Machines with a ROPS, FOPS,FOGS or TOPS are equipped with a seat belt. The ROPS, FOPS,FOGS or TOPS is designed to give you protection in an accident. If you do not wear the seat belt you could be thrown off the machine and crushed. You must wear a seat belt when using the machine. Fasten the seat belt before starting the engine.

A machine built to the ROPS (Roll-Over Protective Structure)/FOPS (Falling Object Protective Structure) standard has a data plate attached to the inside of the cab.

**Figure 7.**

J.C.B. CAB SYSTEMS LAKESIDE WORKS ROCESTER UTTOXETER, STAFFS ST14 5JP ENGLAND 	LOADING SHOVEL WHEELED  MAX UNLADEN MASS XXXX KG YEAR OF MANUFACTURE XXXX		OECD APPROVAL NUMBER  ROPS COMPLIANCE EN ISO 3471:2008  FOPS COMPLIANCE EN ISO 3449:2008 LEVEL 2  WA PART NUMBER XXX/XXXXX
WA SERIAL NUMBER XXXXXXXXXXXXXXXX			

If the machine is used in any application where there is a risk of falling objects then a FOPS must be installed. For further information, contact your JCB dealer.

The FOPS has a data plate attached. The data plate indicates what level protection the structure provides.

There are two levels of FOPS:

- Level I Impact Protection - impact strength for protection from small falling objects (e.g. bricks, small concrete blocks, hand tools) encountered in operations such as highway maintenance, landscaping and other construction site services.
- Level II Impact Protection - impact strength for protection from heavy falling objects (e.g. trees, rocks) for machines involved in site clearing, overhead demolition or forestry.



---

## Safety Labels

### General

**▲ WARNING** Safety labels on the machine warn you of particular hazards. You can be injured if you do not obey the safety instructions shown.

The safety labels are strategically placed around the machine to remind you of possible hazards.

If you need eye-glasses for reading, make sure you wear them when reading the safety labels. Do not overstretch or put yourself in dangerous positions to read the safety labels. If you do not understand the hazard shown on the safety label, then refer to Safety Label Identification.

Keep all of the safety labels clean and readable. Replace a lost or damaged safety label. Make sure the replacement parts include the safety labels where necessary. Each safety label has a part number printed on it, use this number to order a new safety label from your JCB dealer.

### Safety Label Identification

For: 427 [T4F], 437 [T4F] ..... Page 14

For: 435S [T4F] ..... Page 16

(For: 427 [T4F], 437 [T4F])

Figure 8.

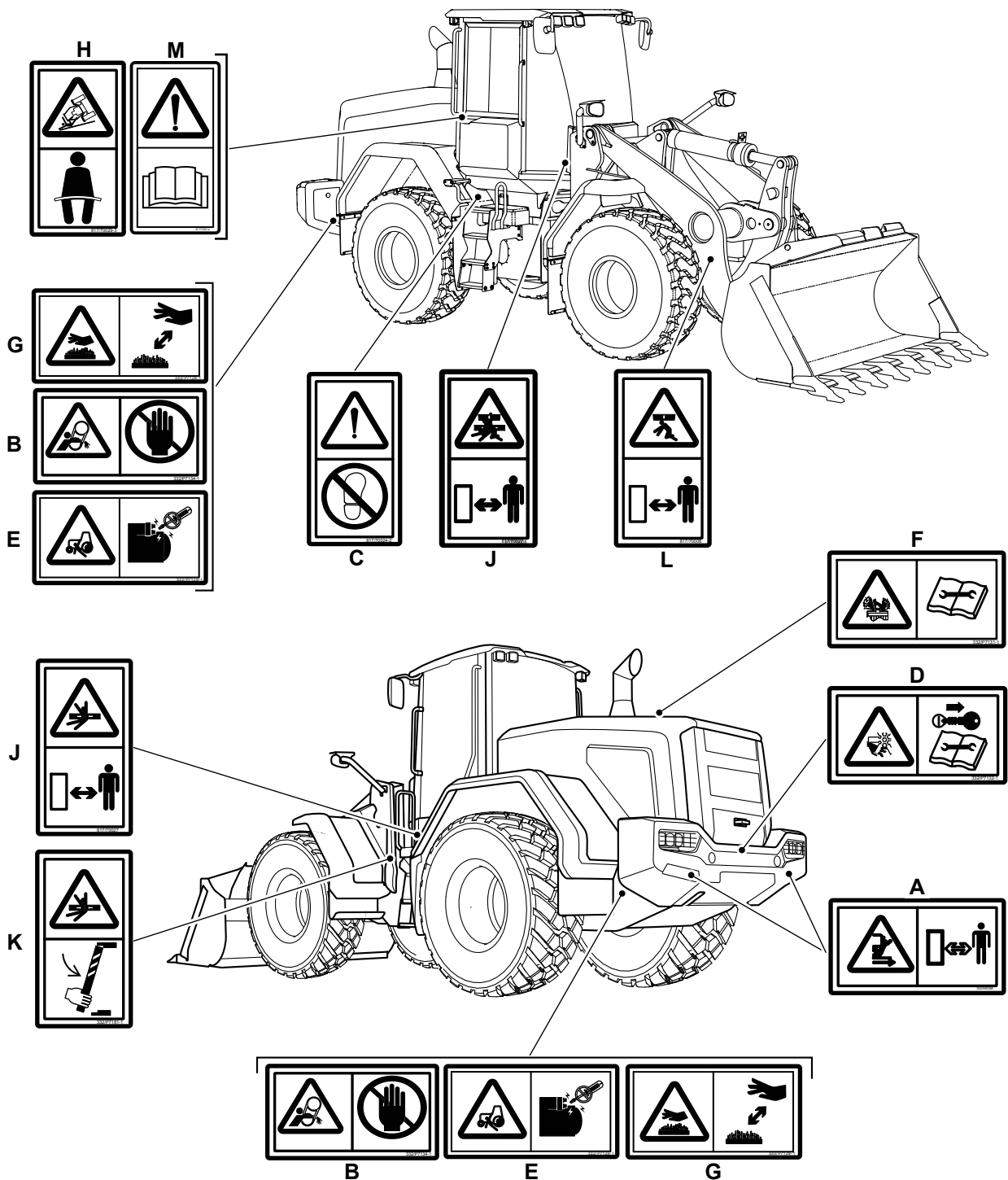


Table 4. Safety Labels

Item	Part No.	Description	Qty.
A	332/W6368	Strike. Keep clear of the reversing machine.	2
B	332/P7134	Entanglement hazard. Do not touch.	2
C	817/70024	Warning. Do not use as a step.	1



<b>Item</b>	<b>Part No.</b>	<b>Description</b>	<b>Qty.</b>
D	332/P7132	Severing of hands and fingers. Keep clear of/do not reach into rotating parts. Read the Service Manual.	1
E	332/P7129	Run over hazard. Start the engine from the operator's seat only. Do not short across the terminals.	2
F	332/P7131	Pressure hazard. Read the Service Manual.	1
G	332/P7128	Burns to fingers and hands. Stay a safe distance away.	2
H	817/70029	Warning. Crush hazard. Wear seat belt.	1
J	817/70027	Warning. Crushing of whole body. Keep a safe distance.	2
K	332/P7181	Crushing of whole body. Attach/use the support or prop to lockout for service, maintenance or any access.	1
L	817/70008	Crushing of whole body. Keep a safe distance from machine.	2
M	817/70014	Warning. Read the Operator's Manual before you operate the machine.	1

(For: 435S [T4F])

Figure 9.

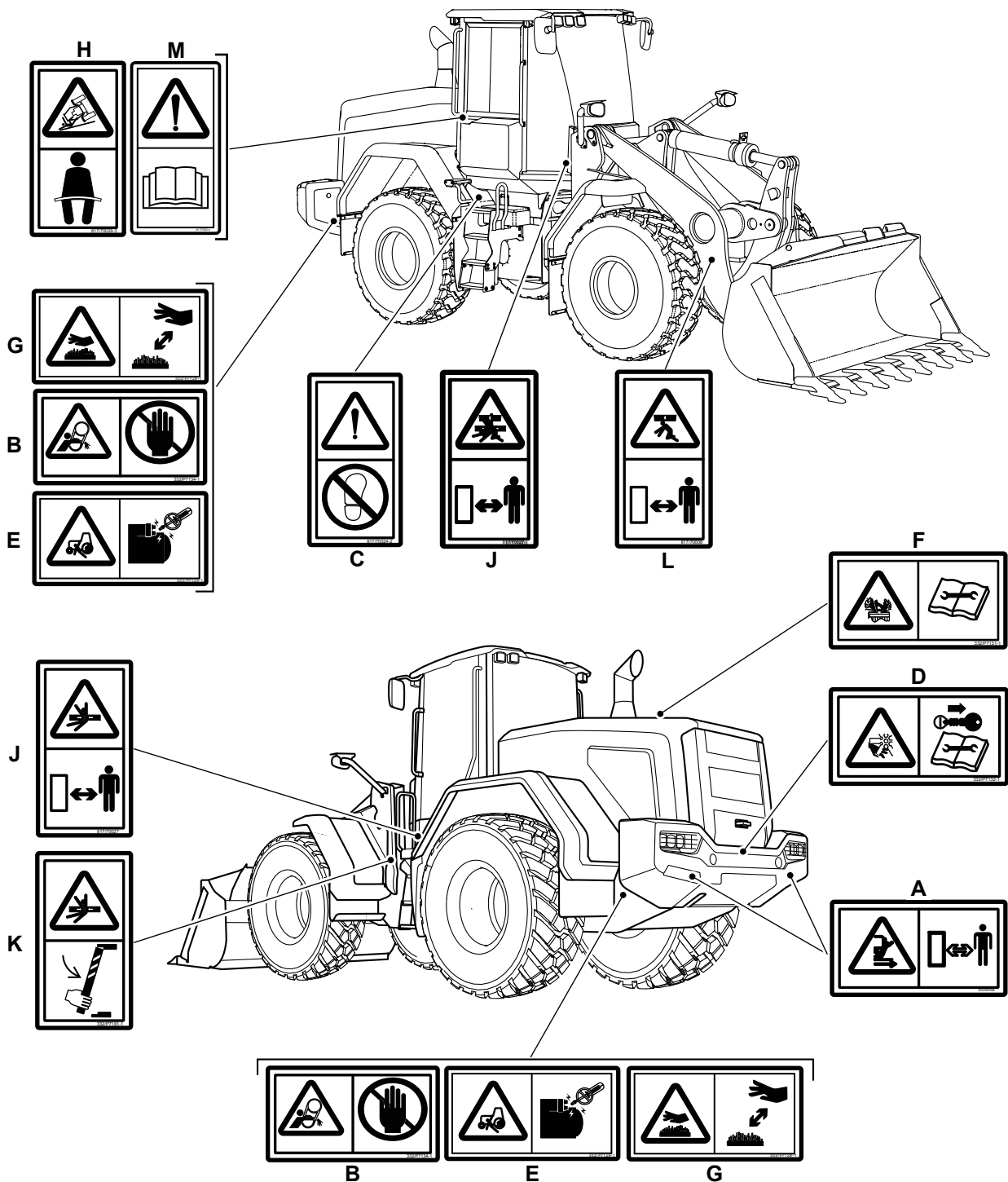


Table 5. Safety Labels

Item	Part No.	Description	Qty.
A	332/W6368	Strike. Keep clear of the reversing machine.	2
B	332/P7134	Entanglement hazard. Do not touch.	2
C	817/70024	Warning. Do not use as a step.	1



<b>Item</b>	<b>Part No.</b>	<b>Description</b>	<b>Qty.</b>
D	332/P7132	Severing of hands and fingers. Keep clear of/do not reach into rotating parts. Read the Service Manual.	1
E	332/P7129	Run over hazard. Start the engine from the operator's seat only. Do not short across the terminals.	2
F	332/P7131	Pressure hazard. Read the Service Manual.	1
G	332/P7128	Burns to fingers and hands. Stay a safe distance away.	2
H	817/70029	Warning. Crush hazard. Wear seat belt.	1
J	817/70027	Warning. Crushing of whole body. Keep a safe distance.	2
K	332/P7181	Crushing of whole body. Attach/use the support or prop to lockout for service, maintenance or any access.	1
L	817/70008	Crushing of whole body. Keep a safe distance from machine.	2
M	817/70014	Warning. Read the Operator's Manual before you operate the machine.	1

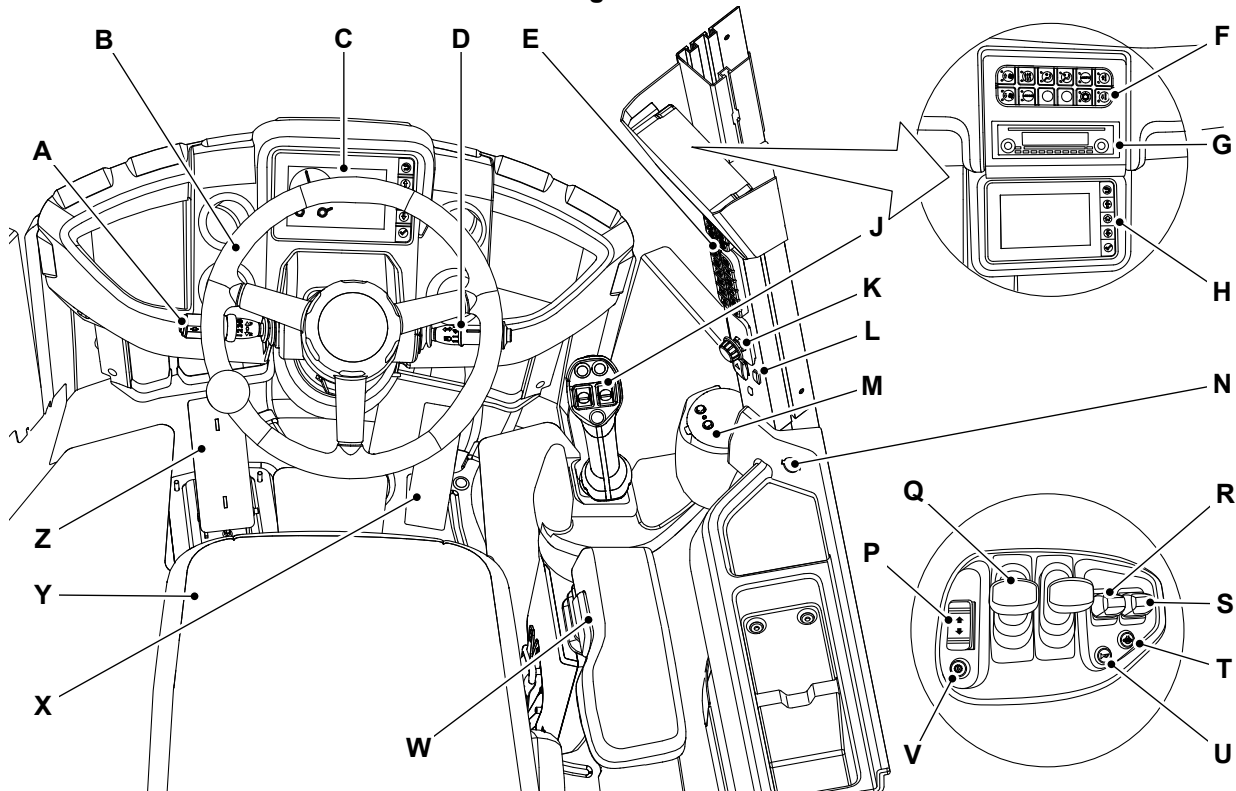
# Operator Station

## Component Locations

For: 427 [T4F], 437 [T4F] ..... Page 18  
 For: 435S [T4F] ..... Page 19

(For: 427 [T4F], 437 [T4F])

Figure 10.



- |  |   |
|--|---|
| <p><b>A</b> Transmission <a href="#">Refer to: Drive Controls (Page 68).</a></p> <p><b>C</b> Front display panel <a href="#">Refer to: Instruments (Page 79).</a></p> <p><b>E</b> Console switches <a href="#">Refer to: Console Switches (Page 23).</a></p> <p><b>G</b> Radio</p> <p><b>J</b> Proportional lever controls <a href="#">Refer to: Operating Levers/Pedals (Page 95).</a></p> <p><b>L</b> Park brake switch <a href="#">Refer to: Park Brake (Page 74).</a></p> <p><b>N</b> Starter switch <a href="#">Refer to: Ignition Switch (Page 20).</a></p> <p><b>Q</b> Multi lever controls <a href="#">Refer to: Drive Controls (Page 68).</a></p> <p><b>S</b> Secondary auxiliary controller (option)</p> <p><b>U</b> Horn</p> <p><b>W</b> Armrest <a href="#">Refer to: Armrest (Page 44).</a></p> <p><b>Y</b> Seat <a href="#">Refer to: Operator Seat (Page 41).</a></p> | <p><b>B</b> Steering wheel <a href="#">Refer to: Steering Wheel (Page 69).</a></p> <p><b>D</b> Multi purpose steering column switch <a href="#">Refer to: Multi-Purpose Switch (Page 20).</a></p> <p><b>F</b> ATC (Automatic Temperature Control) panel or optional manual HVAC (Heating Ventilation Air Conditioning) controls <a href="#">Refer to: Air-Conditioning Controls (Page 105).</a></p> <p><b>H</b> Secondary display panel (option) <a href="#">Refer to: Instruments (Page 79).</a></p> <p><b>K</b> Rotary switch panel <a href="#">Refer to: Instruments (Page 79).</a></p> <p><b>M</b> Coffee machine (option)</p> <p><b>P</b> Forward reverse switch <a href="#">Refer to: Forward, Neutral and Reverse Switch (Page 70).</a></p> <p><b>R</b> Primary auxiliary controller (option) <a href="#">Refer to: Auxiliary Circuit Controls (Page 97).</a></p> <p><b>T</b> Differential lock</p> <p><b>V</b> Transmission kickdown switch <a href="#">Refer to: Transmission Kickdown Switch (Page 74).</a></p> <p><b>X</b> Accelerator pedal <a href="#">Refer to: Accelerator Pedal (Page 70).</a></p> <p><b>Z</b> Service brake pedal <a href="#">Refer to: Service Brake Pedal (Page 73).</a></p> |
|--|---|

This as a preview PDF file from [best-manuals.com](http://best-manuals.com)



Download full PDF manual at [best-manuals.com](http://best-manuals.com)