

Quality Changes the World



Wide-Body Dump Truck

SKT90S



Parts Book

Parts Book



SKT90S

Wide-Body Dump Truck

Equipment No. KT090SE20278

Overview

This book provides illustrations and parts listings required to properly identify and order replaceable parts on your Sany machine.

If this book becomes damaged, lost or illegible, request a replacement copy from your Sany distributor.

In case you sell this machine, be sure to give this parts book to the new owner.

Improvements in the design may lead to changes in detail which may not be indicated in this book. Always consult your Sany distributor for the latest available information on your equipment or if you have questions regarding information in this book.

Storing this parts book

This publication applies only to this specific machine and should not be used with any other machines.

Always keep this book available for reference.

Contact Details

No.25, Street,Kaifa Avenue,Economic and Technical Development Zone,Shenyang,Liaoning,China

Service Hotline:+86- 400-880-8318

Website: <http://www.sanyhe.com>

Sany Group Service Information System

Website: <http://sis.sanygroup.com>

BLANK PAGE

Table of Contents

Group 1 SKT90MLR Off-Highway Truck	1-1
ODT100000107 SKT90MLR Off-Highway Truck.....	1-2
Group 2 Cab Assembly	2-1
ODT007042351 Cab Assembly.....	2-2
130901001366A Driver Cab ASSY.....	2-4
60274683 Brake Clutch Pedal Assembly.....	2-8
60198935 Evaporator.....	2-10
14353150 Air Conditioning Installation.....	2-12
141501000202A Air Conditioner.....	2-16
14429051 Driver Compartment Lifter Installation.....	2-18
130999000001A Driver Compartment Lifter.....	2-20
ODT004828096 Dashboard Mounting Assembly.....	2-22
ODT004828082 Right Mud Guard Plate Assembly.....	2-24
ODT004828063 Left Mud Guard Plate Assembly.....	2-26
14354266 Driver's Cab Suspension Assembly.....	2-28
14353842 Rear Suspension.....	2-30
14353820 Rear Suspension.....	2-32
14429505 Tension Device.....	2-34
14353585 Platform Installation.....	2-36
Group 3 Electric system assem	3-1
ODT007049662 Electric system assem.....	3-2
ODT007277121 Cab electrical system.....	3-4
14355429 Vehicle Body Electrical System.....	3-6
14501918 Diagram of the Proximity Switch Component.....	3-8
ODT007459356 Battery box.....	3-10
14355263 Source Wiring ASSY.....	3-12
Group 4 Carriage Assembly	4-1
14350422 Carriage Assembly.....	4-2
ODT005131374 Hand Guard Rail ASSY.....	4-14
Group 5 Transmission system assembly	5-1
ODT007057733 Transmission system assembly.....	5-2
ODT007053840 Front axle installation assembly.....	5-4
ODT008513878 Tyre assembly.....	5-10
250901040643A Steering Cylinder.....	5-12
ODT007054939 Central axle installation assembly.....	5-14
ODT008513878 Tyre assembly.....	5-18

131401020106A Middle Axle	5-20
ODT007055591 Rear axle installation assembly	5-38
ODT008513878 Tyre assembly	5-42
131401020112A Rear Axle	5-44
14355248 Clutch Installation ASSY	5-62
14431759 Clutch Booster ASSY	5-64
14355266 Gearbox Installation Assembly	5-66
14355139 Gearbox Rear Suspension	5-68
14355242 Select Gear Shifting Mechanism Assembly	5-70
14355440 Transmission Shaft Installation Assembly	5-72
131300000031A Oil Pump Transmission Shaft Assy	5-74

Group 6 Power System 6-1

14350336 Power System	6-2
14352571 Engine	6-4
160102120007A Engine	6-8
160102120007A013 Engine Assembly	6-12
160102120007A010 crankcase assembly	6-14
160102120007A011 crankcase pre-assembly	6-16
160102120008A168 Spray Nozzle Group	6-18
160102120008A169 Flywheel Housing Group	6-20
160102120008A170 Front End Cover Group	6-22
160102120008A171 Crankshaft Group	6-24
160102120008A172 Crankshaft Assembly	6-26
160102120008A173 Crankshaft Subassembly	6-28
160102120008A174 Main Bearing Group	6-30
160102130004A043 Thrust Plate Group	6-32
160102120008A175 Flywheel Group	6-34
160102120008A176 Piston and Connecting Rod Group	6-36
61000214 Piston Assembly	6-38
60141414 Ring Assembly, Piston	6-40
169900000078A Connecting Rod Assembly	6-42
160102120008A177 Cylinder Head Group	6-44
160102120007A016 Cylinder Head Assembly	6-46
160102130004A047 Eye Ring Group	6-48
160102130004A048 Cylinder Head Cover Group	6-50
61001586 Cylinder Head Cover Assembly	6-52
160102120007A019 Fuel Filler Cap Assembly	6-54
160102120008A179 Oil-gas Separator Group	6-56
160102120008A180 Valve Train Group	6-58
60352050 Bracket Assembly	6-60
168899000003 Rocker Arm Assembly	6-62
61000114 Rocker Arm Assembly	6-64
61000722 Camshaft Assembly	6-66
60352182 Rocker Arm Shaft Assembly	6-68
160102120008A181 Gear Drive Group	6-70

169900000086A Gear Assembly, Idler	6-72
169900000087A Idler Gear	6-74
160102130004A052 Power Take-offgroup	6-76
160102120007A021 Rear Loader Assembly	6-78
160102120008A182 Crankshaft Pulley Group.....	6-80
160102120008A183 Oil Pan Group.....	6-82
168899003948A Oil Pan Assembly	6-84
160102120008A184 Oil Dipstick Group	6-86
160102120008A185 Oil Pump Group	6-88
160102120008A186 Oil Strainer Group.....	6-90
160102120008A187 Oil Cooler Group	6-92
160102120007A014 Oil Cooler Cap Assembly.....	6-94
160102120008A213 Oil Cooler Cap Assembly.....	6-96
160102120008A190 Oil Filter Group	6-98
61000119 Filter, Engine Oil	6-100
160102120008A191 Oil Filling Tube Group	6-102
160102130004A062 Water Outlet Pipe Group.....	6-104
160102120007A015 Water Pump Combinative Organize	6-106
160102130004A064 Water Pump Inlet Pipe Joint Group.....	6-108
160102130004A065 Venting Pipe Group	6-110
160102130004A066 Thermostat Group.....	6-112
160102120008A194 Fan Bracket Group	6-114
160102120008A195 Fan and Hub Group.....	6-116
160102120008A196 Fuel Injection Pump Group.....	6-118
61000166 Pump, Injection	6-120
160401000001A Fuel Injection Pump Assembly	6-122
160102120008A197 Fuel Injector Group	6-124
60352073 High Pressure Coupling	6-126
160102120008A198 Low Pressure Fuel Pipe Group.....	6-128
160102120008A199 Injector Return Pipe Group.....	6-130
160102120008A200 Fuel Filter Group	6-132
61019554 Fine Fuel Filter.....	6-134
61019553 Fuel Coarse Filter.....	6-136
160102120008A201 High Pressure Fuel Pipe Group.....	6-138
160102130004A075 Common Railgroup.....	6-140
160102130004A076 Intake Manifold Group.....	6-142
160102120008A202 Turbocharger Group	6-144
160102120008A203 Turbocharger Oil Pipe Group	6-146
160102120008A204 Exhaust Manifold Group	6-148
160102130004A081 Air Compressor Group	6-150
160102130004A082 Hydraulic Pump Group.....	6-152
160102130004A083 Tensioner,Belt Group.....	6-154
160102130004A084 Starter Motor Group.....	6-156
160102130004A085 Engine Bracket Group.....	6-158
160102120008A205 Parts Box Group.....	6-160
160102120008A206 Electronic Control Unit Group	6-162

160102120008A207 Electronic Control System Harness Group	6-164
160102130004A089 Alternatorgroup	6-166
160102130004A090 Alternator Bracket Group	6-168
160102120008A208 Packing Box Chassis Parts Group	6-170
160603010026A Oil-Water Separator	6-172
160102130004A079 Compressor Pipe Group	6-174
ODT004611340 Fuel System.....	6-176
14352816 Air Filter Installation	6-184
14355760 Radiator and Circuit Change Installation	6-190
160801020108A Radiator	6-208
ODT005119437 Bracket	6-210
ODT006826783 exhaust system	6-212
Group 7 Hydraulic System Assembly	7-1
14350325 Hydraulic System Assembly	7-2
14354092 Steering system.....	7-4
14354090 Steering Gear ASSY	7-14
60308391 Piston Type Accumulator	7-16
14354089 Steering Valve Assembly	7-18
152300000088D Steering valve group	7-20
14353940 Filter Pipe Connector Installation	7-22
151501000022A High Pressure Filter	7-24
14357219 Lifting System	7-26
14357436 Brake System	7-36
ODT005269532 Solenoid Valve Assembly	7-56
14513879 Dryer Connector Installation	7-62
152599000112A Air Handling Unit	7-64
14513880 Relay Valve Adapter Installation	7-66
14513886 Relay Valve Adapter Installation	7-68
14513887 Relay Valve Adapter Installation	7-70
ODT004726538 Hydraulic Oil Tank Installation	7-72
ODT005598851 Hydraulic Oil Tank	7-74
60101256 Filter, Oil Return	7-76
24001922 Air Cleaner	7-78
Group 8 Stone Pallet ASSY	8-1
ODT005033749 Stone Pallet ASSY	8-2
ODT005032342 Stone Pallet	8-4
ODT005033381 Stone Pallet	8-6
Group 9 suspension assembly	9-1
ODT007273194 suspension assembly	9-2
ODT007269499 Front suspension assemble	9-4
250901040645A Front Suspension Cylinder.....	9-14
ODT007271561 Rear suspension assemble	9-16
131502000037A Balanced Suspension Assembly.....	9-26

131502000034A Spring, Steel Plate..... 9-28

Group 10 The packing case assembly 10-1

ODT008099232 The packing case assembly 10-2

ODT004790328 Tilter Base ASSY 10-10

ODT008099143 Packing case ontology..... 10-12

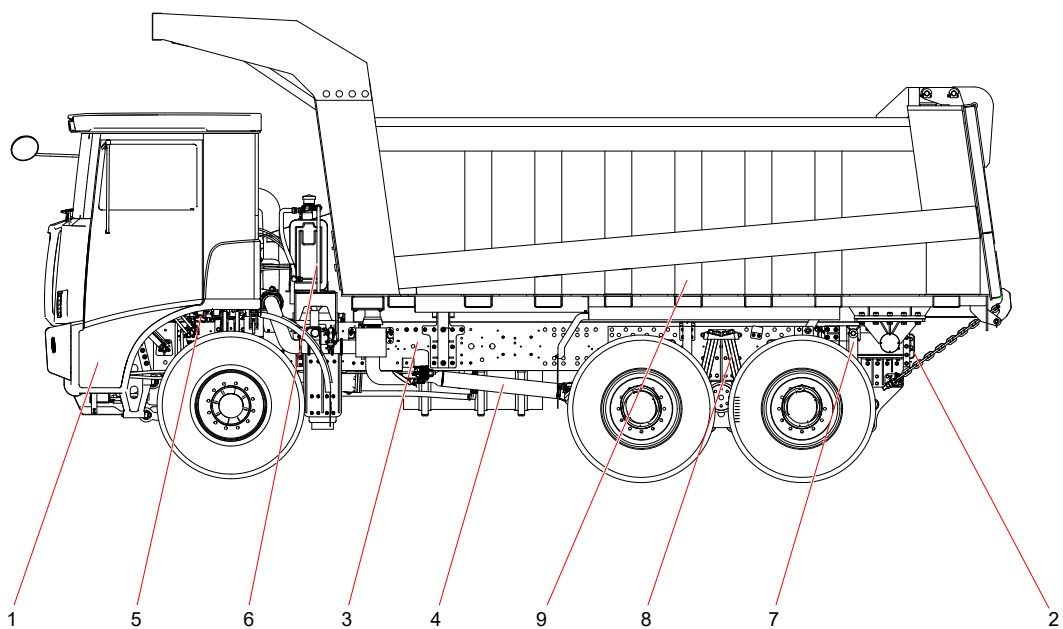
Group 11 centralized lubricating system assembly 11-1

ODT007554981 centralized lubricating system assembly 11-2

BLANK PAGE

Group 1

SKT90MLR Off-Highway Truck

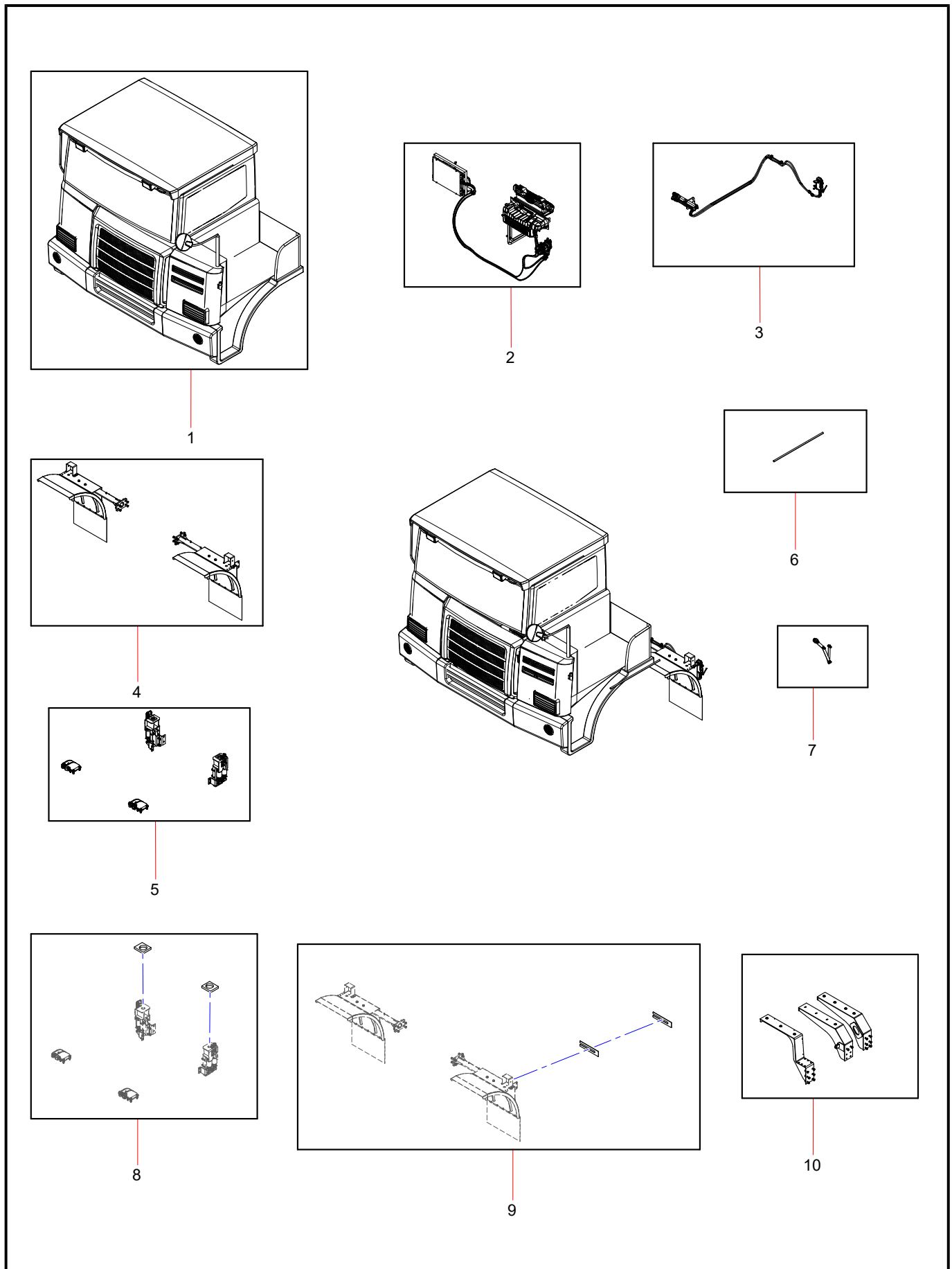


INDEX	PART NO.	DESCRIPTION	Remark	QTY	SEE PAGE
1	ODT007042351	Cab Assembly		1	2-2
2	ODT007049662	Electric system assem		1	3-2
3	14350422	Carriage Assembly		1	4-2
4	ODT007057733	Transmission system assembly		1	5-2
5	14350336	Power System		1	6-2
6	14350325	Hydraulic System Assembly		1	7-2
7	ODT005033749	Stone Pallet ASSY		1	8-2
8	ODT007273194	suspension assembly		1	9-2
9	ODT008099232	The packing case assembly		1	10-2
10	ODT007554981	centralized lubricating system assembly		1	11-2

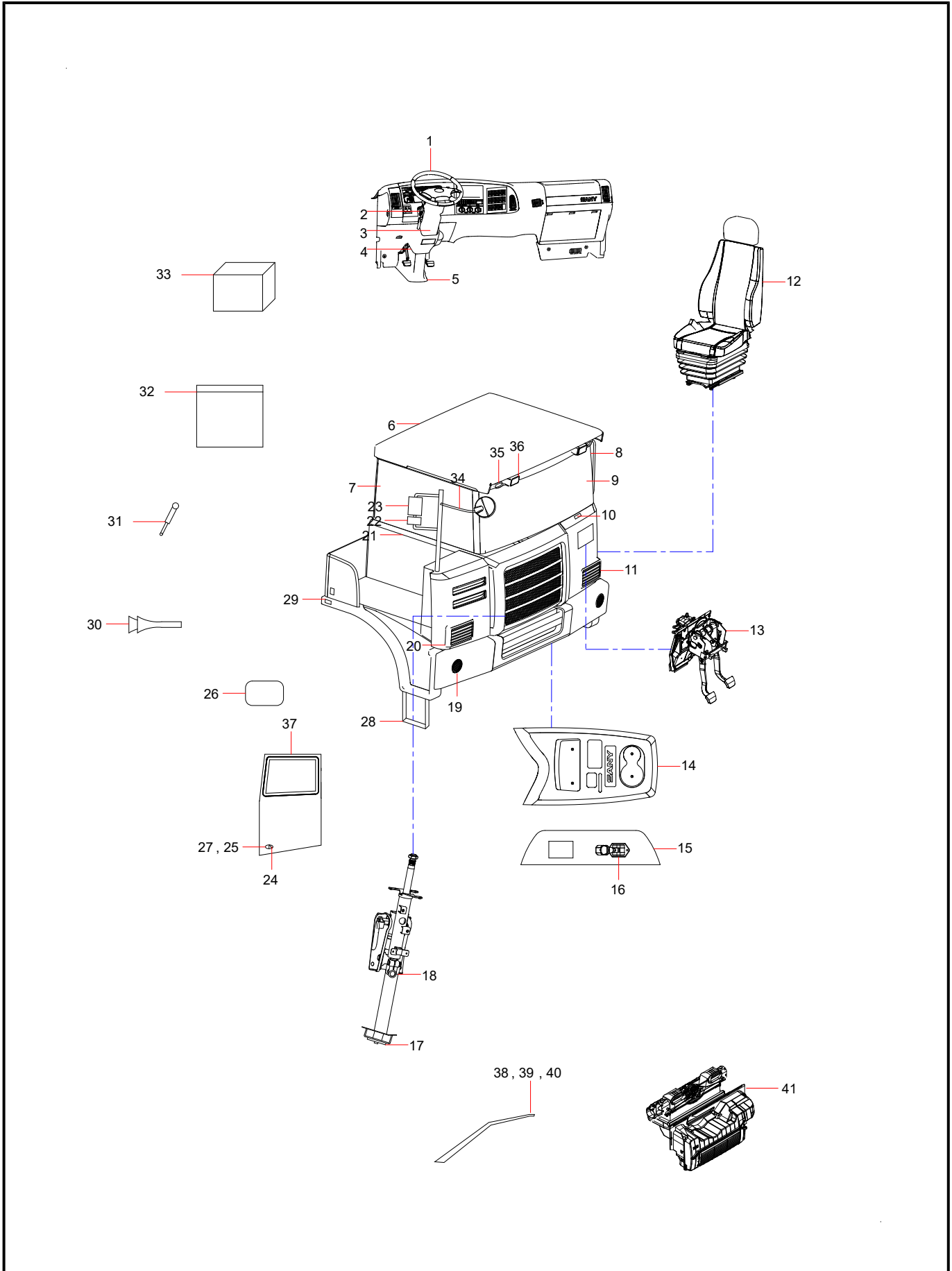
BLANK PAGE

Group 2

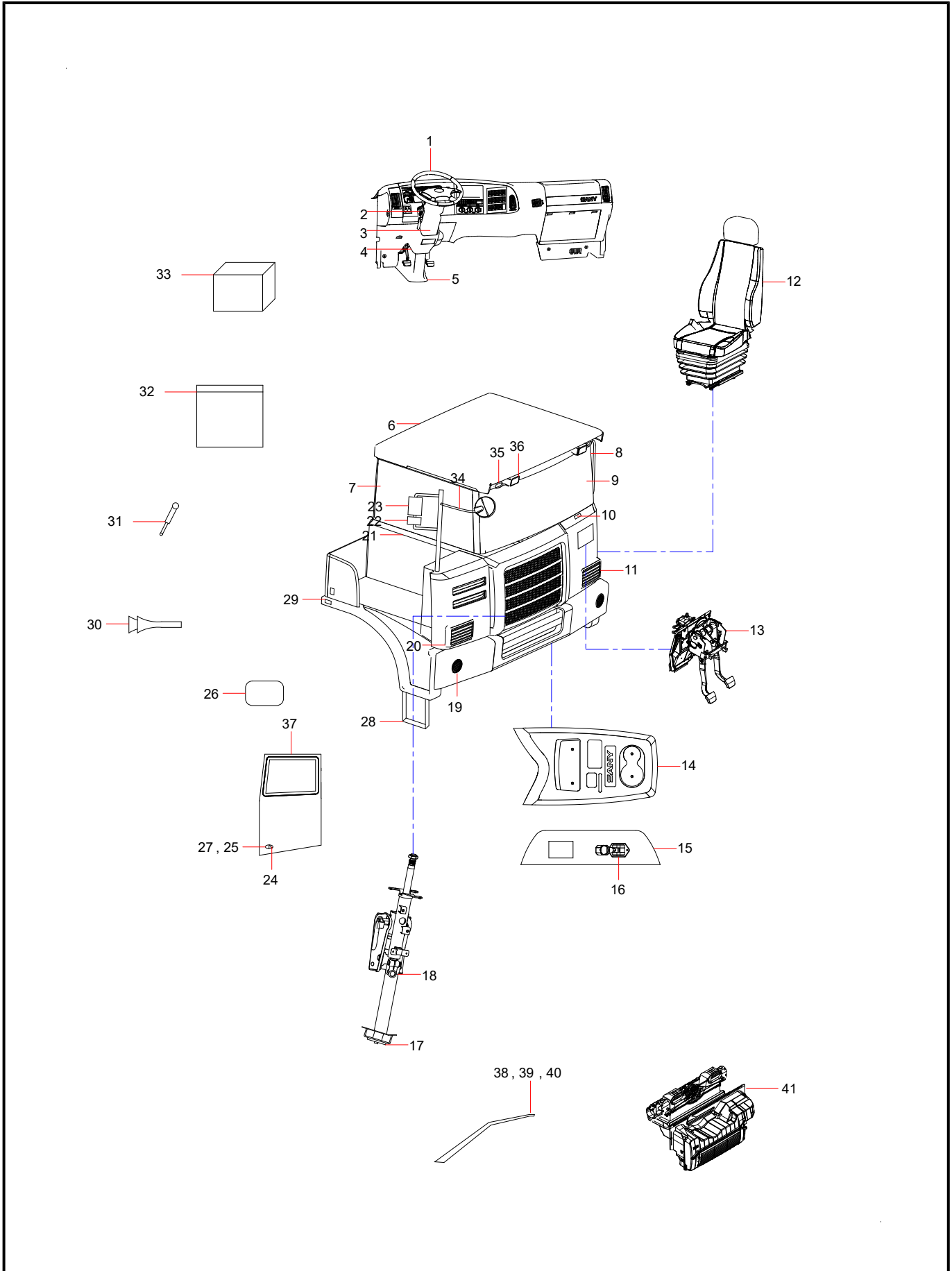
Cab Assembly



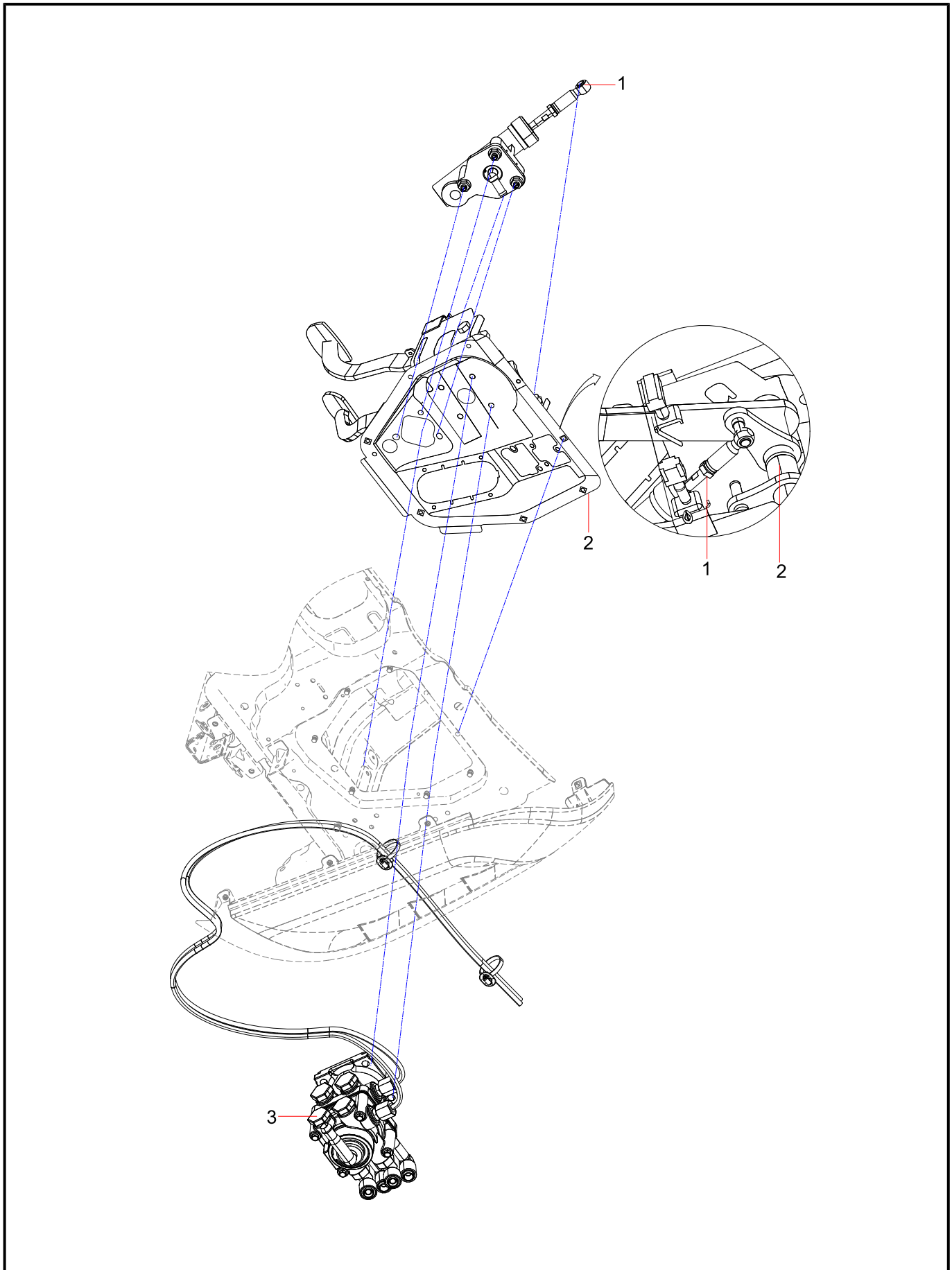
INDEX	PART NO.	DESCRIPTION	Remark	QTY	SEE PAGE
1	130901001366A	Driver Cab ASSY		1	2-4
2	14353150	Air Conditioning Installation		1	2-12
3	14429051	Driver Compartment Lifter Installation		1	2-18
4	ODT004828096	Dashboard Mounting Assembly		1	2-22
5	14354266	Driver's Cab Suspension Assembly		1	2-28
6	ODT004573620	Cab Lifting Strut		1	
7	14429505	Tension Device		1	2-34
8	ODT006255800	Shock Absorbing Pad		2	
9	ODT006278035	Gap Adjusting Piece		2	
10	14353585	Platform Installation		1	2-36



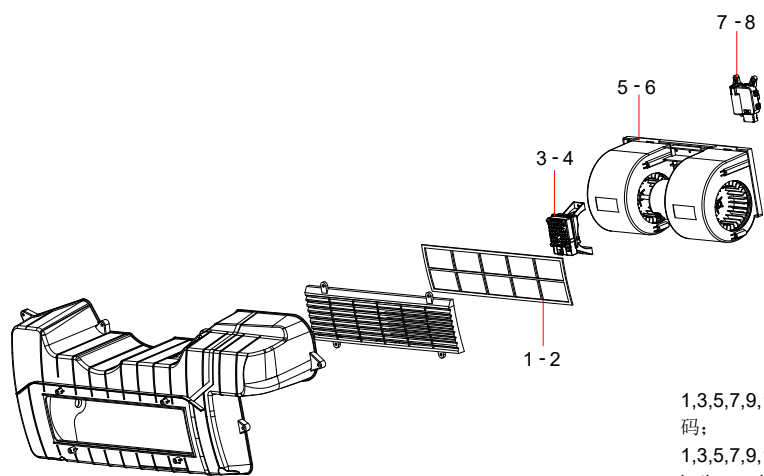
INDEX	PART NO.	DESCRIPTION	Remark	QTY	SEE PAGE
1	60207754	Steering Wheel ASSY		1	
2	11841901	Rear Covering Casing		1	
3	11859775	Front Covering Casing		1	
4	11841918	Corrugated Covering Casing		1	
5	11841932	Dust Cover		1	
6	130988000541A	Rear Windshield		1	
7	130988000543A	Platform Side Glass		1	
8	130988000542A	Sliding Window		1	
9	130988000540A	Front Baffle Glass		1	
10	130901000007A045	Wiper Connecting Rod		1	
11	130988000548A	Left Front Combined Lamp		1	
12	130901000007A023	Driver Seat		1	
13	60274683	Brake Clutch Pedal Assembly		1	2-8
14	130988000544A	Storage box		1	
15	130988000545A	Control desk		1	
16	60274682	Manual Valve Assembly		1	
17	130988000558A	Support ASSY		1	
18	130988000557A	Steering Transmission Shaft ASSY		1	
19	130988000563A	Front Fog Lamp		2	
20	130988000549A	Right Front Combined Lamp		1	
21	130988000547A	Wiper		1	
22	12273531	Hand Adjust the Lens of the Primary Mirror		2	
23	12273439	Hand Adjust the Lens of the Primary Mirror		2	
24	130988000556A	Door Catch		1	
25	130988000555A	Door Lock		1	
26	130988000562A	Driving Cab Toplight		1	
27	130901000007A043	Linside Linker		1	
28	130901000007A036	Rope Ladder		1	
29	130901000007A001	Indicator Light		2	
30	130901000007A027	Pneumatic Horn		1	
31	130901000007A019	Front Cover Plate Gas Spring		2	
32	130901000007A035	Sun Shading		1	
33	130901000007A039	Seat Box		1	
34	130901000007A024	Lower View Mirror		1	
35	130901000007A002	Indicator Light		4	
36	130901000007A005	Illuminating Light		2	
37	130901000007A025	Supplementary Blankoff Mirror		1	
38	130901000007A046	Wiper Electric Motor		1	
39	130901000007A047	Wiper Arm		2	
40	130901000007A048	Blade		2	



INDEX	PART NO.	DESCRIPTION	Remark	QTY	SEE PAGE
41	60198935	Evaporator		1	2-10



INDEX	PART NO.	DESCRIPTION	Remark	QTY	SEE PAGE
1	60118361	Clutch Main Pump		1	
2	60253355	Clutch Spring		1	
3	60274684	Foot Brake Valve		1	

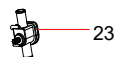
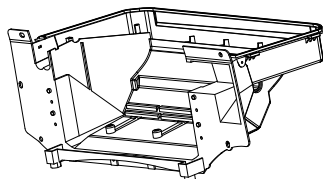
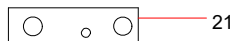
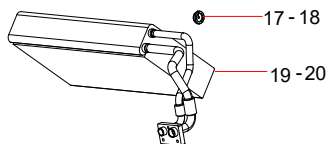
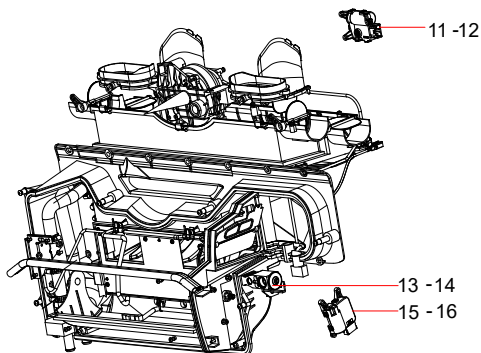
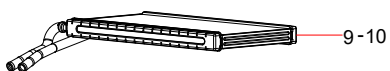


1,3,5,7,9,11,13,15,17,19,21,22,23为松芝的编码;

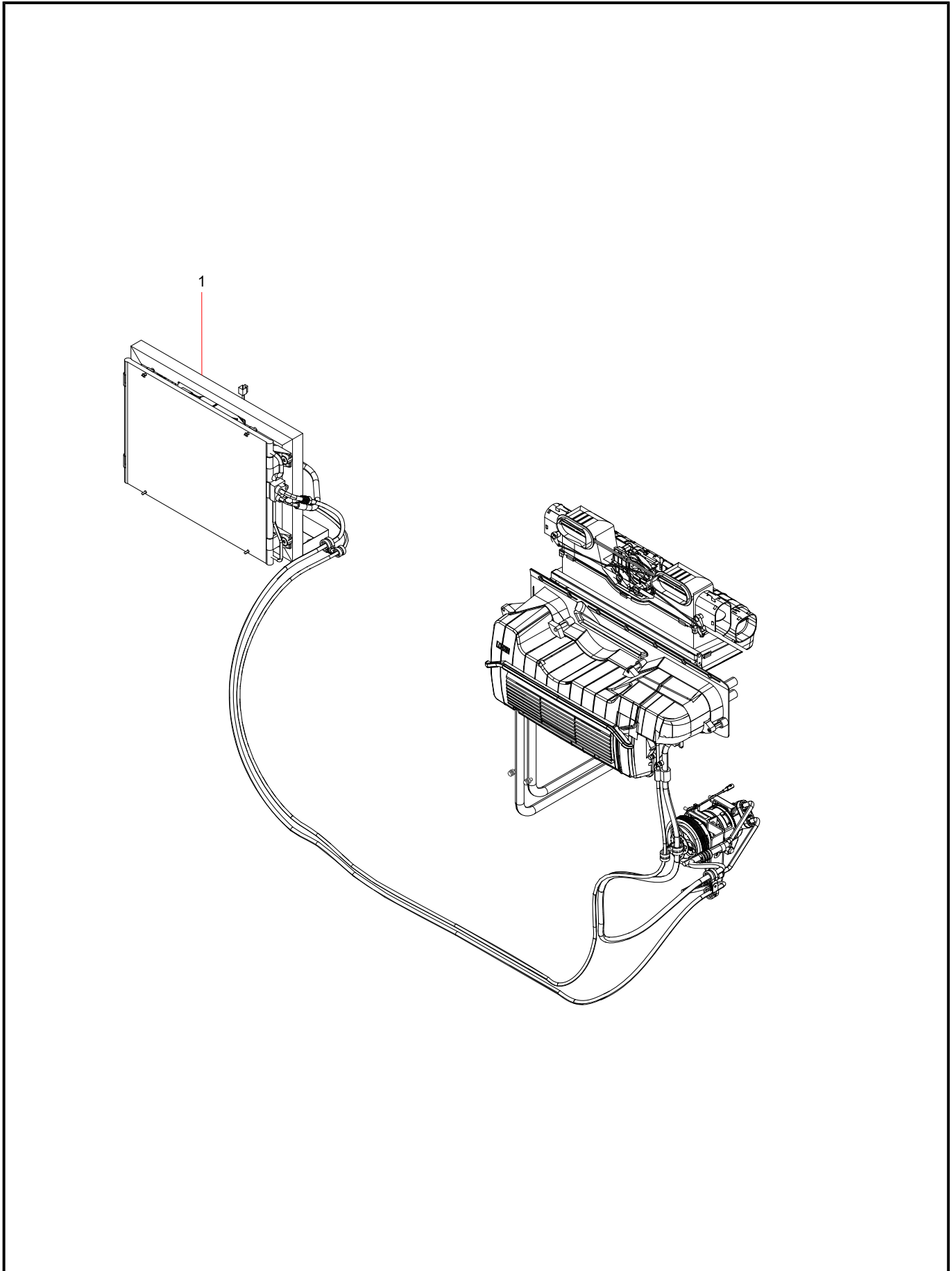
1,3,5,7,9,11,13,15,17,19,21,22,23 is the coding of Songz Automobile Air Conditioning Co., Ltd.

2,4,6,8,10,12,14,16,18,20,21,22,23为协众的编码

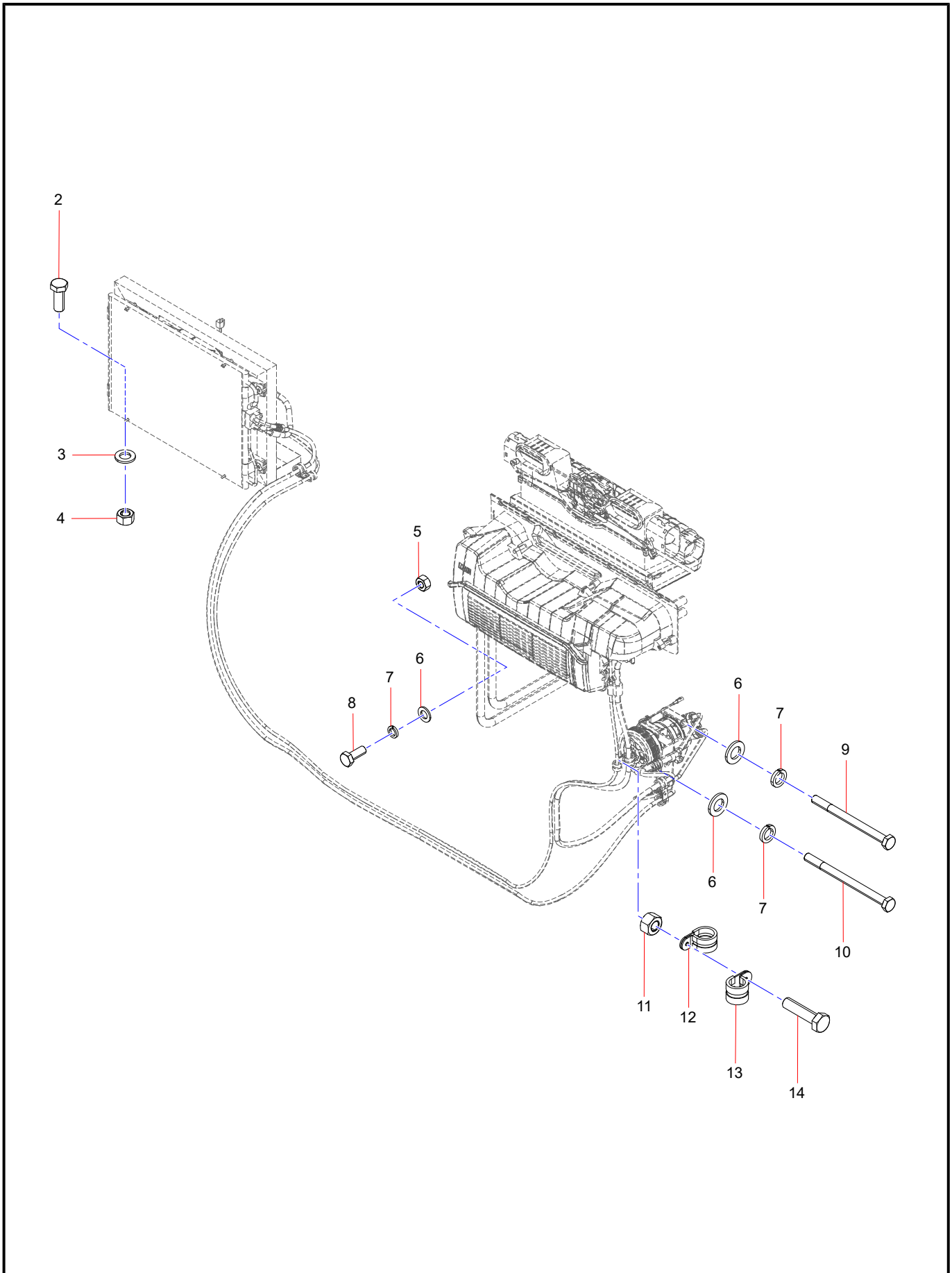
2,4,6,8,10,12,14,16,18,20,21,22,23 is the coding of Nanjing Xiezhong Auto-Airconditioner(GROUP)Co.,Ltd.



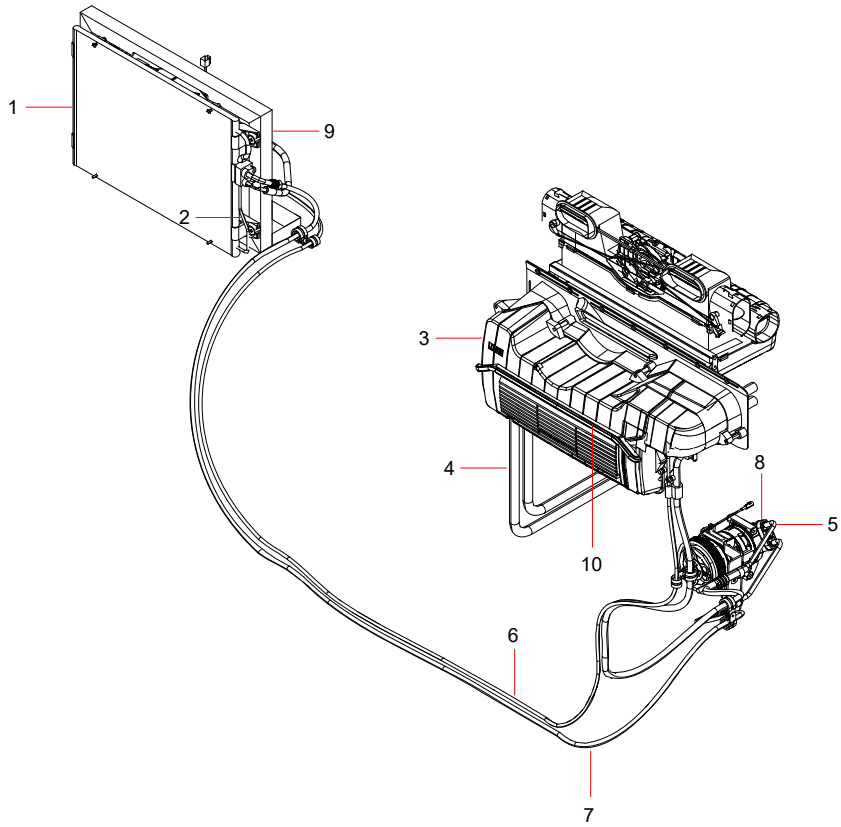
INDEX	PART NO.	DESCRIPTION	Remark	QTY	SEE PAGE
1	141502000017	Fresh Air Filter Screen		1	
2	141502000077	Fresh Air Filter		1	
3	60273570	Speed Regulation Module		1	
4	60183678	Speed Regulation Module		1	
5	60273568	Blower		1	
6	60273568	Blower		1	
7	60273567	Water Valve Motor		1	
8	60183684	Water Valve Motor		1	
9	60273563	Heater Core		1	
10	60284006	Heater Core		1	
11	60273565	Mode Motor		1	
12	60183683	Mode Motor		1	
13	60284008	Expansion Valve		1	
14	60284007	Expansion Valve		1	
15	60273566	Inner and Outer Cycle Motor		1	
16	60183682	Internal and External Mode Motor		1	
17	60273571	Thermistor		1	
18	60183685	Temperature Sensor		1	
19	60273569	Evaporator Core		1	
20	60284005	Evaporator Core		1	
21	60214066	Air Conditioner Control Panel		1	
22	60183687	Wire Harness		1	
23	60183686	Heater Valve		1	



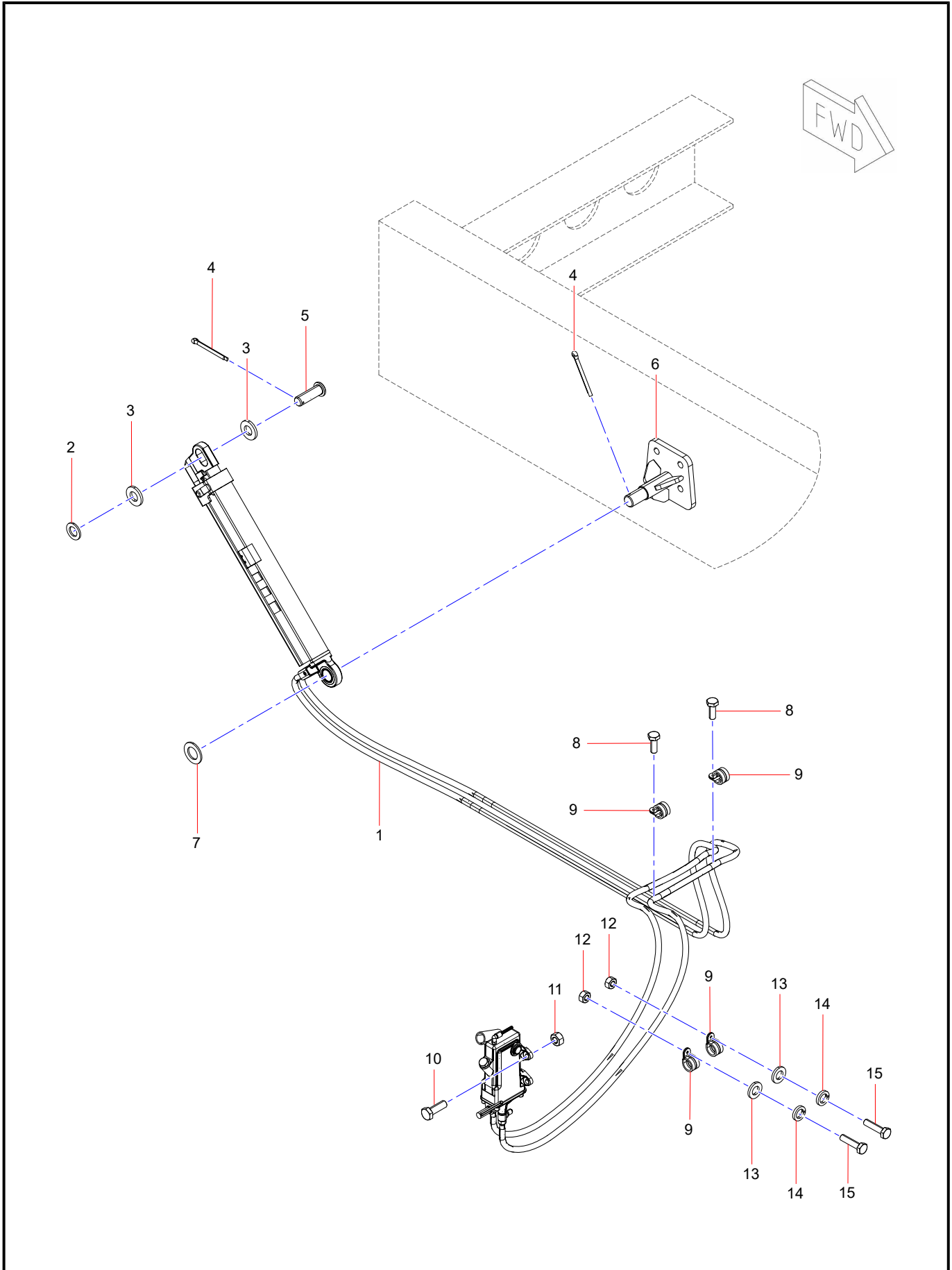
INDEX	PART NO.	DESCRIPTION	Remark	QTY	SEE PAGE
1	141501000202A	Air Conditioner		1	2-16
15	A230200000169	Wire Clip		1	



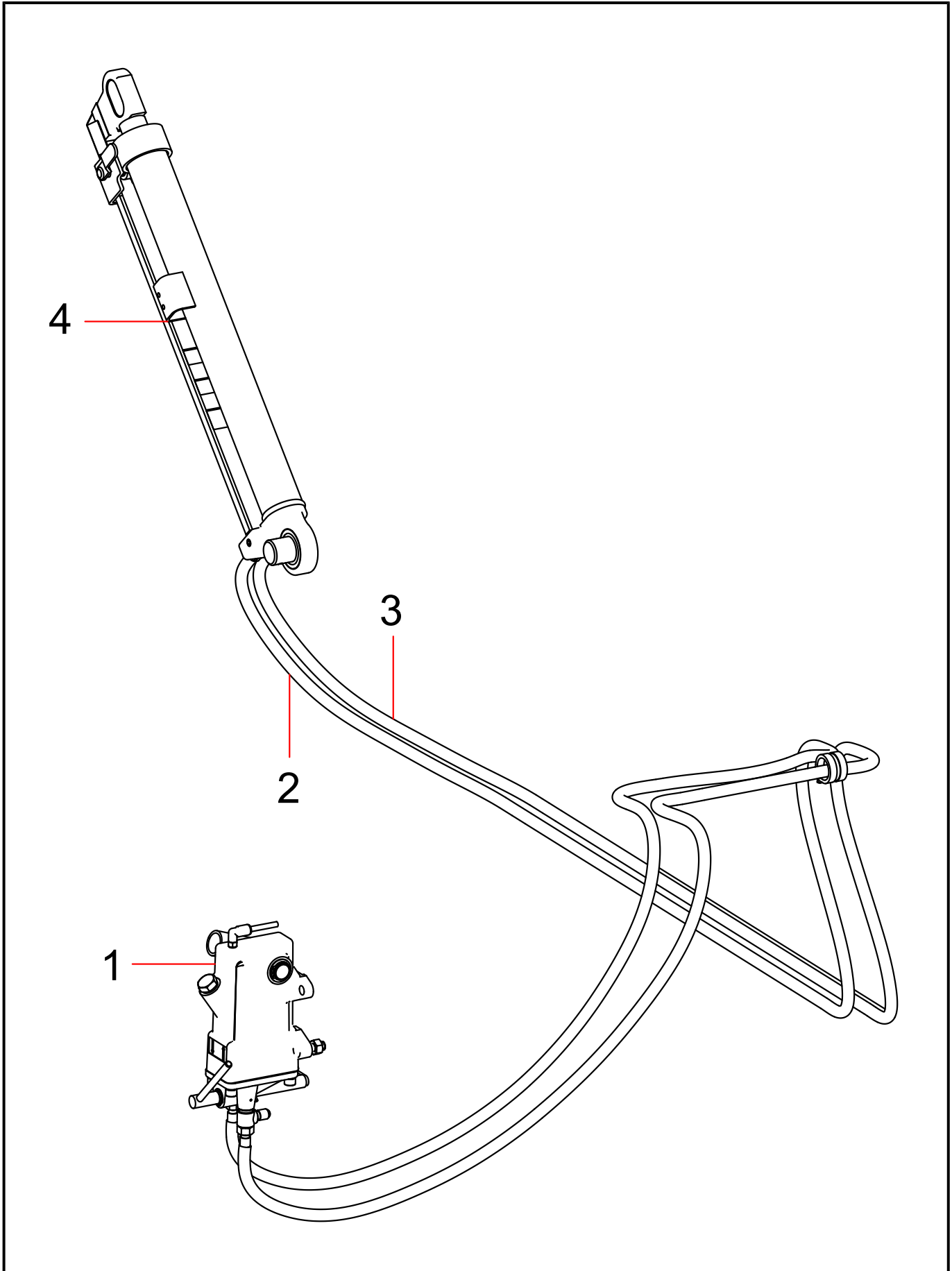
INDEX	PART NO.	DESCRIPTION	Remark	QTY	SEE PAGE
2	A210111000038	Bolt		4	
3	A210405000001	Washer		4	
4	A210307000001	Nut		4	
5	A210307000012	Nut		2	
6	A210405000007	Washer		6	
7	A210401000017	Washer		6	
8	A210111000089	Bolt		2	
9	A210110000253	Bolt		2	
10	A210110000367	Blot		2	
11	A210307000015	Nut		1	
12	A229900006641	Pipe Clamp		1	
13	A229900006640	Pipe Clamp		1	
14	A210111000071	Bolt		1	



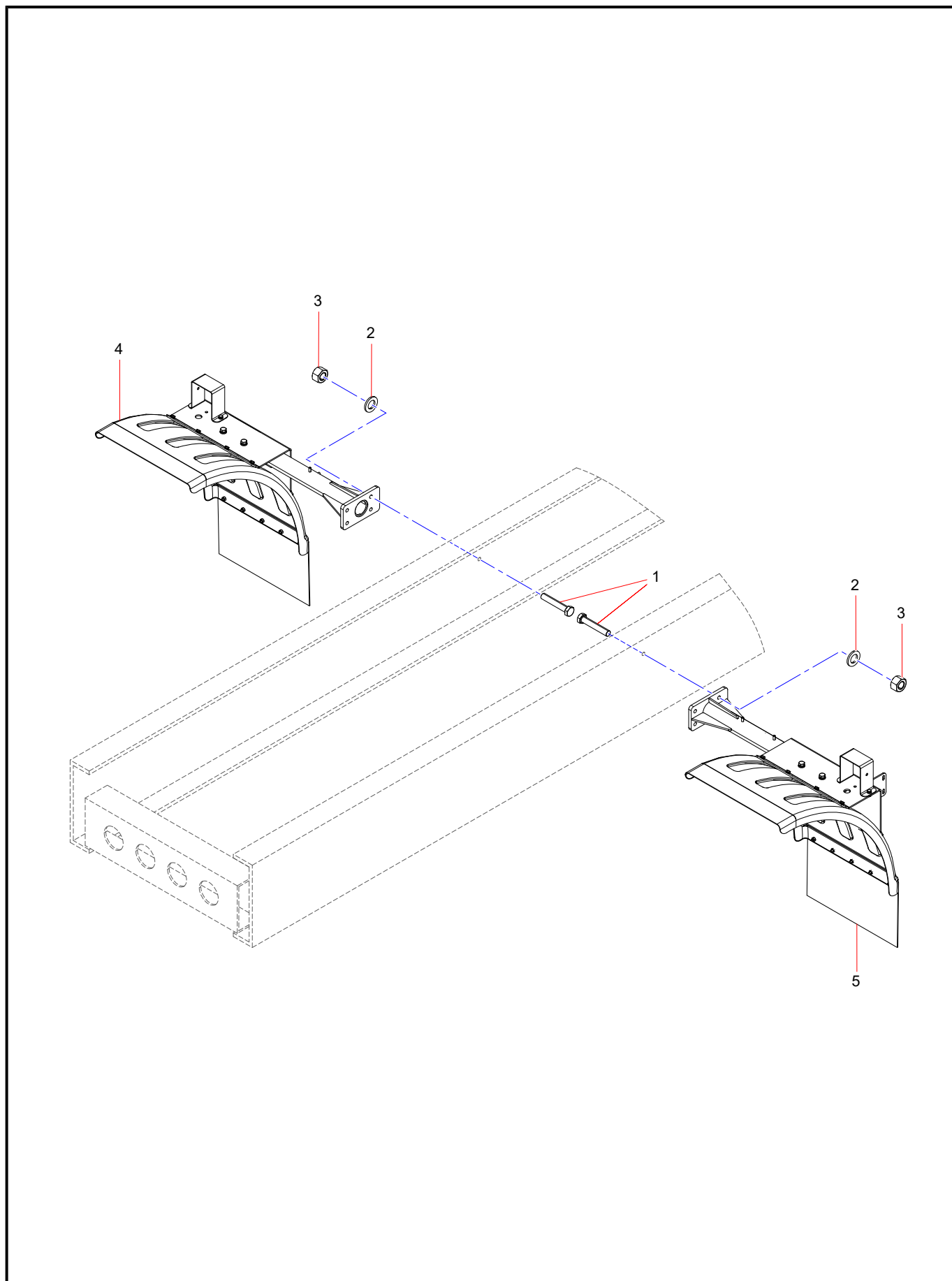
INDEX	PART NO.	DESCRIPTION	Remark	QTY	SEE PAGE
1	61025846	Condenser		1	
2	141502000087A	Cold-storage Hose		1	
3	60198935	Evaporator		1	
4	141502000092A	Hot Water Pipe		2	
5	141501000202A002	Compressor Suction Pipe		1	
6	141502000086A	Evaporation-storage Hose		1	
7	141501000202A003	Compressor Exhaust Pipe		1	
8	141501000202A001	Compressor		1	
9	141501000192A003	Condensing Fan		1	
10	60284008	Expansion Valve		1	



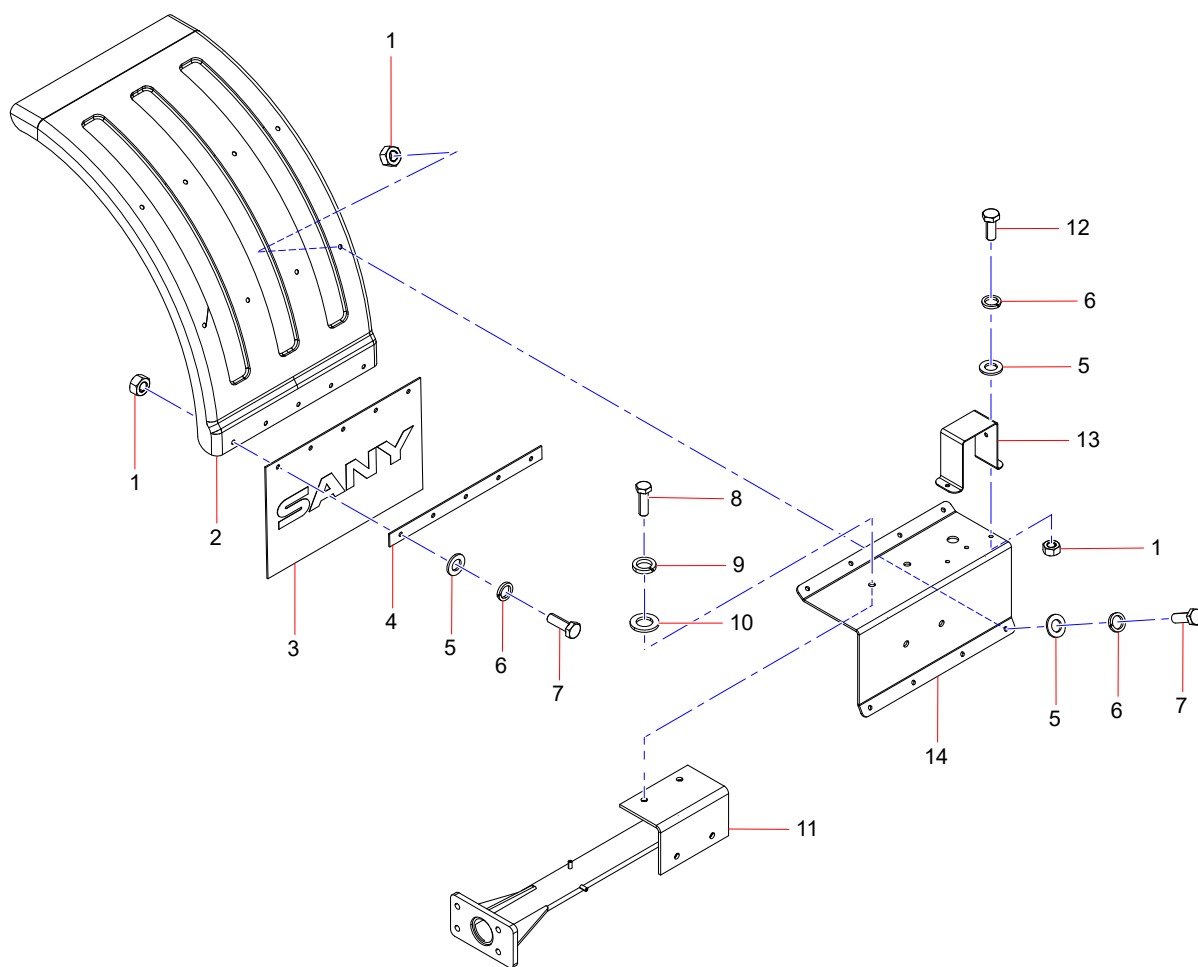
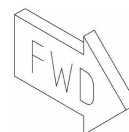
INDEX	PART NO.	DESCRIPTION	Remark	QTY	SEE PAGE
1	130999000001A	Driver Compartment Lifter		1	2-20
2	A210405000009	Washer		1	
3	14429049	Washer		2	
4	A210501000010	Pin		2	
5	14429050	Pin Mandrel		1	
6	14429055	Driving Cab Elevating Support		1	
7	A210405000014	Washer		1	
8	A210111000079	Bolt		2	
9	A229900006641	Pipe Clamp		4	
10	A210111000023	Bolt		4	
11	A210307000017	Nut		4	
12	A210307000016	Nut		2	
13	A210405000006	Washer		2	
14	A210401000016	Washer		2	
15	A210111000081	Bolt		2	



INDEX	PART NO.	DESCRIPTION	Remark	QTY	SEE PAGE
1	130988000565A	Lifting Pump		1	
2	130988000566A	Oil Pipe		1	
3	130988000567A	Oil Pipe		1	
4	130988000564A	Cab Lifting Cylinder Assembly (With Stay Rope)		1	



INDEX	PART NO.	DESCRIPTION	Remark	QTY	SEE PAGE
1	A210111000347	Bolt		8	
2	A210405000003	Washer		8	
3	A210307000040	Nut		8	
4	ODT004828082	Right Mud Guard Plate Assembly		1	2-24
5	ODT004828063	Left Mud Guard Plate Assembly		1	2-26



This as a preview PDF file from best-manuals.com



Download full PDF manual at best-manuals.com