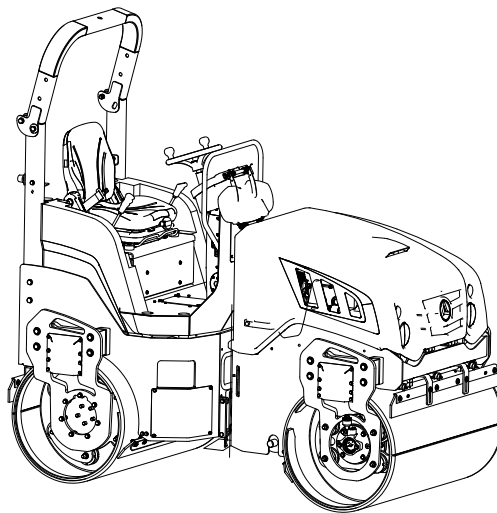


Quality Changes the World



# Tandem Roller

## STR30C-8



---

**Parts Book**



# Parts Book



**STR30C-8**

**Roller**

---

Equipment No.      YZ2703CC1408



## **Overview**

This book provides illustrations and parts listings required to properly identify and order replaceable parts on your Sany machine.

If this book becomes damaged, lost or illegible, request a replacement copy from your Sany distributor.

In case you sell this machine, be sure to give this parts book to the new owner.

Improvements in the design may lead to changes in detail which may not be indicated in this book. Always consult your Sany distributor for the latest available information on your equipment or if you have questions regarding information in this book.

## **Storing this parts book**

This publication applies only to this specific machine and should not be used with any other machines.

Always keep this book available for reference.

## **Contact Details**

SANY Industry Town, Economic and Technological Development Zone, Changsha, Hunan China 410100

Tel: 0731-84031888

Fax: 0731-84031999

Service Hotline: 4008 87 8318

Complaint Hotline: 4008 87 9318

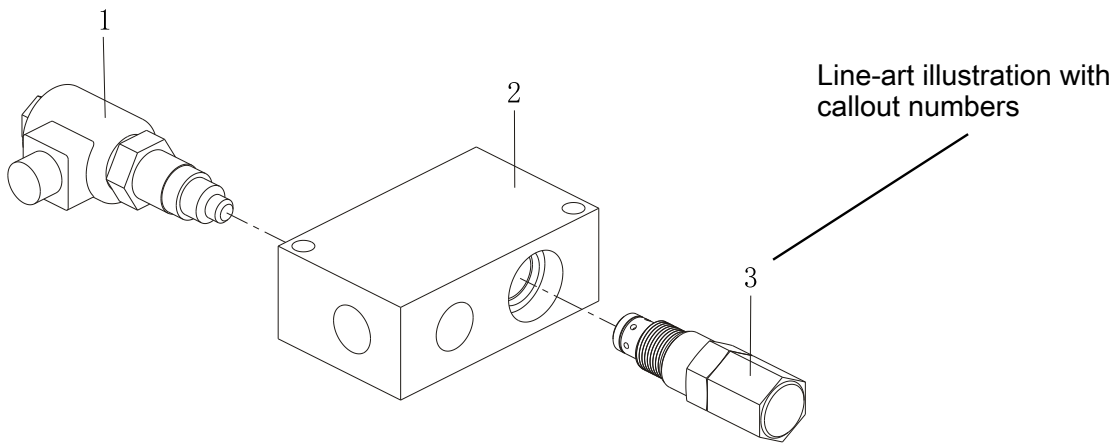
Email: Sanyservice@sany.com.cn

Website: www.sanyglobal.com

## **Sany Group Service Information System**

<http://sis.sanygroup.com>

Page header with parts code, and parts description



Page footer with page number, chapter title, machine model and product name

Page header with parts code, and parts description

INDEX: that matches callout numbers on previous illustration page

SEE PAGE: for page information of the part or assembly

INDEX	PART NO.	DESCRIPTION	QTY	SEE PAGE
1	B220401000459	Valve Assembly, Solenoid	1	
2	A820103010415	Change Valve Block, Cooling Oil Motor	1	
3	B220400000083	Relief Valve	1	

PART NO.: to be used along with DESCRIPTION to identify the part or assembly

DESCRIPTION: to be used along with PART NO. to identify the part or assembly

QTY: it indicates the number of each part used in this assembly

Page footer with page number, chapter title, machine model and product name

BLANK PAGE



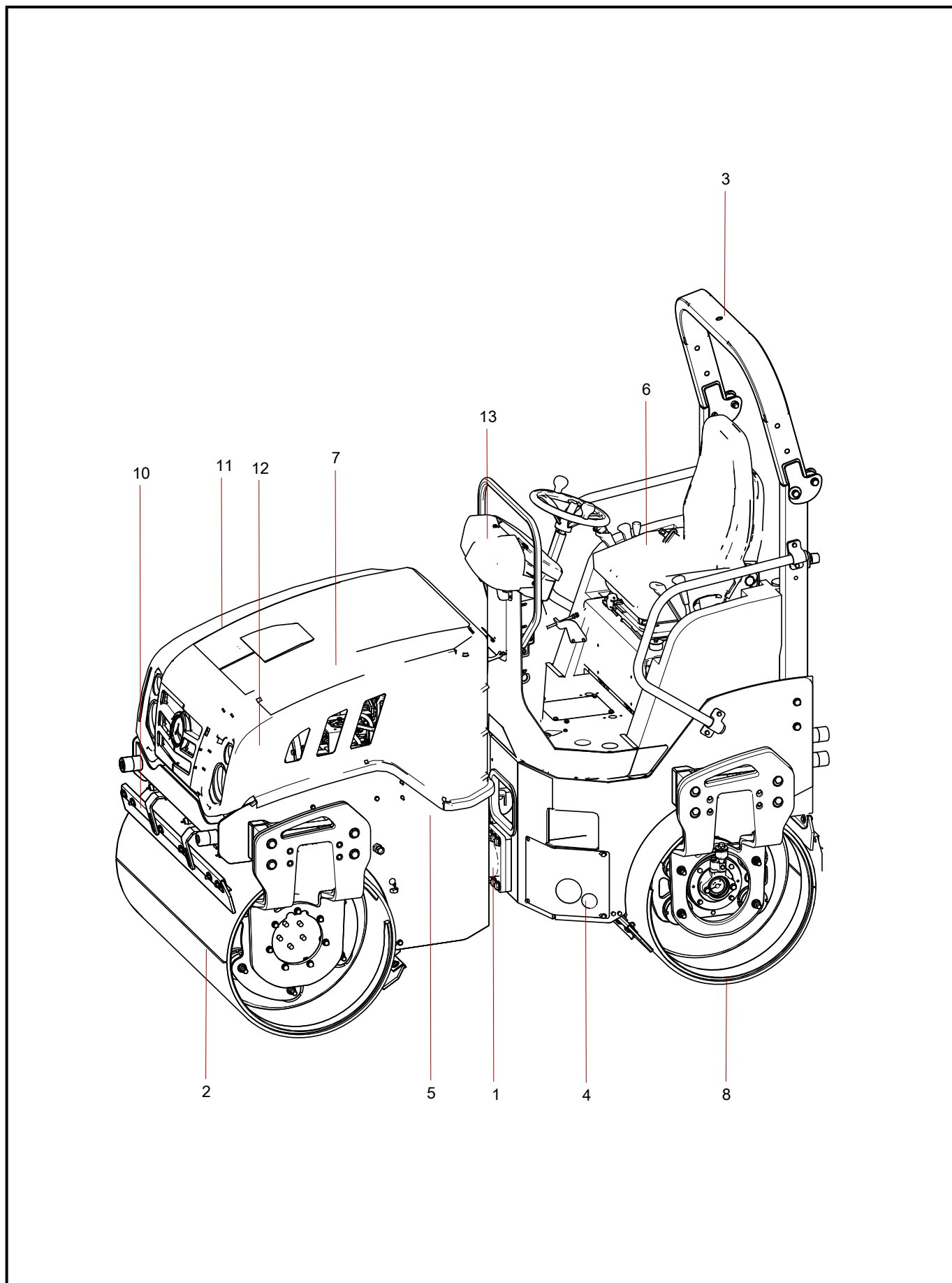
# Table of Contents

<b>Group 1 STR30C-8 Sany TDouble Drum Vibratory Roller body .....</b>	<b>1-1</b>
YLJ100000023 STR30C-8 Sany TDouble Drum Vibratory Roller body .....	1-2
<b>Group 2 Center articulation frame .....</b>	<b>2-1</b>
YLJ004573329 Center articulation frame .....	2-2
<b>Group 3 Front drum assembly .....</b>	<b>3-1</b>
YLJ004574697 Front drum assembly .....	3-2
<b>Group 4 Anti-tip bracket .....</b>	<b>4-1</b>
YLJ004592371 Anti-tip bracket .....	4-2
<b>Group 5 Rear frame AS .....</b>	<b>5-1</b>
YLJ004595236 Rear frame AS .....	5-2
<b>Group 6 Front frame AS .....</b>	<b>6-1</b>
YLJ004596619 Front frame AS .....	6-2
YLJ004594228 Upper scraper assem. ....	6-6
YLJ005335906 Diesel oil tank .....	6-8
YLJ004711235 Anti-collision component .....	6-10
YLJ005337757 Hydraulic Fuel Tank .....	6-12
<b>Group 7 Control platform assembly .....</b>	<b>7-1</b>
YLJ004823031 Control platform assembly .....	7-2
<b>Group 8 Engine system .....</b>	<b>8-1</b>
YLJ004842109 Engine system .....	8-2
YLJ004581943 Oil line and accessories .....	8-4
YLJ004581944 Engine installation .....	8-10
YLJ004582379 Cooling system .....	8-12
YLJ004823293 Intake System .....	8-14
YLJ004579453 Exhaust system .....	8-16
<b>Group 9 wheel steel .....</b>	<b>9-1</b>
YLJ004846454 wheel steel .....	9-2
<b>Group 10 Water spraying system .....</b>	<b>10-1</b>
YLJ004581950 Water spraying system .....	10-2
YLJ004581072 Water tank component .....	10-8

YLJ004581949 Water sprinkling pipe component .....	10-10
YLJ004581106 Mounting rack of pipeline .....	10-12
YLJ004581044 Water sprinkling pipe component .....	10-14
<b>Group 11 Hood assembly .....</b>	<b>11-1</b>
YLJ004595688 Hood assembly .....	11-2
YLJ004733083 Latch mechanism .....	11-6
<b>Group 12 Hydraulic basic diagram .....</b>	<b>12-1</b>
YLJ004828198 Hydraulic basic diagram .....	12-2
YLJ004566059 Front traveling motor .....	12-4
YLJ007427262 Vibration control valve assembly .....	12-6
11626702 Vibration control valve component .....	12-8
YLJ004567662 Vibration Motor Installation .....	12-10
YLJ004822263 Traveling system .....	12-12
13029066 Filter component .....	12-14
13822834 Steering valve assembly .....	12-16
YLJ004571858 Hydraulic steering pump .....	12-18
YLJ004824346 Steering pipeline .....	12-20
11626648 Brake control valve block .....	12-22
YLJ004820631 Double pump installation .....	12-24
YLJ004828196 Piping diagram of vibratory system .....	12-26
YLJ004825481 Oil-returning pipe assem. ....	12-34
YLJ005083163 Pressure filter component .....	12-36
<b>Group 13 Electrical system of roller .....</b>	<b>13-1</b>
YLJ004956325 Electrical system of roller .....	13-2
YLJ004584948 Power supply assembly .....	13-4
YLJ004845439 Electrical Control Box Assembly .....	13-6
YLJ004831878 Instrument plate assembly .....	13-8
YLJ004956298 front body electric system .....	13-10
YLJ004956303 back body electric system .....	13-12
YLJ004845456 Electric system assembly of Seat .....	13-14
YLJ005742382 electrical harness Assembly .....	13-16

# Group 1

## STR30C-8 Sany TDouble Drum Vibratory Roller body

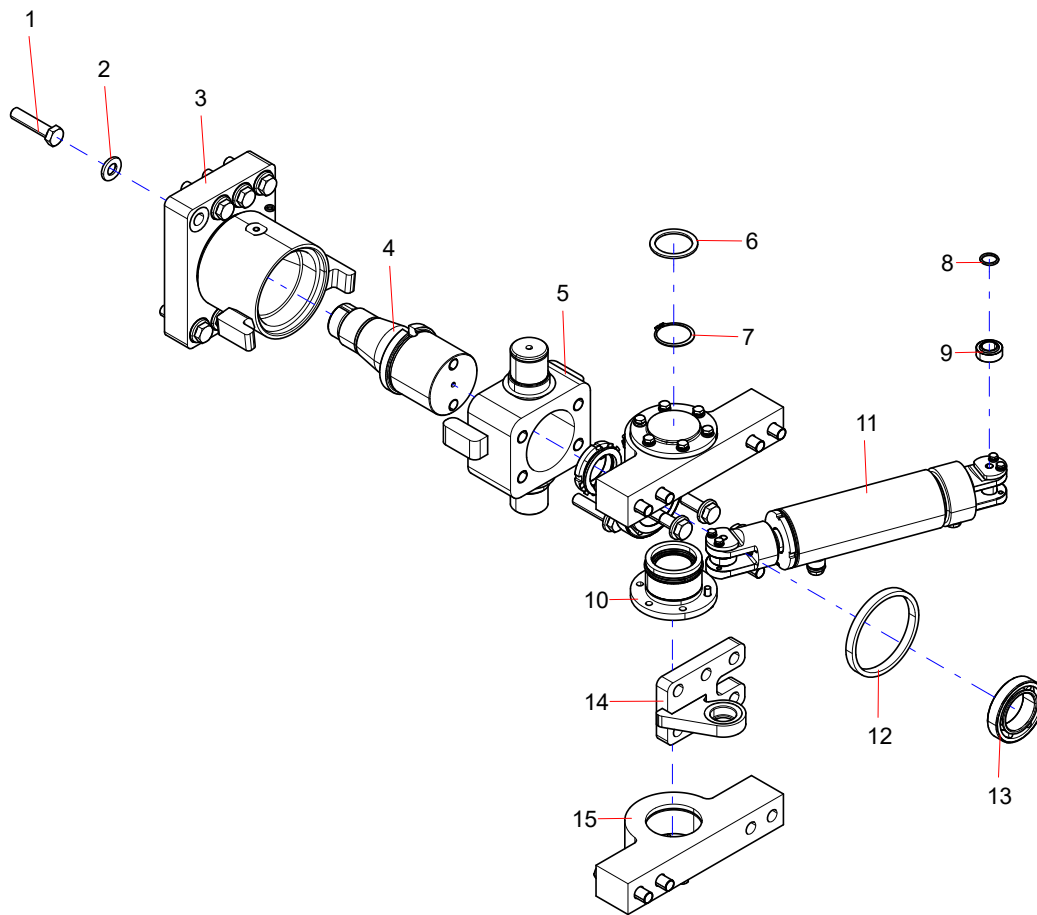


INDEX	PART NO.	DESCRIPTION	QTY	SEE PAGE
1	YLJ004573329	Center articulation frame	1	2-2
2	YLJ004574697	Front drum assembly	1	3-2
3	YLJ004592371	Anti-tip bracket	1	4-2
4	YLJ004595236	Rear frame AS	1	5-2
5	YLJ004596619	Front frame AS	1	6-2
6	YLJ004823031	Control platform assembly	1	7-2
7	YLJ004842109	Engine system	1	8-2
8	YLJ004846454	wheel steel	1	9-2
10	YLJ004581950	Water spraying system	1	10-2
11	YLJ004595688	Hood assembly	1	11-2
12	YLJ004828198	Hydraulic basic diagram	1	12-2
13	YLJ004956325	Electrical system of roller	1	13-2

BLANK PAGE

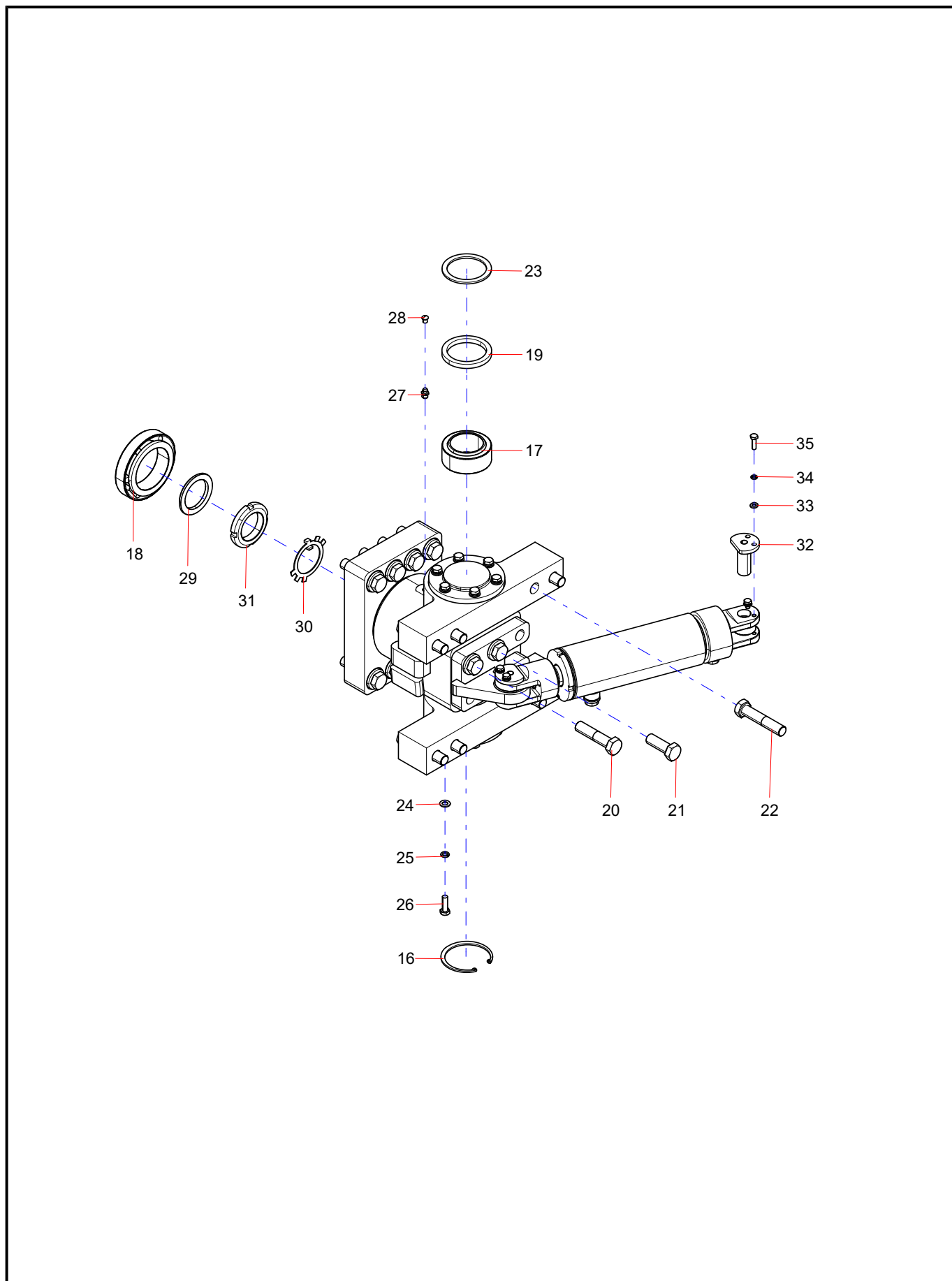
Group 2

Center articulation frame

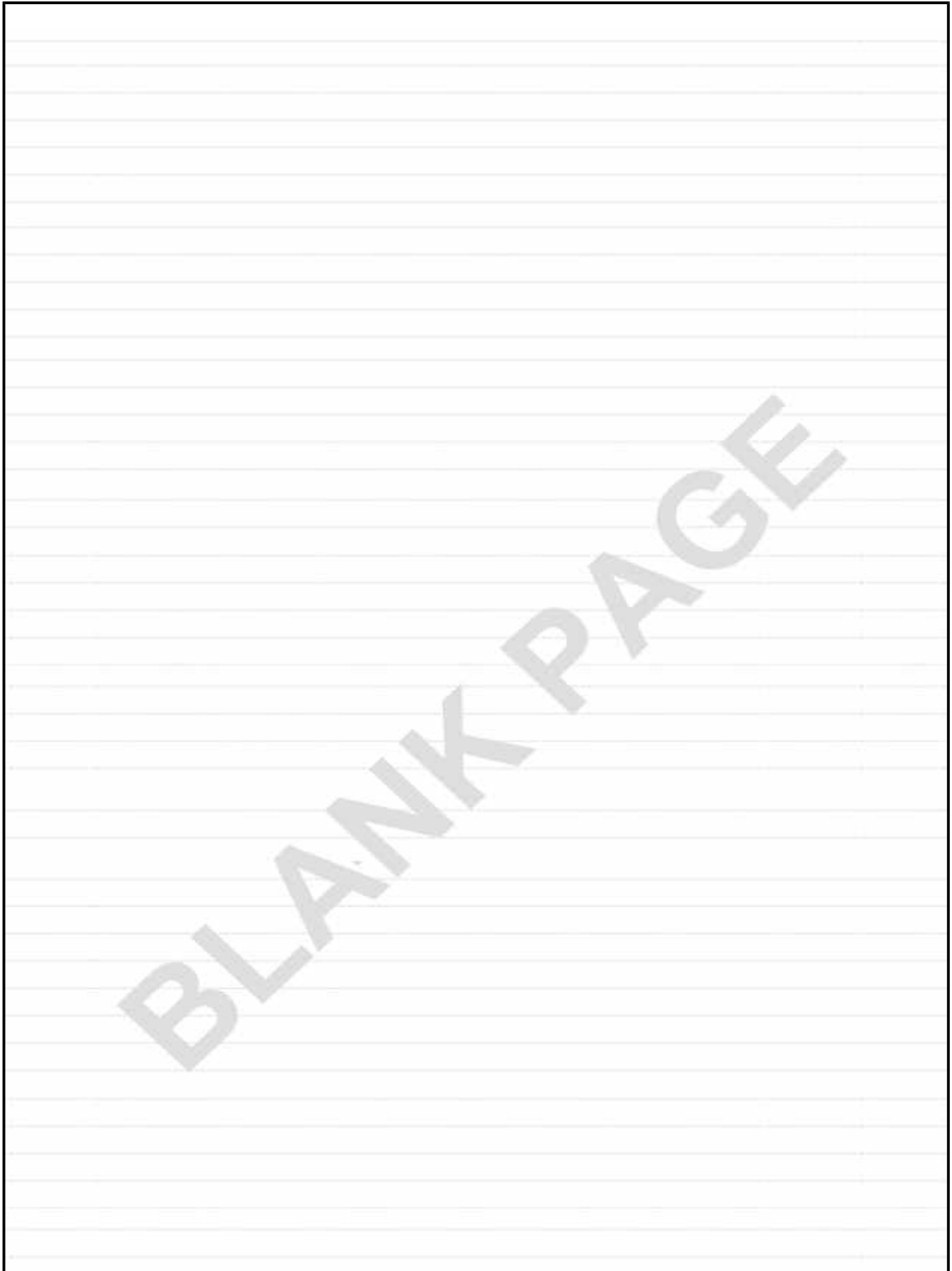




INDEX	PART NO.	DESCRIPTION	QTY	SEE PAGE
1	A210111000291	Bolt	8	
2	A210491000118	Washer	22	
3	12807994	Seat welding	1	
4	13895511	Shaft	1	
5	12741112	Articulation frame welding	1	
6	11600622	Support ring	1	
7	A210414000097	Retaining ring	1	
8	11600612	Washer	4	
9	A210612000019	Joint Bearing	2	
10	11600610	End cover	2	
11	11423858	Steering cylinder	1	
12	11600619	Dust-proof ring	1	
13	A210604000044	Rolling bearing	1	
14	YLJ004572304	Connecting plate	1	
15	11600617	Cushion block	2	



INDEX	PART NO.	DESCRIPTION	QTY	SEE PAGE
16	A210416000034	Retainer Ring	2	
17	A210612000013	Joint Bearing	2	
18	A210604002238	Rolling bearing	1	
19	11600620	Dust-proof ring	2	
20	A210110000281	Bolt	4	
21	A210111000106	Bolt	2	
22	A210110000272	Bolt	8	
23	11600621	Support ring	4	
24	A210405000007	Washer	12	
25	A210401000017	Washer	12	
26	A210111000090	Bolt	12	
27	A210804000001	Oil Cup	1	
28	A290000001564	Nozzle Protective Cap	1	
29	13895517	Gascket	1	
30	A210412000006	Washer	1	
31	A210304000013	Nut	1	
32	YLJ004697858	Pin	2	
33	A210405000006	Washer	4	
34	A210401000016	Washer	4	
35	A210111000080	Bolt	4	



This as a preview PDF file from [best-manuals.com](https://best-manuals.com)



Download full PDF manual at [best-manuals.com](https://best-manuals.com)