

304J 4WD LOADER



JOHN DEERE

PARTS CATALOG

304J 4WD LOADER

PC9371 (Feb-09) English

Worldwide Construction and Forestry Division

Worldwide Edition
Litho in U.S.A. (Revised)
COPYRIGHT © 2009
DEERE & COMPANY
Moline, Illinois
All rights reserved

INTRODUCTION AND CUSTOMER INFORMATION

T204403A -UN-22OCT04



*LEFT-HAND SIDE VIEW OF JOHN DEERE 304J SERIES LOADER
(MANUFACTURED 2004-)*

TO THE CUSTOMER

THE PART NUMBERS IN THIS PARTS CATALOG WERE CORRECT AT THE TIME YOUR CATALOG WAS PUBLISHED. IT IS OUR POLICY TO CONSTANTLY IMPROVE OUR MACHINES AND THEREFORE, PART NUMBERS MAY CHANGE. WHEN ORDERING PARTS, VERIFY PART NUMBERS THROUGH YOUR DEALER.

(SPECIFICATIONS AND DESIGN SUBJECT TO CHANGE WITHOUT NOTICE)

SERIAL NUMBER LOCATION

THE 304J HAS TWO SERIAL NUMBER PLATES: ONE FOR THE PRODUCT IDENTIFICATION AND ONE FOR THE ENGINE.

THE PRODUCT IDENTIFICATION NUMBER PLATE IS LOCATED ON THE LEFT-HAND SIDE OF THE FRONT LOADER FRAME.

THE ENGINE SERIAL NUMBER PLATE IS LOCATED ON THE RIGHT-HAND SIDE OF THE CYLINDER BLOCK.

LEFT SIDE AND RIGHT SIDE, FRONT AND REAR OF THE LOADER ARE VIEWED BY FACING IN THE DIRECTION OF LOADER FORWARD TRAVEL.

WHENEVER SERIAL NUMBERS ARE REQUIRED ON WARRANTY CLAIMS OR CORRESPONDENCE PERTAINING TO THIS PRODUCT, IT IS EXTREMELY IMPORTANT THAT ALL CHARACTERS BE FURNISHED. THIS POINT CANNOT BE OVEREMPHASIZED.

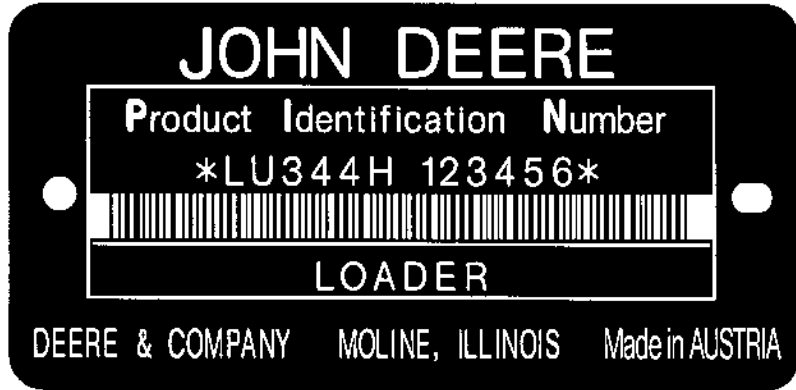
000I-3

304J 4WD LOADER

PRODUCT IDENTIFICATION NUMBER

TP56480

-UN-08APR98



TP56480

1. DESIGNATES LOADER MANUFACTURER
2. DESIGNATES LOADER MODEL
3. DESIGNATES LOADER CONFIGURATION
4. DESIGNATES LOADER SERIAL NUMBER
5. DESIGNATES UNIT TYPE

LU - LIEBHERR
304J
X
123456
LOADER

ENGINE SERIAL NUMBER PLATE

RGP3513 -UN-01JAN94



RGP3513

FIRST LINE

PE - JOHN DEERE TORREON

5

030 (3.0 LITERS)

T (TURBOCHARGED DEISEL)

T - JOHN DEERE DUBUQUE WORKS

XXXXXX

SECOND LINE

5030TT003

DEFINES

DESIGNATES ENGINE MANUFACTURER

DESIGNATES NUMBER OF CYLINDERS

DESIGNATES LITER DISPLACEMENT

DESIGNATES TYPE OF AIR INTAKE SYSTEM

DESIGNATES USER FACTORY

DESIGNATES ENGINE SERIAL NUMBER

APPLICATION

304J 4WD LOADER

SERIAL NUMBER LISTING INFORMATION

SERIAL NUMBER INFORMATION IS LISTED TO SHOW ON WHICH MACHINES EACH PART CAN BE USED; FOR EXAMPLE:

- THE PART CAN BE USED ON ALL MACHINES.
- 000000- THE PART CAN BE USED ON ALL MACHINES BEGINNING WITH THE SERIAL NUMBER LISTED.
- 000000 THE PART CAN BE USED ON ALL MACHINES UP TO AND INCLUDING THE SERIAL NUMBER LISTED.
- 000000-000000 THE PART CAN BE USED ON ALL MACHINES BETWEEN AND INCLUDING THE SERIAL NUMBERS LISTED.

WHEN XXXXXX'S ARE LISTED IN PLACE OF A SERIAL NUMBER, A SERIAL NUMBER CHANGE WAS MADE BUT THE EXACT SERIAL NUMBER WAS NOT AVAILABLE WHEN THE CATALOG WAS PRODUCED.

DIRECTION ARROW

ARROWS ARE USED WITH ILLUSTRATIONS TO INDICATE THE FRONT OF THE UNIT. "RIGHT-HAND" AND "LEFT-HAND" SIDES OF THE LOADER OR TRACTOR PARTS ARE DETERMINED BY FACING IN THE DIRECTION OF MACHINE FORWARD TRAVEL

EXCEPTION: FOR ALL BACKHOE PARTS, "RIGHT-HAND" AND "LEFT-HAND" SIDES, "FRONT" AND "REAR" ARE DETERMINED WHEN SEATED FOR BACKHOE OPERATION.

BOX-ENCLOSED ILLUSTRATIONS

A KEY NUMBER, SHOWN IN THE PARTS LIST, IS ASSIGNED TO A BOX ENCLOSING ALL PARTS SOLD AS A SERVICE ASSEMBLY.

COMPLETE GOODS LISTINGS

COMPLETE GOODS ARE LISTED IN THE REMARKS COLUMN. ORDER SEPARATELY. DO NOT INCLUDE ON REPLACEMENT PARTS ORDER.

SI UNITS OF MEASURE

METRIC DIMENSIONS ARE GIVEN, WHERE APPLICABLE, THROUGHOUT THIS PARTS CATALOG.

CHANGE INDICATOR LINE

CHANGES AFFECTING THE ORDERING OF PARTS ARE IDENTIFIED BY VERTICAL LINES MARKED IN THE LEFT-HAND MARGIN OF REVISED PARTS LISTING IMAGES. A LINE IS ALSO AT THE LEFT-HAND EDGE OF THE SAME PART NUMBER IN THE NUMERICAL INDEX TO SHOW THE LOCATION OF REVISED INFORMATION.

REMARKS AND ABBREVIATIONS

THE FOLLOWING REMARKS AND ABBREVIATIONS MAY APPEAR THROUGHOUT THE PARTS CATALOG. REFER TO THE FOLLOWING CHART FOR TRANSLATIONS TO LANGUAGES OTHER THAN ENGLISH.

REMARKS AND ABBREVIATIONS

TX1039342 -UN-02APR08

PHRASE	ENGLISH	FRANCAIS	DEUTSCH	ITALIANO	ESPAÑOL	SVENSKA
ALSO ORDER, ORD W/	Also Order	Commander aussi	Ebenso bestellen	Ordinare anche	Pedir también	Beställ även
AMP	Amere	Ampère	Ampere	Ampere	Amperio	Ampere
APPL, APPL ONLY	This application only	Uniquement pour cette utilisation	Nur für diese Anwendung	Solo per questa applicazione	Solo para este propósito	Endast för denna användning
AR	As required	Selon le besoin	Nach Bedarf	Secondo necessità	Según necesidad	Vid behov
ASSY	Complete assembly	Ensemble complet	Kompl.-Zusammenbau	Gruppo completo	Montaja completo	Komplett montering
CONVENIENCE ASSY, CA	Convenience assembly	Ensemble convenance	Komfort-Zusammenbau	Montaggio pratico	Mataje de conveniencia	Lämplig montering
CCW	Counter-clockwise	Sens anti-horaire	Gegen Uhrzeigersinn	Senso antiorario	A la izquierda	Moturs
COMPLETE	Complete	Complet	Vollständig	Completo	Mercanías Completas	Komplett Varor
COMPLETE GOODS	Complete goods	Compléter marchandises	Vollst. Waren	Merci complete	Mercancías completas	Komplett varor
BOAC	Bolt-on cutting edge	Tranchant Boulonne	Anschraubbare schar	Bordo di taglio imbullonato	Filo fijado con pernos	Fast bultad skaeregg
CTL, CUT TO LENGTH	Cut to length	Couper à la longueur	Auf Länge zurechtschneiden	Tagliare alla lunghezza	Corte a la longitud	Skära till längd
CW	Clockwise	Sens horaire	Im Uhrzeigersinn	In senso orario	A la derecha	Medurs
ENGINE	Engine	Moteur	Motor	Motore	Motor	Motor
FOR	For	Pour	Für	Per	Para	För
FRONT	Front	Avant	Vorn	Anteriore	Frente	Fram
GAS	Gasoline	Essence	Benzin	Benzina	Gasolina	Bensin
HP	Horsepower	Puissance en cv	Leistung	Potenza	Potencia	Hästkraft
HFWD	Hydraulic Front-wheel Drive	Traction Avant Hydraulique	Hydraulischer Vorderradantrieb	Trazione Anteriore Idraulica	Traccion Delantera Hidraulica	Hydraulisk Framhjulsdraft
HS, HEAD MARKED	High Strength, head marked	Haute résistance, tête marquée	Hochfest, vorn gekennzeichnet	Contrassegnato in testa, ad alta resistenza	Alta fuerza, marca en cabeza	Hög stryka, huvudmärkt
ID	Inside diameter	Diamètre intérieur	Innendurchmesser	Diametro interno	Diá. Interior	Innerdiameter
INCH	Inch	Pouce	In.	Pollice	Pulg.	Tum
INCL KEYS	Includes keys...	Comprend les positions...	Einschließlich Schlüssel...	Include le chiavette...	Incluye posiciones...	Inklusive nycklar...
INCL, INCLUDES	Includes...	Comprend...	Enthält...	Include...	Incluye...	Inkluderar...
INCLUDES PARTS/ ITEMS MARKED	Includes parts/items marked...	Comprend les pièces/articles marqués...	Enthält gekennzeichnete Teile/Pos. ...	Include i pezzi e gli elementi contrassegnati...	Incluye piezas marcadas...	Inkluderar markerade delar/artiklar
INNER	Inner	Intérieur	Innerer	Interno	Interno	Inre, invändig
KIT	Kit	Kit	Kit	Kit	Juego	Sats
L	Number of links	Nombre de maillons	Anzahl der Glieder	Numero di maglie	Nº de eslabones	Antal länkar
LGTH	Length	Longueur	Länge	Lunghezza	Longitud	Längd
LGP	Low Ground Pressure	Faible Pression Au Sol	Niederer Bodendruck	Bassa Pressione Sul Suelo	Baja Presion Sobre El Suelo	Lågt Marktryck
LH	Left-hand	Guache	Links	Sinistra	Izquierda	Vänster
LT	Long Track	Chenille Longue	Mit Langem Lautwerk	Cingolo Lungo	Cadena Largo	Laangt Larvband
LOW, LOWER	Lower	Inférieur	Unterer	Inferiore	Inferior	Nedre
MAKE FROM, MF MARKED	Make from Marked	Faireavec Marqué	Herstellen von Markiert	Fabbricare da Contrassegnato	Hacer de Marcado	Tillverka av Märkt

TX1039342

REMARKS AND ABBREVIATIONS

TX1034776

-UN-04APR08

PHRASE	ENGLISH	FRANCAIS	DEUTSCH	ITALIANO	ESPAÑOL	SVENSKA
MATCHED SET	Matched set	Ensemble assorti	Passender Satz	Set abbinato	Sistema emparejado	Anpassad sats
MFWD	Mechanical Front-Wheel Drive	Pont Avant	Allradantrieb	Ruota Motrice Meccanica Anteriore	Traccion Delantera Mecanica	Mekanisk Framhjulsdrift
NA, NOT USED THIS APPL	Not used in this application	Ne sert pas pour cette application	In dieser Anwendung nicht benutzt	Non usato in questa applicazione	No se usa en esta aplicación	Ej använd i detta sammanhang
NLA	No longer available	Epuisé	Nicht mehr lieferbar	Non più disponibile	Descontinuado	Ej längre tillgänglig
NSEP	Not supplied separately	Non livré séparément	Nicht einzeln lieferbar	Non fornito separatamente	No se suministra por separado	Kan ej erhållas separat
OD	Outside diameter	Diamètre extérieur	Außendurchmesser	Diametro esterno	Diá. exterior	Ytterdiameter
OPTIONAL	Optional	En option	Wahlweise	Opzionale	Opcional	Valfri
OR	Or	Ou	Oder	Oppure	O	Eller
ORD, ORDER	Order	Commander	Bestellen	Ordinare	Pídase	Order
OS	Oversize	Sur-dimension	Übergröße	Maggiorato	Sobretamaño	Överdimension
OUTER	Outer	Externe	Äußerer	Esterno	Externo	Yttre, utvändigt
PKG, PACKG	Package, Packet of	Emballage, paquet de	Verpackung, verpackt mit	In confezione da	Paquete de	I sats; paket
PTO	Power Take Off	Prise De Force	Zapfwelle	Presa Di Forza	Toma De Fuerza	Kraftuttag
RATIO	Ratio	Rapport	Übersetzungsverhältnis	Rapporto	índice	Förhållande
REAR	Rear	Arrière	Hinten	Posteriore	Trasero	Bak; bakre
REMAN	Remanufactured	Echange Std	Generalüberholt	Refatto	Refabricador por	Ronoverad
REPL	Replaces	Remplace	Ersetzt	Sostituisce	Sustituye	Ersätter
RH	Right-hand	Droit	Rechts	Destra	Derecha	Höger
SN	Serial number	Numéro de série	Seriennummer	Numero di serie	Nº de serie	Seriennummer
STD	Standard	Standard	Standard	Standard	Normal	Standard
SUB	Replaced by	Remplacé par	Ersetzt durch	Sostituito da	Substituido por	Ersatt med
SUB COMPONENTS	Substitute components (of the kit or assy)	Substituer les composants (du kit ou de l'ensemble)	Komponenten ersetzen (des Kits oder der Baugruppe)	Sostituire i componenti (del kito del gruppo)	Sustituir los componentes	Ersätta komponenterna (i satsen eller monteringen)
SUB FOR	Substitutes for	Remplace	Ersatz für	Sostituisce	Sustitución para	Ersätter
TEETH, Z	Number of gear teeth	Nombre de dents d'engrenages	Zahl der Zahnradzähne	Numero di denti dell'ingranaggio	Nº de dientes de engranaje	Antal redskapständer
TK	Thickness	Épaisseur	Stärke	Spessore	Espesor	Tjocklek
UP, UPPER	Upper	Supérieur	Oberer	Superiore	Superior	Övre
US	Undersize	Sous-dimension	Untergröße	Minorato	Subtamaño	Underdimension
USE WITH	Use with	À utiliser avec	Verwenden mit	Usare con	Usar con	Använd med
USE UNTIL EXHAUSTED	Use until exhausted	Utilisation jusqu'à épuisé	Verwenden, bis erschöpft	Usare fino all'esaurimento	Usar hasta agotar	Använda till uttömd
W/	With	Avec	Mit	Con	Con	Med; inklusive
W/O	Without	Sans	Ohne	Senza	Sin	Utän; exklusive
WHOLE GOODS	Whole goods	Marchandises entières	Vollständige Waren	Merci intere	Mercancas enteras	Hela varor
XLT	Extra Long Track	Chenille Extra Longue	Mit Extra Langem Laufwerk	Cingolo Extra Lungo	Cadena Extra Larga	Extra Laangt Larvband
VEC	Vehicle Electronic Controller	Contrôleur Electronique Du Vehicule	Elektronisches Steuergeraet Des Fahrzeugs	Unità Di Comando Elettronica Del Veicolo	Unidad de Control Electronico del Vehiculo	Elektronisk Fordonsstyrenhet
VLC	Vehicle Load Center	Coffret De Repartition Du Vehicule	Verteilerstation Des Fahrzeugs	Centro Di Carico Del Veicolo	Centro De Cargas Del Vehiculo	Fordonets Elcentral
WT	Wide Track	Chenille Large	Breitspur	Cingolo Largo	Huella Ancha	Bredspårig

TX1034776

ALPHABETICAL INDEX

PAGE

PAGE

A

A/C COMPRESSOR DRIVE BELT	1832-2
A/C CONDENSOR.....	1830-2
A/C CONTROLS	1832-6
A/C DRIER RECEIVER	1832-4
A/C FILTER DRIER.....	1832-4
A/C FREEZE CONTROL SWITCH	1830-2
A/C REFRIGERANT HOSES.....	1830-2
A/C REFRIGERANT HOSES.....	1832-4
A/C SWITCH.....	1830-2
A/C SWITCH, ROCKER.....	1832-4
A/C THERMOCOUPLER.....	1830-2
A/C VAPOR CONDENSOR	1830-2
ABSORBER, OPERATOR SEAT SHOCK.....	1821-8
ACCUMULATOR, PARK BRAKE	1100-2
ACCUMULATOR, PILOT.....	2163-2
ACCUMULATOR, PNEUMATIC (RIDE CONTROL).....	3162-2
ADAPTER, COUPLER (SERIAL NO. -XXXXXX)	3104-2
ADAPTER, COUPLER (SERIAL NO. XXXXXX-)	3104-4
ADAPTER, HEATER (9701) (5030TT003).....	0505-10
ADAPTER, OIL FILTER HOUSING (5030TT003).....	0419-2
AIR CLEANER	0521-4
AIR CLEANER HOSES	0521-2
AIR CONDITIONER COMPRESSOR DRIVE BELT	1832-2
AIR CONDITIONER COMPRESSOR PULLEY	1832-2
AIR CONDITIONER CONDENSOR	1830-2
AIR CONDITIONER DRIER RECEIVER	1832-4
AIR CONDITIONER FILTER DRIER.....	1832-4
AIR CONDITIONER FREEZE CONTROL SWITCH.....	1830-2
AIR CONDITIONER REFRIGERANT HOSES	1830-2
AIR CONDITIONER REFRIGERANT HOSES	1832-4
AIR CONDITIONER SWITCH.....	1830-2
AIR CONDITIONER SWITCH, ROCKER	1832-4
AIR CONDITIONER VAPOR CONDENSOR	1830-2
AIR CONDITIONING COMPRESSOR AND MOUNTING BRACKETS WITH PULLEY AND DRIVE BELT	1832-2
AIR CONDITIONING FILTER DRIER AND PUMP	1832-4
AIR CONDITIONING HOSES AND VENTS	1832-8
AIR CONDITIONER THERMOCOUPLER.....	1830-2
AIR CONTROLLER (HEATER)	1831-2
AIR DUCT	1830-4
AIR FILTERS.....	0521-4
AIR HOSE.....	1830-4
AIR INLET, ENGINE	0414-2
AIR INTAKE STACK (AIR CLEANER).....	0521-2
AIR PRE CLEANER.....	0522-2
ALARM, AUDIBLE WARNING (FUSE AND RELAY PANEL)	1676-2
ALARM, BACK-UP	2004-2
ALTERNATOR.....	1672-2
ALTERNATOR BRACKET	0423-2
AM/FM/WB, RADIO	2001-2
ANEROID (ESN -127765).....	0413-8
ANEROID (ESN 127766-).....	0413-8
ANEROID AND LINE	0413-8
ANTENNA, RADIO	2001-2
ARM ASSEMBLY, ROCKER	0402-4
ARM, WINDSHIELD WIPER.....	1814-2
ARMREST	1811-2
ARTICULATION CYLINDER	0965-2
ASHTRAY	1811-2
AUDIBLE WARNING ALARM (FUSE AND RELAY PANEL)	1676-2
AUXILIARY CONTROL LEVER DETENT KIT	3115-2

AUXILIARY HYDRAULIC CONTROLS	3163-8
AUXILIARY HYDRAULICS, THIRD FUNCTION	3163-10
AUXILIARY PILOT CONTROL VALVE	3160-12
AUXILIARY PILOT CONTROL VALVE ASSEMBLY	3160-6
AXLE HOUSING, REAR, REDUCTION GEAR BOX	0250-10
AXLE MOUNTING, FRONT	0242-2
AXLE, REAR AND MOUNTING HARDWARE	0242-4

B

BACK-UP ALARM.....	2004-2
BACKUP RING, BOOM AND BUCKET CYL. ROD GUIDE (SN -920878).....	3165-12
BALL COCK VALVE, LOADER BOOM HYDRAULIC LINES AND FITTINGS	3163-6
BATTERY AND HARDWARE	1671-2
BATTERY AND HARDWARE (OPTIONAL)	1671-4
BATTERY CABLE	1674-2
BATTERY CABLES	1671-2
BATTERY CLAMPS	1674-2
BATTERY SWITCH	1674-4
BEACON LIGHT.....	2004-4
BEARING CAPS, MAIN	0404-2
BEARING FORK, ARTICULATION JOINT PINS AND BUSHINGS	1743-4
BEARING KIT, CONNECTING ROD (9901) (5030TT003).....	0401-6
BEARING KIT, CRANKSHAFT MAIN (9901) (5030TT003).....	0401-10
BEARING KIT, CRANKSHAFT MAIN, UNDERSIZED (9901) (5030TT003)	0401-8
BEARING, CONNECTING ROD (ESN -127765).....	0403-2
BEARING, CONNECTING ROD (ESN 127766-)	0403-4
BEARING, FRONT PLANETARY GEAR DRIVE	0250-6
BEARING, MAIN.....	0401-2
BEARING, PISTON ROD (STEERING CYLINDER) (SN -020606).....	0965-12
BEARING, REAR AXLE DIFFERENTIAL ASSY, RING AND PINION.....	0250-12
BEARINGS, POWER TAKE-OFF	0250-16
BELLCRANK, LOADER BOOM	3115-6
BELLCRANK, STEERING COLUMN ASSEMBLY	0920-4
BELLCRANK, STEERING COLUMN ASSEMBLY	0920-6
BELT GUARD	0400-2
BELT GUARD, BRACKETS AND HARDWARE	0400-2
BELT TENSIONER, ENGINE.....	0429-10
BELT, DRIVE, COMPRESSOR, A/C	1832-2
BELT, FAN	0429-6
BELT, OPERATOR SEAT	1821-2
BEVEL GEAR DRIVE, REAR AXLE DIFFERENTIAL ASSY, RING AND PINION	0250-12
BEVEL GEAR, FRONT AXLE DIFFERENTIAL HOUSING.....	0250-2
BLADES, WINDSHIELD WIPER.....	1814-2
BLEED VALVE, FRONT AXLE HOUSING	0250-8
BLEED VALVE, FRONT PLANETARY GEAR DRIVE	0250-6
BLEED VALVE, POWER TAKE-OFF.....	0250-16
BLEED VALVE, REAR AXLE REDUCTION GEAR BOX	0250-10
BLOCK CLAMP (RETURN TO DIG)	3166-2
BLOCK FITTINGS, CYLINDER.....	0404-2
BLOCK, CYLINDER.....	0404-2
BLOCK, LOADER CONTROL VALVE (MAIN W/4TH FUNCTION)	2163-8
BLOCK, LOADER CONTROL VALVE, MAIN	2163-6

ALPHABETICAL INDEX - CONTINUED

	PAGE		PAGE
BLOCK, PILLOW, BOOM LIFT CYLINDER (SN -XXXXXX)	3165-2	BUCKET RETURN AND SWITCH (RETURN-TO-DIG)	3166-2
BLOCK, PILLOW, BOOM LIFT CYLINDER (SN XXXXXX-)	3165-4	BUCKET TILT CYLINDER (SN -920878)	3165-6
BLOCK, Z CONNECTOR QUICK RELEASE FOURTH FUNCTION (2 WAY)	2163-10	BUCKET TILT CYLINDER (SN 920879-)	3165-8
BLOCK, Z CONNECTOR QUICK RELEASE (2 WAY)	2163-12	BUCKET WITH BOLT-ON CUTTING EDGE (0.8/1.1 CUBIC METER)	3102-2
BOARD, CIRCUIT	1676-6	BUCKET WITH BOLT-ON CUTTING EDGE (1.6/2.0 CUBIC METER)	3102-4
BOARD, FUSE PANEL AND RELAY	1676-8	BUCKETS, BOLT-ON CUTTING EDGE (0.8/1.1 CUBIC METER)	3102-2
BOLTS, WHEEL	0250-14	BUCKETS, BOLT-ON CUTTING EDGE (1.6/2.0 CUBIC METER)	3102-4
BOOM AND BUCKET CYLINDER PISTON (SN -920878)	3165-10	BULB, FRONT WORKLIGHTS AND INTERIOR LIGHT	1673-6
BOOM AND BUCKET CYLINDER ROD GUIDE (SN -920878)	3165-12	BULB, HEADLIGHT (SN. -814326)	1673-2
BOOM HYDRAULIC LINES FOR LIFT CYLINDER, LOADER	3163-2	BULB, HEADLIGHT (SN. 814327-)	1673-4
BOOM HYDRAULIC LINES FOR TILT CYLINDER, LOADER	3163-4	BULB, REAR WORKLIGHTS	1673-8
BOOM KICKOUT SWITCH	1676-4	BULB, TAILLIGHT	1673-1
BOOM LIFT CYLINDER (SN -XXXXXX)	3165-2	BUMPER, CYLINDER LOCK	3115-4
BOOM LIFT CYLINDER (SN XXXXXX-)	3165-4	BUMPER, CAB DOOR	1810-6
BOOM LINK WITH BUSHINGS, LOADER	3115-10	BUMPERS, CAB DOOR	1810-6
BOOM, LOADER	3115-6	BUSHING, CAMSHAFT	0404-2
BOOT, AIR HOSE, NOZZLE AND FILTER	1830-4	BUSHINGS, FRAME ARTICULATION, JOINT	1743-4
BOOT, AUXILIARY PILOT CONTROL VALVE	3160-12	BUSHINGS, LOADER BOOM	3115-8
BOOT, ENGINE SPEED CONTROL PEDAL	0515-4	BUSHINGS, LOADER BOOM HYDRAULIC LINES AND FITTINGS	3163-6
BOOT, PILOT CONTROL	3160-2	BUSHINGS, LOADER BOOM LINK	3115-10
BOOT, STEERING COLUMN	0920-2	BUTTON, PUSH (OPERATOR SEAT SUSPENSION)	1821-8
BOX, STEERING CONTROL, LOADER CONTROL	3160-2		
BRACKET (FUSE AND RELAY PANEL)	1676-2	C	
BRACKET (HEATER)	1831-4	CAB AND COMPONENTS	1810-4
BRACKET (RETURN-TO-DIG)	3166-2	CAB CONSOLE AND INSULATING MAT	1812-4
BRACKET, ALTERNATOR	0423-2	CAB DOOR BUMPER	1810-6
BRACKET, BACK-UP ALARM	2004-2	CAB DOOR MOUNTING PINS	1810-6
BRACKET, BELT GUARD	0400-2	CAB DOOR, LEFT HAND	1813-2
BRACKET, CAB CONSOLE MOUNTING	1812-2	CAB DOOR, RIGHT HAND	1813-4
BRACKET, CAB TRIM PANELS AND HEADLINER	1810-8	CAB FRONT WINDSHIELD GUARD	1810-10
BRACKET, ELECTRICAL SYSTEM	1674-4	CAB HEADLINER	1810-8
BRACKET, FRONT FENDERS	1927-2	CAB MOUNTING	1810-2
BRACKET, HEADLIGHTS (SN. -814326)	1673-2	CAB PANELS (CAB CONSOLE AND INSULATING MAT)	1812-4
BRACKET, HEADLIGHTS (SN. 814327-)	1673-4	CAB PLATFORM	1812-2
BRACKET, HYDRAULIC OIL RESERVOIR	2164-2	CAB TRIM PANELS	1810-8
BRACKET, REAR AXLE AND MOUNTING HARDWARE	0242-4	CAB WINDOWPANELS/GLASS	1813-6
BRACKET, REAR WORKLIGHTS	1673-8	CABLE, BATTERY	1674-2
BRACKET, SLOW MOVING VEHICLE	1320-2	CABLE, STEERING COLUMN ASSEMBLY	0920-4
BRACKET, TANK, WIPER FLUID	1814-2	CABLE, STEERING COLUMN ASSEMBLY	0920-6
BRACKETS, A/C COMPRESSOR	1832-2	CABLE, TEST	1675-2
BRACKETS, AIR CLEANER	0521-2	CABLE, ENGINE SPEED CONTROL	0515-2
BRACKETS, STEERING ROD LINKS	0965-4	CABLES, BATTERY	1671-2
BRAKE ASSEMBLY, FRONT AXLE	0250-2	CABLES, BATTERY (OPTIONAL)	1671-4
BRAKE CYLINDER, MASTER	1062-6	CAM FOLLOWER	0402-4
BRAKE DISC	1111-2	CAMSHAFT	0404-2
BRAKE DRUM, FRONT AXLE DIFFERENTIAL HOUSING, BEVEL GEAR AND DISK	0250-2	CAMSHAFT KIT (9901) (5030TT003)	0404-10
BRAKE HYDRAULIC HOSES	1063-2	CAMSHAFT KIT (9901) (5030TT003)	0452-6
BRAKE LINES, FITTINGS AND RESERVOIR	1063-2	CAP, BEARING (FRAME ARTICULATION JOINT PINS AND BUSHINGS)	1743-4
BRAKE PEDAL ASSEMBLY	1062-4	CAP, CAB AND COMPONENTS	1810-4
BRAKE PEDAL WITH MOUNTING HARDWARE	1062-2	CAP, ENGINE OIL FILLER	0402-2
BRAKE PISTON	1111-2	CAP, FILLER, HYDRAULIC OIL RESERVOIR	2164-2
BRAKE PRESSURE SWITCH	1062-2	CAP, FUEL TANK	0560-2
BRAKE, DRUM	0250-4	CAP, RAIN (AIR CLEANER)	0521-2
BRAKE, PARK	0250-2	CAP, STEERING CYLINDER	0965-2
BUCKET CYLINDER AND HOSES	3163-4	CAP, WINDSHIELD WIPER	1814-2
BUCKET CYLINDER AND LINES	3163-4	CAP, RADIATOR	0510-4

ALPHABETICAL INDEX - CONTINUED

	PAGE		PAGE
CAPS, MAIN BEARING	0404-2	CONTROL UNIT, STEERING, LOADER CONTROL	3160-2
CASSETTE, RADIO	2001-2	CONTROL VALVE ASSEMBLY, AUXILIARY PILOT	3160-6
CATALYTIC MUFFLER	0531-2	CONTROL VALVE ASSEMBLY, PILOT	3160-6
CAUTION LABELS	1322-2	CONTROL VALVE BLOCK	
CD, RADIO	2001-2	(MAIN W/4TH FUNCTION)	2163-8
CHAIN, CYLINDER LOCK	3115-4	CONTROL VALVE BLOCK, MAIN	2163-6
CHAIN, LINK (FRAME ARTICULATION LOCKING		CONTROL VALVE COILS AND PLUNGER, PILOT	3160-8
BAR)	1743-2	CONTROL VALVE HOSES AND FITTINGS, PILOT	2163-2
CHAIN, STEEL, FRAME ARTICULATION	1743-2	CONTROL VALVE SPOOLS, PILOT	3160-10
CHARGE PUMP	2161-12	CONTROL VALVE, AUXILIARY PILOT	3160-12
CHARGE PUMP WEAR PLATE	2161-10	CONTROL VALVE, DIRECTIONAL	2161-6
CHARGE RELIEF VALVE, NEUTRAL	2161-8	CONTROL VALVE, HYDROSTATIC	0361-4
CHECK VALVE, PILOT ACCUMULATOR	2163-2	CONTROL VALVE, MAIN	2163-4
CIRCUIT BOARD	1676-6	CONTROL VALVE, HYDROSTATIC MOTOR	
CIRCUIT BOARD, FUSE PANEL	1676-8	REGULATOR	0362-2
CLAMP (RETURN-TO-DIG)	3166-2	CONTROL, ENGINE SPEED	0515-2
CLAMP PLATE, HYDRAULIC OIL LINES	0363-2	CONTROLLER, AIR (HEATER)	1831-2
CLAMP, AIR INLET HOSE (ENGINE)	0414-2	COOLANT HEATER KIT, ENGINE	0505-4
CLAMP, EXHAUST SYSTEM AND MUFFLER	0531-2	COOLANT HEATER KIT, ENGINE	0505-8
CLAMP, FUSE AND RELAY PANEL	1676-2	COOLANT TEMPERATURE SENSOR (OIL COOLER)	0510-2
CLAMP, HALF (Z CONNECTOR QUICK RELEASE,		COOLANT TEMPERATURE SENSOR,	
FOURTH FUNCTION (2 WAY))	2163-10	HYDRAULIC OIL RESERVOIR	2164-2
CLAMP, HALF, Z CONNECTOR QUICK RELEASE		COOLER, OIL (5030TT003)	0419-2
(2 WAY)	2163-12	COOLER, HYDRAULIC OIL	0510-4
CLAMP, HOSE, WIPERFLUID TANK	1814-2	COOLING FAN PUMP AND MOTOR	0510-10
CLAMP, WORK POSITIONING, LOADER BOOM		COOLING KIT, ENGINE	
HYDRAULIC LINES AND FITTINGS	3163-6	(OIL COOLER/RADIATOR)	0510-2
CLAMPS, BATTERY	1674-2	COOLING SYSTEM HOSES AND FITTINGS	0363-1
CLAMPS, HYDRAULIC OIL LINES	0363-2	CORD, POWER, ENGINE COOLANT HEATER KIT	0505-4
CLAMPS, HYDRAULIC OIL LINES	0363-4	CORD, POWER, ENGINE COOLANT HEATER KIT	0505-8
CLAMPS, LIFT CYLINDER LOADER BOOM		CORE (HEATER)	1831-2
HYDRAULIC LINES	3163-2	COUNTERWEIGHT, REAR	1749-2
CLAMPS, LOADER BOOM HYDRAULIC		COUPLER ADAPTER	
LINES AND FITTINGS	3163-6	(SERIAL NO. -XXXXXX)	3104-2
CLAMPS, LOADER FRAME HARDWARE	1743-6	COUPLER ADAPTER	
CLAMPS, WIRING HARNESS	1674-4	(SERIAL NO. XXXXXX-)	3104-4
CLEANER, AIR	0521-4	COUPLER PLUG, Z CONNECTOR QUICK RELEASE	
CLIP (HEATER)	1831-4	(2 WAY)	2163-12
CLUTCH DISK (HYDROSTATIC PUMP)	2161-4	COUPLER PLUG, Z CONNECTOR QUICK RELEASE,	
CLUTCH DISK, FRONT AXLE DIFFERENTIAL		FOURTH FUNCTION (2 WAY)	2163-10
HOUSING, BEVEL GEAR AND DISK	0250-2	COUPLER, WORKSITE PRO QUICK-TATCH	
COIL, PILOT CONTROL VALVE	3160-8	(SERIAL NO. -XXXXXX)	3104-2
COLUMN, STEERING	0920-2	COUPLER, WORKSITE PRO QUICK-TATCH	
COLUMN, STEERING ASSEMBLY	0920-4	(SERIAL NO. XXXXXX-)	3104-4
COLUMN, STEERING ASSEMBLY	0920-6	COUPLING, FRONT AXLE DIFFERENTIAL	
COMPRESSION SPRING, FORWARD/REVERSE		HOUSING, BEVEL GEAR AND DISK	0250-2
SOLENOID VALVE	0362-4	COUPLING, SPLINED (HYDROSTATIC PUMP)	2161-4
COMPRESSOR BRACKETS, A/C	1832-2	COVER KIT, TIMING GEAR (5030TT003)(9901)	0404-12
COMPRESSOR DRIVE BELT, A/C	1832-2	COVER PLATE, Z CONNECTOR QUICK RELEASE,	
COMPRESSOR, A/C	1832-2	FOURTH FUNCTION (2 WAY)	2163-10
CONDENSER, A/C	1830-2	COVER, A/C COMPRESSOR	1832-2
CONDENSER, VAPOR, A/C COMPRESSOR	1832-2	COVER, CAB TRIM PANELS AND HEADLINER	1810-8
CONNECTING ROD (ESN -127765)	0403-2	COVER, FRONT AXLE HOUSING	0250-8
CONNECTING ROD (ESN 127766-)	0403-4	COVER, FUSE CARRIER AND BATTERY CLAMPING	1674-2
CONNECTING ROD BEARING KIT (9901)		COVER, HYDRAULIC FILTER	2164-4
(5030TT003)	0401-6	COVER, INSTRUMENT PANEL SIDE CONSOLE	1676-4
CONNECTOR CAP, ELECTRICAL, STARTING AID	0505-2	COVER, LEFT HAND CAB DOOR	1813-2
CONSOLE SWITCHES, SIDE	1676-4	COVER, LOADER FRAME	3140-2
CONSOLE, CAB PLATFORM	1812-2	COVER, OPERATOR SEAT TRACK (SN -022620)	1821-4
CONSOLE, INSTRUMENT PANEL SIDE	1676-4	COVER, OPERATOR SEAT TRACK (SN 022621-)	1821-6
CONTROL LEVER DETENT KIT, AUXILIARY	3115-2	COVER, POWER TAKE-OFF	0250-16
CONTROL LEVER, LOADER	3160-2	COVER, RADIATOR/OIL COOLER SHROUD	0510-8
CONTROL PEDAL, ENGINE SPEED	0515-4	COVER, REAR AXLE HOUSING,	
CONTROL PRESSURE REGULATING VALVE,		REDUCTION GEAR BOX	0250-10
HYDROSTATIC PUMP	2161-6	COVER, ROCKER ARM	0402-2
CONTROL UNIT, ELECTRONIC		COVER, TIMING GEAR	0402-6
(FUSE AND RELAY PANEL)	1676-2	COVER, VALVE	0402-2

ALPHABETICAL INDEX - CONTINUED

	PAGE		PAGE
COVER, STEERING COLUMN	0920-2	DOOR, LEFT HAND CAB	1813-2
COVERS, MAIN FRAME AND FENDERS	1741-2	DOOR, RIGHT HAND CAB	1813-4
CRANKCASE VENT HOSE	0408-2	DRAIN HOSE, BULK	
CRANKSHAFT	0401-2	(CAB CONSOLE AND INSULATING MAT)	1812-4
CRANKSHAFT MAIN BEARING KIT (9901)		DRAIN PLUG (BRAKE)	1111-2
(5030TT003)	0401-10	DRAIN PLUG, FRONT AXLE HOUSING	0250-8
CRANKSHAFT MAIN BEARING KIT, UNDERSIZED		DRAIN PLUG, FRONT PLANETARY GEAR DRIVE	0250-6
(9901) (5030TT003)	0401-8	DRAIN PLUG, POWER TAKE OFF GEARS	0250-16
CRANKSHAFT PULLEY	0429-2	DRAIN VALVE, ENGINE OIL	0407-4
CRANKSHAFT REAR OIL SEAL AND HOUSING	0401-4	DRAIN VALVE, ENGINE OIL (ESN. -1238	
CRANKSHAFT THRUST WASHER KIT (9901)		38)	0407-2
(5030TT003)	0401-12	DRAIN VALVE, HYDRAULIC OIL RESERVOIR	2164-2
CURTAIN, SHADE (CAB AND COMPONENTS)	1810-4	DRIVE BELT, COMPRESSOR, A/C	1832-2
CUSHION, OPERATOR SEAT (SN -022620)	1821-4	DRIVE SHAFT, REAR	0225-2
CUSHION, OPERATOR SEAT (SN 022621-)	1821-6	DRIVE SHAFT, FRONT	0225-2
CUTTING EDGE, BOLT-ON		DRUM, BRAKE	0250-4
(0.8/1.1 CUBIC METER)	3102-2	DUCT, AIR	1830-4
CUTTING EDGE, BOLT-ON			
(1.6/2.0 CUBIC METER)	3102-4	E	
CYLINDER BLOCK & CAMSHAFT	0404-2	EDGE, CUTTING, BOLT-ON	
CYLINDER BLOCK FITTINGS	0404-2	(0.8/1.1 CUBIC METER)	3102-2
CYLINDER HEAD AND VALVES (5030TT003)	0409-2	EDGE, CUTTING, BOLT-ON	
CYLINDER HEAD BOLTS KIT (9901)		(1.6/2.0 CUBIC METER)	3102-4
(5030TT003)	0409-6	ELBOW, ENGINE VENTILATOR	0408-2
CYLINDER HEAD GASKET, OVERSIZED (9901)		ELECTRICAL CONNECTOR CAP, STARTING AID	0505-2
(5030TT003)	0409-4	ELECTRICAL CONNECTOR, HYDROSTATIC MOTOR	0361-2
CYLINDER HEAD GASKET, STD (5030TT003)	0409-2	ELECTRICAL CONNECTORS, RADIO/SPEAKER	2001-2
CYLINDER HOSE, BUCKET	3163-4	ELECTRICAL SYSTEM	1674-4
CYLINDER LOCK	3115-4	ELECTRONIC CONTROL UNIT	
CYLINDER, ARTICULATION	0965-2	(FUSE AND RELAY PANEL)	1676-2
CYLINDER, BOOM LIFT		ELEMENT, HYDRAULIC FILTER	2164-4
(SN -XXXXXX)	3165-2	EMBLEM, SLOW MOVING VEHICLE	1320-2
CYLINDER, BOOM LIFT		ENGINE COOLANT HEATER KIT	0505-4
(SN XXXXXX-)	3165-4	ENGINE COOLANT HEATER KIT	0505-8
CYLINDER, BUCKET TILT (SN -920878)	3165-6	ENGINE COOLING FAN PUMP AND MOTOR	0510-10
CYLINDER, BUCKET TILT (SN 920879-)	3165-8	ENGINE COOLING FAN SOLENOID VALVE	0510-10
CYLINDER, GAS OPERATED	0920-4	ENGINE COOLING KIT	
CYLINDER, GAS OPERATED	0920-6	(OIL COOLER/RADIATOR)	0510-2
CYLINDER, LIFT, LOADER BOOM	3163-2	ENGINE LIFT STRAPS	0540-2
CYLINDER, MASTER BRAKE	1062-6	ENGINE OVERHAUL KIT (THRUST WASHERS/ CAPSCREWS) (9901) (5030TT003)	0404-14
CYLINDER, STEERING (SN -020606)	0965-6	ENGINE OVERHAUL KIT (9901)	0404-9
CYLINDER, STEERING (SN 020607-)	0965-8	ENGINE OVERHAUL KIT (9901)	0404-11
CYLINDER, STEERING AND PINS	0965-2	ENGINE OVERHAUL KIT (9901)	0452-5
CYLINDER, TILT STEERING	0920-2	ENGINE OVERHAUL KIT (9901)	0452-7
CYLINDER, TILT, LOADER BOOM	3163-4	ENGINE OVERHAUL KITS (9901)	0404-8
CYLINDER, WORKSITE PRO QUICK-TATCH	3104-6	ENGINE OVERHAUL KITS (9901)	0452-4
CYLINDER, HOOD SUPPORT	1911-2	ENGINE SPEED CONTROL CABLE	0515-2
		ENGINE SPEED CONTROL FOOT PEDAL	0515-4
D		ENGINE SPEED CONTROL PEDAL	0515-2
DAMPENER, VIBRATION, STEERING COLUMN	0920-2	EURO QUICK ATTACH PIVOT (LOADER BOOM)	3115-6
DAMPER ELEMENT, ARTICULATION		EXHAUST MANIFOLD	0410-2
JOINT PINS AND BUSHINGS	1743-4	EXHAUST MUFFLER	0531-2
DANGER LABELS	1322-2	EXHAUST VALVE (5030TT003)	0409-2
DETENT KIT, THIRD FUNCTION CONTROL LEVER	3115-2	EXPANSION TANK FITTINGS AND HOSES	0510-6
DIFFERENTIAL LOCK	0263-2	EXPANSION TANK, BRAKE SYSTEM	1063-2
DIFFERENTIAL LOCK, FRONT AXLE MOUNTING	0242-2		
DIFFERENTIAL, FRONT AXLE	0250-2	F	
DIFFERENTIAL, REAR AXLE DIFFERENTIAL		FAN BELT	0429-6
ASSY, RING AND PINION	0250-12	FAN DRIVE, ENGINE	0429-4
DIPSTICK, ENGINE OIL	0407-10	FAN GUARD	0510-4
DIRECTIONAL CONTROL VALVE	2161-6	FAN PULLEY, ENGINE	0429-8
DISC, BRAKE	1111-2	FAN PUMP AND MOTOR, COOLING	0510-10
DISK, CLUTCH (HYDROSTATIC PUMP)	2161-4		
DISPLAY, DIGITAL, INSTRUMENT PANEL SIDE	1676-4		
DOOR, CAB	1810-6		

ALPHABETICAL INDEX - CONTINUED

	PAGE		PAGE
FAN SHROUD.....	0510-4	FNR LEVER/SWITCH.....	0920-2
FAN, SUCTION (HEATER).....	1831-2	FNR SWITCH CONTROLLER.....	3160-2
FENDERS, MAIN FRAME.....	1741-2	FOLLOWER, CAM.....	0402-4
FENDERS, REAR.....	1927-4	FOOT PEDAL, ENGINE SPEED CONTROL.....	0515-4
FENDERS, FRONT.....	1927-2	FORK, OPERATOR SEAT SUSPENSION.....	1821-8
FILLER CAP, ENGINE OIL.....	0402-2	FORKS, PALLET.....	3103-2
FILLER CAP, HYDRAULIC OIL RESERVOIR.....	2164-2	FORWARD/REVERSE SOLENOID VALVE.....	0362-4
FILTER DRIER, A/C.....	1832-4	FORWARD/REVERSE VALVE.....	0362-6
FILTER ELEMENT, HYDRAULIC.....	2164-4	FOUR WAY FLASHER RELAY.....	1676-6
FILTER MOUNTING, HYDRAULIC RESERVOIR.....	2164-2	FOURTH FUNCTION FIELD KIT.....	2163-10
FILTER, AIR DUCT (AIR CONDITIONER).....	1830-4	FOURTH FUNCTION Z CONNECTOR QUICK RELEASE (2 WAY).....	2163-10
FILTER, ENGINE OIL.....	0407-8	FRAME ARTICULATION JOINT PINS AND BUSHINGS.....	1743-4
FILTER, FUEL.....	0420-2	FRAME ARTICULATION LOCKING BAR.....	1743-2
FILTER, FUEL, PRE-HEATER.....	0420-1	FRAME HARDWARE, LOADER.....	1743-6
FILTER, HYDRAULIC RESERVOIR.....	2164-4	FRAME, HOOD (SN -015916).....	1911-4
FILTER, TRASH GUARD.....	2010-2	FRAME, HOOD (SN 015917-).....	1911-6
FILTERS, AIR CLEANER.....	0521-4	FRAME, LOADER.....	3140-2
FITTING (RETURN-TO-DIG).....	3166-2	FRAME, LOADER CONTROL.....	3160-2
FITTING PLUG, FRONT PLANETARY GEAR DRIVE.....	0250-6	FRAME, HOOD.....	1911-2
FITTING, DRAIN (CAB CONSOLE AND INSULATING MAT).....	1812-4	FREEZE CONTROL SWITCH, A/C.....	1830-2
FITTING, GREASE (REAR AXLE).....	0263-4	FRENCH LABELS.....	1322-8
FITTING, HYDRAULIC HOSE FLANGE.....	0363-2	FRENCH WARNING LABELS.....	1322-6
FITTING, LUBRICATION (FRAME ARTICULATION JOINT PINS AND BUSHINGS).....	1743-4	FRONT AXLE AND MOUNTING HARDWARE.....	0242-2
FITTING, LUBRICATION, BOOM LIFT CYLINDER (SN -XXXXXX).....	3165-2	FRONT AXLE DIFFERENTIAL HOUSING, BEVEL GEAR AND DISK.....	0250-2
FITTING, LUBRICATION, BOOM LIFT CYLINDER (SN XXXXXX-).....	3165-4	FRONT AXLE HOUSING.....	0250-8
FITTING, LUBRICATION, BUCKET TILT CYLINDER (SN -920878).....	3165-6	FRONT AXLE WHEEL MOUNTING NUTS.....	0242-2
FITTING, LUBRICATION, BUCKET TILT CYLINDER (SN 920879-).....	3165-8	FRONT DRIVE SHAFT.....	0225-2
FITTING, LUBRICATION, STEERING CYLINDER.....	0965-2	FRONT FENDER SUPPORTS.....	1927-2
FITTINGS AND HOSES, EXPANSION TANK.....	0510-6	FRONT FENDERS.....	1927-2
FITTINGS AND HOSES, RADIATOR COOLING.....	0510-6	FRONT OIL SEAL, ENGINE.....	0402-6
FITTINGS AND HYDRAULIC HOSES (PARK BRAKE MANIFOLD).....	1100-2	FRONT PLANETARY GEAR DRIVE.....	0250-6
FITTINGS, BRAKE PEDAL HYDRAULIC.....	1062-2	FRONT WINDSHIELD GUARD.....	1810-10
FITTINGS, DIFFERENTIAL LOCK.....	0263-2	FRONT WORKLIGHTS AND INTERIOR LIGHT.....	1673-6
FITTINGS, HYDRAULIC HOSES AND PILOT ACCUMULATOR.....	2163-2	FUEL CONTROL RACK (5030TT003) (1604).....	0413-2
FITTINGS, HYDRAULIC OIL RESERVOIR.....	2164-2	FUEL CONTROL RACK (5030TT003) (1640).....	0413-4
FITTINGS, HYDROSTATIC MOTOR.....	0361-2	FUEL CONTROL RACK (5030TT003) (1659).....	0413-6
FITTINGS, LUBE (LOADER BOOM LINK).....	3115-10	FUEL CONTROL RACK GUIDE KIT (9901) (5030TT003).....	0413-10
FITTINGS, LUBE (LOADER BOOM).....	3115-8	FUEL FILTER AND LINES.....	0420-2
FITTINGS, MAIN LOADER CONTROL VALVE.....	2163-4	FUEL FILTER PRE-HEATER.....	0420-1
FITTING PLUG, FRONT AXLE HOUSING.....	0250-8	FUEL INJECTION ANEROID AND LINE.....	0413-8
FITTINGS AND HOSES, COOLING SYSTEM.....	0363-1	FUEL INJECTION GOVERNOR.....	0406-2
FLANGE (HYDROSTATIC PUMP).....	2161-4	FUEL INJECTION NOZZLE (5030TT003) (1604) (ESN -035540).....	0413-2
FLANGE FITTING, HYDRAULIC HOSE.....	0363-2	FUEL INJECTION NOZZLE (5030TT003) (1640).....	0413-4
FLAP (HEATER).....	1831-4	FUEL INJECTION NOZZLE (5030TT003) (1659).....	0413-6
FLASHER LEVER/SWITCH.....	0920-2	FUEL LINES, FUEL TANK.....	0560-2
FLASHER, FOUR WAY RELAY.....	1676-6	FUEL SHUTOFF SOLENOID.....	0406-2
FLASHER, OPERATOR SEAT TRACK (SN -022620).....	1821-4	FUEL SHUTOFF, SOLENOID (ESN 127766-).....	0406-2
FLASHER, OPERATOR SEAT TRACK (SN 022621-).....	1821-6	FUEL SYSTEM UNIT PUMP (5030TT003) (1604) (ESN -035540).....	0413-2
FLOODLAMP (HEADLIGHTS) (SN. -814326).....	1673-2	FUEL SYSTEM UNIT PUMP (5030TT003) (1640).....	0413-4
FLOODLAMP (HEADLIGHTS) (SN. 814327-).....	1673-4	FUEL SYSTEM UNIT PUMP (5030TT003) (1659).....	0413-6
FLOORMAT.....	1811-2	FUEL TANK.....	0560-2
FLUSHING VALVE, HYDROSTATIC MOTOR.....	0361-6	FUEL TANK SENDER.....	0560-2
FLYWEIGHT KIT (9901) (5030TT003).....	0452-26	FUEL TRANSFER PUMP.....	0421-2
FLYWEIGHT, GOVERNOR.....	0406-2	FUSE AND RELAY CIRCUIT BOARD.....	1676-8
FLYWHEEL.....	0433-2	FUSE AND RELAY PANEL.....	1676-2
FLYWHEEL HOUSING.....	0433-4	FUSE PANEL.....	1676-6
		FUSES.....	1674-2
		FUSES, RELAYS AND CIRCUIT BOARD.....	1676-8

ALPHABETICAL INDEX - CONTINUED

	PAGE		PAGE
G			
GAS OPERATED CYLINDER.....	0920-4	HEAD BOLTS KIT,CYLINDER (9901)	
GAS OPERATED CYLINDER.....	0920-6	(5030TT003).....	0409-6
GASKET KIT, ENGINE (9901) (5030TT003).....	0452-2	HEAD, CYLINDER (5030TT003).....	0409-2
GASKET, CYLINDER HEAD (OVERSIZED) (9901)		HEADLIGHTS (SN. -814326).....	1673-2
(5030TT003).....	0409-4	HEADLIGHTS (SN. 814327-).....	1673-4
GASKET, CYLINDER HEAD STD (5030TT003).....	0409-2	HEADLINER,CAB.....	1810-8
GASKET, EXHAUST MANIFOLD.....	0410-2	HEATER.....	1831-2
GASKET, FORWARD/REVERSE SOLENOID VALVE.....	0362-4	HEATER ADAPTER (9701) (5030TT003).....	0505-10
GASKET, OIL COOLER (5030TT003).....	0419-2	HEATER FLAP AND BRACKET.....	1831-4
GASKET, TIMING GEAR COVER.....	0402-6	HEATER, COOLANT, ENGINE.....	0505-4
GASKET, TURBOCHARGER.....	0416-2	HEATER, COOLANT, ENGINE.....	0505-8
GAUGE, OIL RESERVOIR SIGHT.....	2164-2	HITCH, REAR COUNTERWEIGHT.....	1749-2
GEAR BOX, REDUCTION.....	0250-10	HOLDER (A/C CONTROLS).....	1832-6
GEAR PUMP, HYDRAULIC.....	2161-14	HOLDER (RETURN-TO-DIG).....	3166-2
GEAR PUMP, TANDEM AND FITTINGS.....	2161-2	HOLDER, FUSE.....	1674-2
GEAR, BEVEL, FRONT AXLE.....	0250-2	HOOD AND TRIM (SN -015916).....	1911-4
GEAR, GOVERNOR.....	0406-2	HOOD AND TRIM (SN 015917-).....	1911-6
GEAR, POWER TAKE-OFF.....	0250-16	HOOD FRAME.....	1911-2
GEAR, RING, REAR AXLE.....	0250-14	HOOD LATCH (SN -015916).....	1911-4
GIRDER, FRAME ARTICULATION, JOINT.....	1743-4	HOOD LATCH (SN 015917-).....	1911-6
GLASS, CAB.....	1813-6	HOOD SUPPORT.....	1911-2
GLOW PLUG, STARTING AID.....	0505-2	HOOD SUPPORT CYLINDER.....	1911-2
GOVERNOR.....	0406-2	HOOKS, LIFT.....	1749-4
GOVERNOR LEVER KIT (9901) (5030TT003).....	0406-4	HORN, ELECTRICAL SYSTEM.....	1674-4
GREASE FITTING, REAR AXLE.....	0263-4	HOSE (HEATER).....	1831-2
GRILL, CAB AIR.....	1830-4	HOSE CLAMP, WIPERFLUID TANK.....	1814-2
GRILLE, FRONT WINDSHIELD.....	1810-10	HOSE, AIR.....	1830-4
GRILLE, RADIATOR.....	1911-2	HOSE, AIR INLET (ENGINE).....	0414-2
GROMMET, LEFT HAND CAB DOOR.....	1813-2	HOSE, BUCKET CYLINDER.....	3163-4
GROUND SPEED SENSOR, FRONT AXLE		HOSE, DIFFERENTIAL LOCK.....	0263-2
DIFFERENTIAL HOUSING.....	0250-2	HOSE, DRAIN, BULK	
GUARD, BELT.....	0400-2	(CAB CONSOLE AND INSULATING MAT).....	1812-4
GUARD, FAN.....	0510-4	HOSE, ENGINE VENTILATOR.....	0408-2
GUARD, FRONT WINDSHIELD.....	1810-10	HOSE, FUEL FILTER.....	0420-2
GUIDE (A/C CONTROLS).....	1832-6	HOSE, FUEL FILTER PRE-HEATER.....	0420-1
GUIDE KIT, FUEL CONTROL RACK (9901)		HOSE, HYDRAULIC (RIDE CONTROL KIT).....	3162-2
(5030TT003).....	0413-10	HOSE, HYDRAULIC (Z CONNECTOR QUICK RELEA	
GUIDE, OPERATOR SEAT SUSPENSION.....	1821-8	SE (2 WAY).....	2163-12
H			
HALF CLAMP, HYDRAULIC OIL LINES.....	0363-2	HOSE, HYDRAULIC, Z CONNECTOR QUICK	
HALF CLAMP, HYDRAULIC OIL LINES.....	0363-4	RELEASE, FOURTH FUNCTION (2 WAY).....	2163-10
HALF CLAMP, Z CONNECTOR QUICK RELEASE		HOSE, OIL COOLER (5030TT003).....	0419-2
(2 WAY).....	2163-12	HOSE, TURBOCHARGER OIL.....	0416-2
HALF CLAMP, Z CONNECTOR QUICK RELEASE,		HOSE, WIPER FLUID TANK.....	1814-2
FOURTH FUNCTION (2 WAY).....	2163-10	HOSE,RADIATOR HIGH PRESSURE.....	0510-4
HALF CLAMPS, LOADER FRAME HARDWARE.....	1743-6	HOSES (HYDRAULIC OIL LINES).....	0363-2
HAND PRIMER, FUEL TRANSFER PUMP.....	0421-2	HOSES (HYDRAULIC OIL LINES).....	0363-4
HANDLE, OPERATOR SEAT (SN -022620).....	1821-4	HOSES (HYDRAULIC) AND STEERING VALVE.....	0963-2
HANDLE, OPERATOR SEAT (SN 022621-).....	1821-6	HOSES AND FITTINGS, HYDRAULIC	
HANDLE, PILOT CONTROL.....	3160-2	(PARK BRAKE MANIFOLD).....	1100-2
HANDLE, PILOT CONTROLLER.....	3160-4	HOSES AND FITTINGS, COOLING SYSTEM.....	0363-1
HANDLE,RIGHT HAND CAB DOOR.....	1813-4	HOSES, AIR CLEANER.....	0521-2
HARDWARE, LOADER FRAME.....	1743-6	HOSES, BRAKE HYDRAULIC.....	1063-2
HARNESS(MAIN WIRING).....	1674-2	HOSES, HYDRAULIC (REAR AXLE).....	0263-4
HARNESS, ROOF WIRING		HOSES, LIFT CYLINDER LOADER BOOM	
(CAB AND COMPONENTS).....	1810-4	HYDRAULIC LINES.....	3163-2
HARNESS, STARTING AID WIRING.....	0505-2	HOSES, LOADER BOOM HYDRAULIC	
HARNESS, TAILLIGHT WIRING.....	1673-1	LINES AND FITTINGS.....	3163-6
HARNESS, WIRING		HOSES, PILOT CONTROL VALVE.....	2163-2
(FUSE AND RELAY PANEL).....	1676-2	HOSES, REAR AXLE HYDRAULICS.....	0263-4
HARNESS, WIRING, FRONT WORKLIGHTS AND		HOUSING, ENGINE REAR OIL SEAL.....	0401-4
INTERIOR LIGHT.....	1673-6	HOUSING, FLYWHEEL.....	0433-4
		HOUSING, FRONT AXLE.....	0250-8
		HOUSING, FRONT PLANETARY GEAR DRIVE.....	0250-6
		HOUSING, HYDROSTATIC MOTOR.....	0361-6
		HOUSING, OIL FILTER (5030TT003).....	0419-2
		HOUSING, POWER TAKE-OFF.....	0250-16

ALPHABETICAL INDEX - CONTINUED

PAGE

PAGE

HOUSING, REAR AXLE DIFFERENTIAL	
ASSY, RING AND PINION	0250-12
HOUSING, REAR AXLE DRIVE	0250-14
HOUSING, REAR AXLE, REDUCTION GEAR BOX	0250-10
HUB, ENGINE FAN	0429-4
HUB, FRONT PLANETARY GEAR DRIVE	0250-6
HUB, REAR AXLE DRIVE	0250-14
HYDRAULIC ACTUATED CONTROL VALVE, FORWARD/REVERSE	0362-6
HYDRAULIC AUTOMATIC RESTRICTOR KIT	3162-6
HYDRAULIC CONTROL VALVE BLOCK (MAIN W/4TH FUNCTION)	2163-8
HYDRAULIC CONTROL VALVE BLOCK, MAIN	2163-6
HYDRAULIC CYLINDER, BOOM LIFT (SN -XXXXXX)	3165-2
HYDRAULIC CYLINDER, BOOM LIFT (SN XXXXXX-)	3165-4
HYDRAULIC CYLINDER, BUCKET TILT (SN -920878)	3165-6
HYDRAULIC CYLINDER, BUCKET TILT (SN 920879-)	3165-8
HYDRAULIC FILTER ELEMENT	2164-4
HYDRAULIC FITTINGS, MAIN CONTROL VALVE	2163-4
HYDRAULIC GEAR PUMP	2161-14
HYDRAULIC HOSE, Z CONNECTOR QUICK RELEASE, FOURTH FUNCTION (2 WAY)	2163-10
HYDRAULIC HOSES	0363-2
HYDRAULIC HOSES	0363-4
HYDRAULIC HOSES AND FITTINGS, PILOT CONTROL VALVE AND ACCUMULATOR	2163-2
HYDRAULIC HOSES AND STEERING VALVE	0963-2
HYDRAULIC HOSES, BRAKE	1063-2
HYDRAULIC HOSES, REAR AXLE	0263-4
HYDRAULIC LINES AND FITTINGS	3163-4
HYDRAULIC LINES FOR LIFT CYLINDER, LOADER BOOM	3163-2
HYDRAULIC LINES FOR TILT CYLINDER, LOADER BOOM	3163-4
HYDRAULIC LINES, REAR AXLE	0263-4
HYDRAULIC OIL COOLER	0510-4
HYDRAULIC OIL LINES	0363-2
HYDRAULIC OIL LINES	0363-4
HYDRAULIC OIL RESERVOIR	2164-2
HYDRAULIC PUMP, MOTOR AND FITTINGS, ENGINE COOLING FAN	0510-10
HYDRAULIC PUMP, TANDEM AND FITTINGS	2161-2
HYDRAULIC RESERVOIR FILTER	2164-4
HYDRAULIC SOLENOID VALVE, DIFFERENTIAL LOCK	0263-2
HYDRAULIC VALVES, SOLENOID (PARK BRAKE)	1100-2
HYDRAULIC, HOSE (RIDE CONTROL KIT)	3162-2
HYDRAULICS, AUXILIARY THIRD FUNCTION	3163-10
HYDROSTATIC MOTOR	0361-2
HYDROSTATIC MOTOR FITTINGS	0361-2
HYDROSTATIC MOTOR FLUSHING VALVE	0361-6
HYDROSTATIC MOTOR REGULATOR CONTROL VALVE	0362-2
HYDROSTATIC MOTOR REGULATOR CONTROL VALVE SOLENOID	0362-2
HYDROSTATIC MOTOR REGULATOR VALVE	0361-4
HYDROSTATIC PUMP	2161-6
HYDROSTATIC PUMP SPLINED COUPLING AND FLANGE	2161-4
HYDROSTATIC TANDEM PUMP WITH FITTINGS	2161-2
HYDRAULIC HOSE, Z CONNECTOR QUICK RELEAS E (2 WAY)	2163-12

I

IDLER PULLEY, ENGINE FAN DRIVE	0429-4
INDICATOR, AIR CLEANER RESTRICTION	0521-2
INSTRUMENT PANEL (CAB CONSOLE AND INSULATING MAT)	1812-4
INSTRUMENT PANEL SIDE CONSOLE	1676-4
INSTRUMENT WIRING (FUSE AND RELAY PANEL)	1676-2
INSULATOR, HYDRAULIC OIL RESERVOIR	2164-2
INTAKE HOSE, AIR (ENGINE)	0414-2
INTAKE VALVE (5030TT003)	0409-2
INTAKE, AIR CLEANER	0521-2
INTAKE, ENGINE OIL PUMP	0407-4
INTAKE, ENGINE OIL PUMP (ESN. -1238 38)	0407-2
ISOLATOR (FUEL TANK)	0560-2
ISOLATOR (FUSE AND RELAY PANEL)	1676-2
ISOLATOR (FUSES, RELAYS AND CIRCUIT BOARD)	1676-8
ISOLATOR, CAB MOUNTING	1810-2
ISOLATOR, MAIN FRAME, COVERS AND FENDERS	1741-2
ISOLATOR, ROCKER ARM COVER	0402-2

J

JOYSTICK PILOT CONTROLLER	3160-4
JOYSTICK, PILOT CONTROLLER	3160-4

K

KEY, BATTERY SWITCH	1674-4
KEY, INSTRUMENT PANEL SIDE CONSOLE	1676-4
KEY, RIGHT HAND CAB DOOR	1813-4
KEY, LEFT HAND CAB DOOR	1813-2
KIT, BEARING (CONNECTING ROD) (9901) (5030TT003)	0401-6
KIT, BOOM AND BUCKET CYL. ROD GUIDE (SN -920878)	3165-12
KIT, BOOM AND BUCKET CYLINDER PISTON (SN -920878)	3165-10
KIT, CAMSHAFT (9901) (5030TT003)	0404-10
KIT, CAMSHAFT (9901) (5030TT003)	0452-6
KIT, CONNECTING ROD BEARING (9901) (5030TT003)	0401-6
KIT, COOLANT HEATER, ENGINE	0505-4
KIT, COOLANT HEATER, ENGINE	0505-8
KIT, COOLING, ENGINE (OIL COOLER/RADIATOR)	0510-2
KIT, CRANKSHAFT MAIN BEARING (9901) (5030TT003)	0401-10
KIT, CRANKSHAFT MAIN BEARING, UNDERSIZED (9901) (5030TT003)	0401-8
KIT, CRANKSHAFT PULLEY	0429-2
KIT, CYLINDER HEAD BOLT (9901) 5030TT003	0409-6
KIT, ENGINE GASKET (9901) (5030TT003)	0452-2
KIT, ENGINE OVERHAUL (THRUST WASHERS/ CAPSCREWS) (9901) (5030TT003)	0404-14
KIT, ENGINE OVERHAUL (9901)	0404-8
KIT, ENGINE OVERHAUL (9901)	0404-9
KIT, ENGINE OVERHAUL (9901)	0404-11
KIT, ENGINE OVERHAUL (9901)	0452-4
KIT, ENGINE OVERHAUL (9901)	0452-5
KIT, ENGINE OVERHAUL (9901)	0452-7
KIT, FLYWEIGHT (9901) (5030TT003)	0452-26

ALPHABETICAL INDEX - CONTINUED

	PAGE		PAGE
KIT, FUEL CONTROL RACK GUIDE (9901) (5030TT003).....	0413-10	LEVER, GOVERNOR (5030TT003) (1604) (ESN -035540).....	0413-2
KIT, GOVERNOR LEVER (5030TT003) (1604) (ESN -035540).....	0413-2	LEVER, GOVERNOR (5030TT003) (1640).....	0413-4
KIT, GOVERNOR LEVER (5030TT003) (1640).....	0413-4	LEVER, GOVERNOR (5030TT003) (1659).....	0413-6
KIT, GOVERNOR LEVER (5030TT003) (1659).....	0413-6	LEVER, GOVERNOR CONTROL.....	0406-2
KIT, GOVERNOR LEVER (9901) (5030TT003).....	0406-4	LEVER, GOVERNOR SPRING.....	0406-2
KIT, HEATER ADAPTER (9701) (5030TT003).....	0505-10	LEVER, LEFT HAND CAB DOOR.....	1813-2
KIT, HYDRAULIC AUTOMATIC RESTRICTOR.....	3162-6	LEVER, OPERATOR SEAT (SN -022620).....	1821-4
KIT, MAIN CONTROL VALVE BLOCK.....	2163-6	LEVER, OPERATOR SEAT (SN 022621-).....	1821-6
KIT, PISTON RING (ESN -127765).....	0403-2	LEVER, PILOT CONTROL VALVE.....	3160-2
KIT, PISTON RING (ESN 127766-).....	0403-4	LEVER, RIGHT HAND CAB DOOR.....	1813-4
KIT, PISTON 0.25 OS (9901) (5030TT003).....	0451-2	LEVER, TURN SIGNAL.....	0920-2
KIT, PISTON 0.50 OS (9901) (5030TT003).....	0451-4	LIFT CYLINDER LOADER BOOM HYDRAULIC LINES.....	3163-2
KIT, RESTRICTOR VALVE.....	2163-4	LIFT CYLINDER, BOOM (SN -XXXXXX).....	3165-2
KIT, SEAL (BOOM/BUCKET CYL. ROD GUIDE) (SN -920878).....	3165-12	LIFT CYLINDER, BOOM (SN XXXXXX-).....	3165-4
KIT, SEAL (LOADER BOOM).....	3115-6	LIFT CYLINDER, LOADER BOOM.....	3163-2
KIT, SEAL (STEERING CYLINDER) (SN -020606).....	0965-6	LIFT HOOKS.....	1749-4
KIT, SEAL (STEERING CYLINDER) (SN 020607-).....	0965-8	LIFT STRAPS, ENGINE.....	0540-2
KIT, STEERING CYLINDER SEAL (SN -020606).....	0965-10	LIGHT, BEACON.....	2004-4
KIT, STEERING CYLINDER SEAL (SN -020606).....	0965-12	LINE (HEATER).....	1831-2
KIT, THROTTLE LEVER (5030TT003) (1604) (ESN -035540).....	0413-2	LINE, ANEROID.....	0413-8
KIT, THROTTLE LEVER (5030TT003) (1640).....	0413-4	LINE, ANEROID (5030TT003) (1604) (ESN -035540).....	0413-2
KIT, THROTTLE LEVER (5030TT003) (1659).....	0413-6	LINE, ANEROID (5030TT003) (1640).....	0413-4
KIT, THRUST WASHER, CRANKSHAFT (9901) (5030TT003).....	0401-12	LINE, ANEROID (5030TT003) (1659).....	0413-6
KIT, TIMING GEAR COVER (5030TT003)(9901).....	0404-12	LINE, TURBOCHARGER DRAIN.....	0416-2
KNOB (A/C CONTROLS).....	1832-6	LINES (LOADER BOOM HYDRAULIC) FOR LIFT CYLINDER.....	3163-2
KNOB (HEATER).....	1831-2	LINES AND FITTINGS, BRAKE.....	1063-2
KNOB, ARMREST.....	1811-2	LINES AND FITTINGS, LOADER HYDRAULICS.....	3163-4
		LINES FOR TILT CYLINDER, LOADER BOOM HYDRAULIC.....	3163-4
L		LINES, FUEL FILTER.....	0420-2
LABEL (RETURN-TO-DIG).....	3166-2	LINES, FUEL TANK FUEL.....	0560-2
LABEL, BYPASS START SAFETY.....	0422-2	LINES, HYDRAULIC (REAR AXLE).....	0263-4
LABEL, CAB FRONT WINDOWPANE.....	1813-6	LINES, HYDRAULIC OIL.....	0363-2
LABEL, FUSE PANEL AND RELAY BOARD.....	1676-6	LINES, HYDRAULIC OIL.....	0363-4
LABEL, INSTRUMENT PANEL SIDE CONSOLE.....	1676-4	LINK CHAIN, CYLINDER LOCK.....	3115-4
LABEL, SWITCH, A/C.....	1832-4	LINK CHAIN, FRAME ARTICULATION LOCKING BAR.....	1743-2
LABELS.....	1322-4	LINK WITH BUSHINGS, LOADER BOOM.....	3115-10
LABELS (FRENCH).....	1322-8	LINK, LOADER BOOM.....	3115-6
LABELS (SPANISH).....	1322-12	LINKS, STEERING ROD.....	0965-4
LABELS, WARNING.....	1322-2	LOADER BOOM.....	3115-6
LABELS, WARNING (FRENCH).....	1322-6	LOADER BOOM ASSEMBLY WITH BUSHINGS.....	3115-8
LABELS, WARNING (SPANISH).....	1322-10	LOADER BOOM HYDRAULIC LINES FOR LIFT CYLINDER.....	3163-2
LATCH, HOOD (SN -015916).....	1911-4	LOADER BOOM HYDRAULIC LINES AND FITTINGS.....	3163-6
LATCH, HOOD (SN 015917-).....	1911-6	LOADER BOOM HYDRAULIC LINES AND PINS FOR TILT CYLINDER.....	3163-4
LATCH, LEFT HAND CAB DOOR.....	1813-2	LOADER BOOM HYDRAULIC LINES FOR TILT CYLINDER.....	3163-4
LATCH, RIGHT HAND CAB DOOR.....	1813-4	LOADER BOOM LINK ASSEMBLY WITH BUSHINGS.....	3115-10
LEFT HAND CAB DOOR.....	1813-2	LOADER BUCKETS, WELD-ON CUTTING EDGE (0.8/1.1 CUBIC METER).....	3102-2
LEFT HAND CAB DOOR KEY.....	1813-2	LOADER BUCKETS, WELD-ON CUTTING EDGE (1.6/2.0 CUBIC METER).....	3102-4
LEFT HAND CAB DOOR LATCH.....	1813-2	LOADER CONTROL LEVER.....	3160-2
LEFT HAND CAB DOOR WINDOW.....	1813-2	LOADER CONTROL VALVE BLOCK (MAIN W/4TH FUNCTION).....	2163-8
LEVELER, AUTOMATIC LOAD (RETURN-TO-DIG).....	3166-2	LOADER FRAME AND COVER PLATE.....	3140-2
LEVER KIT, GOVERNOR (9901) (5030TT003).....	0406-4	LOADER FRAME BOOM LIFT CYLINDER (SN -XXXXXX).....	3165-2
LEVER, AUXILIARY CONTROL DETENT KIT.....	3115-2		
LEVER, AUXILIARY PILOT CONTROL VALVE.....	3160-12		
LEVER, FLASHER AND FNR.....	0920-2		

ALPHABETICAL INDEX - CONTINUED

	PAGE		PAGE
LOADER FRAME BOOM LIFT CYLINDER (SN XXXXXX-)	3165-4	N	
LOADER FRAME BUCKET TILT CYLINDER (SN -920878)	3165-6	NEUTRAL CHARGE RELIEF VALVE	2161-8
LOADER FRAME BUCKET TILT CYLINDER (SN 920879-)	3165-8	NON-RETURN VALVE, DIFFERENTIAL LOCK	0263-2
LOADER FRAME HARDWARE	1743-6	NOZZLE, AIR	1830-4
LOCK BAR, FRAME ARTICULATION	1743-2	NOZZLE, FUEL INJECTION (5030TT003) (1604) (ESN -035540)	0413-2
LOCK, CYLINDER	3115-4	NOZZLE, WINDSHIELD WASHER SPRAY	1814-2
LOCK, DIFFERENTIAL	0263-2	NUTS, FRONT AXLE WHEEL MOUNTING	0242-2
LOCK, DIFFERENTIAL, FRONT AXLE MOUNTING	0242-2		
LOCKOUT SOLENOID VALVE, PILOT	3160-2	O	
LUBE FITTING, REAR AXLE GEAR BOX	0250-10	O-RING, BOOM AND BUCKET CYLINDER PISTON (SN -920878)	3165-10
LUBRICATION FITTING, BOOM LIFT CYLINDER (SN -XXXXXX)	3165-2	O-RINGS, BRAKE	1111-2
LUBRICATION FITTING, BOOM LIFT CYLINDER (SN XXXXXX-)	3165-4	OIL COOLER (5030TT003)	0419-2
LUBRICATION FITTING, BUCKET TILT CYLINDER (SN -920878)	3165-6	OIL COOLER/RADIATOR SHROUD AND HARDWARE	0510-2
LUBRICATION FITTING, BUCKET TILT CYLINDER (SN 920879-)	3165-8	OIL COOLER/RADIATOR SHROUD ASSEMBLY	0510-8
LUBRICATION FITTING, FRAME ARTICULATION JOINT PINS AND BUSHINGS	1743-4	OIL DIPSTICK, ENGINE	0407-10
LUBRICATION FITTING, STEERING CYLINDER	0965-2	OIL FILLER CAP, ENGINE	0402-2
		OIL FILTER HOUSING (5030TT003)	0419-2
M		OIL FILTER, ENGINE	0407-8
MAIN BEARING CAPS	0404-2	OIL LINE, PILOT ACCUMULATOR	2163-2
MAIN BEARING KIT, CRANKSHAFT (9901) (5030TT003)	0401-10	OIL LINE, TURBOCHARGER	0416-2
MAIN BEARING KIT, CRANKSHAFT, UNDERSIZED (9901) (5030TT003)	0401-8	OIL LINES, HYDRAULIC	0363-2
MAIN BEARINGS	0401-2	OIL LINES, HYDRAULIC	0363-4
MAIN CONTROL VALVE AND HYDRAULIC FITTINGS	2163-4	OIL PAN, ENGINE	0407-4
MAIN CONTROL VALVE BLOCK	2163-6	OIL PAN, ENGINE (ESN -123838)	0407-2
MAIN FRAME, COVERS AND FENDERS	1741-2	OIL PRESSURE REGULATING VALVE, ENGINE	0402-6
MAIN HYDRAULIC PUMP	2161-2	OIL PRESSURE SWITCH, ENGINE	0578-6
MAIN HYDRAULIC PUMP VALVE	2161-14	OIL PUMP (5030TT003) (9901)	0404-12
MAIN WIRING HARNESS	1674-2	OIL PUMP INTAKE, ENGINE	0407-4
MANIFOLD, DIFFERENTIAL LOCK	0263-2	OIL PUMP INTAKE, ENGINE (ESN -1238 38)	0407-2
MANIFOLD, EXHAUST	0410-2	OIL PUMP, ENGINE	0402-6
MANIFOLD, PARK BRAKE	1100-2	OIL PUMP, ENGINE	0407-6
MASTER BRAKE CYLINDER	1062-6	OIL SEAL, ENGINE FRONT	0402-6
MAT LABELS	1322-4	OIL SEAL, ENGINE REAR	0401-4
MAT, FLOOR	3160-2	OIL TANK, HYDRAULIC	2164-2
MIRROR, REAR VIEW (CAB AND COMPONENTS)	1810-4	OPERATOR SEAT	1821-2
MOTOR, ENGINE COOLING FAN	0510-10	OPERATOR SEAT (SN -022620)	1821-4
MOTOR, HYDROSTATIC	0361-2	OPERATOR SEAT (SN 022621-)	1821-6
MOTOR, HYDROSTATIC FLUSHING VALVE	0361-6	OPERATOR SEAT BELT	1821-2
MOTOR, HYDROSTATIC REGULATOR VALVE	0361-4	OPERATOR SEAT SUSPENSION	1821-8
MOTOR, STARTING	0422-2	OPERATOR SEAT TRACK (SN -022620)	1821-4
MOTOR, WINDSHIELD WIPER	1814-2	OPERATOR SEAT TRACK (SN 022621-)	1821-6
MOUNTING HARDWARE, BATTERY	1671-2	OPTION 1604 FUEL SYSTEM UNIT PUMP (5030TT003) (ESN -035540)	0413-2
MOUNTING HARDWARE, BATTERY (OPTIONAL)	1671-4	OPTION 1640 FUEL SYSTEM UNIT PUMP (5030TT003)	0413-4
MOUNTING PLATE, RADIO/SPEAKER	2001-2	OPTION 1659 FUEL SYSTEM UNIT PUMP (5030TT003)	0413-6
MOUNTING, FRONT AXLE	0242-2	OPTION 4801 CONNECTING RODS AND PISTONS (ESN -127765)	0403-2
MOUNTING, CAB	1810-2	OPTION 4808 CONNECTING RODS AND PISTONS (ESN 127766-)	0403-4
MUD GUARD, FRONT FENDERS	1927-2	OPTION 5102 CYLINDER HEAD (5030TT003)	0409-2
MUFFLER SUPPORT, EXHAUST	0531-2	OPTION 5904 OIL COOLER (5030TT003)	0419-2
MUFFLER, CATALYTIC	0531-2	OPTION 9701 HEATER ADAPTER (5030TT003)	0505-10
MUFFLER, EXHAUST	0531-2	OPTION 9901 CAMSHAFT KIT (5030TT003)	0404-10
		OPTION 9901 CAMSHAFT KIT (5030TT003)	0452-6
		OPTION 9901 CONNECTING ROD BEARING KIT (5030TT003)	0401-6
		OPTION 9901 CRANKSHAFT MAIN BEARING KIT (5030TT003)	0401-10

ALPHABETICAL INDEX - CONTINUED

	PAGE		PAGE
OPTION 9901 CRANKSHAFT MAIN BEARING KIT, UNDERSIZED (5030TT003)	0401-8	PEDAL WITH MOUNTING HARDWARE, BRAKE	1062-2
OPTION 9901 CRANKSHAFT THRUST WASHER KIT (5030TT003).....	0401-12	PEDAL, ENGINE SPEED CONTROL	0515-4
OPTION 9901 CYLINDER HEAD BOLTS KIT (5030TT003).....	0409-6	PEDAL, STEERING COLUMN.....	0920-4
OPTION 9901 CYLINDER HEAD GASKET (OVERSIZED) (5030TT003).....	0409-4	PEDAL, STEERING COLUMN.....	0920-6
OPTION 9901 ENGINE GASKET KIT (TT003)	0452-2	PEDAL,ENGINE SPEED CONTROL	0515-2
OPTION 9901 ENGINE OVERHAUL KIT	0404-9	PILLOW BLOCK, BOOM LIFT CYLINDER (SN -XXXXXX).....	3165-2
OPTION 9901 ENGINE OVERHAUL KIT	0404-11	PILLOW BLOCK, BOOM LIFT CYLINDER (SN XXXXXX-).....	3165-4
OPTION 9901 ENGINE OVERHAUL KIT	0452-5	PILOT ACCUMULATOR, HYDRAULIC HOSES AND FITTINGS.....	2163-2
OPTION 9901 ENGINE OVERHAUL KIT	0452-7	PILOT CONTROL VALVE ASSEMBLY	3160-6
OPTION 9901 ENGINE OVERHAUL KIT (THRUST WASHERS/CAPSCREWS) (5030TT003)	0404-14	PILOT CONTROL VALVE COILS AND PLUNGER ASSEMBLY.....	3160-8
OPTION 9901 FLYWEIGHT KIT (5030TT003)	0452-26	PILOT CONTROL VALVE FLANGE SEAL	3160-6
OPTION 9901 FUEL CONTROL RACK GUIDE KIT (5030TT003).....	0413-10	PILOT CONTROL VALVE MOUNTING	3160-2
OPTION 9901 GOVERNOR LEVER KIT (5030TT003).....	0406-4	PILOT CONTROL VALVE SPOOLS	3160-10
OPTION 9901 PISTON AND PISTON RING KIT (0.25 OS) (5030TT003)	0451-2	PILOT CONTROLLER, JOYSTICK	3160-4
OPTION 9901 PISTON AND PISTON RING KIT (0.50 OS) (5030TT003)	0451-4	PILOT LOCKOUT SOLENOID VALVE	3160-2
OPTION 9901 TIMING GEAR COVER KIT (5030TT003).....	0404-12	PILOT SHUTOFF SWITCH.....	1676-4
OPTIONAL AIR CONDITIONING UNIT AND HEATER	1830-2	PIN, FRAME ARTICULATION LOCKING BAR	1743-2
ORIFICE, OIL LINES (HYDRAULIC)	0363-4	PIN, HYDROSTATIC MOTOR FLUSHING VALVE	0361-6
ORIFICE, PISTON COOLING.....	0404-2	PIN, REAR AXLE AND MOUNTING HARDWARE	0242-4
OVERHAUL KIT (THRUST WASHERS/CAPSCREWS (9901) (5030TT003)	0404-14	PIN, REAR COUNTERWEIGHT	1749-2
OVERHAUL KITS, ENGINE (9901)	0404-8	PIN, RETAINING, CYLINDER LOCK	3115-4
OVERHAUL KITS, ENGINE (9901)	0452-4	PIN, SPRING, CYLINDER LOCK	3115-4
OVERHAUL, ENGINE KIT (9901)	0404-9	PINS CAB DOOR MOUNTING	1810-6
OVERHAUL, ENGINE KIT (9901)	0404-11	PINS, FRAME ARTICULATION, JOINT	1743-4
OVERHAUL, ENGINE KIT (9901)	0452-5	PINS, LOADER BOOM	3115-6
OVERHAUL, ENGINE KIT (9901)	0452-7	PINS, LOADER BUCKET CYLINDER	3163-4
OVERRIDE VALVE, PRESSURE, HYDROSTATIC PUMP	2161-6	PINS, STEERING CYLINDER	0965-2
OVERSIZED CYLINDER HEAD GASKET (9901) (5030TT003).....	0409-4	PIPE, MUFFLER EXHAUST	0531-2
OVERSIZED 0.25 PISTON KIT (9901) (5030TT003).....	0451-2	PISTON (ESN -127765)	0403-2
OVERSIZED 0.50 PISTON KIT (9901) (5030TT003).....	0451-4	PISTON (ESN 127766-)	0403-4
P		PISTON COOLING ORIFICE.....	0404-2
PAD, RUBBER (BATTERY)	1671-2	PISTON KIT 0.25 OS (9901) (5030TT003)	0451-2
PAD, RUBBER, BATTERY (OPTIONAL)	1671-4	PISTON KIT 0.50 OS (9901) (5030TT003)	0451-4
PALLET FORKS.....	3103-2	PISTON RING KIT (ESN -127765)	0403-2
PAN, ENGINE OIL	0407-4	PISTON RING KIT (ESN 127766-)	0403-4
PAN, ENGINE OIL (ESN. -123838)	0407-2	PISTON RING KIT 0.25 OS (9901) (5030TT003).....	0451-2
PANEL (CAB AND COMPONENTS).....	1810-4	PISTON RING KIT 0.50 OS (9901) (5030TT003).....	0451-4
PANEL, FUSE	1676-6	PISTON ROD BEARING (STEERING CYLINDER) (SN -020606).....	0965-12
PANEL, FUSE	1676-8	PISTON, BOOM AND BUCKET CYLINDER (SN -920878).....	3165-10
PANEL, INSTRUMENT (CAB CONSOLE AND INSULATING MAT)	1812-4	PISTON, BOOM LIFT CYLINDER (SN -XXXXXX).....	3165-2
PANELS, CAB (CAB CONSOLE AND INSULATING MAT)	1812-4	PISTON, BOOM LIFT CYLINDER (SN XXXXXX-).....	3165-4
PANELS, CAB TRIM	1810-8	PISTON, BRAKE	1111-2
PARK BRAKE ASSEMBLY, FRONT AXLE	0250-2	PISTON, BUCKET TILT CYLINDER (SN -920878).....	3165-6
PARK BRAKE MANIFOLD, ACCUMULATOR, HOSES AND FITTINGS	1100-2	PISTON, BUCKET TILT CYLINDER (SN 920879-).....	3165-8
PEDAL ASSEMBLY, BRAKE	1062-4	PISTON, STEERING CYLINDER (SN -020606).....	0965-10
		PIVOT BEARING, FRAME ARTICULATION JOINT PINS AND BUSHINGS.....	1743-4
		PIVOT, EURO QUICK ATTACH (LOADER BOOM)	3115-6
		PLANET PINION CARRIER FRONT PLANETARY GEAR DRIVE	0250-6
		PLATE, BATTERY	1671-2
		PLATE, BATTERY (OPTIONAL).....	1671-4
		PLATE, CAB PLATFORM.....	1812-2
		PLATE, CHARGE PUMP WEAR.....	2161-10

ALPHABETICAL INDEX - CONTINUED

	PAGE		PAGE
PLATE, CLAMP, HYDRAULIC OIL LINES.....	0363-2	PUMP, FUEL UNIT (5030TT003) (1640).....	0413-4
PLATE, COVER, Z CONNECTOR QUICK RELEASE, FOURTH FUNCTION (2 WAY).....	2163-10	PUMP, FUEL UNIT (5030TT003) (1659).....	0413-6
PLATE, FRONT FENDERS.....	1927-2	PUMP, HYDRAULIC TANDEM AND FITTINGS	2161-2
PLATE, HYDRAULIC FILTER	2164-4	PUMP, HYDROSTATIC.....	2161-6
PLATE, LOADER BOOM HYDRAULIC LINES AND FITTINGS	3163-6	PUMP, HYDROSTATIC TANDEM	2161-2
PLATE, LOADER FRAME HARDWARE	1743-6	PUMP, OIL (5030TT003) (9901)	0404-12
PLATE, OPERATOR SEAT SUSPENSION.....	1821-8	PUMP, TANDEM AND FITTINGS.....	2161-2
PLATE, OPERATOR SEAT TRACK (SN -022620).....	1821-4	PUMP, WATER.....	0417-2
PLATE, OPERATOR SEAT TRACK (SN 022621-)... ..	1821-6	PUMP, WINDSHIELD WIPER.....	1814-2
PLATE, REAR FENDERS.....	1927-4	PUSH BUTTON, OPERATOR SEAT SUSPENSION	1821-8
PLATE, SEALING REAR WORKLIGHTS	1673-8	PUSH ROD	0402-4
PLATE, STEP, STEERING ROD LINKS.....	0965-4		
PLATE, STEPS	1822-2	R	
PLATE, VIBRATION DAMPENING, STEERING COLUMN	0920-2	RACK GUIDE KIT, FUEL CONTROL (9901) (5030TT003).....	0413-10
PLATFORM, CAB	1812-2	RACK, FUEL CONTROL (5030TT003) (1604)	0413-2
PLUG (CAB CONSOLE AND INSULATING MAT)	1812-4	RACK, FUEL CONTROL (5030TT003) (1640)	0413-4
PLUG SOCKET, BACK-UP ALARM.....	2004-2	RACK, FUEL CONTROL (5030TT003) (1659)	0413-6
PLUG, CHARGE PUMP RETAINING	2161-10	RADIATOR	0510-4
PLUG, COUPLER (Z CONNECTOR QUICK RELEASE (2 WAY)).....	2163-12	RADIATOR CAP.....	0510-4
PLUG, COUPLER, Z CONNECTOR QUICK RELEASE, FOURTH FUNCTION (2 WAY)	2163-10	RADIATOR GRILLE	1911-2
PLUG, DRAIN (BRAKE)	1111-2	RADIATOR HOSE, HIGH PRESSURE	0510-4
PLUG, DRAIN (POWER TAKE OFF GEARS)	0250-16	RADIATOR/OIL COOLER SHROUD AND HARDWARE	0510-2
PLUG, DRAIN, FRONT AXLE HOUSING.....	0250-8	RADIATOR/OIL COOLER SHROUD COVER.....	0510-8
PLUG, DRAIN, FRONT PLANETARY GEAR DRIVE	0250-6	RADIO, ANTENNA AND SPEAKERS.....	2001-2
PLUG, FITTING (AIR HOSE, NOZZLE AND FILTER).....	1830-4	RAIN CAP, AIR CLEANER.....	0521-2
PLUG, FITTING, FRONT PLANETARY GEAR DRIVE	0250-6	REAR AXLE AND MOUNTING HARDWARE	0242-4
PLUG, MAIN FRAME.....	1741-2	REAR AXLE DRIVE HOUSING	0250-14
PLUG, REAR COUNTERWEIGHT	1749-2	REAR AXLE DRIVE HUB	0250-14
PLUG, REAR WORKLIGHTS	1673-8	REAR AXLE DRIVE RING GEAR.....	0250-14
PLUG, STARTING AID GLOW.....	0505-2	REAR AXLE HOUSING, REDUCTION GEAR BOX	0250-10
PLUG, TACHOMETER SENSOR PORT.....	0578-4	REAR AXLE HYDRAULIC HOSES	0263-4
PLUNGER ASSEMBLY, PILOT CONTROL VALVE.....	3160-8	REAR AXLE HYDRAULIC LINES	0263-4
PNEUMATIC, ACCUMULATOR (RIDE CONTROL)	3162-2	REAR AXLE, DIFFERENTIAL ASSY, RING AND PINION	0250-12
POWER CORD, ENGINE COOLANT HEATER KIT	0505-4	REAR COUNTERWEIGHT	1749-2
POWER CORD, ENGINE COOLANT HEATER KIT	0505-8	REAR DRIVE SHAFT	0225-2
POWER TAKE-OFF	0250-16	REAR FENDERS	1927-4
PRE CLEANER, AIR.....	0522-2	REAR OIL SEAL (ENGINE)	0401-4
PRE-HEATER, FUEL FILTER	0420-1	REAR STEPS	1822-2
PRESSURE FLANGE, FRAME ARTICULATION JOINT PINS AND BUSHINGS	1743-4	REAR VIEW MIRROR (CAB AND COMPONENTS)	1810-4
PRESSURE OVERRIDE VALVE, HYDROSTATIC PUMP	2161-6	REAR WINDOW WIPER SWITCH.....	1676-4
PRESSURE REGULATING VALVE, CONTROL HYDROSTATIC PUMP	2161-6	REAR WORKLIGHTS	1673-8
PRESSURE REGULATING VALVE, OIL (ENGINE)	0402-6	RECEIVER DRIER, A/C.....	1832-4
PRIMER, HAND, FUEL TRANSFER PUMP	0421-2	REDUCTION GEAR BOX	0250-10
PULLEY, A/C COMPRESSOR.....	1832-2	REFLECTORS	1322-4
PULLEY, A/C COMPRESSOR DRIVE BELT	1832-2	REFRIGERANT HOSES, A/C	1830-2
PULLEY, CRANKSHAFT	0429-2	REFRIGERANT HOSES, A/C	1832-4
PULLEY, ENGINE FAN	0429-8	REGULATING VALVE, CONTROL PRESSURE, HYDROSTATIC PUMP	2161-6
PULLEY, ENGINE FAN DRIVE IDLER	0429-4	REGULATOR, HYDROSTATIC MOTOR	0361-4
PUMP, A/C	1832-4	RELAY (FUSE AND RELAY PANEL)	1676-2
PUMP, CHARGE	2161-12	RELAY MODULE (FUSE AND RELAY PANEL)	1676-2
PUMP, ENGINE COOLING FAN.....	0510-10	RELAY, A/C	1832-4
PUMP, ENGINE OIL.....	0402-6	RELAY, FOUR WAY FLASHER.....	1676-6
PUMP, ENGINE OIL.....	0407-6	RELAYS, FUSE PANEL	1676-6
PUMP, FUEL TRANSFER.....	0421-2	RELAYS, FUSE PANEL AND CIRCUIT BOARD.....	1676-8
PUMP, FUEL UNIT (5030TT003) (1604) (ESN -035540)	0413-2	RELIEF VALVE, NEUTRAL CHARGE.....	2161-8
		REPAIR KIT, MASTER BRAKE CYLINDER.....	1062-6
		RESERVOIR, HYDRAULIC.....	1063-2
		RESERVOIR, HYDRAULIC.....	2164-2
		RESERVOIR, HYDRAULIC FILTER.....	2164-4
		RESTRICTION INDICATOR, AIR CLEANER.....	0521-2
		RESTRICTOR KIT, HYDRAULIC	3162-6
		RESTRICTOR VALVE KIT	2163-4

ALPHABETICAL INDEX - CONTINUED

	PAGE		PAGE
RETAINING PIN, CYLINDER LOCK.....	3115-4	SEAL, BRAKE.....	1111-2
RETAINING PLUG, CHARGE PUMP.....	2161-10	SEAL, CONTROL AND PILOT VALVE FLANGE.....	3160-6
RETAINING SPRING, FRAME ARTICULATION.....	1743-2	SEAL, ENGINE FRONT OIL.....	0402-6
RETURN TO DIG SWITCH.....	1676-4	SEAL, ENGINE REAR OIL.....	0401-4
RETURN-TO-DIG WITH SWITCH.....	3166-2	SEAL, FRONT PLANETARY GEAR DRIVE.....	0250-6
RETURN/SUCTION FILTER.....	2164-4	SEALING PLATE, REAR WORKLIGHTS.....	1673-8
RETURN/SUCTION FILTER MOUNTING.....	2164-2	SEALING TRIM, MAIN FRAME, COVERS AND FENDERS.....	1741-2
RIDE CONTROL KIT.....	3162-2	SEALS, BOOM AND BUCKET CYL. ROD GUIDE (SN -920878).....	3165-12
RIDE CONTROL VALVE.....	3162-4	SEALS, HYDROSTATIC MOTOR AND FITTINGS.....	0361-2
RIGHT HAND CAB DOOR.....	1813-4	SEALS, STEERING CYLINDER (SN -020606).....	0965-6
RIM.....	0110-2	SEALS, STEERING CYLINDER (SN 020607-).....	0965-8
RING GEAR, REAR AXLE DRIVE.....	0250-14	SEAT BELT, OPERATOR SEAT.....	1821-2
RING KIT, PISTON 0.25 OS (9901) (5030TT003).....	0451-2	SEAT SHOCK ABSORBER, OPERATOR.....	1821-8
RING KIT, PISTON 0.50 OS (9901) (5030TT003).....	0451-4	SEAT SUPPORT, OPERATOR (SN -022620).....	1821-4
RING, BOOM AND BUCKET CYLINDER PISTON (SN -920878).....	3165-10	SEAT SUPPORT, OPERATOR (SN 022621-).....	1821-6
RING, PISTON (ESN -127765).....	0403-2	SEAT SUSPENSION, OPERATOR.....	1821-8
RING, PISTON (ESN 127766-).....	0403-4	SEAT TRACK, OPERATOR (SN -022620).....	1821-4
ROCKER ARM COVER.....	0402-2	SEAT TRACK, OPERATOR (SN 022621-).....	1821-6
ROCKER ARMS.....	0402-4	SEAT, OPERATOR.....	1821-2
ROD (RETURN-TO-DIG).....	3166-2	SELF-ALIGNING BEARING, ARTICULATION JOINT PINS AND BUSHINGS.....	1743-4
ROD BEARING, PISTON (STEERING CYLINDER) (SN -020606).....	0965-12	SENDER, ENGINE OIL PRESSURE.....	0578-6
ROD GUIDE, BOOM AND BUCKET CYLINDER (SN -920878).....	3165-12	SENDER, ENGINE TEMPERATURE.....	0578-2
ROD, BATTERY.....	1671-2	SENDER, FUEL TANK.....	0560-2
ROD, BATTERY (OPTIONAL).....	1671-4	SENSOR PORT PLUG, TACHOMETER.....	0578-4
ROD, CONNECTING (ESN -127765).....	0403-2	SENSOR, COOLANT TEMPERATURE (OIL COOLER).....	0510-2
ROD, CONNECTING (ESN 127766-).....	0403-4	SENSOR, ENGINE OIL PRESSURE.....	0578-6
ROD, PUSH.....	0402-4	SENSOR, ENGINE TEMPERATURE.....	0578-2
ROD, STEERING CYLINDER (SN -020606).....	0965-6	SENSOR, TEMPERATURE, COOLANT, HYDRAULIC OIL RESERVOIR.....	2164-2
ROD, STEERING CYLINDER (SN 020607-).....	0965-8	SHAFT, FRONT AXLE DIFFERENTIAL HOUSING, BEVEL GEAR AND DISK.....	0250-2
ROD, THREADED, A/C MOUNTING BRACKETS.....	1832-2	SHAFT, FRONT DRIVE.....	0225-2
RODS, STEERING LINKS.....	0965-4	SHAFT, FRONT PLANETARY GEAR DRIVE.....	0250-6
ROLLER BEARINGS, TAPERED, REAR AXLE DIFFERENTIAL ASSY, RING AND PINION.....	0250-12	SHAFT, PILOT CONTROL VALVE U-JOINT.....	3160-8
ROLLER, OPERATOR SEAT SUSPENSION.....	1821-8	SHAFT, POWER TAKE-OFF.....	0250-16
ROTARY SWITCH (A/C CONTROLS).....	1832-6	SHAFT, STEERING.....	0920-4
RUBBER BUFFER, FUSE PANEL AND RELAY BOARD.....	1676-8	SHAFT, STEERING.....	0920-6
RUBBER PAD, BATTERY.....	1671-2	SHAFT, REAR DRIVE.....	0225-2
RUBBER PAD, BATTERY (OPTIONAL).....	1671-4	SHIELD, A/C COMPRESSOR.....	1832-2
S		SHIELD, RADIATOR FAN AND HYDRAULIC OIL COOLER.....	0510-4
SAFETY SIGNS.....	1322-2	SHIMS, BRAKE.....	1111-2
SCRAPER RING, BOOM AND BUCKET CYL. ROD GUIDE (SN -920878).....	3165-12	SHIMS, REAR AXLE DIFFERENTIAL ASSY, RING AND PINION.....	0250-12
SCREW KIT, CYLINDER HEAD (9901) (5030TT003).....	0409-6	SHOCK ABSORBER, OPERATOR SEAT.....	1821-8
SEAL AND GASKET KIT (9901) (5030TT003).....	0452-2	SHROUD, RADIATOR/OIL COOLER.....	0510-2
SEAL KIT (LOADER BOOM).....	3115-6	SHROUD, RADIATOR/OIL COOLER ASSEMBLY.....	0510-8
SEAL KIT, BOOM AND BUCKET CYLINDER PISTON (SN -920878).....	3165-10	SHROUD, FAN.....	0510-4
SEAL KIT, HYDRAULIC FILTER.....	2164-4	SHUTOFF SOLENOID, FUEL (ESN -127765).....	0406-2
SEAL KIT, MASTER BRAKE CYLINDER.....	1062-6	SHUTTER, HYDROSTATIC MOTOR FLUSHING VALVE.....	0361-6
SEAL KIT, STEERING CYLINDER (SN -020606).....	0965-10	SIGHT GAUGE, OIL RESERVOIR.....	2164-2
SEAL KIT, STEERING CYLINDER (SN -020606).....	0965-12	SIGNS, SAFETY.....	1322-2
SEAL, BOOM AND BUCKET CYLINDER PISTON (SN -920878).....	3165-10	SLEEVE, OPERATOR SEAT TRACK (SN -022620).....	1821-4
		SLEEVE, OPERATOR SEAT TRACK (SN 022621-).....	1821-6
		SLOW MOVING VEHICLE EMBLEM.....	1320-2
		SOCKET, PLUG (BACK-UP ALARM).....	2004-2
		SOLENOID HYDRAULIC VALVES, PARK BRAKE.....	1100-2
		SOLENOID VALVE, ENGINE COOLING FAN MOTOR.....	0510-10
		SOLENOID VALVE, FORWARD/REVERSE.....	0362-4
		SOLENOID VALVE, PILOT LOCKOUT.....	3160-2
		SOLENOID, FORWARD/REVERSE VALVE.....	0362-6
		SOLENOID, FUEL SHUTOFF (ESN -127765).....	0406-2
		SOLENOID, FUEL SHUTOFF (ESN 127766-).....	0406-2

ALPHABETICAL INDEX - CONTINUED

	PAGE		PAGE
SOLENOID, HYDROSTATIC MOTOR REGULATOR		SWITCH, BOOM KICK OUT	1676-4
VALVE	0362-2	SWITCH, PILOT SHUTOFF	1676-4
SPANISH LABELS	1322-12	SWITCHES, FLASHER AND FNR LEVER	0920-2
SPANISH WARNING LABELS	1322-10		
SPEAKER, RADIO	2001-2	T	
SPEED SENSOR	0250-2	TACHOMETER SENSOR PORT PLUG	0578-4
SPINDLE, OPERATOR SEAT SUSPENSION	1821-8	TAILLIGHTS	1673-1
SPLINED COUPLING (HYDROSTATIC PUMP)	2161-4	TANDEM GEAR PUMP AND FITTINGS	2161-2
SPOOL, AUXILIARY PILOT CONTROL VALVE	3160-12	TANK, EXPANSION (BRAKE)	1063-2
SPOOL, PILOT CONTROL VALVE	3160-10	TANK, EXPANSION, FITTINGS AND HOSES	0510-6
SPRING PIN, CYLINDER LOCK	3115-4	TANK, FUEL	0560-2
SPRING, BRAKE PEDAL EXTENSION	1062-4	TANK, HYDRAULIC OIL	2164-2
SPRING, COMPRESSION (BRAKE)	1111-2	TANK, WINDSHIELD WIPER	1814-2
SPRING, COMPRESSION (FORWARD/REVERSE		TAPERED ROLLER BEARINGS, REAR AXLE	
SOLENOID VALVE)	0362-4	DIFFERENTIAL ASSY, RING AND PINION	0250-12
SPRING, OPERATOR SEAT	1821-8	TEMPERATURE SENSOR, COOLANT,	
SPRING, RETRANING, FRAME ARTICULATION	1743-2	HYDRAULIC OIL RESERVOIR	2164-2
SPRING, STEERING COLUMN	0920-4	TEMPERATURE SWITCH, ENGINE	0578-2
SPRING, STEERING COLUMN	0920-6	TENSIONER, ENGINE DRIVE BELT	0429-10
STANDOFF, BELT GUARD	0400-2	TEST, CABLE	1675-2
STARTER	0422-2	THERMOCOUPLER, A/C	1830-2
STARTING AID	0505-2	THERMOSTAT, ENGINE	0418-2
STEERING COLUMN ASSEMBLY	0920-4	THERMOSTAT, STARTING AID	0505-2
STEERING COLUMN ASSEMBLY	0920-6	THIRD FUNCTION AUXILIARY HYDRAULICS	3163-10
STEERING COLUMN COVER	0920-2	THIRD FUNCTION Z CONNECTOR QUICK RELEASE	
STEERING CONTROL UNIT, LOADER CONTROL	3160-2	(1 AND 2 WAY)	2163-12
STEERING CYLINDER (SN -020606)	0965-6	THROTTLE LEVER (5030TT003) (1604)	
STEERING CYLINDER (SN 020607-)	0965-8	(ESN -035540)	0413-2
STEERING CYLINDER AND PINS	0965-2	THROTTLE LEVER (5030TT003) (1640)	0413-4
STEERING CYLINDER SEAL KIT		THROTTLE LEVER (5030TT003) (1659)	0413-6
(SN -020606)	0965-10	THRUST BEARINGS, CRANKSHAFT	0401-2
STEERING CYLINDER SEAL KIT		THRUST WASHER KIT, CRANKSHAFT (9901)	
(SN -020606)	0965-12	(5030TT003)	0401-12
STEERING ROD LINKS	0965-4	TIE ROD	0965-4
STEERING VALVE AND HYDRAULIC HOSES	0963-2	TIEBAND, HEADLIGHT (SN. -814326)	1673-2
STEERING WHEEL	0920-2	TIEBAND, HEADLIGHT (SN. 814327-)	1673-4
STEM, VALVE, WHEEL	0110-2	TILT CYLINDER, BUCKET (SN -920878)	3165-6
STEP PLATE, STEERING ROD LINKS	0965-4	TILT CYLINDER, BUCKET (SN 920879-)	3165-8
STEPS, REAR	1822-2	TILT CYLINDER, LOADER BOOM	3163-4
STEPS, REAR FENDERS	1927-4	TIMING GEAR COVER	0402-6
STOP, STEERING ROD LINKS	0965-4	TIMING GEAR COVER KIT (5030TT003) (9901)	0404-12
STRAP (MAIN FRAME, COVERS AND FENDERS)	1741-2	TRACK, OPERATOR SEAT (SN -022620)	1821-4
STRAP, ENGINE LIFT	0540-2	TRACK, OPERATOR SEAT (SN 022621-)	1821-6
STRAP, HYDRAULIC OIL RESERVOIR	2164-2	TRANSFER PUMP, FUEL	0421-2
STRIKERS, CAB DOOR	1810-6	TRANSMISSION HYDROSTATIC MOTOR REGULATOR	0361-4
SUCTION FAN (HEATER)	1831-2	TRASH GUARD, FILTER	2010-2
SUPPORT, MUFFLER	0531-2	TRASH SCREEN	2010-2
SUPPORTS, FRONT FENDER	1927-2	TRAVEL WARNING ALARM	2004-2
SUSPENSION, OPERATOR SEAT	1821-8	TRIM PANELS, CAB	1810-8
SWASH PLATE, HYDROSTATIC MOTOR	0361-2	TRIM, HOOD SEALING (SN -015916)	1911-4
SWITCH (HEATER)	1831-2	TRIM, HOOD SEALING (SN 015917-)	1911-6
SWITCH, (RIDE CONTROL KIT)	3162-2	TRIM, SEALING	
SWITCH, A/C	1830-2	(MAIN FRAME, COVERS AND FENDERS)	1741-2
SWITCH, A/C	1832-4	TRIM, SEALING, LEFT HAND CAB DOOR	1813-2
SWITCH, AUTO LOAD LEVELER		TRIM, SEALING, RIGHT HAND CAB DOOR	1813-4
(RETURN-TO-DIG)	3166-2	TUBE, ENGINE DIPSTICK	0407-10
SWITCH, BATTERY	1674-4	TUBE, WIPER FLUID TANK	1814-2
SWITCH, BRAKE PRESSURE	1062-2	TURBOCHARGER	0416-2
SWITCH, ENGINE OIL PRESSURE	0578-6	TURN SIGNAL LEVER	0920-2
SWITCH, ENGINE TEMPERATURE	0578-2		
SWITCH, HYDROSTATIC MOTOR REGULATOR		U	
CONTROL VALVE	0362-2	U-JOINT SHAFT, PILOT CONTROL VALVE	3160-8
SWITCH, PRESSURE (PARK BRAKE MANIFOLD)	1100-2		
SWITCH, REAR WORKLIGHTS	1673-8		
SWITCH, RETURN TO DIG	1676-4		
SWITCH, ROCKER, INSTRUMENT PANEL SIDE	1676-4		
SWITCH, ROTARY (A/C CONTROLS)	1832-6		

ALPHABETICAL INDEX - CONTINUED

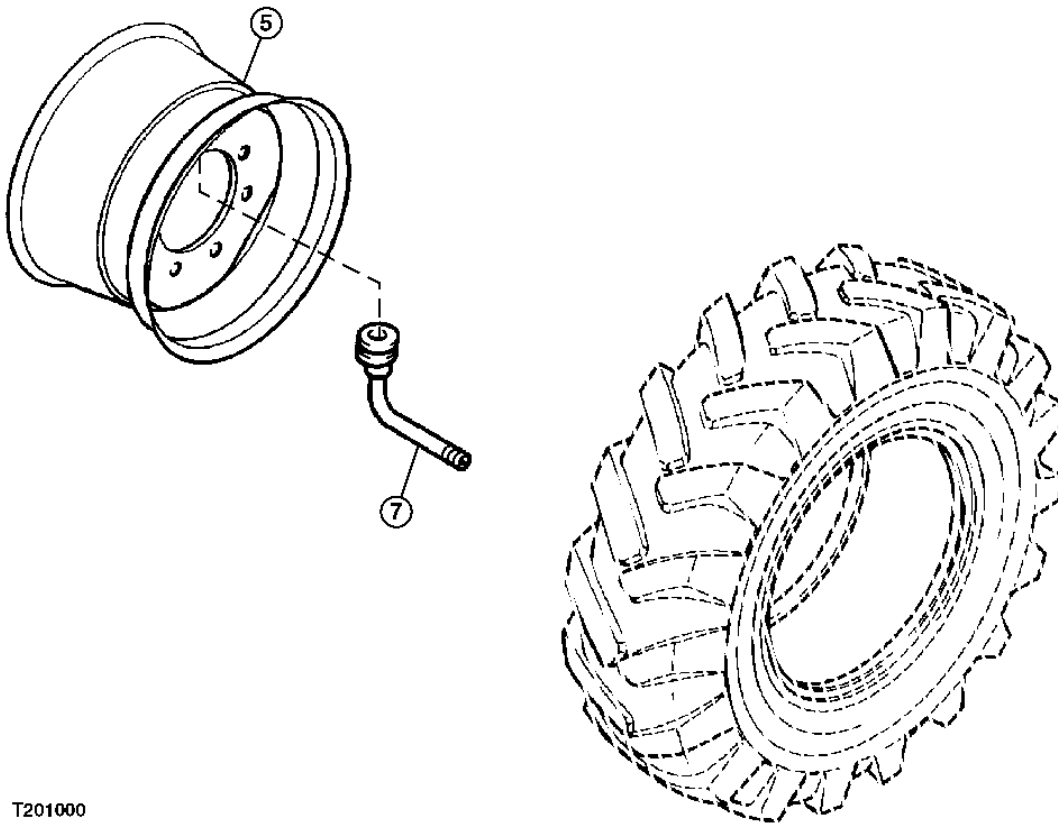
	PAGE		PAGE
UNDERSIZED MAIN BEARING KIT (9901) (5030TT003).....	0401-8	WATER PUMP	0417-2
V			
V-BELT, AIR CONDITIONER COMPRESSOR DRIVE	1832-2	WEAR PLATE, CHARGE PUMP.....	2161-10
VALVE	3162-2	WEATHERSTRIP, RADIATOR.....	0510-2
VALVE (HEATER).....	1831-2	WEIGHT, GOVERNOR	0406-2
VALVE AND HYDRAULIC HOSES, STEERING	0963-2	WHEEL	0110-2
VALVE ASSEMBLY, AUXILIARY PILOT CONTROL.....	3160-6	WHEEL BOLTS.....	0250-14
VALVE ASSEMBLY, PILOT CONTROL.....	3160-6	WHEEL, STEERING	0920-2
VALVE COILS AND PLUNGER ASSEMBLY, PILOT CONTROL.....	3160-8	WINDOW,LEFT HAND CAB DOOR.....	1813-2
VALVE COVER.....	0402-2	WINDOW,RIGHT HAND CAB DOOR	1813-4
VALVE HANDLE AND MOUNTING, PILOT CONTROL.....	3160-2	WINDOWPANE (CAB AND COMPONENTS).....	1810-4
VALVE SPOOLS, PILOT CONTROL.....	3160-10	WINDOWPANE, FRONT GUARD	1810-10
VALVE STEM, WHEEL	0110-2	WINDOWPANE, LEFT HAND CAB DOOR.....	1813-2
VALVE, AUXILIARY PILOT CONTROL.....	3160-12	WINDOWPANE, RIGHT HAND CAB DOOR.....	1813-4
VALVE, BALL COCK, LOADER BOOM HYDRAULIC LINES AND FITTINGS.....	3163-6	WINDOWPANES, CAB.....	1813-6
VALVE, BLEED, FRONT AXLE HOUSING	0250-8	WINDSHIELD WASHER SPRAY NOZZLE	1814-2
VALVE, BLEED, FRONT PLANETARY GEAR DRIVE	0250-6	WINDSHIELD WIPER (CAB AND COMPONENTS).....	1810-4
VALVE, CONTROL (HYDROSTATIC)	0361-4	WINDSHIELD WIPER BLADES, TANK AND MOTOR	1814-2
VALVE, CONTROL PRESSURE REGULATING, HYDROSTATIC PUMP	2161-6	WINDSHIELD, FRONT GUARD	1810-10
VALVE, COOLING SYSTEM HOSES AND FITTINGS	0363-1	WIPER SWITCH, REAR WINDOW.....	1676-4
VALVE, DIRECTIONAL CONTROL	2161-6	WIRE CABLE, STEERING COLUMN	0920-4
VALVE, DRAIN, HYDRAULIC OIL RESERVOIR.....	2164-2	WIRE CABLE, STEERING COLUMN	0920-6
VALVE, ENGINE OIL DRAIN	0407-4	WIRE HARNESS, FUSES, FUSE CARRIER AND BATTERY CLAMPING.....	1674-2
VALVE, ENGINE OIL DRAIN (ESN. -1238 38).....	0407-2	WIRING HARNESS (FUSE AND RELAY PANEL).....	1676-2
VALVE, EXHAUST (5030TT003).....	0409-2	WIRING HARNESS (A/C CONTROLS).....	1832-6
VALVE, FORWARD/REVERSE SOLENOID	0362-4	WIRING HARNESS(MAIN)	1674-2
VALVE, HYDRAULIC ACTUATED CONTROL, FORWARD/REVERSE.....	0362-6	WIRING HARNESS, (RIDE CONTROL KIT)	3162-2
VALVE, HYDRAULIC SOLENOID, DIFFERENTIAL LOCK.....	0263-2	WIRING HARNESS, FRONT WORKLIGHTS AND INTERIOR LIGHT.....	1673-6
VALVE, HYDROSTATIC MOTOR	0361-4	WIRING HARNESS, STARTING AID.....	0505-2
VALVE, HYDROSTATIC MOTOR REGULATOR CONTROL.....	0362-2	WIRING HARNESS, TAILLIGHT	1673-1
VALVE, INTAKE (5030TT003).....	0409-2	WIRING, INSTRUMENT (FUSE AND RELAY PANEL).....	1676-2
VALVE, MAIN HYDRAULIC PUMP	2161-14	WORK POSITIONING CLAMP LOADER BOOM HYDRAULIC LINES AND FITTINGS.....	3163-6
VALVE, MASTER BRAKE CYLINDER.....	1062-6	WORKLIGHTS, FRONT	1673-6
VALVE, NEUTRAL CHARGE RELIEF	2161-8	WORKLIGHTS, REAR	1673-8
VALVE, NON-RETURN, DIFFERENTIAL LOCK.....	0263-2	WORKSITE PRO QUICK-TATCH COUPLER (SERIAL NO. -XXXXXX)	3104-2
VALVE, OIL PRESSURE REGULATING (ENGINE)	0402-6	WORKSITE PRO QUICK-TATCH COUPLER (SERIAL NO. XXXXXX-)	3104-4
VALVE, PARK BRAKE.....	1100-2	WORKSITE PRO QUICK-TATCH CYLINDER	3104-6
VALVE, POWER TAKE-OFF BLEED	0250-16		
VALVE, PRESSURE OVERRIDE HYDROSTATIC PUMP	2161-6		
VALVE, RIDE CONTROL	3162-4		
VALVES, SOLENOID HYDRAULIC (PARK BRAKE).....	1100-2		
VAPOR CONDENSER, A/C COMPRESSOR.....	1832-2		
VAPOR CONDENSOR, A/C	1830-2		
VENT, CAB AIR	1830-4		
VENTILATING SYSTEM, ENGINE	0408-2		
VIBRATION DAMPENER, STEERING COLUMN.....	0920-2		
W			
WARNING LABELS	1322-2		
WARNING LABELS (FRENCH).....	1322-6		
WARNING LABELS (SPANISH)	1322-10		
WASHER KIT, THRUST, CRANKSHAFT (9901) (5030TT003).....	0401-12		

0110-2

WHEELS 1

POWERED WHEELS, TIRES AND FASTENINGS 0110
WHEEL RIM AND VALVE STEM
JANTE DE ROUE ET TIGE DE SOUPAPE
ARO DE RUEDA Y VASTAGO DE VALVULA

T201000 -UN-21JUN04



T201000

0110-3

WHEELS 1

POWERED WHEELS, TIRES AND FASTENINGS 0110
WHEEL RIM AND VALVE STEM
JANTE DE ROUE ET TIGE DE SOUPAPE
ARO DE RUEDA Y VASTAGO DE VALVULA

KEY	PART NO.	PART NAME	QTY.	SERIAL NO.	REMARKS
5	AT314253	RIM AND WHEEL CENTER	1		(13.00X20)
	AT314254	RIM AND WHEEL CENTER	1		(11.00 X 20)
7	AT314244	TIRE VALVE STEM	1		

0225-2

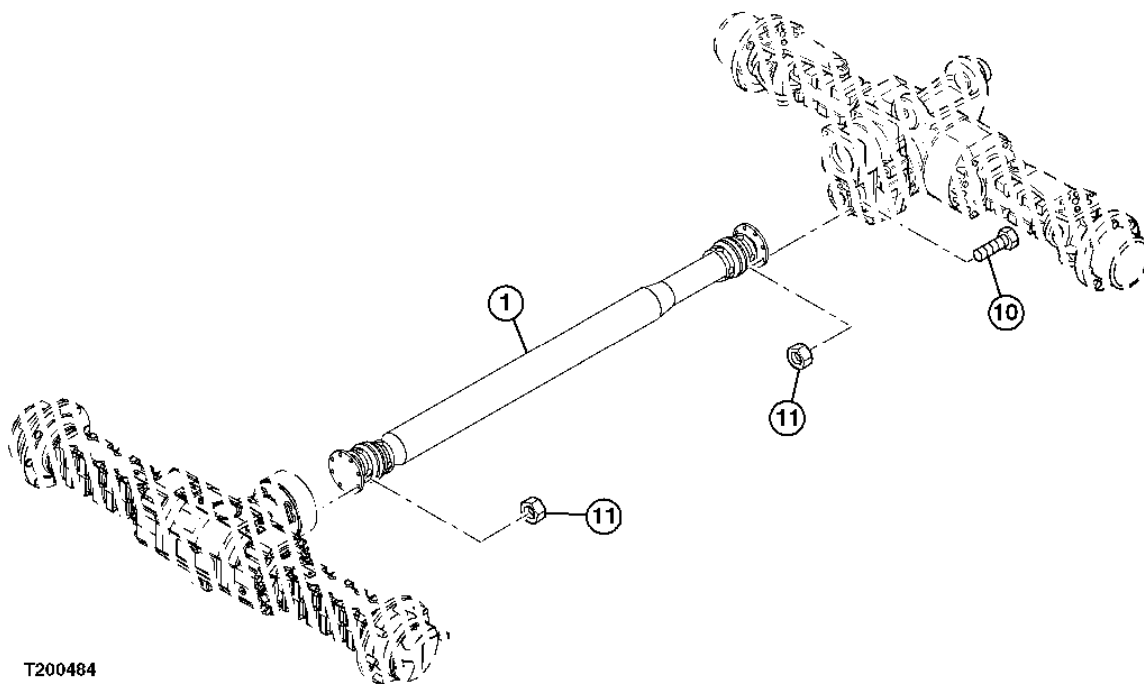
AXLES, DIFFERENTIALS & SUSPENSION SYSTEMS 2

DRIVE SHAFTS AND U-JOINTS 0225

FRONT AND REAR DRIVESHAFT ARBRE D'ENTRAINEMENT AVANT ET ARRIERE EJE IMPULSOR TRASERO Y DELANTERO

T200484

-UN-08JUN04



0225-3

AXLES, DIFFERENTIALS & SUSPENSION SYSTEMS 2

DRIVE SHAFTS AND U-JOINTS 0225

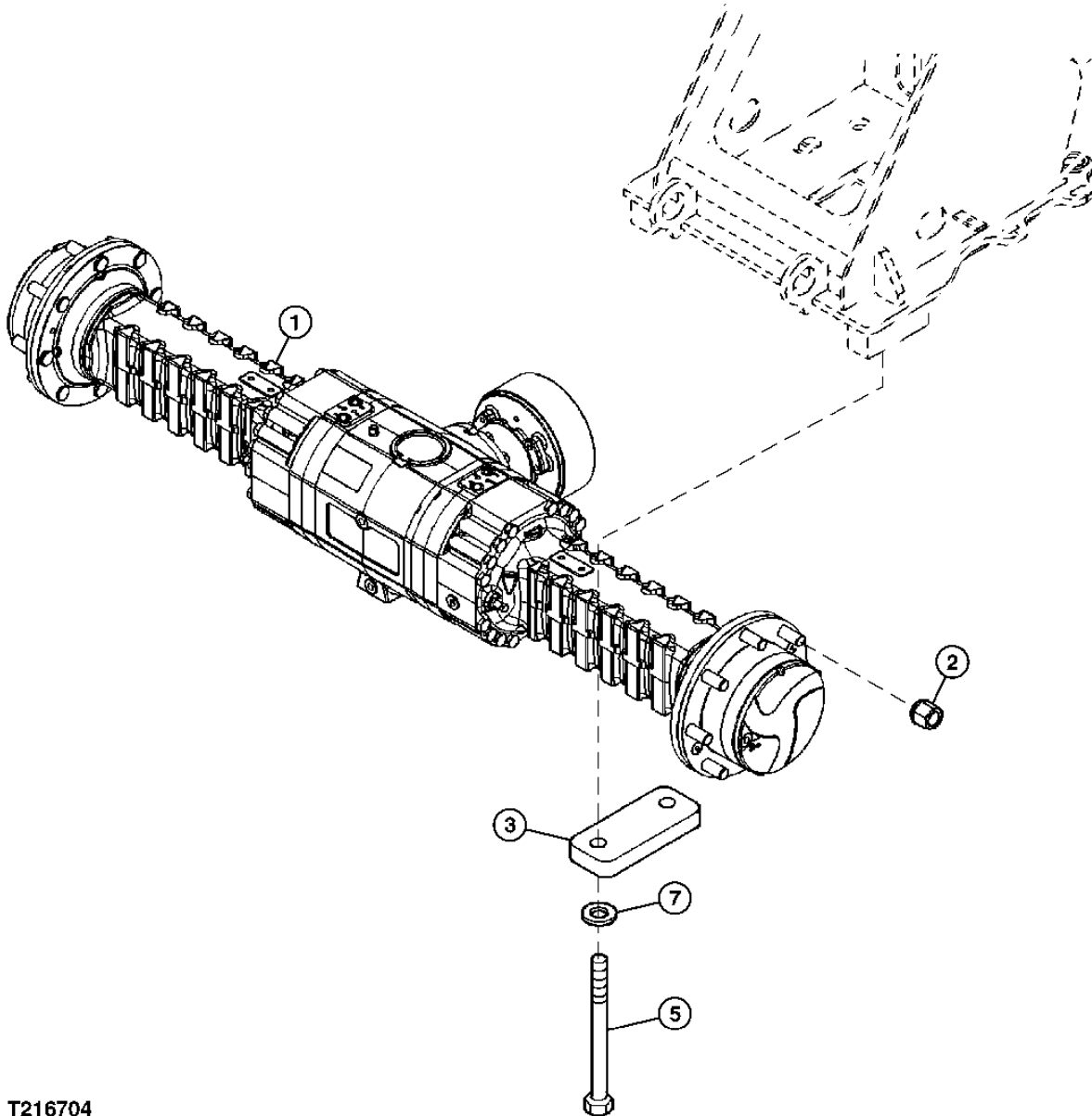
FRONT AND REAR DRIVESHAFT
ARBRE D'ENTRAINEMENT AVANT ET ARRIERE
EJE IMPULSOR TRASERO Y DELANTERO

KEY	PART NO.	PART NAME	QTY.	SERIAL NO.	REMARKS
1	AT313054	DRIVE SHAFT	1		
10	19M7662	CAP SCREW	8		M10 X 30
11	14M7520	LOCK NUT	16		M10
..	AT219274	LUBRICATION FITTING	1		

0242-2

**FRONT AXLE AND MOUNTING HARDWARE
ESSIEU AVANT ET BOULONNERIE DE MONTAGE
EJE DELANTERO Y TORNILLERIA DE MONTAJE**

T216704 -UN-26OCT05



T216704

0242-3

AXLES, DIFFERENTIALS & SUSPENSION SYSTEMS 2

AXLE MOUNTING PARTS 0242

**FRONT AXLE AND MOUNTING HARDWARE
ESSIEU AVANT ET BOULONNERIE DE MONTAGE
EJE DELANTERO Y TORNILLERIA DE MONTAJE**

KEY	PART NO.	PART NAME	QTY.	SERIAL NO.	REMARKS
1	AT314110	FRONT AXLE	1		(SUB FOR AT314109)
	AT320582	BUSHING	1		
	AT320583	INSERT	1		
2	AT218418	NUT	16		
3	AT313802	PLATE	2		
5	19M7734	CAP SCREW	4		M24 X 220
7	AT313902	WASHER	4		

0242-4

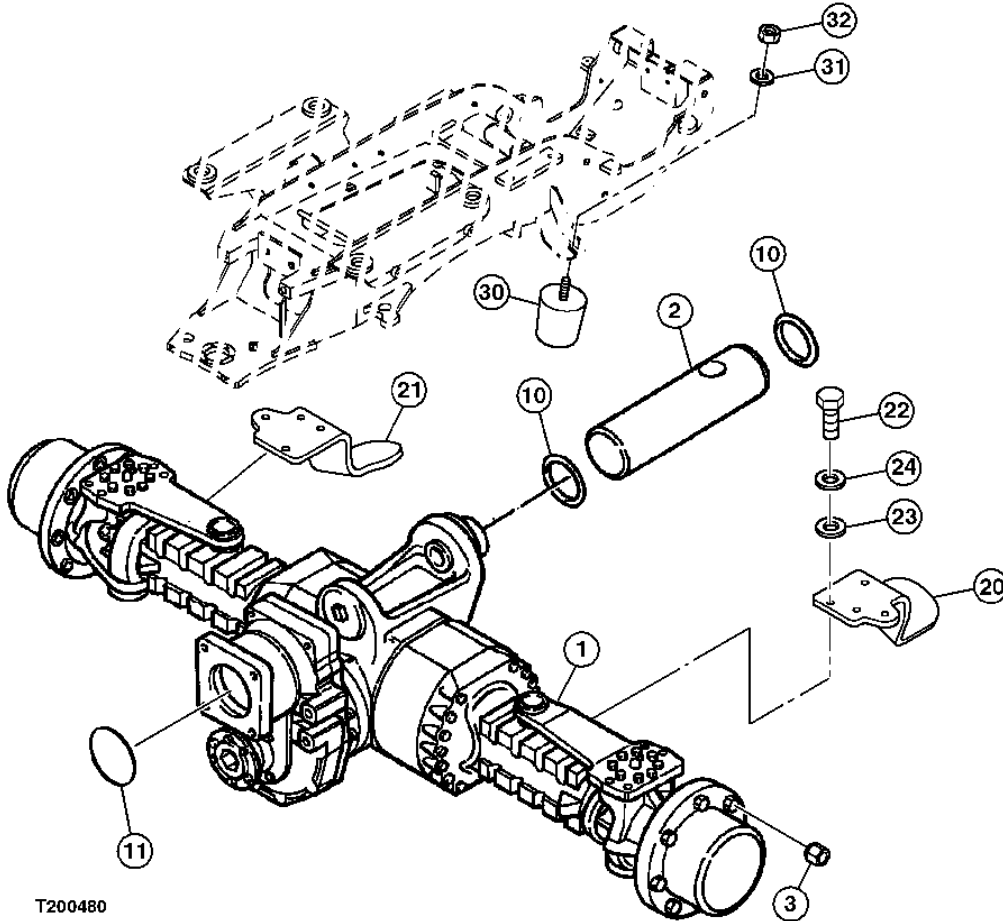
AXLES, DIFFERENTIALS & SUSPENSION SYSTEMS 2

AXLE MOUNTING PARTS 0242

REAR AXLE AND MOUNTING HARDWARE
ESSIEU ARRIERE ET BOULONNERIE DE MONTAGE
EJE TRASERO Y TORNILLERIA DE MONTAJE

T200480

-UN-08SEP04



T200480

This as a preview PDF file from best-manuals.com



Download full PDF manual at best-manuals.com