

370E, 410E, and 460E Articulated Dump Trucks

(PIN: 1DW370E__ _C668588—708124)

(PIN: 1DW370E__ _D668588—708124)

(PIN: 1DW410E__ _C668589—708124)

(PIN: 1DW410E__ _D668589—708124)

(PIN: 1DW460E__ _C668587—708124)

(PIN: 1DW460E__ _D668587—708124)



OPERATOR'S MANUAL 370E, 410E, and 460E Articulated Dump Trucks

OMT363009X19 ISSUE B2 (ENGLISH)

CALIFORNIA

Proposition 65 Warning

Diesel engine exhaust and some of its constituents are known to the State of California to cause cancer, birth defects, and other reproductive harm.

If this product contains a gasoline engine:

⚠ WARNING

The engine exhaust from this product contains chemicals known to the State of California to cause cancer, birth defects or other reproductive harm.

The State of California requires the above two warnings.

Additional Proposition 65 Warnings can be found in this manual.

**Worldwide Construction
And Forestry Division**

PRINTED IN U.S.A.

Introduction

Foreword

READ THIS MANUAL carefully to learn how to operate and service your machine correctly. Failure to do so could result in personal injury or equipment damage. This manual and safety signs on your machine may also be available in other languages. (See your John Deere dealer to order.)

THIS MANUAL SHOULD BE CONSIDERED a permanent part of your machine and should remain with the machine when you sell it.

MEASUREMENTS in this manual are given in both metric and customary U.S. unit equivalents. Use only correct replacement parts and fasteners. Metric and inch fasteners may require a specific metric or inch wrench.

RIGHT-HAND AND LEFT-HAND sides are determined by facing in the direction of forward travel.

WRITE PRODUCT IDENTIFICATION NUMBERS (P.I.N.) in the Machine Numbers section. Accurately record all the numbers to help in tracing the machine should it be stolen. Your dealer also needs these numbers when you order parts. File the identification numbers in a secure place off the machine.

WARRANTY is provided as part of John Deere's support program for customers who operate and maintain their

equipment as described in this manual. The warranty is explained on the warranty certificate or statement which you should have received from your dealer.

This warranty provides you the assurance that John Deere will back its products where defects appear within the warranty period. In some circumstances, John Deere also provides field improvements, often without charge to the customer, even if the product is out of warranty. Should the equipment be abused, or modified to change its performance beyond the original factory specifications, the warranty will become void and field improvements may be denied. Setting fuel delivery above specifications or otherwise overpowering machines will result in such action.

THE TIRE MANUFACTURER'S warranty supplied with your machine may not apply outside the U.S.

If you are not the original owner of this machine, it is in your interest to contact your local John Deere dealer to inform them of this unit's serial number. This will help John Deere notify you of any issues or product improvements.

DX,IFC7 -19-03APR09-1/1

Manual Identification—READ THIS FIRST!

IMPORTANT: Use only supporting manuals designated for your specific machine. If incorrect manual is chosen, improper service may occur. Verify product identification number (PIN) when choosing the correct manual.

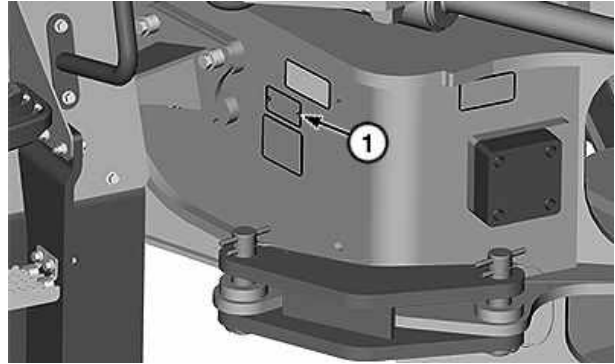
Choosing the Correct Supporting Manuals

John Deere articulated dump trucks are available in different machine configurations based on the various markets into which they are sold. Different supporting manuals exist for different machine configurations.

When necessary, product identification numbers are listed on the front covers of articulated dump truck manuals. These numbers are used to identify the correct supporting manual for your machine.

Product Identification Number

The product identification number (PIN) plate (1) is located on the left-side of equipment frame under operator's station. Each machine has a 17 character PIN (2) shown on PIN plate.



PIN Plate Location



PIN Plate

1—PIN Plate

2—17 Character PIN

TX1182089A —JUN—19JAN15

TX1116470 —JUN—22JUN12

Introduction

The PIN identifies the producing factory, machine model number, machine option, year of manufacture, engine emission level, and machine serial number.

The following is an example that meets Tier 2 and Stage II emission levels:

17-Character PIN Example																
1	2	3	4	5	6	7	8	9	10	11	12	13	14	15	16	17
1	D	W	3	7	0	E	X	-	-	C	6	6	8	5	8	8

• **(1—3) World Code:** Identifies location where machine is manufactured.

- 1T0 **World Code** (manufacturing location)
- 1DW Davenport Works
- 1T8 Thibodaux Works
- 1T0 Dubuque Works

• **(4—8) Machine Model Identifier:** Identifies model number.

370E **Machine Model Identifier**

NOTE: Characters 7—8 identify series and major machine configuration options. These characters will change from one machine to another.

X **Machine Option Code**

X..... Base Machine

• **(9) Check Letter:** This is a random character assigned by the factory. This is not used in machine identification.

- **Check Letter** (variable)

• **(10) Manufacturing Year Code:** Identifies year of machine manufacture.

- **Manufacturing Year Code** (variable)

F 2015

G 2016

H 2017

I 2018

• **(11) Engine Emission Code:** Represents engine emission certification.

C **Engine Emission Code**

C Tier 2 and Stage II

D Tier 3 and Stage III A

E Interim Tier 4 and Stage III B

F Final Tier 4 and Stage IV

• **(12—17) Machine Serial Number:** Identifies machine serial number. This character will change from one machine to another.

668588 **Machine Serial Number**

KR46761,00015DF -19-01AUG17-2/2

IMPORTANT

Warranty will not apply to engine and drivetrain failures resulting from unauthorized adjustments to this engine.

Unauthorized adjustments are in violation of the emissions regulations applicable to this engine and may result in substantial fines and penalties.

VD76477,000104D -19-27JUN12-1/1

License Agreement for John Deere Software

LICENSE AGREEMENT FOR JOHN DEERE SOFTWARE

IMPORTANT -- READ CAREFULLY: THIS LICENSE AGREEMENT IS A LEGAL CONTRACT BETWEEN YOU AND JOHN DEERE SHARED SERVICES, INC., A CORPORATION HAVING A PRINCIPAL ADDRESS OF ONE JOHN DEERE PLACE, MOLINE, IL 61265 (THE "LICENSOR"). THIS LICENSE AGREEMENT GOVERNS YOUR USE OF ANY SOFTWARE ("SOFTWARE") AND OTHER MATERIALS (INDIVIDUALLY OR COLLECTIVELY "LICENSED MATERIALS" OR "LM") ASSOCIATED WITH ANY DISPLAY, ENGINE CONTROL UNIT, INVERTER, CONTROLLER, ELECTRONICS MODULE, SENSOR, ACTUATOR, OR COMPUTING UNIT (INDIVIDUALLY OR COLLECTIVELY "LICENSED PRODUCTS" OR "LP") OF THE JOHN DEERE EQUIPMENT THAT IS NOT OTHERWISE LICENSED BY A SEPARATE WRITTEN AGREEMENT BETWEEN YOU AND LICENSOR, OR ITS AFFILIATES.

BY ACTIVATING OR OTHERWISE USING THE LP, YOU ARE ACCEPTING AND AGREEING TO THE TERMS OF THIS LICENSE AGREEMENT WITH RESPECT TO THE LM THAT HAVE BEEN PRE-INSTALLED ON YOUR LP. YOU AGREE THAT THIS LICENSE AGREEMENT, INCLUDING THE WARRANTY DISCLAIMERS, LIMITATIONS OF LIABILITY, TERMINATION, AND ARBITRATION PROVISIONS BELOW, IS BINDING UPON YOU, AND UPON ANY COMPANY ON WHOSE BEHALF YOU USE THE LM AND LP AS WELL AS THE EMPLOYEES OF ANY SUCH COMPANY (COLLECTIVELY REFERRED TO AS "YOU" IN THIS LICENSE AGREEMENT). IF YOU DO NOT AGREE TO THE TERMS OF THIS LICENSE AGREEMENT, OR IF YOU ARE NOT AUTHORIZED TO ACCEPT THESE TERMS ON BEHALF OF YOUR COMPANY OR ITS EMPLOYEES, DECLINE THESE TERMS AND CONDITIONS AND DO NOT USE THE LP OR THE JOHN DEERE EQUIPMENT. THIS LICENSE AGREEMENT REPRESENTS THE ENTIRE AGREEMENT CONCERNING THE LM BETWEEN YOU AND THE LICENSOR AND IT REPLACES ANY PRIOR PROPOSAL, REPRESENTATION, OR UNDERSTANDING BETWEEN YOU AND THE LICENSOR.

1. **Description of Software.** Your Licensed Product ("LP") comes with all Software pre-installed for operation of your John Deere Equipment. Licensed Materials ("LM") shall mean any Software, data files, documentation, engine calibration tables, proprietary data messages, and controller area network (CAN) data messages that are in or communicated to or from any LP (e.g., to monitor, diagnose, or operate the John Deere Equipment). Data files shall include but not be limited to any data structure that adjusts engine control parameters, such as fuel metering, fuel injection rate, fuel injection timing, fuel pressure, engine speed versus torque relationship, intake boost pressure, fuel-to-air ratio or engine timing.

2. **License.** Licensor hereby grants to you, and you accept, a nonexclusive license to use the LM in machine-readable, object code form, only as authorized in this License Agreement and the applicable provisions of the Operators' Manuals, which you agree to review carefully prior to using the LM. The LM may be used only on the LP in which it was initially installed and solely in conjunction with the John Deere Equipment in which it was initially installed; or, in the event of the inoperability of that LP, on a replacement LP provided to you by an authorized dealer pursuant to the Limited Warranty of Section 5. You agree that you will not assign, sublicense, transfer, pledge, lease, rent, or share your rights under this License Agreement, except that you may permanently transfer all of your rights under this License Agreement in connection with the sale of the LP or John Deere Equipment on which the LM covered by this Agreement are installed. If you sell or otherwise transfer the ownership of the LP or John Deere Equipment, you agree that you will require such transferee to accept terms no less restrictive than those in this License Agreement. This License Agreement also covers any and all hardware and additional software that may interact with the LM and/or the LP.

3. **Licensor's Rights.** You acknowledge and agree that the LM are proprietary to Licensor, or its affiliates or licensors, and is protected under copyright law, trade secret law, and laws governing confidential information. You shall maintain the confidentiality of the LM, any nonpublic information in the LM and the source code of the Software, regardless of whether the LM is labeled or marked with any proprietary legend or notice that

indicates its confidential nature. You further acknowledge and agree that all right, title, and interest in and to the Software and the LM, including associated intellectual property rights, are and shall remain with Licensor, its affiliates, and their licensors. This License Agreement does not convey to you any title or interest in or to the LM, but only a limited right of use revocable in accordance with the terms of this License Agreement.

4. **License Restrictions, Reverse Engineering.** You may not reproduce, prepare derivative works based on, disclose, publish, distribute, rent, lease, modify, loan, display, or perform the LM or any part thereof. You may not reverse engineer, decompile, translate, adapt, or disassemble the LM, nor shall you attempt to create the source code from the object code for the Software. You may not transmit the LM over any network or via a hacking device, although you may use the LM to make transmissions of diagnostic data messages that are authorized by Licensor and you may receive Software updates authorized by Licensor over any Licensor-authorized communications channel. You also agree not to permit any third party acting under your control to do any of the foregoing activities related to reverse engineering of the Licensed Materials. You agree not to remove or obliterate any copyright, trademark or other proprietary rights notices from the LM, except as expressly permitted in writing by Licensor or its licensors or expressly permitted under applicable law notwithstanding these restrictions.

5. **License Restrictions, Circumvention.** Security measures ("SM") means any of the following: technological measures under the Digital Millennium Copyright Act, copyright protection measures, application enabling mechanisms, passwords, key codes, encryption or other security devices. You agree that you will not: (a) attempt to defeat a SM or defeat a SM that protects the LM and that would constitute a violation under applicable U.S., U.K. or German law related circumvention of technological measures that protect software, copyrighted works, or other intellectual property rights, (b) purchase, manufacture, design, import, sell or distribute any circumvention or hacking device that is designed to circumvent or hack the LM or LP and that are unlawful to distribute under applicable U.S., U.K. or German law, (c) circumvent a SM that protects the LM if the circumvention can be used to access trade secrets or confidential information that is protected under applicable law; (d) apply circumvention devices or hacking devices to the LM, LP or John Deere Equipment (e.g., to bypass, temporarily or otherwise, one or more LPs) in a manner that violates any environmental

regulations, laws, safety laws, or voluntary safety standards (e.g., ISO standards) that are supported by LPs, LMs, or (e) apply any circumvention devices or hacking devices from any third parties in an attempt to reverse engineer the LM or that could be used to access trade secrets or other confidential information in the LM that is protected under applicable law. You also agree not to permit any third party acting under your control to do any of the foregoing activities related to circumvention of SM.

6. **Consideration, License Fees.** The license fees or other good and valuable consideration paid by you are paid in consideration of the licenses granted under this License Agreement.

7. **Limited Warranty.** Licensor warrants, for your benefit alone and not for the benefit of any other party, that during the "Warranty Period" defined below, the Software will operate substantially in accordance with the applicable functional specifications ("Specifications") set forth in the Operators' Manuals. If, prior to expiration of the Warranty Period, the Software fails to perform substantially in accordance with the Specifications, you may return the LP to the place of purchase for repair or replacement of the non-performing Software. As used in this License Agreement, the "Warranty Period" is one (1) year from the date you take delivery of the LP.

8. **DISCLAIMER OF WARRANTIES.** YOU HEREBY AGREE THAT THE LIMITED WARRANTY PROVIDED ABOVE (THE "LIMITED WARRANTY") CONSTITUTES YOUR SOLE AND EXCLUSIVE REMEDY FOR ANY PROBLEM WHATSOEVER WITH THE LM. EXCEPT AS PROVIDED IN THE LIMITED WARRANTY, THE LM IS LICENSED "AS IS," AND LICENSOR, ITS AFFILIATES AND THIRD PARTY SUPPLIERS EXPRESSLY DISCLAIM AND YOU EXPRESSLY WAIVE, RELEASE AND RENOUNCE ALL WARRANTIES ARISING BY LAW OR OTHERWISE WITH RESPECT TO THE LM, INCLUDING, BUT NOT LIMITED TO: ANY IMPLIED WARRANTY OF MERCHANTABILITY OR FITNESS FOR A PARTICULAR PURPOSE; ANY IMPLIED WARRANTY ARISING FROM COURSE OF PERFORMANCE, COURSE OF DEALING OR TRADE USAGE; ANY WARRANTY OF TITLE OR NON-INFRINGEMENT; AND, ANY OTHER WARRANTY ARISING UNDER ANY THEORY OF LAW, INCLUDING TORT, NEGLIGENCE, STRICT LIABILITY, CONTRACT OR OTHER LEGAL OR EQUITABLE THEORY. NO REPRESENTATION OR OTHER AFFIRMATION OF FACT INCLUDING, BUT NOT LIMITED TO, STATEMENTS REGARDING SUITABILITY FOR USE, SHALL BE DEEMED TO BE A WARRANTY BY LICENSOR OR ANY OF ITS AFFILIATES OR THIRD PARTY SUPPLIERS. LICENSOR DOES NOT WARRANT THAT THE LM AND/OR LP IS ERROR-FREE OR WILL OPERATE WITHOUT INTERRUPTION.

9. **LIMITATION OF LIABILITY.** EXCEPT AS SET FORTH IN THE LIMITED WARRANTY, UNDER NO CIRCUMSTANCES SHALL LICENSOR, ITS AFFILIATES OR ITS THIRD PARTY SUPPLIERS BE LIABLE TO YOU OR TO ANY THIRD PARTIES FOR DIRECT, INDIRECT, INCIDENTAL OR CONSEQUENTIAL DAMAGES OF ANY KIND, INCLUDING ANY LOSS OR DAMAGE CAUSED BY THE LM; ANY PARTIAL OR TOTAL FAILURE OF THE LM; PERFORMANCE, NONPERFORMANCE OR DELAYS IN CONNECTION WITH

ANY INSTALLATION, MAINTENANCE, WARRANTY OR REPAIRS OF THE LM, DAMAGES FOR CROP LOSS, DAMAGE TO LAND, DAMAGE TO MACHINES, LOST PROFITS, LOSS OF BUSINESS OR LOSS OF GOODWILL, LOSS OF USE OF EQUIPMENT OR SERVICES OR DAMAGES TO BUSINESS OR REPUTATION ARISING FROM THE PERFORMANCE OR NON-PERFORMANCE OF ANY ASPECT OF THE SOFTWARE, LM OR LP, WHETHER IN CONTRACT, TORT OR OTHERWISE, AND WHETHER OR NOT LICENSOR, ITS AFFILIATES OR ITS THIRD PARTY SUPPLIERS HAVE BEEN ADVISED OF THE POSSIBILITY OF SUCH DAMAGES. IN NO EVENT SHALL LICENSOR'S CUMULATIVE LIABILITY TO YOU OR TO ANY OTHER PARTY FOR ANY LOSSES OR DAMAGES RESULTING FROM ANY CLAIMS, LAWSUITS, DEMANDS, OR ACTIONS ARISING FROM OR RELATING TO USE OF THE LM EXCEED YOUR TOTAL PAYMENT FOR THE LP AND FOR THE LICENSE OF THE LM.

10. **Software Maintenance.** Licensor may, at its sole option, offer you maintenance of the Software, even though the Warranty Period has expired. Such maintenance may include providing modifications, corrections or enhancements ("Upgrades") to the Software and/or the applicable Operators' Manuals. Licensor reserves the right, in its sole discretion, to charge you for maintenance (except in cases where corrections are provided under the Limited Warranty). Your acceptance of this License Agreement constitutes your agreement that any Upgrades will be deemed included in the Software as defined in this License Agreement and that they shall be governed by the terms and conditions applicable to the LM under this License Agreement.

11. **Termination of License.** Licensor may terminate the license granted under this License Agreement upon written notice of termination provided to you if you violate any material term of this License Agreement pertaining to your use of the LM or Licensor's rights, including, without limitation, the provisions of Sections 2 and 3 above.

12. **Compliance with Law.** You agree that you will use the LM in accordance with United States law and the laws of the country in which you are located, as applicable, including foreign trade control laws and regulations. The LM may be subject to export and other foreign trade controls restricting re-sales and/or transfers to other countries and parties. By accepting the terms of this License Agreement, you acknowledge that you understand that the LM may be so controlled, including, but not limited to, by the Export Administration Regulations and/or the foreign trade control regulations of the Treasury Department of the United States. The LM remains subject to applicable U.S. laws.

11. **Indemnification.** You agree to defend, indemnify and hold Licensor, its affiliates and third party supplier, and their, officers, directors, employees, agents and representatives (each an "Indemnified Party"), harmless from and against all claims, demands proceedings, injuries, liabilities, losses, or costs and expenses (including reasonable legal fees) brought by any third party against any such persons arising from or in connection with your use of the LM, regardless of whether such losses are caused, wholly or partially, by any negligence, breach of contract or other fault of an Indemnified Party.

12. **Trademark.** Licensor does not grant you any right, license, or interest to any Licensor trademarks, symbols, marks or names (collectively "Marks") or any trademarks that confusingly similar to the Marks and you agree that no such right, license, or interest shall be asserted by you with respect to such Marks.

13. **Costs of Litigation.** If any claim or action is brought by either party to this License Agreement against the other party regarding the subject matter hereof, the prevailing party shall be entitled to recover, in

Introduction

addition to any other relief granted, reasonable attorney, arbitrators, and dispute resolution center administrative fees and expenses of litigation.

14. **Severability and Waiver.** Should any term or provision of this License Agreement be declared void or unenforceable by any court of competent jurisdiction, such declaration shall have no effect on the remaining terms and remaining provisions hereof. The failure of either party to enforce any rights granted hereunder or to take action against the other party in the event of any breach hereunder shall not be deemed a waiver by that party as to subsequent enforcement of rights of subsequent actions in the event of future breaches.

15. **Language Clause.** Unless the laws of the location in which you reside require otherwise, the parties hereby acknowledge that they have required this License Agreement, and all other documents relating hereto, be drawn up in the English language only. There may be a translated version of this License Agreement. If there is an inconsistency or contradiction between the translated version and the English version of this License Agreement, the English version of this License Agreement shall control unless the laws of the location in which you reside require that a different version control. The parties acknowledge and agree that they have required that this agreement be prepared in the English language. Les parties reconnaissent avoir exigé que les présentes soient rédigées en langue anglaise.

16. **Assignment by Licensor.** Licensor may assign this License Agreement without your prior consent to any company or entity affiliated with Licensor, or by an assignment associated with a corporate restructuring, merger or acquisition.

17. **Governing Law and Forum.** This License Agreement will be governed by and construed in accordance with the substantive laws in force in the State of Illinois, U.S.A. The respective courts of Rock Island County, Illinois have exclusive jurisdiction over all disputes relating to this License Agreement. This License Agreement will not be governed by the conflict of law rules of any jurisdiction or the United Nations Convention on Contracts for the International Sale of Goods, the application of which is expressly excluded.

18. **Arbitration.** IF YOU RESIDE IN A JURISDICTION WHEREIN THE ENFORCEABILITY OF THE TERMS OF SECTION 17 IS DEPENDENT UPON THE PARTIES AGREEING TO SUBMIT TO ARBITRATION, THEN ANY CONTROVERSY OR CLAIM ARISING OUT OF OR RELATING TO THIS LICENSE AGREEMENT SHALL BE DETERMINED BY ARBITRATION IN ACCORDANCE WITH THE INTERNATIONAL ARBITRATION RULES OF THE INTERNATIONAL CENTRE FOR DISPUTE RESOLUTION ("ICDR") IN EFFECT AT THE TIME OF ITS INITIATION. THE ARBITRATION SHALL BE HELD BEFORE ONLY ONE ARBITRATOR APPOINTED BY THE ICDR. THE PLACE OF ARBITRATION SHALL BE CHICAGO, ILLINOIS, USA AND THE LANGUAGE OF THE ARBITRATION SHALL BE ENGLISH.

19. **Representations of Licensee.** BY ACCEPTING THIS AGREEMENT, YOU: (A) ACKNOWLEDGE THAT YOU HAVE READ AND UNDERSTAND THIS AGREEMENT; (B)

REPRESENT THAT YOU HAVE THE AUTHORITY TO ENTER INTO THIS AGREEMENT; (C) AGREE THAT THIS AGREEMENT IS ENFORCEABLE AGAINST YOU AND ANY LEGAL ENTITY THAT OBTAINED THE LM AND ON WHOSE BEHALF IT IS USED; AND, (D) AGREE TO PERFORM THE OBLIGATIONS OF THIS AGREEMENT.

20. **Notices.** All notices to Licensor shall be sent by certified or registered mail to John Deere Shared Services, Inc., One John Deere Place, Moline, IL 61265 U.S.A. All notices to Licensor shall be effective upon receipt. All notices required to be given to you shall, in Licensor's sole discretion, either be sent via certified or registered mail to the address given to Licensor, a John Deere dealer, or another distribution partner of Licensor in connection with your purchase of the LP and/or John Deere Equipment. Either method of notification used by Licensor shall be effective upon dispatch. You agree to notify Licensor of any change in your address in the manner set forth above.

21. **Third Party Software Notifications and Licenses.** The copyrights for certain portions of the Software may be owned or licensed by other third parties ("Third Party Software") and used and distributed under license. The Third Party Notices includes the acknowledgements, notices and licenses for the Third Party Software. The Third Party Notices are included with the distribution of this License Agreement on the display. If you are unable to locate these Third Party Notices, please write to us at the address below. The Third Party Software is licensed according to the applicable Third Party Software license notwithstanding anything to the contrary in this Agreement. If the Third Party Software contains copyrighted software that is licensed under the GPL/LGPL or other copyleft licenses, copies of those licenses are included in the Third Party Notices. You may obtain the complete corresponding source code for such Third Party Software from us for a period of three years after our last shipment of the Software by sending a request letter to:

Deere Open Source Compliance Team
P.O. Box 1202
Moline, IL 61266-1202
USA

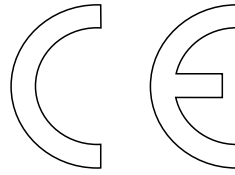
Please include name of the product and the version number of the software in the request letter. This offer is valid to anyone in receipt of this information.

Conformity Marking for European Union (EU) and Eurasian Economic Union (EAEU)

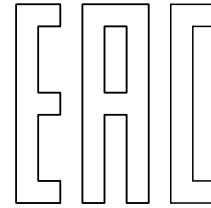
TX1219407 —UN—18JUL16

TX1219405 —UN—18JUL16

NOTE: Some or all machine models listed on the front cover of this manual are available in optional factory configurations that meet or exceed European Union (EU) or Eurasian Economic Union (EAEU) conformity requirements.



European Union (EU)

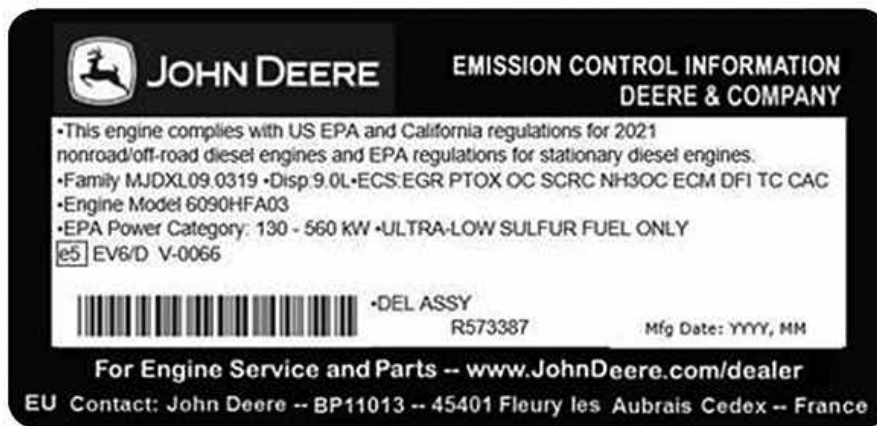


Eurasian Economic Union (EAEU)

To validate conformance of a particular machine for sale into the EU or EAEU markets, check for the applicable marking on the machine, or see an authorized John Deere dealer.

MB60223,0000023 -19-19JUL16-1/1

Emissions Control System Certification Label



Engine Emissions Label

RG33429 —UN—04FEB21

CAUTION: Statutes providing severe penalties for tampering with emissions controls may apply to the user or dealer.

The emissions warranty applies to those engines marketed by John Deere that have been certified by the United States Environmental Protection Agency (EPA) and/or California Air Resources Board (CARB); and used in the United States and Canada in Non-road equipment. The presence of an emissions label like the one shown signifies that the engine has been certified with the EPA and/or CARB. The EPA and CARB warranties only apply to new engines having the certification label affixed to the engine and sold as stated above in the geographic areas. The presence of an EU number signifies that the engine has been certified with the European Union countries per Regulation (EU) 2016/1628 and supplementing legislation. The EPA and/or CARB emissions warranties do not apply to the EU countries.

The emissions label has applicable US EPA and/or CARB regulatory year. The regulatory year determines which warranty statement is applicable to engine. See “EPA Non-road Emissions Control Warranty Statement—Compression Ignition” and “CARB Non-road Emissions Control Warranty Statement—Compression Ignition”. For additional regulatory year warranty statements, see www.JohnDeere.com or contact the nearest John Deere service dealer for assistance.

Emission Control System(s) Laws

The U.S. EPA and California ARB prohibit the removal or rendering inoperative of any device or element of design installed on or in engines/equipment in compliance with applicable emission regulations prior to or after the sale and delivery of the engines/equipment to the ultimate purchaser.

DX,EMISSIONS_LABEL -19-05FEB21-1/1

EPA Non-road Emissions Control Warranty Statement—Compression Ignition

DXLOGOV1 —UN—28APR09



JOHN DEERE

U.S. AND CANADA EMISSION CONTROL WARRANTY STATEMENT YOUR WARRANTY RIGHTS AND OBLIGATIONS

To determine if the John Deere engine qualifies for the additional warranties set forth below, look for the "Emissions Control Information" label located on the engine. If the engine is operated in the United States or Canada and the Emissions Control information label states: "This engine complies with US EPA regulations for nonroad and stationary diesel engines", or "This engine conforms to US EPA nonroad compression-ignition regulations", refer to the "U.S. and Canada Emission Control Warranty Statement." If the engine is operated in California, and the label states: "This engine complies with US EPA and CARB regulations for nonroad diesel engines", or "This engine conforms to US EPA and California nonroad compression-ignition emission regulations", also refer to the "California Emission Control Warranty Statement."

Warranties stated on this certificate refer only to emissions-related parts and components of your engine. The complete engine warranty, less emissions-related parts and components, is provided separately. If you have any questions about your warranty rights and responsibilities, you should contact John Deere at 1-319-292-5400.

JOHN DEERE'S WARRANTY RESPONSIBILITY

John Deere warrants to the ultimate purchaser and each subsequent purchaser that this off-road diesel engine including all parts of its emission-control system was designed, built and equipped so as to conform at the time of the sale with Section 213 of the Clean Air Act and is free from defects in materials and workmanship which would cause the engine to fail to conform with applicable US EPA regulations for a period of five years from the date the engine is placed into service or 3,000 hours of operation, whichever first occurs.

Where a warrantable condition exists, John Deere will repair or replace, as it elects, any part or component with a defect in materials or workmanship that would increase the engine's emissions of any regulated pollutant within the stated warranty period at no cost to you, including expenses related to diagnosing and repairing or replacing emission-related parts. Warranty coverage is subject to the limitations and exclusions set forth herein. Emission-related components include engine parts developed to control emissions related to the following:

Air-Induction System

Fuel System

Ignition System

Exhaust Gas Recirculation Systems

Aftertreatment Devices

Crankcase Ventilation Valves

Sensors

Engine Electronic Control Units

EMISSION WARRANTY EXCLUSIONS

John Deere may deny warranty claims for malfunctions or failures caused by:

- Non-performance of maintenance requirements listed in the Operator's Manual
- The use of the engine/equipment in a manner for which it was not designed
- Abuse, neglect, improper maintenance or unapproved modifications or alterations
- Accidents for which it does not have responsibility or by acts of God

The off-road diesel engine is designed to operate on diesel fuel as specified in the Fuels, Lubricants and Coolants section in the Operators Manual. Use of any other fuel can harm the emissions control system of the engine/equipment and is not approved for use.

To the extent permitted by law John Deere is not liable for damage to other engine components caused by a failure of an emission-related part, unless otherwise covered by standard warranty.

THIS WARRANTY IS EXPRESSLY IN LIEU OF ANY OTHER WARRANTIES, EXPRESS OR IMPLIED, INCLUDING ANY WARRANTY OF MERCHANTABILITY OR FITNESS FOR A PARTICULAR PURPOSE. REMEDIES UNDER THIS WARRANTY ARE LIMITED TO THE PROVISIONS OF MATERIAL AND SERVICES AS SPECIFIED HEREIN. WHERE PERMITTED BY LAW, NEITHER JOHN DEERE NOR ANY AUTHORIZED JOHN DEERE ENGINE DISTRIBUTOR, DEALER, OR REPAIR FACILITY OR ANY COMPANY AFFILIATED WITH JOHN DEERE WILL BE LIABLE FOR INCIDENTAL OR CONSEQUENTIAL DAMAGES.

Emission_CI_EPA (18Dec09)

Continued on next page

DX,EMISSIONS,EPA -19-12DEC12-1/2



JOHN DEERE

**U.S. AND CANADA EMISSION CONTROL WARRANTY STATEMENT
YOUR WARRANTY RIGHTS AND OBLIGATIONS**

To determine if the John Deere engine qualifies for the additional warranties set forth below, look for the "Emissions Control Information" label located on the engine. If the engine is operated in the United States or Canada and the Emissions Control information label states: "This engine complies with US EPA regulations for nonroad and stationary diesel engines", or "This engine conforms to US EPA nonroad compression-ignition regulations", refer to the "U.S. and Canada Emission Control Warranty Statement." If the engine is operated in California, and the label states: "This engine complies with US EPA and CARB regulations for nonroad diesel engines", or "This engine conforms to US EPA and California nonroad compression-ignition emission regulations", also refer to the "California Emission Control Warranty Statement."

Warranties stated on this certificate refer only to emissions-related parts and components of your engine. The complete engine warranty, less emissions-related parts and components, is provided separately. If you have any questions about your warranty rights and responsibilities, you should contact John Deere at 1-319-292-5400.

JOHN DEERE'S WARRANTY RESPONSIBILITY

John Deere warrants to the ultimate purchaser and each subsequent purchaser that this off-road diesel engine including all parts of its emission-control system was designed, built and equipped so as to conform at the time of the sale with Section 213 of the Clean Air Act and is free from defects in materials and workmanship which would cause the engine to fail to conform with applicable US EPA regulations for a period of five years from the date the engine is placed into service or 3,000 hours of operation, whichever first occurs.

Where a warrantable condition exists, John Deere will repair or replace, as it elects, any part or component with a defect in materials or workmanship that would increase the engine's emissions of any regulated pollutant within the stated warranty period at no cost to you, including expenses related to diagnosing and repairing or replacing emission-related parts. Warranty coverage is subject to the limitations and exclusions set forth herein. Emission-related components include engine parts developed to control emissions related to the following:

Air-Induction System
Fuel System
Ignition System
Exhaust Gas Recirculation Systems

Aftertreatment Devices
Crankcase Ventilation Valves
Sensors
Engine Electronic Control Units

EMISSION WARRANTY EXCLUSIONS

John Deere may deny warranty claims for malfunctions or failures caused by:

- Non-performance of maintenance requirements listed in the Operator's Manual
- The use of the engine/equipment in a manner for which it was not designed
- Abuse, neglect, improper maintenance or unapproved modifications or alterations
- Accidents for which it does not have responsibility or by acts of God

The off-road diesel engine is designed to operate on diesel fuel as specified in the Fuels, Lubricants and Coolants section in the Operators Manual. Use of any other fuel can harm the emissions control system of the engine/equipment and is not approved for use.

To the extent permitted by law John Deere is not liable for damage to other engine components caused by a failure of an emission-related part, unless otherwise covered by standard warranty.

THIS WARRANTY IS EXPRESSLY IN LIEU OF ANY OTHER WARRANTIES, EXPRESS OR IMPLIED, INCLUDING ANY WARRANTY OF MERCHANTABILITY OR FITNESS FOR A PARTICULAR PURPOSE. REMEDIES UNDER THIS WARRANTY ARE LIMITED TO THE PROVISIONS OF MATERIAL AND SERVICES AS SPECIFIED HEREIN. WHERE PERMITTED BY LAW, NEITHER JOHN DEERE NOR ANY AUTHORIZED JOHN DEERE ENGINE DISTRIBUTOR, DEALER, OR REPAIR FACILITY OR ANY COMPANY AFFILIATED WITH JOHN DEERE WILL BE LIABLE FOR INCIDENTAL OR CONSEQUENTIAL DAMAGES.

Emission_CI_EPA (18Dec09)

TS1721—UN—15JUL13

CARB Non-road Emissions Control Warranty Statement—Compression Ignition

Emissions Control Warranty Statement 2019 through 2021

DXLOGOV1 —UN—28APR09



JOHN DEERE

CALIFORNIA EMISSIONS CONTROL WARRANTY STATEMENT YOUR WARRANTY RIGHTS AND OBLIGATIONS

To determine if the John Deere engine qualifies for the additional warranties set forth below, look for the “Emission Control Information” label located on the engine. If the engine is operated in the United States or Canada and the engine label states: “This engine complies with US EPA regulations for nonroad and stationary diesel engines”, or “This engine complies with US EPA regulations for stationary emergency diesel engines”, refer to the “U.S. and Canada Emission Control Warranty Statement.” If the engine is operated in California, and the engine label states: “This engine complies with US EPA and CARB regulations for nonroad diesel engines” also refer to the “California Emissions Control Warranty Statement.”

Warranties stated on this certificate refer only to emissions-related parts and components of your engine. The complete engine warranty, less emission-related parts and components, is provided separately. If you have any questions about your warranty rights and responsibilities, you should contact John Deere at 1-319-292-5400.

CALIFORNIA EMISSIONS CONTROL WARRANTY STATEMENT:

The California Air Resources Board (CARB) is pleased to explain the emission-control system warranty on 2019 through 2021 off-road diesel engines. In California, new off-road engines must be designed, built and equipped to meet the State’s stringent anti-smog standards. John Deere must warrant the emission control system on your engine for the periods of time listed below provided there has been no abuse, neglect or improper maintenance of your engine.

Your emission control system may include parts such as the fuel injection system and the air induction system. Also included may be hoses, belts, connectors and other emission-related assemblies.

John Deere warrants to the ultimate purchaser and each subsequent purchaser that this off-road diesel engine was designed, built, and equipped so as to conform at the time of sale with all applicable regulations adopted by CARB and is free from defects in materials and workmanship which would cause the failure of a warranted part to be identical in all material respects to the part as described in John Deere’s application for certification for a period of five years from the date the engine is delivered to an ultimate purchaser or 3,000 hours of operation, whichever occurs first for all engines rated at 19 kW and greater. In the absence of a device to measure hours of use, the engine shall be warranted for a period of five years.

EMISSIONS WARRANTY EXCLUSIONS:

John Deere may deny warranty claims for failures caused by the use of an add-on or modified part which has not been exempted by the CARB. A modified part is an aftermarket part intended to replace an original emission-related part which is not functionally identical in all respects and which in any way affects emissions. An add-on part is any aftermarket part which is not a modified part or a replacement part.

In no event will John Deere, any authorized engine distributor, dealer, or repair facility, or any company affiliated with John Deere be liable for incidental or consequential damage.

Introduction

JOHN DEERE'S WARRANTY RESPONSIBILITY:

Where a warrantable condition exists, John Deere will repair or replace, as it elects, your off-road diesel engine at no cost to you, including diagnosis, parts or labor. Warranty coverage is subject to the limitations and exclusions set forth herein. The off-road diesel engine is warranted for a period of five years from the date the engine is delivered to an ultimate purchaser or 3,000 hours of operation, whichever occurs first. The following are emissions-related parts:

Air Induction System

- Intake manifold
- Turbocharger
- Charge air cooler

Fuel Metering system

- Fuel injection system

Exhaust Gas Recirculation

- EGR valve

Catalyst or Thermal Reactor Systems

- Catalytic converter
- Exhaust manifold

Emission control labels

Particulate Controls

- Any device used to capture particulate emissions
- Any device used in the regeneration of the capturing system
- Enclosures and manifolding
- Smoke Puff Limiters

Positive Crankcase Ventilation (PCV) System

- PCV valve
- Oil filler cap

Advanced Oxides of Nitrogen (NOx) Controls

- NOx absorbers and catalysts

SCR systems and urea containers/dispensing systems

Miscellaneous Items used in Above Systems

- Electronic control units, sensors, actuators, wiring harnesses, hoses, connectors, clamps, fittings, gasket, mounting hardware

Any warranted emissions-related part scheduled for replacement as required maintenance is warranted by John Deere for the period of time prior to the first scheduled replacement point for the part. Any warranted emissions-related part not scheduled for replacement as required maintenance or scheduled only for regular inspection is warranted by John Deere for the stated warranty period.

OWNER'S WARRANTY RESPONSIBILITIES:

As the off-road diesel engine owner you are responsible for the performance of the required maintenance listed in your Operator's Manual. John Deere recommends that the owner retain all receipts covering maintenance on the off-road diesel engine, but John Deere cannot deny warranty solely for the lack of receipts or for the owner's failure to ensure the performance of all scheduled maintenance. However, as the off-road diesel engine owner, you should be aware that John Deere may deny you warranty coverage if your off-road diesel engine or a part has failed due to abuse, neglect, improper maintenance or unapproved modifications.

The off-road diesel engine is designed to operate on diesel fuel as specified in the Fuels, Lubricants and Coolants section in the Operators Manual. Use of any other fuel may result in the engine no longer operating in compliance with applicable emissions requirements.

The owner is responsible for initiating the warranty process, and should present the machine to the nearest authorized John Deere dealer as soon as a problem is suspected. The warranty repairs should be completed by the authorized John Deere dealer as quickly as possible.

Emissions regulations require the customer to bring the unit to an authorized servicing dealer when warranty service is required. As a result, John Deere is NOT liable for travel or mileage on emissions warranty service calls.

Emission_CI_CARB (01Feb17)

Continued on next page

DX,EMISSIONS,CARB -19-26AUG20-2/8

Emissions Control Warranty Statement 2019 through 2021

DXLOGOV1 —UN—28APR09



JOHN DEERE

CALIFORNIA EMISSIONS CONTROL WARRANTY STATEMENT YOUR WARRANTY RIGHTS AND OBLIGATIONS

To determine if the John Deere engine qualifies for the additional warranties set forth below, look for the "Emission Control Information" label located on the engine. If the engine is operated in the United States or Canada and the engine label states: "This engine complies with US EPA regulations for nonroad and stationary diesel engines", or "This engine complies with US EPA regulations for stationary emergency diesel engines", refer to the "U.S. and Canada Emission Control Warranty Statement." If the engine is operated in California, and the engine label states: "This engine complies with US EPA and CARB regulations for nonroad diesel engines" also refer to the "California Emissions Control Warranty Statement."

Warranties stated on this certificate refer only to emissions-related parts and components of your engine. The complete engine warranty, less emission-related parts and components, is provided separately. If you have any questions about your warranty rights and responsibilities, you should contact John Deere at 1-319-292-5400.

CALIFORNIA EMISSIONS CONTROL WARRANTY STATEMENT:

The California Air Resources Board (CARB) is pleased to explain the emission-control system warranty on 2019 through 2021 off-road diesel engines. In California, new off-road engines must be designed, built and equipped to meet the State's stringent anti-smog standards. John Deere must warrant the emission control system on your engine for the periods of time listed below provided there has been no abuse, neglect or improper maintenance of your engine.

Your emission control system may include parts such as the fuel injection system and the air induction system. Also included may be hoses, belts, connectors and other emission-related assemblies.

John Deere warrants to the ultimate purchaser and each subsequent purchaser that this off-road diesel engine was designed, built, and equipped so as to conform at the time of sale with all applicable regulations adopted by CARB and is free from defects in materials and workmanship which would cause the failure of a warranted part to be identical in all material respects to the part as described in John Deere's application for certification for a period of five years from the date the engine is delivered to an ultimate purchaser or 3,000 hours of operation, whichever occurs first for all engines rated at 19 kW and greater. In the absence of a device to measure hours of use, the engine shall be warranted for a period of five years.

EMISSIONS WARRANTY EXCLUSIONS:

John Deere may deny warranty claims for failures caused by the use of an add-on or modified part which has not been exempted by the CARB. A modified part is an aftermarket part intended to replace an original emission-related part which is not functionally identical in all respects and which in any way affects emissions. An add-on part is any aftermarket part which is not a modified part or a replacement part.

In no event will John Deere, any authorized engine distributor, dealer, or repair facility, or any company affiliated with John Deere be liable for incidental or consequential damage.

Continued on next page

DX,EMISSIONS,CARB -19-26AUG20-3/8

RG29280 —UN—02FEB17

Introduction

JOHN DEERE'S WARRANTY RESPONSIBILITY:

Where a warrantable condition exists, John Deere will repair or replace, as it elects, your off-road diesel engine at no cost to you, including diagnosis, parts or labor. Warranty coverage is subject to the limitations and exclusions set forth herein. The off-road diesel engine is warranted for a period of five years from the date the engine is delivered to an ultimate purchaser or 3,000 hours of operation, whichever occurs first. The following are emissions-related parts:

Air Induction System

- Intake manifold
- Turbocharger
- Charge air cooler

Fuel Metering system

- Fuel injection system

Exhaust Gas Recirculation

- EGR valve

Catalyst or Thermal Reactor Systems

- Catalytic converter
- Exhaust manifold

Emission control labels

Particulate Controls

- Any device used to capture particulate emissions
- Any device used in the regeneration of the capturing system
- Enclosures and manifolding
- Smoke Puff Limiters

Positive Crankcase Ventilation (PCV) System

- PCV valve
- Oil filler cap

Advanced Oxides of Nitrogen (NOx) Controls

- NOx absorbers and catalysts

SCR systems and urea containers/dispensing systems

Miscellaneous Items used in Above Systems

- Electronic control units, sensors, actuators, wiring harnesses, hoses, connectors, clamps, fittings, gasket, mounting hardware

Any warranted emissions-related part scheduled for replacement as required maintenance is warranted by John Deere for the period of time prior to the first scheduled replacement point for the part. Any warranted emissions-related part not scheduled for replacement as required maintenance or scheduled only for regular inspection is warranted by John Deere for the stated warranty period.

OWNER'S WARRANTY RESPONSIBILITIES:

As the off-road diesel engine owner you are responsible for the performance of the required maintenance listed in your Operator's Manual. John Deere recommends that the owner retain all receipts covering maintenance on the off-road diesel engine, but John Deere cannot deny warranty solely for the lack of receipts or for the owner's failure to ensure the performance of all scheduled maintenance. However, as the off-road diesel engine owner, you should be aware that John Deere may deny you warranty coverage if your off-road diesel engine or a part has failed due to abuse, neglect, improper maintenance or unapproved modifications.

The off-road diesel engine is designed to operate on diesel fuel as specified in the Fuels, Lubricants and Coolants section in the Operators Manual. Use of any other fuel may result in the engine no longer operating in compliance with applicable emissions requirements.

The owner is responsible for initiating the warranty process, and should present the machine to the nearest authorized John Deere dealer as soon as a problem is suspected. The warranty repairs should be completed by the authorized John Deere dealer as quickly as possible.

Emissions regulations require the customer to bring the unit to an authorized servicing dealer when warranty service is required. As a result, John Deere is NOT liable for travel or mileage on emissions warranty service calls.

Emission_CI_CARB (01Feb17)

Continued on next page

DX,EMISSIONS,CARB -19-26AUG20-4/8

RG29281 —UN—27FEB17

Emissions Control Warranty Statement 2022 through 2024

DXLOGOV1 —UN—28APR09



JOHN DEERE

CALIFORNIA EMISSIONS CONTROL WARRANTY STATEMENT YOUR WARRANTY RIGHTS AND OBLIGATIONS

To determine if the John Deere engine qualifies for the additional warranties set forth below, look for the “Emission Control Information” label located on the engine. If the engine is operated in the United States or Canada and the engine label states: “This engine complies with US EPA regulations for nonroad and stationary diesel engines”, or “This engine complies with US EPA regulations for stationary emergency diesel engines”, refer to the “U.S. and Canada Emission Control Warranty Statement.” If the engine is operated in California, and the engine label states: “This engine complies with US EPA and California regulations for nonroad/off-road diesel engines” also refer to the “California Emissions Control Warranty Statement.”

Warranties stated on this certificate refer only to emissions-related parts and components of your engine. The complete engine warranty, less emission-related parts and components, is provided separately. If you have any questions about your warranty rights and responsibilities, you should contact John Deere at 1-319-292-5400.

CALIFORNIA EMISSIONS CONTROL WARRANTY STATEMENT:

The California Air Resources Board (CARB) is pleased to explain the emission-control system warranty on 2022 through 2024 off-road diesel engines. In California, new off-road engines must be designed, built and equipped to meet the State’s stringent anti-smog standards. John Deere must warrant the emission control system on your engine for the periods of time listed below provided there has been no abuse, neglect or improper maintenance of your engine.

Your emission control system may include parts such as the fuel injection system and the air induction system. Also included may be hoses, belts, connectors and other emission-related assemblies.

John Deere warrants to the ultimate purchaser and each subsequent purchaser that this off-road diesel engine was designed, built, and equipped so as to conform at the time of sale with all applicable regulations adopted by CARB. John Deere warrants that this engine is free from defects in materials and workmanship which would cause the failure of emissions warranted parts to be identical in all material respects to the part as described in John Deere’s application for certification for a period of five years from the date the engine is delivered to an ultimate purchaser or 3,000 hours of operation, whichever occurs first. This applies to all engines rated at 19 kW and greater. In the absence of a device to measure hours of use, the engine shall be warranted for a period of five years.

EMISSIONS WARRANTY EXCLUSIONS:

John Deere may deny warranty claims for failures caused by the use of an add-on or modified part which has not been exempted by the CARB. A modified part is an aftermarket part intended to replace an original emission-related part which is not functionally identical in all respects and which in any way affects emissions. An add-on part is any aftermarket part which is not a modified part or a replacement part.

In no event will John Deere, any authorized engine distributor, dealer, or repair facility, or any company affiliated with John Deere be liable for incidental or consequential damage.

Introduction

JOHN DEERE'S WARRANTY RESPONSIBILITY:

Where a warrantable condition exists, John Deere will repair or replace, as it elects, your off-road diesel engine at no cost to you, including diagnosis, parts or labor. Warranty coverage is subject to the limitations and exclusions set forth herein. The off-road diesel engine is warranted for a period of five years from the date the engine is delivered to an ultimate purchaser or 3,000 hours of operation, whichever occurs first. The following are emissions-related parts:

Air Induction System <ul style="list-style-type: none">• Intake manifold• Turbocharger• Charge air cooler	Emission control labels	Advanced Oxides of Nitrogen (NOx) Controls <ul style="list-style-type: none">• NOx absorbers and catalysts
Fuel Metering system <ul style="list-style-type: none">• Fuel injection system	Particulate Controls <ul style="list-style-type: none">• Any device used to capture particulate emissions• Any device used in the regeneration of the capturing system• Enclosures and manifolding• Smoke Puff Limiters	SCR systems and urea containers/dispensing systems
Exhaust Gas Recirculation <ul style="list-style-type: none">• EGR valve	Positive Crankcase Ventilation (PCV) System <ul style="list-style-type: none">• PCV valve• Oil filler cap	Miscellaneous Items used in Above Systems <ul style="list-style-type: none">• Electronic control units, sensors, actuators, wiring harnesses, hoses, connectors, clamps, fittings, gasket, mounting hardware
Catalyst or Thermal Reactor Systems <ul style="list-style-type: none">• Catalytic converter• Exhaust manifold		

Any warranted emissions-related part scheduled for replacement as required maintenance is warranted by John Deere for the period of time prior to the first scheduled replacement point for the part. Any warranted emissions-related part not scheduled for replacement as required maintenance or scheduled only for regular inspection is warranted by John Deere for the stated warranty period.

OWNER'S WARRANTY RESPONSIBILITIES:

As the off-road diesel engine owner you are responsible for the performance of the required maintenance listed in your Operator's Manual. John Deere recommends that the owner retain all receipts covering maintenance on the off-road diesel engine, but John Deere cannot deny warranty solely for the lack of receipts or for the owner's failure to ensure the performance of all scheduled maintenance. However, as the off-road diesel engine owner, you should be aware that John Deere may deny you warranty coverage if your off-road diesel engine or a part has failed due to abuse, neglect, improper maintenance or unapproved modifications.

The off-road diesel engine is designed to operate on diesel fuel as specified in the Fuels, Lubricants and Coolants section in the Operators Manual. Use of any other fuel may result in the engine no longer operating in compliance with applicable emissions requirements.

The owner is responsible for initiating the warranty process, and should present the machine to the nearest authorized John Deere dealer as soon as a problem is suspected. The warranty repairs should be completed by the authorized John Deere dealer as quickly as possible.

Emissions regulations require the customer to bring the unit to an authorized servicing dealer when warranty service is required. As a result, John Deere is NOT liable for travel or mileage on emissions warranty service calls.

Emission_CI_CARB (14Apr20)

Continued on next page

DX,EMISSIONS,CARB -19-26AUG20-6/8

Emissions Control Warranty Statement 2022 through 2024

DXLOGOV1 —UN—28APR09



JOHN DEERE

CALIFORNIA EMISSIONS CONTROL WARRANTY STATEMENT YOUR WARRANTY RIGHTS AND OBLIGATIONS

To determine if the John Deere engine qualifies for the additional warranties set forth below, look for the "Emission Control Information" label located on the engine. If the engine is operated in the United States or Canada and the engine label states: "This engine complies with US EPA regulations for nonroad and stationary diesel engines", or "This engine complies with US EPA regulations for stationary emergency diesel engines", refer to the "U.S. and Canada Emission Control Warranty Statement." If the engine is operated in California, and the engine label states: "This engine complies with US EPA and California regulations for nonroad/off-road diesel engines" also refer to the "California Emissions Control Warranty Statement."

Warranties stated on this certificate refer only to emissions-related parts and components of your engine. The complete engine warranty, less emission-related parts and components, is provided separately. If you have any questions about your warranty rights and responsibilities, you should contact John Deere at 1-319-292-5400.

CALIFORNIA EMISSIONS CONTROL WARRANTY STATEMENT:

The California Air Resources Board (CARB) is pleased to explain the emission-control system warranty on 2022 through 2024 off-road diesel engines. In California, new off-road engines must be designed, built and equipped to meet the State's stringent anti-smog standards. John Deere must warrant the emission control system on your engine for the periods of time listed below provided there has been no abuse, neglect or improper maintenance of your engine.

Your emission control system may include parts such as the fuel injection system and the air induction system. Also included may be hoses, belts, connectors and other emission-related assemblies.

John Deere warrants to the ultimate purchaser and each subsequent purchaser that this off-road diesel engine was designed, built, and equipped so as to conform at the time of sale with all applicable regulations adopted by CARB. John Deere warrants that this engine is free from defects in materials and workmanship which would cause the failure of emissions warranted parts to be identical in all material respects to the part as described in John Deere's application for certification for a period of five years from the date the engine is delivered to an ultimate purchaser or 3,000 hours of operation, whichever occurs first. This applies to all engines rated at 19 kW and greater. In the absence of a device to measure hours of use, the engine shall be warranted for a period of five years.

EMISSIONS WARRANTY EXCLUSIONS:

John Deere may deny warranty claims for failures caused by the use of an add-on or modified part which has not been exempted by the CARB. A modified part is an aftermarket part intended to replace an original emission-related part which is not functionally identical in all respects and which in any way affects emissions. An add-on part is any aftermarket part which is not a modified part or a replacement part.

In no event will John Deere, any authorized engine distributor, dealer, or repair facility, or any company affiliated with John Deere be liable for incidental or consequential damage.

Continued on next page

DX,EMISSIONS,CARB -19-26AUG20-7/8

RC32768 —UN—19AUG20

Introduction

JOHN DEERE'S WARRANTY RESPONSIBILITY:

Where a warrantable condition exists, John Deere will repair or replace, as it elects, your off-road diesel engine at no cost to you, including diagnosis, parts or labor. Warranty coverage is subject to the limitations and exclusions set forth herein. The off-road diesel engine is warranted for a period of five years from the date the engine is delivered to an ultimate purchaser or 3,000 hours of operation, whichever occurs first. The following are emissions-related parts:

Air Induction System

- Intake manifold
- Turbocharger
- Charge air cooler

Fuel Metering system

- Fuel injection system

Exhaust Gas Recirculation

- EGR valve

Catalyst or Thermal Reactor Systems

- Catalytic converter
- Exhaust manifold

Emission control labels

Particulate Controls

- Any device used to capture particulate emissions
- Any device used in the regeneration of the capturing system
- Enclosures and manifolding
- Smoke Puff Limiters

Positive Crankcase Ventilation (PCV) System

- PCV valve
- Oil filler cap

Advanced Oxides of Nitrogen (NOx) Controls

- NOx absorbers and catalysts

SCR systems and urea containers/dispensing systems

Miscellaneous Items used in Above Systems

- Electronic control units, sensors, actuators, wiring harnesses, hoses, connectors, clamps, fittings, gasket, mounting hardware

Any warranted emissions-related part scheduled for replacement as required maintenance is warranted by John Deere for the period of time prior to the first scheduled replacement point for the part. Any warranted emissions-related part not scheduled for replacement as required maintenance or scheduled only for regular inspection is warranted by John Deere for the stated warranty period.

OWNER'S WARRANTY RESPONSIBILITIES:

As the off-road diesel engine owner you are responsible for the performance of the required maintenance listed in your Operator's Manual. John Deere recommends that the owner retain all receipts covering maintenance on the off-road diesel engine, but John Deere cannot deny warranty solely for the lack of receipts or for the owner's failure to ensure the performance of all scheduled maintenance. However, as the off-road diesel engine owner, you should be aware that John Deere may deny you warranty coverage if your off-road diesel engine or a part has failed due to abuse, neglect, improper maintenance or unapproved modifications.

The off-road diesel engine is designed to operate on diesel fuel as specified in the Fuels, Lubricants and Coolants section in the Operators Manual. Use of any other fuel may result in the engine no longer operating in compliance with applicable emissions requirements.

The owner is responsible for initiating the warranty process, and should present the machine to the nearest authorized John Deere dealer as soon as a problem is suspected. The warranty repairs should be completed by the authorized John Deere dealer as quickly as possible.

Emissions regulations require the customer to bring the unit to an authorized servicing dealer when warranty service is required. As a result, John Deere is NOT liable for travel or mileage on emissions warranty service calls.

Emission_CI_CARB (14Apr20)

DX,EMISSIONS,CARB -19-26AUG20-8/8

RG32759—UN—19AUG20

FCC Notifications to User

FCC Notification

These devices comply with Part 15 of the FCC Rules. Operation is subject to the following two conditions: (1) These devices may not cause harmful interference, and (2) these devices must accept any interference received, including interference that may cause undesired operation.

These devices must be operated as supplied by John Deere Ag Management Solutions. Any changes or modifications made to these devices without the express written approval of John Deere Ag Management Solutions may void the user's authority to operate these devices.

Modular Telematics Gateway and Satellite Module

This equipment has been tested and found to comply with the limits for Class B digital devices, pursuant to part 15 of the FCC Rules. These limits are designed to provide reasonable protection against harmful interference in a

residential installation. This equipment generates, uses, and can radiate radio frequency energy, and if not installed and used in accordance with the instructions, may cause harmful interference to radio communications. However, no guarantee shall be made that interference will not occur in a particular installation. If this equipment does cause harmful interference to radio or television reception, which can be determined by turning the equipment off and on, the user is encouraged to try to correct the interference by one or more of the following measures:

- Reorient or relocate the receiving antenna.
- Increase the separation between the equipment and receiver.
- Connect the equipment into an outlet on a circuit different from that to which the receiver is connected.
- Consult the dealer or an experienced radio/TV technician for help.

MM16284,000196F -19-20FEB19-1/1

Service ADVISOR™ Remote (SAR)—SOFTWARE TERMS AND CONDITIONS

IMPORTANT -- READ CAREFULLY: THIS SOFTWARE LICENSE AGREEMENT IS A LEGAL CONTRACT BETWEEN YOU AND THE LICENSOR ("LICENSOR") IDENTIFIED BELOW AND GOVERNS YOUR USE OF THE SOFTWARE DELIVERED TO YOUR MACHINE (THE "MACHINE").

BY INDICATING YOUR ACCEPTANCE ON A DISPLAY ON THE MACHINE, BY INSTALLING SOFTWARE TO THE MACHINE, OR USING SOFTWARE ON THE MACHINE, YOU ARE ACCEPTING AND AGREEING TO THE TERMS OF THIS LICENSE AGREEMENT WITH RESPECT TO THE SOFTWARE (THE "Software") THAT IS DELIVERED TO YOUR MACHINE. YOU AGREE THAT THIS SOFTWARE LICENSE AGREEMENT, INCLUDING THE WARRANTY DISCLAIMERS, LIMITATIONS OF LIABILITY AND TERMINATION PROVISIONS BELOW, IS BINDING UPON YOU, AND UPON ANY COMPANY ON WHOSE BEHALF YOU USE THE SOFTWARE AS WELL AS THE EMPLOYEES OF ANY SUCH COMPANY (COLLECTIVELY REFERRED TO AS "YOU" IN THIS SOFTWARE LICENSE AGREEMENT). IF YOU DO NOT AGREE TO THE TERMS OF THIS AGREEMENT, OR IF YOU ARE NOT AUTHORIZED TO ACCEPT THESE TERMS ON BEHALF OF YOUR COMPANY OR ITS EMPLOYEES, PLEASE CLICK THE [Decline] ICON ON THE DISPLAY ON THE MACHINE TO DECLINE THESE TERMS AND CONDITIONS. THIS LICENSE AGREEMENT REPRESENTS THE ENTIRE AGREEMENT CONCERNING THE SOFTWARE BETWEEN YOU AND THE LICENSOR.

1. Delivery of Software. Software may be delivered to your Machine by Licensor wirelessly or via an agent of Licensor, such as a dealer. If it is delivered wirelessly, you may be responsible for any data transmission fees incurred due to such delivery.

2. License. Licensor hereby grants to you, and you accept, a nonexclusive license to use the Software in machine-readable, object code form, only as authorized in this License Agreement and the applicable provisions of the Operators' Manuals, which you agree to review carefully prior to using the Software. The Software may be used only on the Machine to which it was initially delivered. You agree that you will not assign, sublicense, transfer, pledge, lease, rent, or share your rights under this License Agreement, except that you may permanently transfer all of your rights under this License Agreement in connection with the sale of the Machine on which the Software covered by this Agreement is installed.

3. Licensor's Rights. You acknowledge and agree that the Software is proprietary to Licensor and is protected under copyright law. You further acknowledge and agree that all right, title, and interests in and to the Software, including associated intellectual property rights, are and shall remain with Licensor. This License Agreement does not convey to you any title or interest in or to the Software, but only a limited right of use revocable in accordance with the terms of this License Agreement. You agree

that you will not: (a) reverse assemble, reverse compile, modify, or otherwise translate the Software, or attempt to defeat the copyright protection and application enabling mechanisms therein; (b) copy or reproduce the Software; or, (b) remove or obliterate any copyright, trademark or other proprietary rights notices from the Software. You also agree not to permit any third party acting under your control to do any of the foregoing.

4. License Fees. The license fees paid by you, if any, are paid in consideration of the licenses granted under this License Agreement.

5. Limited Warranty. Licensor warrants, for your benefit alone and not for the benefit of any other party, that during the "**Warranty Period**" defined below, the Software will operate substantially in accordance with the applicable functional specifications ("**Specifications**") set forth in the Operators' Manuals. If, prior to expiration of the Warranty Period, the Software fails to perform substantially in accordance with the Specifications, you may return the Machine to the place of purchase for repair or replacement of the non-performing Software. The Warranty Period is ninety (90) days from the date of installation of the Software or the duration of the warranty period of the component of the Machine on which the Software is installed, whichever is longer. The Software Warranty Period does not affect the warranty period of the Machine itself or any component thereof.

6. DISCLAIMER OF WARRANTIES. YOU HEREBY AGREE THAT THE LIMITED WARRANTY PROVIDED ABOVE (THE "**LIMITED WARRANTY**") CONSTITUTES YOUR SOLE AND EXCLUSIVE REMEDY FOR ANY PROBLEM WHATSOEVER WITH THE SOFTWARE. EXCEPT AS PROVIDED IN THE LIMITED WARRANTY, THE SOFTWARE IS LICENSED "AS IS," AND LICENSOR, ITS AFFILIATES AND THIRD PARTY SUPPLIERS EXPRESSLY DISCLAIM AND YOU EXPRESSLY WAIVE, RELEASE AND RENOUNCE ALL WARRANTIES ARISING BY LAW OR OTHERWISE WITH RESPECT TO THE SOFTWARE, INCLUDING, BUT NOT LIMITED TO: ANY IMPLIED WARRANTY OF MERCHANTABILITY OR FITNESS FOR A PARTICULAR PURPOSE; ANY IMPLIED WARRANTY ARISING FROM COURSE OF PERFORMANCE, COURSE OF DEALING OR TRADE USAGE; ANY WARRANTY OF TITLE OR NON-INFRINGEMENT; AND, ANY OTHER WARRANTY ARISING UNDER ANY THEORY OF LAW, INCLUDING TORT, NEGLIGENCE, STRICT LIABILITY, CONTRACT OR OTHER LEGAL OR EQUITABLE THEORY. NO REPRESENTATION OR OTHER AFFIRMATION OF FACT INCLUDING, BUT NOT LIMITED TO, STATEMENTS REGARDING SUITABILITY FOR USE, SHALL BE DEEMED TO BE A WARRANTY BY LICENSOR OR ANY OF ITS AFFILIATES OR THIRD PARTY SUPPLIERS. LICENSOR DOES NOT WARRANT THAT THE SOFTWARE IS ERROR-FREE OR WILL OPERATE WITHOUT INTERRUPTION.

Continued on next page

OUT4001,00006C5 -19-08NOV10-1/4

7. LIMITATION OF LIABILITY. EXCEPT AS SET FORTH IN THE LIMITED WARRANTY, UNDER NO CIRCUMSTANCES SHALL LICENSOR, ITS AFFILIATES OR ITS THIRD PARTY SUPPLIERS BE LIABLE TO YOU OR TO ANY THIRD PARTIES FOR DIRECT, INDIRECT, INCIDENTAL OR CONSEQUENTIAL DAMAGES OF ANY KIND, INCLUDING ANY LOSS OR DAMAGE CAUSED BY THE SOFTWARE; ANY PARTIAL OR TOTAL FAILURE OF THE SOFTWARE; PERFORMANCE, NONPERFORMANCE OR DELAYS IN CONNECTION WITH ANY INSTALLATION, MAINTENANCE, WARRANTY OR REPAIRS OF THE SOFTWARE, DAMAGES FOR CROP LOSS, DAMAGE TO LAND, LOST PROFITS, LOSS OF BUSINESS OR LOSS OF GOODWILL, LOSS OF USE OF EQUIPMENT OR SERVICES OR DAMAGES TO BUSINESS OR REPUTATION ARISING FROM THE PERFORMANCE OR NON-PERFORMANCE OF ANY ASPECT OF THIS AGREEMENT, WHETHER IN CONTRACT, TORT OR OTHERWISE, AND WHETHER OR NOT LICENSOR, ITS AFFILIATES OR ITS THIRD PARTY SUPPLIERS HAVE BEEN ADVISED OF THE POSSIBILITY OF SUCH DAMAGES. IN NO EVENT SHALL LICENSOR'S CUMULATIVE LIABILITY TO YOU OR TO ANY OTHER PARTY FOR ANY LOSSES OR DAMAGES RESULTING FROM ANY CLAIMS, LAWSUITS, DEMANDS, OR ACTIONS ARISING FROM OR RELATING TO USE OF THE SOFTWARE EXCEED YOUR TOTAL PAYMENT FOR THE MACHINE AND FOR THE LICENSE OF THE SOFTWARE.

8. Termination of License. Licensor may terminate the license granted under this Agreement upon written notice of termination provided to you if you violate any material term of this Agreement pertaining to your use of the Software or Licensor's rights, including, without limitation, the provisions of Sections 2 and 3 above.

9. Compliance with Law. You agree that you will use the Software in accordance with United States law and the laws of the country in which you are located, as applicable, including foreign trade control laws and regulations. The Software may be subject to export and other foreign trade controls restricting re-sales and/or transfers to other countries and parties. By accepting the terms of this Agreement, you acknowledge that you understand that the Software may be so controlled, including, but not limited to, by the Export Administration Regulations and/or the foreign trade control regulations of the Treasury Department of the United States. Any other provision of this Agreement to the contrary notwithstanding, you agree that the Software will not be resold, re-exported or otherwise transferred. The Software remains subject to applicable U.S. laws.

10. Indemnification. You agree to defend, indemnify and hold Licensor, its affiliates and third party supplier, and their, officers, directors, employees, agents and representatives (each an "**Indemnified Party**"), harmless

from and against all claims, demands proceedings, injuries, liabilities, losses, or costs and expenses (including reasonable legal fees) brought by any third party against any such persons arising from or in connection with your use of the Software, regardless of whether such losses are caused, wholly or partially, by any negligence, breach of contract or other fault of an Indemnified Party.

11. Costs of Litigation. If any claim or action is brought by either party to this License Agreement against the other party regarding the subject matter hereof, the prevailing party shall be entitled to recover, in addition to any other relief granted, reasonable attorney fees and expenses of litigation.

12. Severability and Waiver. Should any term of this Agreement be declared void or unenforceable by any court of competent jurisdiction, such declaration shall have no effect on the remaining terms hereof. The failure of either party to enforce any rights granted hereunder or to take action against the other party in the event of any breach hereunder shall not be deemed a waiver by that party as to subsequent enforcement of rights of subsequent actions in the event of future breaches.

13. Language Clause. If you are a resident of Canada at the time you accept this Agreement, then the parties hereby acknowledge that they have required this Agreement, and all other documents relating hereto, be drawn up in the English language only. Les parties reconnaissent avoir demandé que le présent contrat ainsi que toute autre entente ou avis requis ou permis à être conclu ou donné en vertu des stipulations du présent contrat, soient rédigés en langue anglaise seulement. If you are a resident of any country other than the United States, Canada, Great Britain, Australia or New Zealand then you agree as follows: there may be a translated version of this Agreement. If there is an inconsistency or contradiction between the translated version and the English version of this Agreement, the English version of this Agreement shall control.

14. Assignment by Licensor. Licensor may assign this Agreement without your prior consent to any company or entity affiliated with Licensor, or by an assignment associated with a corporate restructuring, merger or acquisition.

15. Governing Law and Forum. This Agreement will be governed by and construed in accordance with the substantive laws identified in the table in Section 18, below. The respective courts of the venue identified in the table in Section 18, below, for the location of the Machine shall have non-exclusive jurisdiction over all disputes relating to this Agreement. This Agreement will not be governed by the conflict of law rules of any jurisdiction or the United Nations Convention on Contracts for the International Sale of Goods, the application of which is expressly excluded.

16. Specific Exceptions.

16.1 Limited Warranty for Users Residing in European Economic Area Countries or Switzerland. If you obtained the Software in any European Economic Area country or Switzerland, and you usually reside in such country, then Section 6 does not apply, instead, Licensor warrants that the Software provides the functionalities set forth in the Operators Manuals (the "**agreed upon functionalities**") for the Warranty Period. As used in this Section, "Warranty Period" means one (1) year. Non-substantial variation from the agreed upon functionalities shall not be considered and does not establish any warranty rights. THIS LIMITED WARRANTY DOES NOT APPLY TO SOFTWARE PROVIDED TO YOU FREE OF CHARGE, FOR EXAMPLE, UPDATES, OR SOFTWARE THAT HAS BEEN ALTERED BY YOU, TO THE EXTENT SUCH ALTERATIONS CAUSED A DEFECT. To make a warranty claim, during the Warranty Period you must return, at our expense, the Software and proof of purchase to the location where you obtained it. If the functionalities of the Software vary substantially from the agreed upon functionalities, Licensor is entitled -- by way of re-performance and at its own discretion -- to repair or replace the Software. If this fails, you are entitled to a reduction of the purchase price (reduction) or to cancel the purchase agreement (rescission). For further warranty information, please contact Licensor at the address listed in Section 18.

16.2 Limitation of Liability for Users Residing in European Economic Area Countries or Switzerland.

(a) If you obtained the Software in any European Economic Area country or Switzerland, and you usually reside in such country, then Sections 7 and 10 do not apply. Instead, Licensor's statutory liability for damages shall be limited as follows: (a) Licensor shall be liable only up to the amount of damages as typically foreseeable at the time of entering into this Agreement in respect of damages caused by a slightly negligent breach of a material contractual obligation and (b) Licensor shall

not be liable for damages caused by a slightly negligent breach of a non-material contractual obligation.

(b) The aforesaid limitation of liability shall not apply to any mandatory statutory liability, in particular, to liability under the German Product Liability Act, liability for assuming a specific guarantee or liability for culpably caused personal injuries.

(c) You are required to take all reasonable measures to avoid and reduce damages, in particular to make back-up copies of the Software and your computer data subject to the provisions of this Agreement.

17. Representations of Licensee. BY ACCEPTING THIS AGREEMENT, YOU: (A) ACKNOWLEDGE THAT YOU HAVE READ AND UNDERSTAND THIS AGREEMENT; (B) REPRESENT THAT YOU HAVE THE AUTHORITY TO ENTER INTO THIS AGREEMENT; (C) AGREE THAT THIS AGREEMENT IS ENFORCEABLE AGAINST YOU AND ANY LEGAL ENTITY THAT OBTAINED THE SOFTWARE AND ON WHOSE BEHALF IT IS USED; AND, (D) AGREE TO PERFORM THE OBLIGATIONS OF THIS AGREEMENT.

18. Identification of Licensor and Notices. The Licensor is the entity identified in the table below. All notices to Licensor shall be sent by certified or registered mail to the corresponding address for the Licensor given below. In each case a copy of the notice shall also be sent to John Deere Intelligent Solutions Group, ATTN: Legal, 4140 114th Street Urbandale, IA 50322 U.S.A. All notices to Licensor shall be effective upon receipt. All notices required to be given to you shall, in Licensor's sole discretion, either be sent via certified or registered mail to the address given to Licensor in connection with your purchase of the Machine. Either method of notification used by Licensor shall be effective upon dispatch. You agree to notify Licensor of any change in your address in the manner set forth above.

Place of Purchase	Address	Governing Law	Venue
United States of America	John Deere Shared Services, Inc. One John Deere Place Moline, IL 61265 U.S.A.	State of Illinois, USA	Rock Island County, Illinois, USA
Argentina	Industrias John Deere Argentina, S.A. Casilla de Correo 80 Rosario (Santa Fe), 2000, Argentina	Province of Santa Fe, Argentina	Province of Santa Fe, Argentina
Australia or New Zealand	John Deere Limited (Australia) P.O. Box 2022 Crestmead, Queensland, Australia 4132	State of Queensland, Australia	State of Queensland, Australia
Canada	John Deere Limited 295 Hunter Road P.O. Box 1000 Grimsby, ON L9K 1M3	Province of Ontario, Canada	Province of Ontario, Canada
Chile	John Deere Water, S.A. Cerro Santa Lucia 9990 Quilicura, Santiago, Chile	Province of Santiago, Chile	Province of Santiago, Chile
Mexico	Industrias John Deere, S.A. de C.V. Boulevard Diaz Ordaz #500 Garza Garcia Nuevo Leon 66210, Mexico	State of Nuevo Leon, Mexico	State of Nuevo Leon, Mexico

Continued on next page

OUT4001.00006C5 -19-08NOV10-3/4

Introduction

Europe	ETIC Strassburgerallee 5 67657 Kaiserslautern, Germany	Federal Republic of Germany	Kaiserslautern, Germany
Other	The John Deere entity identified for the location of your Machine on www.JDLink.com .	The John Deere entity identified for the location of your Machine on www.JDLink.com .	The John Deere entity identified for the location of your Machine on www.JDLink.com .

OUT4001.00006C5 -19-08NOV10-4/4

John Deere Online Bookstore

The Technical Service Information Bookstore is available for John Deere Construction & Forestry, Hitachi, and Waratah products.

Technical information can be purchased from John Deere. Publications are available in print, PDF download, or PDF on DVD formats.

Orders can be made using one of the following:

- John Deere Technical Information Store:
<http://www.johndeeretechno.com/>
- Call 1-866-213-3373
- Contact an authorized John Deere dealer

Available information includes:

- PARTS CATALOGS listing service parts available for machines with exploded view illustrations to help identify the correct parts. It is also useful in assembling and disassembling.
- OPERATOR'S MANUALS providing safety, operating, maintenance, and service information.
- TECHNICAL MANUALS outlining service information for machines. Included are specifications, illustrated assembly and disassembly procedures, hydraulic oil flow diagrams, and wiring diagrams. Some products have separate manuals for repair and diagnostic information. Some components, such as engines, are available in a separate component technical manual.



John Deere Online Bookstore

- TRAINING GUIDES AND VIDEOS covering components, preventative maintenance, operation safety, and demonstration tips.

TX1213033 —UN—07APR16

MB60223.0005117 -19-17MAR17-1/1

Technical Information Feedback Form

We need your help to continually improve our technical publications. Please copy this page and FAX or mail your comments, ideas and improvements.

SEND TO: John Deere Dubuque Works
18600 South John Deere Road
Attn: Publications, Dept. 324
Dubuque, IA 52004-0538
USA

FAX NUMBER: 1-563-589-5800 (USA)

Publication Number: _____

Page Number: _____

Ideas, Comments: _____

Name: _____

Phone: _____

Email Address: _____

THANK YOU!

Contents

Page	Page
Safety—Safety and Operator Conveniences	
Safety and Operator Convenience Features 1-1-1	Add and Operate Attachments Safely 1-3-7
Safety—General Precautions	Safety—Maintenance Precautions
Information for European Union	Park and Prepare for Service Safely 1-4-1
Directives and Eurasian Economic	Service Machines Safely 1-4-1
Union Technical Regulations Compliance 1-2-1	Service Cooling System Safely 1-4-2
Recognize Safety Information 1-2-2	Remove Paint Before Welding or Heating 1-4-2
Follow Safety Instructions 1-2-3	Make Welding Repairs Safely 1-4-2
Operate Only If Qualified 1-2-3	Drive Metal Pins Safely 1-4-3
Wear Protective Equipment 1-2-3	Service Tires Safely 1-4-3
Protect Against Noise 1-2-4	Use Proper Lifting Equipment 1-4-3
Avoid Unauthorized Machine Modifications 1-2-4	
Inspect Machine 1-2-4	Safety—Safety Signs and Other Instructions
Stay Clear of Moving Parts 1-2-4	Safety Signs and Other Instructions 1-5-1
Avoid High-Pressure Fluids 1-2-5	
Avoid High-Pressure Oils 1-2-5	Operation—Operator’s Station
Work In Ventilated Area 1-2-6	Operator Controls 2-1-1
Handle Starting Fluid Safely 1-2-6	Operator Control Functions 2-1-2
Avoid Static Electricity Risk When Refueling 1-2-6	Sealed Switch Module (SSM) 2-1-3
Prevent Fires 1-2-7	Primary Display Unit (PDU) 2-1-6
In Case of Machine Fire 1-2-7	Primary Display Unit (PDU) Functions 2-1-7
Prevent Battery Explosions 1-2-8	Steering Column Lever 2-1-11
Handle Chemical Products Safely 1-2-8	Pedals 2-1-12
Decommissioning — Proper Recycling	Operator Seat and Instructional Seat 2-1-13
and Disposal of Fluids and Components 1-2-9	Cab Door Release 2-1-14
Prepare for Emergencies 1-2-9	Cab Door Stop Adjustment 2-1-14
High Debris Applications 1-2-9	Opening Side Window/Alternative Exit 2-1-15
Clean Debris from Machine 1-2-10	Opening Rear Side Window 2-1-15
Add Cab Guarding for Special Uses 1-2-10	Radio—If Equipped 2-1-16
	Rear View Monitor—If Equipped 2-1-18
	12-Volt Auxiliary Power Outlet 2-1-19
	Fire Extinguisher Mounting Location 2-1-19
Safety—Operating Precautions	Operation—Operating the Machine
Use Steps and Handholds Correctly 1-3-1	Before Starting Work 2-2-1
Start Only From Operator’s Seat 1-3-1	Inspect Machine Daily Before Starting 2-2-1
Use and Maintain Seat Belt 1-3-1	Engine Break-In Period 2-2-1
Prevent Unintended Machine Movement 1-3-2	Starting Engine 2-2-2
Avoid Work Site Hazards 1-3-3	Stopping Engine 2-2-4
Avoid Power Lines 1-3-4	Service ADVISOR™ Remote (SAR)
Keep Riders Off Machine 1-3-4	Software Delivery Process 2-2-4
Prevent Acid Burns 1-3-5	Engine Block Heater—If Equipped 2-2-5
Avoid Backover Accidents 1-3-5	Cold Weather Warm-up 2-2-5
Avoid Machine Tip Over 1-3-6	Diesel Fired Coolant Heater (DFCH)
Operating on Slopes 1-3-6	Operation—If Equipped 2-2-6
Operating in Water and Mud 1-3-6	
Operating or Traveling On Public Roads 1-3-7	
Inspect and Maintain ROPS 1-3-7	
Travel Safely 1-3-7	

Continued on next page

Original Instructions. All information, illustrations and specifications in this manual are based on the latest information available at the time of publication. The right is reserved to make changes at any time without notice.

COPYRIGHT © 2022
DEERE & COMPANY
Moline, Illinois
All rights reserved.
A John Deere ILLUSTRATION™ Manual
Previous Editions
Copyright © 2016, 2017, 2018, 2019, 2020, 2021

Page	Page		
Replace Start Aid Can—If Equipped	2-2-8	Transmission Oil	3-1-3
Parking the Machine	2-2-9	Grease	3-1-3
Battery Disconnect Switch and Battery		Axle and Final Drive Oil	3-1-4
Circuit Breakers	2-2-9	Lubricant Storage	3-1-4
Warming Hydraulic System	2-2-10	Mixing of Lubricants	3-1-4
Air Conditioner and Heater Operation	2-2-10	Diesel Fuel	3-1-5
Driving Machine	2-2-12	Lubricity of Diesel Fuel	3-1-6
Steering Machine	2-2-12	Handling and Storing Diesel Fuel	3-1-6
Shifting the Transmission	2-2-13	Biodiesel Fuel	3-1-7
Using Gear Hold and Gear Range	2-2-15	Testing Diesel Fuel	3-1-8
Using Operator Speed Control	2-2-15	Supplemental Diesel Fuel Additives	3-1-8
Using Differential Lock	2-2-16	Fuel Filters	3-1-8
Slowing and Stopping the Machine	2-2-18	Minimizing the Effect of Cold Weather	
Operating on a Hill	2-2-19	on Diesel Engines	3-1-9
Off-Road Operation	2-2-20	Diesel Engine Break-In™ Oil—	
Loading and Unloading Dump Body	2-2-21	Non-Emissions Certified and	
Dump Body Manual Lowering and Bin		Certified Tier 1, Tier 2, Tier 3, Stage	
Tip Circuit Pressure Relieving Procedure	2-2-21	I, Stage II, and Stage III	3-1-10
Dump Body Control	2-2-22	Diesel Engine Oil—Tier 2 and Stage II	
Using Onboard Weighing (OBW)		Engines	3-1-11
System—If Equipped	2-2-24	Diesel Engine Oil—Tier 3 and Stage III	
Machine Light Operation	2-2-25	A Engines	3-1-12
Freeing Stuck Machine	2-2-27	Engine Oil and Filter Service Intervals	
Towing the Machine	2-2-28	— Tier 2 and Stage II Engines	3-1-13
Removing Drive Shafts for Towing-Recovery	2-2-29	Engine Oil and Filter Service	
Mechanically Releasing Park Brake	2-2-30	Intervals—Tier 3 and Stage IIIA Engines	3-1-14
Lifting the Machine	2-2-31	Oil Filters	3-1-14
Loading and Unloading Machine From		Diesel Engine Coolant (engine with	
Trailer	2-2-33	wet sleeve cylinder liners)	3-1-15
Lock All Compartments	2-2-35	John Deere COOL-GARD™ II Coolant	
		Extender	3-1-16
		Water Quality for Mixing with Coolant	
		Concentrate	3-1-16
		Operating in Warm Temperature Climates	3-1-17
		Testing Coolant Freeze Point	3-1-17
		Disposing of Coolant	3-1-18
Operation—Monitor Operation		Maintenance—Periodic Maintenance	
Primary Display Unit (PDU) Display	2-3-1	Service Machine at Specified Intervals	3-2-1
Primary Display Unit (PDU) Display		Check the Hour Meter Regularly	3-2-1
Messages	2-3-2	Fuel Tank	3-2-2
Information—Machine Settings	2-3-3	Prepare Machine for Maintenance	3-2-2
Information—Operator Training	2-3-3	Installation and Removal of Dump	
Main Menu	2-3-4	Body Locking Bar	3-2-3
Operation—Job Timer	2-3-4	Install Articulation Locking Bar	3-2-4
Operation—Trip Counters	2-3-4	Tilt Cab	3-2-5
Operation—Life Counters	2-3-5	Fluid Analysis Program Test Kits and	
Operation—Reverse Fan—If Equipped	2-3-5	3-Way Coolant Test Kit	3-2-7
Diagnostics—Codes	2-3-5	Service Intervals	3-2-8
Diagnostics—Controller ID	2-3-6	Required Parts	3-2-10
Diagnostics—Machine ID	2-3-6	Maintenance Legend	3-2-11
Diagnostics—Software Delivery	2-3-7		
Diagnostics—Battery Monitor	2-3-7	Maintenance—As Required	
Diagnostics—Tire Sensors—If Equipped	2-3-8	Inspect Tires and Check Pressure	3-3-1
Setup—Monitor	2-3-9	Check Wheel Bolt Torque	3-3-2
Setup—Anti Theft/Security	2-3-10	Check Service Brake Disc Wear	3-3-3
Setup—Operator Settings	2-3-11	Check Engine Air Cleaner Elements	3-3-4
Setup—Test and Setup	2-3-11		
Maintenance—Machine			
Required Emission-Related Information	3-1-1		
Alternative and Synthetic Lubricants	3-1-1		
Hydraulic Oil	3-1-2		

Continued on next page

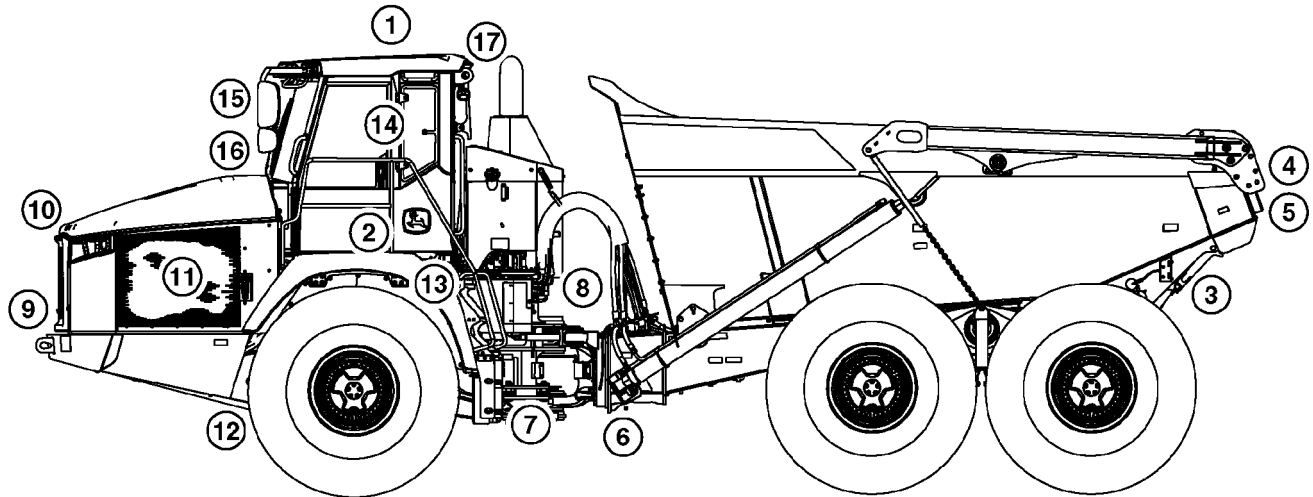
	Page		Page	
Inspect Serpentine Belt	3-3-5	Maintenance—Every 2000 Hours	Drain and Refill Transmission Oil and	
Clean Cooler Cores	3-3-6		Replace Filters	3-10-1
Drain Primary and Auxiliary Fuel Filters			Drain and Refill Transmission Oil	
With Water Separator	3-3-7		(Quick Service—If Equipped)	3-10-2
Check Windshield Washer Fluid Level	3-3-7		Replace Transmission Oil Filters	3-10-3
Check Cab Air Filters	3-3-8		Run Transmission Clutch Calibration	3-10-3
Inspect Steering Cylinder Seals	3-3-9		Drain and Refill Axle Oil	3-10-4
Lubricate Engine-to-Transmission			Lubricate Axle Seals	3-10-7
Drive Shaft Sliding Joint	3-3-10		Clean and Inspect Axle Breathers	3-10-8
Check Rear Camera	3-3-10		Adjust Engine Valve Clearance (Lash)	3-10-8
Clean and Tighten Battery Terminals	3-3-11		Replace Fuel Tank Breather Filter	3-10-8
			Clean Axle Pump Suction Screen	3-10-9
Maintenance—Every 10 Hours or Daily				
Check Coolant Level	3-4-1		Maintenance—Every 4000 Hours	
Check Engine Oil Level	3-4-2		Clean Hydraulic Pump Case Drain	
Check Hydraulic System Oil Level	3-4-2		In-Line Screen	3-11-1
Check Transmission Oil Level	3-4-3		Clean Hydraulic Fan Drive Case Drain	
		In-Line Screens	3-11-2	
Maintenance—Every 50 Hours		Clean Hydraulic System Fill Strainer	3-11-3	
Lubricate Articulation Joint, Oscillation		Replace Hydraulic System Return Filter	3-11-4	
Joint, and Through Drive Bearing	3-5-1	Drain and Refill Hydraulic Oil	3-11-5	
Lubricate Greaseable Steering		Drain and Refill Hydraulic Oil (Quick		
Cylinder Pins—If Equipped	3-5-2	Service—If Equipped)	3-11-6	
		Replace Hydraulic Tank Breather	3-11-7	
Maintenance—Every 250 Hours		Clean Axle Pump Case Drain Screen	3-11-8	
Take Engine Oil Sample	3-6-1			
		Maintenance—Every 6000 Hours		
Maintenance—Initial Service—500 Hours		Drain and Refill Engine Cooling System	3-12-1	
Replace Axle Oil Filters	3-7-1	Drain and Refill Engine Cooling System		
Run Transmission Clutch Calibration	3-7-1	(Quick Service—If Equipped)	3-12-2	
		Inspect Driveline Torsional Coupler	3-12-3	
Maintenance—Every 500 Hours				
Check Hybrid Battery Electrolyte		Miscellaneous—Machine		
Level—If Equipped	3-8-1	Bleed Fuel System	4-1-1	
Take Fluid Samples	3-8-2	Secondary Steering	4-1-1	
Check Air Intake Hoses and Charge		Lubricate Hinges	4-1-2	
Air Cooler Tube Couplings	3-8-3	Verified Anchor Point Information	4-1-2	
Drain and Refill Engine Oil and Replace Filter ..	3-8-4	Fluid Sampling Test Ports	4-1-2	
Drain and Refill Engine Oil (Quick		Do Not Service Control Valves,		
Service—If Equipped) and Replace Filter	3-8-5	Cylinders, Pumps, or Motors	4-1-4	
Replace Fuel Tank Breather—If		Do Not Service or Adjust Injection		
Equipped with Fast Fill	3-8-5	Nozzles or High-Pressure Fuel Pump	4-1-4	
Replace Primary Fuel Filter with Water		Precautions for Alternator and Regulator	4-1-5	
Separator	3-8-6	Handling, Checking, and Servicing		
Replace Auxiliary Fuel Filter with Water		Batteries Carefully	4-1-6	
Separator	3-8-6	Using Battery Charger	4-1-7	
Replace Final Fuel Filter	3-8-7	Using Booster Batteries—24-Volt System	4-1-8	
Check Park Brake Pad Wear and		Remove and Install Batteries	4-1-9	
Lubricate Linkage	3-8-7	Replacing Batteries	4-1-10	
		Welding on Machine	4-1-11	
Maintenance—Every 1000 Hours		Keep Electronic Control Unit		
Check and Adjust Dump Body Shock Pads	3-9-1	Connectors Clean	4-1-11	
Check Coolant Condition	3-9-2	Replacing Fuses	4-1-12	
Replace Axle Oil Filters	3-9-3			
Check Axle Oil Levels	3-9-4			

Continued on next page

	Page
JDLINK™ Machine Monitoring System (MMS)—If Equipped.....	4-1-14
Replace Front Turn Signal Bulb, Headlight Bulb, and Front Park Light Bulb ..	4-1-15
Replace Tail and Brake Light and Rear Turn Signal.....	4-1-16
Replace Backup Light and Work Light—If Equipped.....	4-1-16
Replace License Plate Light Bulb—If Equipped	4-1-16
Replace Dome Light Bulb.....	4-1-17
Hardware Torque Specifications.....	4-1-17
Unified Inch Bolt and Screw Torque Values.....	4-1-18
Metric Bolt and Screw Torque Values.....	4-1-19
 Miscellaneous—Operational Checkout	
Operational Checkout.....	4-2-1
 Miscellaneous—Troubleshooting	
Troubleshooting Procedure	4-3-1
Engine	4-3-2
Transmission	4-3-5
Axle.....	4-3-7
Tires.....	4-3-8
Brakes	4-3-8
Hydraulic System.....	4-3-9
Electrical System.....	4-3-10
Rear Frame and Cab.....	4-3-11
 Miscellaneous—Storage	
Prepare Machine for Storage	4-4-1
Monthly Storage Procedure.....	4-4-2
 Miscellaneous—Serial Numbers	
Record Product Identification Number (PIN)	4-5-1
Record Engine Serial Number.....	4-5-1
Record Transmission Serial Number.....	4-5-1
Record Front Axle Serial Number.....	4-5-2
Record Middle Axle Serial Number	4-5-2
Record Rear Axle Serial Number	4-5-2
Keep Proof of Ownership	4-5-2
Keep Machines Secure	4-5-3
 Miscellaneous—Specifications	
370E, 410E, and 460E Engine Specifications ..	4-6-1
370E Machine Dimensions.....	4-6-4
410E Machine Dimensions.....	4-6-8
460E Machine Dimensions.....	4-6-12
370E Machine Specifications	4-6-15
410E Machine Specifications	4-6-16
460E Machine Specifications	4-6-17
370E, 410E, and 460E Travel Speeds	4-6-18
Drain and Refill Capacities	4-6-20
Eurasian Economic Union	4-6-20
Machine Design Life.....	4-6-21

Safety—Safety and Operator Conveniences

Safety and Operator Convenience Features



TX1182145

Safety Features

Please remember, the operator is the key to preventing accidents.

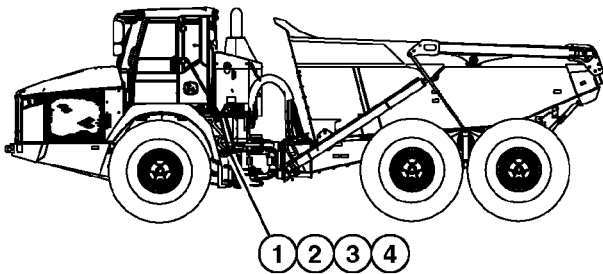
1. **ROPS/FOPS Cab Protection.** Structures designed to help protect the operator are certified to ISO, SAE, and OSHA. Enclosures also deflect sun and rain.
2. **Cab with Heater/Defroster.** Cab ventilation system circulates both outside and inside air through a filter for a clean working environment. Built-in defroster vents direct air flow for effective window defogging/deicing.
3. **Dump Body Service Lock.** A mechanical lock is provided for working on or around this machine with the dump body raised.
4. **Stop/Backup Lights.** Highly visible lights are standard equipment.
5. **Backup Alarm.** Alerts bystanders when reverse travel direction is selected by the operator.
6. **Independent Parking Brake.** Is mechanically engaged and hydraulically released. It engages whenever the engine stop switch is turned on or the park brake switch is activated.
7. **Articulation Locking Bar.** A self-storing mechanical lock is provided for transport or service.
8. **Secondary Steering.** Ground driven, continuously in operation. Secondary steering indicator light will light when active.
9. **Horn.** Standard horn is useful when driving or when signaling co-workers.
10. **Halogen Lights and Turn Signals.** High-intensity halogen drive/work lights and high-visibility turn signals are standard equipment.
11. **Engine Fan Guard.** A fan guard on both fan doors helps prevent contact with rotating fan blades.
12. **Bypass Start Protection.** Shielding over the starter terminals helps prevent dangerous bypass starting.
13. **Transmission Retarder.** Engages whenever the truck is in motion and the operator lets up on the accelerator.
14. **Seat Belt Retractors.** Help keep belts clean and convenient to use.
15. **Mirrors.** Large exterior mirrors on both sides offer the operator a view of activity behind the machine.
16. **Large Windshield Wiper with Washer.** Extra long wiper cleans large windshield area.
17. **Verified Anchor Points.** May be used for attaching job specific devices.

WC20922.00050E2 -19-19MAR15-1/1

TX1182145—JUN—19MAR15

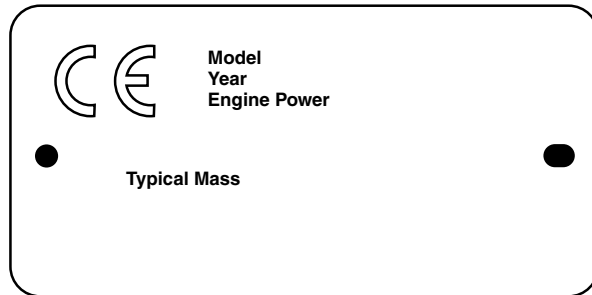
Safety—General Precautions

Information for European Union Directives and Eurasian Economic Union Technical Regulations Compliance



Articulated Dump Truck

TX1182141 —UN—19JAN15



CE Mark

TX1066144 —UN—19OCT09



PIN Plate

TX1066156 —UN—15OCT09



EAC Marking

TX1252152 —UN—09FEB18

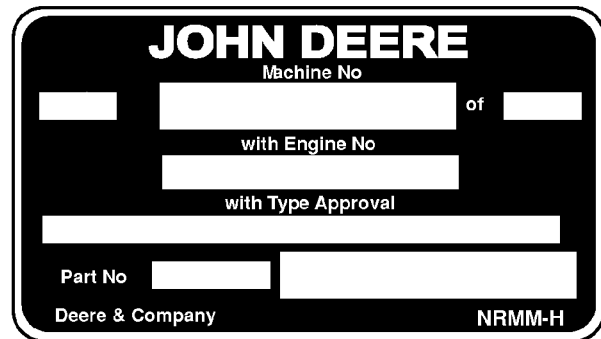
To the Customer

Effective June, 2006, all machines sold in the European Union must comply with the machinery directive 2006/42/EC and any amendments. Each machine meeting these requirements must bear the conformity mark CE. In addition, each machine must be accompanied with a Declaration of Conformity by the machine manufacturer. This declaration must be kept with the machine at all times and does not declare conformity to national road regulations.

Effective February 15, 2013, all machines sold in the Eurasian Economic Union must comply with the Technical Regulations of the Eurasian Economic Union TR TS 010/2011 "On Safety of machinery and Equipment." Each machine meeting these requirements must bear the EAC Marking.

NOTE: This machine may need country approval for travel on public roads in Europe as some European countries require special equipment and approvals.

Product Identification Number (PIN), CE Mark, EAC Marking, and EU Flex Label Locations



EU Flex Label

TX1066630 —UN—21OCT09

- 1— PIN Plate
- 2— CE Mark (if required)
- 3— EAC Marking (if required)
- 4— EU Flex Label (if required)

The machine is identified by the PIN that is stamped on a serial number plate. The PIN plate (1), CE Mark or EAC Marking, and if required, EU flex label are located on the machine as indicated in the machine image.

Continued on next page

MB60223,0005037 -19-16APR18-1/2

This as a preview PDF file from best-manuals.com



Download full PDF manual at best-manuals.com