

Shop Manual

BULLDOZER

D65EX -16

D65PX -16

D65WX-16

SERIAL NUMBERS

D65EX- 80001

D65PX- 80001 and up

D65WX-80001

ecot3

KOMATSU

BULLDOZER

D65EX-16

D65PX-16

D65WX-16

Machine model	Serial number
D65EX-16	80001 and up
D65PX-16	80001 and up
D65WX-16	80001 and up

00 Index and foreword

100 Index

Composition of shop manual.....	2
Table of contents	4

Composition of shop manual

The contents of this shop manual are shown together with Form No. in a list.

Note 1: Always keep the latest version of this manual in accordance with this list and utilize accordingly.

The marks shown to the right of Form No. denote the following:

○: New issue (to be filed additionally) ●: Revision (to be replaced for each Form No.)

Note 2: This shop manual can be supplied for each Form No.

Note 3: To file this shop manual in the special binder for management, handle it as follows:

- Place a divider on the top of each section in the file after matching the Tab No. with No. indicated next to each Section Name shown in the table below:
- File overview and other materials in sections in the order shown below and utilize them accordingly.

Section Title	Form Number
Shop Manual, contents binder, binder label and tabs	SEN04887-14
00 Index and foreword	SEN04923-14
100 Index	SEN04931-14 ●
200 Foreword and general information	SEN04932-01
01 General	SEN04924-03
100 Specification and technical data.....	SEN04933-03
10 Structure, function and maintenance standard.....	SEN04925-07
100 Engine and cooling system	SEN04963-01
201 Power train, Part 1	SEN04964-01
202 Power train, Part 2	SEN04965-01
300 Undercarriage and frame	SEN04966-04 ●
401 Hydraulic system, Part 1	SEN04967-00
402 Hydraulic system, Part 2	SEN04968-01
403 Hydraulic system, Part 3	SEN04969-00
500 Work equipment.....	SEN04970-02
600 Cab and its attachments	SEN04971-02
700 Electrical system.....	SEN04972-02
20 Standard value table.....	SEN04926-03
100 Standard service value table.....	SEN05118-03
30 Testing and adjusting	SEN04927-05
101 Testing and adjusting, Part 1.....	SEN05119-02
102 Testing and adjusting, Part 2.....	SEN05120-03
103 Testing and adjusting, Part 3.....	SEN05121-02
104 Testing and adjusting, Part 4.....	SEN05122-01
40 Troubleshooting.....	SEN04928-03
100 Failure code table and fuse locations	SEN05029-01
200 General information on troubleshooting.....	SEN05030-01
301 Troubleshooting by failure code (Display of code), Part 1	SEN05031-00
302 Troubleshooting by failure code (Display of code), Part 2	SEN05032-01
303 Troubleshooting by failure code (Display of code), Part 3	SEN05033-01
304 Troubleshooting by failure code (Display of code), Part 4	SEN05034-01

305	Troubleshooting by failure code (Display of code), Part 5.....	SEN05035-01
306	Troubleshooting by failure code (Display of code), Part 6.....	SEN05036-01
400	Troubleshooting of electrical system (E-mode)	SEN05037-01
500	Troubleshooting of hydraulic and mechanical system (H-mode).....	SEN05038-00
600	Troubleshooting of engine (S-mode)	SEN05039-00
50	Disassembly and assembly	SEN04929-06
100	General information on disassembly and assembly.....	SEN05110-01
200	Engine and cooling system	SEN05111-01
300	Power train	SEN05112-02
400	Undercarriage and frame	SEN05113-04 ●
500	Hydraulic system	SEN05114-00
600	Work equipment	SEN05115-01 ●
700	Cab and its attachments.....	SEN05116-01
800	Electrical system	SEN05117-00
80	Appendix.....	SEN05040-00
100	Air conditioner	SEN05041-00
90	Diagrams and drawings.....	SEN04930-04
100	Hydraulic diagrams and drawings	SEN04934-02
200	Electrical diagrams and drawings.....	SEN04935-03

Table of contents

00 Index and foreword

100 Index	SEN04931-14
Composition of shop manual.....	2
Table of contents	4
200 Foreword and general information	SEN04932-01
Safety notice	2
How to read the shop manual	7
Explanation of terms for maintenance standard.....	9
Handling of electric equipment and hydraulic component.....	11
Handling of connectors newly used for engines.....	20
How to read electric wire code	23
Precautions when carrying out operation.....	26
Method of disassembling and connecting push-pull type coupler.....	29
Standard tightening torque table	32
Conversion table	36

01 General

100 Specification and technical data.....	SEN04933-03
Specification dimension drawing.....	2
Specifications	8
Weight table	20
Table of fuel, coolant and lubricants.....	24

10 Structure, function and maintenance standard

100 Engine and cooling system	SEN04963-01
Engine mount.....	3
Cooling system.....	4
Cooling fan pump.....	6
Cooling fan motor.....	20
Coolant preheater (subextremely cold weather spec.).....	26
201 Power train, Part 1	SEN04964-01
Power train	2
HSS system	4
Overall view of power train unit.....	6
Power train hydraulic piping diagram.....	10
Transmission, steering and brake control	12
Damper	14
Universal joint.....	16
Torque converter and PTO.....	17
Transmission.....	24
Transmission control valve.....	42
ECMV.....	46
Main relief and torque converter relief valve	54
Main relief and torque converter relief valve (subextremely cold weather spec.)	56
Transmission lubrication relief valve	58
202 Power train, Part 2	SEN04965-01
Bevel gear shaft, HSS and brake.....	2
Brake valve	24
Final drive.....	30
Final drive (Planetary gear installed inside of sprocket type).....	36
300 Undercarriage and frame	SEN04966-04
Main frame	2
Suspension	4
Track frame and idler cushion.....	14
Idler	18

Idler (Without idler support automatic thrust adjustment)	20
Track roller.....	22
Carrier roller.....	26
Sprocket.....	28
Track shoe.....	32
401 Hydraulic system, Part 1	SEN04967-00
Work equipment hydraulic system layout drawing	2
Work equipment control.....	6
Hydraulic tank and filter	8
Scavenging pump.....	10
Power train and steering lubrication pump	11
HSS pump	12
HSS motor	31
402 Hydraulic system, Part 2	SEN04968-01
Control valve.....	2
CLSS	11
Function and operation of each valve.....	14
403 Hydraulic system, Part 3	SEN04969-00
PPC valve (blade lift, blade tilt).....	2
PPC valve (ripper)	8
Electric lever (steering).....	12
Quick drop valve.....	16
Work equipment lock solenoid valve	18
Pitch selector solenoid valve	22
Hydraulic oil cooler bypass valve	23
Accumulator.....	24
500 Work equipment	SEN04970-02
Blade	2
Cutting edge and end bit	10
Ripper (Multi shank)	12
Ripper (Single shank).....	13
Hydraulic cylinder	14
Piston valve	18
600 Cab and its attachments.....	SEN04971-02
Cab mount.....	2
Cab.....	3
Subextremely cold spec. cab (subextremely cold weather spec.).....	4
FRP canopy mount.....	5
FRP canopy.....	6
700 Electrical system	SEN04972-02
Monitor system	2
Engine control system	18
Cooling system control system.....	21
Electronic steering control system.....	23
KOMTRAX system	26
KOMTRAX terminal (for GPRS)	28
System components	29
Sensor	37
20 Standard value table	
100 Standard service value table	SEN05118-03
Standard service value table for engine	2
Standard service value table for chassis	4
30 Testing and adjusting	
101 Testing and adjusting, Part 1	SEN05119-02

Tools for testing, adjusting, and troubleshooting	2
Testing engine speed	5
Testing intake air pressure (boost pressure)	7
Testing exhaust temperature	9
Testing exhaust gas color	11
Adjusting valve clearance	12
Testing compression pressure	14
Testing blow-by pressure	18
Testing engine oil pressure	19
Handling of fuel system devices	20
Releasing residual pressure from fuel system	20
Testing fuel pressure	21
Testing fuel return and leak amount	26
Bleeding air from fuel circuit	28
Testing fuel circuit for leakage	29
Handling of reduced cylinder mode operation	30
Handling of no injection cranking operation	30
Testing and adjusting air conditioner compressor belt tension	31
Replacing alternator belt	32
Adjusting fuel control dial and decelerator pedal	33
Handling controller high-voltage circuit	34
102 Testing and adjusting, Part 2	SEN05120-03
Testing power train oil pressure	3
Adjusting transmission output shaft speed sensor (replacement procedure)	8
Simple test procedure for brake performance	9
Adjusting brake pedal	10
Adjusting parking brake lever	12
Emergency escape method when power train has trouble	14
Adjusting clearance of idler	17
Adjusting clearance of idler (without idler support automatic thrust adjustment)	18
Inspecting wear of sprocket	19
Testing and adjusting track shoe tension	20
Testing and adjusting work equipment and HSS oil pressure	21
Testing control circuit basic pressure	24
Testing PPC valve output pressure	25
Adjusting work equipment PPC valve play	27
Testing internal leakage of work equipment cylinder	31
Bleeding air from work equipment cylinder	32
Releasing residual pressure from work equipment cylinder	32
Checking parts which caused hydraulic drift of blade or ripper	33
Adjusting work equipment lock lever	34
Adjusting work equipment lock lever (FRP canopy specification)	35
Testing fan speed	37
Testing fan circuit oil pressure	38
Bleeding air from fan pump	39
Bleeding air from HSS pump	40
Adjusting straight tilt dozer	41
Adjusting play of blade center ball	43
Adjusting operator's cab	44
103 Testing and adjusting, Part 3	SEN05121-02
Special functions of machine monitor (EMMS)	2
104 Testing and adjusting, Part 4	SEN05122-01
Handling of voltage circuit of engine controller	2
Adjustment method when controller has been replaced	3
Preparation work for troubleshooting of electrical system	5
Inspection procedure of diode	9
Pm-Clinic service	10

40 Troubleshooting	
100 Failure code table and fuse locations.....	SEN05029-01
Failure codes table	2
Fuse locations	7
200 General information on troubleshooting	SEN05030-01
Points to remember when troubleshooting	2
How to proceed troubleshooting	3
Checks before troubleshooting	4
Classification and procedures for troubleshooting.....	6
Symptom supposed to be failure and troubleshooting No.....	10
Information contained in troubleshooting table	12
Troubleshooting method for disconnecting wiring harness of pressure sensor system	14
Connector list and stereogram	16
Connection table for connector pin numbers.....	30
T- branch box and T- branch adapter table	66
301 Troubleshooting by failure code (Display of code), Part 1	SEN05031-00
Failure code [1500L0] Transmission clutch: Abnormal.....	3
Failure code [15SAL1] Forward clutch: Fill high	4
Failure code [15SALH] Forward clutch: Fill low	6
Failure code [15SBL1] Reverse clutch: Fill high.....	8
Failure code [15SBLH] Reverse clutch: Fill low.....	10
Failure code [15SEL1] Speed 1st clutch: Fill high	12
Failure code [15SELH] Speed 1st clutch: Fill low	14
Failure code [15SFL1] Speed 2nd clutch: Fill high	16
Failure code [15SFLH] Speed 2nd clutch: Fill low	18
Failure code [15SGL1] Speed 3rd clutch: Fill high	20
Failure code [15SGLH] Speed 3rd clutch: Fill low	22
Failure code [15S JL1] L/U: Fill high.....	24
Failure code [15S JLH] L/U: Fill low	26
Failure code [AB00MA] Battery Charge Abnormal	28
Failure code [B@BAZG] Eng Oil Press Low	30
Failure code [B@BCNS] Eng Water Overheat	30
Failure code [B@CENS] T/C Oil Overheat.....	31
Failure code [B@HANS] Hyd Oil Overheat	31
302 Troubleshooting by failure code (Display of code), Part 2.....	SEN05032-01
Failure code [CA111] ECM Critical Internal Failure	3
Failure code [CA115] Eng Ne and Bkup Speed Sens Error	3
Failure code [CA122] Chg Air Press Sensor High Error.....	4
Failure code [CA123] Chg Air Press Sensor Low Error.....	6
Failure code [CA131] Throttle Sensor High Error.....	8
Failure code [CA132] Throttle Sensor Low Error.....	10
Failure code [CA144] Coolant Temp Sens High Error	12
Failure code [CA145] Coolant Temp Sens Low Error	14
Failure code [CA153] Chg Air Temp Sensor High Error	16
Failure code [CA154] Chg Air Temp Sensor Low Error	18
Failure code [CA155] Chg Air Temp High Speed Derate.....	20
Failure code [CA187] Sens Supply 2 Volt Low Error	22
Failure code [CA221] Ambient Press Sens High Error.....	24
Failure code [CA222] Ambient Press Sens Low Error.....	26
Failure code [CA227] Sens Supply 2 Volt High Error	28
Failure code [CA234] Eng Overspeed.....	28
Failure code [CA238] Ne Speed Sens Supply Volt Error.....	29
Failure code [CA271] IMV/PCV1 Short Error	30
Failure code [CA272] IMV/PCV1 Open Error	32
Failure code [CA281] Abnormal supply pump pressure balance	34
Failure code [CA322] Inj #1(L#1) Open/Short Error	36
Failure code [CA323] Inj #5(L#5) Open/Short Error	38

Failure code [CA324] Inj #3(L#3) Open/Short Error.....	40
Failure code [CA325] Inj #6(L#6) Open/Short Error.....	42
Failure code [CA331] Inj #2(L#2) Open/Short Error.....	44
Failure code [CA332] Inj #4(L#4) Open/Short Error.....	46
303 Troubleshooting by failure code (Display of code), Part 3	SEN05033-01
Failure code [CA342] Calibration Code Incompatibility.....	3
Failure code [CA351] Injectors Drive Circuit Error	3
Failure code [CA352] Sens Supply 1 Volt Low Error.....	4
Failure code [CA386] Sens Supply 1 Volt High Error.....	6
Failure code [CA428] Water in Fuel Sensor High Error	8
Failure code [CA429] Water in Fuel Sensor Low Error	10
Failure code [CA435] Eng Oil Press Sw Error	12
Failure code [CA441] Battery Voltage Low Error	14
Failure code [CA442] Battery Voltage High Error.....	16
Failure code [CA449] Rail Press Very High Error	18
Failure code [CA451] Rail Press Sensor High Error	20
Failure code [CA452] Rail Press Sensor Low Error	22
Failure code [CA488] Chg Air Temp High Torque Derate	24
Failure code [CA553] Rail Press High Error.....	25
Failure code [CA559] Rail Press Low Error	26
Failure code [CA689] Eng Ne Speed Sensor Error.....	28
Failure code [CA731] Eng Bkup Speed Sens Phase Error	32
Failure code [CA757] All Continuous Data Lost Error	33
Failure code [CA778] Eng Bkup Speed Sensor Error	34
Failure code [CA1633] KOMNET Datalink Timeout Error	37
Failure code [CA2185] Throt Sens Sup Volt High Error	38
Failure code [CA2186] Throt Sens Sup Volt Low Error.....	40
Failure code [CA2249] Rail Press Very Low Error	42
Failure code [CA2265] Fuel Feed Pump Open Error	44
Failure code [CA2266] Fuel Feed Pump Short Error	46
Failure code [CA2311] IMV Solenoid Error	47
Failure code [CA2555] Grid Htr Relay Volt High Error	48
Failure code [CA2556] Grid Htr Relay Volt Low Error	50
304 Troubleshooting by failure code (Display of code), Part 4	SEN05034-01
Failure code [D110KB] Battery relay drive: Short circuit	4
Failure code [D130KA] Neutral relay: Disconnection	6
Failure code [D130KB] Neutral relay: Short circuit.....	8
Failure code [D161KA] Back-up alarm relay: Disconnection	10
Failure code [D161KB] Back-up alarm relay: Short circuit	12
Failure code [D862KA] GPS Antenna Open Circuit.....	14
Failure code [DAFRKR] CAN Disconnection	15
Failure code [DAFRMC] CAN Discon (Monitor Detected).....	16
Failure code [DB2RKR] CAN Disconnection.....	19
Failure code [DBE0KT] PT controller: Abnormality in controller	24
Failure code [DBE1KK] Battery direct Source voltage reduction	26
Failure code [DBE2KK] Solenoid Source voltage reduction	28
Failure code [DBE5KK] PT cont.: Sensor voltage 5V (1) reduction	30
Failure code [DBE6KK] PT cont.: Sensor voltage 24V reduction.....	32
Failure code [DBE7KK] PT cont.: Sensor voltage 5V (2) reduction	34
Failure code [DBE9KQ] PT controller: Type select signal.....	36
Failure code [DD12KA] Shift up Sw: Disconnection.....	38
Failure code [DD12KB] Shift up Sw: Short circuit	40
Failure code [DD13KA] Shift down Sw: Disconnection	42
Failure code [DD13KB] Shift down Sw: Short circuit.....	44
Failure code [DD14KA] Parking lever Sw: Disconnection.....	46
Failure code [DD14KB] Parking lever Sw: Short circuit	48
305 Troubleshooting by failure code (Display of code), Part 5	SEN05035-01
Failure code [DDN7KA] WEQ Knob Sw (down): Disconnection	4

Failure code [DDN7KB] WEQ Knob Sw (down): Short circuit	6
Failure code [DDN8KA] WEQ Knob Sw (up): Disconnection	8
Failure code [DDN8KB] WEQ Knob Sw (up): Short circuit	10
Failure code [DDNLKA] Weq lock Sw: Disconnection	12
Failure code [DDNLKB] Weq lock Sw: Short circuit	14
Failure code [DGS1KX] Hyd oil temp sensor: Abnormal	16
Failure code [DGT1KA] T/C oil temp sensor: Disconnection	18
Failure code [DGT1KX] T/C oil temp sensor: Short circuit	20
Failure code [DH21KA] Weq pressure sensor: Disconnection	22
Failure code [DH21KB] Weq pressure sensor: Short circuit	24
Failure code [DHT5KA] T/C pressure sensor: Disconnection	26
Failure code [DHT5KB] T/C pressure sensor: Short circuit	28
Failure code [DK10KA] Fuel control Dial: Disconnection	30
Failure code [DK10KB] Fuel control Dial: Short circuit	32
Failure code [DK30KA] ST lever 1: Disconnection	34
Failure code [DK30KB] ST lever 1: Short circuit	36
Failure code [DK30KX] ST lever: Out of normal range	38
Failure code [DK30KZ] ST lever: Disconnection or short circuit	38
Failure code [DK30L8] ST lever: Signal mismatch	39
Failure code [DK31KA] ST lever 2: Disconnection	40
Failure code [DK31KB] ST lever 2: Short circuit	42
Failure code [DK40KA] Brake potentiometer: Disconnection	44
Failure code [DK40KB] Brake potentiometer: Short circuit	46
Failure code [DK55KX] FR lever: Out of normal range	48
Failure code [DK55KZ] FR lever: Disconnection or short circuit	48
Failure code [DK55L8] FR lever: Signal mismatch	49
Failure code [DK56KA] FR lever 1: Disconnection	50
Failure code [DK56KB] FR lever 1: Short circuit	52
Failure code [DK57KA] FR lever 2: Disconnection	54
Failure code [DK57KB] FR lever 2: Short circuit	56
306 Troubleshooting by failure code (Display of code), Part 6	SEN05036-01
Failure code [DKH1KA] Pitch angle sensor: Disconnection	4
Failure code [DKH1KB] Pitch angle sensor: Short circuit	6
Failure code [DLT3KA] T/M out-speed sensor: Disconnection	8
Failure code [DLT3KB] T/M out-speed sensor: Abnormal	9
Failure code [DW5AKA] Pitch selector Sol.: Disconnection	10
Failure code [DW5AKB] Pitch selector Sol.: Short circuit	11
Failure code [DW5AKY] Pitch selector Sol.: Short circuit	12
Failure code [DW7BKA] Fan rev EPC: Disconnection	14
Failure code [DW7BKB] Fan rev EPC: Short circuit	15
Failure code [DWN1KA] Hss EPC1: Disconnection	16
Failure code [DWN1KB] Hss EPC1: Short circuit	17
Failure code [DWN1KY] Hss EPC1: Short circuit	18
Failure code [DWN2KA] Hss EPC2: Disconnection	19
Failure code [DWN2KB] Hss EPC2: Short circuit	20
Failure code [DWN2KY] Hss EPC2: Short circuit	21
Failure code [DWN5KA] Fan pump solenoid: Disconnection	22
Failure code [DWN5KB] Fan pump solenoid: Short circuit	23
Failure code [DWN5KY] Fan control solenoid: Short circuit	24
Failure code [DXA0KA] TVC Sol.: Disconnection	26
Failure code [DXA0KB] TVC Sol.: Short circuit	27
Failure code [DXA0KY] TVC Sol.: Short circuit	28
Failure code [DXH1KA] Lock-up ECMV: Disconnection	29
Failure code [DXH1KB] Lock-up ECMV: Short circuit	30
Failure code [DXH1KY] Lock-up ECMV: Short circuit	32
Failure code [DXH4KA] 1st clutch ECMV: Disconnection	34
Failure code [DXH4KB] 1st clutch ECMV: Short circuit	35
Failure code [DXH4KY] 1st clutch ECMV: Short circuit	36

Failure code [DXH5KA] 2nd clutch ECMV: Disconnection.....	37
Failure code [DXH5KB] 2nd clutch ECMV: Short circuit	38
Failure code [DXH5KY] 2nd clutch ECMV: Short circuit	39
Failure code [DXH6KA] 3rd clutch ECMV: Disconnection.....	40
Failure code [DXH6KB] 3rd clutch ECMV: Short circuit	41
Failure code [DXH6KY] 3rd clutch ECMV: Short circuit	42
Failure code [DXH7KA] R clutch ECMV: Disconnection	43
Failure code [DXH7KB] R clutch ECMV: Short circuit.....	44
Failure code [DXH7KY] R clutch ECMV: Short circuit.....	46
Failure code [DXH8KA] F clutch ECMV: Disconnection.....	48
Failure code [DXH8KB] F clutch ECMV: Short circuit	49
Failure code [DXH8KY] F clutch ECMV: Short circuit	50
Failure code [DXJ4KA] Weq lock Sol.: Disconnection	52
Failure code [DXJ4KB] Weq lock Sol.: Short circuit.....	53
400 Troubleshooting of electrical system (E-mode).....	SEN05037-01
Before troubleshooting of electrical system	3
Information in troubleshooting table	5
E-1 Engine does not start (starting motor does not turn)	7
E-2 Preheater does not operate	10
E-3 When starting switch is turned ON, machine monitor displays nothing.....	16
E-4 When starting switch is turned ON (before starting engine), basic check item lights up	18
E-5 Precaution item lights up while engine is running.....	20
E-6 Emergency stop item lights up while engine is running.....	22
E-7 Engine coolant temperature gauge does not indicate normally.....	24
E-8 Fuel gauge does not indicate properly	26
E-9 Power train oil temperature gauge (multi-gauge) does not indicate normally	29
E-10 Hydraulic temperature gauge (multi-gauge) does not indicate normally	30
E-11 Contents of display by machine monitor are different from applicable machine.....	31
E-12 Machine monitor does not display some items.....	31
E-13 Function switch does not work	31
E-14 Operation mode does not change	32
E-15 Gearshift mode does not change	32
E-16 Customize function does not operate normally	33
E-17 Customize memory function does not operate normally	33
E-18 Alarm buzzer does not sound or does not stop	34
E-19 When starting switch is turned OFF, service meter is not displayed	34
E-20 Machine monitor cannot be set in service mode	34
E-21 Horn does not sound or does not stop	35
E-22 Back-up alarm does not sound or does not stop	36
E-23 Head lamp or rear lamp does not light up	38
E-24 Windshield wiper does not operate	42
E-25 Window washer does not operate	56
E-26 KOMTRAX system does not operate correctly.....	61
500 Troubleshooting of hydraulic and mechanical system (H-mode)	SEN05038-00
Failure mode and cause table.....	2
Contents of troubleshooting table	4
H-1 There is no travel power (no drawbar pull).....	5
H-2 Machine does not move (at 2nd or 3rd speed).....	6
H-3 Machine does not move at any gear speed	7
H-4 Machine travels only in one direction, forward or in reverse	8
H-5 When gear is shifted or travel direction is changed, large time lag is made	9
H-6 Machine cannot be steered (Machine does not turn leftward or rightward)	10
H-7 Steering speed or power is low	10
H-8 Brake does not work.....	11
H-9 Overheat of power train oil	12
H-10 Abnormal sound comes out from around HSS and work equipment pump or HSS motor.....	13
H-11 All work equipment speeds are slow	13
H-12 Work equipment does not move.....	14

H-13 Blade lift speed is slow or lacks power	14
H-14 Blade tilt speed is slow or lacks power	15
H-15 Ripper lift speed is slow or lacks power	15
H-16 Excessive hydraulic drift of blade lift	16
H-17 Excessive hydraulic drift of blade tilt	16
H-18 Excessive hydraulic drift of ripper lift	17
600 Troubleshooting of engine (S-mode)	SEN05039-00
Method of using troubleshooting charts	3
S-1 Starting performance is poor.	6
S-2 Engine does not start	7
S-3 Engine does not pick up smoothly	10
S-4 Engine stops during operations	11
S-5 Engine does not rotate smoothly	12
S-6 Engine lacks output (or lacks power)	13
S-7 Exhaust smoke is black (incomplete combustion)	14
S-8 Oil consumption is excessive (or exhaust smoke is blue)	15
S-9 Oil becomes contaminated quickly	16
S-10 Fuel consumption is excessive	17
S-11 Oil is in coolant (or coolant spurts back, or coolant level goes down)	18
S-12 Oil pressure drops	19
S-13 Oil level rises (water, fuel in oil)	20
S-14 Coolant temperature becomes too high (overheating)	21
S-15 Abnormal noise is made	22
S-16 Vibration is excessive	23
50 Disassembly and assembly	
100 General information on disassembly and assembly	SEN05110-01
How to read this manual	2
Coating materials list	4
Special tool list	7
Sketches of special tools	17
200 Engine and cooling system	SEN05111-01
Removal and installation of fuel supply pump assembly	2
Removal and installation of fuel injector assembly	7
Removal and installation of cylinder head assembly	17
Removal and installation of radiator assembly	32
Removal and installation of aftercooler assembly	35
Removal and installation of hydraulic oil cooler assembly	37
Removal and installation of power train oil cooler assembly	39
Removal and installation of cooling fan drive assembly	42
Removal and installation of cooling fan motor assembly	44
Removal and installation of main body of coolant preheater (subextremely cold weather spec)	46
Removal and installation of coolant preheater fuel tank (Subextremely cold weather spec.)	50
Removal and installation of coolant preheater exhaust duct. (Subextremely cold weather spec.)	52
Removal and installation of oil pan cover of coolant preheater (subextremely cold weather spec.)	56
Removal and installation of engine assembly	57
Removal and installation of damper assembly	65
Removal and installation of engine front oil seal	68
Removal and installation of engine rear oil seal	72
Removal and installation of engine hood assembly	80
Removal and installation of fuel tank assembly	82
300 Power train	SEN05112-02
Removal and installation of power train unit assembly	2
Separation and connection of power train unit assembly	6
Disassembly and assembly of PTO assembly	11
Disassembly and assembly of torque converter assembly	16
Disassembly and assembly of transmission assembly	27

Disassembly and assembly of HSS assembly	54
Removal and installation of final drive assembly	74
Removal and installation of final drive assembly (Planetary gear installed inside of sprocket type)	76
Disassembly and assembly of final drive assembly	78
Disassembly and assembly of final drive assembly (Planetary gear installed inside of sprocket type)	86
400 Undercarriage and frame	SEN05113-04
Removal and installation of track frame assembly	2
Removal and installation of idler assembly	4
Removal and installation of idler assembly (Without idler support automatic thrust adjustment)	6
Disassembly and assembly of idler assembly	8
Disassembly and assembly of idler assembly (Without idler support automatic thrust adjustment)	12
Removal and installation of recoil spring assembly	17
Disassembly and assembly of recoil spring assembly	18
Removal and installation of track roller assembly	22
Disassembly and assembly of track roller assembly	23
Removal and installation of carrier roller assembly	27
Disassembly and assembly of carrier roller assembly	28
Expansion and installation of track shoe assembly (Conventional type track shoe)	31
Expansion and installation of track shoe assembly (PLUS type track shoe)	34
Whole disassembly and whole assembly of track shoe assembly (Conventional type track shoe)	35
Whole disassembly and whole assembly of track shoe assembly (PLUS type track shoe)	49
Field disassembly and assembly of one link (Conventional type track shoe)	61
Field disassembly and assembly of one link (PLUS type track shoe)	68
Removal and installation of pivot shaft assembly	73
Removal and installation of equalizer bar assembly	74
Disassembly and assembly of equalizer bar side bushing	76
500 Hydraulic system	SEN05114-00
Removal and installation of hydraulic tank assembly	2
Removal and installation of control valve assembly	5
Disassembly and assembly of control valve assembly	8
Disassembly and assembly of blade lift and tilt PPC valve assembly	10
Disassembly and assembly of ripper PPC valve assembly	11
Removal and installation of HSS and cooling fan pump assembly	12
Removal and installation of power train and lubrication pump assembly	14
Removal and installation of scavenging pump assembly	16
Removal and installation of HSS motor assembly	17
Disassembly and assembly of hydraulic cylinder assembly	20
600 Work equipment	SEN05115-01
Removal and installation of blade assembly (ST-TPP dozer)	2
Removal and installation of blade assembly (PAT dozer)	5
Removal and installation of ripper assembly	8
700 Cab and its attachments	SEN05116-01
Removal and installation of ROPS cab assembly	2
Removal and installation of FRP canopy (FRP canopy specification)	9
Removal and installation of floor frame assembly (FRP canopy specification)	10
Removal and installation of operator's cab glass (Stuck glass)	14
Removal and installation of air conditioner unit assembly	20
Removal and installation of air conditioner compressor assembly	24
800 Electrical system	SEN05117-00
Removal and installation of monitor panel assembly	2
Removal and installation of engine controller assembly	4
Removal and installation of power train controller assembly	6
Removal and installation of KOMTRAX terminal assembly	8
80 Appendix	
100 Air conditioner	SEN05041-00
Structure and function	4

Air conditioner component	4
Configuration and function of refrigerating cycle	6
Outline of refrigerating cycle	7
Air conditioner unit	10
Control plate	14
Compressor	15
Condenser	16
Receiver drier	17
Testing, adjusting and troubleshooting	18
Caution about refrigerant	18
Troubleshooting procedure	19
Block diagram	20
Circuit diagram and arrangement of connector pins	22
Detail of air conditioner unit	24
Parts and connectors arrangement	26
Testing air leakage (duct)	32
Testing with self-diagnosis function	34
Testing temperature control	37
Testing vent (mode) changeover	39
Testing Recirc/Fresh changeover	42
Testing inner sensor	43
Testing evaporator temperature sensor	44
Testing sunlight sensor	47
Testing (dual) pressure switch for refrigerant	48
Testing relays and diodes	50
Troubleshooting chart 1	52
Troubleshooting chart 2	53
Troubleshooting for electrical system (E mode)	56
E-1 Power supply system (Air conditioner does not operate)	57
E-2 Compressor and refrigerant system (Air is not cooled)	60
E-3 Blower motor system (No air comes out or air flow is abnormal)	63
E-4 Temperature cannot be controlled	66
E-5 Vent (mode) cannot be changed over	68
E-6 Recirc/Fresh air cannot be changed over	70
Troubleshooting with gauge pressure	72
Connection of service tool	75
Precautions for connecting air conditioner piping	76
Handling of compressor oil	77
1. Control of compressor oil (Denso: ND-OIL8: For R134a)	77
2. Adding of compressor oil	77
3. Compressor replacement	78
4. Applying compressor oil for O-ring	78
90 Diagrams and drawings	
100 Hydraulic diagrams and drawings	SEN04934-02
Power train hydraulic circuit diagram	3
Work equipment hydraulic circuit diagram	7
200 Electrical diagrams and drawings	SEN04935-03
Electrical circuit diagram	3
Electrical circuit diagram (sand terrain specification)	45
Electrical circuit diagram (FRP canopy specification)	51

D65EX-16, D65PX-16, D65WX-16 Bulldozer

Form No. SEN04931-14

©2017 KOMATSU
All Rights Reserved
Printed in Japan 12-17 (01)

BULLDOZER

D65EX-16

D65PX-16

D65WX-16

Machine model	Serial number
D65EX-16	80001 and up
D65PX-16	80001 and up
D65WX-16	80001 and up

00 Index and foreword

200 Foreword and general information


Safety notice	2
How to read the shop manual	7
Explanation of terms for maintenance standard	9
Handling of electric equipment and hydraulic component	11
Handling of connectors newly used for engines	20
How to read electric wire code	23
Precautions when carrying out operation	26
Method of disassembling and connecting push-pull type coupler	29
Standard tightening torque table	32
Conversion table	36

Safety notice


(Rev. 2008/08-a)

Important safety notice

Proper service and repair are extremely important for safe machine operation. The service and repair techniques recommended by Komatsu and described in this manual are both effective and safe. Some of these techniques require the use of tools specially designed by Komatsu for the specific purpose.

To prevent injury to workers, the symbol  is used to mark safety precautions in this manual. The cautions accompanying these symbols should always be followed carefully. If any dangerous situation arises or may possibly arise, first consider safety, and take the necessary actions to deal with the situation.

1. General precautions

 **Mistakes in operation are extremely dangerous. Read the Operation and Maintenance Manual carefully before operating the machine. In addition, read this manual and understand its contents before starting the work.**

- 1) Before carrying out any greasing or repairs, read all the safety labels stuck to the machine. For the locations of the safety labels and detailed explanation of precautions, see the Operation and Maintenance Manual.
- 2) Decide a place in the repair workshop to keep tools and removed parts. Always keep the tools and parts in their correct places. Always keep the work area clean and make sure that there is no dirt, water, or oil on the floor. Smoke only in the areas provided for smoking. Never smoke while working.
- 3) When carrying out any operation, always wear safety shoes and helmet. Do not wear loose work clothes, or clothes with buttons missing.
 - Always wear safety glasses when hitting parts with a hammer.
 - Always wear safety glasses when grinding parts with a grinder, etc.
- 4) When carrying out any operation with 2 or more workers, always agree on the operating procedure before starting. Always inform your fellow workers before starting any step of the operation. Before starting work, hang UNDER REPAIR warning signs in the operator's compartment.
- 5) Only qualified workers must carry out work and operation which require license or qualification.
- 6) Keep all tools in good condition, learn the correct way to use them, and use the proper ones of them. Before starting work, thoroughly check the tools, machine, forklift, service car, etc.
- 7) If welding repairs are needed, always have a trained and experienced welder carry out the work. When carrying out welding work, always wear welding gloves, apron, shielding goggles, cap and other clothes suited for welding work.
- 8) Before starting work, warm up your body thoroughly to start work under good condition.
- 9) Avoid continuing work for long hours and take rests at proper intervals to keep your body in good condition. Take rests in specified safe places.

Safety points

1	Good arrangement
2	Correct work clothes
3	Following work standard
4	Making and checking signs
5	Prohibition of operation and handling by unlicensed workers
6	Safety check before starting work
7	Wearing protective goggles (for cleaning or grinding work)
8	Wearing shielding goggles and protectors (for welding work)
9	Good physical condition and preparation
10	Precautions against work which you are not used to or you are used to too much

2. Preparations for work

- 1) Before adding oil or making any repairs, park the machine on a hard and level ground, and apply the parking brake and block the wheels or tracks to prevent the machine from moving.
- 2) Before starting work, lower the work equipment (blade, ripper, bucket, etc.) to the ground. If this is not possible, insert the lock pin or use blocks to prevent the work equipment from falling. In addition, be sure to lock all the control levers and hang warning signs on them.
- 3) When disassembling or assembling, support the machine with blocks, jacks, or stands before starting work.
- 4) Remove all mud and oil from the steps or other places used to get on and off the machine. Always use the handrails, ladders or steps when getting on or off the machine. Never jump on or off the machine. If it is impossible to use the handrails, ladders or steps, use a stand to provide safe footing.

3. Precautions during work

- 1) Before disconnecting or removing components of the oil, water, or air circuits, first release the pressure completely from the circuit. When removing the oil filler cap, a drain plug, or an oil pressure pickup plug, loosen it slowly to prevent the oil from spurting out.
- 2) The coolant and oil in the circuits are hot when the engine is stopped, so be careful not to get scalded. Wait for the oil and coolant to cool before carrying out any work on the oil or water circuits.
- 3) Before starting work, stop the engine. When working on or around a rotating part, in particular, stop the engine. When checking the machine without stopping the engine (measuring oil pressure, revolving speed, temperature, etc.), take extreme care not to get rolled or caught in rotating parts or moving parts.
- 4) Before starting work, remove the leads from the battery. Always remove the lead from the negative (-) terminal first.
- 5) When raising a heavy component (heavier than 25 kg), use a hoist or crane. Before starting work, check that the slings (wire ropes, chains, and hooks) are free from damage. Always use slings which have ample capacity and install them to proper places. Operate the hoist or crane slowly to prevent the component from hitting any other part. Do not work with any part still raised by the hoist or crane.
- 6) When removing a cover which is under internal pressure or under pressure from a spring, always leave 2 bolts in diagonal positions. Loosen those bolts gradually and alternately to release the pressure, and then remove the cover.
- 7) When removing components, be careful not to break or damage the electrical wiring. Damaged wiring may cause electrical fires.
- 8) When removing piping, stop the fuel or oil from spilling out. If any fuel or oil drips onto the floor, wipe it up immediately. Fuel or oil on the floor can cause you to slip and can even start fires.
- 9) As a general rule, do not use gasoline to wash parts. Do not use it to clean electrical parts, in particular.
- 10) Be sure to assemble all parts again in their original places. Replace any damaged parts and parts which must not be reused with new parts. When installing hoses and wires, be sure that they will not be damaged by contact with other parts when the machine is operated.
- 11) When installing high pressure hoses, make sure that they are not twisted. Damaged tubes are dangerous, so be extremely careful when installing tubes for high pressure circuits. In addition, check that connecting parts are correctly installed.
- 12) When assembling or installing parts, always tighten them to the specified torques. When installing protective parts such as guards, or parts which vibrate violently or rotate at high speed, be particularly careful to check that they are installed correctly.
- 13) When aligning 2 holes, never insert your fingers or hand. Be careful not to get your fingers caught in a hole.
- 14) When measuring hydraulic pressure, check that the measuring tools are correctly assembled.
- 15) Take care when removing or installing the tracks of track-type machines. When removing the track, the track separates suddenly, so never let anyone stand at either end of the track.
- 16) If the engine is operated for a long time in a place which is not ventilated well, you may suffer from gas poisoning. Accordingly, open the windows and doors to ventilate well.

4. Precautions for sling work and making signs

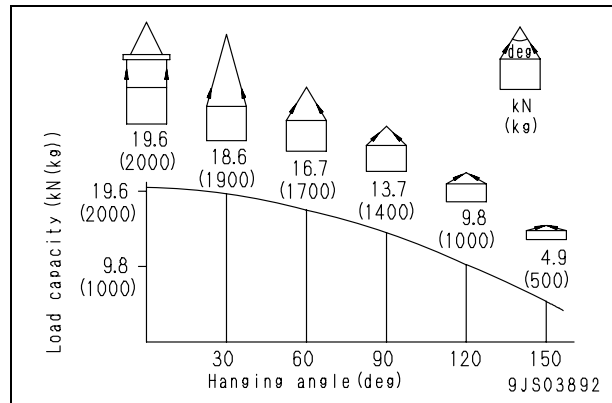
1) Only one appointed worker must make signs and co-workers must communicate with each other frequently. The appointed sign maker must make specified signs clearly at a place where he is well seen from the operator's seat and where he can see the working condition easily. The sign maker must always stand in front of the load and guide the operator safely.

- Do not stand under the load.
- Do not step on the load.

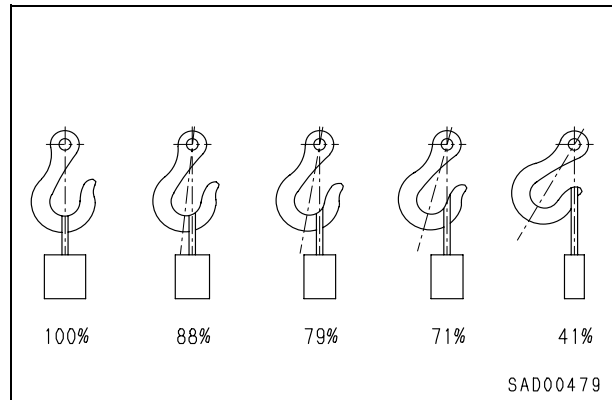
- 2) Check the slings before starting sling work.
- 3) Keep putting on gloves during sling work. (Put on leather gloves, if available.)
- 4) Measure the weight of the load by the eye and check its center of gravity.
- 5) Use proper sling according to the weight of the load and method of slinging. If too thick wire ropes are used to sling a light load, the load may slip and fall.
- 6) Do not sling a load with 1 wire rope alone. If it is slung so, it may rotate and may slip out of the rope. Install 2 or more wire ropes symmetrically.

⚠ Slinging with 1 rope may cause turning of the load during hoisting, untwisting of the rope, or slipping of the rope from its original winding position on the load, which can result in a dangerous accident.

7) Limit the hanging angle to 60°, as a rule. Do not sling a heavy load with ropes forming a wide hanging angle from the hook. When hoisting a load with 2 or more ropes, the force subjected to each rope will increase with the hanging angle. The table below shows the variation of allowable load in kN {kg} when hoisting is made with 2 ropes, each of which is allowed to sling up to 9.8 kN {1,000 kg} vertically, at various hanging angles. When the 2 ropes sling a load vertically, up to 19.6 kN {2,000 kg} of total weight can be suspended. This weight is reduced to 9.8 kN {1,000 kg} when the 2 ropes make a hanging angle of 120°. If the 2 ropes sling a 19.6 kN {2,000 kg} load at a lifting angle of 150°, each of them is subjected to a force as large as 39.2 kN {4,000 kg}.



- 8) When installing wire ropes to an angular load, apply pads to protect the wire ropes. If the load is slippery, apply proper material to prevent the wire rope from slipping.
- 9) Use the specified eyebolts and fix wire ropes, chains, etc. to them with shackles, etc.
- 10) Apply wire ropes to the middle portion of the hook.
 - Slinging near the tip of the hook may cause the rope to slip off the hook during hoisting. The hook has the maximum strength at the middle portion.




- 11) Do not use twisted or kinked wire ropes.
- 12) When lifting up a load, observe the following.
 - Wind in the crane slowly until wire ropes are stretched. When settling the wire ropes with the hand, do not grasp them but press them from above. If you grasp them, your fingers may be caught.
 - After the wire ropes are stretched, stop the crane and check the condition of the slung load, wire ropes, and pads.

- If the load is unstable or the wire rope or chains are twisted, lower the load and lift it up again.
 - Do not lift up the load slantingly.
- 13) When lifting down a load, observe the following.
- When lifting down a load, stop it temporarily at 30 cm above the floor, and then lower it slowly.
 - Check that the load is stable, and then remove the sling.
 - Remove kinks and dirt from the wire ropes and chains used for the sling work, and put them in the specified place.

5. Precautions for using mobile crane

- ★ Read the Operation and Maintenance Manual of the crane carefully in advance and operate the crane safely.

6. Precautions for using overhead hoist crane

▲ When raising a heavy part (heavier than 25 kg), use a hoist, etc. In Disassembly and assembly, the weight of a part heavier than 25 kg is indicated after the mark of .

- 1) Before starting work, inspect the wire ropes, brake, clutch, controller, rails, over wind stop device, electric shock prevention earth leakage breaker, crane collision prevention device, and power application warning lamp, and check safety.
- 2) Observe the signs for sling work.
- 3) Operate the hoist at a safe place.
- 4) Check the direction indicator plates (east, west, south, and north) and the directions of the control buttons without fail.
- 5) Do not sling a load slantingly. Do not move the crane while the slung load is swinging.
- 6) Do not raise or lower a load while the crane is moving longitudinally or laterally.
- 7) Do not drag a sling.
- 8) When lifting up a load, stop it just after it leaves the ground and check safety, and then lift it up.
- 9) Consider the travel route in advance and lift up a load to a safe height.
- 10) Place the control switch on a position where it will not be an obstacle to work and passage.
- 11) After operating the hoist, do not swing the control switch.
- 12) Remember the position of the main switch so that you can turn off the power immediately in an emergency.

- 13) If the hoist stops because of a power failure, turn the power switch OFF. When turning on a switch which was turned OFF by the electric shock prevention earth leakage breaker, check that the devices related to that switch are not in operation state.
- 14) If you find an obstacle around the hoist, stop the operation.
- 15) After finishing the work, stop the hoist at the specified position and raise the hook to at least 2 m above the floor. Do not leave the sling installed to the hook.

7. Selecting wire ropes

- 1) Select adequate ropes depending on the weight of parts to be hoisted, referring to the table below.

Wire ropes
(Standard "Z" twist ropes without galvanizing)
(JIS G3525, No. 6, Type 6X37-A)

Nominal diameter of rope mm	Allowable load	
	kN	ton
10	8.8	0.9
12	12.7	1.3
14	17.3	1.7
16	22.6	2.3
18	28.6	2.9
20	35.3	3.6
25	55.3	5.6
30	79.6	8.1
40	141.6	14.4
50	221.6	22.6
60	318.3	32.4

- ★ The allowable load is one-sixth of the breaking strength of the rope used (Safety coefficient: 6).

8. Precautions for disconnecting and connecting hoses and tubes in air conditioner circuit

1) Disconnection

⚠ For the environment, the air conditioner of this machine uses the refrigerant (air conditioner gas: R134a) which has fewer factors of the depletion of the ozone layer. However, it does not mean that you may discharge the refrigerant into the atmosphere as it is. Be sure to recover the refrigerant when disconnecting the refrigerant gas circuit and then reuse it.

★ Ask professional traders for collecting and filling operation of refrigerant (R134a).

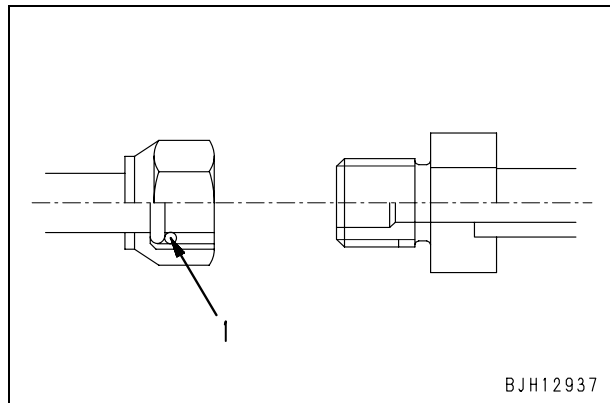
★ Never release the refrigerant (R134a) to the atmosphere.

⚠ If the refrigerant gas gets in your eyes or contacts your skin, you may lose your sight and your skin may be frozen. Accordingly, put on safety glasses, safety gloves and safety clothes when recovering or adding the refrigerant. Refrigerant gas must be recovered and added by a qualified person.

2) Connection

- 1] When installing the air conditioner circuit hoses and tubes, take care that dirt, dust, water, etc. will not enter them.
- 2] When connecting the air conditioner hoses and tubes, check that O-rings (1) are fitted to their joints.
- 3] Check that each O-ring is not damaged or deteriorated.
- 4] When connecting the refrigerant piping, apply compressor oil for refrigerant (R134a) (**DENSO: ND-OIL8, VALEO THERMAL SYSTEMS: ZX100PG (equivalent to PAG46)**) to its O-rings.

★ Example of O-ring (Fitted to every joint of hoses and tubes)



★ For tightening torque, see the precautions for installation in each section of "Disassembly and assembly".

How to read the shop manual

- Some attachments and optional parts in this shop manual may not be delivered to certain areas. If one of them is required, consult KOMATSU distributors.
- Materials and specifications are subject to change without notice.
- Shop manuals are divided into the “Chassis volume” and “Engine volume”. For the engine unit, see the engine volume of the engine model mounted on the machine.

1. Composition of shop manual

This shop manual contains the necessary technical information for services performed in a workshop. For ease of understanding, the manual is divided into the following sections.

00. Index and foreword

This section explains the shop manuals list, table of contents, safety, and basic information.

01. Specification

This section explains the specifications of the machine.

10. Structure, function and maintenance standard

This section explains the structure, function, and maintenance standard values of each component. The structure and function sub-section explains the structure and function of each component. It serves not only to give an understanding of the structure, but also serves as reference material for troubleshooting. The maintenance standard sub-section explains the criteria and remedies for disassembly and service.

20. Standard value table

This section explains the standard values for new machine and judgement criteria for testing, adjusting, and troubleshooting. This standard value table is used to check the standard values in testing and adjusting and to judge parts in troubleshooting.

30. Testing and adjusting

This section explains measuring instruments and measuring methods for testing and adjusting, and method of adjusting each part. The standard values and judgement criteria for testing and adjusting are explained in Testing and adjusting.

40. Troubleshooting

This section explains how to find out failed parts and how to repair them. The troubleshooting is divided by failure modes. The “S mode” of the troubleshooting related to the engine may be also explained in the Chassis volume and Engine volume. In this case, see the Chassis volume.

50. Disassembly and assembly

This section explains the special tools and procedures for removing, installing, disassembling, and assembling each component, as well as precautions for them. In addition, tightening torque and quantity and weight of coating material, oil, grease, and coolant necessary for the work are also explained.

80. Appendix

This section explains the equipments which cannot be included in the other sections. This section explains the structure, function, testing, adjusting, and troubleshooting of the equipments.

90. Diagrams and drawings (chassis volume)/Repair and replacement of parts (engine volume)

- Chassis volume
This section gives hydraulic circuit diagrams and electrical circuit diagrams.
- Engine volume
This section explains the method of reproducing, repairing, and replacing parts.

2. Revision and distribution

Any additions, revisions, or other change of notices will be sent to KOMATSU distributors. Get the most up-to-date information before you start any work.

3. Filing method

File by the brochures in the correct order of the form number printed in the shop manual composition table.

- **Revised edition mark**



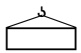
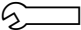
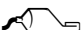


When a manual is revised, the ones and tens digits of the form number of each brochure is increased by 1. (Example: 00, 01, 02 ...)

- **Revisions**

Revised brochures are shown in the shop manual composition table.

4. Symbols

Important safety and quality portions are marked with the following symbols so that the shop manual will be used practically.

Symbol	Item	Remarks
	Safety	Special safety precautions are necessary when performing work.
	Caution	Special technical precautions or other precautions for preserving standards are necessary when performing work.
	Weight	Weight of parts of component or parts. Caution necessary when selecting hoisting wire, or when working posture is important, etc.
	Tightening torque	Places that require special attention for tightening torque during assembly.
	Coat	Places to be coated with adhesives, etc. during assembly.
	Oil, coolant	Places where oil, etc. must be added, and capacity.
	Drain	Places where oil, etc. must be drained, and quantity to be drained.

5. Units

In this shop manual, the units are indicated with International System of units (SI). For reference, conventionally used Gravitational System of units is indicated in parentheses { }.

Explanation of terms for maintenance standard

The maintenance standard chapter explains the criteria for replacing or reusing products and parts in the machine maintenance work. The following terms are used to explain the criteria.

1. Standard size and tolerance

- To be accurate, the finishing size of parts is a little different from one to another.
- To specify a finishing size of a part, a temporary standard size is set and an allowable difference from that size is indicated.
- The above size set temporarily is called the “standard size” and the range of difference from the standard size is called the “tolerance”.
- The tolerance with the symbols of + or – is indicated on the right side of the standard size.

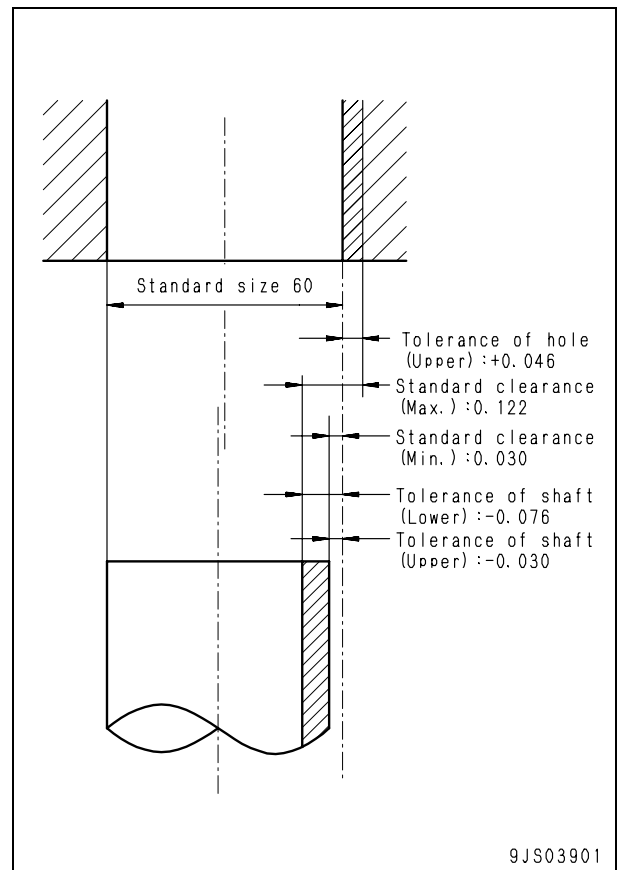
Example:

Standard size	Tolerance
120	-0.022 -0.126

- ★ The tolerance may be indicated in the text and a table as [standard size (upper limit of tolerance/lower limit of tolerance)].
 Example) 120 (-0.022/-0.126)
- Usually, the size of a hole and the size of the shaft to be fitted to that hole are indicated by the same standard size and different tolerances of the hole and shaft. The tightness of fit is decided by the tolerance.
- Indication of size of rotating shaft and hole and relationship drawing of them

Example:

Standard size	Tolerance	
	Shaft	Hole
60	-0.030	+0.046
	-0.076	0



2. Standard clearance and standard value

- The clearance made when new parts are assembled is called the “standard clearance”, which is indicated by the range from the minimum clearance to the maximum clearance.
- When some parts are repaired, the clearance is generally adjusted to the standard clearance.
- A value of performance and function of new products or equivalent is called the “standard value”, which is indicated by a range or a target value.
- When some parts are repaired, the value of performance/function is set to the standard value.

3. Standard interference

- When the diameter of a hole of a part shown in the given standard size and tolerance table is smaller than that of the mating shaft, the difference between those diameters is called the “interference”.
- The range (A – B) from the difference (A) between the minimum size of the shaft and the maximum size of the hole to the difference (B) between the maximum size of the shaft and the minimum size of the hole is the “standard interference”.
- After repairing or replacing some parts, measure the size of their hole and shaft and check that the interference is in the standard range.

4. Repair limit and allowable value or allowable dimension

- The size of a part changes because of wear and deformation while it is used. The limit of changed size is called the “repair limit”.
- If a part is worn to the repair limit, it must be replaced or repaired.
- The performance and function of a product lowers while it is used. A value which the product can be used without causing a problem is called the “allowable value” or “allowable dimension”.
- If a product is worn to the allowable value, it must be checked or repaired. Since the permissible value is estimated from various tests or experiences in most cases, however, it must be judged after considering the operating condition and customer's requirement.

5. Clearance limit

- Parts can be used until the clearance between them is increased to a certain limit. The limit at which those parts cannot be used is called the “clearance limit”.
- If the clearance between the parts exceeds the clearance limit, they must be replaced or repaired.

6. Interference limit

- The allowable maximum interference between the hole of a part and the shaft of another part to be assembled is called the “interference limit”.
- The interference limit shows the repair limit of the part of smaller tolerance.
- If the interference between the parts exceeds the interference limit, they must be replaced or repaired.

Handling of electric equipment and hydraulic component

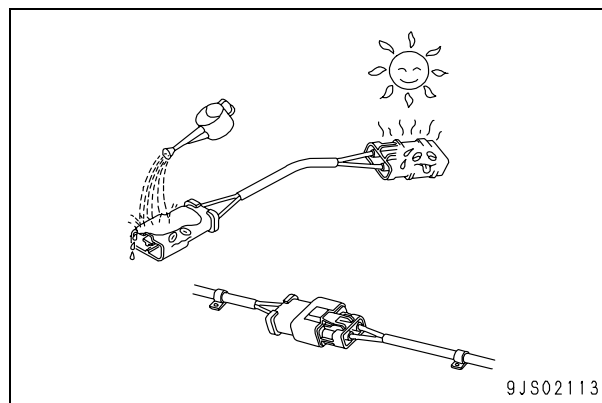
To maintain the performance of the machine over a long period, and to prevent failures or other troubles before they occur, correct “operation”, “maintenance and inspection”, “troubleshooting”, and “repairs” must be carried out. This section deals particularly with correct repair procedures for mechatronics and is aimed at improving the quality of repairs. For this purpose, it gives sections on “Handling electric equipment” and “Handling hydraulic equipment” (particularly gear oil and hydraulic oil).

Points to remember when handling electric equipment

1. Handling wiring harnesses and connectors

Wiring harnesses consist of wiring connecting one component to another component, connectors used for connecting and disconnecting one wire from another wire, and protectors or tubes used for protecting the wiring.

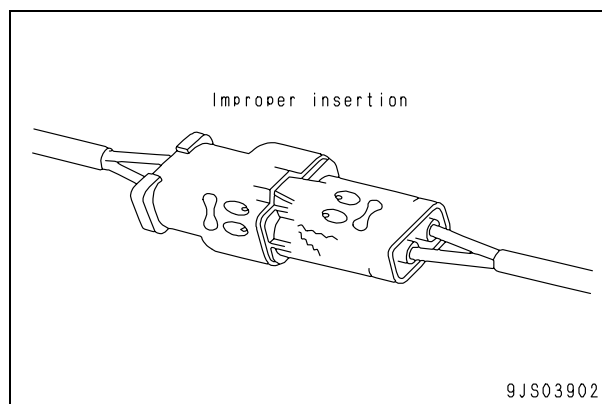
Compared with other electrical components fitted in boxes or cases, wiring harnesses are more likely to be affected by the direct effects of rain, water, heat, or vibration. Furthermore, during inspection and repair operations, they are frequently removed and installed again, so they are likely to suffer deformation or damage. For this reason, it is necessary to be extremely careful when handling wiring harnesses.



2. Main failures occurring in wiring harness

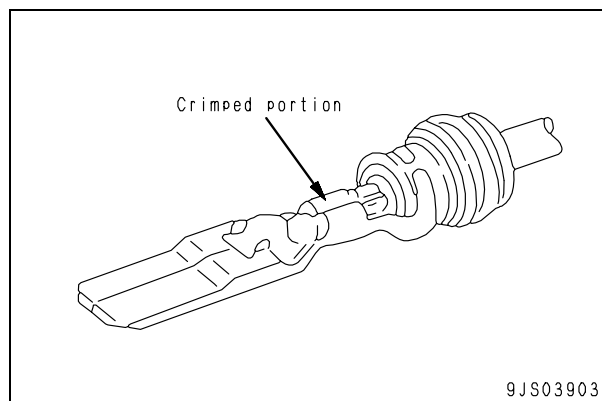
1) Defective contact of connectors (defective contact between male and female)

Problems with defective contact are likely to occur because the male connector is not properly inserted into the female connector, or because one or both of the connectors is deformed or the position is not correctly aligned, or because there is corrosion or oxidization of the contact surfaces. The corroded or oxidized contact surfaces may become shiny again (and contact may become normal) by connecting and disconnecting the connector about 10 times.

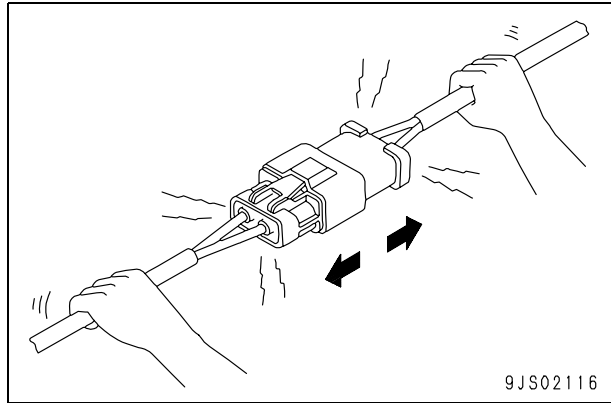


2) Defective crimping or soldering of connectors

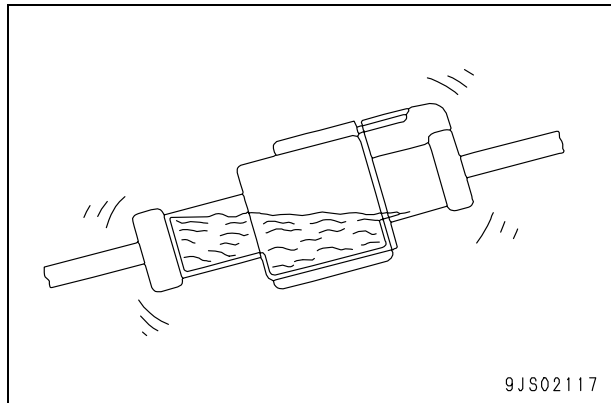
The pins of the male and female connectors are in contact at the crimped terminal or soldered portion, but if there is excessive force brought to bear on the wiring, the plating at the joint will peel and cause improper connection or breakage.



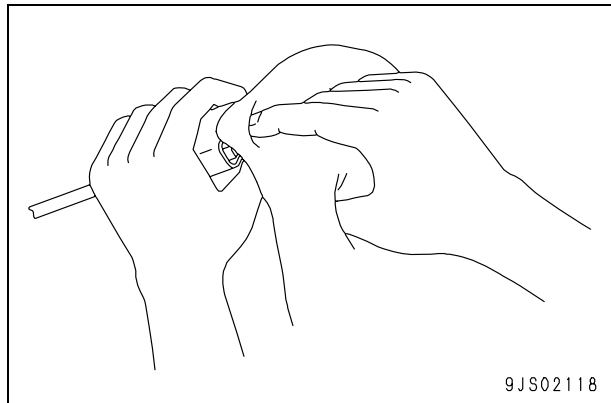
- 3) Disconnections in wiring
 If the wiring is held and the connectors are pulled apart, or components are lifted with a crane with the wiring still connected, or a heavy object hits the wiring, the crimping of the connector may separate, or the soldering may be damaged, or the wiring may be broken.



- 4) High-pressure water entering connector
 The connector is designed to make it difficult for water to enter (drip-proof structure), but if high-pressure water is sprayed directly on the connector, water may enter the connector, depending on the direction of the water jet. Accordingly, take care not to splash water over the connector. The connector is designed to prevent water from entering, but at the same time, if water does enter, it is difficult for it to be drained. Therefore, if water should get into the connector, the pins will be short-circuited by the water, so if any water gets in, immediately dry the connector or take other appropriate action before passing electricity through it.



- 5) Oil or dirt stuck to connector
 If oil or grease are stuck to the connector and an oil film is formed on the mating surface between the male and female pins, the oil will not let the electricity pass, so there will be defective contact. If there is oil or grease stuck to the connector, wipe it off with a dry cloth or blow it dry with compressed air and spray it with a contact restorer.



- ★ When wiping the mating portion of the connector, be careful not to use excessive force or deform the pins.
- ★ If there is oil or water in the compressed air, the contacts will become even dirtier, so remove the oil and water from the compressed air completely before cleaning with compressed air.

3. Removing, installing, and drying connectors and wiring harnesses

1) Disconnecting connectors

- 1] Hold the connectors when disconnecting.

When disconnecting the connectors, hold the connectors. For connectors held by a screw, loosen the screw fully, then hold the male and female connectors in each hand and pull apart. For connectors which have a lock stopper, press down the stopper with your thumb and pull the connectors apart.

★ Never pull with one hand.

- 2] When removing from clips

- Both of the connector and clip have stoppers, which are engaged with each other when the connector is installed.

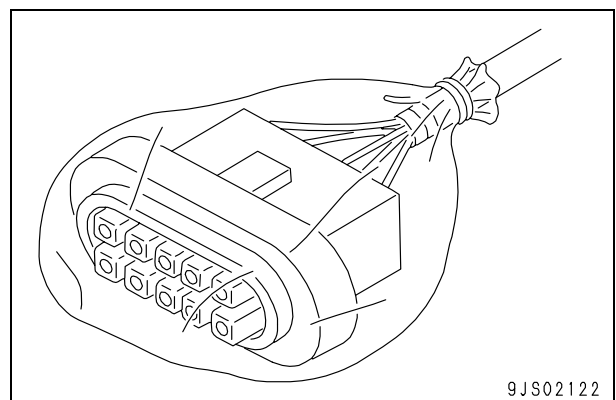
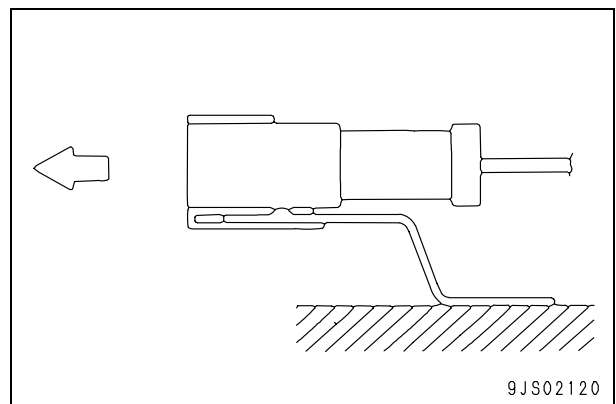
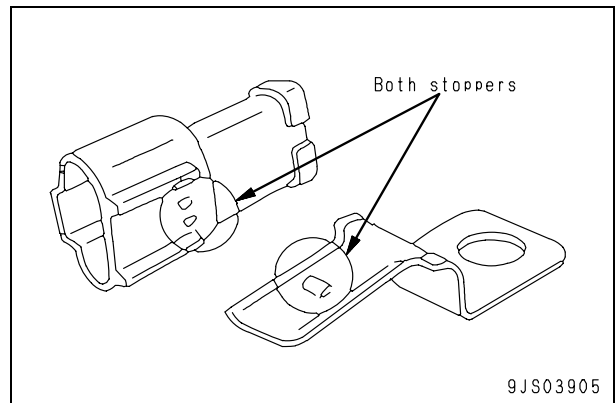
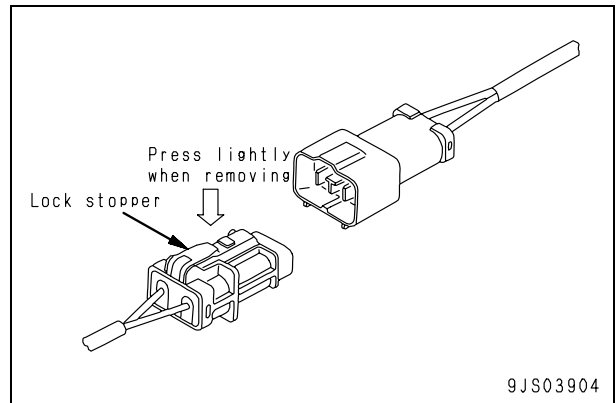
- When removing a connector from a clip, pull the connector in a parallel direction to the clip for removing stoppers.

★ If the connector is twisted up and down or to the left or right, the housing may break.

- 3] Action to take after removing connectors

After removing any connector, cover it with a vinyl bag to prevent any dust, dirt, oil, or water from getting in the connector portion.

★ If the machine is left disassembled for a long time, it is particularly easy for improper contact to occur, so always cover the connector.



2) Connecting connectors

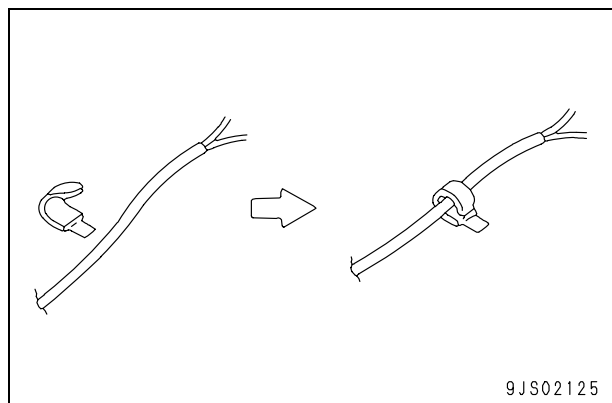
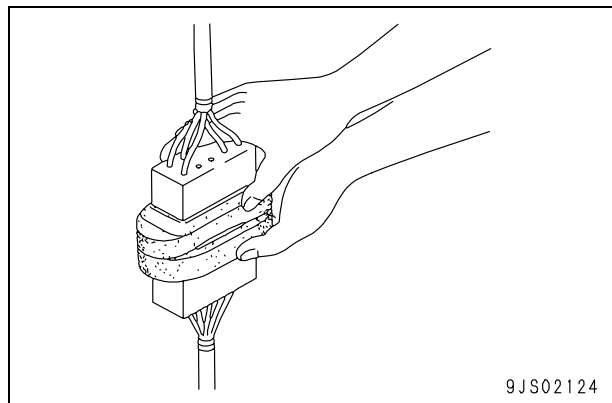
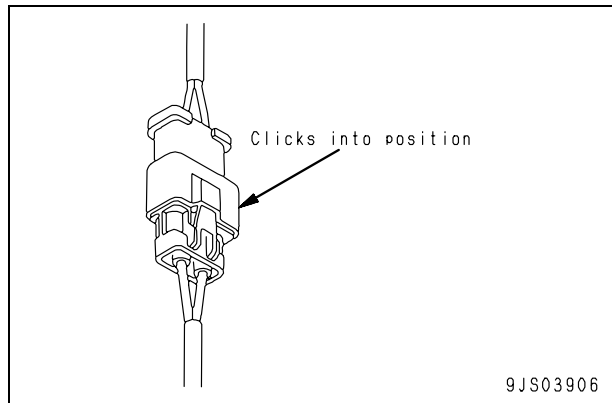
- 1] Check the connector visually.
 Check that there is no oil, dirt, or water stuck to the connector pins (mating portion).
 Check that there is no deformation, defective contact, corrosion, or damage to the connector pins.
 Check that there is no damage or breakage to the outside of the connector.

- ★ If there is any oil, water, or dirt stuck to the connector, wipe it off with a dry cloth. If any water has got inside the connector, warm the inside of the wiring with a dryer, but be careful not to make it too hot as this will cause short circuits.
- ★ If there is any damage or breakage, replace the connector.

- 2] Fix the connector securely.
 Align the position of the connector correctly, and then insert it securely. For connectors with the lock stopper, push in the connector until the stopper clicks into position.

- 3] Correct any protrusion of the boot and any misalignment of the wiring harness.

- For connectors fitted with boots, correct any protrusion of the boot. In addition, if the wiring harness is misaligned, or the clamp is out of position, adjust it to its correct position.
- ★ If the connector cannot be corrected easily, remove the clamp and adjust the position.
 - If the connector clamp has been removed, be sure to return it to its original position. Check also that there are no loose clamps.



3) Heavy duty wire connector (DT 8-pole, 12-pole)

Disconnection (Left of figure)

While pressing both sides of locks (a) and (b), pull out female connector (2).

Connection (Right of figure)

1] Push in female connector (2) horizontally until the lock clicks.

Arrow: 1)

2] Since locks (a) and (b) may not be set completely, push in female connector (2) while moving it up and down until the locks are set normally.

Arrow: 1), 2), 3)

★ Right of figure: Lock (a) is pulled down (not set completely) and lock (b) is set completely.

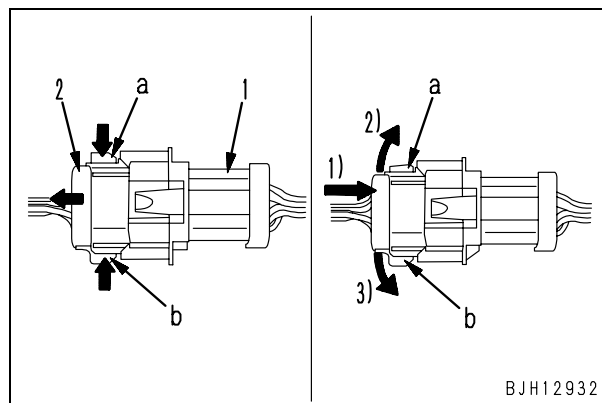
(1): Male connector

(2): Female connector

(a), (b): Locks

● Disconnection

● Connection (Example of incomplete setting of (a))



4) Drying wiring harness

If there is any oil or dirt on the wiring harness, wipe it off with a dry cloth. Avoid washing it in water or using steam. If the connector must be washed in water, do not use high-pressure water or steam directly on the wiring harness. If water gets directly on the connector, do as follows.

1] Disconnect the connector and wipe off the water with a dry cloth.

- ★ If the connector is blown dry with compressed air, there is the risk that oil in the air may cause defective contact, so remove all oil and water from the compressed air before blowing with air.

2] Dry the inside of the connector with a dryer.

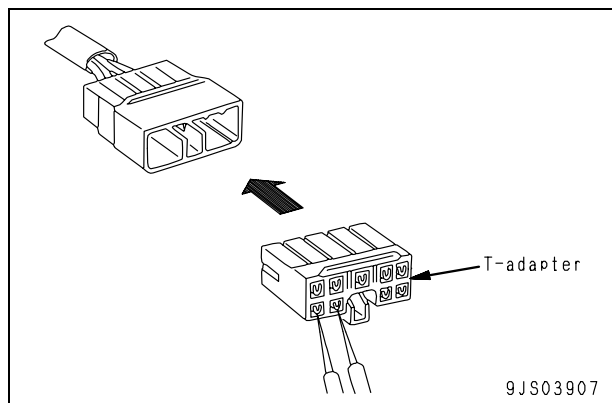
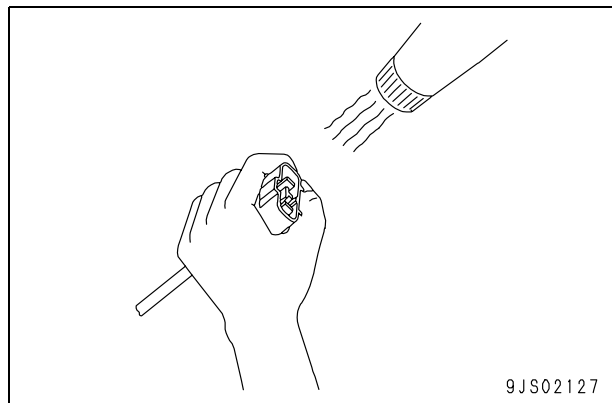
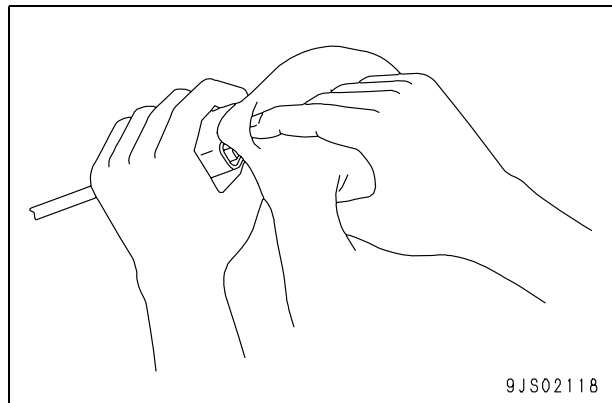
If water gets inside the connector, use a dryer to dry the connector.

- ★ Hot air from the dryer can be used, but regulate the time that the hot air is used in order not to make the connector or related parts too hot, as this will cause deformation or damage to the connector.

3] Carry out a continuity test on the connector.

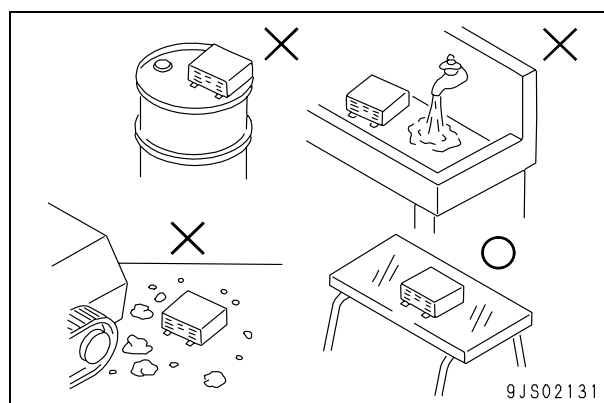
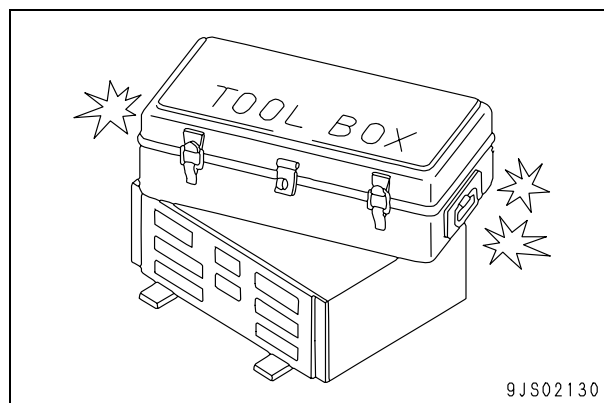
After drying, leave the wiring harness disconnected and carry out a continuity test to check for any short circuits between pins caused by water.

- ★ After completely drying the connector, blow it with contact restorer and reassemble.



4. Handling controller

- 1) The controller contains a microcomputer and electronic control circuits. These control all of the electronic circuits on the machine, so be extremely careful when handling the controller.
- 2) Do not place objects on top of the controller.
- 3) Cover the control connectors with tape or a vinyl bag. Never touch the connector contacts with your hand.
- 4) During rainy weather, do not leave the controller in a place where it is exposed to rain.
- 5) Do not place the controller on oil, water, or soil, or in any hot place, even for a short time. (Place it on a suitable dry stand).
- 6) Precautions when carrying out arc welding
When carrying out arc welding on the body, disconnect all wiring harness connectors connected to the controller. Fit an arc welding ground close to the welding point.



5. Points to remember when troubleshooting electric circuits

- 1) Always turn the power OFF before disconnecting or connecting connectors.
- 2) Before carrying out troubleshooting, check that all the related connectors are properly inserted.
 - ★ Disconnect and connect the related connectors several times to check.
- 3) Always connect any disconnected connectors before going on to the next step.
 - ★ If the power is turned ON with the connectors still disconnected, unnecessary abnormality displays will be generated.
- 4) When carrying out troubleshooting of circuits (measuring the voltage, resistance, continuity, or current), move the related wiring and connectors several times and check that there is no change in the reading of the tester.
 - ★ If there is any change, there is probably defective contact in that circuit.

Points to remember when handling hydraulic equipment

With the increase in pressure and precision of hydraulic equipment, the most common cause of failure is dirt (foreign material) in the hydraulic circuit. When adding hydraulic oil, or when disassembling or assembling hydraulic equipment, it is necessary to be particularly careful.

1. Be careful of the operating environment.

Avoid adding hydraulic oil, replacing filters, or repairing the machine in rain or high winds, or places where there is a lot of dust.

2. Disassembly and maintenance work in the field

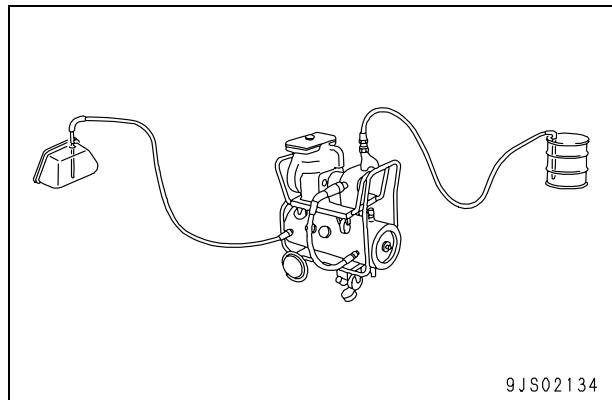
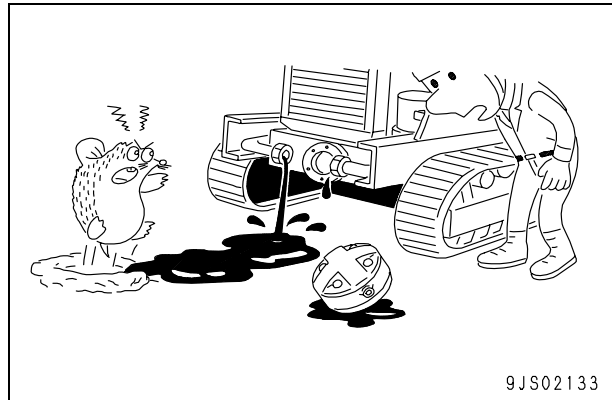
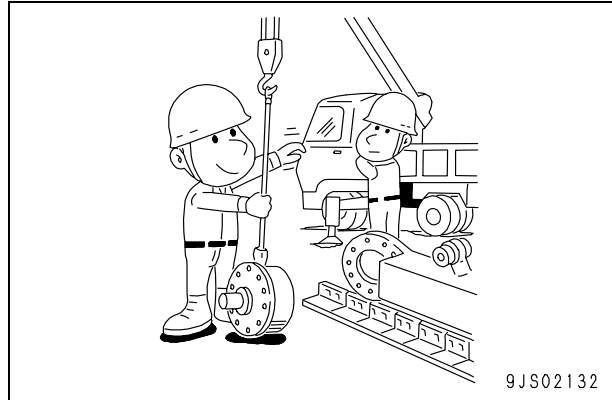
If disassembly or maintenance work is carried out on hydraulic equipment in the field, there is danger of dust entering the equipment. It is also difficult to check the performance after repairs, so it is desirable to use unit exchange. Disassembly and maintenance of hydraulic equipment should be carried out in a specially prepared dustproof workshop, and the performance should be checked with special test equipment.

3. Sealing openings

After any piping or equipment is removed, the openings should be sealed with caps, tapes, or vinyl bags to prevent any dirt or dust from entering. If the opening is left open or is blocked with a rag, there is danger of dirt entering or of the surrounding area being made dirty by leaking oil so never do this. Do not simply drain oil out onto the ground, but collect it and ask the customer to dispose of it, or take it back with you for disposal.

4. Do not let any dirt or dust get in during refilling operations

Be careful not to let any dirt or dust get in when refilling with hydraulic oil. Always keep the oil filler and the area around it clean, and also use clean pumps and oil containers. If an oil cleaning device is used, it is possible to filter out the dirt that has collected during storage, so this is an even more effective method.

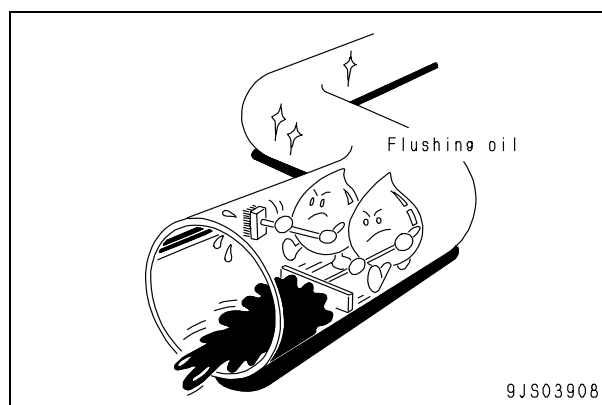


5. Change hydraulic oil when the temperature is high

When hydraulic oil or other oil is warm, it flows easily. In addition, the sludge can also be drained out easily from the circuit together with the oil, so it is best to change the oil when it is still warm. When changing the oil, as much as possible of the old hydraulic oil must be drained out. (Drain the oil from the hydraulic tank; also drain the oil from the filter and from the drain plug in the circuit.) If any old oil is left, the contaminants and sludge in it will mix with the new oil and will shorten the life of the hydraulic oil.

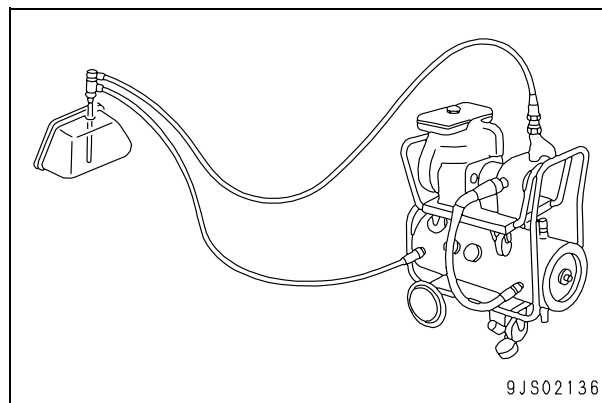
6. Flushing operations

After disassembling and assembling the equipment, or changing the oil, use flushing oil to remove the contaminants, sludge, and old oil from the hydraulic circuit. Normally, flushing is carried out twice: primary flushing is carried out with flushing oil, and secondary flushing is carried out with the specified hydraulic oil.



7. Cleaning operations

After repairing the hydraulic equipment (pump, control valve, etc.) or when running the machine, carry out oil cleaning to remove the sludge or contaminants in the hydraulic oil circuit. The oil cleaning equipment is used to remove the ultra fine (about 3 μ) particles that the filter built in the hydraulic equipment cannot remove, so it is an extremely effective device.



Handling of connectors newly used for engines

★ Mainly, following engines are object for following connectors.

- 95E-5
- 107E-1
- 114E-3
- 125E-5
- 140E-5
- 170E-5
- 12V140E-3

1. Slide lock type (FRAMATOME-3, FRAMATOME-2)

- 95 – 170, 12V140 engines
 - Various pressure sensors and NE speed sensor

Examples)

Intake air pressure sensor in intake manifold: PIM
 (125, 170, 12V140 engines)

Oil pressure sensor: POIL
 (125, 170, 12V140 engines)

Oil pressure switch
 (95, 107, 114 engines)

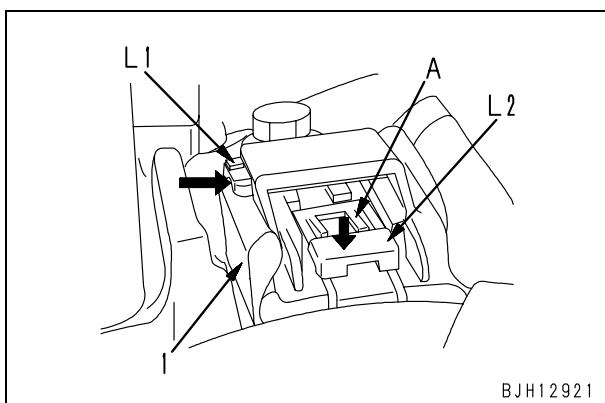
Ne speed sensor of flywheel housing: NE
 (95 – 170, 12V140 engines)

Ambient pressure sensor: PAMB
 (125, 170, 12V140 engines)

Disconnect connector (1) according to the following procedure.

- 1) Slide lock (L1) to the right.
- 2) While pressing lock (L2), pull out connector (1) toward you.

★ Even if lock (L2) is pressed, connector (1) cannot be pulled out toward you, if part A does not float. In this case, float part A with a small screwdriver while press lock (L2), and then pull out connector (1) toward you.



2. Pull lock type (PACKARD-2)

- 95 – 170, 12V140 engines
 - Various temperature sensors

Example)

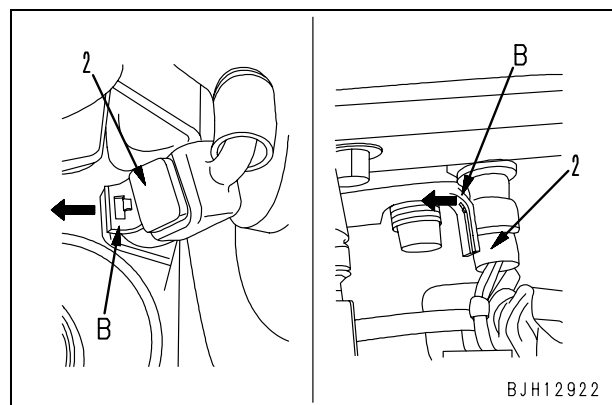
Intake air temperature sensor in intake manifold: TIM

Fuel temperature sensor: TFUEL

Oil temperature sensor: TOIL

Coolant temperature sensor: TWTR, etc.

Disconnect the connector by pulling lock (B) (on the wiring harness side) of connector (2) outward.



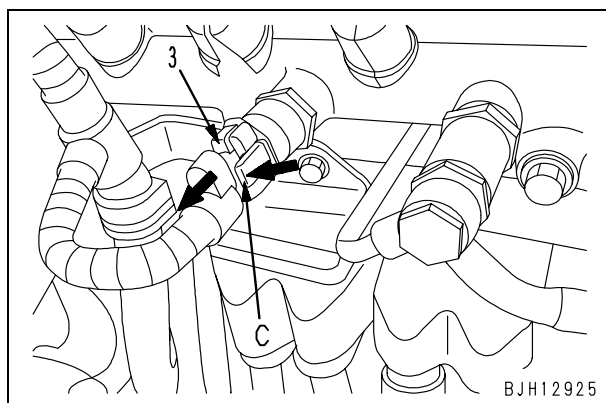
3. Push lock type

- 95, 107, 114 engines
Example)
Fuel pressure sensor in common rail
(**BOSCH-03**)

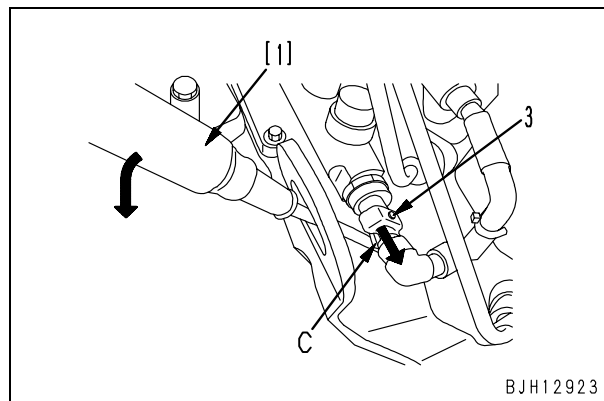
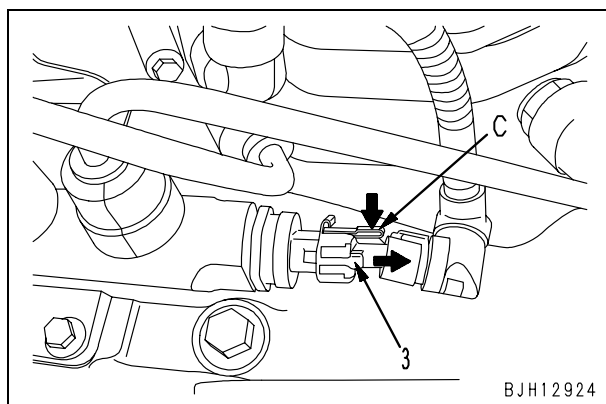
Disconnect connector (3) according to the following procedure.

- 1) While pressing lock (C), pull out connector (3) in the direction of the arrow.

- 114 engine

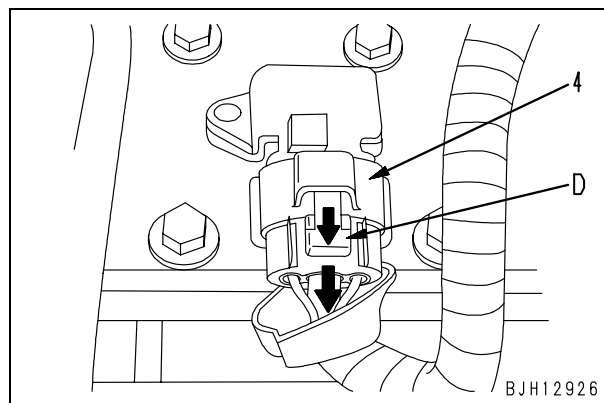


- 107 engine



- 107, 114 engines
Example)
Intake air pressure/temperature sensor in intake manifold
(**SUMITOMO-04**)

- 3) While pressing lock (D), pull out connector (4) in the direction of the arrow.

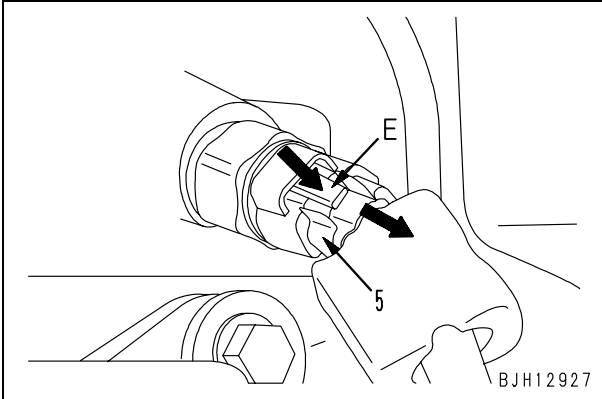


★ If the lock is on the underside, use flat-head screwdriver [1] since you cannot insert your fingers.

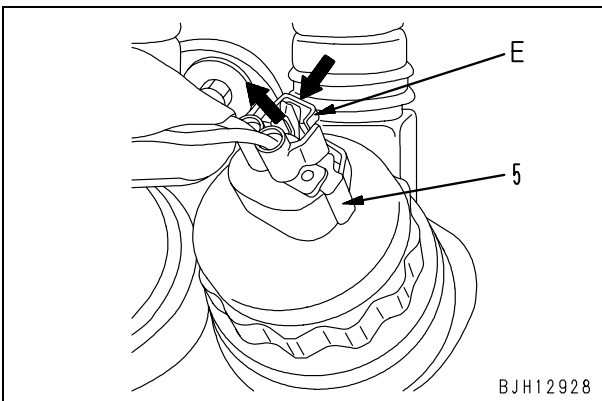
- 2) While pressing up lock (C) of the connector with flat-head screwdriver [1], pull out connector (3) in the direction of the arrow.

- 95, 125 – 170, 12V140 engines
- 4) While pressing lock (E) of the connector, pull out connector (5) in the direction of the arrow.

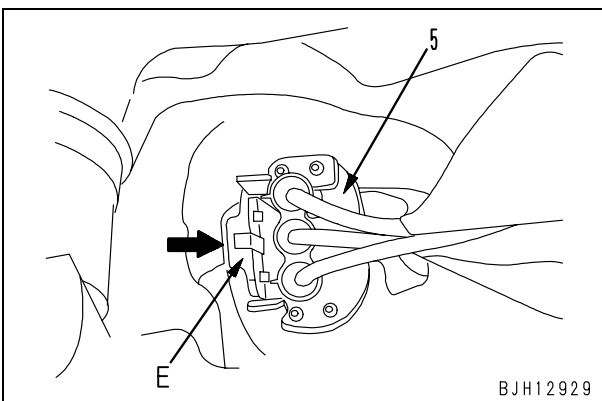
Example)
 Fuel pressure sensor in common rail:
 PFUEL etc. **(AMP-3)**



Example)
 Injection pressure control valve of fuel supply pump: PCV **(SUMITOMO-2)**



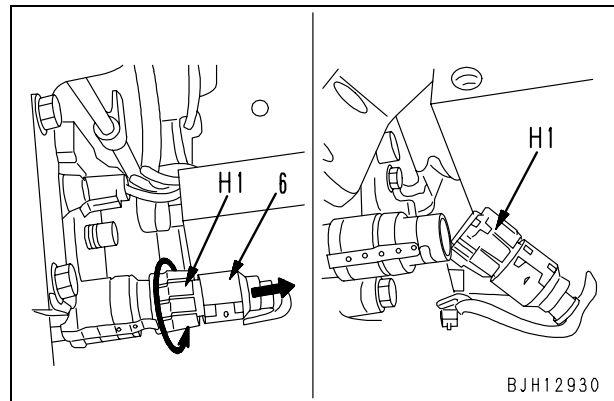
Example)
 Speed sensor of fuel supply pump:
 G **(SUMITOMO-3)**
 ★ Pull the connector straight up.



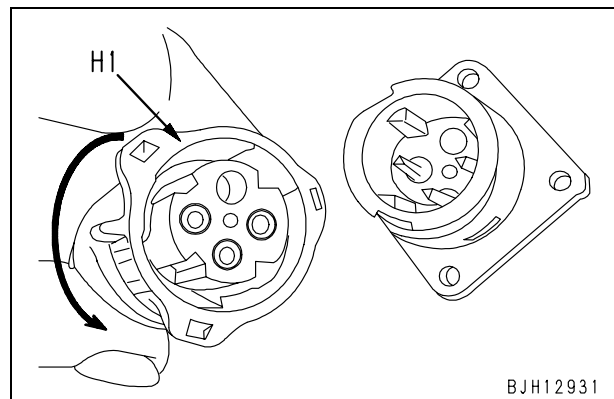
4. Turn-housing type (Round green connector)

- 140 engine
 Example)
 Intake air pressure sensor in intake manifold (CANNON-04): PIM etc.

- 1) Disconnect connector (6) according to the following procedure.
 - 1] Turn housing (H1) in the direction of the arrow.
 - ★ When connector is unlocked, housing (H1) becomes heavy to turn.
 - 2] Pull out housing (H1) in the direction of the arrow.
 - ★ Housing (H1) is left on the wiring harness side.



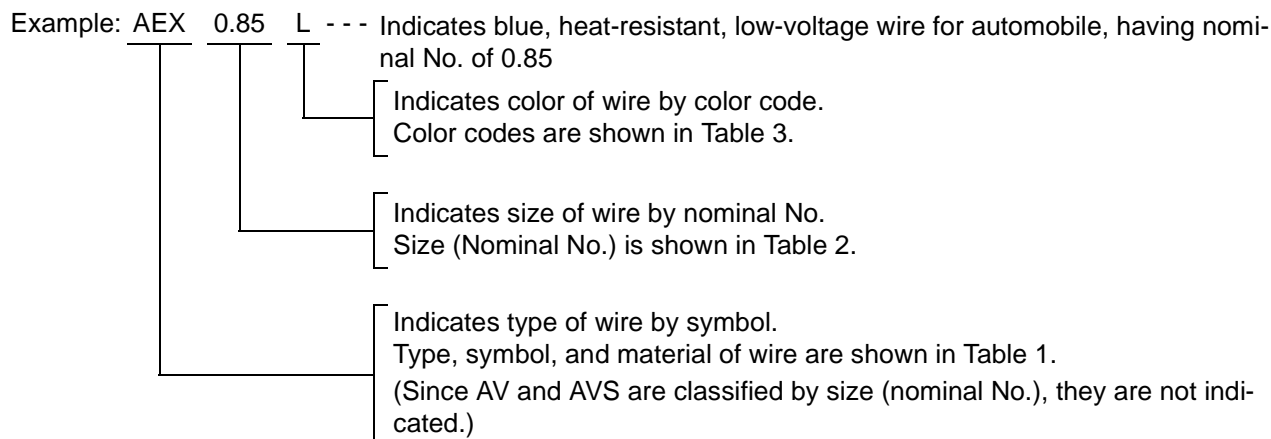
- 2) Connect the connector according to the following procedure.
 - 1] Insert the connector to the end, while setting its groove.
 - 2] Turn housing (H1) in the direction of the arrow until it "clicks".



How to read electric wire code

- ★ The information about the wires unique to each machine model is described in Troubleshooting section, Relational information of troubleshooting.

In the electric circuit diagram, the material, thickness, and color of each electric wire are indicated by symbols. The electric wire code is helpful in understanding the electric circuit diagram.



1. Type, symbol, and material

AV and AVS are different in only thickness and outside diameter of the cover. AEX is similar to AV in thickness and outside diameter of AEX and different from AV and AVS in material of the cover.

(Table 1)

Type	Sym- bol	Material		Using temperature range (°C)	Example of use
Low-voltage wire for automobile	AV	Conduc- tor	Annealed copper for elec- tric appliance	-30 to +60	General wiring (Nominal No. 5 and above)
		Insulator	Soft polyvinyl chloride		
Thin-cover low-voltage wire for automobile	AVS	Conduc- tor	Annealed copper for elec- tric appliance		
		Insulator	Soft polyvinyl chloride		General wiring (Nominal No. 3 and below)
Heat-resis- tant low-volt- age wire for automobile	AEX	Conduc- tor	Annealed copper for elec- tric appliance	-50 to +110	General wiring in extremely cold district, wiring at high-tem- perature place
		Insulator	Heat-resistant crosslinked polyethylene		

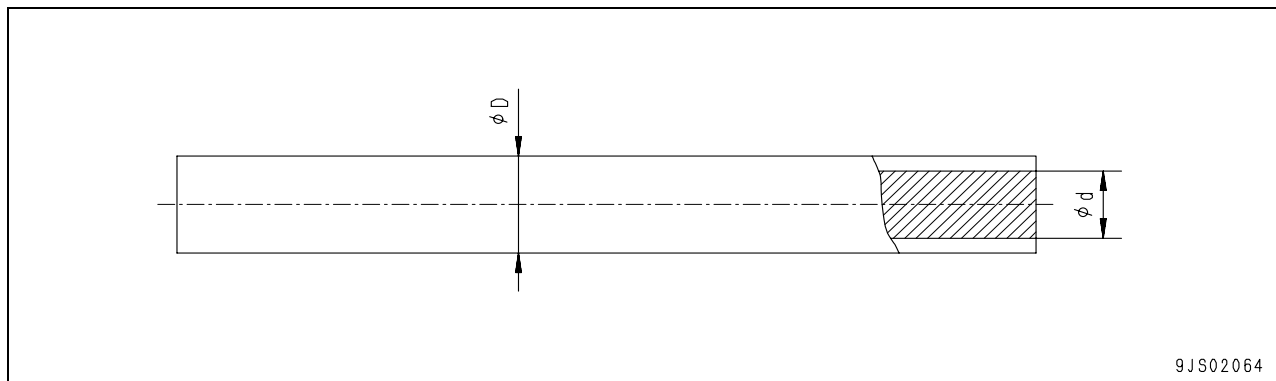
2. Dimensions

(Table 2)

Nominal No.		0.5f	(0.5)	0.75f	(0.85)	1.25f	(1.25)	2f	2	3f	3	5
Conductor	Number of strands/Diameter of strand	20/0.18	7/0.32	30/0.18	11/0.32	50/0.18	16/0.32	37/0.26	26/0.32	58/0.26	41/0.32	65/0.32
	Sectional area (mm ²)	0.51	0.56	0.76	0.88	1.27	1.29	1.96	2.09	3.08	3.30	5.23
	d (approx.)	1.0		1.2		1.5		1.9	1.9	2.3	2.4	3.0
Cover D	AVS Standard	2.0		2.2		2.5		2.9	2.9	3.5	3.6	–
	AV Standard	–		–		–		–	–	–	–	4.6
	AEX Standard	2.0		2.2		2.7		3.0	3.1	–	3.8	4.6

Nominal No.		8	15	20	30	40	50	60	85	100
Conductor	Number of strands/Diameter of strand	50/0.45	84/0.45	41/0.80	70/0.80	85/0.80	108/0.80	127/0.80	169/0.80	217/0.80
	Sectional area (mm ²)	7.95	13.36	20.61	35.19	42.73	54.29	63.84	84.96	109.1
	d (approx.)	3.7	4.8	6.0	8.0	8.6	9.8	10.4	12.0	13.6
Cover D	AVS Standard	–	–	–	–	–	–	–	–	–
	AV Standard	5.5	7.0	8.2	10.8	11.4	13.0	13.6	16.0	17.6
	AEX Standard	5.3	7.0	8.2	10.8	11.4	13.0	13.6	16.0	17.6

“f” of nominal No. denotes flexible”.



9JS02064

3. Color codes table

(Table 3)

Color Code	Color of wire	Color Code	Color of wire
B	Black	LgW	Light green & White
Br	Brown	LgY	Light green & Yellow
BrB	Brown & Black	LR	Blue & Red
BrR	Brown & Red	LW	Blue & White
BrW	Brown & White	LY	Blue & Yellow
BrY	Brown & Yellow	O	Orange
Ch	Charcoal	P	Pink
Dg	Dark green	R	Red
G	Green	RB	Red & Black
GB	Green & Black	RG	Red & Green
GL	Green & Blue	RL	Red & Blue
Gr	Gray	RW	Red & White
GR	Green & Red	RY	Red & Yellow
GW	Green & White	Sb	Sky Blue
GY	Green & Yellow	Y	Yellow
L	Blue	YB	Yellow & Black
LB	Blue & Black	YG	Yellow & Green
Lg	Light green	YL	Yellow & Blue
LgB	Light green & Black	YR	Yellow & Red
LgR	Light green & Red	YW	Yellow & White

Remarks: In a color code consisting of 2 colors, the first color is the color of the background and the second color is the color of the marking.
Example: "GW" means that the background is Green and marking is White.

4. Types of circuits and color codes

(Table 4)

Type of wire		AVS or AV						AEX	
Type of circuit	Charge	R	WG	-	-	-	-	R	-
	Ground	B	-	-	-	-	-	B	-
	Start	R	-	-	-	-	-	R	-
	Light	RW	RB	RY	RG	RL	-	D	-
	Instrument	Y	YR	YB	YG	YL	YW	Y	Gr
	Signal	G	GW	GR	GY	GB	GL	G	Br
	Others	L	LW	LR	LY	LB	-	L	-
		Br	BrW	BrR	BrY	BrB	-	-	-
		Lg	LgR	LgY	LgB	LgW	-	-	-
		O	-	-	-	-	-	-	-
		Gr	-	-	-	-	-	-	-
		P	-	-	-	-	-	-	-
		Sb	-	-	-	-	-	-	-
Dg	-	-	-	-	-	-	-		
Ch	-	-	-	-	-	-	-		

Precautions when carrying out operation

[When carrying out removal or installation (disassembly or assembly) of units, be sure to follow the general precautions given below when carrying out the operation.]

1. Precautions when carrying out removal work

- If the coolant contains antifreeze, dispose of it correctly.
- After disconnecting hoses or tubes, cover them or fit plugs to prevent dirt or dust from entering.
- When draining oil, prepare a container of adequate size to catch the oil.
- Confirm the match marks showing the installation position, and make match marks in the necessary places before removal to prevent any mistake when assembling.
- To prevent any excessive force from being applied to the wiring, always hold the connectors when disconnecting the connectors. Do not pull the wires.
- Fit wires and hoses with tags to show their installation position to prevent any mistake when installing.
- Check the number and thickness of the shims, and keep in a safe place.
- When raising components, be sure to use lifting equipment of ample strength.
- When using forcing screws to remove any components, tighten the forcing screws uniformly in turn.
- Before removing any unit, clean the surrounding area and fit a cover to prevent any dust or dirt from entering after removal.

★ Precautions when handling piping during disassembly

Fit the following plugs into the piping after disconnecting it during disassembly operations.

1) Face seal type hoses and tubes

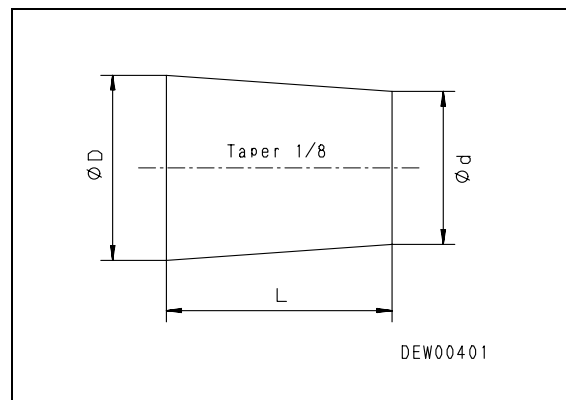
Nominal number	Plug (nut end)	Sleeve nut (elbow end)
02	07376-70210	02789-20210
03	07376-70315	02789-20315
04	07376-70422	02789-20422
05	07376-70522	02789-20522
06	07376-70628	02789-20628
10	07376-71034	07221-21034
12	07376-71234	07221-21234

2) Split flange type hoses and tubes

Nominal number	Flange (hose end)	Sleeve head (tube end)	Split flange
04	07379-00400	07378-10400	07371-30400
05	07379-00500	07378-10500	07371-30500

3) If the part is not under hydraulic pressure, the following corks can be used.

Nominal number	Part Number	Dimensions		
		D	d	L
06	07049-00608	6	5	8
08	07049-00811	8	6.5	11
10	07049-01012	10	8.5	12
12	07049-01215	12	10	15
14	07049-01418	14	11.5	18
16	07049-01620	16	13.5	20
18	07049-01822	18	15	22
20	07049-02025	20	17	25
22	07049-02228	22	18.5	28
24	07049-02430	24	20	30
27	07049-02734	27	22.5	34



2. Precautions when carrying out installation work

- Tighten all bolts and nuts (sleeve nuts) to the specified (KES) torque.
 - Install the hoses without twisting or interference and fix them with intermediate clamps, if there are any.
 - Replace all gaskets, O-rings, cotter pins, and lock plates with new parts.
 - Bend the cotter pins and lock plates securely.
 - When coating with adhesive, clean the part and remove all oil and grease, then coat the threaded portion with 2 – 3 drops of adhesive.
 - When coating with gasket sealant, clean the surface and remove all oil and grease, check that there is no dirt or damage, then coat uniformly with gasket sealant.
 - Clean all parts, and correct any damage, dents, burrs, or rust.
 - Coat rotating parts and sliding parts with engine oil.
 - When press fitting parts, coat the surface with anti-friction compound (LM-P).
 - After fitting snap rings, check that the snap ring is fitted securely in the ring groove.
 - When connecting wiring connectors, clean the connector to remove all oil, dirt, or water, then connect securely.
 - When using eyebolts, check that there is no deformation or deterioration, screw them in fully, and align the direction of the hook.
 - When tightening split flanges, tighten uniformly in turn to prevent excessive tightening on one side.
- ★ When operating the hydraulic cylinders for the first time after reassembling cylinders, pumps and other hydraulic equipment removed for repair, always bleed the air as follows:
- 1) Start the engine and run at low idle.
 - 2) Operate the work equipment control lever to operate the hydraulic cylinder 4 – 5 times, stopping the cylinder 100 mm from the end of its stroke.
 - 3) Next, operate the hydraulic cylinder 3 – 4 times to the end of its stroke.
 - 4) After doing this, run the engine at normal speed.
- ★ When using the machine for the first time after repair or long storage, follow the same procedure.

3. Precautions when completing the operation

- 1) Refilling with coolant, oil and grease
 - If the coolant has been drained, tighten the drain valve, and add coolant to the specified level. Run the engine to circulate the coolant through the system. Then check the coolant level again.
 - If the hydraulic equipment has been removed and installed again, add engine oil to the specified level. Run the engine to circulate the oil through the system. Then check the oil level again.
 - If the piping or hydraulic equipment have been removed, always bleed the air from the system after reassembling the parts.
 - ★ For details, see Testing and adjusting, “Bleeding air”.
 - Add the specified amount of grease (molybdenum disulphide grease) to the work equipment parts.
- 2) Checking cylinder head and manifolds for looseness

Check the cylinder head and intake and exhaust manifold for looseness.
If any part is loosened, retighten it.

 - For the tightening torque, see “Disassembly and assembly”.
- 3) Checking engine piping for damage and looseness

Intake and exhaust system

Check the piping for damage, the mounting bolts and nuts for looseness, and the joints for air suction and exhaust gas leakage.
If any part is loosened or damaged, retighten or repair it.

Cooling system

Check the piping for damage, the mounting bolts and nuts for looseness, and the joints for coolant leakage.
If any part is loosened or damaged, retighten or repair it.

Fuel system

Check the piping for damage, the mounting bolts and nuts for looseness, and the joints for fuel leakage.
If any part is loosened or damaged, retighten or repair it.

- 4) Checking muffler and exhaust pipe for damage and looseness
 - 1] Visually check the muffler, exhaust pipe and their mounting parts for a crack and damage.
If any part is damaged, replace it.
 - 2] Check the mounting bolts and nuts of the muffler, exhaust pipe and their mounting parts for looseness.
If any bolt or nut is loosened, retighten it.
- 5) Checking muffler function
Check the muffler for abnormal sound and sound different from that of a new muffler.
If any abnormal sound is heard, repair the muffler, referring to "Troubleshooting" and "Disassembly and assembly".

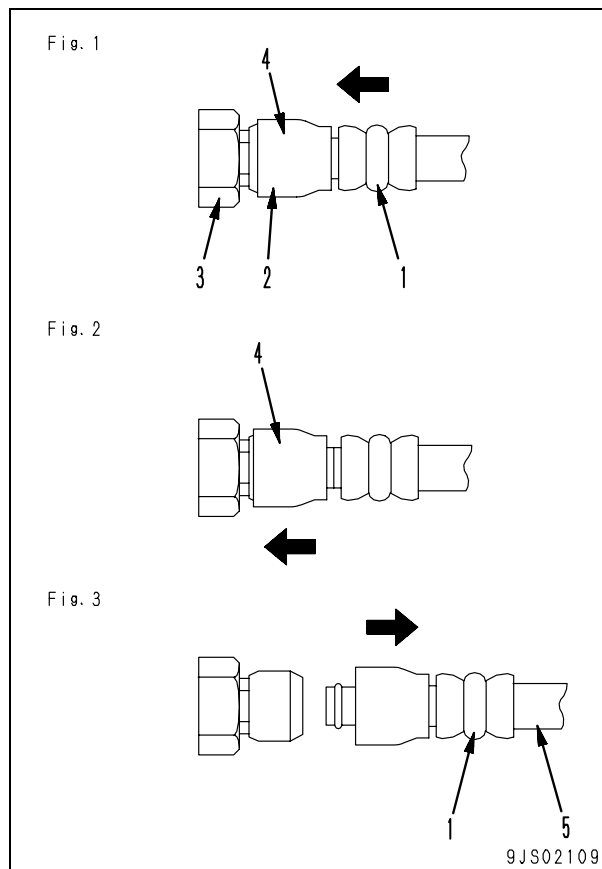
Method of disassembling and connecting push-pull type coupler

- ⚠ Before carrying out the following work, loosen the oil filler cap of the hydraulic tank gradually to release the residual pressure from the hydraulic tank.
- ⚠ Even if the residual pressure is released from the hydraulic tank, some hydraulic oil flows out when the hose is disconnected. Accordingly, prepare an oil receiving container.

Type 1

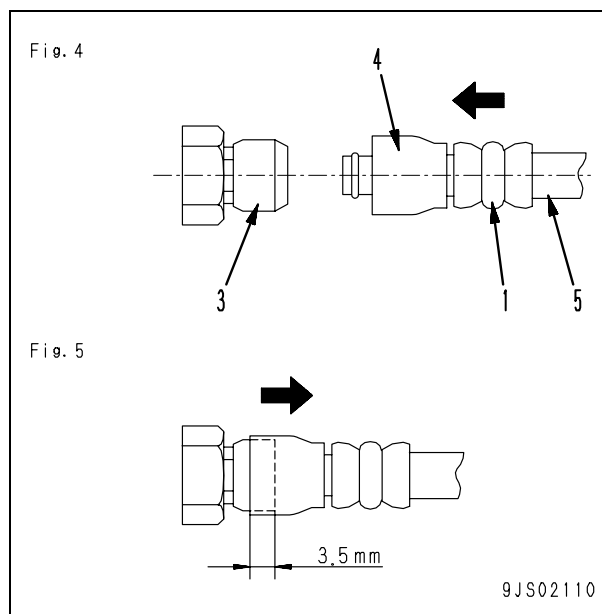
1. Disconnection

- 1) Hold adapter (1) and push hose joint (2) into mating adapter (3). (Fig. 1)
 - ★ The adapter can be pushed in about 3.5 mm.
 - ★ Do not hold rubber cap portion (4).
- 2) After hose joint (2) is pushed into adapter (3), press rubber cap portion (4) against adapter (3) until it clicks. (Fig. 2)
- 3) Hold hose adapter (1) or hose (5) and pull it out. (Fig. 3)
 - ★ Since some hydraulic oil flows out, prepare an oil receiving container.



2. Connection

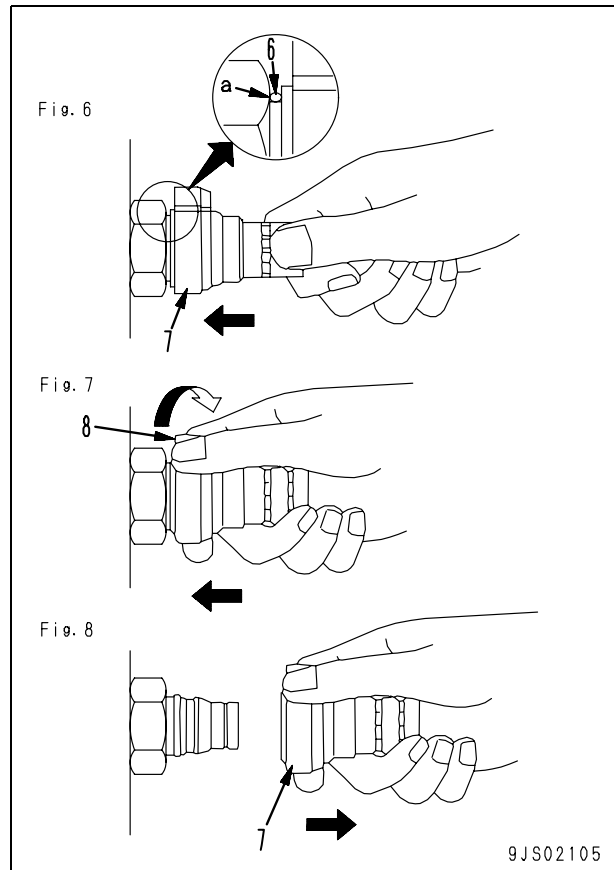
- 1) Hold hose adapter (1) or hose (5) and insert it in mating adapter (3), aligning them with each other. (Fig. 4)
 - ★ Do not hold rubber cap portion (4).
- 2) After inserting the hose in the mating adapter perfectly, pull it back to check its connecting condition. (Fig. 5)
 - ★ When the hose is pulled back, the rubber cap portion moves toward the hose about 3.5 mm. This does not indicate abnormality, however.



Type 2

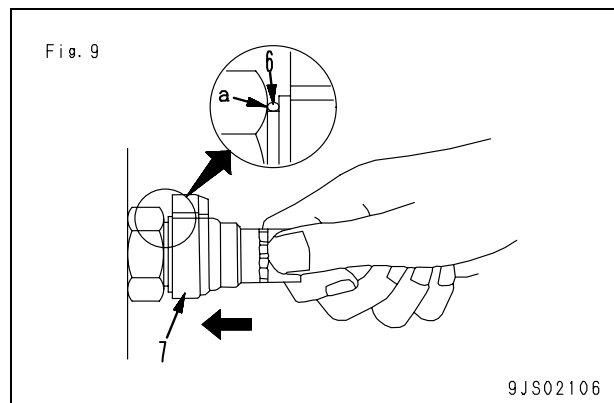
1. Disconnection

- 1) Hold the tightening portion and push body (7) straight until sliding prevention ring (6) contacts contact surface (a) of the hexagonal portion at the male end. (Fig. 6)
- 2) While holding the condition of Step 1), turn lever (8) to the right (clockwise). (Fig. 7)
- 3) While holding the condition of Steps 1) and 2), pull out whole body (7) to disconnect it. (Fig. 8)



2. Connection

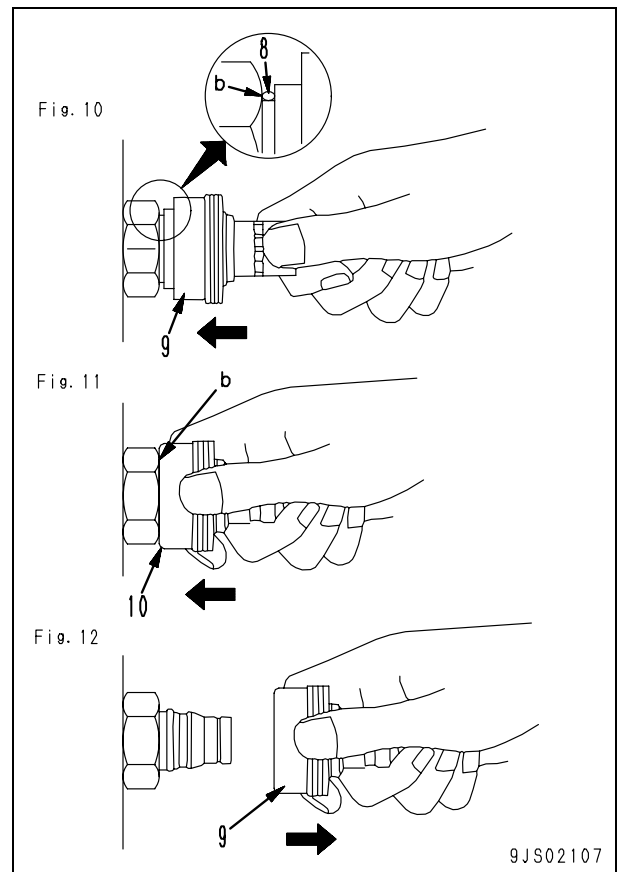
- Hold the tightening portion and push body (7) straight until sliding prevention ring (6) contacts contact surface (a) of the hexagonal portion at the male end. (Fig. 9)



Type 3

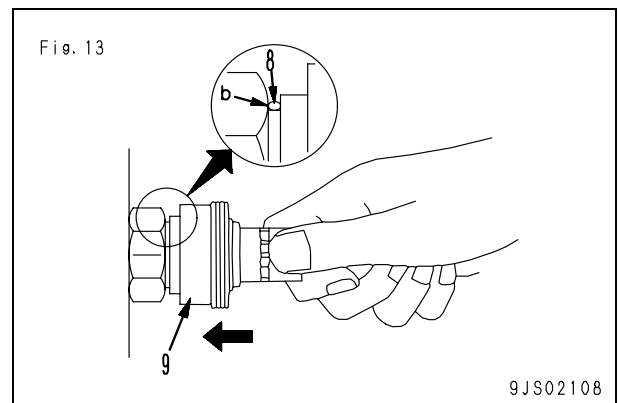
1. Disconnection

- 1) Hold the tightening portion and push body (9) straight until sliding prevention ring (8) contacts contact surface (b) of the hexagonal portion at the male end. (Fig. 10)
- 2) While holding the condition of Step 1), push cover (10) straight until it contacts contact surface (b) of the hexagonal portion at the male end. (Fig. 11)
- 3) While holding the condition of Steps 1) and 2), pull out whole body (9) to disconnect it. (Fig. 12)



2. Connection

- Hold the tightening portion and push body (9) straight until the sliding prevention ring contacts contact surface (b) of the hexagonal portion at the male end. (Fig. 13)



Standard tightening torque table

1. Table of tightening torques for bolts and nuts

★ Unless there are special instructions, tighten metric nuts and bolts to the torque below.

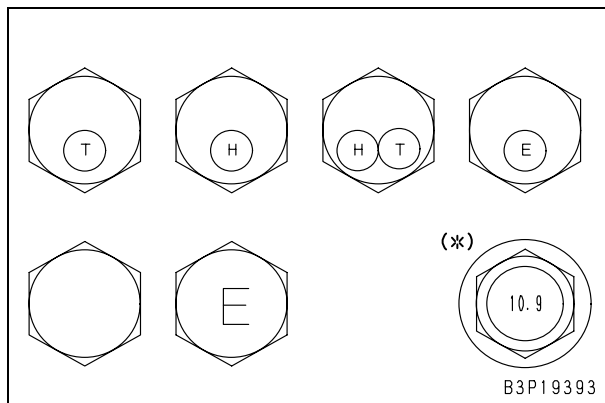
★ The following table applies to the bolts in Fig. A.

Thread diameter of bolt mm	Width across flats mm	Tightening torque	
		Nm	kgm
6	10	11.8 – 14.7	1.2 – 1.5
8	13	27 – 34	2.8 – 3.5
10	17	59 – 74	6.0 – 7.5
12	19	98 – 123	10.0 – 12.5
14	22	157 – 196	16 – 20
16	24	245 – 309	25 – 31.5
18	27	343 – 427	35 – 43.5
20	30	490 – 608	50 – 62
22	32	662 – 829	67.5 – 84.5
24	36	824 – 1,030	84 – 105
27	41	1,180 – 1,470	120 – 150
30	46	1,520 – 1,910	155 – 195
33	50	1,960 – 2,450	200 – 250
36	55	2,450 – 3,040	250 – 310
39	60	2,890 – 3,630	295 – 370

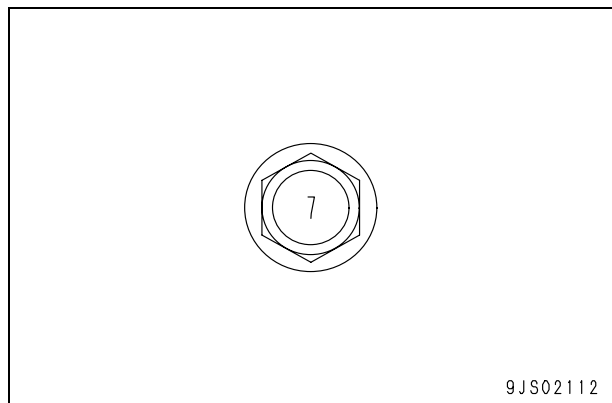
★ The following table applies to the bolts in Fig. B.

Thread diameter of bolt mm	Width across flats mm	Tightening torque	
		Nm	kgm
6	10	5.9 – 9.8	0.6 – 1.0
8	12	13.7 – 23.5	1.4 – 2.4
10	14	34.3 – 46.1	3.5 – 4.7
12	17	74.5 – 90.2	7.6 – 9.2

★ Fig. A



★ Fig. B



Remarks: The widths across flats against the thread diameters of flanged bolts (marks with "*" in Fig. A are the ones indicated in the table for bolts shown in Fig. B.
(Values of tightening torques shown in the table for Fig. A are applied.)

2. Table of tightening torques for split flange bolts

★ Unless there are special instructions, tighten split flange bolts to the torque below.

Thread diameter of bolt mm	Width across flats mm	Tightening torque	
		Nm	kgm
10	14	59 – 74	6.0 – 7.5
12	17	98 – 123	10.0 – 12.5
16	22	235 – 285	23.5 – 29.5

3. Table of tightening torques for O-ring boss piping joints

★ Unless there are special instructions, tighten O-ring boss piping joints to the torque below.

Nominal No.	Thread diameter mm	Width across flats mm	Tightening torque Nm {kgm}	
			Range	Target
02	14	Varies depending on type of connector.	35 – 63 { 3.5 – 6.5}	44 { 4.5}
03,04	20		84 – 132 { 8.5 – 13.5}	103 {10.5}
05,06	24		128 – 186 {13.0 – 19.0}	157 {16.0}
10,12	33		363 – 480 {37.0 – 49.0}	422 {43.0}
14	42		746 – 1,010 {76.0 – 103}	883 {90.0}

4. Table of tightening torques for O-ring boss plugs

★ Unless there are special instructions, tighten O-ring boss plugs to the torque below.

Nominal No.	Thread diameter mm	Width across flats mm	Tightening torque Nm {kgm}	
			Range	Target
08	8	14	5.88 – 8.82 {0.6 – 0.9}	7.35 {0.75}
10	10	17	9.81 – 12.74 {1.0 – 1.3}	11.27 {1.15}
12	12	19	14.7 – 19.6 {1.5 – 2.0}	17.64 {1.8}
14	14	22	19.6 – 24.5 {2.0 – 2.5}	22.54 {2.3}
16	16	24	24.5 – 34.3 {2.5 – 3.5}	29.4 {3.0}
18	18	27	34.3 – 44.1 {3.5 – 4.5}	39.2 {4.0}
20	20	30	44.1 – 53.9 {4.5 – 5.5}	49.0 {5.0}
24	24	32	58.8 – 78.4 {6.0 – 8.0}	68.6 {7.0}
30	30	32	93.1 – 122.5 { 9.5 – 12.5}	107.8 {11.0}
33	33	–	107.8 – 147.0 {11.0 – 15.0}	127.4 {13.0}
36	36	36	127.4 – 176.4 {13.0 – 18.0}	151.9 {15.5}
42	42	–	181.3 – 240.1 {18.5 – 24.5}	210.7 {21.5}
52	52	–	274.4 – 367.5 {28.0 – 37.5}	323.4 {33.0}

5. Table of tightening torques for hoses (taper seal type and face seal type)

- ★ Unless there are special instructions, tighten the hoses (taper seal type and face seal type) to the torque below.
- ★ Apply the following torque when the threads are coated (wet) with engine oil.

Nominal No. of hose	Width across flats	Tightening torque Nm {kgm}		Taper seal Thread size (mm)	Face seal	
		Range	Target		Nominal No. – Number of threads, type of thread	Thread diameter (mm) (Reference)
02	19	34 – 54 { 3.5 – 5.5}	44 { 4.5}	–	9/16-18UN	14.3
		34 – 63 { 3.5 – 6.5}		14	–	–
03	22	54 – 93 { 5.5 – 9.5}	74 { 7.5}	–	11/16-16UN	17.5
	24	59 – 98 { 6.0 – 10.0}	78 { 8.0}	18	–	–
04	27	84 – 132 { 8.5 – 13.5}	103 {10.5}	22	13/16-16UN	20.6
05	32	128 – 186 {13.0 – 19.0}	157 {16.0}	24	1-14UNS	25.4
06	36	177 – 245 {18.0 – 25.0}	216 {22.0}	30	1-3/16-12UN	30.2
(10)	41	177 – 245 {18.0 – 25.0}	216 {22.0}	33	–	–
(12)	46	197 – 294 {20.0 – 30.0}	245 {25.0}	36	–	–
(14)	55	246 – 343 {25.0 – 35.0}	294 {30.0}	42	–	–

6. Table of tightening torques for face seal joints

- ★ Tighten the face seal joints (sleeve nut type) made of plated steel pipes for low pressure service to be used for engines etc. to the torque shown in the following table.
- ★ Apply the following torque to the face seal joint while their threaded parts are coated with engine oil (wetted).

Outer diameter of pipe (mm)	Width across flats (mm)	Tightening torque Nm {kgm}		Face seal	
		Range	Target	Nominal No. – Number of threads, type of thread	Thread diameter (mm) (Reference)
8	19	14 – 16 {1.4 – 1.6}	15 {1.5}	9/16-18UN	14.3
10	22	24 – 27 {2.4 – 2.7}	25.5 {2.6}	11/16-16UN	17.5
12	24 (27)	43 – 47 {4.4 – 4.8}	45 {4.6}	13/16-16UN	20.6
15 (16)	30 (32)	60 – 68 {6.1 – 6.8}	64 {6.5}	1-14UN	25.4
22 (20)	36	90 – 95 {9.2 – 9.7}	92.5 {9.4}	1-3/16-12UN	30.2

Reference: The face seal joints of the dimensions in () are also used, depending on the specification.

7. Table of tightening torques for 102, 107 and 114 engine series (Bolts and nuts)

- ★ Unless there are special instructions, tighten the metric bolts and nuts of the 102, 107 and 114 engine series to the torque below.

Thread size mm	Tightening torque	
	Bolts and nuts	
	Nm	kgm
6	10 ± 2	1.02 ± 0.20
8	24 ± 4	2.45 ± 0.41
10	43 ± 6	4.38 ± 0.61
12	77 ± 12	7.85 ± 1.22
14	—	—

This as a preview PDF file from best-manuals.com



Download full PDF manual at best-manuals.com